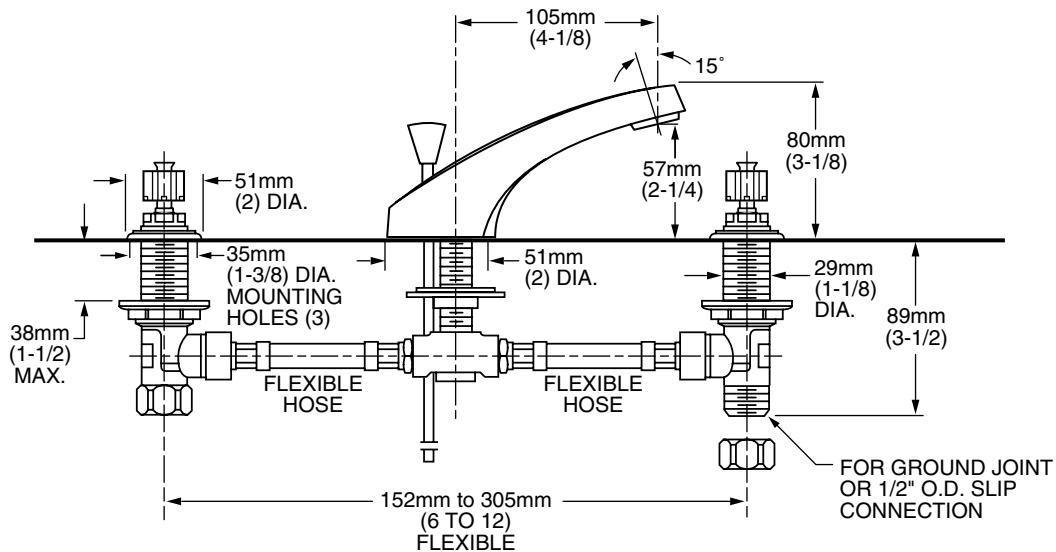


4801.000 Shown

MODEL NUMBER:

- ❑ **4800.000 6"-12" Widespread Lavatory Faucet**
1.5 gpm/5.7L/min pressure-compensating aerator.
Less Drain. Less handles.
- ❑ **4801.000 6"-12" Widespread Lavatory Faucet**
1.5 gpm/5.7L/min pressure-compensating aerator.
With pop-up drain. Less handles.
- ❑ **4802.000 6"-12" Widespread Lavatory Faucet**
1.5 gpm/5.7L/min pressure-compensating aerator.
With grid strainer drain. Less handles.

Handles must be ordered separately.



GENERAL DESCRIPTION:

Cast brass valve bodies with reinforced flexible hose connections for 6" to 12" (152mm to 305mm) installations. Amaris 1/4 turn washerless ceramic disc valve cartridges. Cast brass spout. One-half inch male inlet shanks with brass coupling nuts and shank nuts. All brass drain body with 1-1/4" (32mm) tailpiece. 1.5 gpm/5.7L/min. maximum flow rate.

PRODUCT FEATURES:

- Pressure Compensating Aerator:** Provides a constant water flow of 1.5 gpm throughout the pressure range.
- Brass Construction:** Durable - Excellent in high use applications. Ideal for prolonged contact with water.
- Ceramic Disc Valve Cartridges:** Assures a lifetime of drip-free performance.
- Low Lead:** Meets NSF Standard 61/Section 9 & Prop 65 lead requirements.

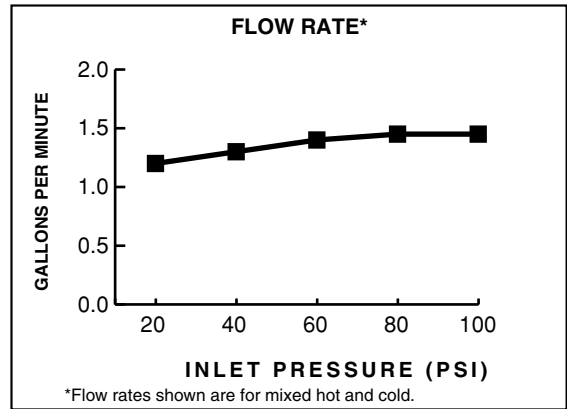
SUGGESTED SPECIFICATION:

Two handle widespread lavatory faucet shall feature cast brass valve bodies with reinforced flexible hose connections for 6" to 12" installations. All brass shank nuts and coupling nuts. Shall feature water-conserving 1.5 gpm/5.7L/min. pressure-compensating aerator. Shall also feature 1/4 turn washerless ceramic disc valve cartridges. Fitting shall be American Standard Model # 480_.000.002 and handle kit # 0000.____.

CODES AND STANDARDS

These products meet or exceed the following codes and standards:

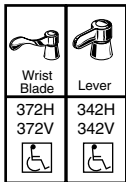
- ASME A112.18.1**
- CSA B 125**
- NSF 61/Section 9**



Product Number	Description	Finish
		Polished Chrome
		002
4800.000	Lavatory faucet. 1.5 gpm/5.7L/min pressure-compensating aerator. Less drain. Less handles.	
4801.000	Lavatory faucet. 1.5 gpm/5.7L/min pressure-compensating aerator. Pop-up drain. Less handles.	
4802.000	Lavatory faucet. 1.5 gpm/5.7L/min pressure-compensating aerator. Grid strainer drain. Less handles.	

Handles must be ordered separately.

The above fittings will accept the following Amarelis-Series handles.



Meets the American Disabilities Act Guidelines and **ANSI A117.1** Requirements for the physically challenged.

Other Aerators Available:

Part Suffix	Description
V15	1.5 gpm Pressure Compensating Vandal-Resistant Aerator
L15	1.5 gpm Pressure Compensating Laminar Flow Outlet
LV15	1.5 gpm Pressure Compensating Vandal-Resistant Laminar Flow Outlet
V05	0.5 gpm Pressure Compensating Vandal-Resistant Spray