

JETBROOK™ 1.0 GPF BLOWOUT URINAL

- Vitreous china
- Front jetted, blowout-type flush action
- 21" Extended Lip
- 1-1/2" glazed trapway
- Low-consumption (3.8 Lpf/1.0 gpf)
- Flushing rim
- 1-1/4" inlet spud
- Outlet connection threaded 2" inside (NPTF)
- Wall hanger
- Fixture only
- Meets ANSI flush requirements at 1.0 GPF

6571.014 Top spud 2", outlet

6574.011 Back spud 2", outlet

Nominal Dimensions:

527 x 356 x 400mm
(20-3/4" x 14" x 16")

Recommended working pressure – between
20 psi at valve when flushing and 80 psi static

Compliance Certifications -

Meets or Exceeds the Following Specifications:

- ASME A112.19.2 for Vitreous China Fixtures

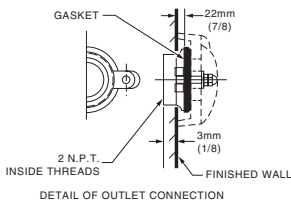
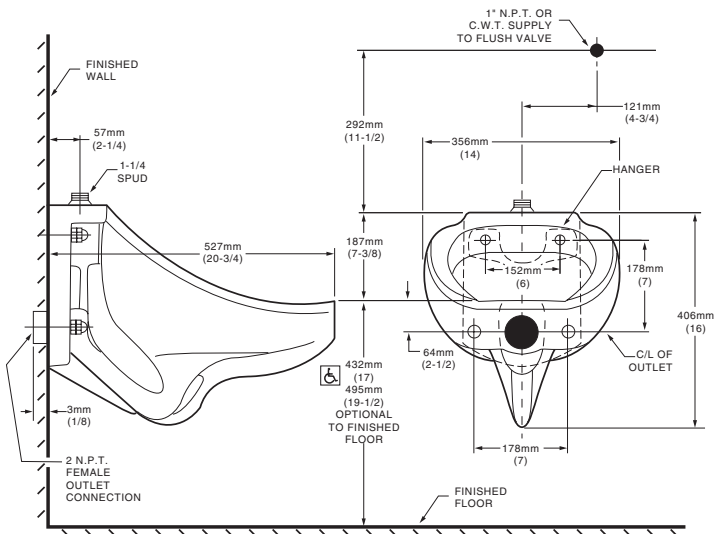


SEE REVERSE FOR ROUGHING-IN DIMENSIONS

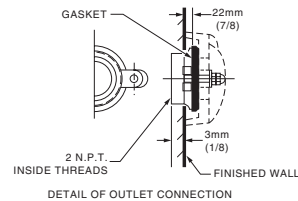
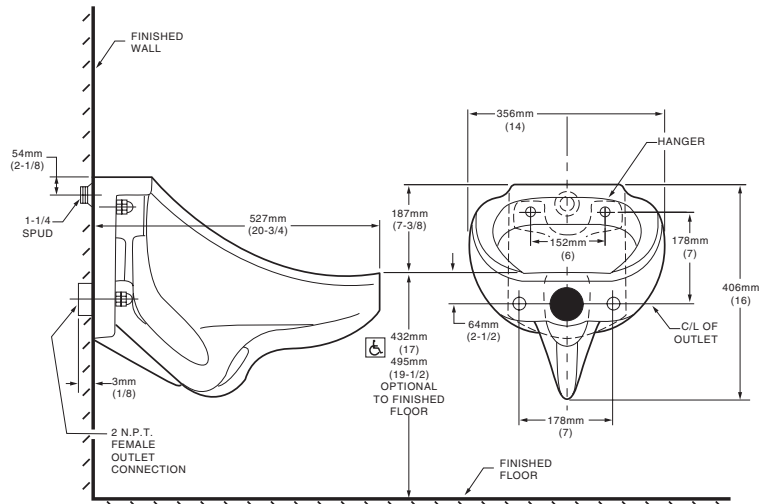
To Be Specified:

- Color: White Bone Silver Linen
- Flush Valve:
 - American Standard Selectronic™ #6063.101.002
DC Power (Top Spud)
 - American Standard Selectronic™ #6063.310.007
DC Power (Back Spud)
 - American Standard Selectronic™ #6062.310.007
AC Power (Back Spud)
 - American Standard Selectronic™ #6061.310.007
Multi AC Power (Back Spud)

6571.014 TOP SPUD



6574.011 BACK SPUD



MEETS THE AMERICANS WITH DISABILITIES ACT GUIDELINES AND ANSI A117.1 ACCESSIBLE AND USEABLE BUILDINGS AND FACILITIES - CHECK LOCAL CODES.

- When installed so top of rim is 432mm (17") from finished floor.

NOTES:

THIS URINAL IS DESIGNED FOR USE WITH FLUSH VALVE ONLY. FLUSH VALVE NOT INCLUDED WITH FIXTURE AND MUST BE ORDERED SEPARATELY. PROVIDE SUITABLE REINFORCEMENT FOR ALL WALL SUPPORTS.

IMPORTANT: Dimensions of fixtures are nominal and may vary within the range of tolerances established by ANSI Standard A112.19.2. These measurements are subject to change or cancellation. No responsibility is assumed for use of superseded or voided pages.