

RAPTOR TRIPOD

Instruction and Safety Manual

NEW! "From the Ground Up"[™] Instruction DVD included with this product. If you need further instruction on set up / take down, please refer to Instructional Chapter on the Main Menu.

Thank You! for purchasing Ameristep®
Non-Typical RAPTOR TRIPOD

! CAUTION: Maximum Tested Weight Capacity Limit for this Product is: **300 POUNDS**
(Including Accessories, Gear and Attire) **DO NOT** Exceed tested weight limit capacity.

! This product is designed for only ONE PERSON.

! WARNING: Every year serious injury and even death occurs from hunting related falls. To ensure your safety, please COMPLETELY read and follow this safety manual and ALL warning labels BEFORE assembling, installing, or utilizing this product. DO NOT USE THIS AMERISTEP® PRODUCT BEFORE FULLY UNDERSTANDING ALL SAFETY WARNINGS AND INSTRUCTIONS. IF YOU HAVE QUESTIONS, ARE UNSURE ABOUT ANY INFORMATION, or NEED ADDITIONAL INFORMATION CONCERNING THIS PRODUCT, CONTACT OUR CUSTOMER SERVICE DEPARTMENT. KEEP AND MAINTAIN THIS SAFETY & INSTRUCTION MANUAL FOR FUTURE REFERENCE.

©2008 (rev 6/08)

SAFETY MUST BE YOUR FIRST PRIORITY WITH THIS PRODUCT

TREE/LADDER STAND SAFETY INSTRUCTIONS/WARNINGS

Please read the following instruction manual and warning labels completely before utilizing this product. Failure to understand and execute these instructions and warnings may result in serious injury or death. KEEP THIS INSTRUCTION MANUAL IN A SAFE PLACE AND REVIEW ANNUALLY.

- **ALWAYS** read and understand these WARNINGS & INSTRUCTIONS before using this product each season. Practice at ground level prior to using at elevated positions. Maintain the WARNINGS & INSTRUCTIONS for later review as needed, for instructions on usage to anyone borrowing your stand. Use all safety devices provided with this product. Never exceed weight limit specified by Manufacturer. If you have any questions after reviewing the WARNINGS & INSTRUCTIONS, please contact Ameristep®. **DO NOT** lend this product to anyone unless they have read this manual and fully understand the Instructions and warnings provided.
- **ALWAYS** inspect for any damaged or missing pieces after removing all contents from box and cardboard from products. If you think parts are missing or damaged, contact Ameristep's Customer Service Department. Do Not begin to assemble if any parts are missing or damaged.
- **DO NOT** modify or alter your Tree/Ladder Stand. Improper installation or adjustment may cause serious injury or death. You must only use Ameristep® certified replacement parts. Using any other replacement parts will void product warranty. **DO NOT** use homemade or permanently elevated stands or make modifications to a purchased TREE/LADDER STAND.
- **DO NOT** use this product under the influence of alcohol, medication (prescription or non-prescription), or any illegal substance. Using this product while under influence of any of these substances may result in serious injury or death.
- **DO NOT** use this product if you have a history of heart problems, back problems, high blood pressure, impaired vision, equilibrium impairments, dizzy, if you are not physically fit, or ill in any way; If have been advised by a doctor or other healthcare provider not to climb, or have any condition that would impair your ability to use climber. Physical ailments can reduce your ability to safely install, utilize, and remove your product. Please consult a physician prior to use. Be sure you are well rested and alert and **NEVER** fall asleep in your stand as you may fall out resulting in serious injury or death.
- **NEVER** transport any equipment with yourself while ascending or descending the tripod. Use a haul line (such as our Hoist Rope) to transport your weapons and equipment into or out of the tripod. Guns should be unloaded, chamber opened, safety lock engaged and muzzle pointed toward the ground. Only begin raising or lowering weapons and equipment while you are safely seated atop tripod with both hands free.
- **ALWAYS** know your physical limitations. Falls can occur anytime after leaving the ground. Don't take chances. If you start thinking about how high you are, don't go any higher. Instead, choose a minimum height that will allow for safe, effective, and comfortable hunting.
- **ALWAYS** have a minimum of three people present when installing or removing this product **AND** hunt with a plan and a buddy. Before you leave home, let others know your exact hunting location, when you plan to return & who is with you.
- **ALWAYS** have a communication device on your person and easily accessible. Immediate access to another person may save your life. In the event of an accident, a rescue plan must be in place and able to be incorporated immediately. **ALWAYS** carry emergency signal devices such as a cell phone, walkie-talkie, whistle, signal flare, PLD (personal locator device) and flashlight on your person at all times and within reach. In the event of an accident, remain calm and seek help immediately. **DON'T PANIC!**
- **NEVER** adjust your stand while in use. Always ensure that you and your ladder stand are safely secured to a healthy tree. A checklist for selecting a safe tree is also included in the instructions. Your TREE/LADDER STAND must be attached tightly to the tree and secured in place. ALL contact points must be in contact with tree **BEFORE** you step onto your TREE/LADDER STAND. If the stand is not secure, it may shift while in use, and may result in serious injury.
- **NEVER** jump on the platform OR stand on the seat OR lean out from the ladder stand for any reason.
- **NEVER** use this product for trimming trees OR as a house-hold ladder.
- **NEVER** leave stand unattended. Always fully inspect this product before each use. **DO NOT** use if any bolts or nuts are loose, bent or crooked.
- **NEVER** let children play or use this product without adult supervision. This product is not a toy.
- **NEVER** use during inclement weather. **DO NOT** use during thunderstorms or any other weather conditions that include (but not limited to) lightning, high wind, freezing rain. Your product must always be free from moisture, mud, frost, snow, ice or any other slippery surface that may compromise your safety and could potentially create dangerous conditions. **ALWAYS** watch for changing weather conditions.



TREE/LADDER STAND SAFETY INSTRUCTIONS/WARNINGS

Ameristep® Tree/Ladder Stands are designed with your safety being our primary concern. We have invested time to properly design, engineer, manufacture, and test this product's safety. This Tree/Ladder Stand will continuously be safe with appropriate equipment, usage and maintenance followed carefully in this safety and instruction booklet. Ameristep® and Ameristep® Retailers will not be responsible for any misuse of this product.

- **ALWAYS** inspect tripod before each use and do not store outdoors when not in use.
- **ALWAYS** check legs and ladder section connections every time you use tripod.
- **ALWAYS** check ground under tripod to ensure it is firm and level.
- **ALWAYS** maintain three points of contact when climbing ladder and ALWAYS lean forward as you climb.

PROPER CARE AND MAINTENANCE:

- **ALWAYS** inspect for defects from damage, rot, corrosion, cracks caused from freezing or excessive heat.
- **DO NOT** use if damage is detected or suspected.
- **ALWAYS** insure the appropriate maintenance such as retightening, or replacement of parts, preserving or refinishing wood, touch-up painting and lubrication is recommended.
- **DO NOT** leave your Tree/Ladder Stand outside **OR** in a tree for more than two weeks at a time. Store inside when not in use.



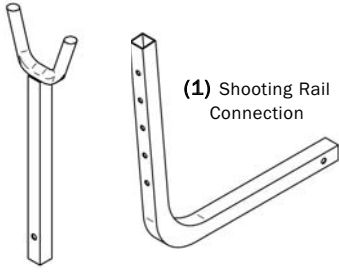
CAUTION: Maximum Tested Weight Capacity Limit for this Product is: **300 POUNDS**
(Including Accessories, Gear and Attire) **DO NOT** Exceed tested weight limit capacity.

This product is designed for only **ONE PERSON**.

Never remove any safety warning stickers from this product.
Safety must be your first priority during the use of this product.

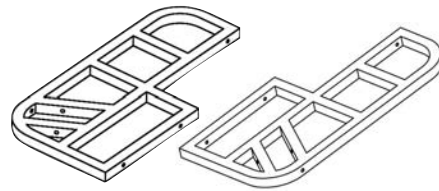
WARNING	
DO NOT use this tree stand without reading and following all warnings and instructions before each use. Failure to do so may result in serious injury or death.	NEVER stand on tree stand rails, footrest, vertical, or shooting rail. Standing on any of these parts may cause serious injury or death.
ALWAYS inspect your tree stand before each use and DO NOT use if parts are missing, worn, or damaged.	NEVER make any adjustments or alterations to the tree stand. Doing so may result in serious injury or death.
ALWAYS wear a Full Body Harness while using this tree stand. Failure to wear a Full Body Harness while using this tree stand may result in serious injury or death.	NEVER use tree stand if you have sharp spots, a heart problem, are afraid of heights, have been advised by a doctor or other health care provider not to climb, or have any condition that would impair your ability to climb up or down or use tree stand as it could result in serious injury or death.
DO NOT exceed the tree stand's weight limit, which includes your body weight as well as the weight of your clothes and gear. Exceeding the tree stand's weight limit may result in serious injury or death.	NEVER use tree stand during inclement weather. DO NOT use tree stand during thunderstorms or any other weather conditions including (but not limited to) lightning, freezing rain, high wind that could create slippery or dangerous conditions.
	NEVER remove or deface tree stand warning labels. Replacement labels can be obtained from the address to the right.

Ameristep Inc. 001 Tacoma Ct.
Clio, MI 48601
010 005 4035
Manufactured XXXX



(1) Shooting Rail Connection

(1) Shooting Rail

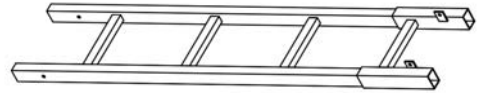


(1) Left Platform

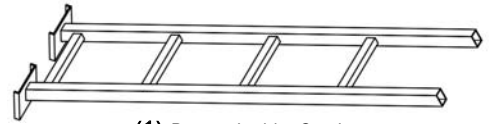
(1) Right Platform



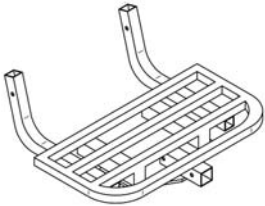
(1) Top Ladder Section



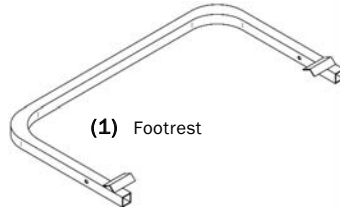
(1) Middle Ladder Section



(1) Bottom Ladder Section



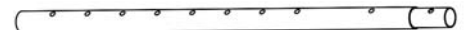
(1) Seat Frame



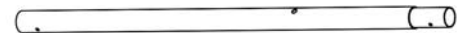
(1) Footrest



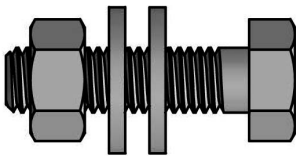
(2) Bottom Leg



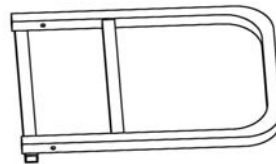
(2) Middle Leg



(2) Top Leg



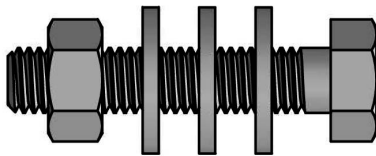
(1) M8 x 30mm HEX BOLT
(2 Washers, 1 Lock-Nut)



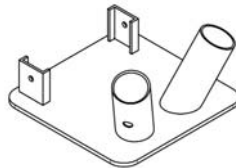
(1) Back Rest



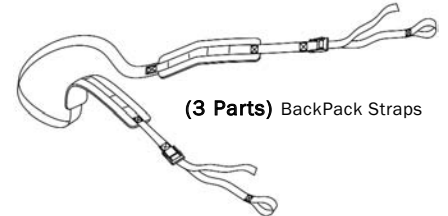
(1) Stabilizer Bar



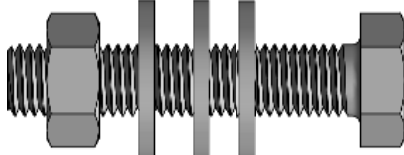
(2) M8 x 40mm HEX BOLT
(3 Washers, 1 Lock-Nut)



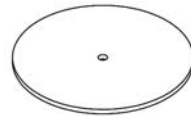
(1) Seat Frame Base



(3 Parts) BackPack Straps



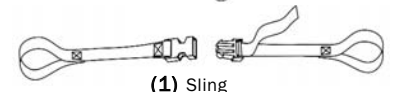
(2) M8 x 45mm HEX BOLT
(3 Washers, 1 Lock-Nut)



(1) 5 1/2" Swivel Washer



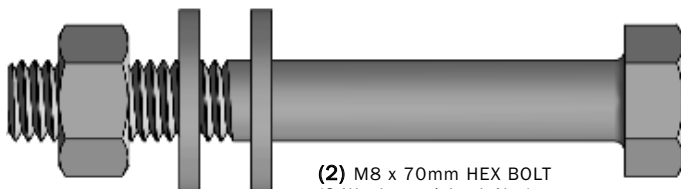
(1) Shooting Rest Pad



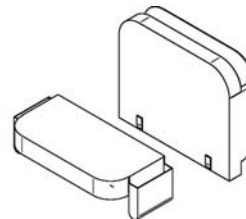
(1) Sling



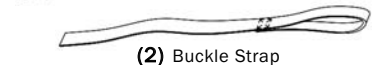
(2) Buckle Loop



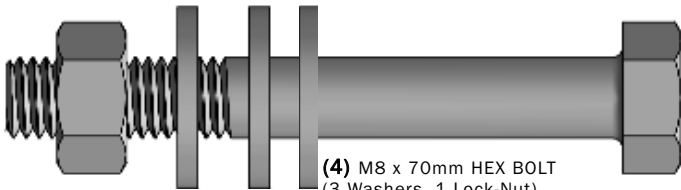
(2) M8 x 70mm HEX BOLT
(2 Washers, 1 Lock-Nut)



(1) Seat Back Cushion
(1) Seat Cushion



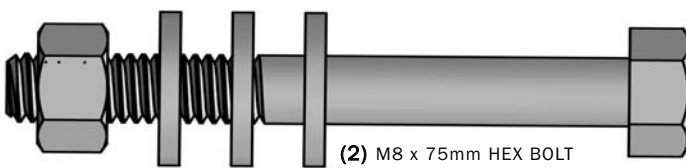
(2) Buckle Strap



(4) M8 x 70mm HEX BOLT
(3 Washers, 1 Lock-Nut)



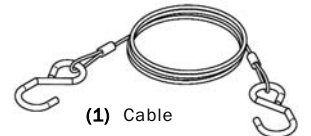
(2) S-Hook Brace Strap



(2) M8 x 75mm HEX BOLT
(3 Washers, 1 Lock-Nut)



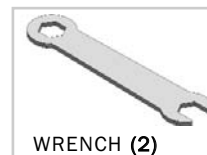
(1) Shooting Rail Cover



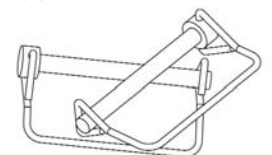
(1) Cable



(4) Ground Stakes

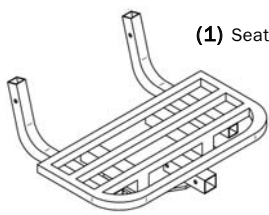


WRENCH (2)

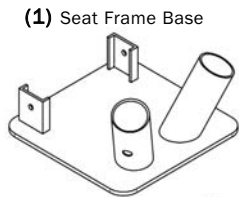


(2) D-Clips

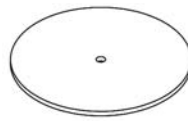
! NOTE: You will need:



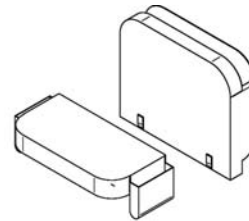
(1) Seat Frame



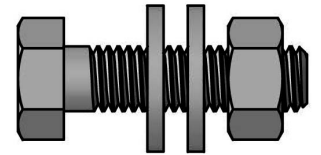
(1) Seat Frame Base



(1) 5½" Swivel Washer



(1) Seat Back Cushion
(1) Seat Cushion



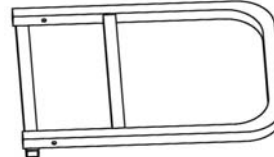
(1) M8 x 30mm HEX BOLT
(2 Washers, 1 Lock-Nut)



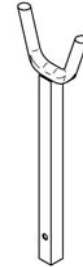
(1) Shooting Rail Cover



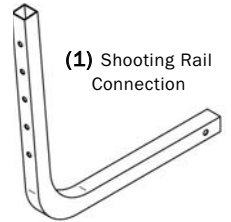
(1) Shooting Rest Pad



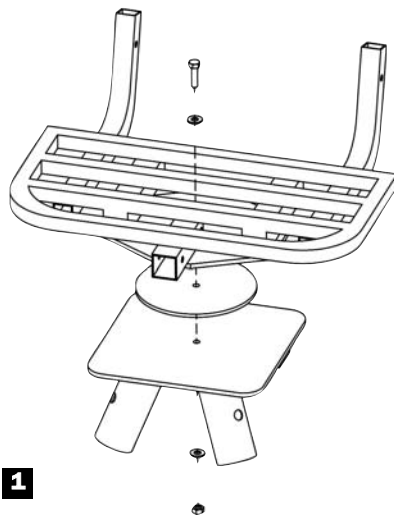
(1) Back Rest



(1) Shooting Rail

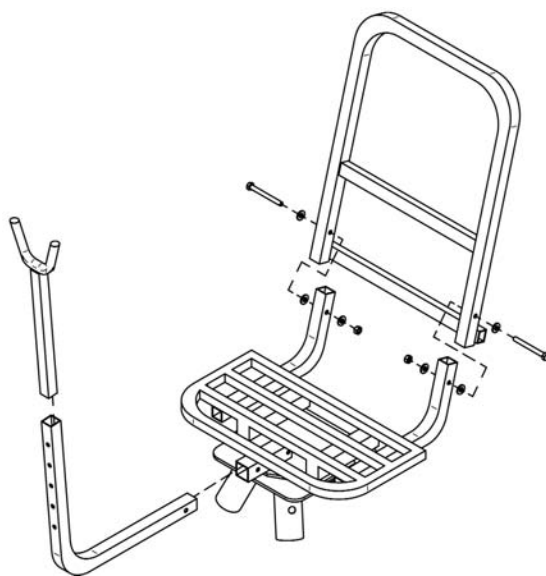


(1) Shooting Rail Connection



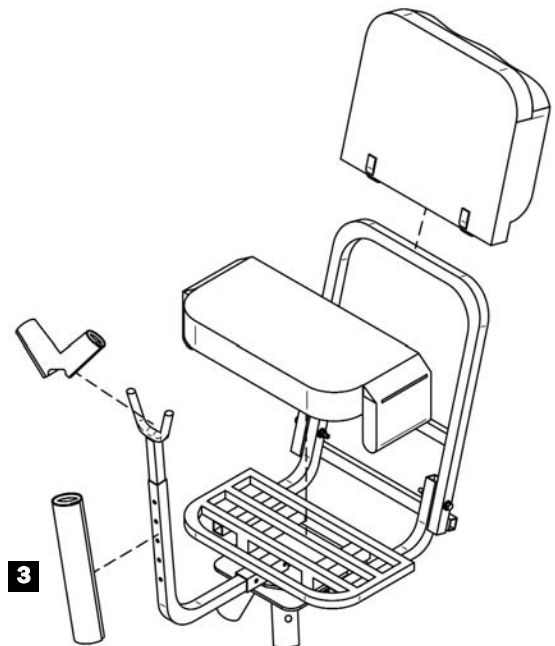
1

Step 1: Seat Frame to Connection Base with 5.5" Washer in between them using (1) M8 x 30 mm bolt.



2

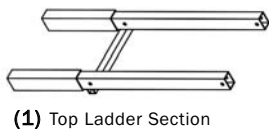
Step 2: Mount **BACK REST** to **SEAT FRAME** using (2) M8 x 70 mm bolts. Assemble **SHOOTING REST** by inserting **SHOOTING REST** into **SHOOTING REST CONNECTION**; then inserting assembled **SHOOTING REST SYSTEM** into **SEAT FRAME**. Sliding each part of **SHOOTING REST SYSTEM** requires depressing spring-loaded buttons which are also used to adjust **SHOOTING REST** to desired position.



3

Step 3: Slide on **SEAT CUSHION**, **SEAT BACK CUSHION**, and **SHOOTING REST PADS**.

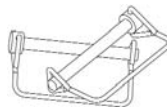
! NOTE: You will need:



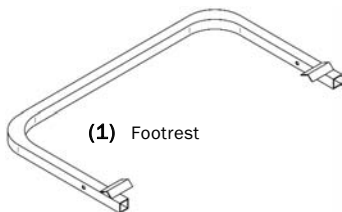
(1) Top Ladder Section



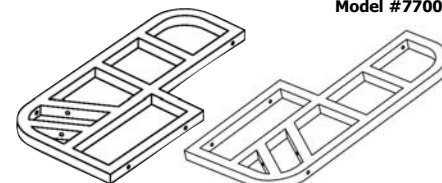
(2) Top Leg



(2) D-Clips

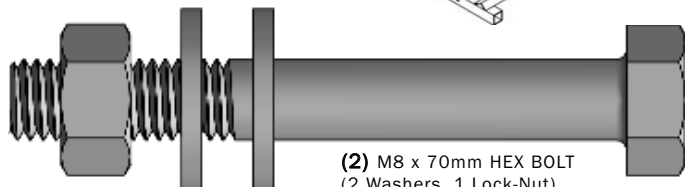


(1) Footrest

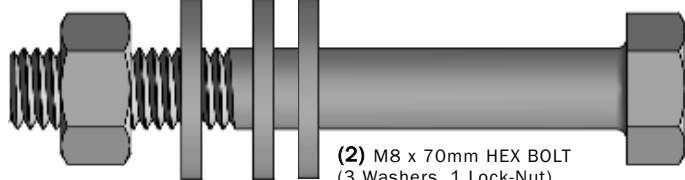


(1) Left Platform

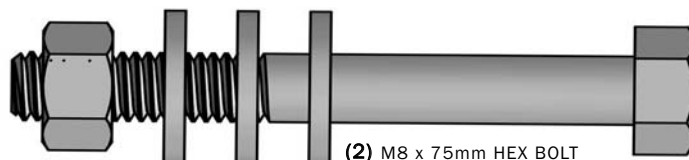
(1) Right Platform



(2) M8 x 70mm HEX BOLT
(2 Washers, 1 Lock-Nut)

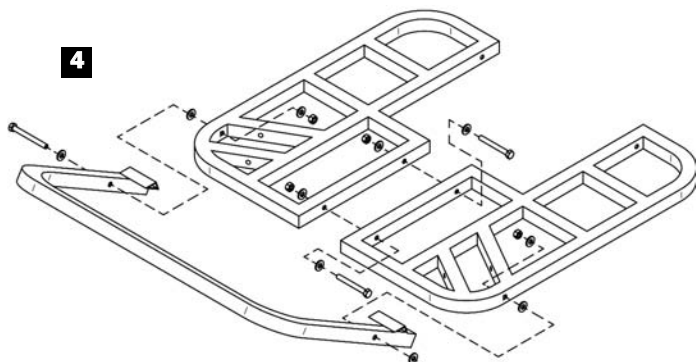


(2) M8 x 70mm HEX BOLT
(3 Washers, 1 Lock-Nut)



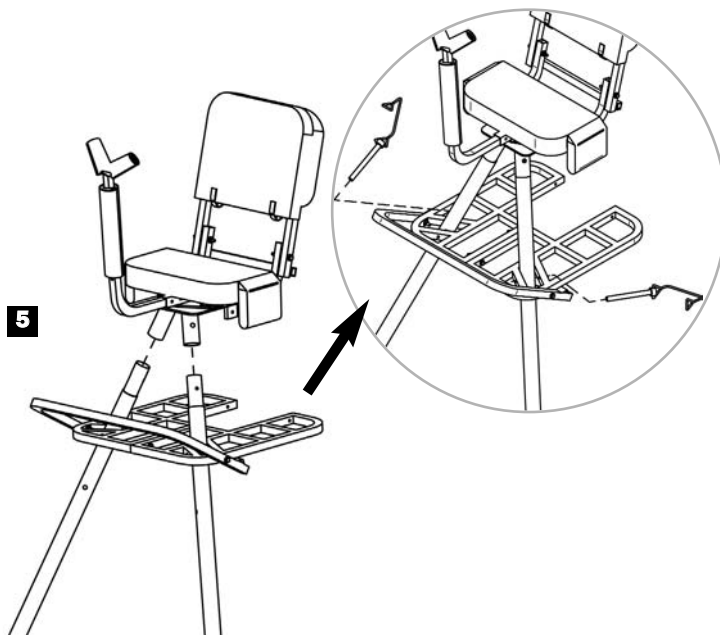
(2) M8 x 75mm HEX BOLT
(3 Washers, 1 Lock-Nut)

4



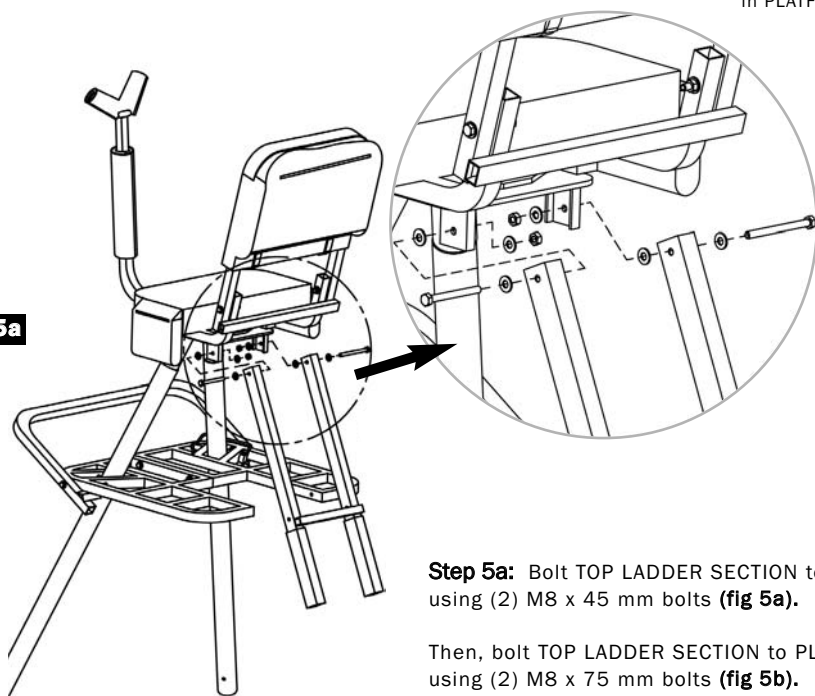
Step 4: Assemble PLATFORM by putting RIGHT and LEFT PLATFORM SECTIONS sections together and bolting them with (2) M8 x 70 mm bolts. Mount FOOTREST to front of PLATFORM using (2) M8 x 70 mm bolts with welded stoppers underneath PLATFORM.

5



Step 5: Mount (2) TOP LEGS and TOP LADDER SECTION to CONNECTION BASE by passing TOP LEGS through PLATFORM; sliding them into CONNECTION BASE. Depress spring-loaded button on each TOP LEG until button snaps into hole in CONNECTION BASE port. Line up holes in each Top Leg with corresponding hole in PLATFORM and lock Legs to PLATFORM using D-CLIPS (one for each leg).

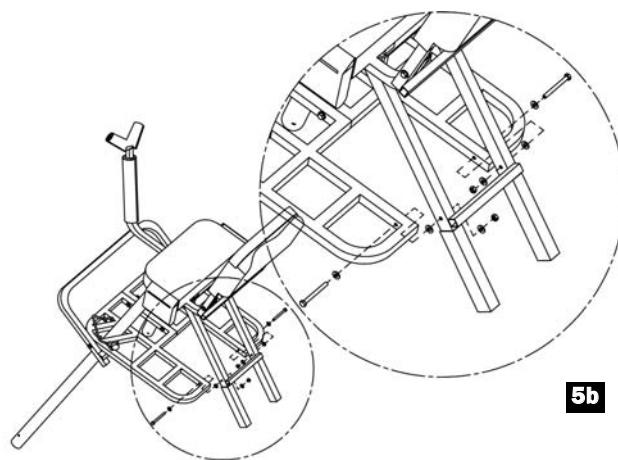
5a



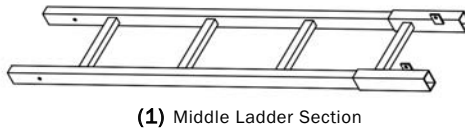
Step 5a: Bolt TOP LADDER SECTION to CONNECTION BASE using (2) M8 x 45 mm bolts (fig 5a).

Then, bolt TOP LADDER SECTION to PLATFORM using (2) M8 x 75 mm bolts (fig 5b).

5b



! NOTE: You will need:



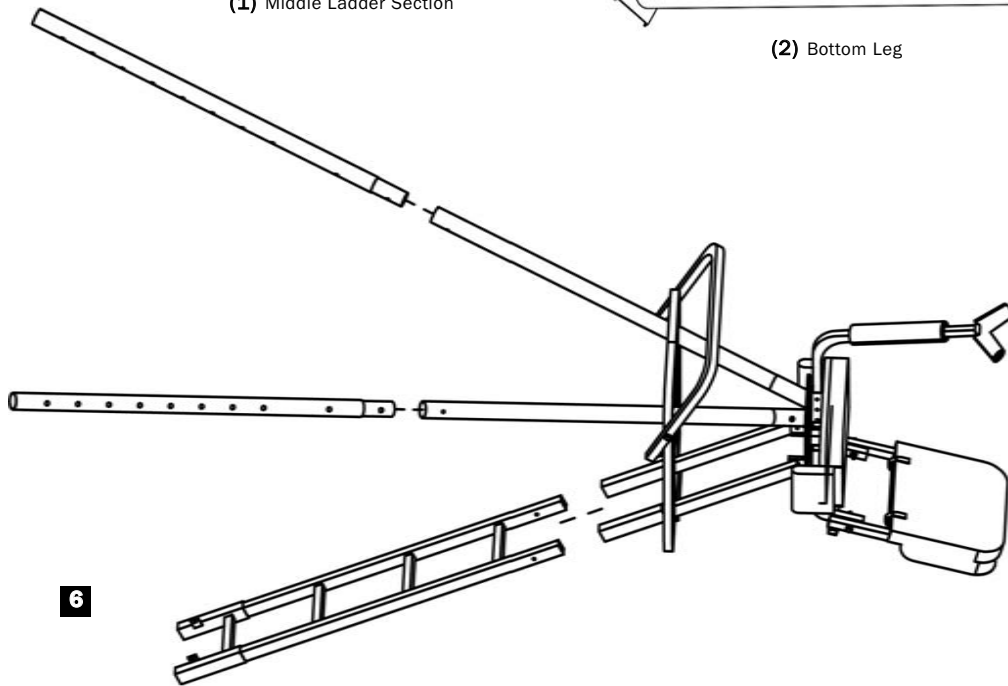
(1) Middle Ladder Section



(2) Middle Leg



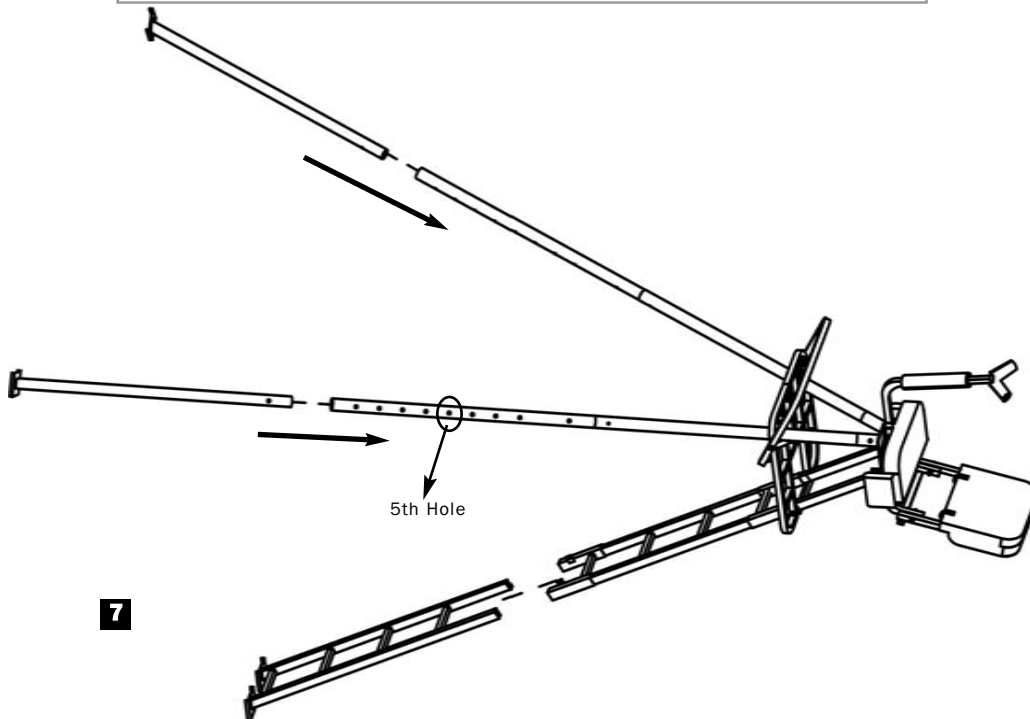
(2) Bottom Leg



6

Step 6: Slide each of (2) MIDDLE LEGS into bottom of TOP LEGS by depressing spring-loaded button until each leg section snaps into corresponding hole in TOP LEG as shown. Slide MIDDLE LADDER SECTION into bottom of TOP LADDER SECTION. Make sure brackets at bottom of MIDDLE LADDER SECTION face inward.

Make sure as each ladder section is slid together, each ladder section has slid fully into its corresponding ladder section.



7

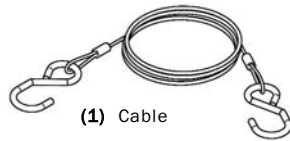
Step 7: Slide each of (2) BOTTOM LEGS into bottom of MIDDLE LEGS by depressing spring-loaded button until each leg section snaps into corresponding FIFTH HOLE from bottom of MIDDLE LEGS.

Make sure button is in fifth hole in bottom section initially as this will make platform level on level ground. Once tripod is set up, use multiple adjustment holes to level tripod if ground is uneven.

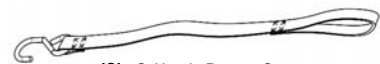
! NOTE: You will need:



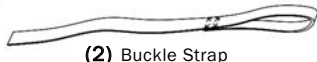
(2) Buckle Loop



(1) Cable



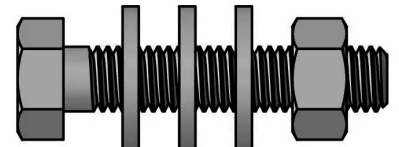
(2) S-Hook Brace Strap



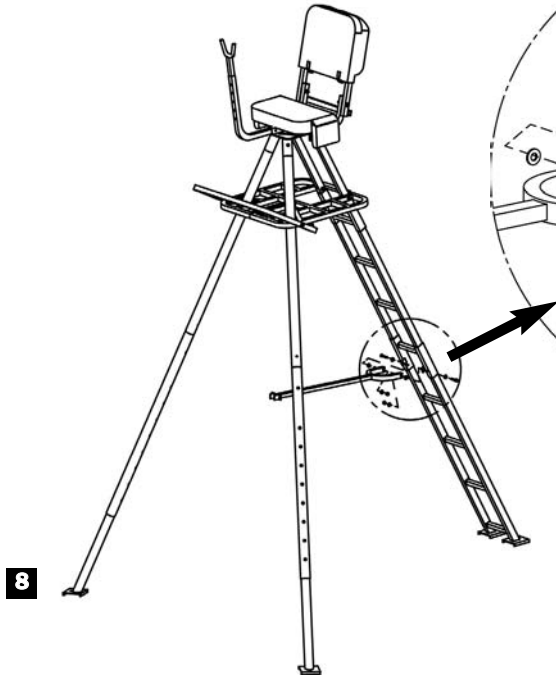
(2) Buckle Strap



(1) Stabilizer Bar

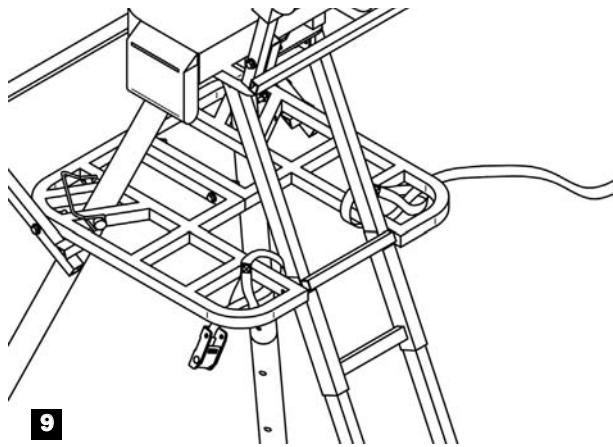


(2) M8 x 40mm HEX BOLT
(3 Washers, 1 Lock-Nut)



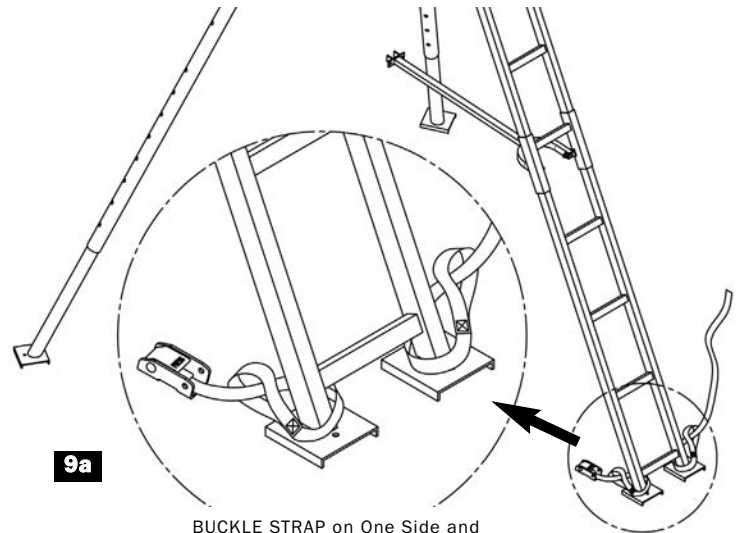
Step 8: Mount STABILIZER BAR to brackets using (2) M8 x 40 mm bolts.

8



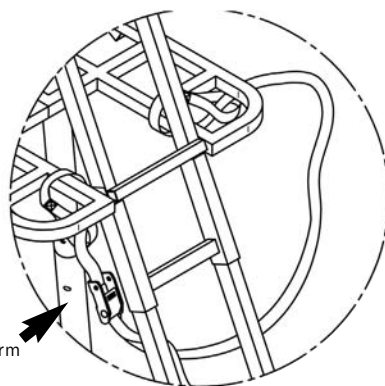
9

Step 9: TRUSS SYSTEM: Attach BUCKLE STRAPS to PLATFORM (fig 9) and Bottom of BOTTOM LADDER SECTION (fig 9a).

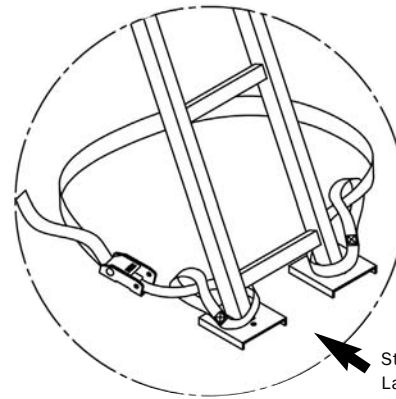


9a

BUCKLE STRAP on One Side and BUCKLE LOOP on other side.

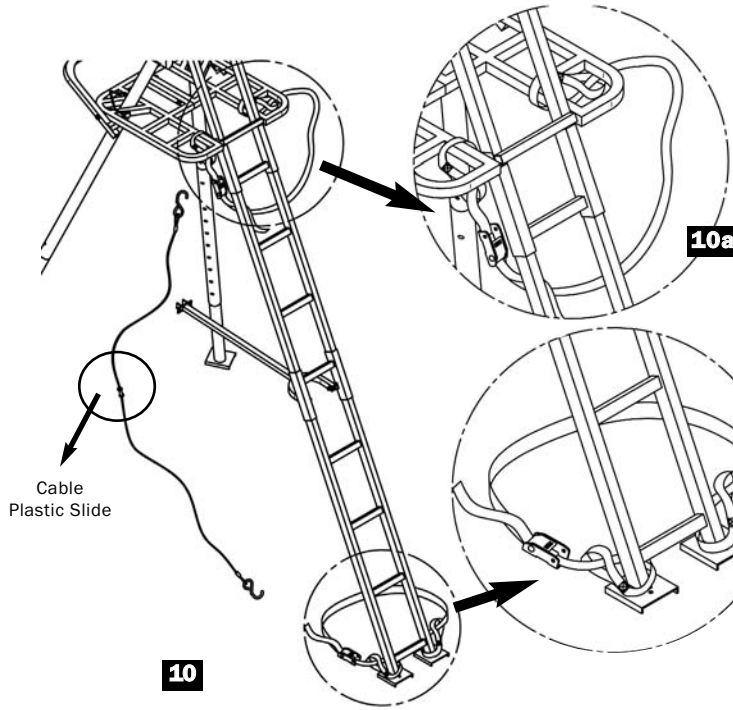


Strap at Platform



Strap at Bottom Ladder Section

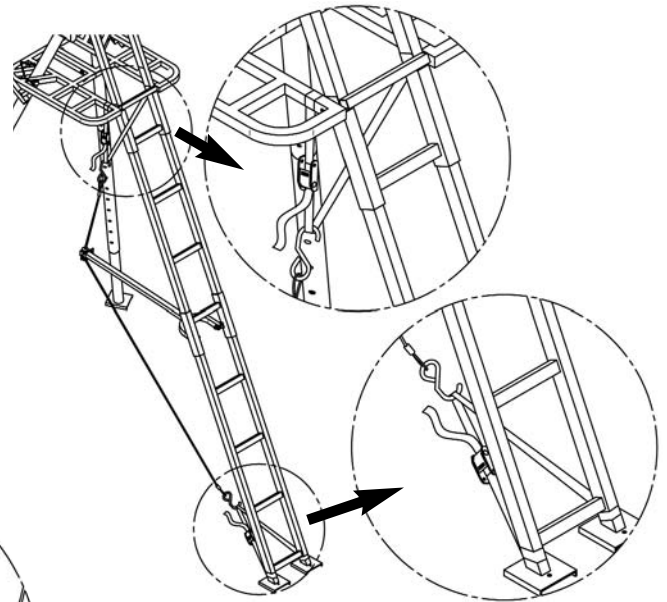
Assemble BUCKLE STRAPS together as shown above.



Step 10: Place HOOK END of CABLE to each BUCKLE STRAP (at PLATFORM and BOTTOM LADDER SECTION) looping CABLE over STABILIZER BAR.

Make sure CABLE PLASTIC SLIDE makes contact with STABILIZER BAR **BEFORE** raising Stabilizer up so it is horizontal to ground. ALSO make sure there is ample tension in CABLE by tightening truss straps.

Be sure truss system is tight (shown below).



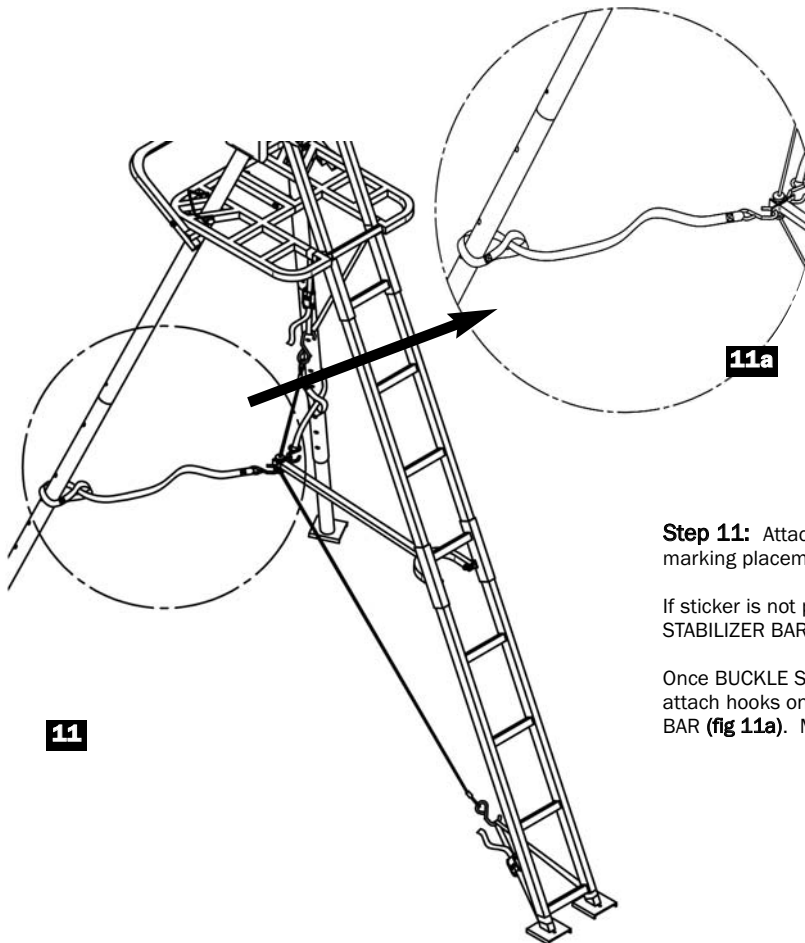
Cable Plastic Slide

10

10a

10b

11a



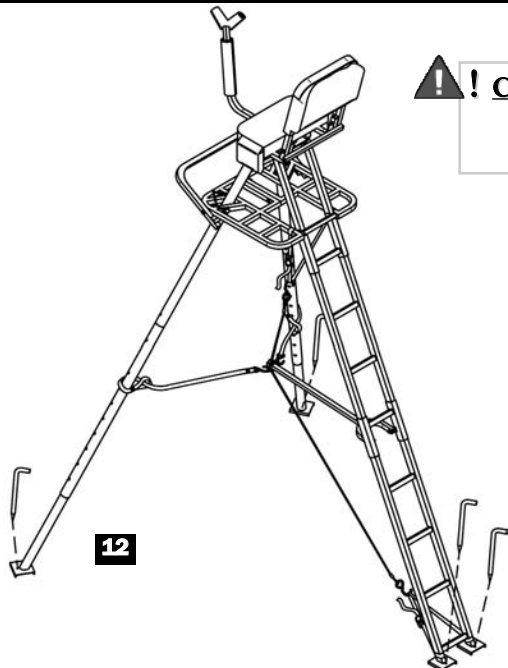
Step 11: Attach S-HOOK BRACE STRAPS, (1) to each Leg. There is a sticker marking placement for each S-HOOK BRACE STRAP on each Leg.

If sticker is not present, make sure straps are on a level, horizontal plane with STABILIZER BAR.

Once BUCKLE STRAPS are wrapped around each leg and positioned properly, attach hooks on ends of each S-HOOK BRACE STRAP to holes on STABILIZER BAR (fig 11a). Make sure legs are pushed out so as to create tension on straps.

11

!! CAUTION: Make sure tripod legs are on level ground at all times. Do not use in hazardous weather conditions such as lightning, high winds, and freezing rain.

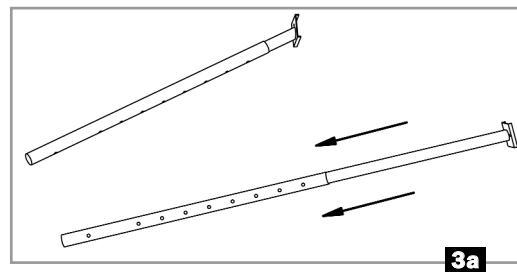
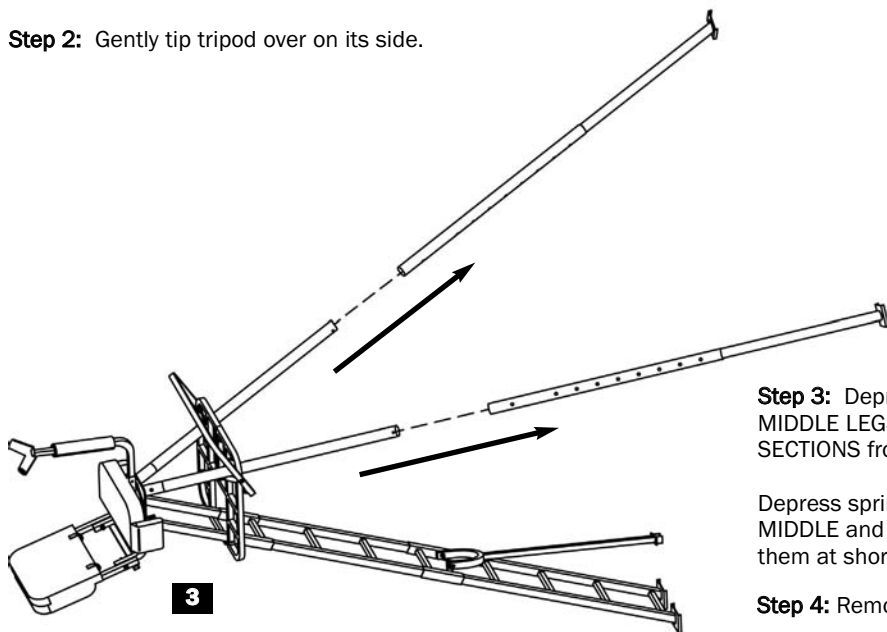


Step 12: Once tripod has been set up at desired hunting location, use (4) GROUND STAKES to hold tripod in place. Each leg has a foot with one hole for each Ground Stake to be driven through. The feet on Bottom Ladder Section one hole on each foot for remaining two stakes to be driven through.

DISMANTLING TRIPOD

Step 1: Dismantle TRUSS SYSTEM by unhooking S-HOOK BRACE STRAPS from STABILIZER BAR, loosen TRUSS STRAPS and remove CABLE.

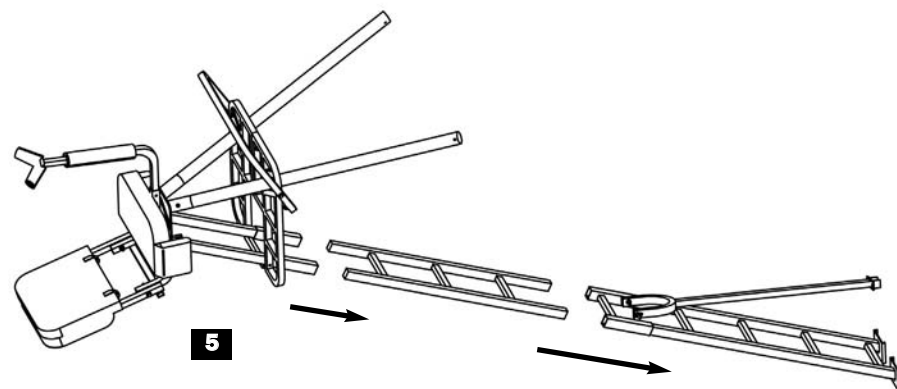
Step 2: Gently tip tripod over on its side.



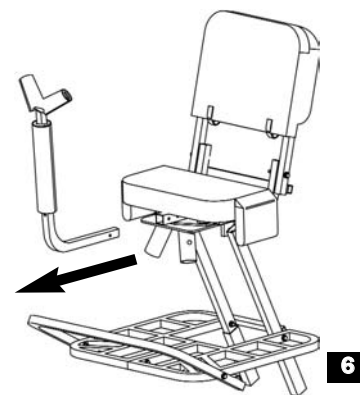
Step 3: Depress spring-loaded buttons on each leg where MIDDLE LEGS meet UPPER LEGS. Separate MIDDLE and LOWER LEG SECTIONS from UPPER LEGS (fig 3).

Depress spring-loaded buttons that adjust leg height between MIDDLE and LOWER LEGS and slide leg sections together and lock them at shortest length (fig 3a).

Step 4: Remove LOWER and MIDDLE LEG SECTIONS.



Step 5: Remove D-CLIPS holding UPPER LEGS to PLATFORM and push button to release UPPER LEGS from CONNECTION BASE.

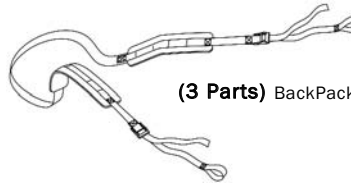


Step 6: Remove Shooting Rail by depressing button and sliding Rail out.

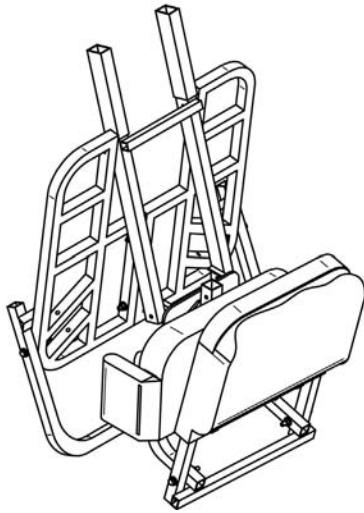
! NOTE: You will need:



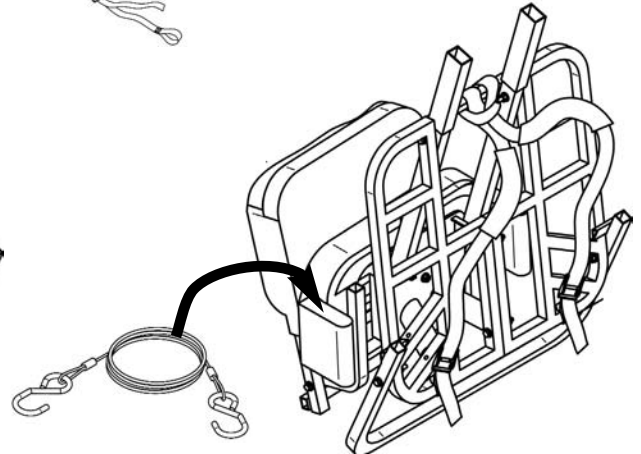
(1) Sling Strap



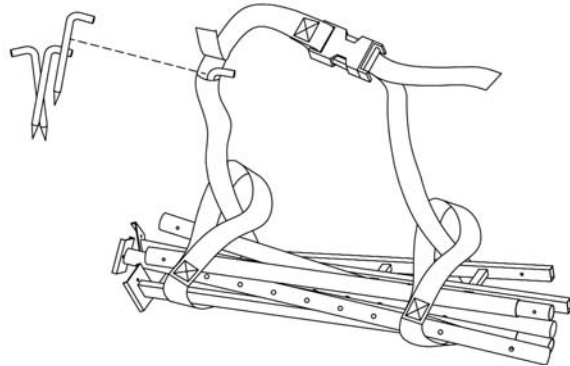
(3 Parts) Backpack Straps



Step 7: Fold up remaining assembled portion.



Step 8: Place CABLE in seat cushion pocket for transport. Install Backpack Straps as shown above.



Step 9: Stack Leg and Ladder sections as shown and strap together with SLING STRAP and place GROUND STAKES in pocket on SLING STRAP.

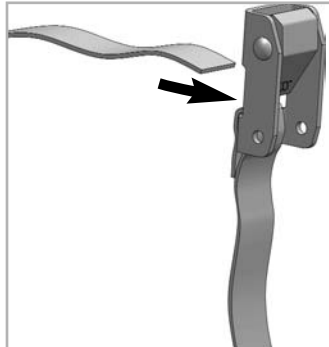


Raptor Tripod - Shown Packed

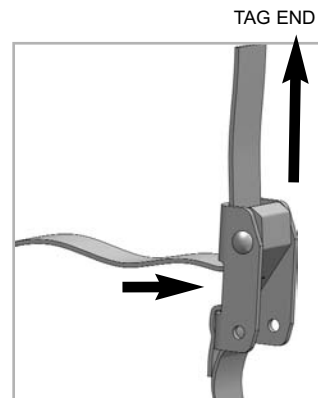
BUCKLE STRAP INSTRUCTION



1. Thread tag end of STRAP up through hole in underside of BUCKLE.



2. Push "PRESS" button to allow tag end of STRAP to be fed through opening under PRESS BUTTON out through front.



3. Pull tag end to adjust strap length. STRAP will only loosen when "Press" button is pushed again.

LIMITED WARRANTY

READ THIS AGREEMENT

This Ameristep® product has a limited warranty. No other warranties, whether expressed or implied, including warranties of merchantability and fitness for a particular purpose, apply to the product.

I. GENERAL PROVISIONS OF LIMITED WARRANTY

- A. The original purchaser of this Ameristep® product is warranted against defects in material and workmanship for one year following the date of its retail purchase.
- B. The exclusive remedy for defects in material and workmanship under the warranty is replacement/ replacement parts.
- C. Ameristep® will, at its option, replace products not conforming to this limited warranty. This is the sole and exclusive remedy available under legal theory for this Ameristep® product.

II. NO OTHER WARRANTIES

NO OTHER WARRANTIES OR REPRESENTATIONS, WHETHER EXPRESSED OR IMPLIED, INCLUDING WARRANTIES OF MERCHANTABILITY AND FITNESS FOR A PARTICULAR PURPOSE, SHALL APPLY TO THE PRODUCT.

III. EXCLUSIONS, LIMITATIONS, AND CONDITIONS OF LIMITED WARRANTY

- A. This warranty cannot be assigned or transferred.
- B. This warranty only applies if the Ameristep® product is used in accordance with Ameristep's written instructions.
- C. Ameristep® products are intended only for use in hunting. Ameristep® products are not intended or authorized for use in any situations that may create health or injury risks.
- D. This warranty is void if the product is damaged through abuse, accident, improper use, negligence or normal wear & tear.
- E. This warranty is void if the product is altered, changed, or modified in any manner.
- F. This warranty is void if any attempt is made to repair the product without written authorization from Ameristep®.
- G. Except as provided in this limited warranty, all Ameristep® products are provided "as is." All other warranties and representations, oral or written, express or implied, including but not limited to any implied warranties of merchantability or fitness for a particular purpose, are excluded and do not apply.

IV. PROCEDURES IN EVENT OF DEFECT

- A. If you find a product to be defective, contact Ameristep at 1-810-686-4035.
- B. When you receive authorization from Ameristep®, return the product as directed by Ameristep®.

V. LIMITATION OF DAMAGES

- A. Ameristep shall not, under any circumstances or legal theory, be liable or responsible for direct, indirect, special, incidental, or consequential damages.
- B. Ameristep shall not, under any circumstances or legal theory, be liable or responsible for any amount in excess of the product purchase price.
- C. Ameristep shall not, under any circumstances or legal theory, be liable or responsible for damage to items or equipment used with the Ameristep product.
- D. Ameristep shall not, under any circumstances or legal theory, be liable for personal injury, personal loss, lost profits, lost wages, goodwill, downtime, economic loss in excess of the product purchase price, or any non-economic damages.

VI. ADDITIONAL PROVISIONS

- A. This agreement is the entire agreement between you and Ameristep®. This agreement supercedes any prior or different agreements, representations, or proposals, whether written or oral.
- B. No representative, agent, or employee, of Ameristep® is authorized to make warranties, representations, or obligations, other than those set forth in this limited warranty.
- C. This agreement may only be changed through an express written agreement with Ameristep®.
- D. Waiver by any party of any default or breach of this agreement will not constitute a waiver of any subsequent default or breach of the same or different kind.
- E. If any action or provision of this agreement is found to be invalid, such invalidity does not affect or extend to other sections or provisions in the agreement.
- F. This warranty gives you the specific legal rights. You may also have other rights that vary from state to state. This agreement shall be governed by the laws of the State of Michigan, United States of America.



See our Full Line of Products, Accessories and Replacement Parts at: www.ameristep.com