




### Important Information

Please read this user manual before you use this product, it contains all the notes, and instructions regarding the operating this product. In accordance with safety precautions and operating instructions listed on this user manual applies, provided the product is handled properly for its intended use, but may not apply to the cases below:

- Repairs of product modification and alternations have been executed by unauthorized personnel.
- The damages are caused by accidents including but not limited to lightning, fire, exposed to rain, water or moisture.
- The damages are caused by the use of the provided power adapter with power voltages which are not compliant with the rated voltage range in the attached label of the power adapter in the package.
- The model label on the product has been modified or the warranty tag has been removed by unauthorized personnel.



### Safety Precaution

 <b>Danger!</b> High voltage	<b>To reduce the risks of electricity, do not remove or open the cover. No use serviceable parts are inside. Please return to original factory for maintenance.</b>
 <b>Beware of</b> hot surfaces!	To reduce the risks of electricity, do not remove or open the cover. No use serviceable parts are inside. Please return to original factory for maintenance.
 <b>Caution!</b>	Please use our standard power adapter. For detailed information, please refer to the rated voltage range showed on the label at the back of power adapter.



**Danger: Be careful with electricity**

- As connecting any equipment (such as any player or TV, etc.), please turn off the power of the product before any operation is undertaken.
- Power outlet: to prevent electric shock, fire or short circuit, please make sure the type of electrical plug used on the receiver's and transmitter's power cord are compliant with the rated voltage range in the attached label of the power adapter in the package.
- Power cord: Do not place any heavy articles on top of the power cord. To avoid being stepped on or pinched by heavy items, the power cord should not be located in a place where people pass by frequently.
- Power overloading: Avoid overloading wall's electrical outlets and extension cord or other multi-socket; otherwise could result in electric shock or fire.
- FCC Radiation Exposure Statement: This equipment complies with FCC radiation exposure limits set forth for an uncontrolled environment. This equipment should be installed and operated with a minimum distance of 20cm between the equipment and the user's body.



**Warning**

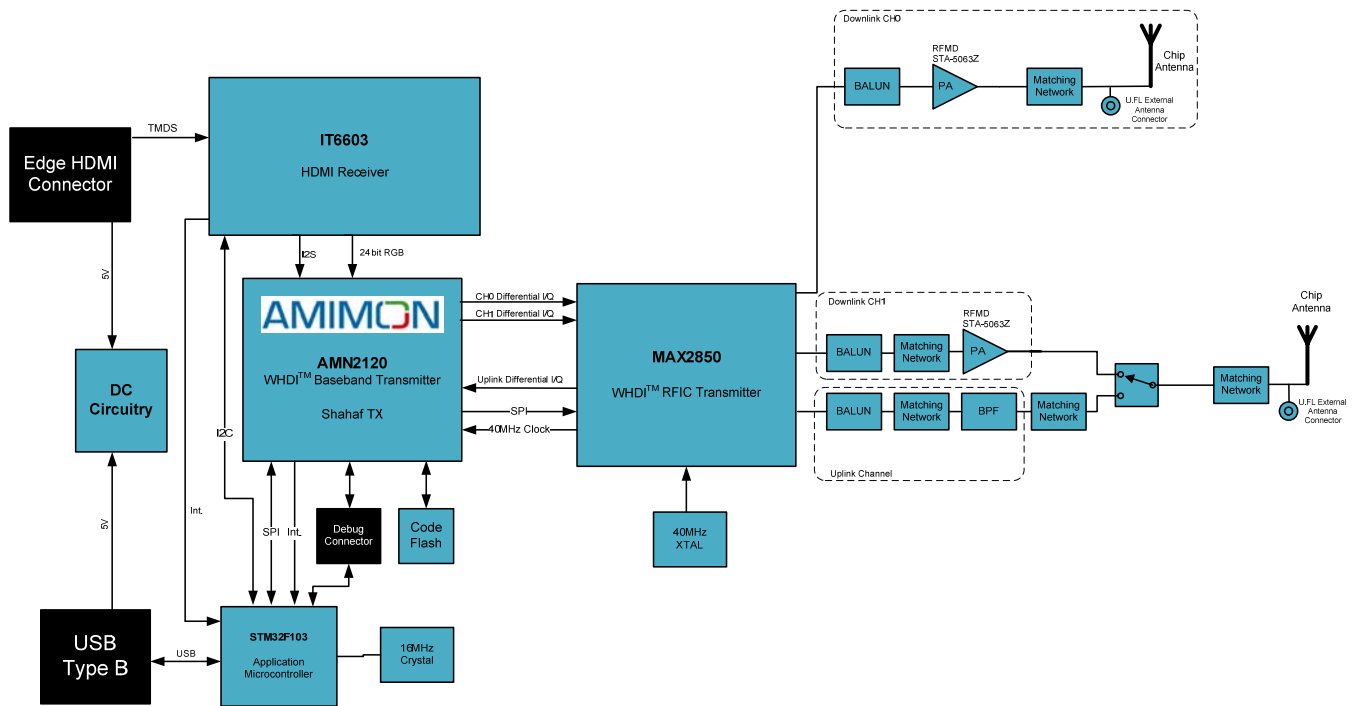
- This product should not be exposed to dripping or splashing. Don not place any object filled with liquid on the product (eg. Vases).
- Please place the receiver/ transmitter on a flat and stable surface.
- Ventilation: please do not block the air vents on the receiver/ transmitter, or place any heavy objects on top of them. Blocking the air flow can damage the product. Please make sure there is adequate ventilation distance between the receiver and TV.
- Please put the product away from direct sunlight or any source of heat.
- Water exposure: to reduce the risk of electric shock or fire, please do not expose the receiver/ transmitter to rain or moisture.
- We assume no responsibility for any damage or result caused by using other adapters instead of the standard adapter provided in the package.

---

## Special Notice

- Although the product has provided the function of data encryption when transmitting, you still need to pay attention to deliberate signal interception. There will be the possibility of a third party intentionally intercept the transmission signal since the product adopt wireless communication. Please do not use the product on confidential communication, or life-related communication. The main concern is that the content of wireless communication might be received by the third party's wireless devices deliberately or accidentally.
- The impact of radio waves (such as the following environments) may cause abnormal audio and video (blocked image, noise, etc.)
  - Transmit through a brick wall.
  - Transmit close to a refrigerator, metal objects, or a crowded environment.
- This product has been tested and manufactured to comply with national electrical safety rules, however, there will be noise caused by interference with other machines in rare cases. If the interference is present, please keep a certain distance away from other machines.
- The product is susceptible to interference from 5GHz wireless local area network or other wireless devices.
- Optimal range between transmitter and receiver is between 1 meter and 30 meters within line of sight in an indoor environment.
- Please do not set up the transmitter and receiver in metal shelf or it will hinder the wireless communications.
- 1080p/60 Hz Wireless transmitting.
- It will take 15-20 seconds to boot the system before wireless communication start, the media receiver can not be operated during this time.
- Keep the product 20cm away from the body.
- Indoor use only.
- No enclosure provided. Need to add a complete enclosure.

## 1. AMN31292 Block Diagram



## 2. Features

1. Uncompressed and uncompromised FHD video quality
2. Supports 40MHz channels for supreme video quality and high rate video/audio signals
3. Supports WHDI, Unicast, Multicast
4. Supports HDMI
5. Strong 256-bit/128-bit AES based encryption
6. Supports MIMO technology
7. Supports OSD display
8. Supports HDCP

### 3. Performance parameters

Number	Item	Unit	Specification
1	Transmitter & Receiver Frequency	GHz	5.15 - 5.25, 5.25 - 5.35, 5.47 - 5.725, 5.725 - 5.825
2	RF Communication System		MIMO
3	Modulation Mode		OFDM
4	Frequency Stability	PPM	+ -20
5	Operating Bandwidth	MHz	40
6	Typical Transmit Power	dBm	16(MAX)
7	Receiver Sensitivity	dBm	-70
8	System Delay	Ms	<1
9	Transmit Channel & Receive Channel		2 & 1
10	HD Video System		HD: 480i, 480p, 576i, 576p, 720p, 1080i, 1080p PC: VGA (640x480), SVGA (800x600), XGA (1024x768) Panel: 854x800, 1280x768, 1366x768, 1920x1080
11	HD Video Encryption		HDCP 1.2
12	Multi-path Transmission Distance	M	50
13	Consumption Current	mA	
14	Power Supply	VDC	5
15	Operation Temperature	C	-20 - +40
16	Storage Temperature	C	-20 - +60
17	Operation Humidity	RH	15% - 85%
18	Dimensions	mm	L89.5mm x W27mm x H9.05

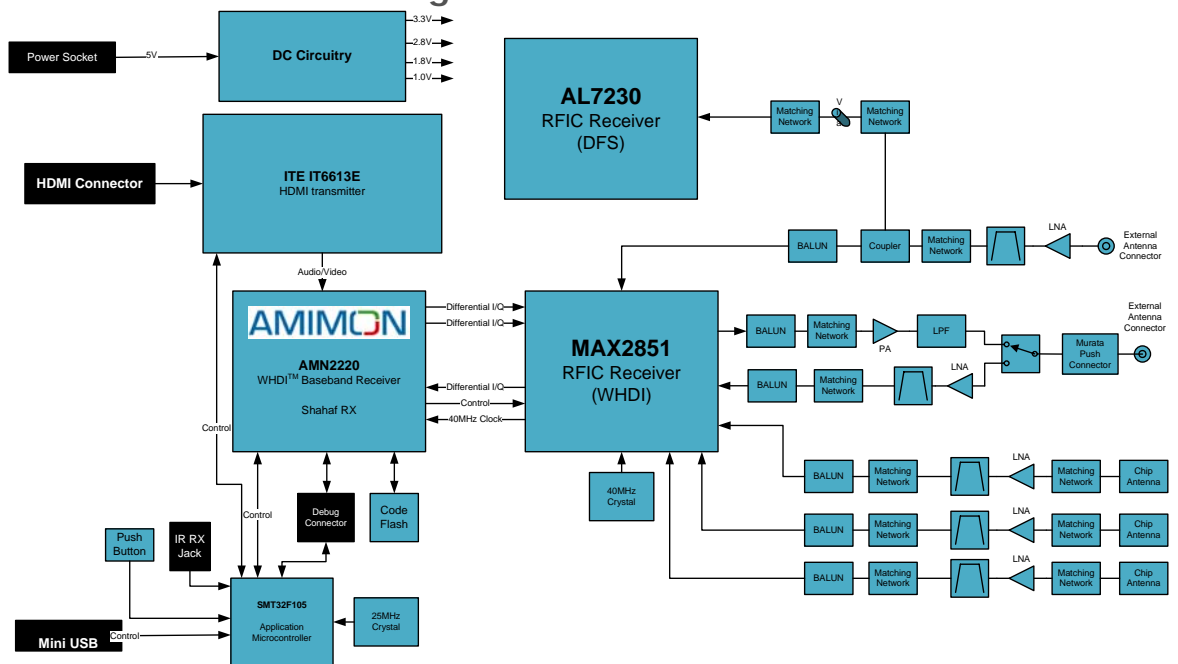
---

#### 4. AMN31292 Product Appearance and Interface Definition



1. Registration button:  
The registration button is used in order to register the transmitter to additional receivers, in Unicast or Multicast products.
2. VIDEO status LED:  
The VIDEO LED is used to indicate the video connection status.
3. NETWORK status LED:  
The NETWORK LED is used to indicate the wireless network state.
4. HDMI Input port:  
The HDMI input port is used to connect the video source to the transmitter.
5. USB Port:  
The USB port is used to provide power to the system. The USB port can also be used for log collection and firmware updates.

## 1. AMN36223 Block Diagram



## 2. Features

1. Uncompressed and uncompromised FHD video quality
2. Supports 40MHz channels for supreme video quality and high video/audio signals
3. Supports WHDI, Unicast, Multicast
4. Supports HDMI
5. Strong 256-bit/128-bit AES based encryption
6. Supports MIMO technology
7. Supports OSD display
8. Supports HDCP

---

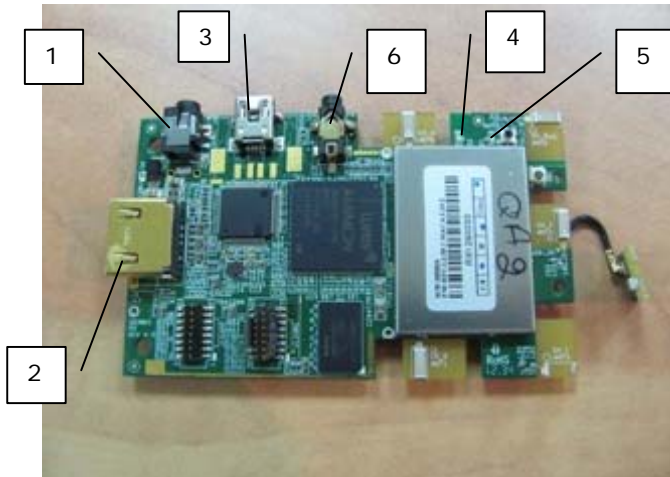
### 3. Performance Parameters

Number	Item	Unit	Specification
1	Transmitter & Receiver Frequency	GHz	5.15 – 5.25, 5.25 – 5.35, 5.47 – 5.725, 5.725 – 5.825
2	RF Communication System		MIMO
3	Modulation Mode		OFDM
4	Frequency Stability	PPM	+/-20
5	Operating Bandwidth	MHz	40
6	Typical Transmit Power	dBm	16(MAX)
7	Receiver Sensitivity	dBm	-70
8	System Delay	ms	<1
9	Transmit Channel & Receive Channel		1 & 5 + 1 for DFS only
10	HD Video System		HD: 480i, 480p, 576i, 576p, 720p, 1080i, 1080p PC: VGA (640x480), SVGA (800x600), XGA (1024x768) Panel: 854x800, 1280x768, 1366x768, 1920x1080
11	HD Video Encryption		HDCP 1.2
12	Multi-path Transmission Distance	m	50
13	Consumption Current	mA	
14	Power Supply	VDC	5
15	Operation Temperature	C	0 - +40
16	Storage Temperature	C	-20 - +60
17	Operation Humidity	RH	15% - 85%
18	Dimensions	mm	L85mm x W51.4mm x H10.95



---

#### 4. AMN36223 Product Appearance and Interface Definition



1. Power Input Port:  
The 5v power supply provided with the system should be connected to the power input port.
2. HDMI Output port:  
The HDMI output port is used to connect the receiver to the video sink, using a HDMI cable supporting HDMI 1.3
3. Mini USB port:  
The mini USB port is used for SW upgrades and logs collection.
4. NETWORK status LED:  
The NETWORK LED is used to indicate the wireless network state.
5. VIDEO status LED:  
The VIDEO LED is used to indicate the video connection status.
6. IR receiver jack:  
The IR receiver is used for receiving IR messages from the product's remote control, or from any other remote control working on 38KHz (Set-top-box, HD disk player, etc.)

---

**FCC Caution:**

Any changes or modifications not expressly approved by the responsible party could void the user's authority to operate this equipment.

**Notice:**

The module in its final integration requires the end-product to comply with DFS requirements. A Class II Permissive Change may be required for operation not already described in the FCC grant filing.

**OEM Labeling Requirements**

NOTICE: The OEM or final integrator must ensure that FCC labeling requirements are met. This includes an additional label on the outside of the final product housing with the following contents:

**Company Name**

**MODEL:**

**Contains Model:** AMN31292, FCC ID: VQSAMN3129201

This device complies with Part 15 of the FCC Rules. Operation is subjected to the following two conditions: (1) This device may not cause harmful interferences, and (2) this device must accept any interference received, including interference that may cause undesired operation.

**Company Name**

**MODEL:**

**Contains Model:** AMN36223, FCC ID: VQSAMN3622301

This device complies with Part 15 of the FCC Rules. Operation is subjected to the following two conditions: (1) This device may not cause harmful interferences, and (2) this device must accept any interference received, including interference that may cause undesired operation.

---

The applicable usage is to be used as a wireless device, connected to the back of a camera, or other video source and transmitting video to a monitor, or any other video sink, with less than 1msec delay.

**FCC Radiation Exposure Statement**

This equipment complies with FCC RF radiation exposure limits set forth for an uncontrolled environment. This transmitter must be co-located or operating in conjunction with any other antenna or transmitter.

This equipment complies with Part 15 of the FCC Rules. Operation is subject to the following two conditions:

- (1) This device may not cause harmful interference, and
- (2) This device must accept any interference received, including interference that may cause undesired operation.

**Caution!**

The manufacturer is not responsible for any radio or TV interference caused by unauthorized modifications to this equipment. Such modifications could void the user authority to operate the equipment.

**IC Warning:**

Under Industry Canada regulations, this radio transmitter may only operate using an antenna of a type and maximum (or less) gain approved for the transmitter by Industry Canada. To reduce potential radio interference to other users, the antenna type and its gain should be chosen that, the equivalent isotropically radiated power (e.i.r.p.) is not more than that necessary for successful communication.

This device complies with Industry Canada license-exempt RSS standard(s).

Operation is subject to the following two conditions:

- (1) This device may not cause harmful interference, and
- (2) This device must accept any interference received, including interference that may cause undesired operation.