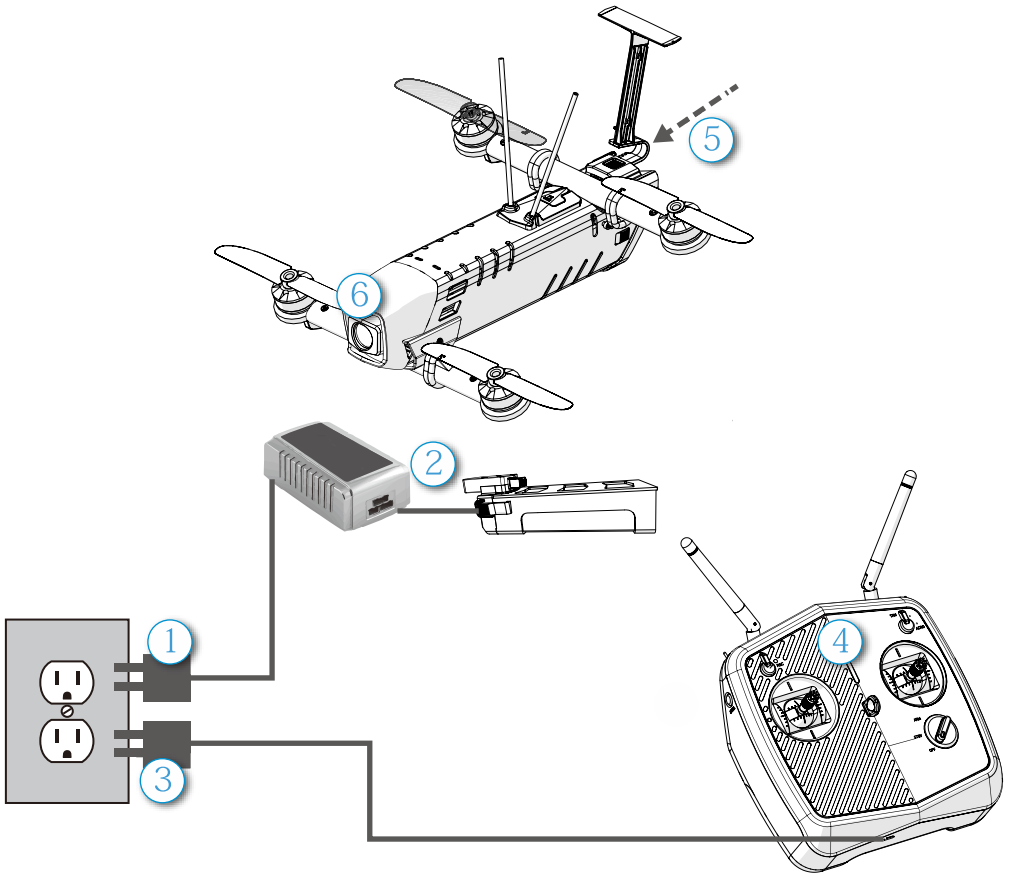


Quick Guide

Charging and Assembly



Copyright © 2016 Amimon LTD, All rights reserved. No part of this publication may be reproduced, transmitted, transcribed, stored in a retrieval system, or translated into any language or computer language, in any form or by any means, electronic, mechanical or otherwise without prior written permission of Amimon LTD.

Drone LiPo Battery Safety

Caution:

Risk of serious injury - DO NOT insert the drone battery into the drone before thoroughly reading this Quick Guide.

There is a danger of serious damage or injury if the LiPo (lithium polymer) battery is not used correctly:

- Charge in a fire safe environment.
- Do not leave the charger unattended during charging and disconnect the battery as soon as charging is complete.
- Do not charge a damaged LiPo battery.
- Do not drain the battery below 14.0v by ignoring low battery warning or by leaving the battery inside the drone for an extended period of time. This will permanently damage the battery.

To store the battery for an extended period of time, operate the drone until the low battery indicator appears and then charge the battery for 15 minutes.

Please read the complete safety instructions in the [Falcore Drone Operation Manual](#) .

Drone Battery Plate

Any standard S4 LiPo battery with an XT60 connector can be used to power the drone using the drone battery plate.

To assemble the battery plate:

Charging the Drone Battery

The drone LiPo battery is partially charged out of the box. You must charge the battery before flying for the first time. A fully charged battery provides 7 – 8 minutes of flight time.

To charge the drone LiPo battery:

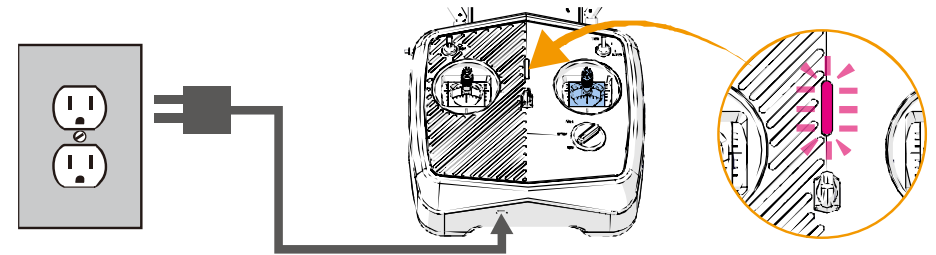
- 1 Connect the battery charger to the power source and connect the battery plug to the charger.
- 2 Charge until all the charger LEDs are lit (approx. 1 hour).



Charging the Remote Control

- 3 Connect the power supply cable to the remote control and to the power source.

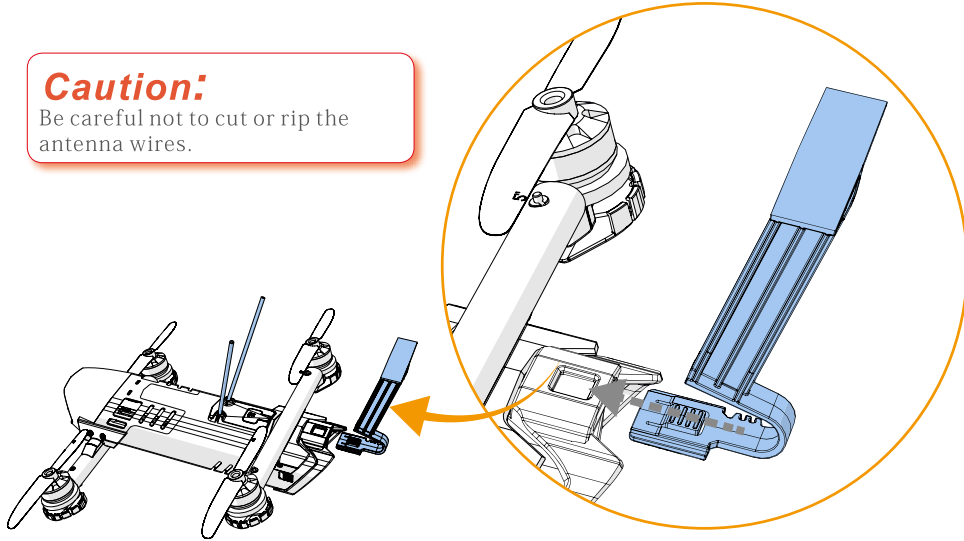
- 4 Charge the remote control for approximately 6 hours. Turn the remote control power switch to STBY and make sure that all remote control LEDs are lit.



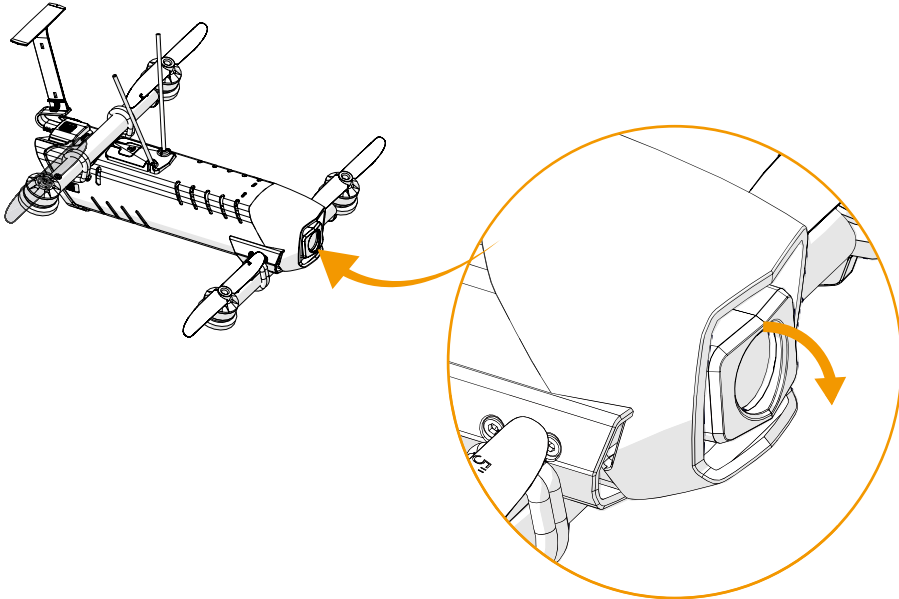
5 Remove the tie from the transmitter antenna and click the antenna base into the drone.

Caution:

Be careful not to cut or rip the antenna wires.



6 Set the camera angle. Point the camera down about 20 degrees for early flights. Tilt the camera upwards as you gain confidence and increase your flying speed.



Propeller Guards Assembly

The optional propeller guards might not be included in the package.

Propeller guards are recommended for early flights. They help protect your drone when it collides with an obstacle.

Caution:

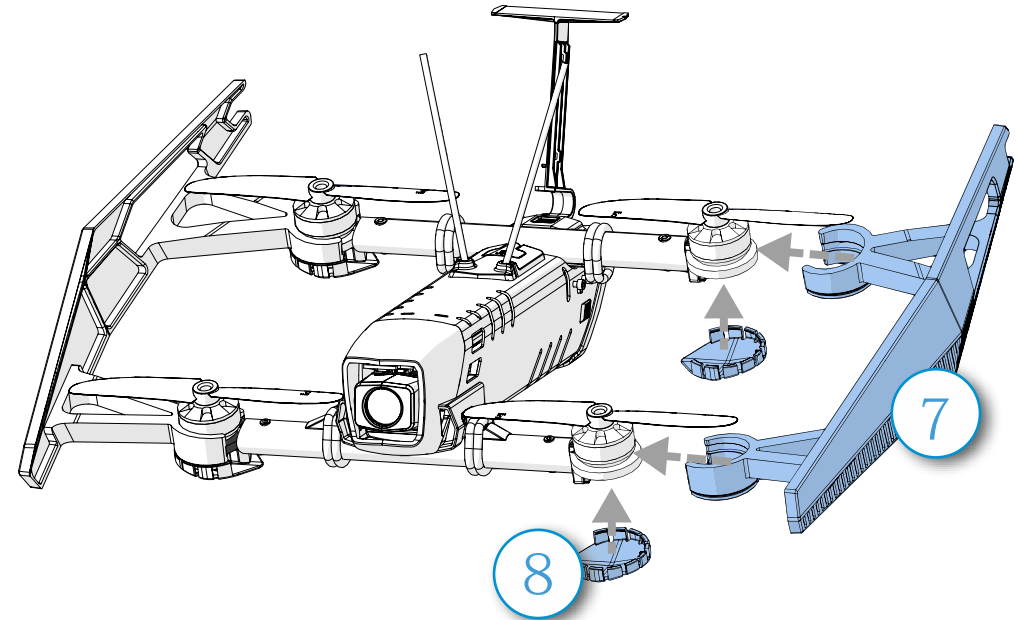
Propeller guards do not prevent injury from a drone collision. Always fly away from people and animals.

Note:

Propeller guards shorten the battery flight time, slow down the drone and affect the way the drone turns.

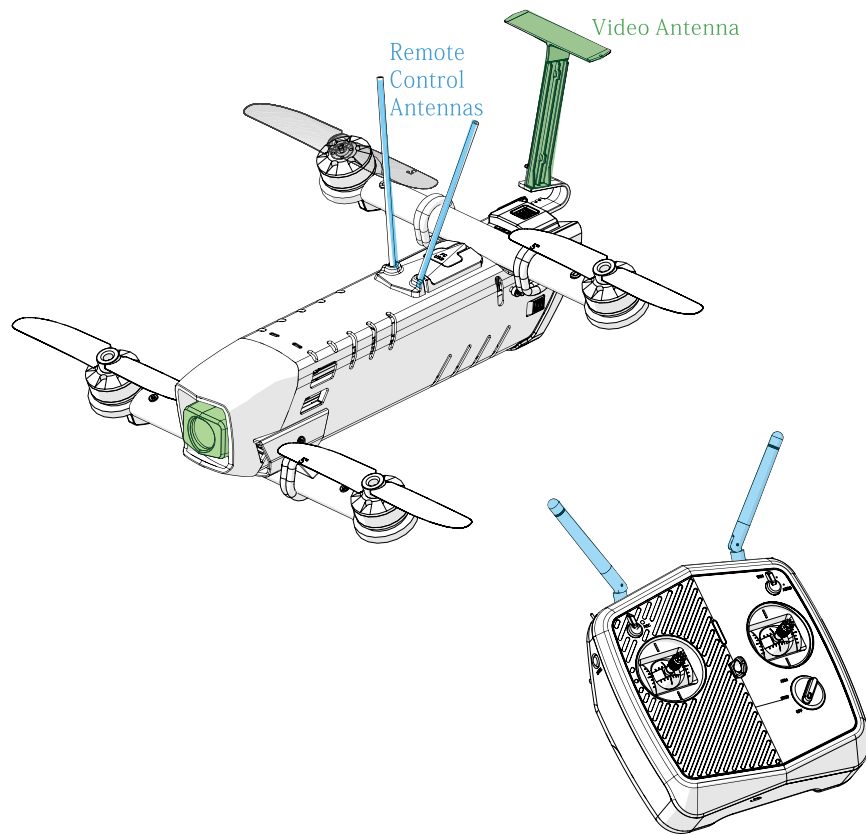
To assemble the propeller guards:

- 7 Snap the propeller guards onto the motors as shown below.
- 8 Snap the caps onto the guards.



The drone is ready to fly!

Quick Guide Flight Instructions



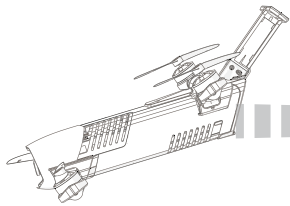
Flight Safety

Warning:

Risk of serious injury – DO NOT insert the drone battery into the drone before thoroughly reading this Quick Guide.

Please read all safety information in the Falcore Drone Operation Manual

- When flying FPV, always ask someone to be a spotter. The spotter watches the drone and flight area to alert you to potential danger to you or others.
- Do not permit anyone to approach or touch the drone while the power switch is in the ARM position.
- Avoid very fast or long distance flights until you have gained sufficient flight experience and confidence.
- When the low battery indication appears, land the drone as soon as possible and remove the battery.
- The antenna(s) used for this transmitter must be installed to provide a separation distance of at least 20 cm from all persons



Where to Fly

Falcore is fast and powerful, so it is important to choose a suitable flight area.

- Never fly indoors or in a space that is too small to fly freely.
- Find a flat, wide open space that is:
 - » a safe distance from all obstacles including people, animals, cars, buildings and power lines.
 - » a safe distance from highways.
 - » at least 5 miles from the nearest airport.
- It is highly recommended to perform early flights over short grass.
- Do not fly in a drone restricted area.
- Check local legislation for additional information about where to fly.

