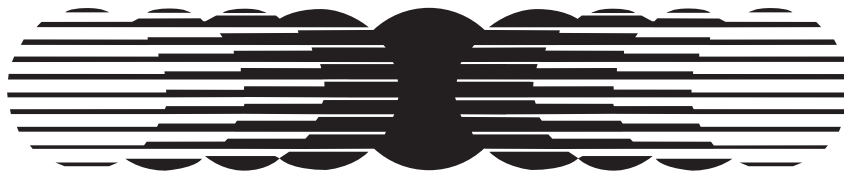


# PARTS MANUAL

2012  
HARVESTER  
12ROW22 - WHEEL

Amity  
TECHNOLOGY



2800 7<sup>TH</sup> Avenue North  
Fargo, ND 58102

Phone: (701) 232-4199  
Fax: (701) 234-1716  
[www.amitytech.com](http://www.amitytech.com)



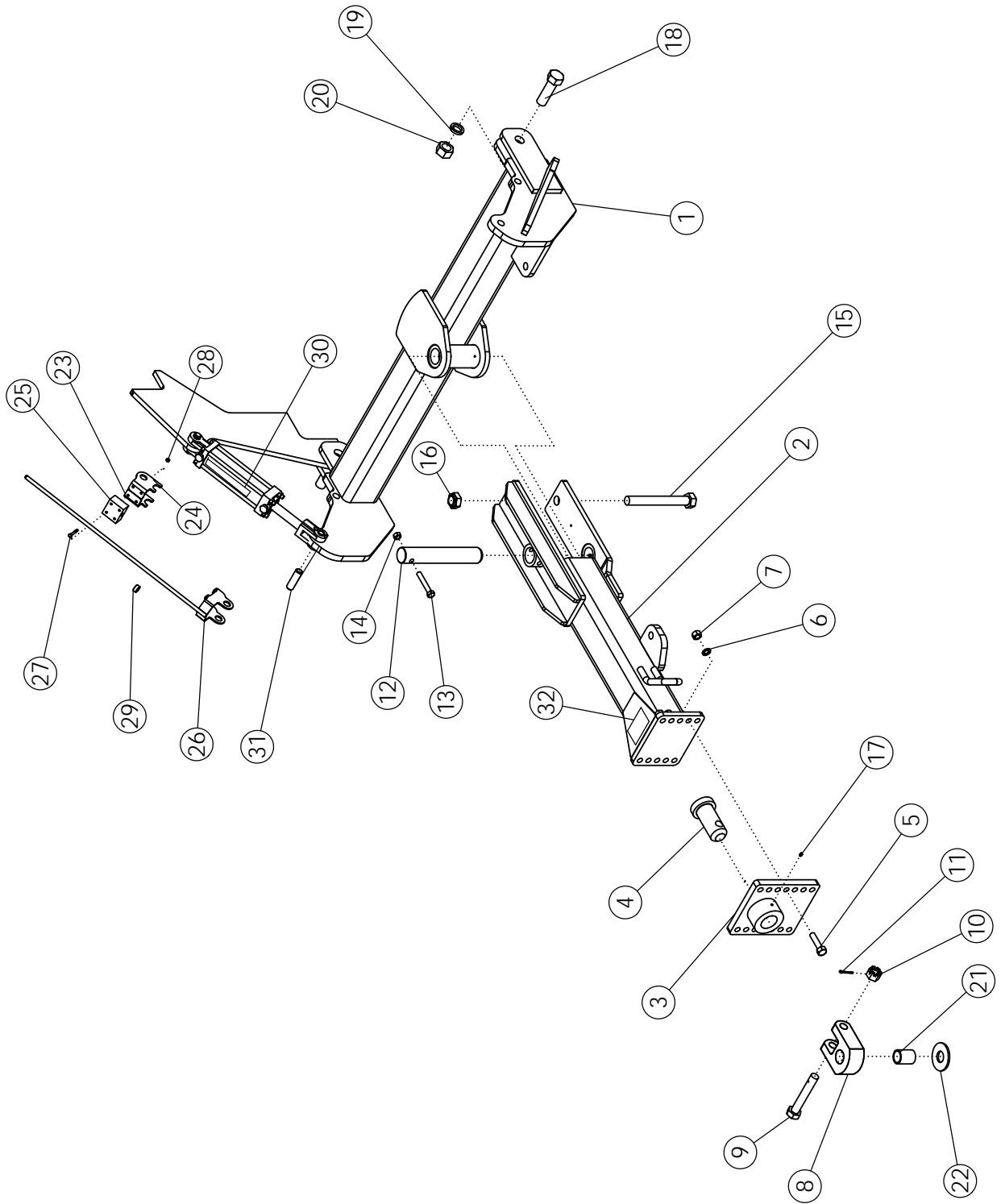


# TABLE OF CONTENTS

HITCH ASSEMBLY.....	1-2
LIFTER STRUT.....	3-10
HYDRAULIC ROW FINDER.....	11-14
GUARDS & SHIELDS.....	15-20
APRON SHAFT.....	21-24
PADDLE SHAFT.....	25-28
CLEANING ROLLS.....	29-32
CLEANING ROLL MOUNTING PACKAGE.....	33-34
MAIN DRIVE.....	35-38
APRON SHAFT DRIVE.....	39-40
PADDLE SHAFT DRIVE.....	41-42
HYDRAULIC PADDLE SHAFT DRIVE.....	43-44
CLEANING ROLL DRIVE.....	45-46
JUMP CHAIN.....	47-48
WHEEL JUMP CHAIN DRIVE.....	49-50
TANK ASSEMBLY.....	51-52
ELEVATOR ASSEMBLY.....	53-54
ELEVATOR BOOM.....	55-56
WHEEL ASSEMBLY.....	57-58
WHEEL CONVEYOR.....	59-62
WHEEL DRIVE.....	63-64
FRAME EXTENSION.....	65-66
AXLE COMPONENTS.....	67-68
STEERABLE STRUT ASSEMBLY.....	69-70
STEERABLE STRUT ASSEMBLY ADC.....	71-72
STEERING INDICATOR ASSEMBLY.....	73-74
SPINDLE & HUB ASSEMBLY.....	75-76
LIGHT KIT.....	77-78
HYDRAULIC PADDLE DRIVE HYDRAULICS.....	79-80
AXLE HYDRAULICS.....	81-82
STEERABLE STRUT HYDRAULICS.....	83-84
ROW FINDER & HITCH HYDRAULICS.....	85-86
3-BANK VALVE.....	87-88
4-BANK VALVE.....	89-90
VALVE GROUP.....	91-92
TANK HYDRAULICS.....	93-94
WHEEL HYDRAULICS.....	95-96
HYDRAULIC TANK.....	97-98
REVERSE #4 GRABROLL #62107 (OPTIONAL).....	99-100
HARVESTER STAND (OPTIONAL).....	101-102

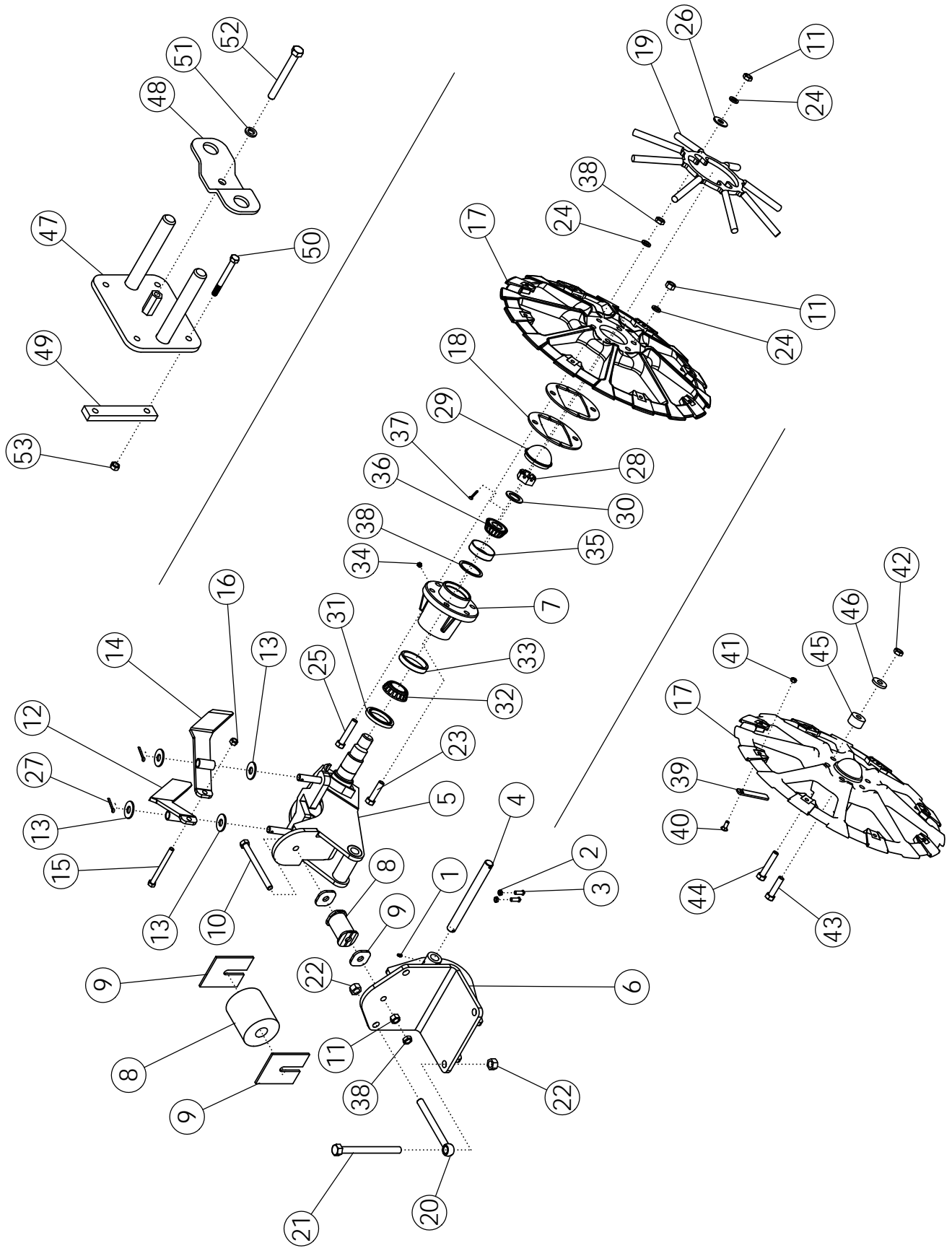
---

PTO DRIVELINE 1.75" – 20 SPLINE #51481.....	103-104
GEARBOX (1.82:1) #300142 4-WAY.....	105-106
SELECTOR VALVE #58470.....	107-108
ROW FINDER VALVE #62350.....	109-110
SPROCKET #54824.....	111-112
BELT TIGHTENER #72749.....	111-112
BELT TIGHTENER #72058 & #72453.....	113-114
SLIP CLUTCH/SPROCKET #72030.....	115-116
SLIP CLUTCH/SPROCKET #58335.....	115-116
SLIP CLUTCH/SPROCKET #57993.....	115-116
IDLER PULLEY #56406.....	117-118
SPROCKET IDLER #56851.....	117-118
ROLLER.....	119-120
BELT LAP JOINT.....	121
3 BELT LAP JOINT.....	122
TOOL CUTTER.....	123



# HITCH ASSEMBLY

ITEM	PART NO.	DESCRIPTION	QTY
1	72023	WLDMT - HITCH PIVOT 12R	1
2	57928	WLDMT - DRAWPOLE	1
3	57930	WLDMT-HITCH PLATE	1
4	62101	WLDMT-PIN	1
5	1012059	BOLT-HEX: .75 X 3.00 NC GR5 ZP	6
6	1012061	WASHER-LOCK: .75 ZP	6
7	1011620	NUT-HEX: .75 NC	6
8	64476	PLATE-PULL HITCH	1
9	62477	BOLT-HITCH DRILLED	1
10	62088	NUT-SLOTTED: 1.13 NC GR5 ZP	1
11	1013473	PIN-COTTER: .19 X 2.00 NP	1
12	50678	PIN	1
13	1015117	BOLT-HEX: .63 X 4.00 NC GR8 ZP	1
14	1016595	NUT-TOPLOCK: .63 NC GR5 ZP	1
15	1030756	BOLT-HEX: 1.25 X 10.50 NC GR5 ZP	1
16	1030759	NUT-TOPLOCK: 1.25 NC ZP	1
17	1011748	ZERK - GREASE	4
18	72021	BOLT-HEX: 1.38 X 4.50 NC GR5 ZP	2
19	1030760	WASHER-LOCK: 1.38 ZP	2
20	1030758	NUT-HEX: 1.38 NC ZP	2
21	64614	SLEEVE 1.38	1
	64615	SLEEVE 1.25	
22	58925	HARDENED WASHER	1
23	63995	TOP BRACKET RH	1
24	63996	TOP BRACKET LH	1
25	63383	POLY GUIDE BLOCK	1
26	63999	WLDMT - BOTTOM_BRACKET	1
27	1016211	BOLT-HEX: .25 X 2.00 NC GR5	4
28	1030946	NUT-TOPLOCK: .25 NC GR5 ZP	4
29	63359	SET COLLAR .56	1
30	63405	DECAL-DEPTH GAUGE	1
31	63406	PIN-CLEVIS: 1.00 X 4.00 ZP	2
32	52448	DECAL-CAUTION	1
33	69256	CHAIN-SAFETY 41000# (NOT SHOWN)	1

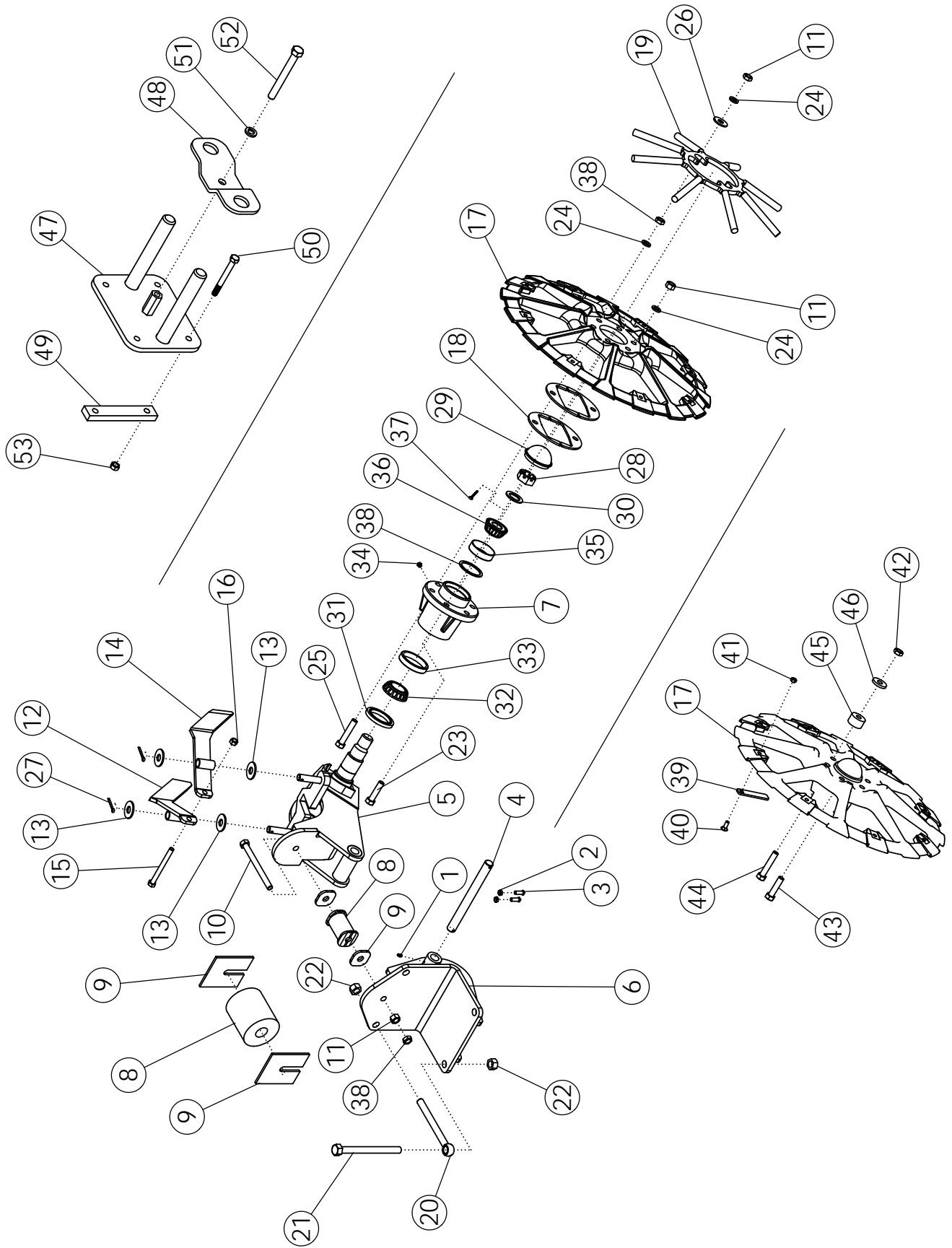




# LIFTER STRUT

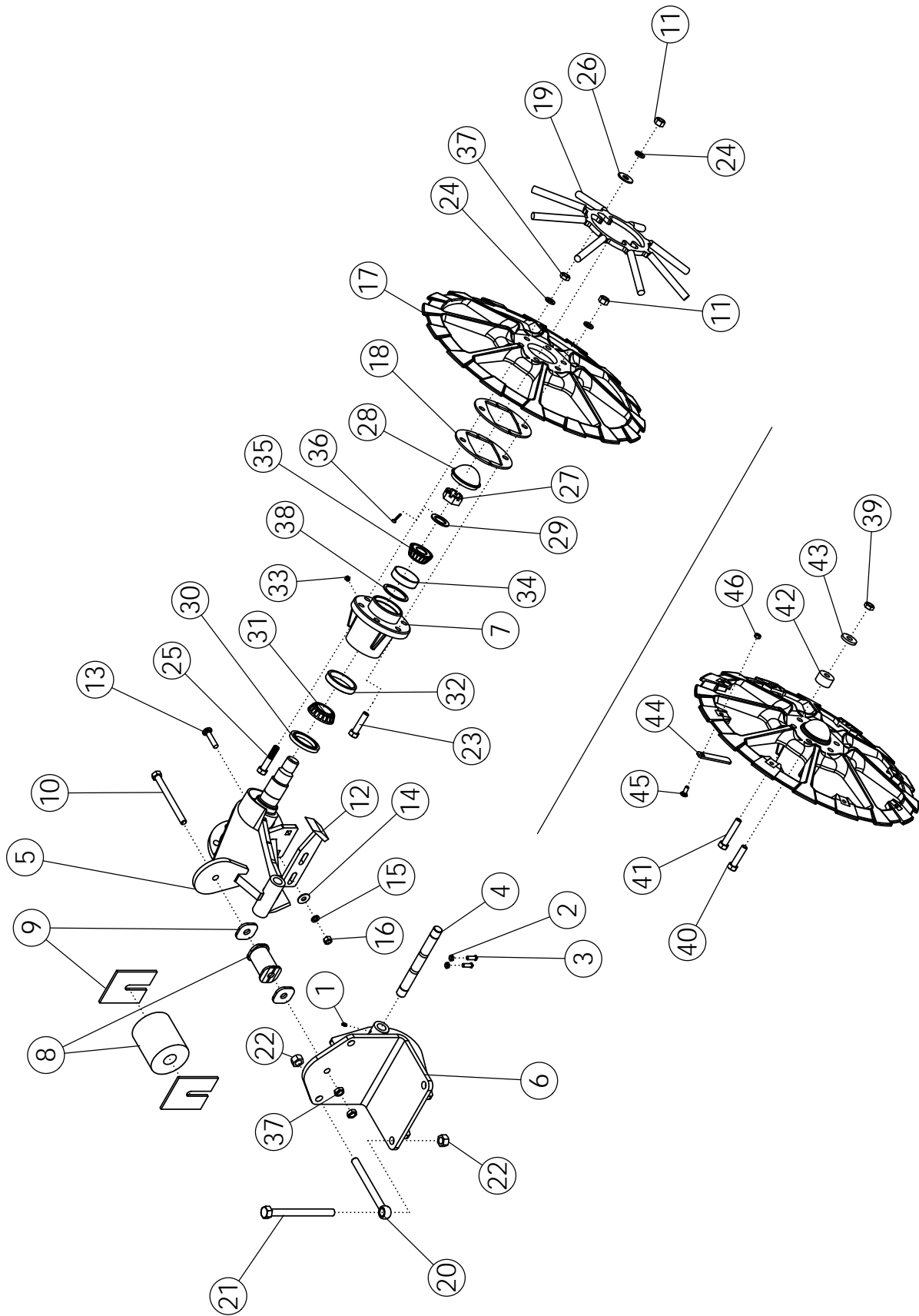
ITEM	PART NO.	DESCRIPTION	QTY
1	1011748	ZERK - GREASE: .25 UNF	2
2	1013519	NUT-JAM: .38 NC GR2 ZP	2
3	50813	SCREW-SET: SQ HD .38 X 1.00 ZP	2
4	69907	SHAFT-STRUT	1
5	50142	STRUT-SPINDLE ASSY-STD	1
6	50146	WLDMT-STRUT BRACKET	1
7	63655	HUB-MACHINED	2
8	50134	WLDMT-SPACER ZP	1
	51542	BUMPER-RUBBER	1
9	50137	WASHER SQUARE ZP	2
	50139	PLATE ZP	2
10	1030761	BOLT-HEX: .63 X 7.00 NC GR 8 ZP	1
11	1011578	NUT-HEX: .63 NC GR5 ZP	13
12	50715	WLDMT-SCRAPER RH	1
13	1030702	WASHER-FLAT: .75 ZP	4
14	50716	WLDMT-SCRAPER LH	1
15	1016660	BOLT-HEX: .50 X 5.50 NC GR5 ZP	1
16	1027461	NUT-TOPLOCK: .50 NC GR5 ZP	1
17	69856	LIFTER WHEEL MACHINED PAINTED	2
	300734	LIFTER WHEEL HARD PAINTED	
18	50747	PLATE-LIFTER WHEEL SPACER ZP	AR
19	63880	WLDMT-WHEEL FILLER (OPTIONAL)	2
20	64135	BOLT-EYE: .75 X 8.00 ZP	2
21	64136	BOLT-HEX: .75 X 8.50 NC GR5 ZP	2
22	1017000	NUT-TOPLOCK: .75 NC GR5 ZP	4
23	1013023	BOLT-HEX: .63 X 2.50 NC GR5 ZP	8
24	1011813	WASHER-LOCK: .63 ZP	16
25	65825	BOLT-HEX: .63 X 3.25 NC GR5 ZP	4
26	1013024	WASHER-FLAT: .63 ZP	4
27	1013473	PIN-COTTER: .19 X 2.00 NP	2
28	1016367	NUT-SPINDLE: 1.38 NF NP	2
29	63624	HUB CAP ROUNDED ZP	2
30	1030765	BUSHING-MACHINED: 1.38 NR 10 GA	2
31	53632	SEAL	2
32	53634	CONE-BEARING INNER	2
33	53636	CUP-BEARING INNER	2
34	1030766	ZERK - GREASE .13 NPT STRAIGHT	2
35	53635	CUP-BEARING OUTER	2
36	53633	CONE-BEARING OUTER	2
37	64012	PIN-COTTER: .19 X 3.00 NP	2

CONTINUED



## LIFTER STRUT (CONTINUED)

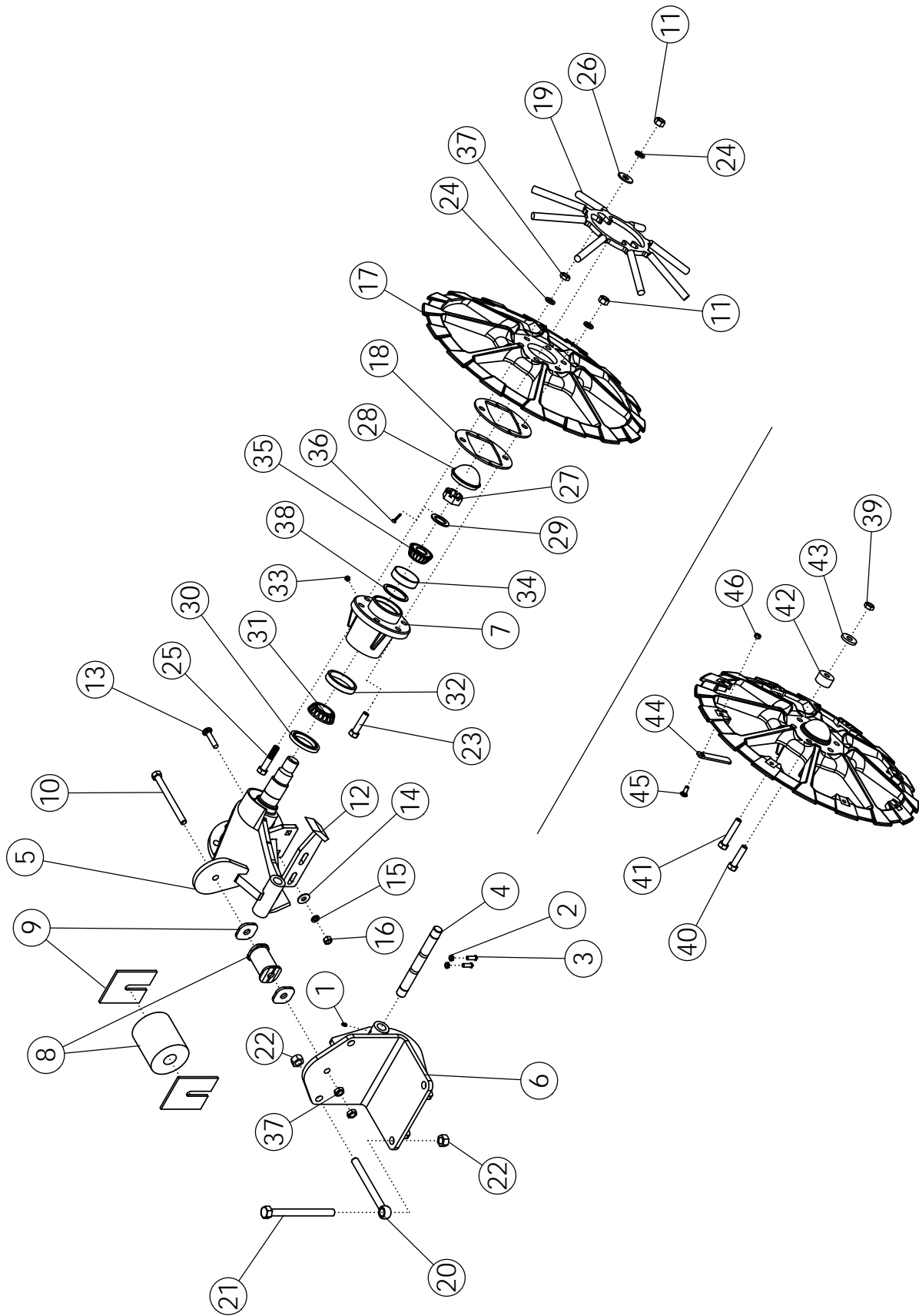
ITEM	PART NO.	DESCRIPTION	QTY	
38	64674	RACE-SPACER (.120)	AR	
39	300097	PLATE-LIFTER WHEEL FILLER	8	
40	59488	BOLT-CRG: .38 X 1.00 NC GR5 ZP	8	
41	1016999	NUT-TOPLOCK: .38 NC GR5 ZP	8	
<b>OPTIONAL URETHANE BUSHING</b>				
42	1016595	NUT-TOPLOCK: .63 GR5 ZP	12	
43	1014000	BOLT-HEX: .63 X 3.50 NC GR5 ZP	8	
44	1013935	BOLT-HEX: .63 X 4.50 NC GR5 ZP	4	
45	51705	BUSHING	12	
46	50822	WASHER-FLAT: .63 GR8 ZP	12	
<b>OPTIONAL WHEEL FILLER BRACKET</b>			6-8ROW	12 ROW
47	64658	WLDMT-WHEEL FILLER BRACKET	2	3
48	64659	PLATE-RETAINER	2	3
49	63372	BAR-BACKING	4	6
50	58176	BOLT-HEX: .38 X 3.50 NC GR5 ZP	8	12
51	1011581	WASHER-LOCK: .50 ZP	2	3
52	1013682	BOLT-HEX: .50 X 4.50 NC GR5 ZP	2	3
53	1016999	NUT-TOPLOCK: .38 NC GR5 ZP	8	12



# LIFTER STRUT - BOTTOM SCRAPER OPTION

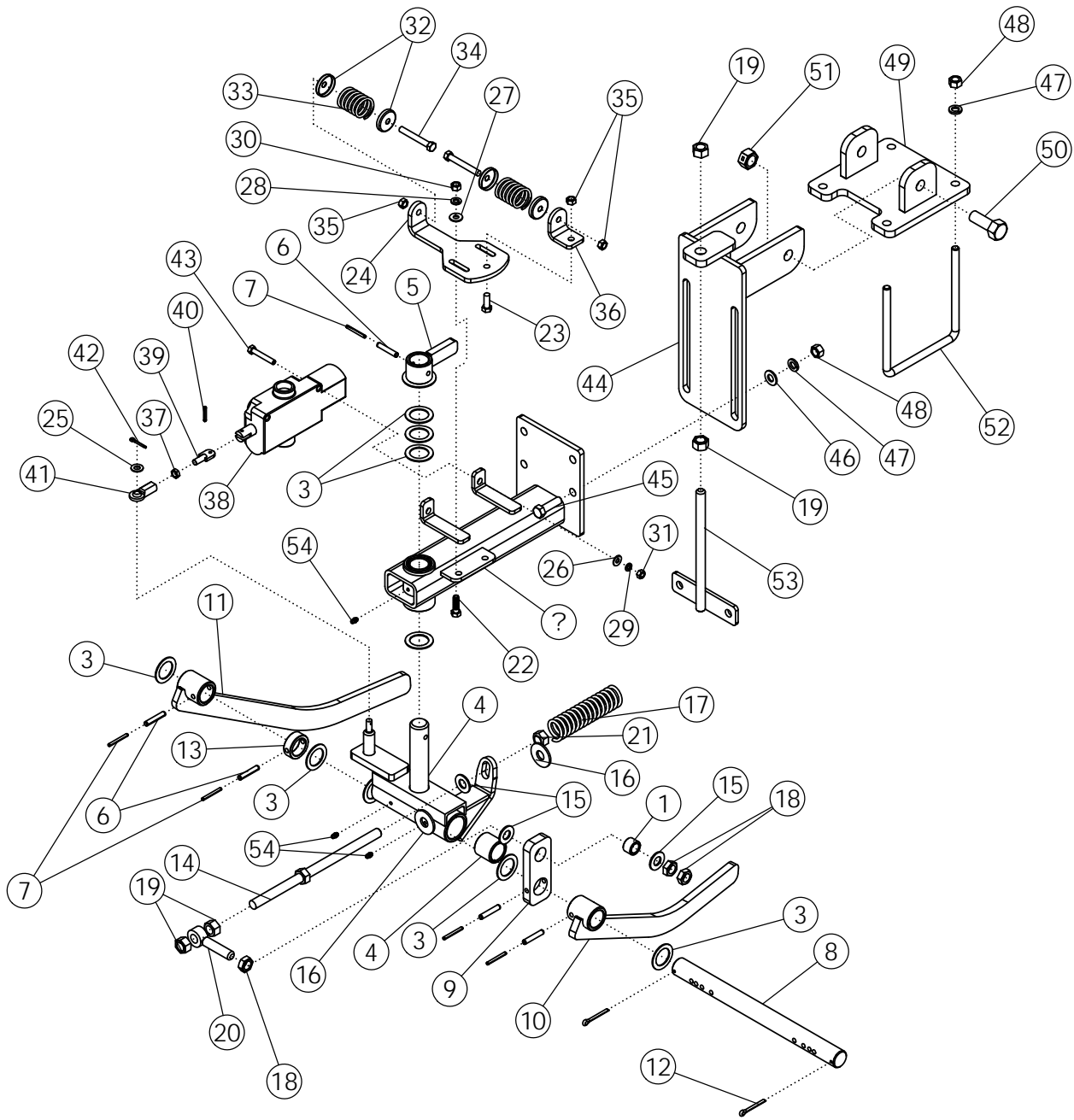
ITEM	PART NO.	DESCRIPTION	QTY
1	1011748	ZERK - GREASE: .25 UNF	2
2	1013519	NUT-JAM: .38 NC GR2 ZP	2
3	50813	SCREW-SET: SQ HD .38 X 1.00 ZP	2
4	64376	SHAFT-STRUT	1
5	68095	WLDMT-SP LIFTER STRUT STD	1
6	50146	WLDMT-STRUT BRACKET	1
7	63655	HUB-MACHINED	2
8	50134	WLDMT-SPACER ZP	1
	51542	BUMPER-RUBBER	1
9	50137	WASHER SQUARE ZP	2
	50139	PLATE ZP	2
10	1030761	BOLT-HEX: .63 X 7.00 NC GR 8 ZP	1
11	1011578	NUT-HEX: .63 NC GR5 ZP	12
12	64369	WLDMT-SCRAPER	2
13	64685	BOLT-CRG: .50 X 2.25 NC GR5 ZP	2
14	1014443	WASHER-FLAT: .50 ZP	2
15	1011581	WASHER-LOCK: .50 ZP	2
16	1011577	NUT-HEX: .50 NC GR5 ZP	2
17	69856	LIFTER WHEEL MACHINED PAINTED	2
	300734	LIFTER WHEEL HARD PAINTED	
18	50747	PLATE-LIFTER WHEEL SPACER ZP	AR
19	63880	WLDMT-WHEEL FILLER (OPTIONAL)	2
20	64135	BOLT-EYE: .75 X 8.00 ZP	2
21	64136	BOLT-HEX: .75 X 8.50 NC GR5 ZP	2
22	1017000	NUT-TOPLOCK: .75 NC GR5 ZP	4
23	1013023	BOLT-HEX: .63 X 2.50 NC GR5 ZP	8
24	1011813	WASHER-LOCK: .63 ZP	16
25	65825	BOLT-HEX: .63 X 3.25 NC GR5 ZP	4
26	1013024	WASHER-FLAT: .63 ZP	4
27	1016367	NUT-SPINDLE: 1.38 NF NP	2
28	63624	HUB CAP ROUNDED ZP	2
29	1030765	BUSHING-MACHINED: 1.38 NR 10 GA	2
30	53632	SEAL	2
31	53634	CONE-BEARING INNER	2
32	53636	CUP-BEARING INNER	2
33	1030766	ZERK - GREASE .13 NPT STRAIGHT	2
34	53635	CUP-BEARING OUTER	2
35	53633	CONE-BEARING OUTER	2
36	64012	PIN-COTTER: .19 X 3.00 NP	2
37	1026259	NUT-JAM: .63 NC ZP	5
38	64674	RACE-SPACER (.120)	AR

CONTINUED



# LIFTER STRUT - BOTTOM SCRAPER (CONTINUED)

ITEM	PART NO.	DESCRIPTION	QTY
<hr/>			
<b>OPTIONAL URETHANE BUSHING</b>			
<hr/>			
39	1016595	NUT-TOPLOCK: .63 GR5 ZP	12
40	1014000	BOLT-HEX: .63 X 3.50 NC GR5 ZP	8
41	1013935	BOLT-HEX: .63 X 4.50 NC GR5 ZP	4
42	51705	BUSHING	12
43	50822	WASHER-FLAT: .63 GR8 ZP	12
44	300097	PLATE-LIFTER WHEEL FILLER	8
45	59488	BOLT-CRG: .38 X 1.00 NC GR5 ZP	8
46	1016999	NUT-TOPLOCK: .38 NC GR5 ZP	8

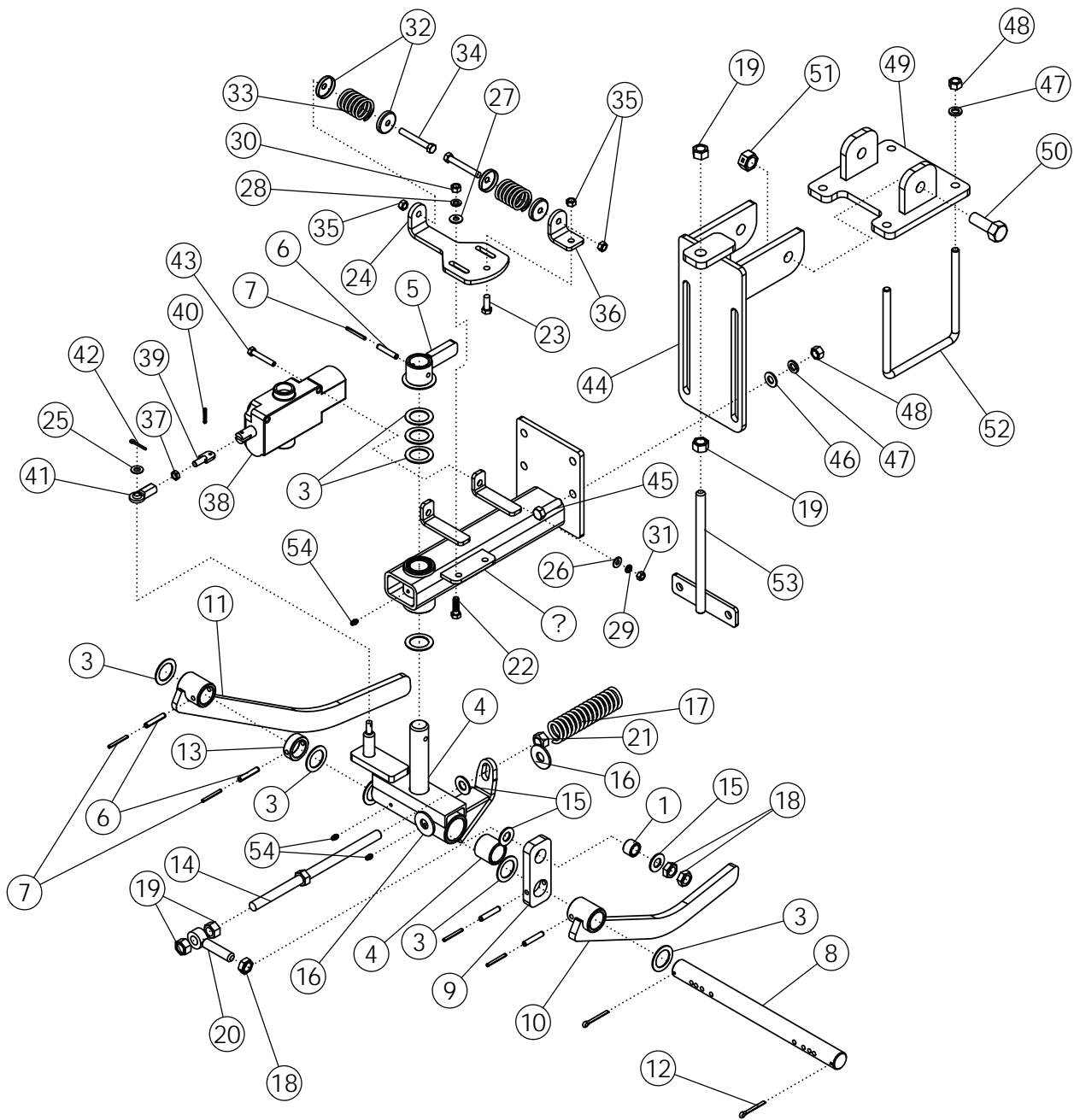




# HYDRAULIC ROW FINDER #51486

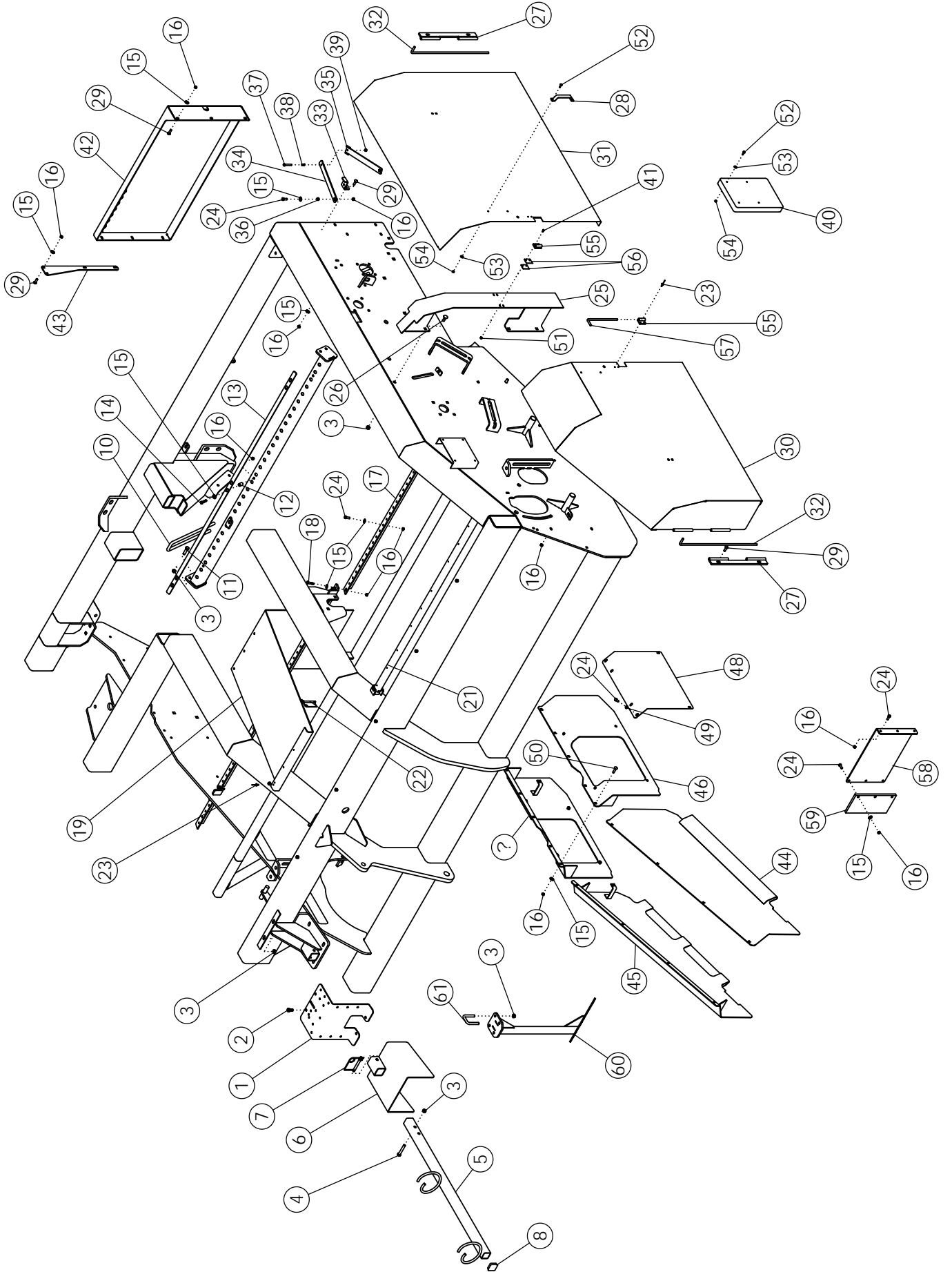
ITEM	PART NO.	DESCRIPTION	QTY
1	52567	BUSHING-ZP	1
2	62520	ASSY-MAIN FRAME	1
3	55206	BUSHING-MACH: 1.25 NR 14GA	9
4	51139	ASSY - SWIVEL	1
5	51130	WLDMT-FLIPPER	1
6	1030793	PIN-ROLL: .31 X 1.75 ZP	5
7	1030798	PIN-ROLL: .19 X 1.75 ZP	5
8	51690	SHAFT ZP	1
9	52566	TENSIONER ARM	1
10	51131	SENSOR ARM-L.H.	1
11	52564	SENSOR ARM-R.H.	1
12	1030797	PIN-COTTER: .19 X 1.75 NP	2
13	51137	COLLAR	1
14	52565	ADJUSTMENT BOLT	1
15	1013004	WASHER-FLAT: SAE .63 ZP	3
16	1013024	WASHER-FLAT: .63 ZP	2
17	51692	SPRING: .21 X 1.44 OD X 6.00 15 COILS	1
18	1026259	NUT-JAM: .63 NC GR2 ZP	3
19	1011578	NUT-HEX: .63 NC GR2 ZP	4
20	51691	EYEBOLT: .63 X 3.25 ZP	1
21	1016595	NUT-TOPLOCK: .63 NC GR5 ZP	1
22	1011601	BOLT-HEX: .38 X 1.25 NC GR5 ZP	2
23	1011600	BOLT-HEX: .38 X 1.00 NC GR5 ZP	1
24	51129	PLATE	1
25	1014608	WASHER-FLT: SAE .38 ZP	1
26	1020416	WASHER-FLAT: .25 ZP	2
27	1011583	WASHER-FLAT: .31 ZP	2
28	1011586	WASHER-LOCK: .38 ZP	2
29	1029115	WASHER-LOCK: .31 ZP	2
30	1011576	NUT-HEX: .38 NC GR2 ZP	2
31	1011575	NUT-HEX: .31 NC GR2 ZP	2
32	52582	SPRING CAP	4
33	51689	SPRING	2
34	1019828	BOLT-HEX: .38 X 2.75 NC GR5 ZP	2
35	1016999	NUT-TOPLOCK: .38 NC GR5 ZP	3
36	51128	SPRING PLATE	1
37	1030792	NUT-JAM: .38 NF GR2 ZP	1
38	301150	VALVE-ROWFINDER O/C	1
39	62540	PLATE STUD ZP	1
40	64157	PIN-ROLL: .19 X 1.125 ZP	1

CONTINUED



## HYDRAULIC ROW FINDER #51486 (CONTINUED)

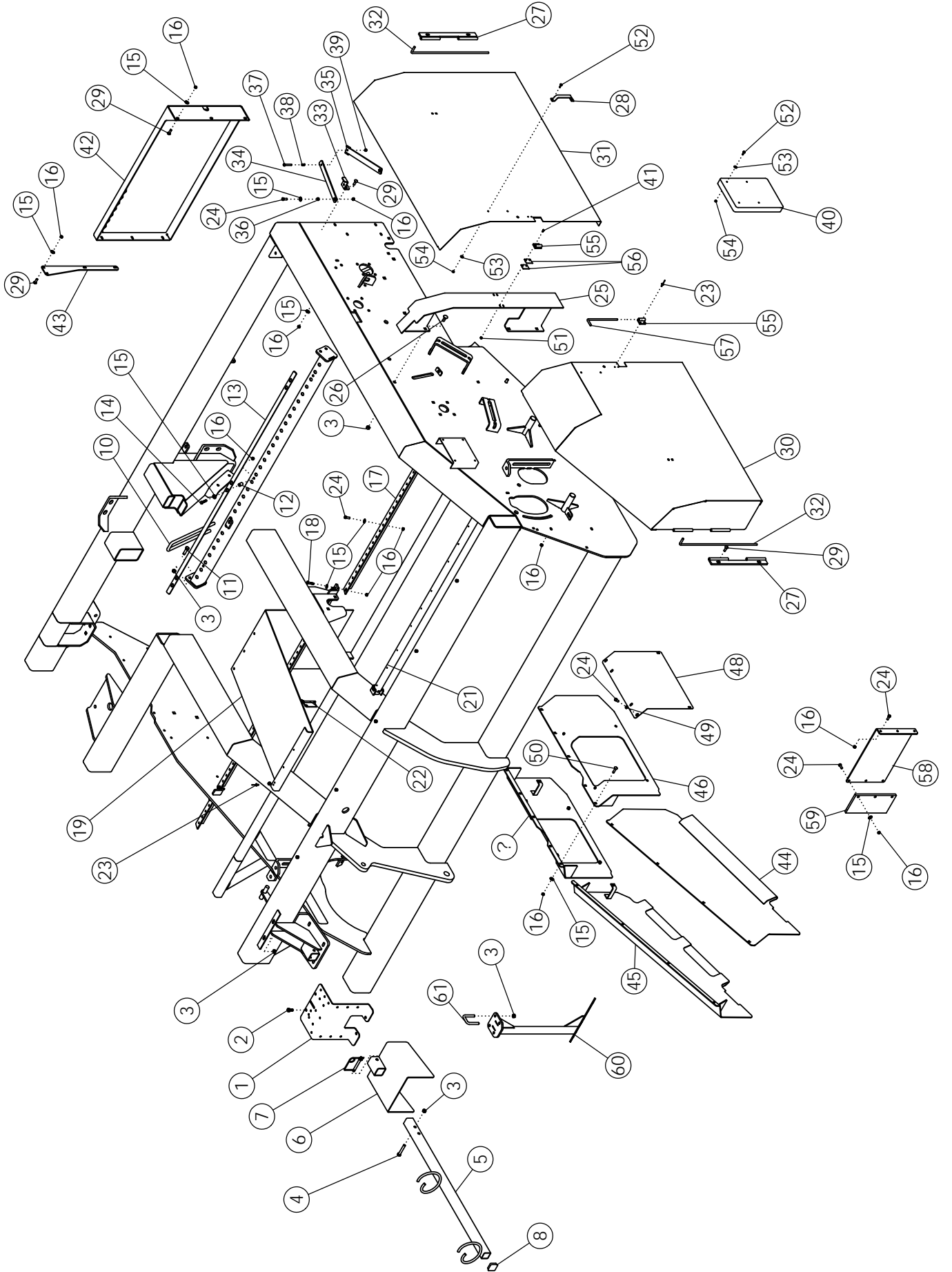
ITEM	PART NO.	DESCRIPTION	QTY
41	51136	UNIBALL COUPLING	1
42	64570	PIN-COTTER: .13 X 1.00 ZP	1
43	1011285	BOLT-HEX: .31 X 2.00 NC	2
44	52181	MOUNTING BRACKET	1
45	1011608	BOLT-HEX: .50 X 1.75 NC GR5 ZP	4
46	1011584	WASHER-FLAT: SAE .50 ZP	4
47	1011581	WASHER-LOCK: .50 ZP	8
48	1011577	NUT-HEX: .50 NC GR2 ZP	8
49	62871	WLDMT-BRACKET	1
50	1012060	BOLT-HEX: .75 X 2.00 NC GR5 ZP	2
51	1013537	NUT-TOPLOCK: .75 NC GR5 ZP	2
52	53984	U-BOLT 1/2 X 7 X 6 X 7	2
53	62882	TIGHTENER BOLT-ZP	1
54	1011748	ZERK - GREASE	3



# GUARDS AND SHIELDS FRONT

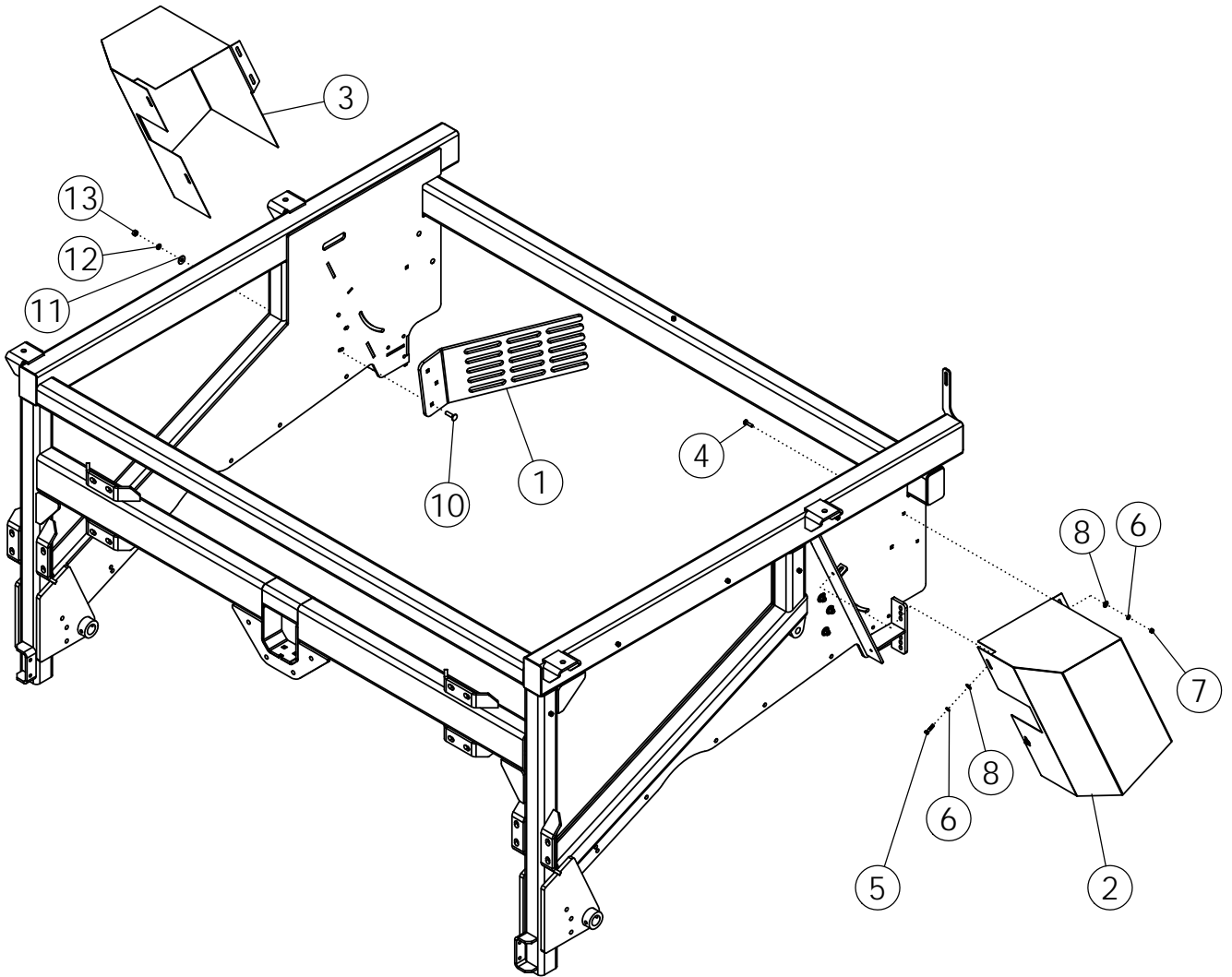
ITEM	PART NO.	DESCRIPTION	QTY
1	72071	PLATE-HOSE MOUNT	1
2	1011096	BOLT-HEX: .50 X 1.00 NC GR5 ZP	2
3	1027461	NUT-TOPLOCK: .50 NC GR5 ZP	57
4	1011611	BOLT-HEX: .50 X 3.00 NC GR5 ZP	1
5	54800	WLDMT-HOSE SUPPORT	1
6	63354	WLDMT-PTO SHIELD	1
7	52408	SPRING PIN .50 X 3.50	1
8	63869	CAPLUG-2" SQ	1
9	73256	WLDMT-MOUNT	2
10	300261	U-ROD: .625 X 17.00 X 1.875 X 17.00 ZP	30
11	1011608	BOLT-HEX: .50 X 1.75 NC GR5 ZP	8
12	58446	SPACER ZP	6
13	73255	STRAP	2
14	1011603	BOLT-HEX: .38 X 1.75 NC GR5 ZP	6
15	1011828	WASHER-FLAT .38 ZP	107
16	1016999	NUT-TOPLOCK: .38 NC GR5 ZP	105
17	72074	MOUNT-TARP	4
18	1011602	BOLT-HEX: .38 X 1.50 NC GR5 ZP	8
19	58961	APRON-RUBBER	12
20	73236	TUBE-INNER APRON MOUNT	2
21	73237	TUBE-OUTER APRON MOUNT	2
22	59101	SPRING PIN .38 X 3.00	4
23	1011974	RIVET-POP: .19 X .53 ZP	44
24	1011600	BOLT-HEX: .38 X 1.00 NC GR5 ZP	64
25	72666	WLDMT-DOOR MOUNT	2
26	1023854	BOLT-CRG: .50 X 1.25 NC GR5 ZP	4
27	72680	WLDMT-DOOR HINGE	4
28	68715	HANDLE-GRAB DOOR	4
29	1016362	BOLT-CRG: .38 X 1.25 NC GR5 ZP	24
30	72651	WLDMT-FRONT DOOR LH	1
	72655	WLDMT-FRONT DOOR RH (NOT SHOWN)	1
31	72661	WLDMT-REAR DOOR LH	1
	72664	WLDMT-REAR DOOR RH (NOT SHOWN)	1
32	51303	DOOR HINGE ROD ZP	4
33	72697	PLATE-DOOR TAB REAR	4
34	72692	PLATE-DOOR LOCK	4
35	72694	WLDMT-DOOR LOCK	4
36	51973	BUSHING-LINKAGE	8
37	1011285	BOLT-HEX: .31 X 2.00 NC	4
38	65278	SPRING-SCRAPER	4
39	1030700	NUT-TOPLOCK: .31 NC GR5 ZP	4

CONTINUED



## GUARDS AND SHIELDS FRONT (CONTINUED)

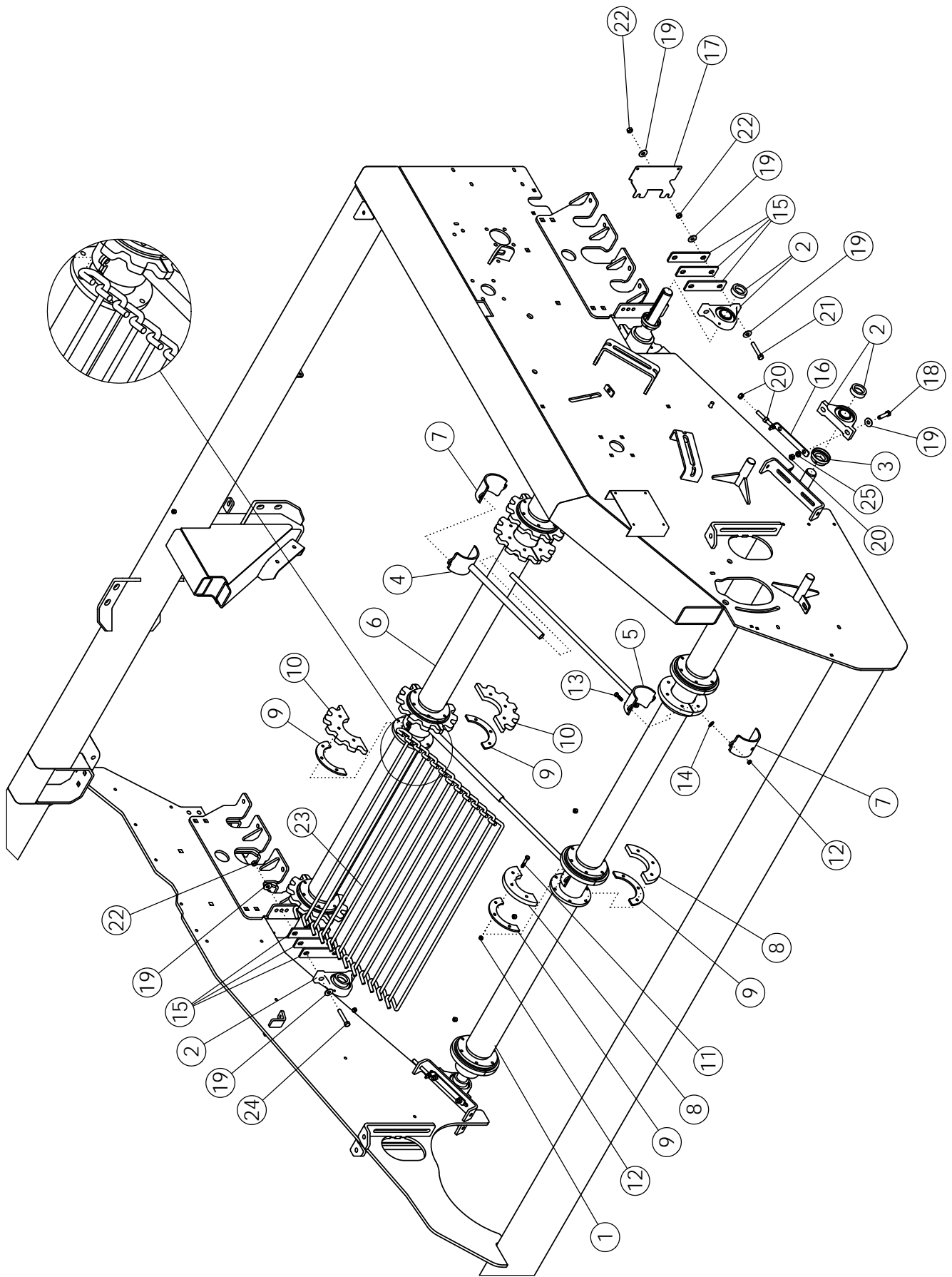
ITEM	PART NO.	DESCRIPTION	QTY
40	64635	CASE-MANUAL STORAGE	1
41	1013462	SCREW-R-H-SL: .19 X .50 NC GR2	8
42	72873	WLDMT-SHIELD REAR	2
43	72870	PLATE-SHIELD MOUNT	2
44	72783	WLDMT-MIDDLE SHIELD FRONT LEFT	1
45	72784	WLDMT-MIDDLE SHIELD FRONT RH	1
46	73148	WLDMT-MIDDLE SHIELD REAR LH	1
47	73149	WLDMT-MIDDLE SHIELD REAR RH	1
48	73158	SHEET-COVER	2
49	1011586	WASHER-LOCK: .38 ZP	8
50	58679	BOLT-CRG: .38 X 1.50 NC GR5 ZP	11
51	1026591	NUT-K-LOCK: #10-24 NC GR2 ZP	8
52	1011595	BOLT-HEX: .25 X .75 NC GR5 ZP	12
53	1020416	WASHER-FLAT: .25 ZP	12
54	1030946	NUT-TOPLOCK: .25 NC GR5 ZP	12
55	69140	WLDMT-DOOR LATCH ZP	8
56	69141	PLATE-DOOR LATCH SPACER	8
57	51304	DOOR LOCK ZP	4
58	73235	ANGLE-12R 50CM	2
	72573	ANGLE-12R22	
	72574	ANGLE-8R30	
59	51680	DEFLECTOR-RUBBER	2
60	62378	WLDMT-DEFLECTOR	10
61	65658	U-BOLT: .50 X 3 X 2.063 X 3	20





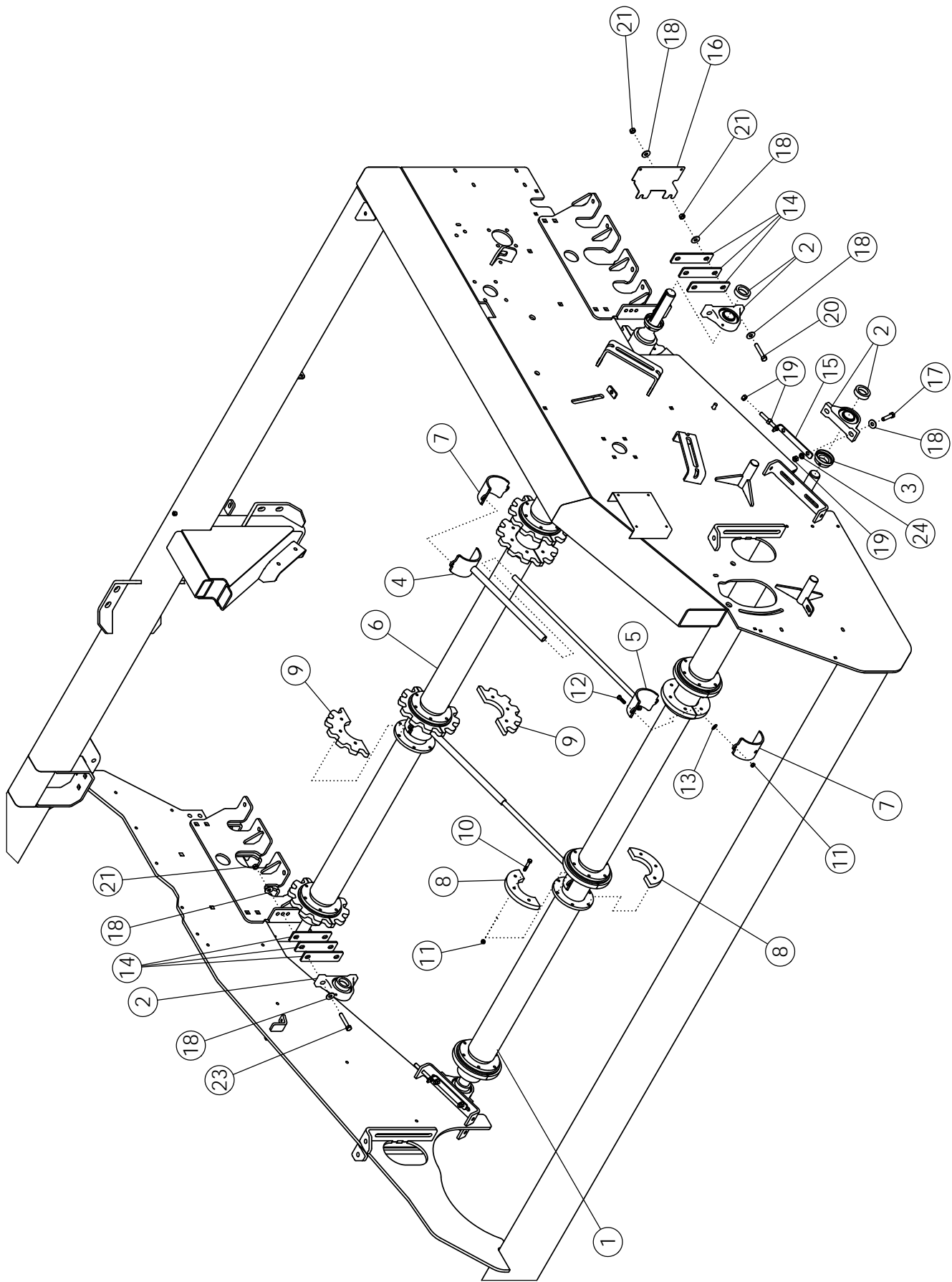
## REAR GUARDS AND SHIELDS

ITEM	PART NO.	DESCRIPTION	QTY
1	300209	PLATE-DEFLECTOR	2
2	301165	WLDMT-REAR SHIELD LH	1
3	301166	WLDMT-REAR SHIELD RH	1
4	58679	BOLT-CRG: .38 X 1.50 NC GR5 ZP	4
5	1011602	BOLT-HEX: .38 X 1.50 NC GR5 ZP	4
6	1011586	WASHER-LOCK: .38 ZP	8
7	1030296	NUT-HEX: .38 NC GR5 NP	4
8	1011828	WASHER-FLAT .38 ZP	8
10	59517	BOLT-CRG: .50 X 1.75 NC GR5 ZP	6
11	1014443	WASHER-FLAT: .50 ZP	6
12	1011581	WASHER-LOCK: .50 ZP	6
13	1011577	NUT-HEX: .50 NC ZP	6



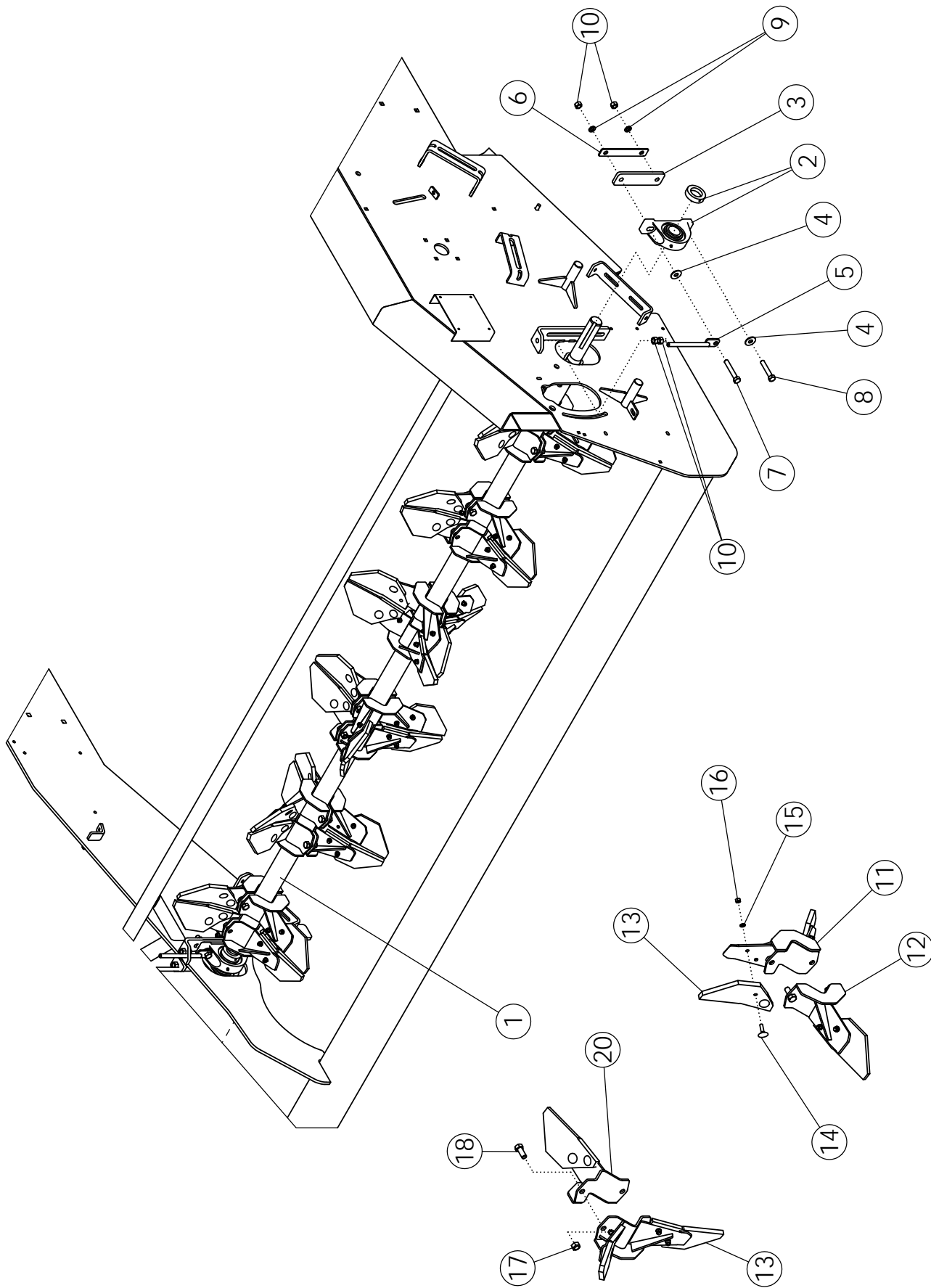
## APRON SHAFT - 50MM

ITEM	PART NO.	DESCRIPTION	QTY
1	63394	WLDMT- BOTTOM APRON SHAFT	2
2	52405	BEARING-PILLOW 1-3/4"	8
3	52382	SEAL PROTECTOR 1-3/4"	4
4	64162	WLDMT-UPPER FILLER	4
5	64161	WLDMT-LOWER FILLER	4
6	72555	WLDMT-TOP APRON SHAFT	2
7	64159	CLAMP-FILLER PAINTED	8
8	58322	HALF-DISC	24
9	62836	HALF DISC SPACER ZP	48
10	58318	SPROCKET-HALF 2.38	24
	63361	SPROCKET-SPLIT 2.205 (BELT ONLY)	
11	1011725	BOLT-HEX: .38 X 2.00 NC	144
	1011603	BOLT-HEX: .38 X 1.75 NC GR5 ZP (BELT ONLY)	
12	1016999	NUT-TOPLOCK: .38 NC GR5 ZP	160
13	64991	BOLT-HEX: .38 X 1.25 NC GR8 ZP	16
14	1011828	WASHER-FLAT .38 ZP	16
15	56672	SHIM-BEARING	12
16	72606	WLDMT-ADJUSTER LOWER APRON ZP	4
17	72472	GUARD-BELT	2
18	1017708	BOLT-HEX: .50 X 2.25 NC GR5 ZP	8
19	1014443	WASHER-FLAT: .50 ZP	32
20	1011577	NUT-HEX: .50 NC ZP	4
21	1011611	BOLT-HEX: .50 X 3.00 NC GR5 ZP	8
22	1027461	NUT-TOPLOCK: .50 NC GR5 ZP	16
23	53844	CHAIN .50 X 42 X 2.38	12
	59560	BELT .50 X 42 X 2.205 48LPR	6
24	1011610	BOLT-HEX: .50 X 2.50 NC GR5 ZP	4
25	1011581	WASHER-LOCK: .50 ZP	8



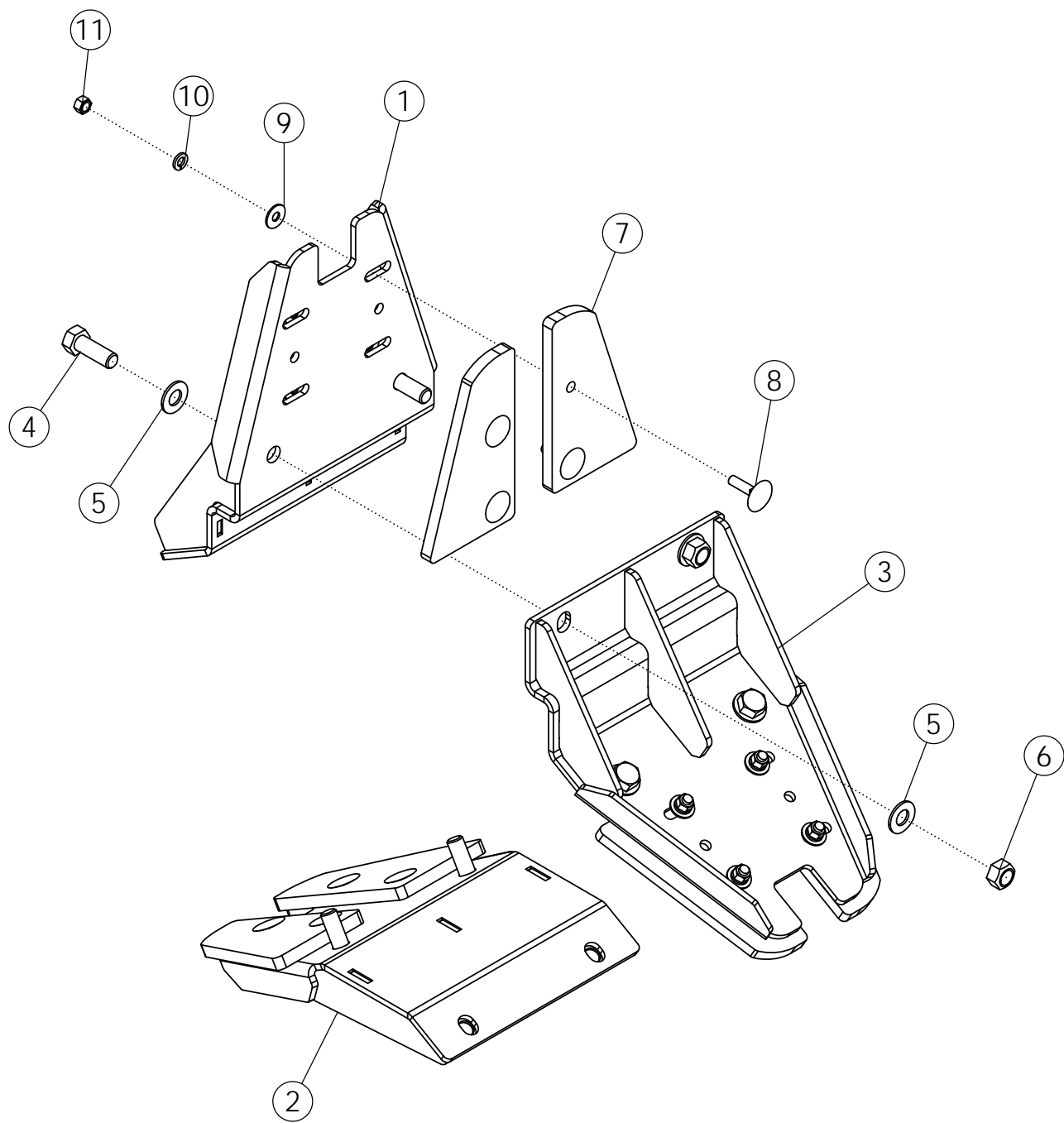
## APRON SHAFT - 56MM

ITEM	PART NO.	DESCRIPTION	QTY
1	63394	WLDMT- BOTTOM APRON SHAFT	2
2	52405	BEARING-PILLOW 1-3/4"	8
3	52382	SEAL PROTECTOR 1-3/4"	4
4	64162	WLDMT-UPPER FILLER	4
5	64161	WLDMT-LOWER FILLER	4
6	72555	WLDMT-TOP APRON SHAFT	2
7	64159	CLAMP-FILLER PAINTED	8
8	63414	HALF-DISC	24
9	301075	SPROCKET-SPLIT 56MM 5/8 ROD 14T CB 4"	24
10	1011603	BOLT-HEX: .38 X 1.75 NC GR5 ZP	144
11	1016999	NUT-TOPLOCK: .38 NC GR5 ZP	160
12	64991	BOLT-HEX: .38 X 1.25 NC GR8 ZP	16
13	1011828	WASHER-FLAT .38 ZP	16
14	56672	SHIM-BEARING	12
15	72606	WLDMT-ADJUSTER LOWER APRON ZP	4
16	72472	GUARD-BELT	2
17	1017708	BOLT-HEX: .50 X 2.25 NC GR5 ZP	8
18	1014443	WASHER-FLAT: .50 ZP	32
19	1011577	NUT-HEX: .50 NC ZP	8
20	1011611	BOLT-HEX: .50 X 3.00 NC GR5 ZP	4
21	1027461	NUT-TOPLOCK: .50 NC GR5 ZP	16
22	301225	BELT-56MM APRON 5/8 X 42 (50LPR) NOT SHOWN	6
23	1011610	BOLT-HEX: .50 X 2.50 NC GR5 ZP	4
24	1011581	WASHER-LOCK: .50 ZP	8



# PADDLE SHAFT

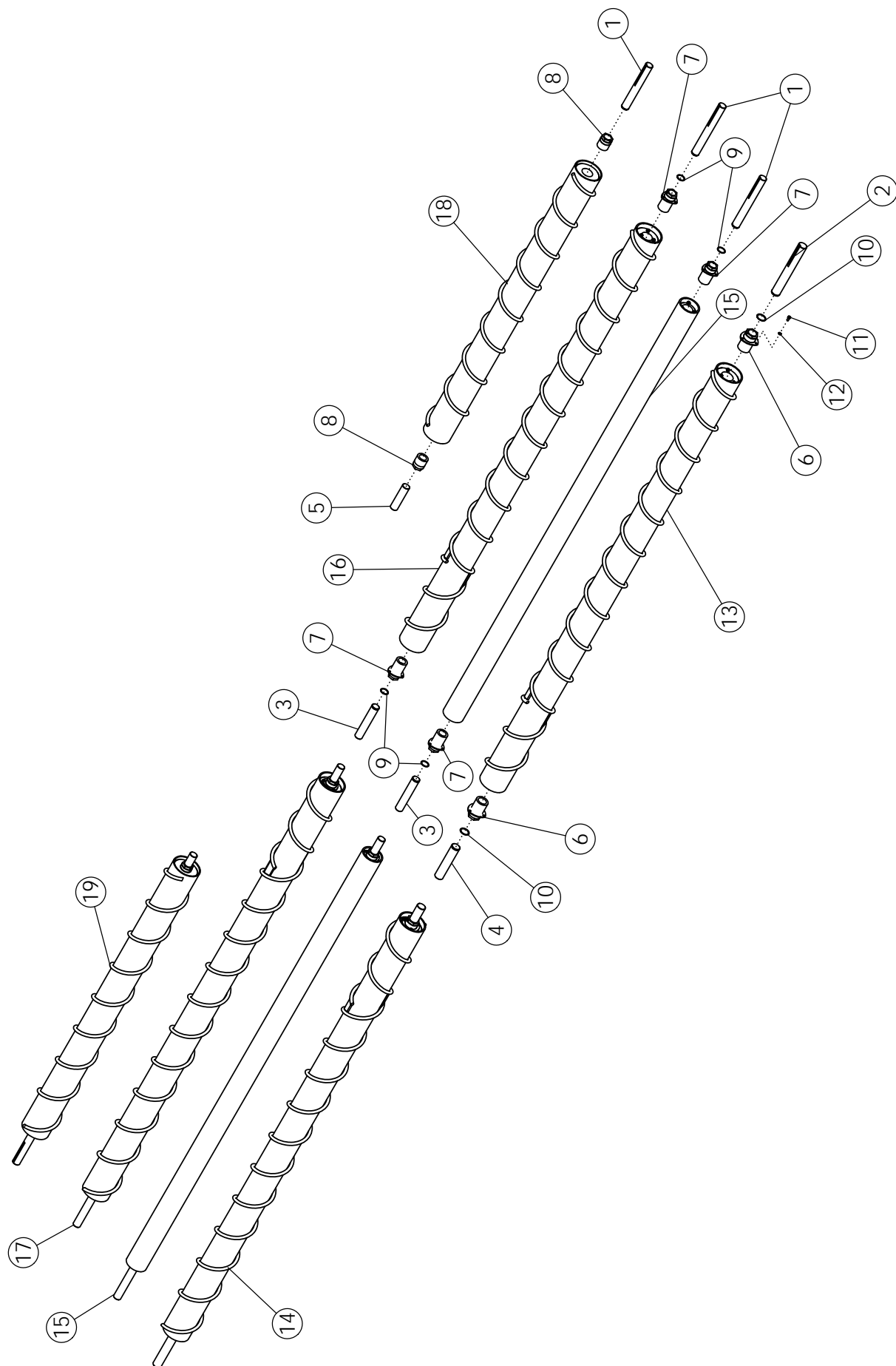
ITEM	PART NO.	DESCRIPTION	QTY
1	72035	WLDMT-PADDLE SHAFT 12R	2
2	57997	BEARING-PILLOW 2"	4
3	57996	SHIM-BEARING ZP	4
4	1013024	WASHER-FLAT: .63 ZP	8
5	51365	TIGHTENER BOLT	4
6	57998	PLATE-BACKING ZP	4
7	1016726	BOLT-HEX: .63 X 4.00 NC GR5 ZP	4
8	1014000	BOLT-HEX: .63 X 3.50 NC GR5 ZP	4
9	1011813	WASHER-LOCK: .63 ZP	8
10	1011578	NUT-HEX: .63 NC GR2 ZP	16
11	50719	WLDMT - PADDLE DOUBLE LH	12
12	50720	WLDMT - PADDLE LH SINGLE	12
13	51562	PADDLE-RUBBER	72
14	1030779	BOLT-ELEVATOR: .38 X 1.50 NC ZP	144
15	1011586	WASHER-LOCK: .38 ZP	144
16	1011576	NUT-HEX: .38 NC GR2 ZP	144
17	1016595	NUT-TOPLOCK: .63 NC GR5 ZP	48
18	1014349	BOLT-HEX: .63 X 1.50 NC GR5 ZP	48
19	50722	WLDMT - PADDLE DOUBLE RH	12
20	50721	WLDMT - PADDLE RH SINGLE	12





## PLASTIC PADDLE ASSEMBLY (OPTIONAL)

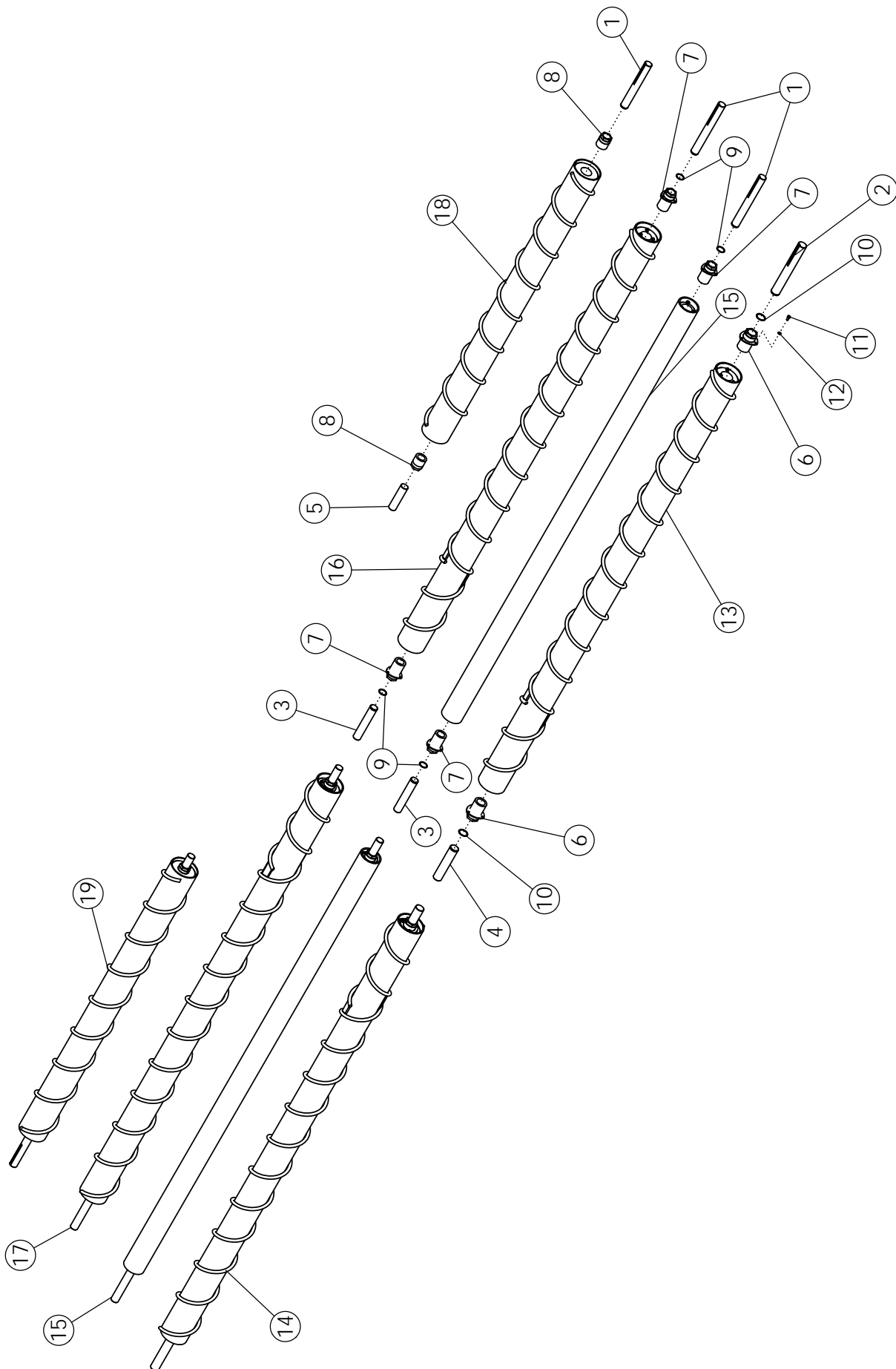
ITEM	PART NO.	DESCRIPTION	QTY
1	69639	WLDMT-PADDLE 1	1
2	69642	WLDMT-PADDLE 2	1
3	69645	WLDMT-PADDLE 3	1
4	1013918	BOLT-HEX .63 X 1.750 NC GR5 ZP	6
5	1013004	WASHER-FLAT: SAE .63 ZP	12
6	1016595	NUT-TOPLOCK: .63 NC GR5 ZP	6
7	69398	PADDLE-PLASTIC	6
8	1030779	BOLT-ELEVATOR:.38 X 1.50 NC ZP	12
9	1011828	WASHER-FLAT .38 ZP	12
10	1011586	WASHER-LOCK: .38 ZP	12
11	1011576	NUT-HEX: .38 NC GR2 ZP	12



# FRONT CLEANING ROLLS

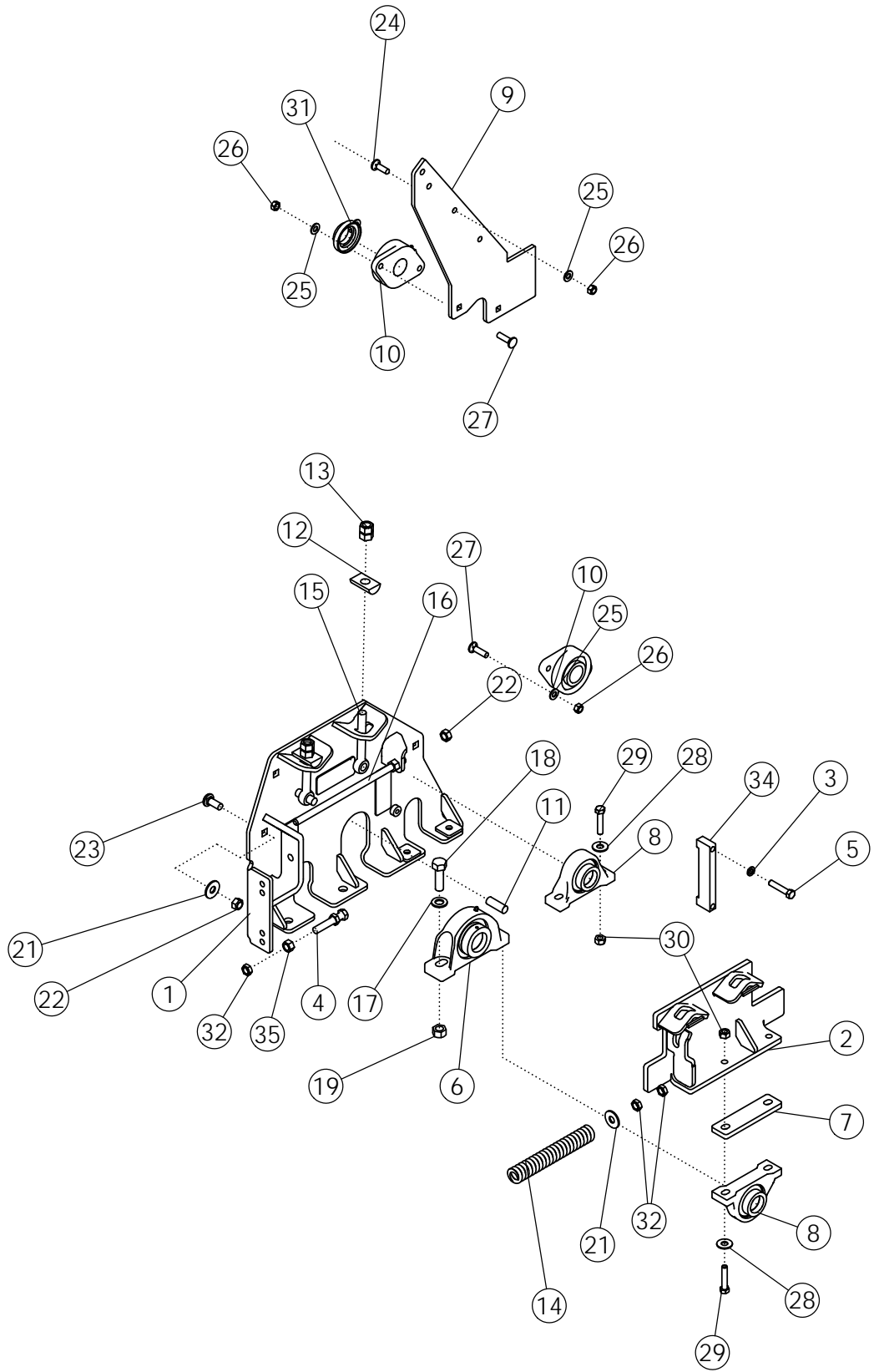
ITEM	PART NO.	DESCRIPTION	QTY
<b><u>PARTS COMMON TO ALL ROLLS</u></b>			
1	72542	SHAFT-DRIVE	6
2	72539	SHAFT-DRIVE	2
3	72543	SHAFT-IDLER	4
4	72540	SHAFT-IDLER	2
5	72794	SHAFT-IDLER	2
6	64165	TRANTORQUE 2.00 X 3.375	4
7	64163	TRANTORQUE 1.75 X 3.375	8
8	58459	TRANTORQUE 1.75 HD	2
9	64184	RING-RETAINING 1.75	8
10	64185	RING-RETAINING 2.00	4
11	1011599	BOLT-HEX: .38 X .75 NC GR5 ZP	36
12	1011586	WASHER-LOCK: .38 ZP	36
<b><u>NUMBER ONE ROLL - - LEFT HAND (COMPLETE)</u></b>			
13	72533	ROLL-SPIRAL-STANDARD	1
	72547	ROLL-SPIRAL-POLY COATED	
	73022	WLDMT-#1 LH SCROLLED-12R-HRD-TT	
<b><u>NUMBER ONE ROLL - - RIGHT HAND (COMPLETE)</u></b>			
14	72534	ROLL-SPIRAL-STANDARD	1
	72548	ROLL-SPIRAL-POLY COATED	
	73023	WLDMT-#1 RH SCROLLED-12R-HRD-TT	
<b><u>NUMBER TWO ROLL (COMPLETE)</u></b>			
15	72541	ROLL-SMOOTH-STANDARD	1
	72551	ROLL-SMOOTH-POLY COATED	
<b><u>NUMBER THREE ROLL - -LEFT HAND (COMPLETE)</u></b>			
16	72544	ROLL-SPIRAL-STANDARD	1
	72553	ROLL-SPIRAL-POLY COATED	
	73024	WLDMT-#3 LH SCROLLED 12R-HRD-TT	

CONTINUED



# FRONT CLEANING ROLLS (CONTINUED)

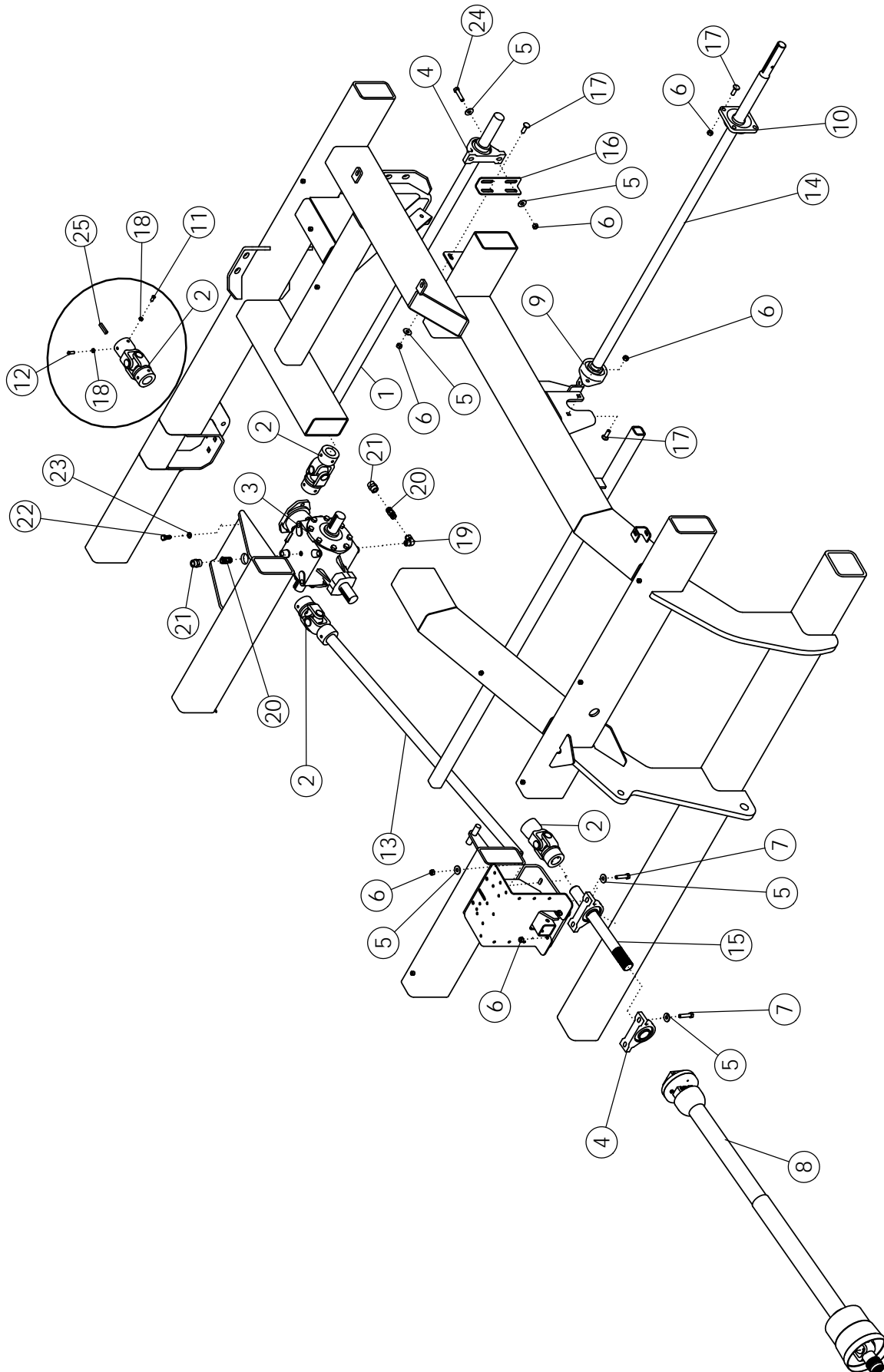
ITEM	PART NO.	DESCRIPTION	QTY
<b><u>NUMBER THREE ROLL - - RIGHT HAND (COMPLETE)</u></b>			
17	72545	ROLL-SPIRAL-STANDARD	1
	72554	ROLL-SPIRAL-POLY COATED	
	73025	WLDMT-#3 RH SCROLLED-12R-HRD-TT	
<b><u>NUMBER FOUR ROLL - -LEFT HAND (COMPLETE)</u></b>			
18	73247	ROLL-SPIRAL-STANDARD	1
	73302	ROLL-SPIRAL-POLY COATED	
<b><u>NUMBER FOUR ROLL - - RIGHT HAND (COMPLETE)</u></b>			
19	73253	ROLL-SPIRAL-STANDARD	1
	73303	ROLL-SPIRAL-POLY COATED	



# FRONT CLEANING ROLL MOUNTING PACKAGE

ITEM	PART NO.	DESCRIPTION	QTY
1	73132	WLDMT-MOUNT LH	2
	73133	WLDMT-MOUNT RH (NOT SHOWN)	2
2	73136	WLDMT-SLIDE MOUNT LH	2
	73137	WLDMT-SLIDE MOUNT RH (NOT SHOWN)	2
3	1011581	WASHER-LOCK: .50 ZP	8
4	1032273	BOLT-TAP: .63 X 3.50 NC GR5 ZP	4
5	1011610	BOLT-HEX: .50 X 2.50 NC GR5 ZP	8
6	57997	BEARING-PILLOW 2"	4
7	57792	SHIM-BEARING	4
8	52405	BEARING-PILLOW 1-3/4"	8
9	73272	MOUNT-#4 BEARING	2
10	62134	BEARING-FLANGE 1-3/4"	4
11	56675	ROD ZP	8
12	56680	HALF ROUND 1.5" ZP	8
13	1011620	NUT-HEX: .75 NC GR2 ZP	16
14	57878	SPRING 10"	4
15	56814	BOLT-EYEBOLT: .75 X 6.00 ZP	8
16	56815	WLDMT-BOLT & NUT ZP	4
17	1012634	WASHER-FLAT: SAE .75 ZP	8
18	1016598	BOLT-HEX: .75 X 2.50 NC GR5 ZP	8
19	1017000	NUT-TOPLOCK: .75 NC GR5 ZP	8
20	58635*	BOLT-CRG: .63 X 2.00 NC GR5 ZP (NOT SHOWN)	4
21	1013024	WASHER-FLAT: .63 ZP	16
22	1016595	NUT-TOPLOCK: .63 NC GR5 ZP	16
23	72063	BOLT-CRG: .63 X 1.50 NC GR5 ZP	8
24	1011607	BOLT-HEX: .50 X 1.50 NC GR5 ZP	4
25	1011584	WASHER-FLAT: SAE .50 ZP	12
26	1027461	NUT-TOPLOCK: .50 NC GR5 ZP	12
27	59517	BOLT-CRG: .50 X 1.75 NC GR5 ZP	8
28	59104	WASHER-FLAT: .56 GR8 ZP	16
29	59103	BOLT-HEX: .56 X 2.50 NC GR8 ZP	16
30	59105	NUT-TOPLOCK: .56 NC GR8 ZP	16
31	52383	LOCK PROTECTOR 1-3/4"	2
32	1026259	NUT-JAM: .63 NC GR2 ZP	16
33	57877*	SPRING 3" (NOT SHOWN)	4
34	56677	PLATE-RETAINING	4
35	1011578	NUT-HEX: .63 NC GR2 ZP	4

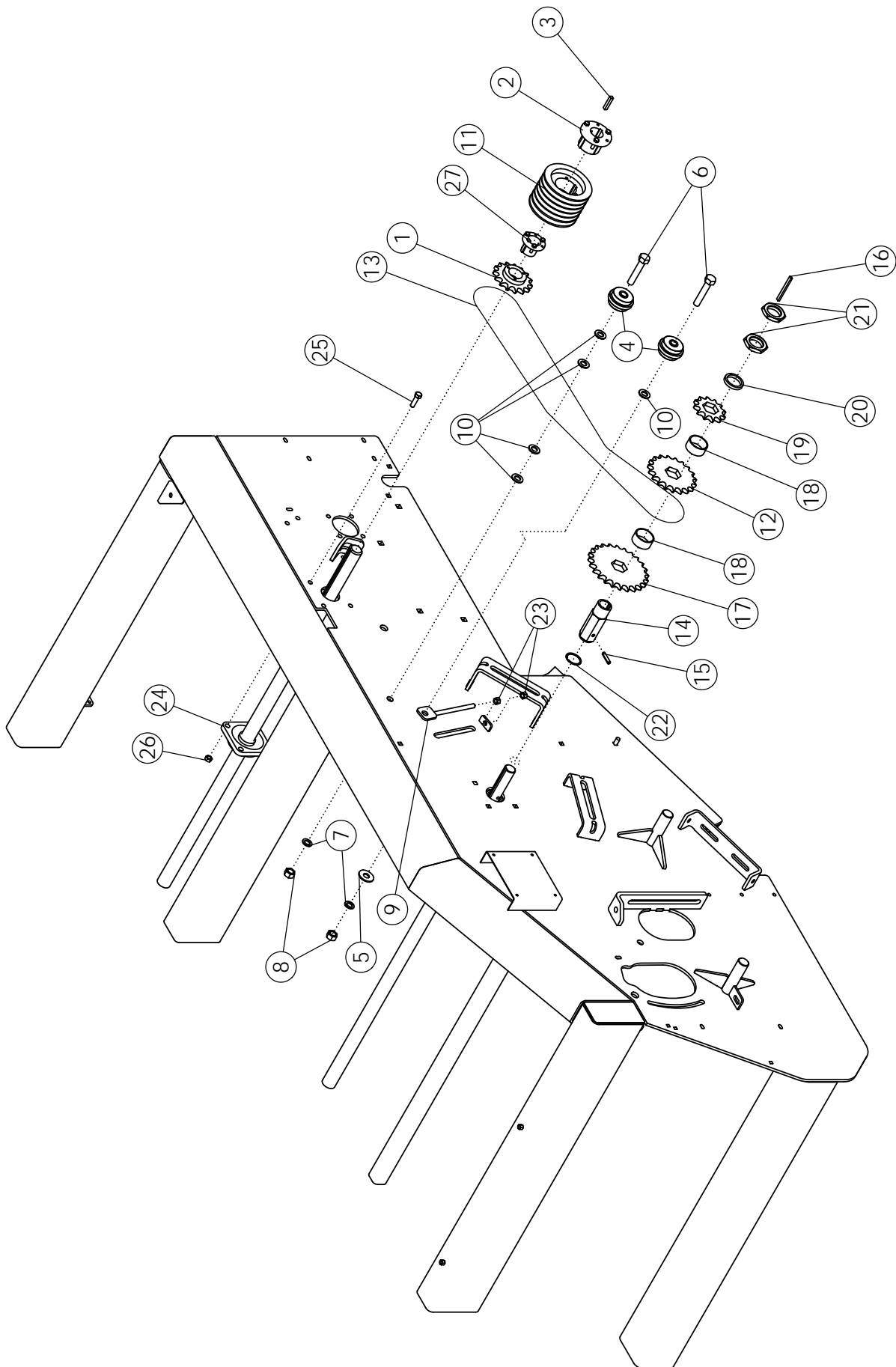
\* USED ON CENTER MOUNTS ONLY





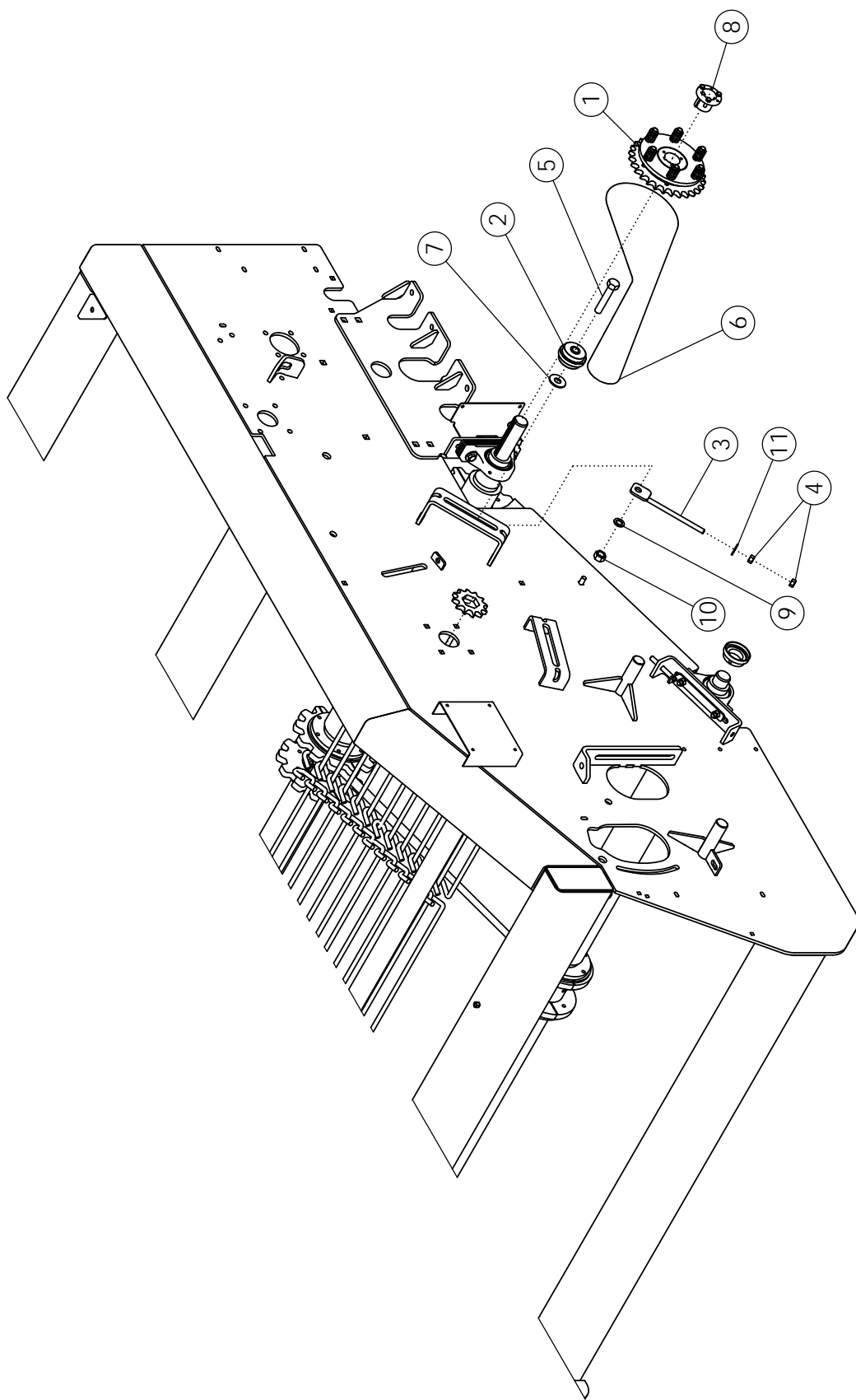
# MAIN DRIVE

ITEM	PART NO.	DESCRIPTION	QTY
1	73140	SHAFT-DRIVE CROSS 12R	2
2	53642	U-JOINT	4
3	300142	GEARBOX-PRAIRIE (1.82:1) W/ SAE C MOUNT	1
4	52405	BEARING-PILLOW 1.75"	4
5	1014443	WASHER-FLAT: .50 ZP	18
6	1027461	NUT-TOPLOCK: .50 NC GR5 ZP	24
7	1017708	BOLT-HEX: .50 X 2.25 NC GR5 ZP	4
8	51481	PTO-CV 1.75" WEASLER (HRV)	1
9	62134	BEARING-FLANGE 1.75 2-BOLT	2
10	52404	BEARING-FLANGE 1.75	2
11	1030708	SCREW-SET: C-P .38 X .75 NC GR8	8
12	1030709	SCREW-SET: C-P .38 X 1.00 NC GR8	8
13	73141	SHAFT-DRIVE 12R FRONT	1
14	73143	SHAFT JACK 1.75	2
15	72078	SPLINE SHAFT	1
16	68274	PLATE-BEARING SUPPORT	2
17	1011660	BOLT-CRG: .50 X 1.50 NC GR5 ZP	16
18	1013519	NUT-JAM: .38 NC GR2 ZP	16
19	64033	FTG-ELBOW: 8MP-8FP 90	1
20	69128	FTG-ADAPTER: 8MP-8MP 4" LONG	2
21	55730	FTG-ADAPTER: 8FP-8FP	2
22	1032509	BOLT-HEX: .63 X 1.25 NC GR5 ZP	4
23	1011813	WASHER-LOCK: .63 ZP	4
24	1011609	BOLT-HEX: .50 X 2.00 NC GR5 ZP	4
25	50152	KEY .38 X .38 X 2.00	8



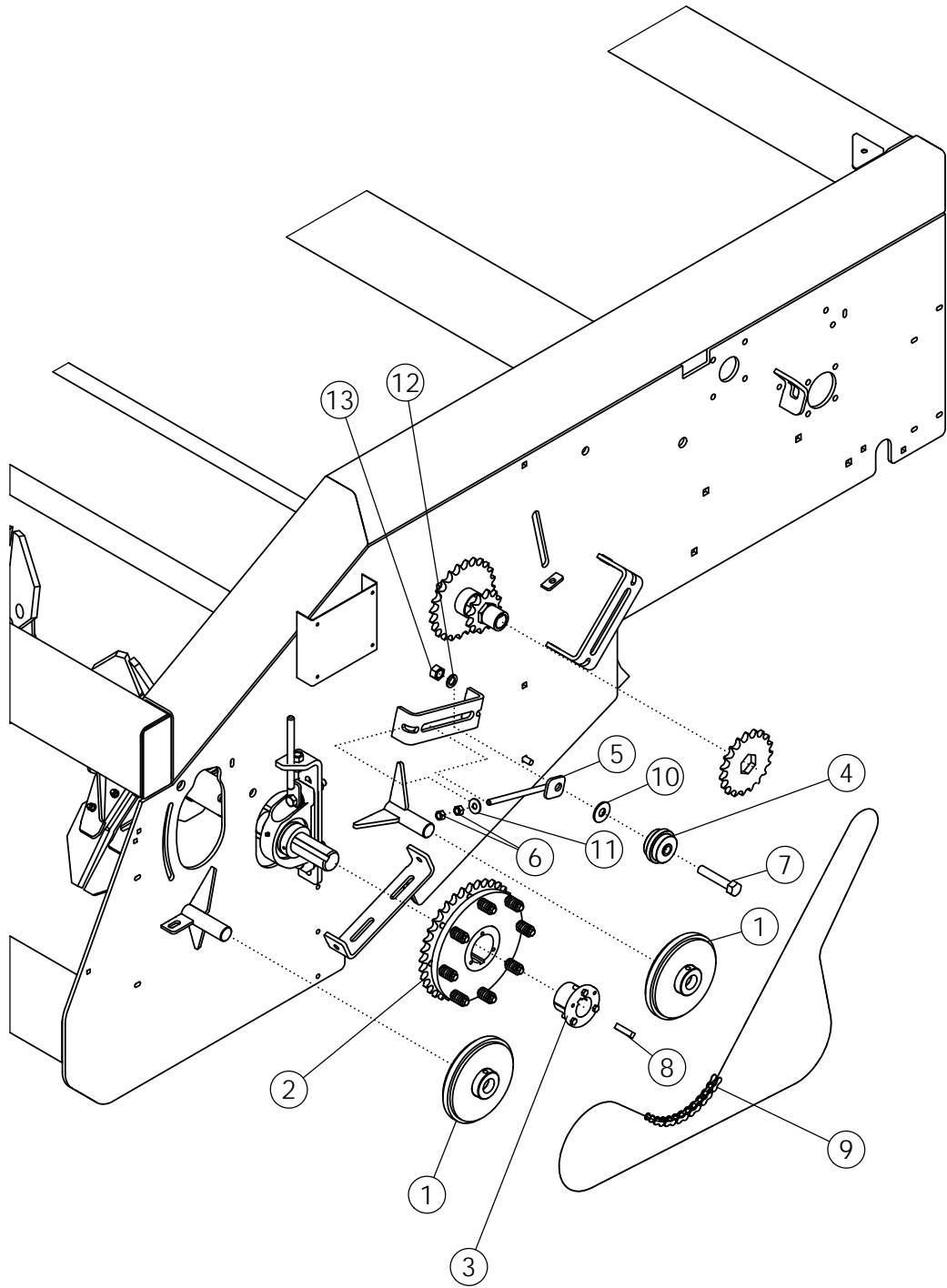
## MAIN DRIVE - SIDE COMPONENTS

ITEM	PART NO.	DESCRIPTION	QTY
1	64155	SPROCKET H80-P15	2
2	50335	HUB Q1 1.75"	2
3	50152	KEY .38 X .38 X 2.00	2
4	72080	IDLEMASTER X .75	4
5	1030702	WASHER-FLAT .75 ZP	2
6	1011625	BOLT-HEX: .75 X 4.00 NC GR5 ZP	4
7	1012061	WASHER-LOCK: .75 ZP	4
8	1011620	NUT-HEX: .75 NC GR2 ZP	4
9	56864	ADJUSTER - ZP	2
10	1012634	WASHER-FLAT: SAE .75 ZP	10
11	56646	SHEAVE 6TB62	2
	56647	SHEAVE 6TB68	
	53668	SHEAVE 6TB56	
12	72088	SPROCKET 8019 HEX BORE	2
	73033	SPROCKET 8013 HEX BORE (PLASTIC PADDLES)	
13	72091	CHAIN-ROLLER 80H-1R-94	2
14	72082	HUB-HEX SPROCKET	2
15	72084	PIN-ROLL: .25 X 1.75 NP	2
16	72085	KEY .25 X .38 X 4.00	2
17	72086	SPROCKET 8024 HEX BORE	2
18	72087	SPACER	4
19	72089	SPROCKET 8012 HEX BORE	2
20	72470	PLATE-SPACER	2
21	72090	NUT-JAM 1.88-16UN 2B ZP	4
22	72083	RING-RETAINING	2
23	1011577	NUT-HEX: .50 NC GR2 ZP	4
24	52404	BEARING-FLANGE 1.75	2
25	1011608	BOLT-HEX: .50 X 1.75 NC GR5 ZP	8
26	1027461	NUT-TOPLOCK: .50 NC GR5 ZP	8
27	53641	HUIB P1 1.75 (WITH KEY)	2



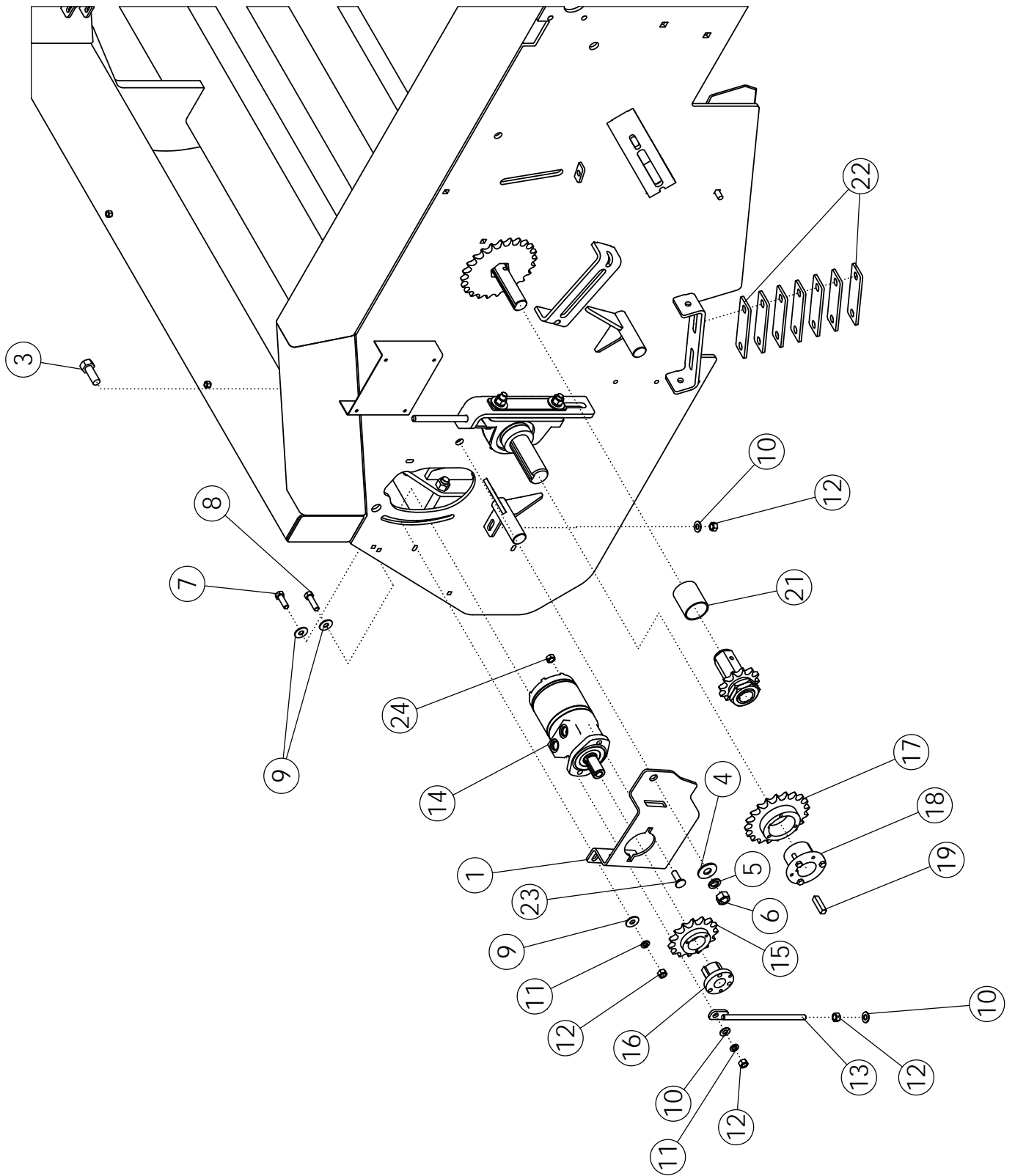
# APRON SHAFT DRIVE

ITEM	PART NO.	DESCRIPTION	QTY
1	72030	SPROCKET-CLUTCH 80P28 PRESET	2
2	72080	IDLEMASTER X .75	2
3	56864	ADJUSTER - ZP	2
4	1011577	NUT-HEX: .50 NC GR2 ZP	4
5	1011625	BOLT-HEX: .75 X 4.00 NC GR5 ZP	2
6	72093	CHAIN-ROLLER 80H-1R-85	2
7	1030702	WASHER-FLAT .75 ZP	2
8	53641	HUB P1 1.75 (WITH KEY)	2
9	1012061	WASHER-LOCK: .75 ZP	2
10	1011620	NUT-HEX: .75 NC GR2 ZP	2
11	1014443	WASHER-FLAT: .50 ZP	2



# PADDLE SHAFT DRIVE

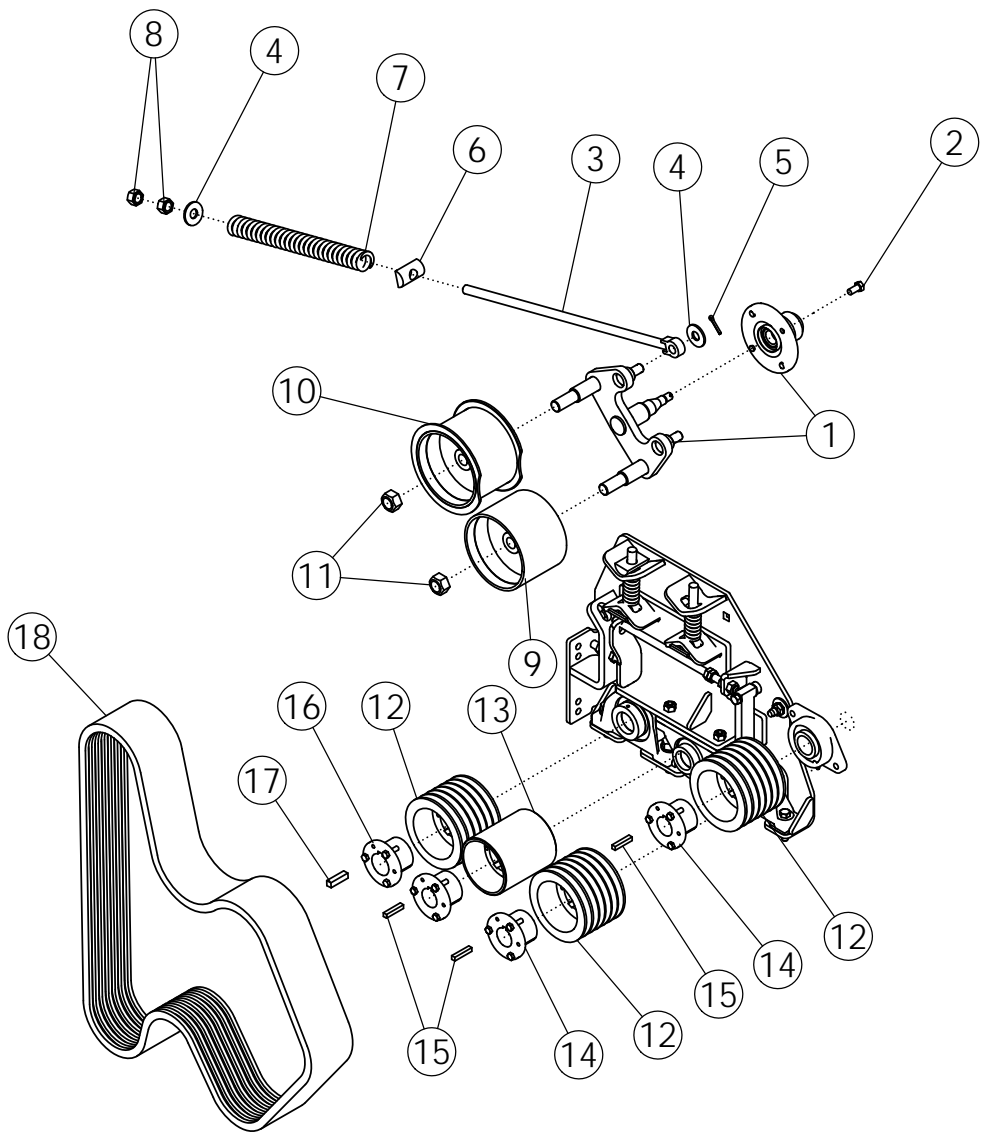
ITEM	PART NO.	DESCRIPTION	QTY
1	56851	SPROCKET-IDLER H8025 X 1.44	4
2	57993	SPROCKET-CLUTCH 80Q36 PRESET	2
3	50385	HUB Q1 2"	2
4	72080	IDLEMASTER X .75	2
5	56864	ADJUSTER - ZP	2
6	1011577	NUT-HEX: .50 NC GR2 ZP	4
7	1011625	BOLT-HEX: .75 X 4.00 NC GR5 ZP	2
8	57995	KEY .50 X .50 X 2.00	2
9	72092	CHAIN-ROLLER 80H-1R-122	2
10	1030702	WASHER-FLAT: .75 ZP	2
11	1014443	WASHER-FLAT: .50 ZP	2
12	1012061	WASHER-LOCK: .75 ZP	2
13	1011620	NUT-HEX: .75 NC GR2 ZP	2





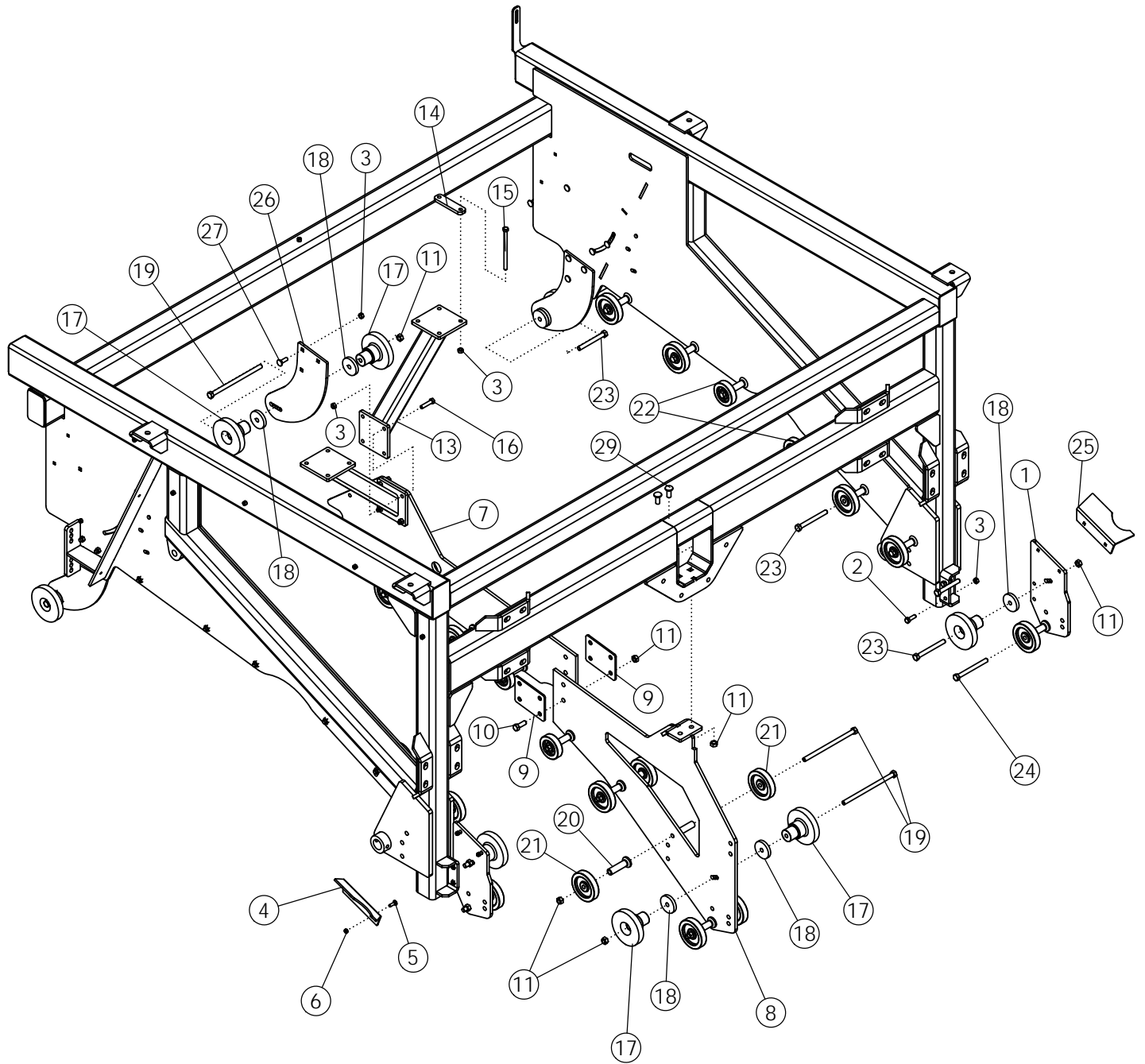
## HYDRAULIC PADDLE DRIVE (OPTIONAL)

ITEM	PART NO.	DESCRIPTION	QTY
1	69668	PLATE-HYD MOTOR PADDLE LH	1
2	69669	PLATE-HYD MOTOR PADDLE RH (NOT SHOWN)	1
3	1012060	BOLT-HEX: .75 X 2.00 NC GR5 ZP	2
4	1030702	WASHER-FLAT: .75 ZP	2
5	1012061	WASHER-LOCK: .75 ZP	2
6	1011620	NUT-HEX: .75 NC GR2 ZP	2
7	1011607	BOLT-HEX: .50 X 1.50 NC GR5 ZP	2
8	1011608	BOLT-HEX: .50 X 1.75 NC GR5 ZP	2
9	1014443	WASHER-FLAT: .50 ZP	6
10	1011584	WASHER-FLAT: SAE .50 ZP	6
11	1011581	WASHER-LOCK: .50 ZP	4
12	1011577	NUT-HEX: .50 NC GR2 ZP	8
13	69670	WLDMT-ADJUSTMENT ROD	2
14	57686	MOTOR-HYD 32.3 IN <sup>3</sup> /REV	2
	57880	SEAL KIT FOR 57686	
15	64155	SPROCKET H80-P15	2
16	53719	HUB P1 1.25" .3125"K	2
17	56650	SPROCKET H80-Q20	2
18	50385	HUB Q1 2"	2
19	57995	KEY .50 X .50 X 2.00	2
20	69673	CHAIN-ROLLER 80H-1R-040 (NOT SHOWN)	2
21	73443	SPACER-LONG	2
22	56672	SHIM-BEARING ZP	28
23	1011660	BOLT-CRG: .50 X 1.50 NC GR5 ZP	4
24	1027461	NUT-TOPLOCK: .50 NC GR5 ZP	4



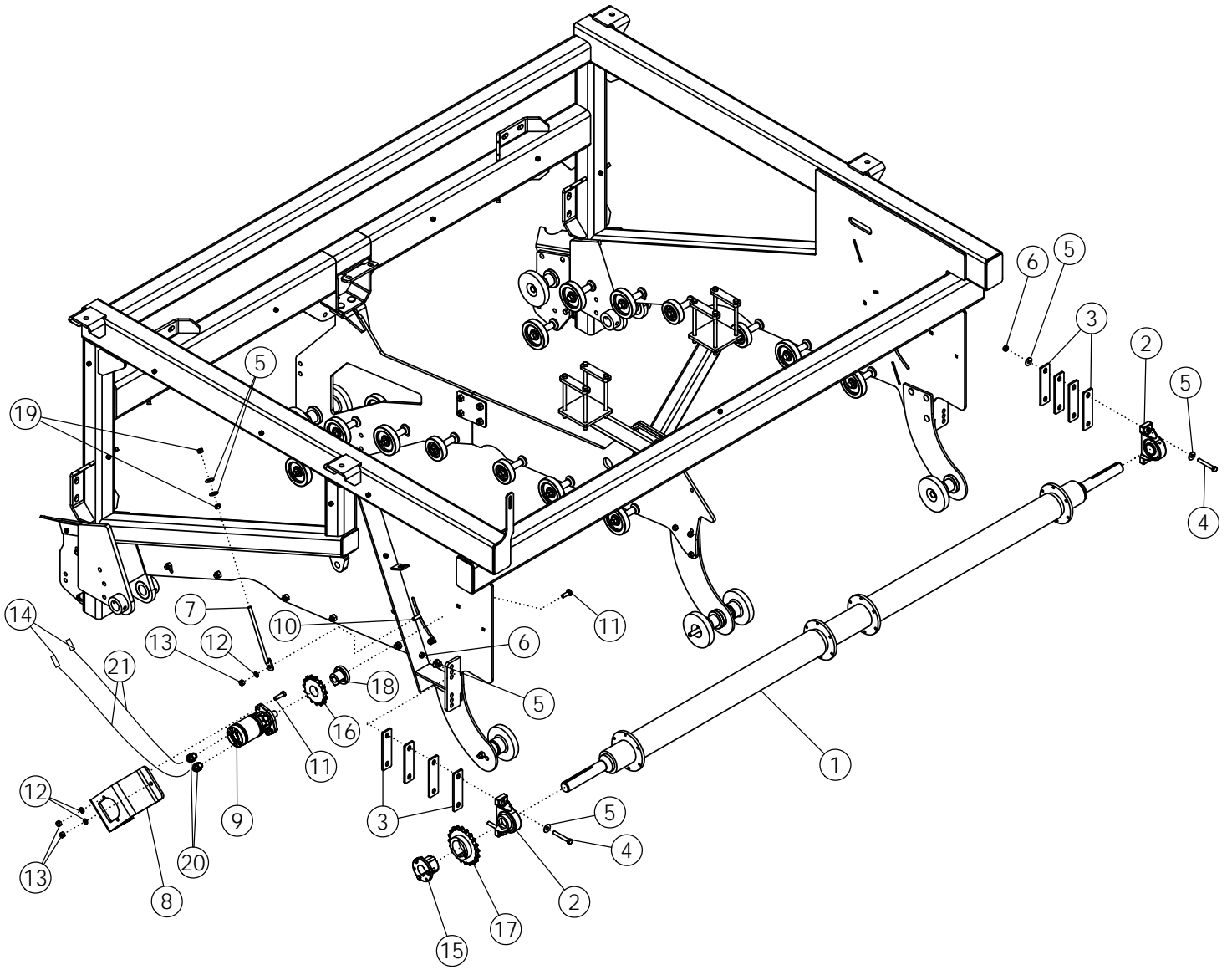
# FRONT CLEANING ROLL DRIVE

ITEM	PART NO.	DESCRIPTION	QTY
1	72058	ASSY-SPINDLE & HUB	2
2	1015558	BOLT-HEX: .50 X 1.00 NF GR5 ZP	8
3	72057	ROD END .75 X 27.50	2
4	1030702	WASHER-FLAT: .75 ZP	4
5	1012375	PIN-COTTER .19 X 1.50 NP	2
6	56680	HALF ROUND 1.5" ZP	2
7	56853	SPRING-BLACK	2
8	1011620	NUT-HEX: .75 NC GR2 ZP	4
9	50387	WLDMT-IDLER	2
10	57933	WLDMT- IDLER	2
11	1016969	NUT-TOPLOCK: 1.00 NC GR5 ZP	4
12	56646	SHEAVE 6TB62	6
13	56396	WLDMT-PULLEY 6R	2
14	50335	HUB Q1 1-3/4"	6
15	50152	KEY .38 X .38 X 2.00	6
16	50385	HUB Q1 2"	2
17	57995	KEY .50 X .50 X 2.00	2
18	72056	V-BELT 6B108	2



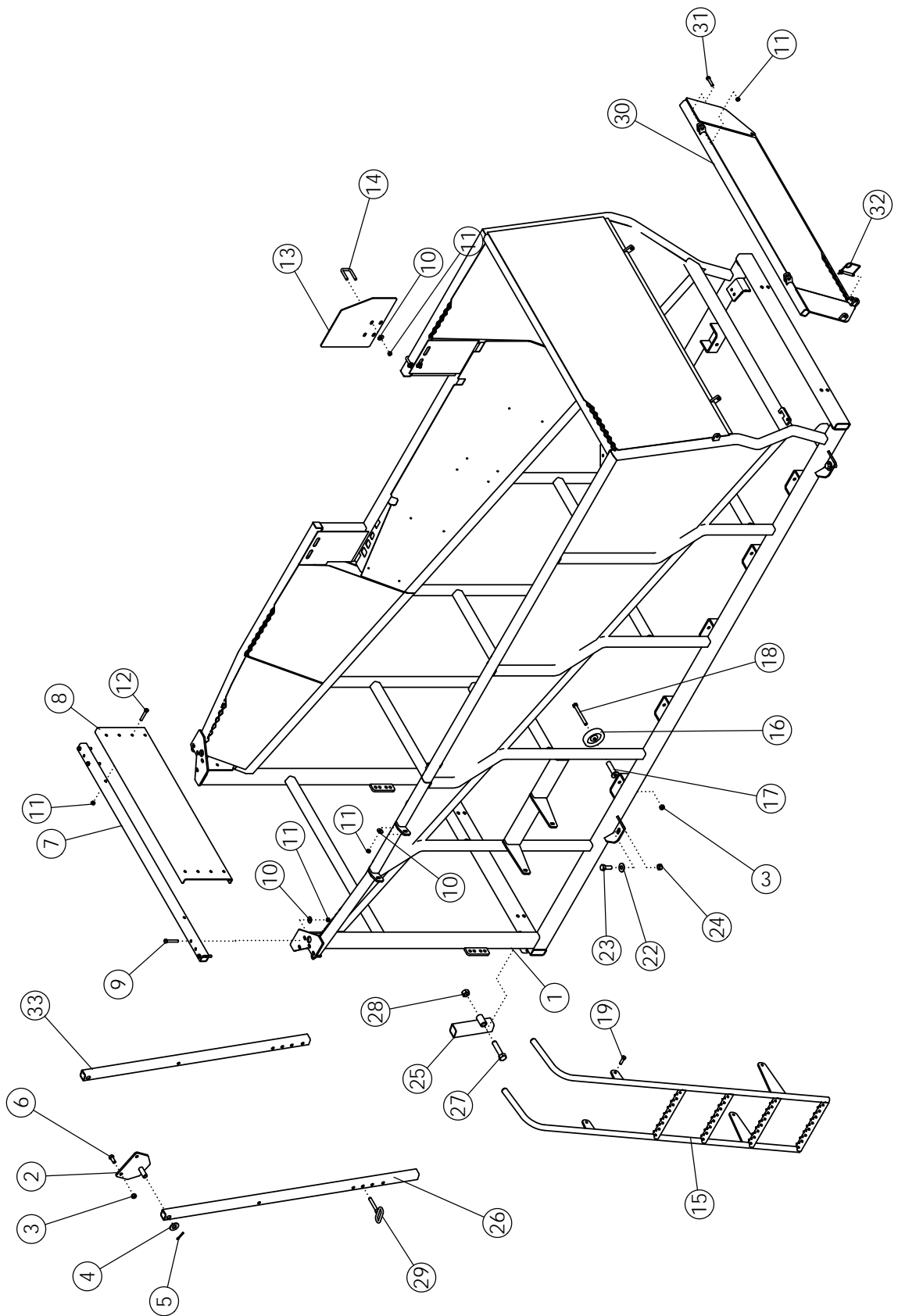
# WHEEL JUMP CHAIN

ITEM	PART NO.	DESCRIPTION	QTY
1	73276	PLATE-LOWER IDLER MNT RH	2
2	1011607	BOLT-HEX: .50 X 1.50 NC GR5 ZP	4
3	1027461	NUT-TOPLOCK: .50 NC GR5 ZP	26
4	73285	PLATE-FILLER ANGLE RH	1
5	1016362	BOLT-CRG: .38 X 1.25 NC GR5 ZP	4
6	1016999	NUT-TOPLOCK: .38 NC GR5 ZP	4
7	73361	PLATE-CENTER PANEL REAR	1
8	73359	WLDMT-CENTER PANEL FRONT	1
9	73362	PLATE-BOLTING	2
10	1013918	BOLT-HEX: .63 X 1.75 NC GR5 ZP	4
11	1016595	NUT-TOPLOCK: .63 NC GR5 ZP	31
12	72063	BOLT-CRG: .63 X 1.50 NC GR5 ZP	2
13	72855	WLDMT-CENTER PANEL MNT	2
14	58204	BAR - BOLTING	4
16	1017708	BOLT-HEX: .50 X 2.25 NC GR5 ZP	4
17	54042	ROLLER-STEP 6"	8
18	62932	PLATE-SHIM .50 ZP	8
19	72773	BOLT-HEX: .63 X 11.00 NC GR5 ZP	8
20	64192	STAND OFF	28
21	53825	BOGIE WHEEL 5"	20
22	53854	BOGIE WHEEL 4"	8
23	1013068	BOLT-HEX: .63 X 6.00 NC GR5 ZP	14
24	1012913	BOLT-HEX .63 X 6.50 NC GR5 ZP	2
25	73286	PLATE-FILLER ANGLE LH	1
26	300283	PLATE-IDLER MOUNT	3
27	1011660	BOLT-CRG: .50 X 1.50 NC GR5 ZP	9
28	300278	BELT-45MM JUMP CHAIN 12R WH (NOT SHOWN)	2
29	72063	BOLT-CRG: .63 X 1.50 NC GR5 ZP	2



# WHEEL JUMP DRIVE

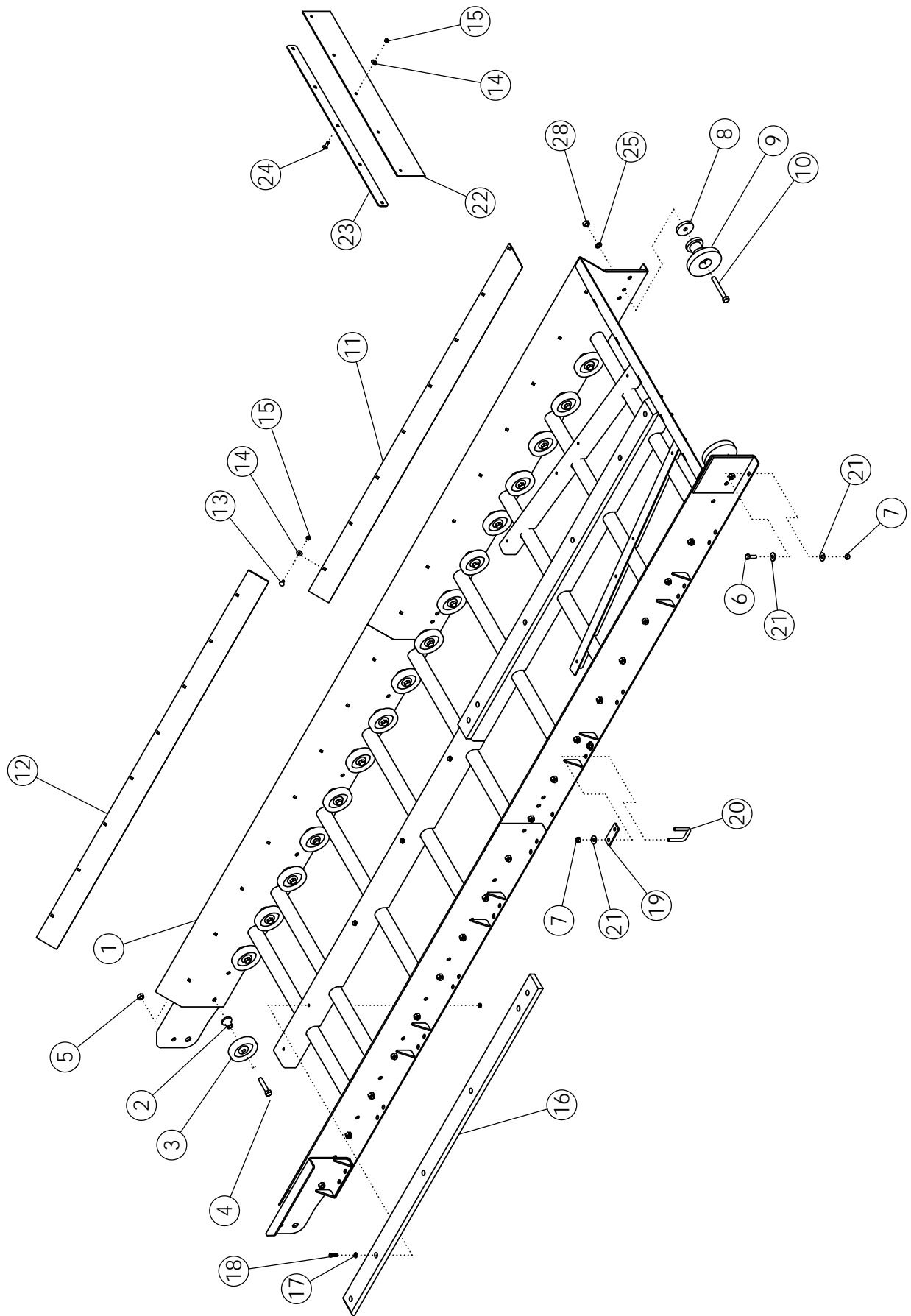
ITEM	PART NO.	DESCRIPTION	QTY
1	73363	WLDMT-TOP JUMP SHAFT 52" 12R	1
2	52405	BEARING-PILLOW 1-3/4"	2
3	56672	SHIM-BEARING ZP	8
4	1011612	BOLT-HEX: .50 X 3.50 GR5 ZP	4
5	1014443	WASHER-FLAT: .50 ZP	8
6	1027461	NUT-TOPLOCK: .50 NC GR5 ZP	4
7	69670	WLDMT-ADJUSTMENT ROD ZP	1
8	301189	PLATE-MOTOR MNT SLIDE	1
9	58987	MOTOR-HYDRAULIC 20 IN <sup>3</sup> /REV	1
	57880	SEAL KIT FOR 58987	
10	59517	BOLT-CRG: .50 X 1.75 NC GR5 ZP	1
11	1011660	BOLT-CRG: .50 X 1.50 NC GR5 ZP	4
12	1011581	WASHER-LOCK: .50 ZP	3
13	1011577	NUT-HEX: .50 NC ZP	5
14	36290	PIONEER TIP 8015-15 (#8 ORB)	2
15	50335	HUB Q1 1-3/4"	1
16	64155	SPROCKET H80-P15	1
17	56650	SPROCKET H80-Q20	1
18	53719	HUB P1 1-1/4" 5/16" KEY	1
19	58355	NUT-HEX: .50 NF GR5 ZP	2
20	58195	FTG-ADAPTER: 10MB-8MJ	2
21	300179	HOSE: .50 X 384 8MB-8FJX	2
22	73388	CHAIN ROLLER (NOT SHOWN)	1





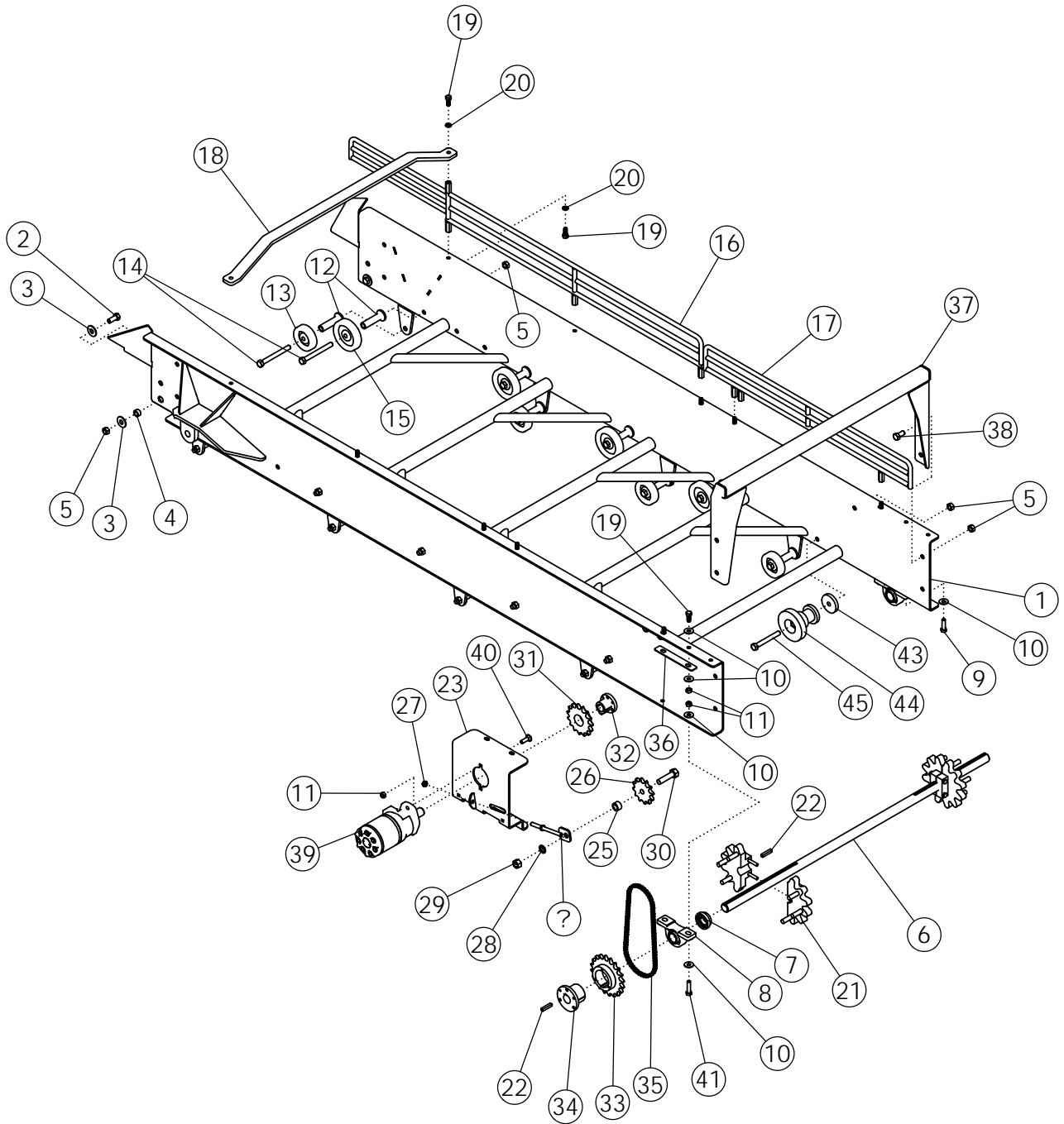
# TANK ASSEMBLY

ITEM	PART NO.	DESCRIPTION	QTY
1	300005	WLDMT-TANK 12R WHEEL	1
2	54785	WLDMT-LOCK BRACKET	2
3	1016595	NUT-TOPLOCK: .63 NC GR5 ZP	10
4	1020685	WASHER-FLAT: 1.00 ZP	4
5	1016944	PIN-COTTER: .25 X 2.00 ZP	4
6	1014349	BOLT-HEX: .63 X 1.50 NC GR5 ZP	4
7	64749	TUBE-STRIKER	1
8	64574	PLATE-STRIKER	1
9	1017719	BOLT-HEX: .50 X 3.25 NC GR5 ZP	4
10	1014443	WASHER-FLAT: .50 ZP	24
11	1027461	NUT-TOPLOCK: .50 NC GR5 ZP	28
12	1011611	BOLT-HEX: .50 X 3.00 NC GR5 ZP	2
13	57917	PLATE	2
14	65658	U-BOLT: .50 X 3 X 2.06 X 3	4
15	300243	WLDMT-LADDER 12R WHEEL	1
16	53825	BOGIE WHEEL 5"	6
17	64192	STAND OFF - .63" X 4.0"	6
18	1013068	BOLT-HEX: .63 X 6.00 NC GR5 ZP	6
19	1011608	BOLT-HEX: .50 X 1.75 NC GR5 ZP	12
20	1015174	BOLT-HEX: .38 X 2.50 NC GR5 ZP	8
21	1016999	NUT-TOPLOCK: .38 NC GR5 ZP	4
22	1030702	WASHER-FLAT: .75 ZP	8
23	1012060	BOLT-HEX: .75 X 2.00 NC GR5 ZP	8
24	1017000	NUT-TOPLOCK: .75 NC GR5 ZP	6
25	54788	WLDMT-LOCK SLIDE	2
26	72934	TUBE-LOCK	1
27	72956	BOLT-HEX: 1.00 X 4.50 NC GR8 ZP	2
28	1016969	NUT-TOPLOCK: 1.00 NC GR5 ZP	2
29	1030947	PIN-HITCH: .63 X 4.00 ZP	2
30	73042	WLDMT-TANK DOOR	1
31	1017708	BOLT-HEX: .50 X 2.25 NC GR5 ZP	2
32	52408	SPRING PIN .50 X 3.50	1
33	73413	TUBE-LOCK SHORT (STEERABLE AXLE)	1
	72934	TUBE-LOCK	



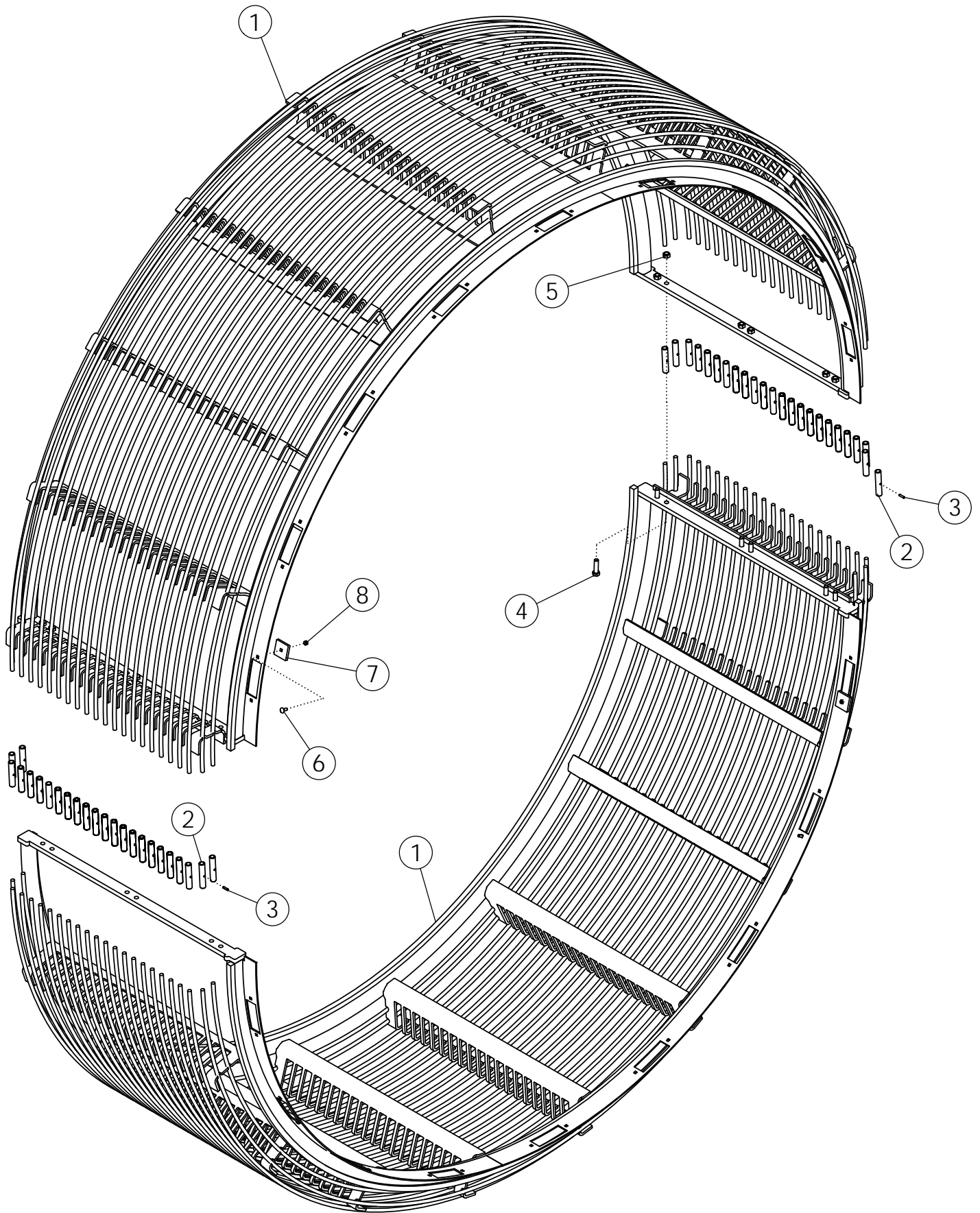
# ELEVATOR ASSEMBLY

ITEM	PART NO.	DESCRIPTION	QTY
1	72765	WLDMT-ELEV 12050	1
2	58971	STAND OFF 1.50"	34
3	53825	BOGIE WHEEL 5"	34
4	65825	BOLT-HEX: .63 X 3.25 NC GR5 ZP	34
5	1016595	NUT-TOPLOCK: .63 NC GR5 ZP	36
6	1011607	BOLT-HEX: .50 X 1.50 NC GR5 ZP	2
7	1027461	NUT-TOPLOCK: .50 NC GR5 ZP	22
8	62932	PLATE-SHIM	2
9	54042	ROLLER-STEP 6"	2
10	1016292	BOLT-HEX: .63 X 5.50 NC GR5 ZP	2
11	72337	SHEET-BELT PROTECTOR LOWER	2
12	72338	SHEET-BELT PROTECTOR UPPER	2
13	59488	BOLT-CRG: .38 X 1.00 NC GR5 ZP	32
14	1011828	WASHER-FLAT .38 ZP	37
15	1016999	NUT-TOPLOCK: .38 NC GR5 ZP	45
16	69822	PLASTIC SLIDE	2
17	1014608	WASHER-FLAT: SAE .38 ZP	8
18	1011601	BOLT-HEX: .38 X 1.25 NC GR5 ZP	8
19	64748	PLATE-ELEVATOR BACKING	8
20	65658	U-BOLT: .50 X 3 X 2.06 X 3	10
21	1014443	WASHER-FLAT: .50 ZP	6
22	64609	FLAP-ELEVATOR	1
23	64608	STRIP-BOLTING	1
24	1016362	BOLT-CRG: .38 X 1.25 NC GR5 ZP	5
25	1011813	WASHER-LOCK: .63 ZP	2
26	1011578	NUT-HEX: .63 NC GR2 ZP	2
27	73416	BELT-56MM ELEVATOR 12R (NOT SHOWN)	1
	72514	BELT-50MM ELEVATOR 12R	



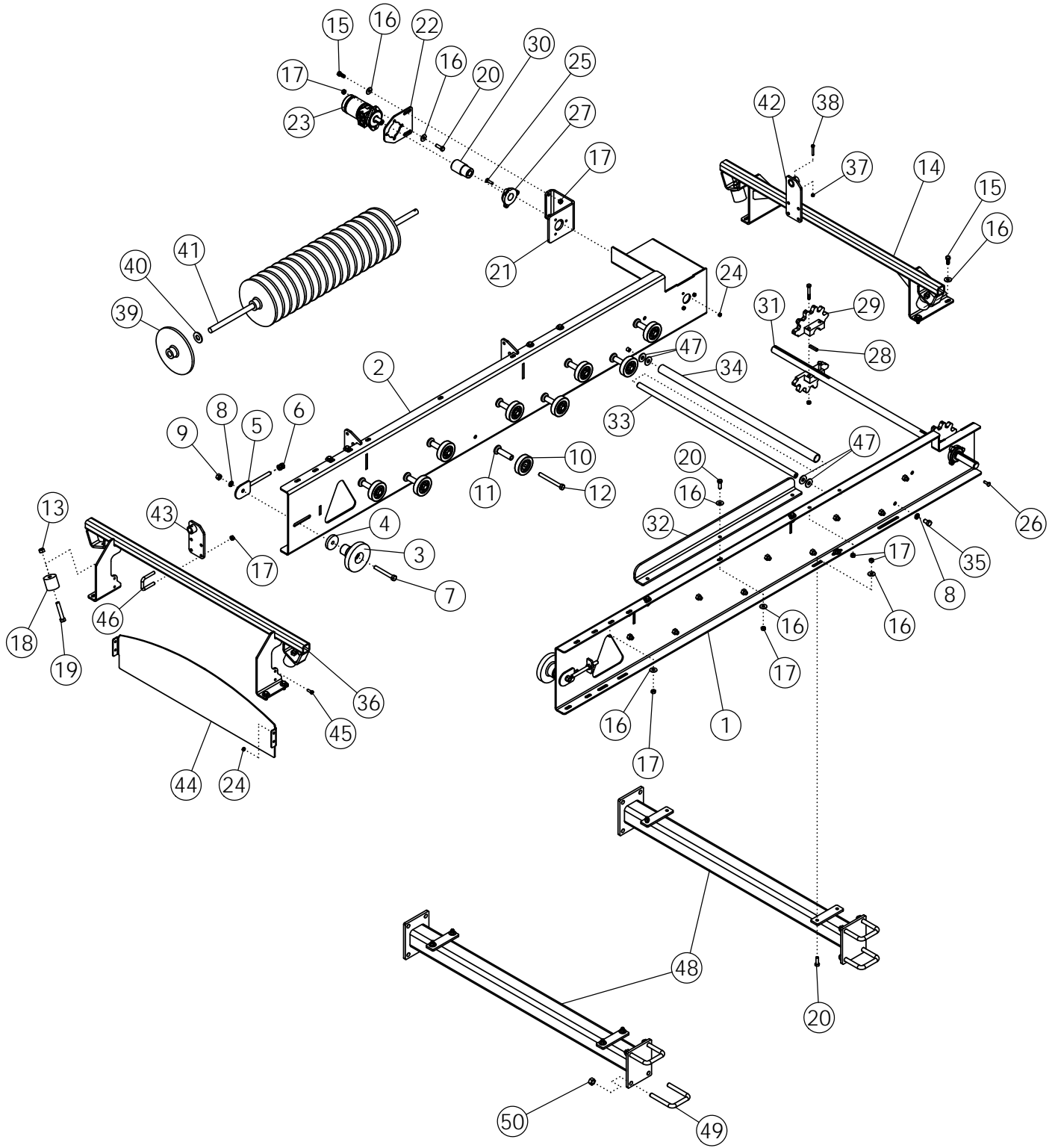
# ELEVATOR BOOM

ITEM	PART NO.	DESCRIPTION	QTY
1	72756	WLDMT-ELEVATOR BOOM 12R	1
2	1014349	BOLT-HEX: .63 X 1.50 NC GR5 ZP	2
3	1013024	WASHER-FLAT: .63 ZP	4
4	53449	SLEEVE-HINGE	2
5	1016595	NUT-TOPLOCK: .63 NC GR5 ZP	24
6	68650	SHAFT - DRIVE	1
7	52382	SEAL PROTECTOR	2
8	52405	PILLOW BLOCK BEARING 1.75	2
9	1011608	BOLT-HEX: .50 X 1.75 NC GR5 ZP	2
10	1014443	WASHER-FLAT: .50 ZP	8
11	1027461	NUT-TOPLOCK: .50 NC GR5 ZP	8
12	64192	STAND OFF	16
13	53854	BOGIE WHEEL 4"	8
14	1013068	BOLT-HEX: .63 X 6.00 NC GR5 ZP	16
15	53825	BOGIE WHEEL 5"	8
16	64744	WLDMT-BOOM EXTENSION	2
17	58898	WLDMT-SCRUB EXT-REAR	2
18	54803	CROSS BRACE-BOOM	1
19	1011606	BOLT-HEX: .50 X 1.25 NC GR5 ZP	14
20	1011581	WASHER-LOCK: .50 ZP	12
21	68659	SPROCKET-SPLIT 50MM 12T Ø1.75	2
	68658	SPROCKET-SPLIT 56MM 10T Ø1.75	
22	50152	KEY .38 X .38 X 2.00	3
23	72329	WLDMT-REDUCTION MOUNT REAR	1
24	63876	TENSIONER ZP	1
25	58086	SPACER-CHAIN IDLER ZP	1
26	56334	SPROCKET-IDLER 8012	1
27	1011591	NUT-JAM: .50 NC ZP	2
28	1012061	WASHER-LOCK: .75 ZP	1
29	1011620	NUT-HEX: .75 NC GR2 ZP	1
30	1012059	BOLT-HEX: .75 X 3.00 NC GR5 ZP	1
31	64155	SPROCKET H80-P15	1
32	53719	HUB P1 1-1/4" (WITH KEY)	1
33	56650	SPROCKET H80-Q20	1
34	50335	HUB Q1 1.75"	1
35	64654	CHAIN-ROLLER 60H-1R-045	1
36	64732	PLATE-SHIM	1
37	64578	WLDMT-BOOM END SUPPORT	1
38	1032509	BOLT-HEX .63 X 1.25 NC GR5 ZP	4
39	57686	MOTOR-HYDRAULIC 32.3IN <sup>3</sup> /REV	1
	57880	SEAL KIT FOR 57686	
40	1011660	BOLT-CRG: .50 X 1.50 NC GR5 ZP	2
41	1017708	BOLT-HEX: .50 X 2.25 NC GR5 ZP	2
42	64675	LINK-OFFSET (NOT SHOWN)	2
43	62932	PLATE-SHIM	2
44	68664	ROLLER-STEP 5"	2
45	1013935	BOLT-HEX: .63 X 4.50 NC GR5 ZP	2



# WHEEL ASSEMBLY

ITEM	PART NO.	DESCRIPTION	QTY
1	300115	WLDMT-WHEEL HALF 12R	2
2	59410	TUBE-COUPLER ZP	48
3	1030795	PIN-ROLL: .25 X 1.00 ZP	48
4	1017526	BOLT-HEX .63 X 2.25 NC GR5 ZP	12
5	1016595	NUT-TOPLOCK: .63 NC GR5 ZP	12
6	59488	BOLT-CRG: .38 X 1.00 NC GR5 ZP	18
7	59485	TAB-WHEEL DRIVE	18
8	1016999	NUT-TOPLOCK: .38 NC GR5 ZP	18

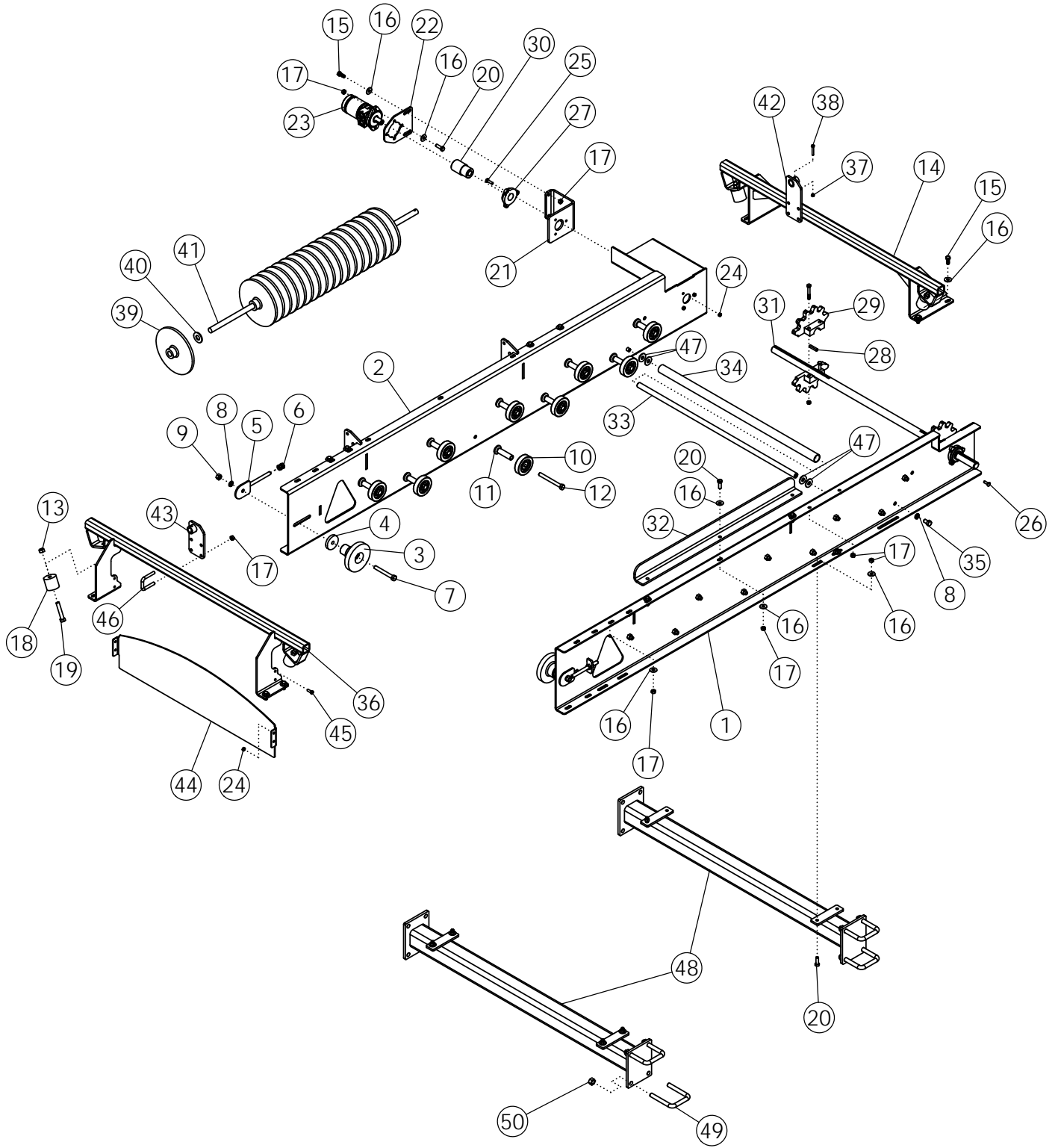




# WHEEL CONVEYOR

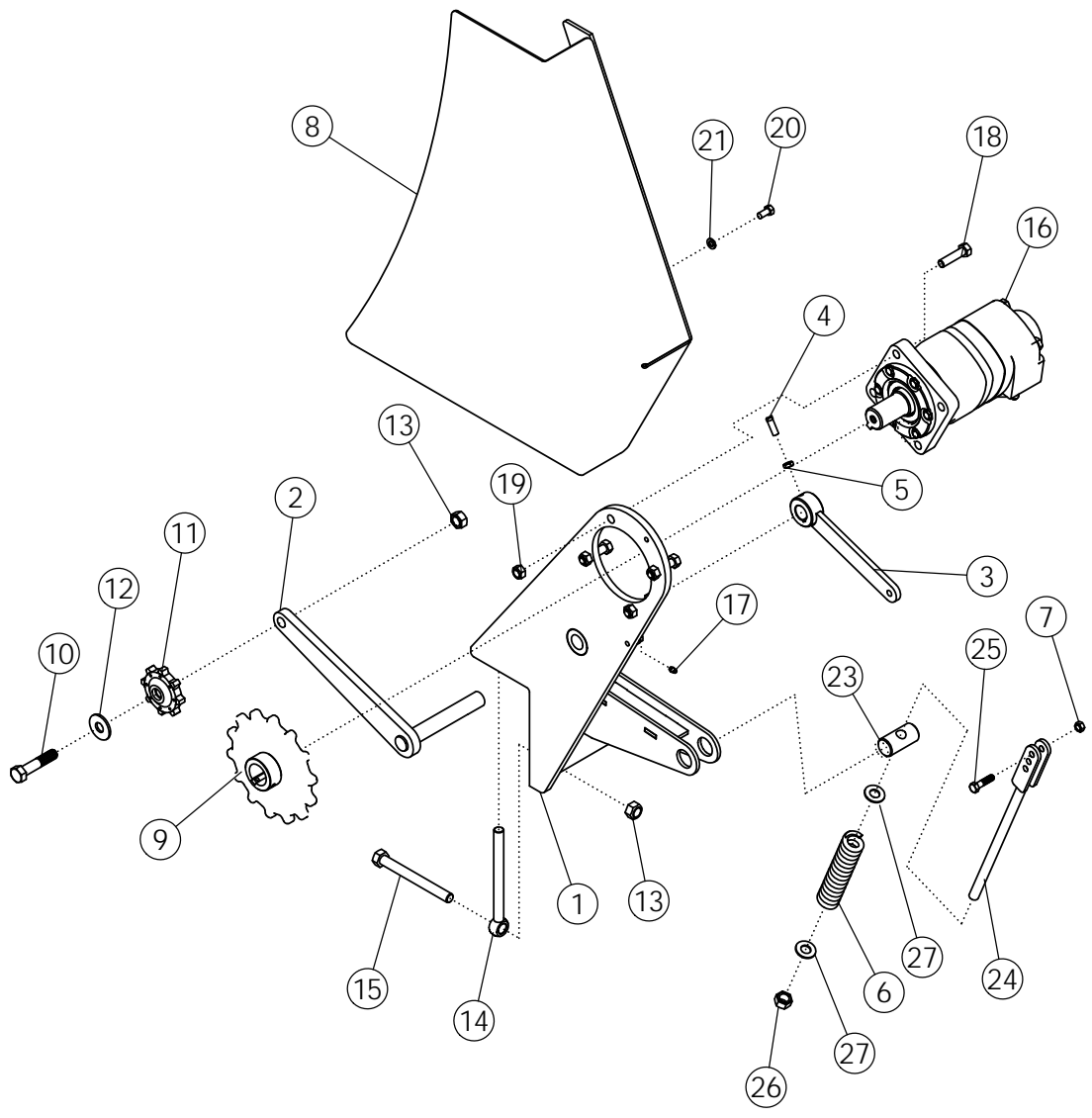
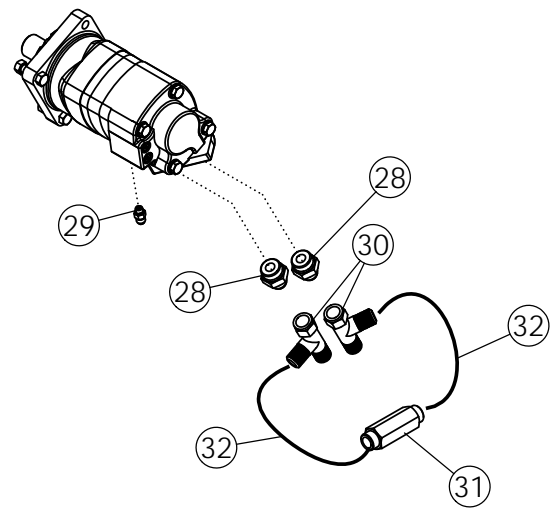
ITEM	PART NO.	DESCRIPTION	QTY
1	73667	WLDMT-CONVEYOR RH 12R	1
2	73668	WLMDT-CONVEYOR LH 12R	1
3	54042	ROLLER-STEP 6"	2
4	62932	PLATE-SHIM .50 ZP	2
5	59711	TIGHTENER BOLT ZP	2
6	1026259	NUT-JAM: .63 NC GR2 ZP	4
7	1013816	BOLT-HEX: .63 X 5.00 NC GR5 ZP	2
8	1011813	WASHER-LOCK: .63 ZP	4
9	1011578	NUT-HEX: .63 NC GR2 ZP	2
10	53854	BOGIE WHEEL 4"	18
11	64192	STAND OFF	18
12	1013068	BOLT-HEX: .63 X 6.00 NC GR5 ZP	18
13	1016595	NUT-TOPLOCK: .63 NC GR5 ZP	22
14	59695	WLDMT-ROLLER MOUNT FRONT	1
15	1011606	BOLT-HEX: .50 X 1.25 NC GR5 ZP	10
16	1014443	WASHER-FLAT: .50 ZP	30
17	1027461	NUT-TOPLOCK: .50 NC GR5 ZP	31
18	59454	IDLER ROLLER	4
19	1014000	BOLT-HEX: .63 X 3.50 NC GR5 ZP	4
20	1011607	BOLT-HEX: .50 X 1.50 NC GR5 ZP	13
21	62914	BRACKET-MOTOR MOUNT	1
22	57843	PLATE-MOTOR HYDRAULIC	1
23	59449	MOTOR-HYDRAULIC 20 IN <sup>3</sup> /REV	1
	57881	SEAL KIT FOR 59449	
24	1016999	NUT-TOPLOCK: .38 NC GR5 ZP	10
25	58679	BOLT-CRG: .38 X 1.50 NC GR5 ZP	3
26	1016362	BOLT-CRG: .38 X 1.25 NC GR5 ZP	3
27	53662	BEARING-FLANGE 1-7/16"	2
28	50152	KEY .38 X .38 X 2.00	2
29	53712	SPROCKET-SPLIT 45MM	2
30	52867	COUPLING	1
31	53392	SHAFT - DRIVE	1
32	73671	PLATE-CONVEYOR EXTENSION	1
33	56754	ROD-THREADED	1
34	56773	PIPE-PLASTIC	1
35	1032509	BOLT-HEX .63 X 1.25 NC GR5 ZP	2
36	59702	WLDMT-ROLLER MOUNT REAR	1
37	1030700	NUT-TOPLOCK: .31 NC GR5 ZP	1
38	1011285	BOLT-HEX: .31 X 2.00 NC	1
39	52876	KNOCKOUT WHEEL	19
40	1020685	WASHER-FLAT: 1.00	19

CONTINUED



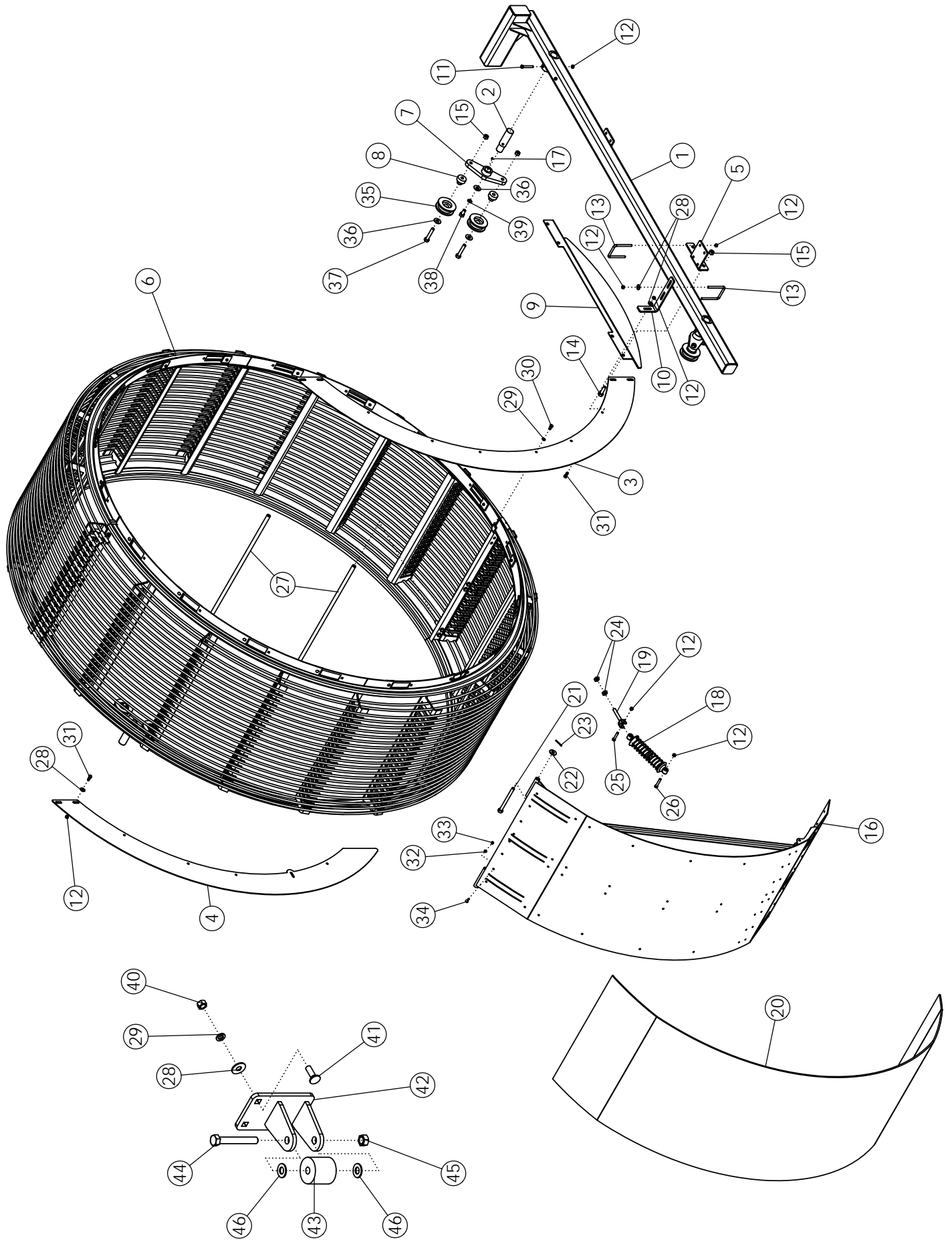
## WHEEL CONVEYOR (CONTINUED)

ITEM	PART NO.	DESCRIPTION	QTY
41	73528	SHAFT-KNOCKOUT WHEEL 12R	1
42	59724	WLDMT-KNOCKOUT BRACKET FRONT	1
43	59725	WLDMT-KNOCKOUT BRACKET REAR	1
44	64918	SHIELD-UPPER	1
45	1011600	BOLT-HEX: .38 X 1.00 NC GR5 ZP	4
46	65658	U-BOLT: .50 X 3 X 2.06 X 3	4
47	1013024	WASHER-FLAT: .63ZP	4
48	73542	WLDMT-HORIZONTAL SUPPORT	2
49	65274	U-BOLT: .750 X 5.50 X 4.063 X 5.50	8
50	1017000	NUT-TOPLOCK: .75 NC GR5 ZP	16
51	73518	BELT-45MM WHEEL CONVEYOR 12R (NOT SHOWN)	1



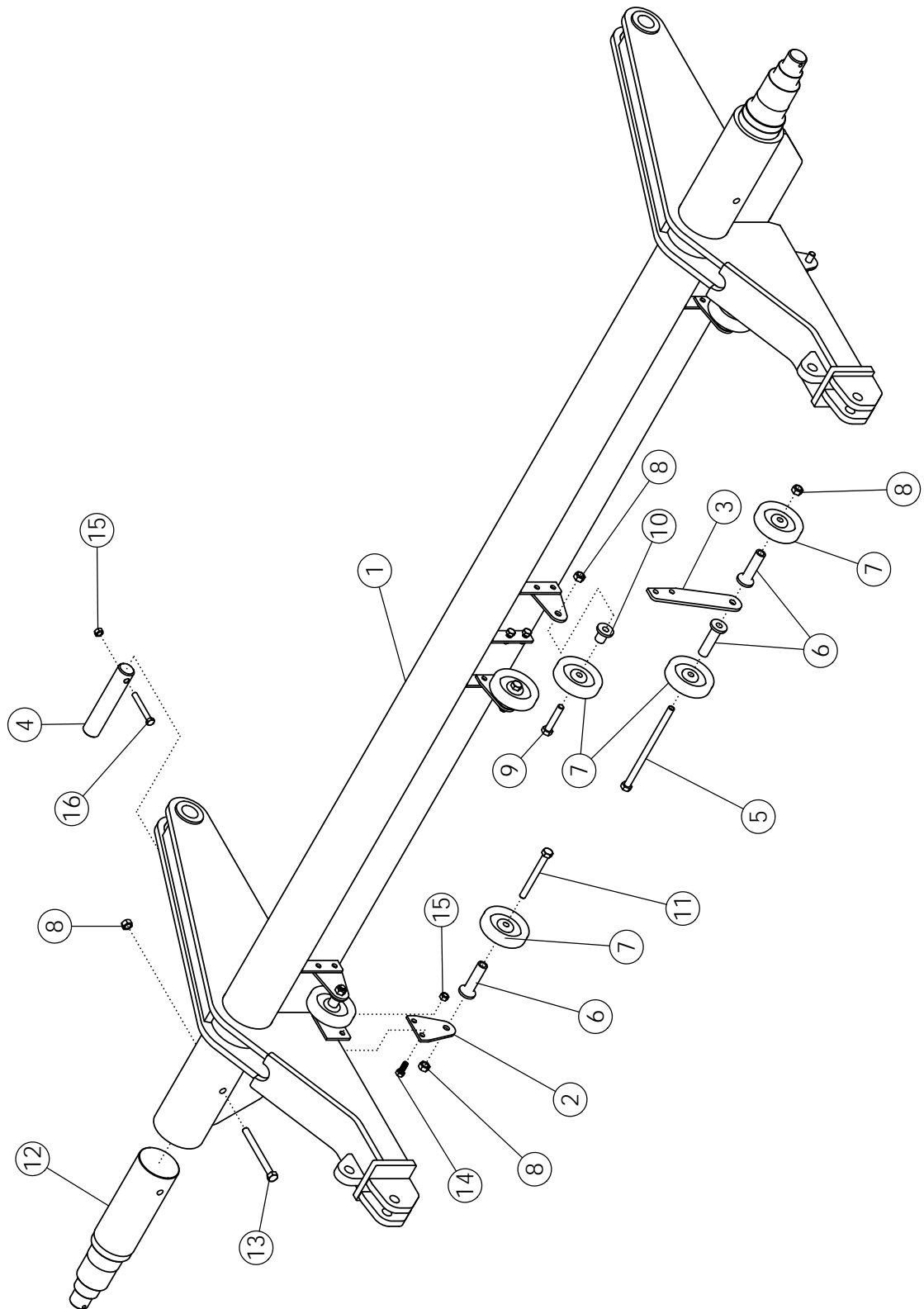
# WHEEL DRIVE

ITEM	PART NO.	DESCRIPTION	QTY
1	300190	WLDMT-MOTOR MOUNT	1
2	59624	WLDMT-IDLER ARM	1
3	50718	ARM-ZP	1
4	50813	SCREW-SET: SQ HD .38 X 1.00 ZP	1
5	1013519	NUT-JAM: .38 NC GR2 ZP	1
6	64915	SPRING	1
7	1016999	NUT-TOPLOCK: .38 NC GR5 ZP	1
8	300193	WLDMT-CHAIN GUARD 12R	1
9	300195	WLDMT-SPROCKET 12R	1
10	1011624	BOLT-HEX: .63 X 3.00 NC GR5 ZP	1
11	59629	SPROCKET-IDLER	1
12	1013024	WASHER-FLAT: .63 ZP	1
13	1016595	NUT-TOPLOCK: .63 NC GR5 ZP	5
14	53195	EYEBOLT: .63 X 7.50 ZP	2
15	1013068	BOLT-HEX: .63 X 6.00 NC GR5 ZP	2
16	300143	MOTOR-HYDRAULIC 24IN <sup>3</sup> /REV	1
	301041	SEAL KIT FOR 300143	
17	1011748	ZERK - GREASE	1
18	1011609	BOLT-HEX: .50 X 2.00 NC GR5 ZP	4
19	1027461	NUT-TOPLOCK: .50 NC GR5 ZP	4
20	1011599	BOLT-HEX: .38 X 0.75 NC GR5 ZP	2
21	1011586	WASHER-LOCK: .38 ZP	2
22	59625	CHAIN-WHEEL DRIVE (NOT SHOWN)	1
23	64914	SHAFT-PIVOT	1
24	64913	SHAFT-ZP	1
25	1011602	BOLT-HEX: .38 X 1.50 NC GR5 ZP	1
26	1013302	NUT-NYLOCK: .63 NC GR2 ZP	1
27	1013004	WASHER-FLAT: SAE .63 ZP	2
28	58982	FTG-ADAPTER: 16MB-12MJ	2
29	300245	FTG-ADAPTER: 4MB-6MJ	1
30	59888	FTG-TEE: 12MJ-12FJX-12MJ	2
31	68179	FTG-ADAPTER: 8MB-8FJX	1
32	68437	HOSE: .50 X 014 12FJX-12FJX	2



# FRAME EXTENSION

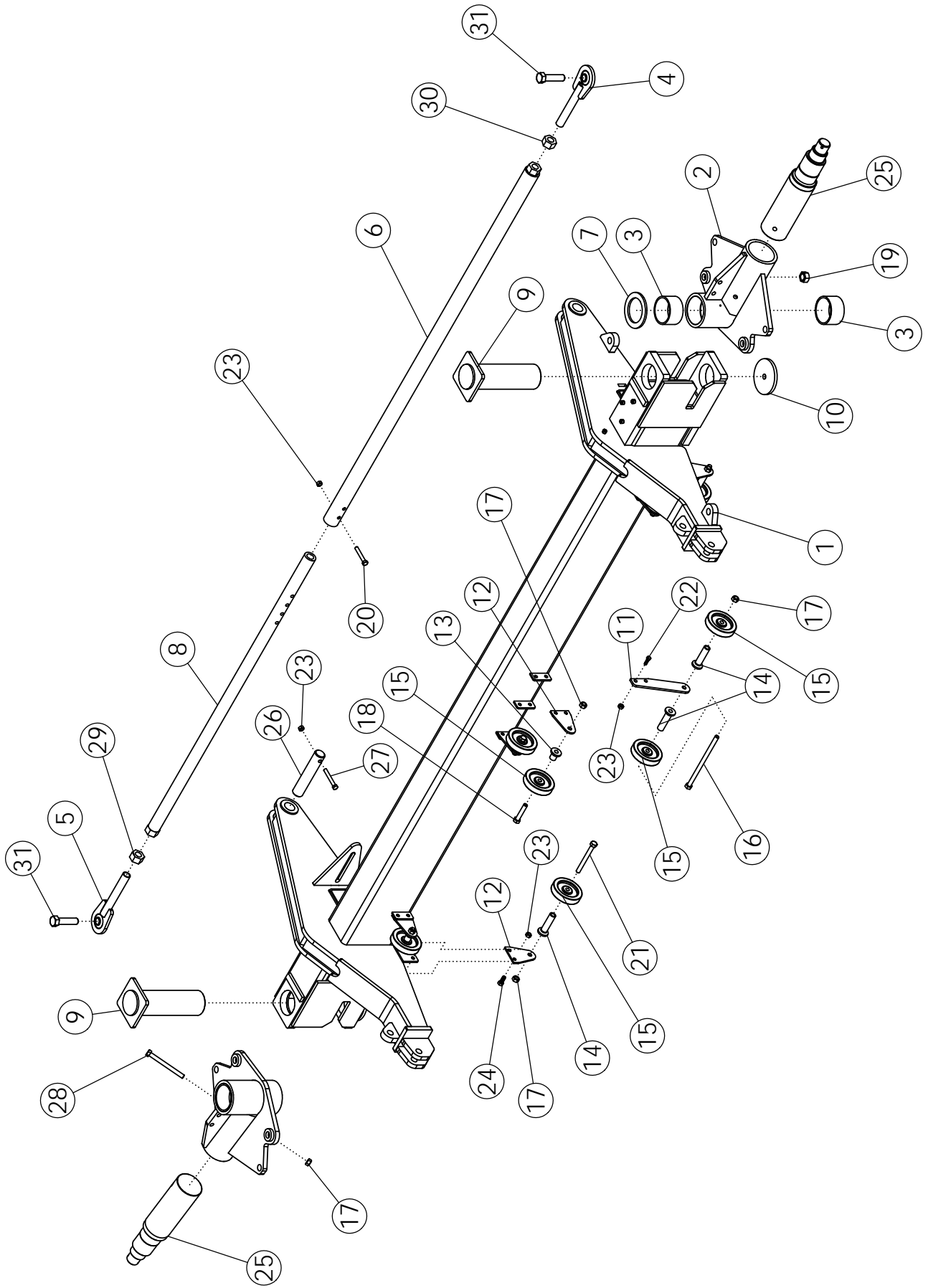
ITEM	PART NO.	DESCRIPTION	QTY
1	300185	WLDMT-REAR MOUNT	1
2	58726	SHAFT-MOUNT ROLLER	2
3	59461	SHIELD-SHOE	1
4	300199	SHIELD-SHOE SHORT	1
5	73571	PLATE-DEFLECTOR SHIELD SUPPORT	2
6	300113	ASSY-WHEEL 12R	1
7	59437	WLDMT-ROLLER MOUNT	2
8	58910	STAND-OFF-ROLLER	2
9	69624	PLATE-DEFLECTOR WHEEL	1
10	300198	PLATE-SHOE SHIELD BRACKET	1
11	1011612	BOLT-HEX: .50 X 3.50 GR5 ZP	1
12	1027461	NUT-TOPLOCK: .50 NC GR5 ZP	7
13	33856	U-BOLT: .50 X 5.50 X 4 X 5.50	2
14	1016598	BOLT- .75 X 2.50 NC GR5 ZP	1
15	1017000	NUT-TOPLOCK: .75 NC GR5 ZP	2
16	300024	WLDMT-SLIDE 12R	1
17	1011748	ZERK-GREASE: .25 UNF STRAIGHT	3
18	59637	SHOCK-COIL SPRING	3
19	59636	BOLT-CLEVIS ZP	3
20	73577	PLASTIC-SLIDE UHMW 12R	1
21	69148	PIN-BOLT W/COTTER	2
22	1030702	WASHER-FLAT .75 ZP	2
23	1030797	PIN-COTTER: .19 X 1.75 NP	2
24	1011827	NUT-JAM: .75 NC GR2 ZP	6
25	1011610	BOLT-HEX: .50 x 2.50 NC GR5 ZP	1
26	1016858	BOLT-HEX: .50 x 2.75 NC GR5 ZP	1
27	73572	ROD-SLIDE SUPPORT 12R	2
28	1014443	WASHER-FLAT: .50 ZP	5
29	1011581	WASHER-LOCK: .50 ZP	3
30	1011096	BOLT-HEX: .50 X 1.00 NC GR5 ZP	1
31	1011606	BOLT-HEX: .50 X 1.25 NC GR5 ZP	2
32	1011586	WASHER-LOCK: .38 ZP	1
33	1011576	NUT-HEX: .38 NC GR2 ZP	1
34	58679	BOLT-CRG: .38 X 1.50 NC GR5 ZP	1
35	53681	ROLLER-FLANGE	6
36	1030702	WASHER-FLAT: .75 ZP	6
37	1011625	BOLT-HEX: .75 X 4.00 NC GR5 ZP	4
38	58367	BOLT-HEX: .75 X 1.50 NC GR5 ZP	2
39	1012061	WASHER-LOCK: .75 ZP	2
40	1011577	NUT-HEX: .50 NC GR2 ZP	2
41	1011660	BOLT-CRG: .50 X 1.50 NC GR5 ZP	2
42	301197	WLDMT-ROLLER MOUNT	1
43	59454	IDLER-ROLLER	1
44	1013935	BOLT-HEX: .63 X 4.50 NC GR5 ZP	1
45	1016595	NUT-TOPLOCK: .63 NC GR5 ZP	1
46	1013004	WASHER-FLAT: SAE .63 ZP	2





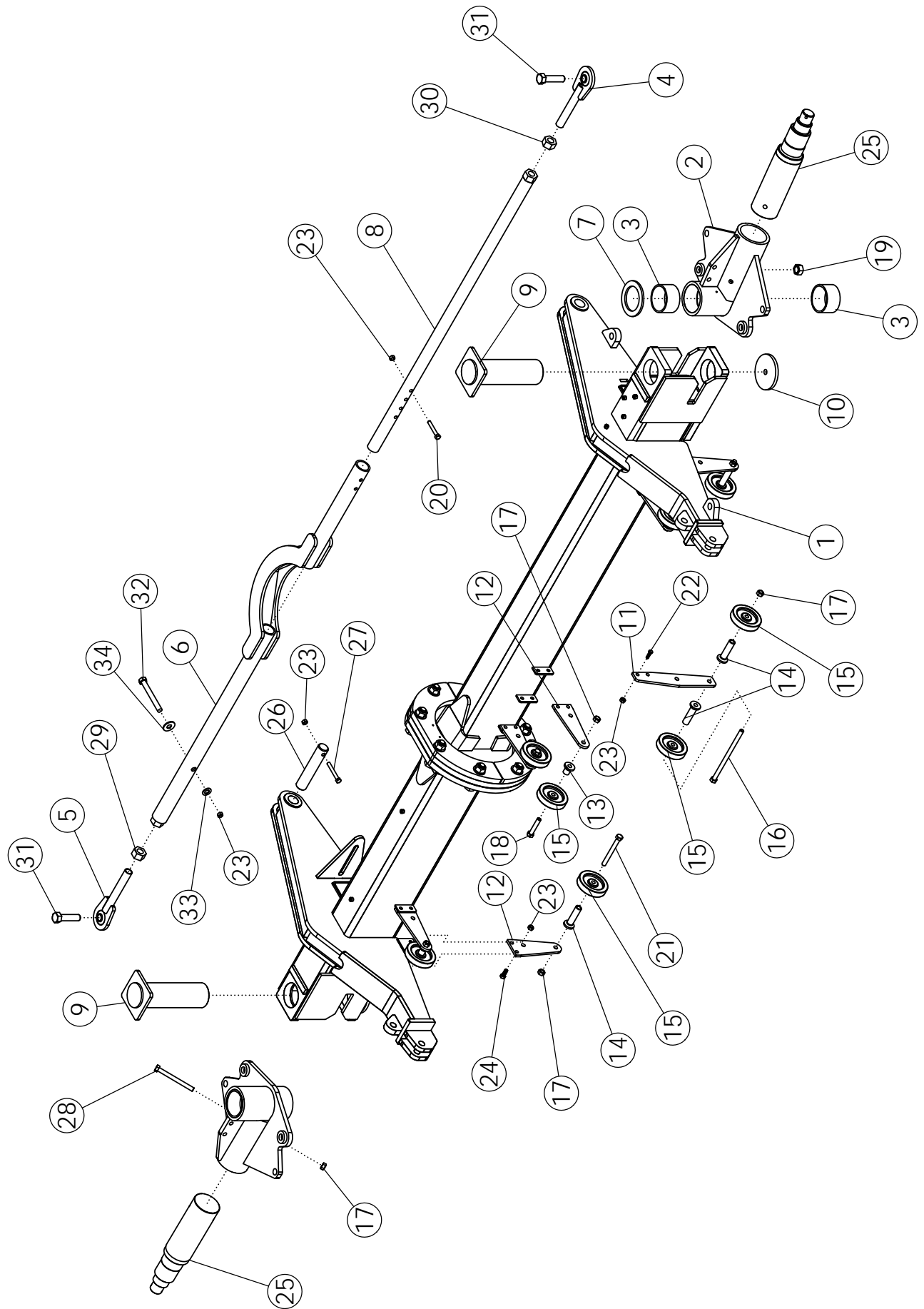
# AXLE COMPONENTS

ITEM	PART NO.	DESCRIPTION	QTY
1	72643	WLDMT-AXLE MAIN	1
2	72263	PLATE-BOGIE WHEEL	6
3	72827	PLATE-CENTER BOGIE	1
4	72311	PIN-AXLE MAIN	2
5	72773	BOLT-HEX: .63 X 11.00 NC GR5 ZP	1
6	64192	STAND OFF	4
7	53825	BOGIE WHEEL 5"	8
8	1016595	NUT-TOPLOCK: .63 NC GR5 ZP	9
9	65825	BOLT-HEX: .63 X 3.25 NC GR5 ZP	4
10	58971	STAND OFF 1.50"	4
11	1013068	BOLT-HEX: .63 X 6.00 NC GR5 ZP	2
12	72096	ASSY-SPINDLE 4.5 X 20.0 CR	2
13	1012913	BOLT-HEX .63 X 6.50 NC GR5 ZP	2
14	1011606	BOLT-HEX: .50 X 1.25 NC GR5 ZP	14
15	1027461	NUT-TOPLOCK: .50 NC GR5 ZP	16
16	1029104	BOLT-HEX: .50 X 3.75 NC GR5 ZP	2



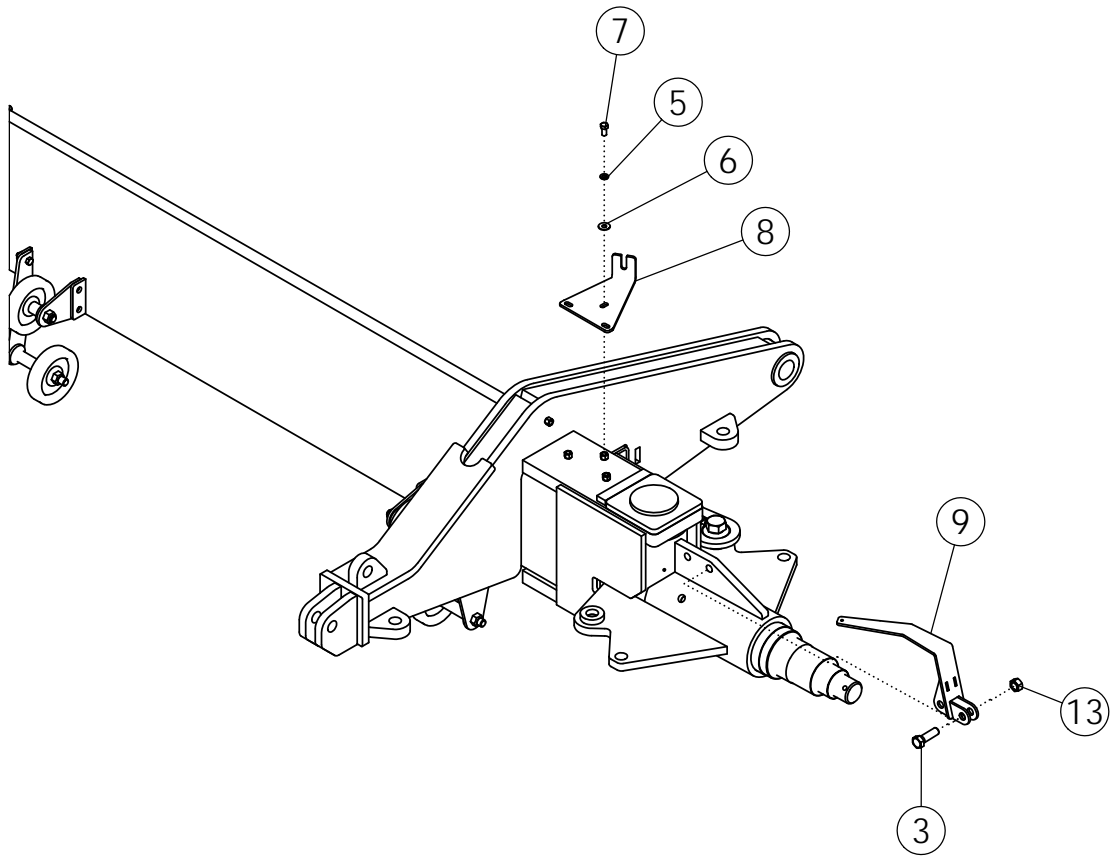
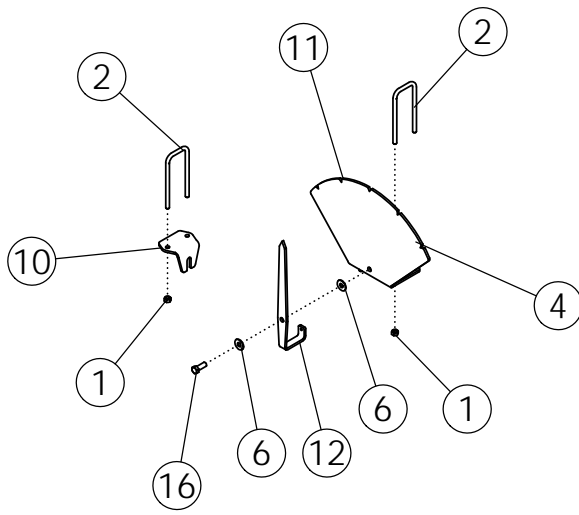
# STEERABLE STRUT ASSEMBLY

ITEM	PART NO.	DESCRIPTION	QTY
1	73070	WLDMT-AXLE STEEARABLE	1
2	73078	WLDMT-SPINDLE HOUSING	2
3	59205	BUSHING	4
4	58203	WLDMT-TIE ROD LH	1
5	58186	WLDMT-TIE ROD RH	1
6	73096	WLDMT-TIE ROD FEMALE	1
7	73097	BEARING-CIRCULAR DISC	2
8	73100	WLDMT-TIE ROD MALE	1
9	73092	WLDMT-KING PIN	2
10	73105	PLATE-KING PIN WASHER	2
11	72827	PLATE-CENTER BOGIE	1
12	72263	PLATE-BOGIE WHEEL	6
13	58971	STAND OFF 1.50"	4
14	64192	STAND OFF	4
15	53825	BOGIE WHEEL 5"	8
16	72773	BOLT-HEX: .63 X 11.00 NC GR5 ZP	1
17	1016595	NUT-TOPLOCK: .63 NC GR5 ZP	8
18	65825	BOLT-HEX: .63 X 3.25 NC GR5 ZP	4
19	1016969	NUT-TOPLOCK: 1.00 NC GR5 ZP	2
20	1017719	BOLT-HEX: .50 X 3.25 NC GR5 ZP	2
21	1013068	BOLT-HEX: .63 X 6.00 NC GR5 ZP	2
22	1011601	BOLT-HEX: .38 X 1.25 NC GR5 ZP	2
23	1027461	NUT-TOPLOCK: .50 NC GR5 ZP	6
24	1011606	BOLT-HEX: .50 X 1.25 NC GR5 ZP	2
25	72096	ASSY-SPINDLE 4.5 X 20.0 CR	2
26	72311	PIN-AXLE MAIN	2
27	1029104	BOLT-HEX: .50 X 3.75 NC GR5 ZP	2
28	1012913	BOLT-HEX .63 X 6.50 NC GR5 ZP	2
29	1011621	NUT-HEX: 1.25 NC GR2 ZP	1
30	1030729	NUT-HEX: 1.25 NC GR2 LH ZP	1
31	1032276	BOLT-HEX: 1.0 X 3.50 NC GR8 ZP	2



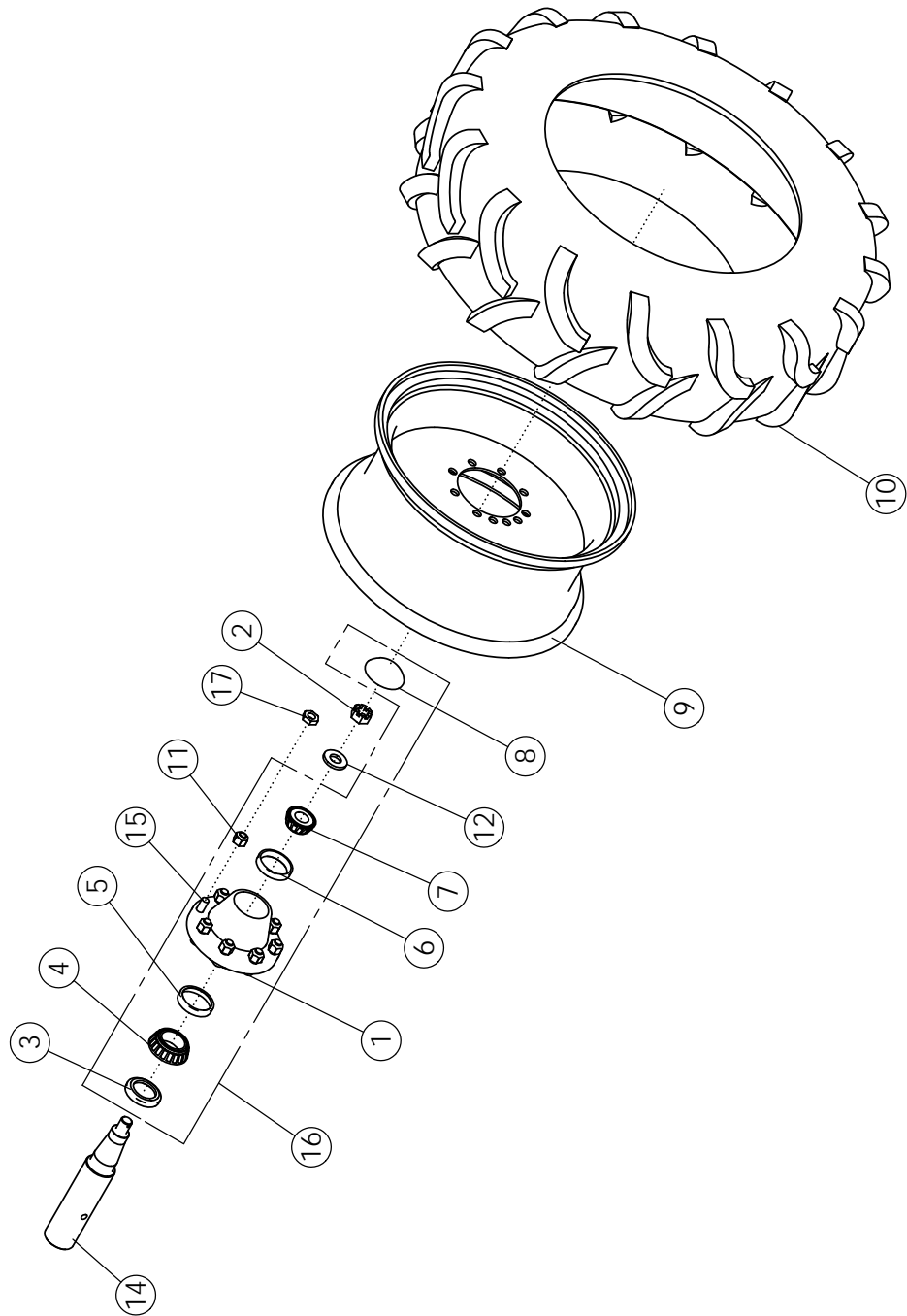
# STEERABLE STRUT ASSEMBLY ADC

ITEM	PART NO.	DESCRIPTION	QTY
1	73070	WLDMT-AXLE STEEARABLE	1
2	73078	WLDMT-SPINDLE HOUSING	2
3	59205	BUSHING	4
4	58203	WLDMT-TIE ROD LH	1
5	58186	WLDMT-TIE ROD RH	1
6	73096	WLDMT-TIE ROD FEMALE	1
7	73097	BEARING-CIRCULAR DISC	2
8	73100	WLDMT-TIE ROD MALE	1
9	73092	WLDMT-KING PIN	2
10	73105	PLATE-KING PIN WASHER	2
11	301108	PLATE-CENTER BOGIE	1
12	301111	PLATE-BOGIE WHEEL	6
13	58971	STAND OFF 1.50"	4
14	64192	STAND OFF	4
15	53825	BOGIE WHEEL 5"	8
16	72773	BOLT-HEX: .63 X 11.00 NC GR5 ZP	1
17	1016595	NUT-TOPLOCK: .63 NC GR5 ZP	8
18	65825	BOLT-HEX: .63 X 3.25 NC GR5 ZP	4
19	1016969	NUT-TOPLOCK: 1.00 NC GR5 ZP	2
20	1017719	BOLT-HEX: .50 X 3.25 NC GR5 ZP	2
21	1013068	BOLT-HEX: .63 X 6.00 NC GR5 ZP	2
22	1011601	BOLT-HEX: .38 X 1.25 NC GR5 ZP	2
23	1027461	NUT-TOPLOCK: .50 NC GR5 ZP	7
24	1011606	BOLT-HEX: .50 X 1.25 NC GR5 ZP	2
25	72096	ASSY-SPINDLE 4.5 X 20.0 CR	2
26	72311	PIN-AXLE MAIN	2
27	1029104	BOLT-HEX: .50 X 3.75 NC GR5 ZP	2
28	1012913	BOLT-HEX .63 X 6.50 NC GR5 ZP	2
29	1011621	NUT-HEX: 1.25 NC GR2 ZP	1
30	1030729	NUT-HEX: 1.25 NC GR2 LH ZP	1
31	1032276	BOLT-HEX: 1.0 X 3.50 NC GR8 ZP	2
32	1016718	BOLT-HEX: .75 X 6.50 NC GR5 ZP	1
33	1012634	WASHER-FLAT: SAE .75 ZP	1
34	1030702	WASHER-FLAT .75 ZP	1



# STEERING INDICATOR ASSEMBLY

ITEM	PART NO.	DESCRIPTION	QTY
1	1030700	NUT-TOPLOCK: .31 NC GR5 ZP	6
2	65656	U-BOLT: .313 X 5.00 X 2 X 5.00	3
3	1011623	BOLT-HEX: .63 X 2.00 NC GR5 ZP	2
4	1011499	NUT-CENTERLOCK	1
5	1011586	WASHER-LOCK: .38 ZP	3
6	1011828	WASHER-FLAT .38 ZP	5
7	1011599	BOLT-HEX: .38 X .75 NC GR5 ZP	3
8	73437	PLATE-INDICATOR AXLE MOUNT	1
9	73438	WLDMT-INDICATOR TRUNNION MOUNT	1
10	73436	PLATE-INDICATOR CABLE MOUNT	1
11	73435	PLATE-INDICATOR GAUGE	1
12	73434	PLATE-INDICATOR DIAL	1
13	1016595	NUT-TOPLOCK: .63 NC GR5 ZP	2
14	73441	PUSH-PULL CABLE 10-32 X 9' (NOT SHOWN)	1
15	37761	P-CLIP .38 X 1.00 (NOT SHOWN)	1
16	1011600	BOLT-HEX: .38 X 1.00 NC GR5 ZP	1



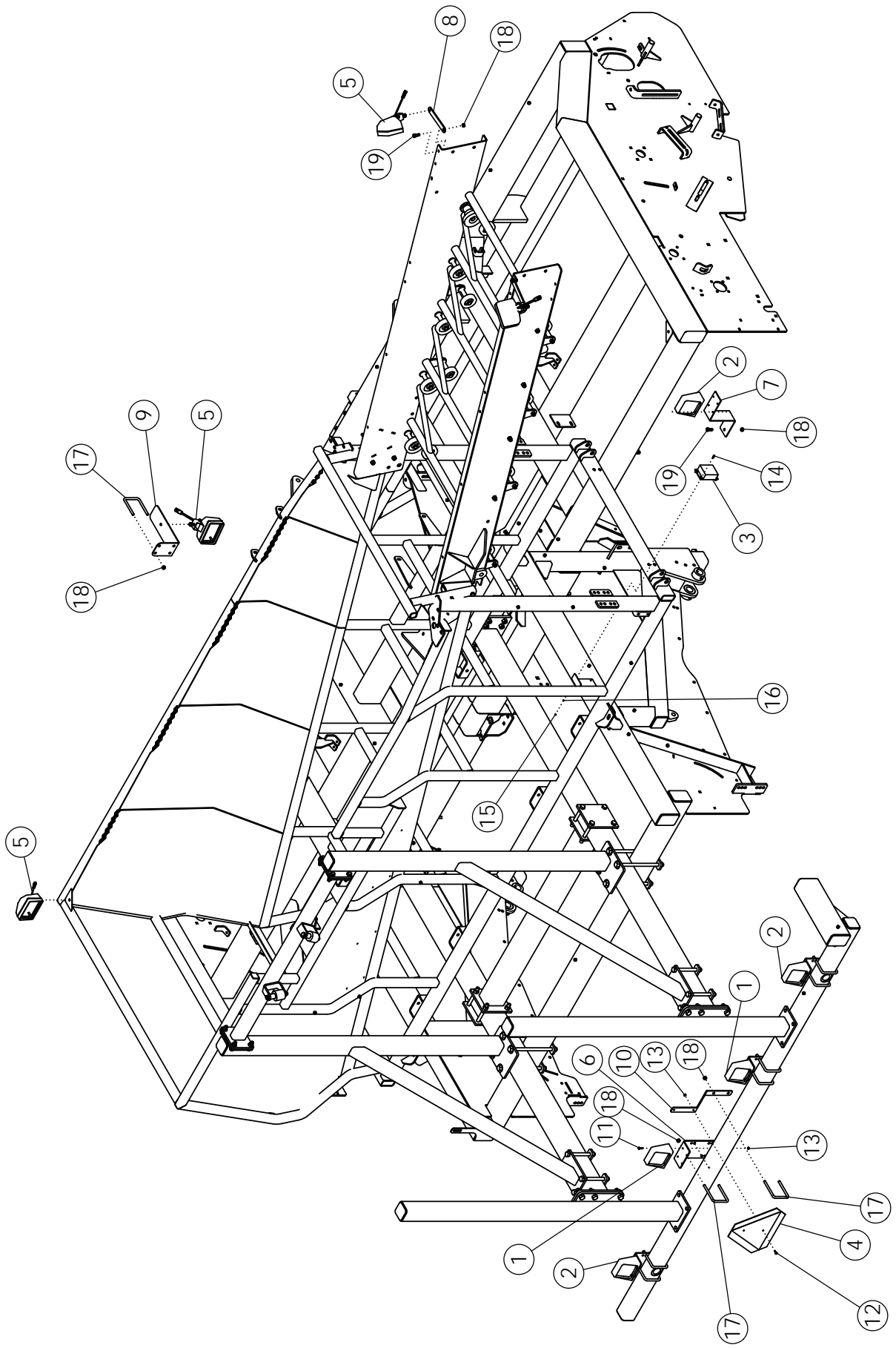


# SPINDLE & HUB ASSEMBLY

ITEM	PART NO.	DESCRIPTION	QTY
1	72976**	HUB-WHEEL 10 BOLT	1
2	72983*	NUT-SPINDLE	1
3	72972**	SEAL-10 BOLT HUB	1
4	72979**	BEARING-CONE INNER	1
5	72977**	BEARING-CUP INNER	1
6	72978**	BEARING-CUP OUTER	1
7	72980**	BEARING-CONE OUTER	1
8	72981**	HUB CAP	1
9	72646	WHEEL-38XMW23A (.62" INSET)	1
	72497	WHEEL 20X30.5 10 BOLT (.63" INSET) (STEERABLE STRUT)	
10	72647	TIRE-710/70R38 177A8 R1W	1
	72498	TIRE 600/60R30.5 TL(STEERABLE STRUT)	
11	72982**	NUT-FLANGE	10
12	72984*	WASHER	1
13	72985*	KEY (NOT SHOWN)	1
14	72096	SPINDLE ASSY	1
15	72772**	STUD-HUB BOLT	10
16	72496	ASSY-HUB 10 BOLT	1
17	1016492	NUT-JAM: .75NF GR2 ZP	10

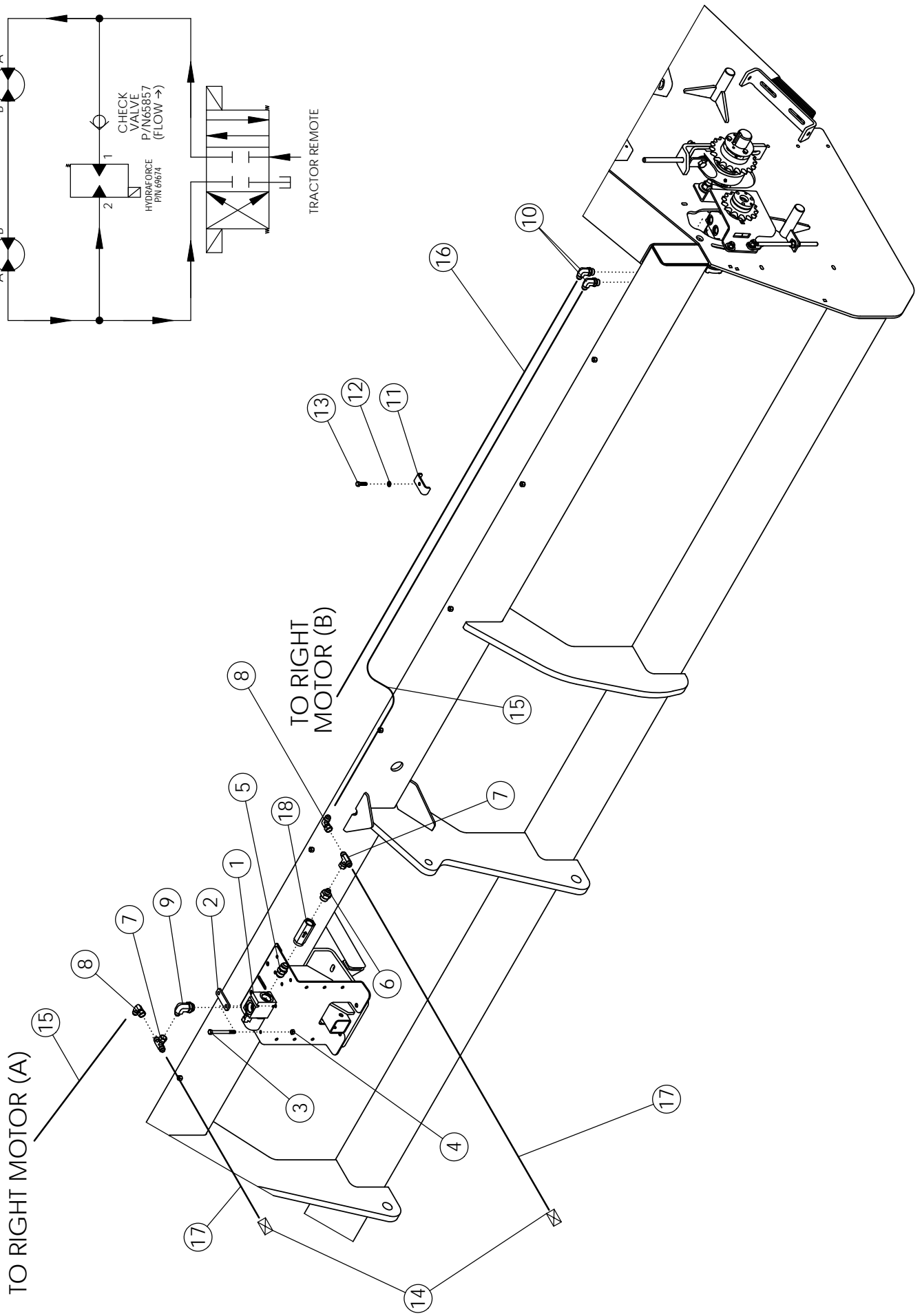
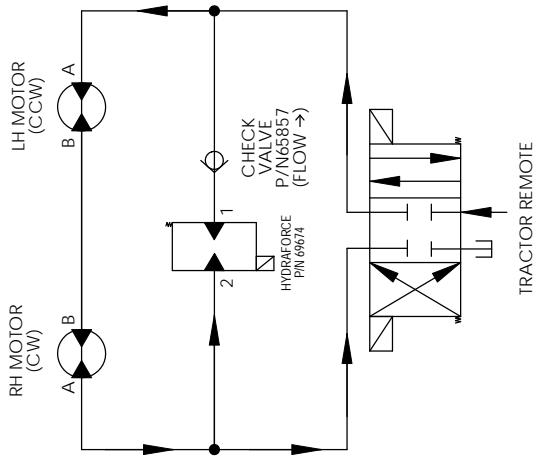
\*Items are included with item 14

\*\*Items are included with item 16



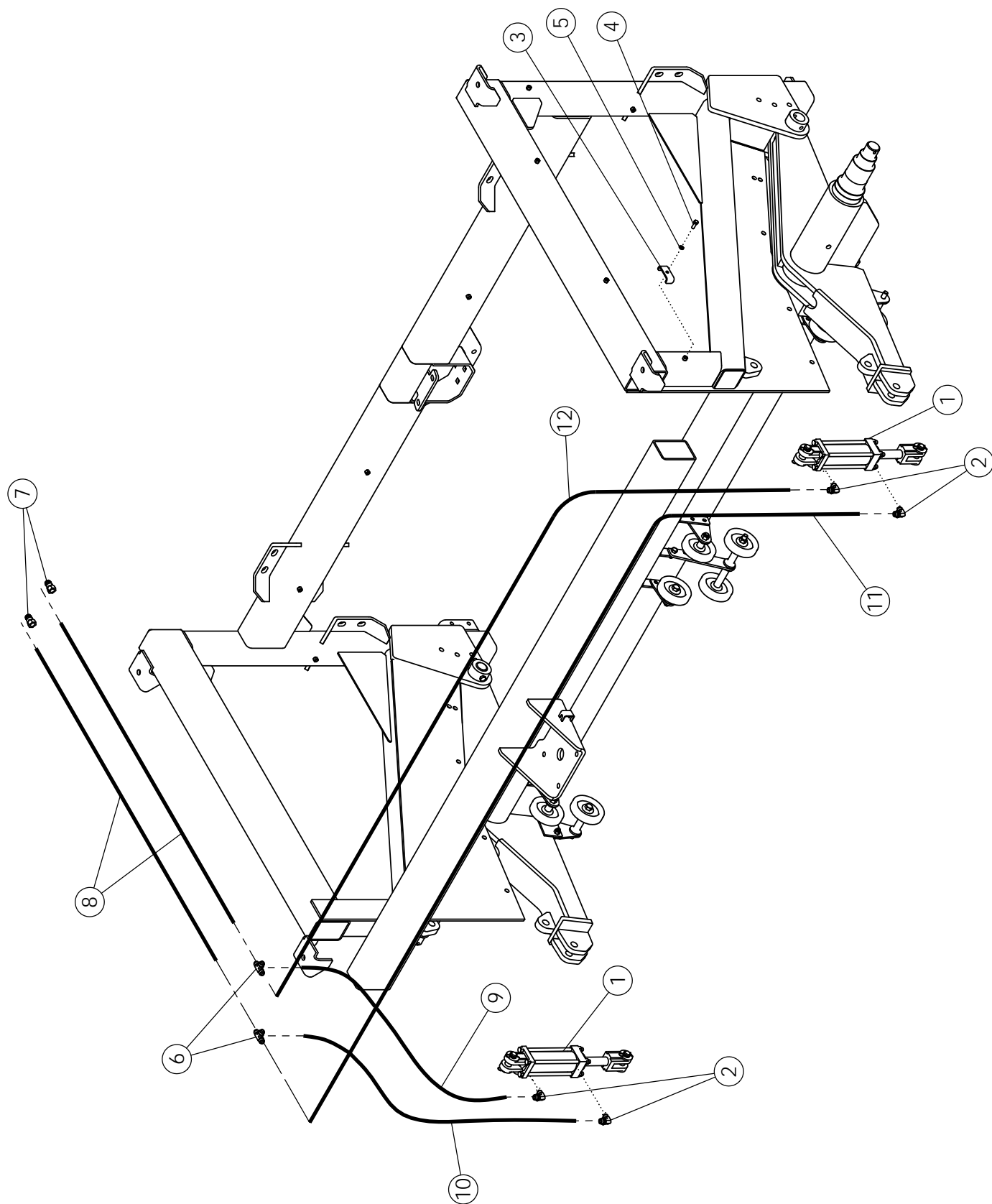
# LIGHT KIT

ITEM	PART NO.	DESCRIPTION	QTY
1	65953	LAMP-RED TAIL	2
2	65954	LAMP-AMBER TAIL	4
3	65341	MODULE-INTERFACE	1
4	65329	SIGN-SMV ASAE	1
5	62900	ASSY - LIGHT FLOOD W/CON	5
6	64363	BRACKET-LIGHT RED/AMBER WHEEL HRV	4
7	72917	PLATE-CLEARANCE LIGHT	2
8	57168	LIGHT BRACKET	2
9	72504	PLATE-LIGHT MOUNT	2
10	64366	MOUNT-SMV SIGN	1
11	1013423	BOLT-HEX: .25 X 1.00 NC GR5 ZP	24
12	1011595	BOLT-HEX: .25 X .75 NC GR5 ZP	2
13	1030946	NUT-TOPLOCK: .25 NC GR5 ZP	26
14	100615	BOLT-HEX: .19 X .75 NC GR5 ZP	4
15	1011588	NUT-HEX 10-24 NC GR2 ZP	4
16	65681	WASHER-LOCK: .19 ZP	4
17	33856	U-BOLT: .50 X 5.50 X 4 X 5.50	13
18	1027461	NUT-TOPLOCK: .50 NC GR5 ZP	30
19	1011606	BOLT-HEX: .50 X 1.25 NC GR5 ZP	4



# HYDRAULIC PADDLE DRIVE HYDRAULICS

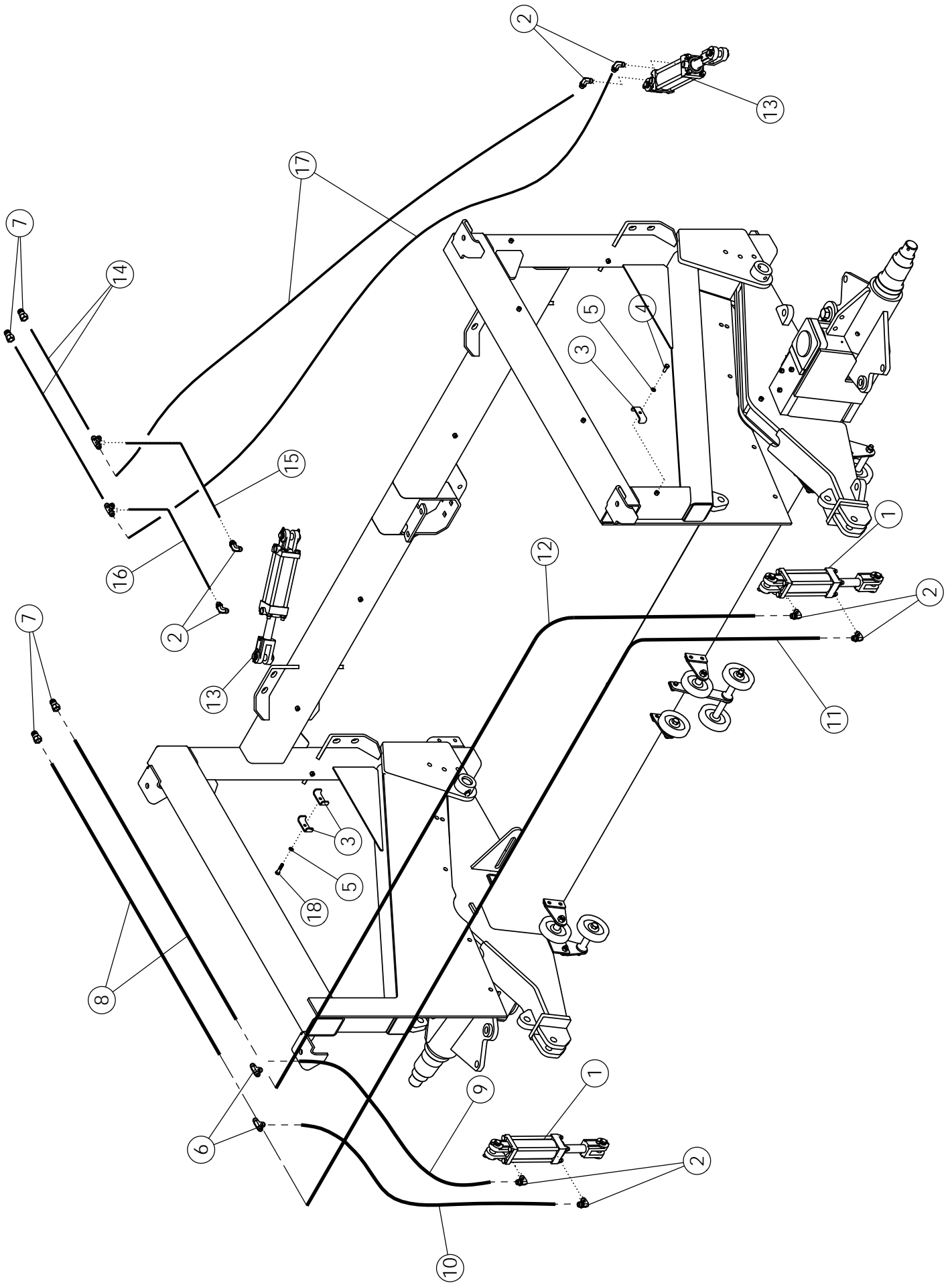
ITEM	PART NO.	DESCRIPTION	QTY
1	69674	VALVE-HYDRAFORCE	1
2	73510	PLATE-BOLTING VALVE HYDRAFORCE	1
3	1014174	BOLT-HEX: .38 X 4.00 NC GR 5ZP	2
4	1016999	NUT-TOPLOCK: .38 NC GR5 ZP	2
5	73493	FTG-ADAPTER: 12MB-12MB	1
6	58607	FTG-ADAPTER: 12MB-10MJ	1
7	73633	FTG-TEE: 10MJ-10MJ-10FJX	2
8	58606	FGT-ELBOW: 10MJ-10FJX-90	2
9	73635	FTG-ELBOW: 12MB-10MJ-90	1
10	73634	FTG-ELBOW: 10MB-10MJ-90	4
11	63753	CLAMP .75 ZP	10
12	1011586	WASHER-LOCK: .38 ZP	10
13	1011602	BOLT-HEX: .38 X 1.50 NC GR5 ZP	10
14	36290	PIONEER TIP 8010-15P (#8 ORB)	2
15	73637	HOSE: .75 X 144 10FJX-10FJX	2
16	73638	HOSE: .75 X 294 10FJX-10FJX	1
17	73636	HOSE: .75 X 128 10MB-10FJX	2
18	65857	VALVE-CHECK SAE #12	1
19	73498	ASSY-HYD PADDLE CONTROL BOX (NOT SHOWN)	1



# AXLE HYDRAULICS

ITEM	PART NO.	DESCRIPTION	QTY
1	72950	CYLINDER-HYDRAULIC 4 X 10-3000-90°	2
	59244	SEAL KIT FOR 72950	
2	58560	FTG-ELBOW: 8MB-8MJ-90	4
3	50714	CLAMP .50 ZP	25
4	1011600	BOLT-HEX: .38 X 1.00 NC GR5 ZP	25
5	1011586	WASHER-LOCK: .38 ZP	25
6	57667	FTG-TEE: 8MJ-8MJ-8MJ	2
7	36290	PIONEER TIP 8010-15P (#8 ORB)	2
8	300047	HOSE: .38 X 348 8MB-8FJX	2
9	72476	HOSE: .38 X 25 8FJX-8FJX	1
10	72909	HOSE: .38 X 38 8FJX-8FJX	1
11	72480	HOSE: .38 X 177 8FJX-8FJX	1
12	72479	HOSE: .38 X 164 8FJX-8FJX	1
13	52320*	CYLINDER STOP A-KIT (NOT SHOWN)	2
14	54004*	CYLINDER STOP 1-1/2 (NOT SHOWN)	6

\* USE AS REQUIRED TO LEVEL HARVESTER

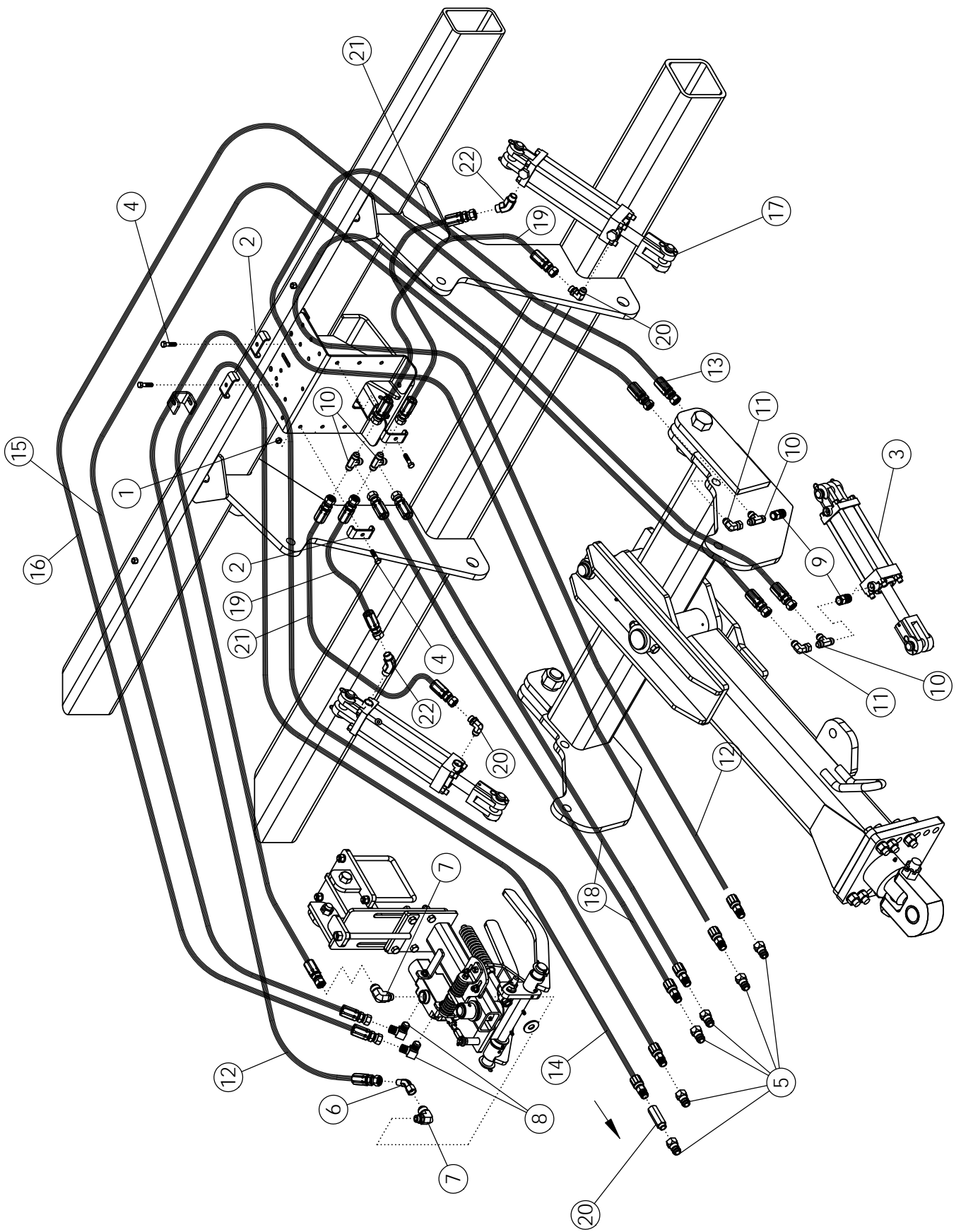




## STEERABLE STRUT HYDRAULICS

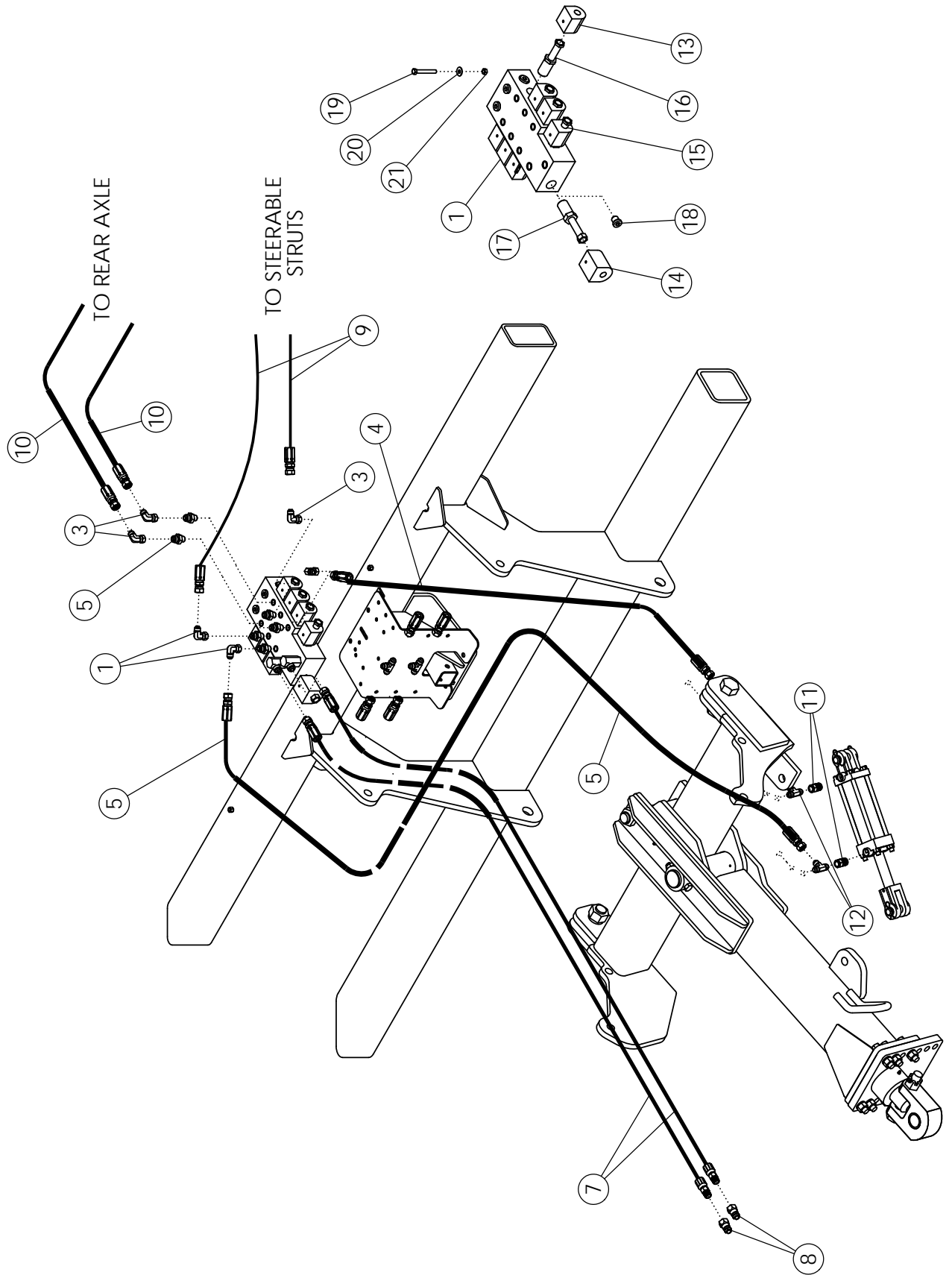
ITEM	PART NO.	DESCRIPTION	QTY
1	72950	CYLINDER-HYDRAULIC 4 X 10-3000-90°	2
	59244	SEAL KIT FOR 72950	
2	58560	FTG-ELBOW: 8MB-8MJ-90	8
3	50714	CLAMP .50 ZP	39
4	1011600	BOLT-HEX: .38 X 1.00 NC GR5 ZP	25
5	1011586	WASHER-LOCK: .38 ZP	32
6	57667	FTG-TEE: 8MJ-8MJ-8MJ	4
7	36290	PIONEER TIP 8010-15P (#8 ORB)	4
8	300047	HOSE: .38 X 348 8MB-8FJX	2
9	72476	HOSE: .38 X 25 8FJX-8FJX	1
10	72909	HOSE: .38 X 38 8FJX-8FJX	1
11	72480	HOSE: .38 X 177 8FJX-8FJX	1
12	72479	HOSE: .38 X 164 8FJX-8FJX	1
13	73077	CYLINDER-HYDRAULIC 3 X 6	2
	59243	SEAL KIT FOR 73077	
14	66589	HOSE: .38 X 290 8FJX-8MB	2
15	63008	HOSE: .38 X 53 8FJX-8FJX	1
16	68247	HOSE: .38 X 60 8FJX-8FJX	1
17	64104	HOSE: .38 X 198 8FJX-8FJX	2
18	1011603	BOLT-HEX: .38 X 1.75 NC GR5 ZP	7
19	52320*	CYLINDER STOP A-KIT (NOT SHOWN)	2
20	54004*	CYLINDER STOP 1-1/2 (NOT SHOWN)	10

\* USE AS REQUIRED TO LEVEL HARVESTER



# ROW FINDER AND HITCH HYDRAULICS

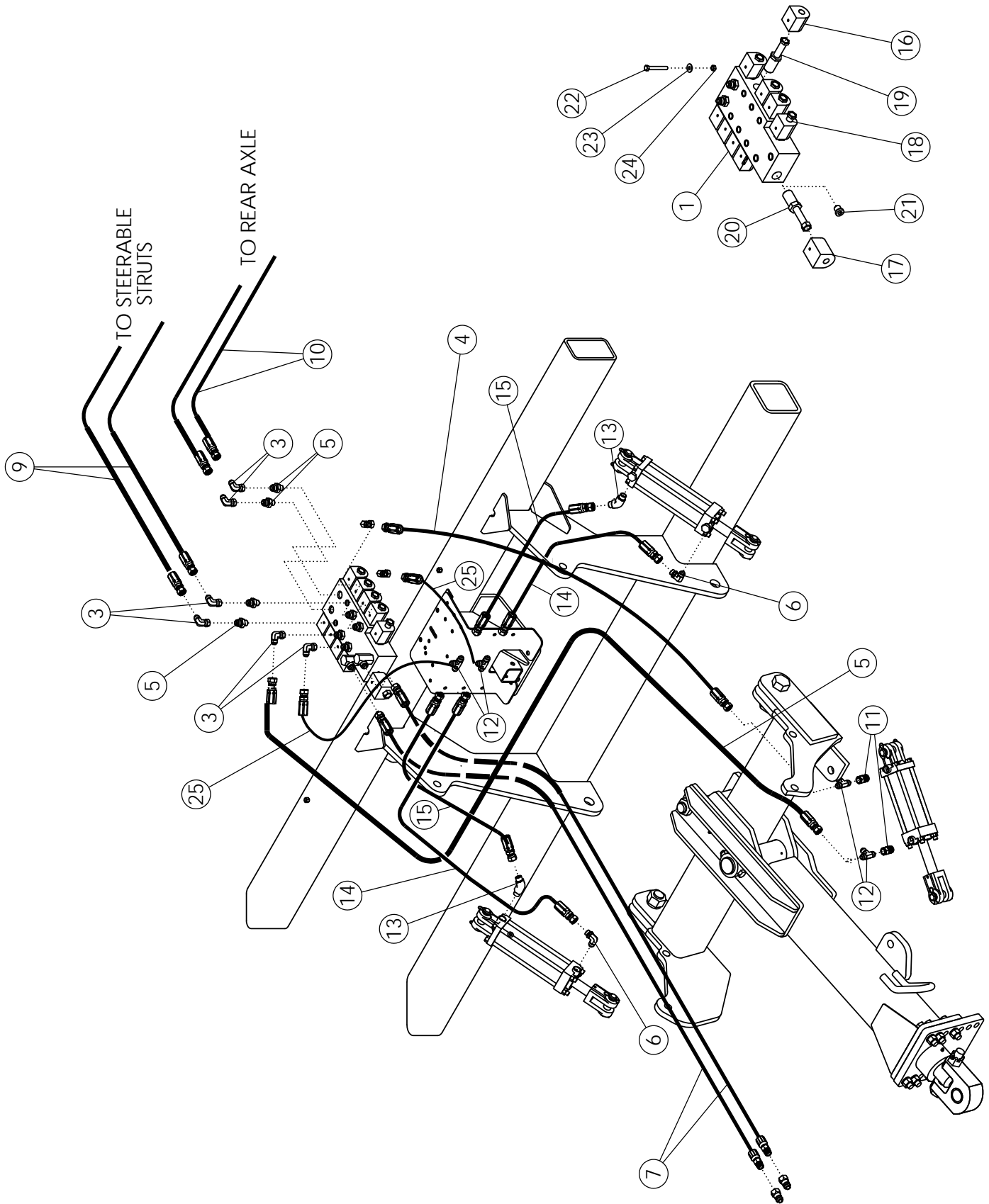
ITEM	PART NO.	DESCRIPTION	QTY
1	1016999	NUT-TOPLOCK: .38 NC GR5 ZP	4
2	50714	CLAMP .50 ZP	4
3	58891	CYLINDER-HYDRAULIC 4 X 8" 3000	1
	59244	SEAL KIT FOR 58991	
4	1011602	BOLT-HEX: .38 X 1.50 NC GR5 ZP	4
5	36290	PIONEER TIP 8010-15P (#8 ORB)	6
6	57663	FTG-ELBOW: 8MJ-8FJX-45	1
7	73494	FTG-ELBOW: 12MB-8MJ-90	2
8	58560	FTG-ELBOW: 8MB-8MJ-90	4
9	56941	FTG-ADAPTER: 8MB-8FJX	2
10	57667	FTG-TEE: 8MJ-8MJ-8MJ	4
11	57668	FTG-ELBOW: 8MJ-8FJX 90	2
12	300037	HOSE: .50 X 153 8MB-8FJX	2
13	300038	HOSE: .50 X 150 8MB-8FJX	1
14	300106	HOSE: .50 X 163 8MB-8FJX	1
15	57672	HOSE: .50 X 098 8FJX-8FJX	1
16	57673	HOSE: .50 X 096 8FJX-8FJX	1
17	62082	CYLINDER-HYDRAULIC 4 X 10" 3000	2
	59244	SEAL KIT FOR 62082	
18	300055	HOSE: .50 X 100 8MB-8FJX	2
19	57676	HOSE: .50 X 031 8FJX-8FJX (6R/8R)	2
	1015221	HOSE: .50 X 040 8FJX-8FJX(12R)	
20	300070	CHECK VALVE 8MB-8FB FLOW F-->M (FC-08R)	1
21	57677	HOSE: .50 X 021 8FJX-8FJX (6R/8R)	2
	1018115	HOSE: .50 X 030 8FJX-8FJX (12R)	
22	58515	FTG-ELBOW: 8MB-8MJ-45	2



### 3 BANK VALVE W/TOGGLE

ITEM	PART NO.	DESCRIPTION	QTY
1	69425	VALVE-3BANK W/TOGGLE CONTROL BOX	1
2	62024	FTG-ADAPTER: 6MB-8MJ	6
3	57668	FTG-ELBOW: 8MJ-8FJX-90	6
4	57012	HOSE: .50 X 058 8FJX-8FJX	1
5	64087	HOSE: .50 X 070 8FJX-8FJX	1
6	58560	FTG-ELBOW: 8MB-8MJ-90	2
7	30055	HOSE: .50 X 100 8MB-8FJX	2
8	36290	PIONEER TIP 8010-15P (#8 ORB)	2
9	64102	HOSE: .38 X 180 8FJX-8FJX	2
10	69737	HOSE: .38 X 240 8FJX-8FJX (NON ADC)	2
	67520	FTG-CAP 8FJ (ADC ONLY)	
11	56941	FTG-ADAPTER: 8MB-8FJX	2
12	57667	FTG-TEE: 8MJ-8MJ-8MJ	2
13	301280*	COIL-SMALL	6
14	301279*	COIL-LARGE	2
15	62866	CARTRIDGE	1
16	62867	CARTRIDGE	6
17	62868*	CARTRIDGE	1
18	63227*	PLUG-CAVITY	1
19	1019828	BOLT-HEX: .38 X 2.75 NC GR5 ZP	2
20	1011828	WASHER-FLAT: .38 ZP	8
21	1016999	NUT-TOPLOCK: .38 NC GR5 ZP	2

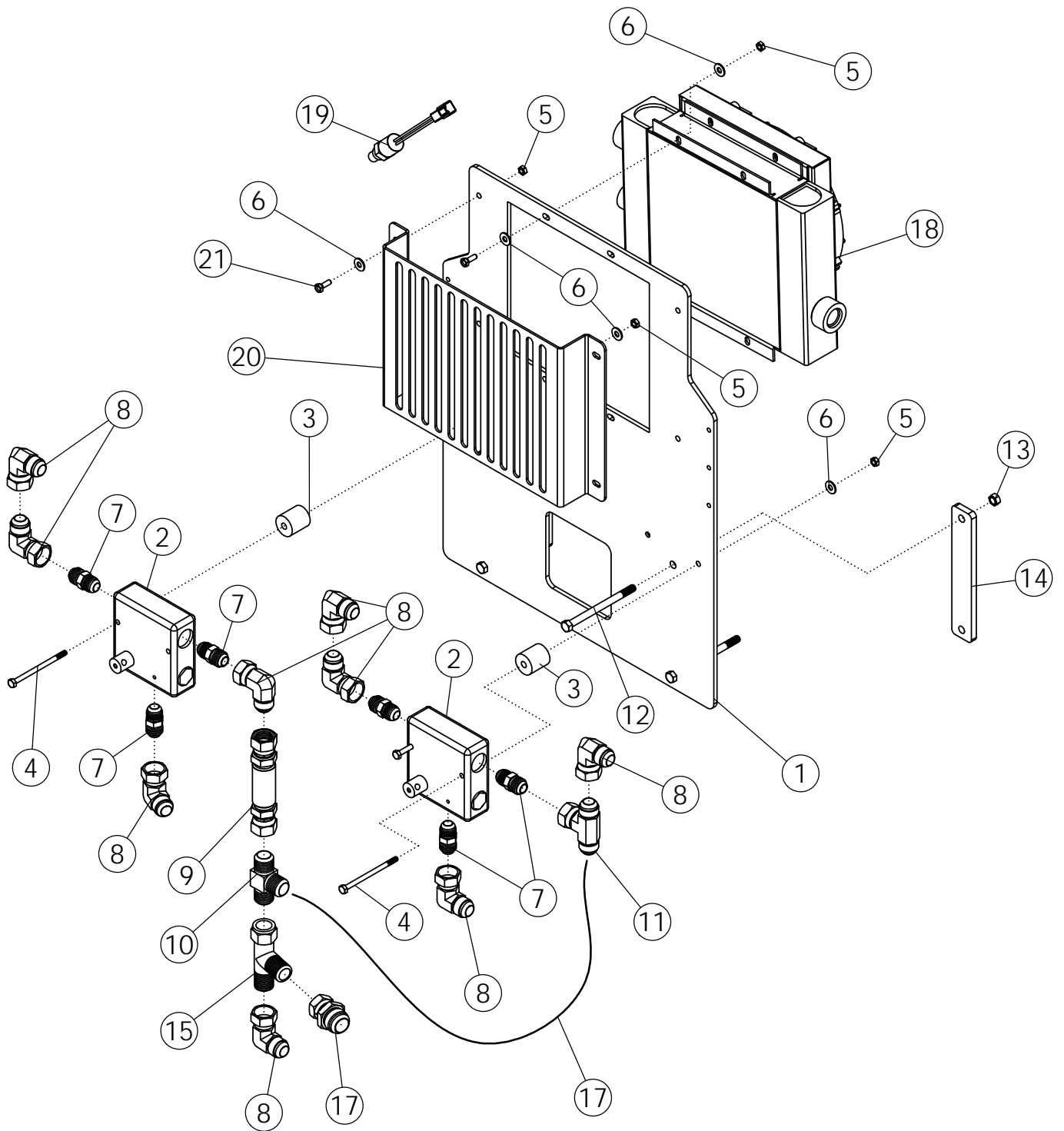
\*IMPORTANT: VALVE (69425) IS SHIPPED OPEN CENTER. TO CONVERT TO CLOSED CENTER, REMOVE COIL AND CARTRIDGE (301279 & 62868) FROM THE END OF THE VALVE BODY AND REPLACE WIT CAVITY PLUG (63227) WHICH IS SUPPLIED WITH THE VALVE.



## 4 BANK VALVE W/TOGGLE

ITEM	PART NO.	DESCRIPTION	QTY
1	69426	VALVE-4 BANK W/TOGGLE CONTROL BOX	1
2	62024	FTG-ADAPTER: 6MB-8MJ	8
3	57668	FTG-ELBOW: 8MJ-8FJX-90	8
4	57012	HOSE: .50 X 058 8FJX-8FJX	1
5	64087	HOSE: .50 X 070 8FJX-8FJX	1
6	58560	FTG-ELBOW: 8MB-8MJ-90	2
7	30055	HOSE: .50 X 100 8MB-8FJX	2
8	36290	PIONEER TIP 8010-15P (#8 ORB)	2
9	64102	HOSE: .38 X 180 8FJX-8FJX	2
10	69737	HOSE: .38 X 240 8FJX-8FJX	2
11	56941	FTG-ADAPTER: 8MB-8FJX	2
12	57667	FTG-TEE: 8MJ-8MJ-8MJ	4
13	58515	FTG-ELBOW: 8MB-8MB-90	2
14	1015221	HOSE: .50 040 8FJX-8FJX	2
15	1018115	HOSE: .50 X 030 8FJX-8FJX	2
16	301280*	COIL-SMALL	8
17	301279*	COIL-LARGE	2
18	62866	CARTRIDGE	1
19	62867	CARTRIDGE	6
20	62868*	CARTRIDGE	1
21	63227*	PLUG-CAVITY	1
22	1019828	BOLT-HEX: .38 X 2.75 NC GR5 ZP	2
23	1011828	WASHER-FLAT: .38 ZP	8
24	1016999	NUT-TOPLOCK: .38 NC GR5 ZP	2
25	57677	HOSE: .38 X 021 8FJX-8FJX	2

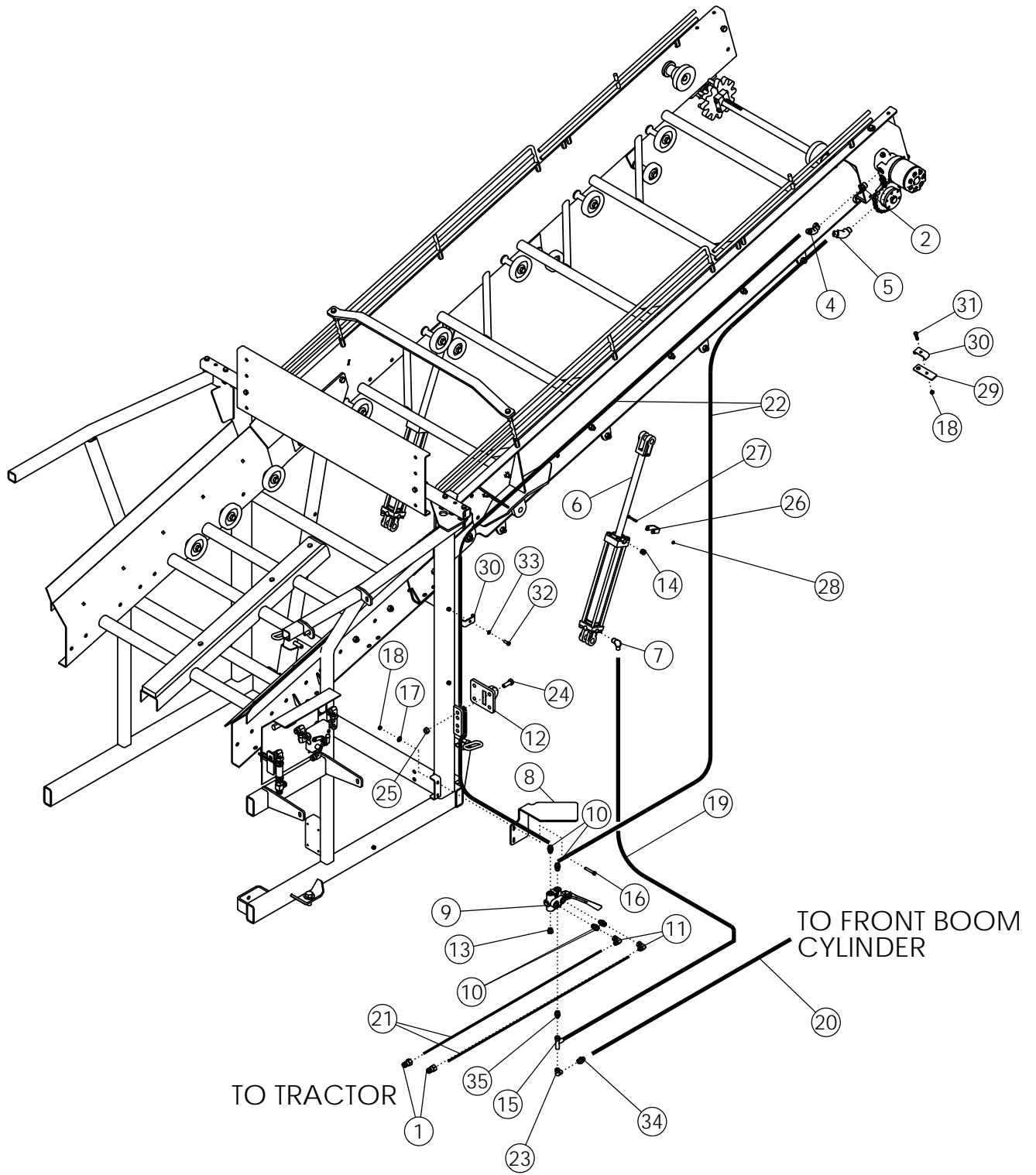
\*IMPORTANT: VALVE (69425) IS SHIPPED OPEN CENTER. TO CONVERT TO CLOSED CENTER, REMOVE COIL AND CARTRIDGE (301279 & 62868) FROM THE END OF THE VALVE BODY AND REPLACE WIT CAVITY PLUG (63227) WHICH IS SUPPLIED WITH THE VALVE.





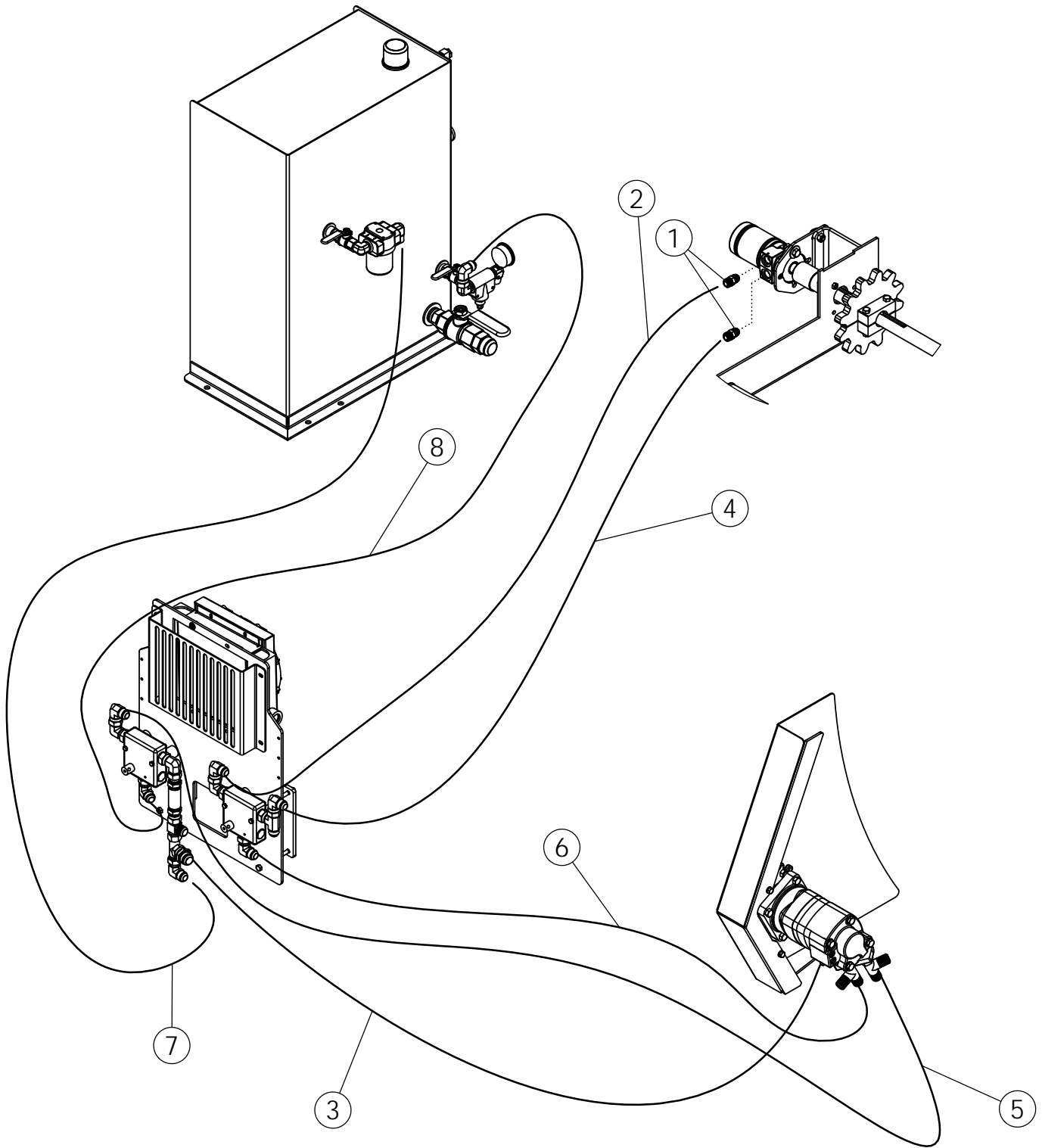
# VALVE GROUP ASSY

ITEM	PART NO.	DESCRIPTION	QTY
1	301187	BRACKET-FLOW CONTROL 12RW	1
2	58985	VALVE-FLOW CONTROL- 3/4" FP	2
	64414	SEAL KIT FOR 58985	
3	59463	SPACER	4
4	1030776	BOLT-HEX: .25 X 6.00 NC GR5	4
5	1030946	NUT-TOPLOCK: .25 NC GR5 ZP	12
6	1020416	WASHER-FLAT: .25 ZP	16
7	59042	FTG-ADAPTER: 12MP-12MJ	6
8	59041	FTG-ELBOW 12MJ-12FJX-90	9
9	63471	ASSY-TUBE LINE .75 X 5.25 0-0	1
10	58986	FTG-TEE: 12MJ-12MJ-12MJ	1
11	59053	FTG-TEE 12MJ-12MJ-12FJX	1
12	1021757	BOLT-HEX: .38 X 5.00 NC GR5 ZP	4
13	1016999	NUT-TOPLOCK: .38 NC GR5 ZP	4
14	73601	PLATE-BOLTING 7INCH TUBE	2
15	59888	FTG-TEE: 12MJ-12FJX-12MJ	1
16	300246	FTG-ADAPTER: 12FJ-6MJ	1
17	63473	HOSE: .75 X 019 12FJX-12FJX	1
18	301255	COOLER-AIR/HYD OIL	1
19	301256	SWITCH-TEMP OIL COOLER	1
20	301265	PLATE-SHIELD COOLER	1
21	1011595	BOLT-HEX: .25 X .75 NC GR5 ZP	8
22	301262	HARNESS-COOLER 12R WHEEL (NOT SHOWN)	1



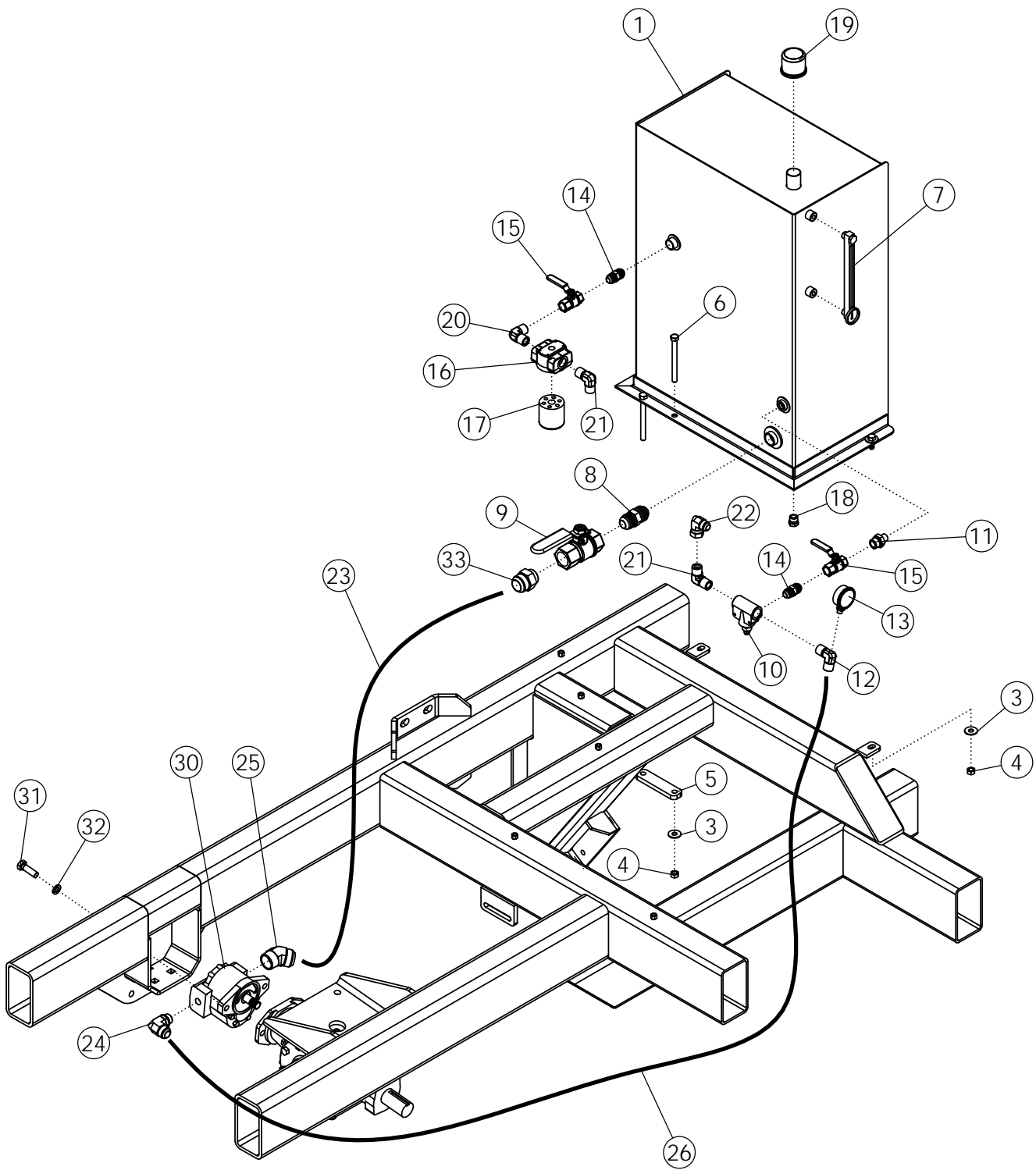
# TANK HYDRAULICS

ITEM	PART NO.	DESCRIPTION	QTY
1	36290	PIONEER TIP 8010-15P (#8 ORB)	2
2	300069	FTG-ADAPTER: 8FB-10MB	1
3	300070	VALVE-CHECK: 8MB-8FB FLOW F-->M (FC-08R)	1
4	58515	FTG-ELBOW: 8MB-8MJ-45	1
5	56229	FTG-ELBOW: 10MB-8MJ-45	1
6	58889	CYLINDER-HYD 2.5 X 16	2
	59242	SEAL KIT FOR 58889	
7	58557	FTG-ELBOW: 8MB-6MJ 90	2
8	72469	GUARD-SELECTOR VALVE PAINTED	1
9	58470	VALVE-SELECTOR PAINTED	1
10	56226	FTG-ADAPTER: 8MB-8MJ	4
11	57668	FTG-ELBOW: 8MJ-8FJX 90	2
12	72754	WLDMT-CYLINDER LUG	2
13	56190	FTG-PLUG: 8MB	1
14	58547	FTG-PLUG: 8MB BREATHER	2
15	56231	FTG-TEE: 6MJ-6FJX-6MJ	1
16	59390	BOLT-HEX: .38 X 2.25 NC GR5 ZP	2
17	1011828	WASHER-FLAT: .38 ZP	2
18	1016999	NUT-TOPLOCK: .38 NC GR5 ZP	6
19	56234	HOSE: .38 X 28 6FJX-6FJX	1
20	56233	HOSE: .38 X 086 6FJX-6FJX	1
21	67380	HOSE: .50 X 370 8FJX-8MB	2
22	58378	HOSE: .50 X 182 8FJX-8FJX	2
23	57897	FTG-ELBOW: 6MJ-6FJX-90	1
24	1013918	BOLT-HEX: .63 X 1.75 NC GR5 ZP	8
25	1016595	NUT-TOPLOCK: .63 NC GR5 ZP	8
26	72945	WLDMT-12R BOOM CYLINDER STOP	2
27	1016211	BOLT-HEX: .25 X 2.00 NC GR5 ZP	2
28	1030946	NUT-TOPLOCK: .25 NC GR5 ZP	2
29	54825	BRACKET-HOSE ZP	3
30	50714	CLAMP .50 ZP	17
31	1011602	BOLT-HEX: .38 X 1.50 NC GR5 ZP	4
32	1011600	BOLT-HEX: .38 X 1.00 NC GR5 ZP	13
33	1011586	WASHER-LOCK: .38 ZP	13
34	300072	FTG-RESTRICTOR (6MJ-6FJ R 1/16)	1
35	66624	FTG-ADAPTER: 6MJ-8MB	1



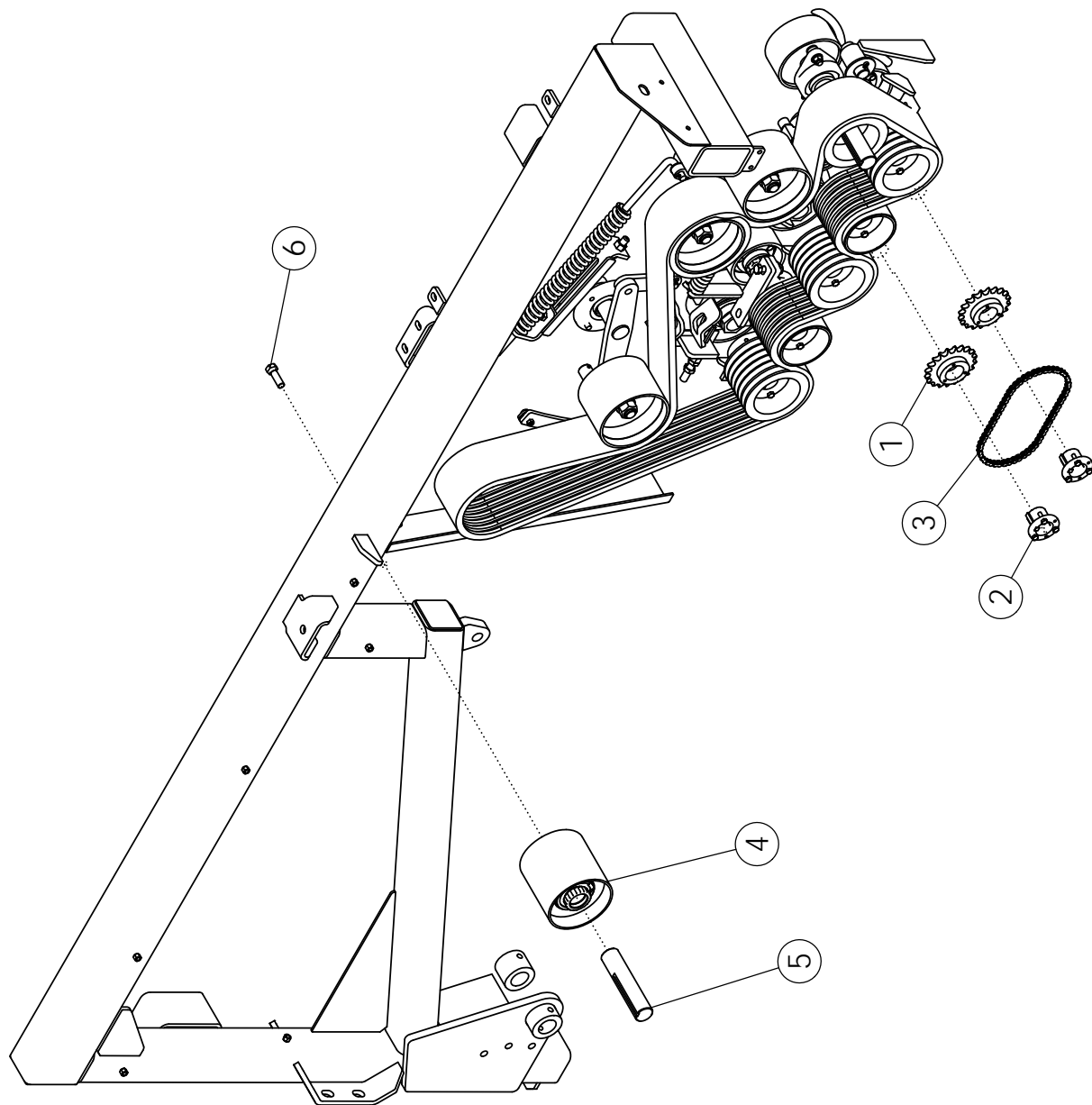
# WHEEL HYDRAULICS

ITEM	PART NO.	DESCRIPTION	QTY
1	59043	FTG-ADAPTER: 10MB-12MJ	2
2	300175	HOSE: .75 X 253 12FJX-12FJX	1
3	300247	HOSE: .38 X 420 6FJX-6FJX	1
4	300176	HOSE: .75 X 243 12FJX-12FJX	1
5	300171	HOSE: .75 X 420 12FJX-12FJX	1
6	300174	HOSE: .75 X 402 12FJX-12FJX	1
7	300173	HOSE: .75 X 086 12FJX-12FJX	1
8	300172	HOSE: .75 X 103 12FJX-12FJX	1



# HYDRAULIC TANK

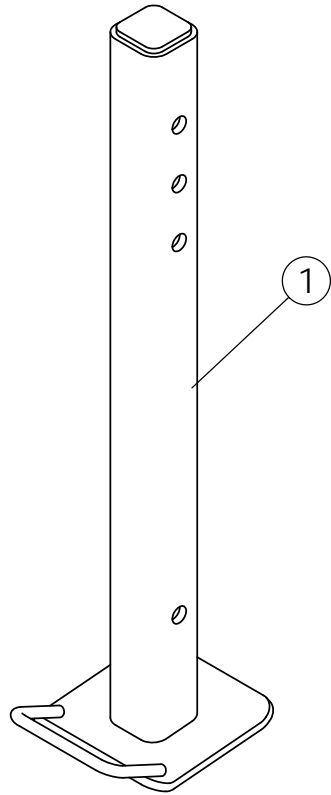
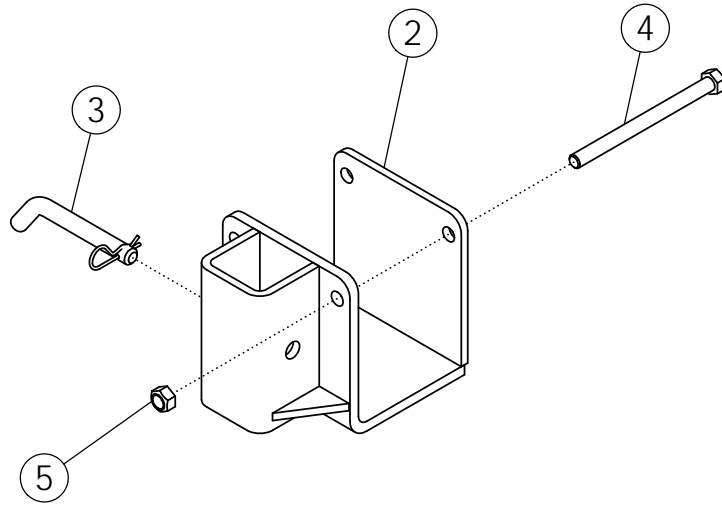
ITEM	PART NO.	DESCRIPTION	QTY
1	58079	HYDRAULIC TANK-PAINTED	1
2	1011606	BOLT-HEX: .50 X 1.25 NC GR5 ZP	2
3	1014443	WASHER-FLAT: .50 ZP	6
4	1027461	NUT-TOPLOCK: .50 NC GR5 ZP	4
5	58204	BAR - BOLTING	1
6	1011612	BOLT-HEX: .50 X 3.50 GR5 ZP	2
7	58914	GAUGE-LEVEL & TEMP	1
8	58978	FTG-ADAPTER: 20MP-20MP	1
9	58979	VALVE-BALL: 20FP-20FP	1
10	64686	VALVE-RELIEF	1
11	58466	FTG-ADAPTER: 12MP-8MP	1
12	58983	FTG-ELBOW: 12MP-12MJ 90 W/.25" FP	1
13	62518	GAUGE-PRESSURE: 1/4"MP 3000 PSI	1
14	58196	FTG-ADAPTER: 12MP-12MP	2
15	59165	VALVE-BALL 3/4FP - 3/4FP	2
16	58690	FILTER HEAD	1
17	58691	FILTER-HYDRAULIC	1
18	55718	FTG-PLUG: 8MB	1
19	58197	CAP-FILLER	1
20	72590	FTG-ELBOW: 12MP-12MP-90	1
21	59044	FTG-ELBOW: 12MP-12MJ 90	2
22	59041	FTG-ELBOW: 12MJ-12FJX 90	1
23	300178	HOSE: 1.50 X 058 24FJX-24FJX(200PSI)	1
24	64061	FTG-ELBOW: 16MB-12MJ-90	1
25	300212	FTG-ELBOW: 20MB-20MJ-45	1
26	300177	HOSE: .75 X 074 12FJX-12FJX	1
27	62964	DECAL-WARNING	1
28	64428	DECAL-HYD TANK SPECS	1
29	64429	DECAL-WARNING BALL VALVE	1
30	301250	PUMP-HYDRAULIC 6.30 (3500 PSI)	1
	301257	SEAL KIT FOR 301250	
31	1011623	BOLT-HEX: .63 X 2.00 NC GR5 ZP	2
32	1011813	WASHER-LOCK: .63 ZP	2
33	300211	FTG-ADAPTER: 20MP-24MJ	1





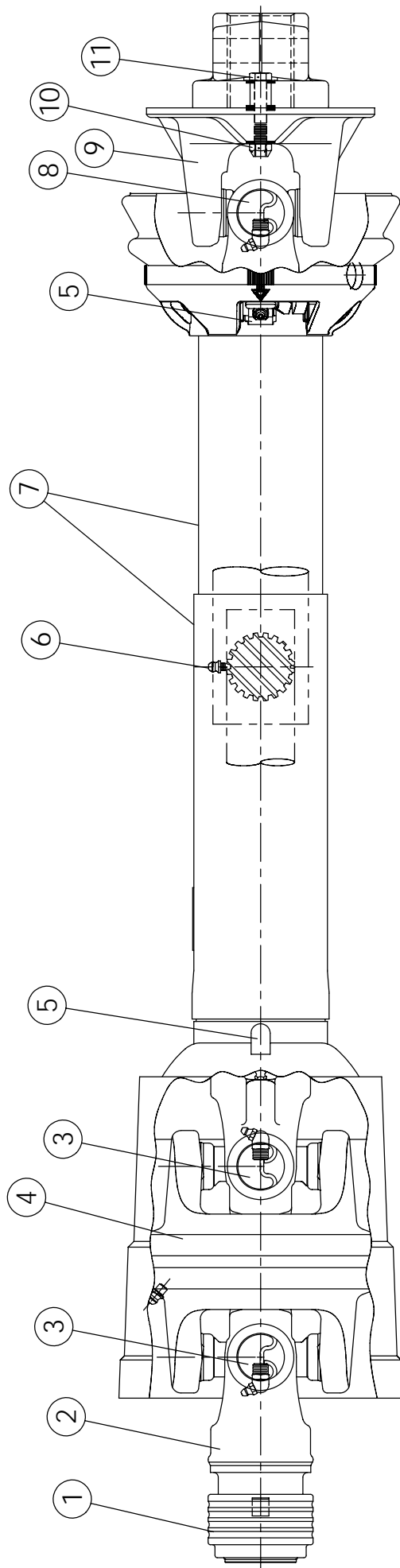
## REVERSE #4 CLEANING ROLL #62107 (OPTIONAL)

ITEM	PART NO.	DESCRIPTION	QTY
1	53649	SPROCKET H60-P20	2
2	53641	HUB P1 1.75 (WITH KEY)	2
3	62110	CHAIN-ROLLER 60H-1R-045	1
4	56406	ASSY-IDLER PULLEY 6R	1
5	62108	SHAFT-STUB REVERSE #4	1
6	1013918	BOLT-HEX: .63 X 1.75 NC GR5 ZP	1



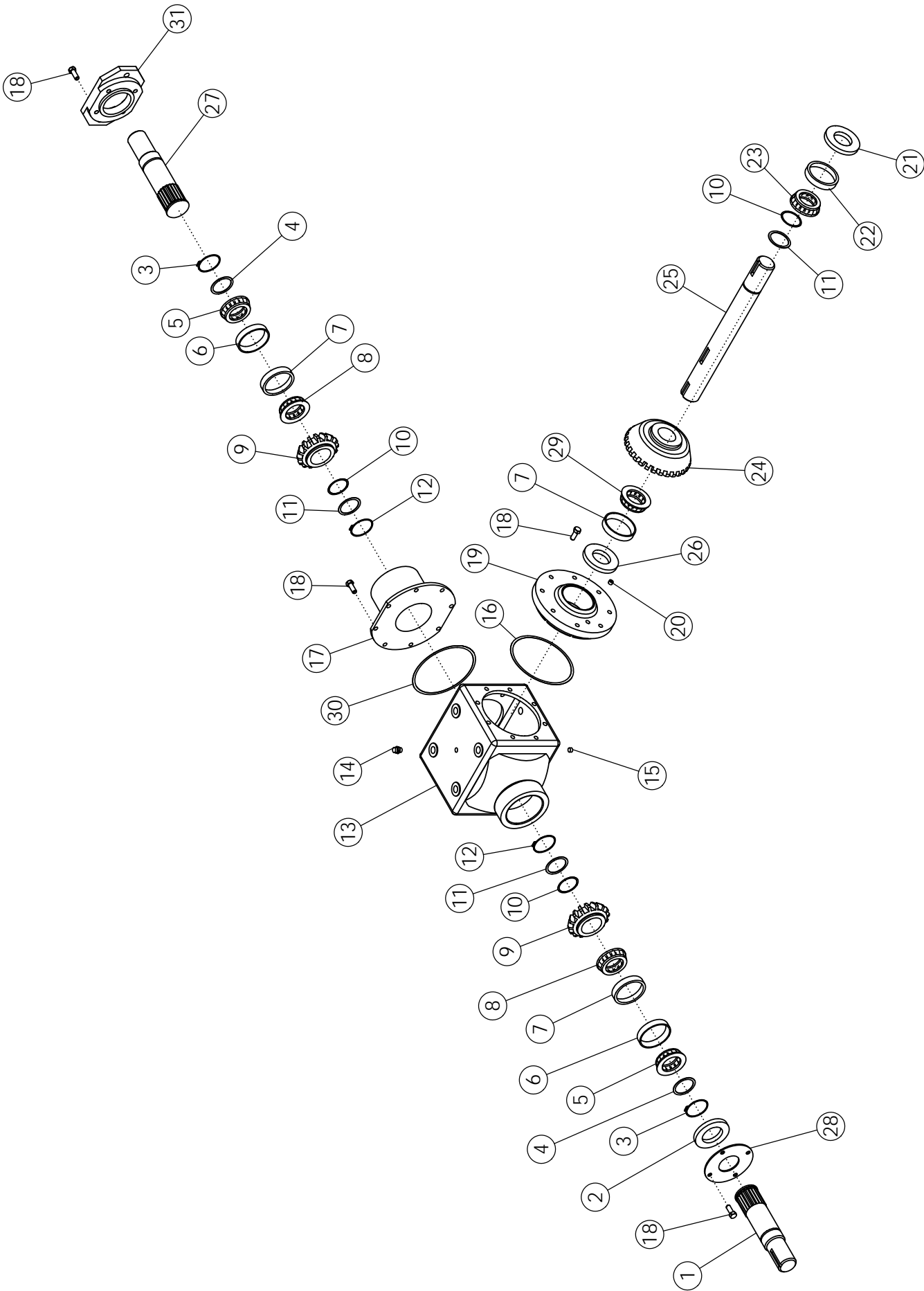
## HARVESTER STAND #63397 (OPTIONAL)

ITEM	PART NO.	DESCRIPTION	QTY
1	63382	WLDMT-STAND SUPPORT	1
2	63377	WLDMT-STAND MOUNT	1
3	63407	PIN-BENT	1
4	1018957	BOLT-HEX: .63 X 8.00 NC GR5 ZP	2
5	1016595	NUT-TOPLOCK: .63 NC GR5 ZP	2



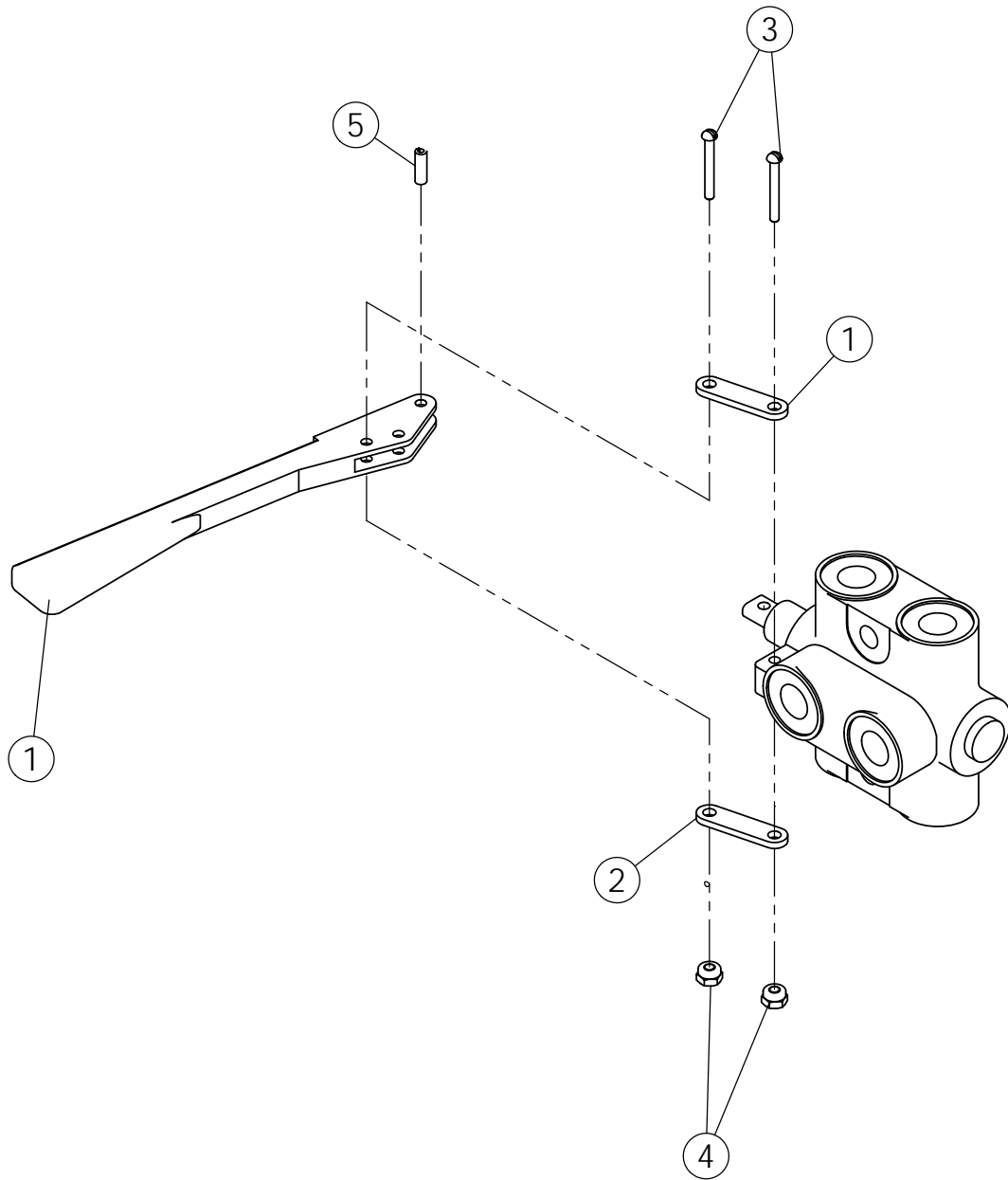
**PTO DRIVELINE #51481**  
**1.75" - 20 SPLINE**

<b>ITEM</b>	<b>PART NO.</b>	<b>DESCRIPTION</b>	<b>QTY</b>
1	62123	SAFETY SLIDE LOCK REPAIR KIT	1
2	54157	SAFETY SLIDE LOCK YOKE ASSEMBLY	1
3	54159	CAT 5 CROSS & BEARING KIT	2
4	64411	CV CENTER HOUSING ASSEMBLY	1
5	64398	NYLON REPAIR KIT	2
6	54161	ZERK-GREASE STRAIGHT	4
7	64412	FULL GUARD SET W/NYLON BEARINGS	1
8	54172	35R CROSS & BEARING KIT	1
9	57286	BALL SHEAR ASSEMBLY	1
10	1030700	NUT-TOPLOCK: .31 NC GR5 ZP	1
11	1011285	BOLT-HEX: .31 X 2.00 NC GR5 ZP	1



## GEARBOX (1.82:1) #300142 - 4 WAY

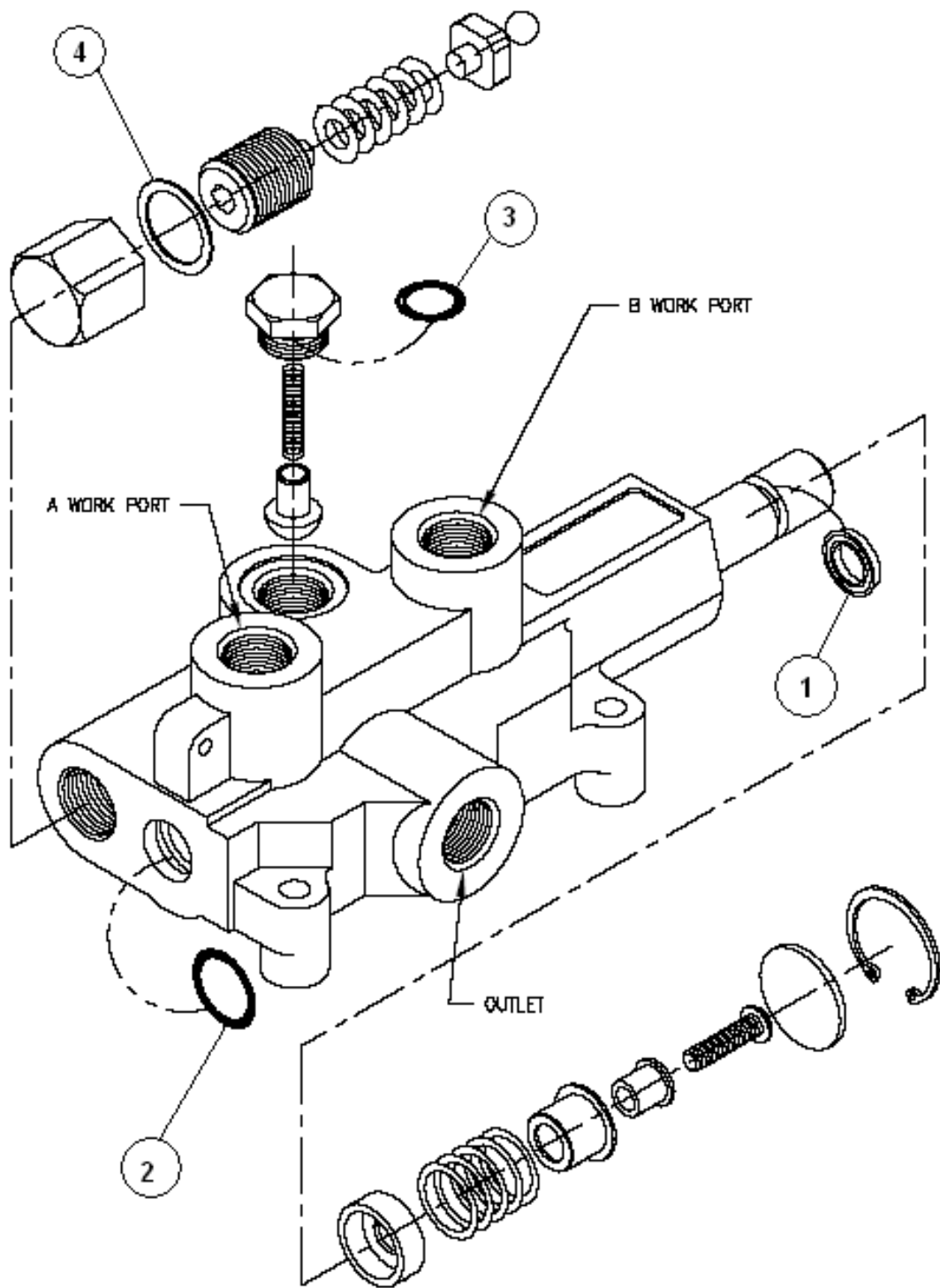
ITEM	PART NO.	DESCRIPTION	QTY
1	69203	QUILL SHAFT	1
2	62744	SEAL: Ø1.75 X .313	1
3	69218	SNAP RING	2
4	69219	WASHER	2
5	69220	BEARING CONE	2
6	69221	BEARING CUP	2
7	69222	BEARING CUP	3
8	69223	BEARING CONE	2
9	69224	GEAR - 17T	2
10	69225	SHIM	3
11	68598	WASHER	3
12	62724	SNAP RING	2
13	69202	CASE-1000 SERIES	1
14	64408	VENT PLUG: .50 NPT (SQ. HD.)	1
15	62735	PLUG: .50 NPT	1
16	62736	SHIM-COVER	1
17	301182	QUILL HOUSING	1
18	1011600	BOLT-HEX: .38 X 1.00 NC GR5 ZP	24
19	69234	COVER	1
20	69227	PLUG: .25 NPT	1
21	62722	SEAL: Ø2.00 X 3.263	1
22	62727	BEARING CUP	1
23	62728	BEARING CONE	1
24	69228	GEAR - 31T	1
25	69229	THRU SHAFT	1
26	69230	SEAL-OIL	1
27	301183	QUILL SHAFT	1
28	69217	COVER	1
29	69232	BEARING CONE	1
30	69233	GASKET	1
31	301184	FLANGE SAE 'C'- 2	1





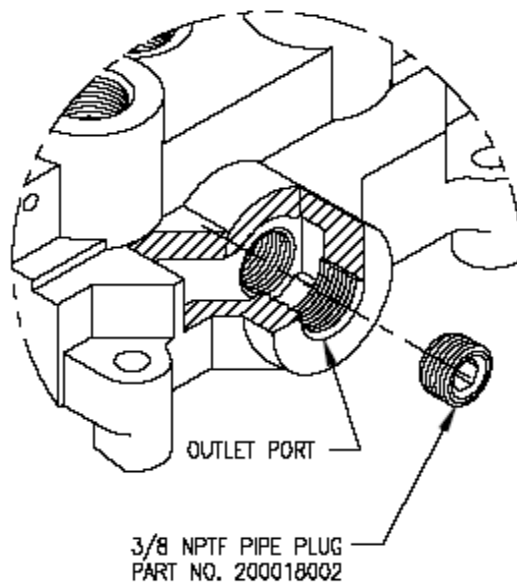
# SELECTOR VALVE #58470

ITEM	PART NO.	DESCRIPTION	QTY
	64432	QUAD RING SEAL KIT	2
	58470-1	HANDLE KIT	1
1	68060	PLATE-TAB SELECTOR VALVE ZP	2
2	1011303	SCREW-MACH RND SLT: #10-24 X 1.25	2
3	65712	NUT-NYLOCK: 10-24 GR2 SS	2
4		HANDLE	1
5		SPRING PIN	1



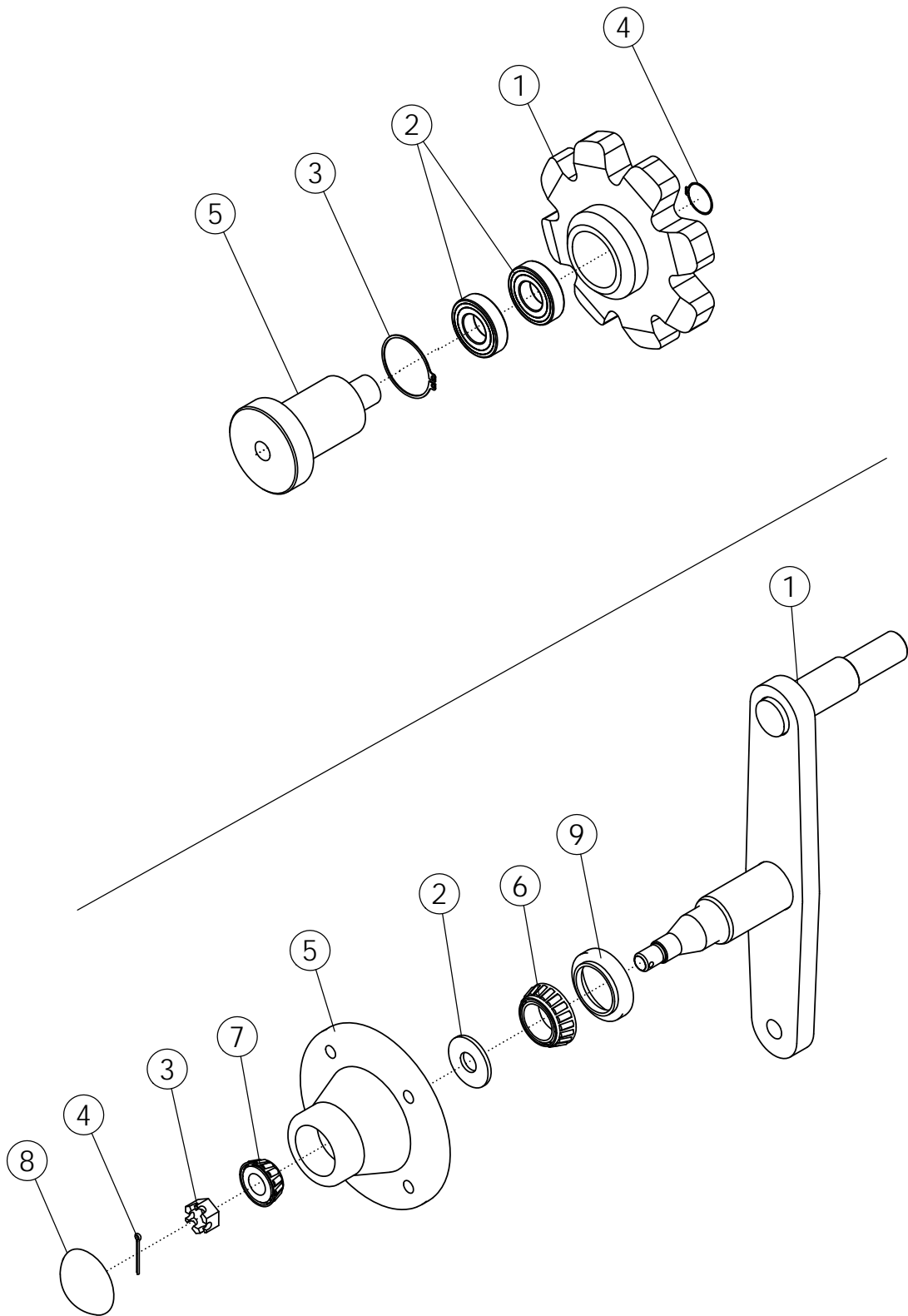
# ROW FINDER VALVE #301150

ITEM	PART NO.	DESCRIPTION	QTY
	62757	SEAL KIT	
1		U-CUP	1
2		O-RING	1
3		O-RING	1
4		ALUMINUM WASHER	1



## OPEN CENTER TO CLOSED CENTER CONVERSION

THIS FEATURE ALLOWS AN OTHERWISE OPEN CENTER VALVE TO BE CONVERTED TO CLOSED CENTER OPERATION. AS SHOWN ABOVE, A 3/8 NPTF PIPE PLUG IS INSTALLED IN THE BOTTOM OF THE OUTLET PORT TO BLOCK OPEN CENTER PASSAGE. A PIPE THREAD SEALANT SHOULD BE USED. THIS FEATURE IS STANDARD ON ALL VALVES WITH 3/4 NPTF INLET AND OUTLET PORTS. THE PIPE PLUG IS INCLUDED WITH THESE MODELS. DISCARD THE PIPE PLUG IF THE VALVE IS USED ON AN OPEN CENTER APPLICATION.



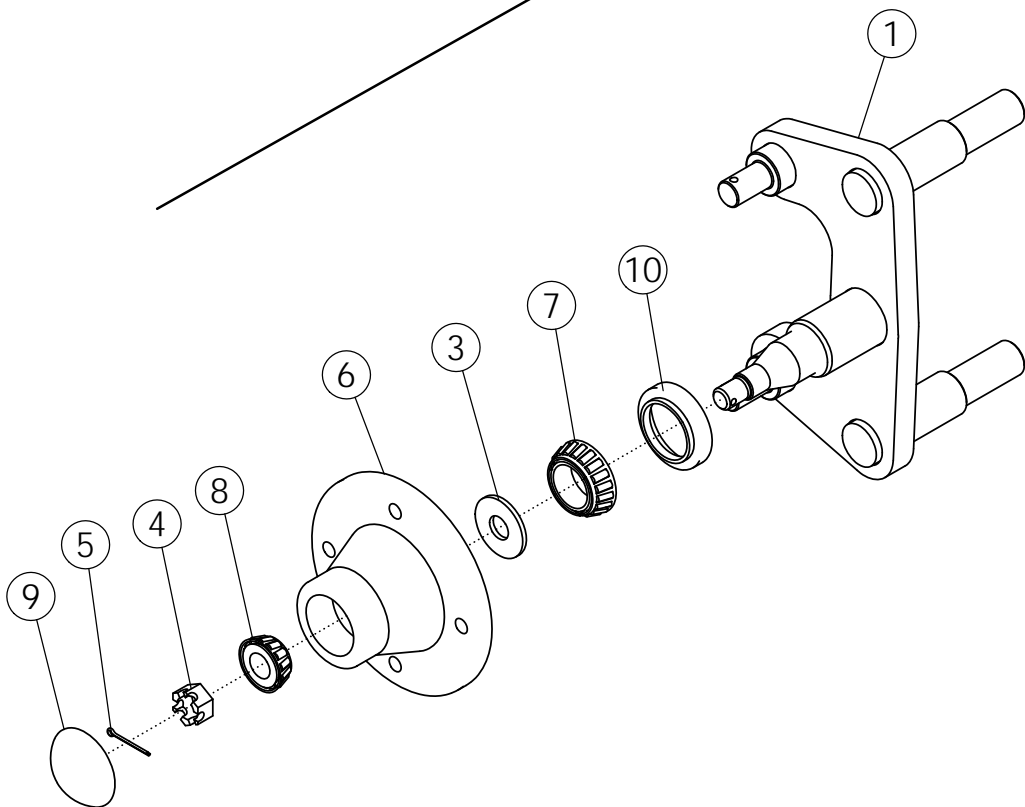
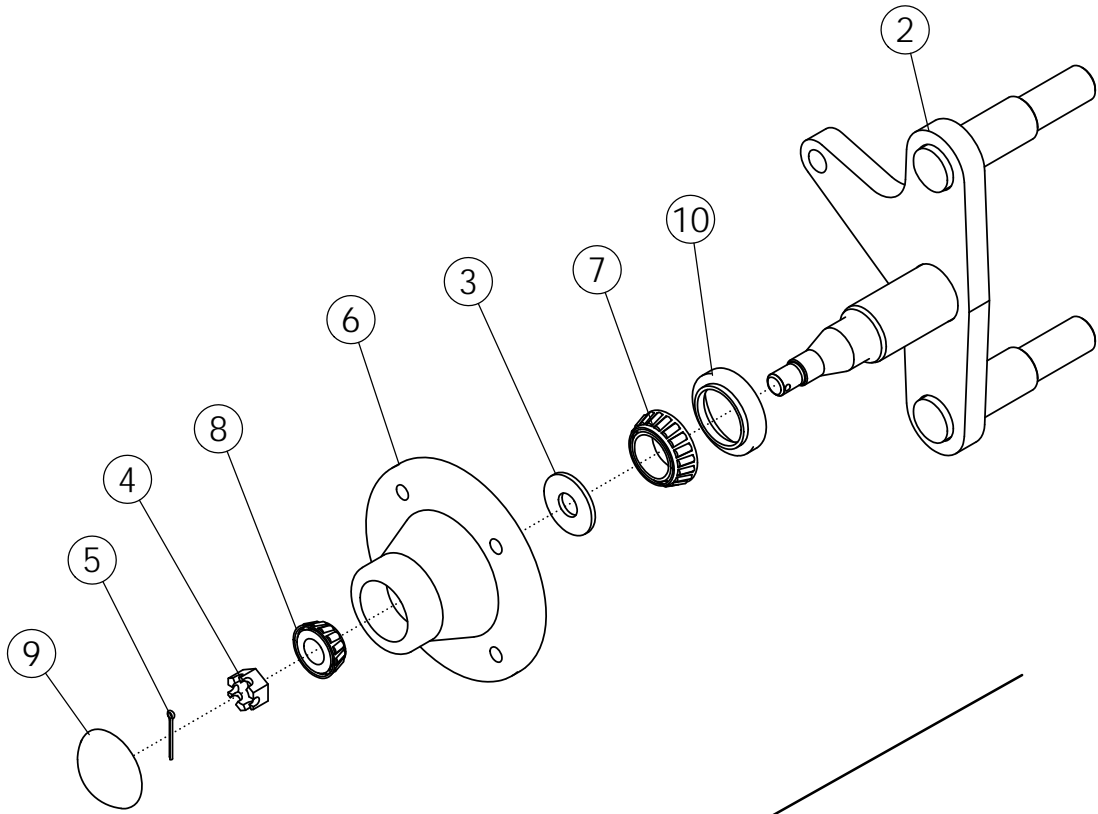
## SPROCKET #54824

ITEM	PART NO.	DESCRIPTION	QTY
1	56893	SPROCKET 56MM 8T	1
2	54108	BEARING 2"	2
3	54151	SNAP RING SR11	1
4	54154	SNAP RING SR3	1
5	56892	STUB SHAFT	1

## BELT TIGHTENER #72749

ITEM	PART NO.	DESCRIPTION	QTY
1	72748	WLDMT-REAR IDLER	1
2	1013623	BUSHING-MACH .63 NP	1
3	1013625	NUT-SLOTTED .63 NF GR5 ZP	1
4	1013626	PIN-COTTER: .16 X 1.25 ZP	1
5	1023120*	HUB	1
6	1012356*	CONE BEARING	1
7	1013620*	CONE BEARING	1
8	1013622*	HUB CAP	1
9	1029527*	SEAL	1
10	1023120	ASSY HUB	1

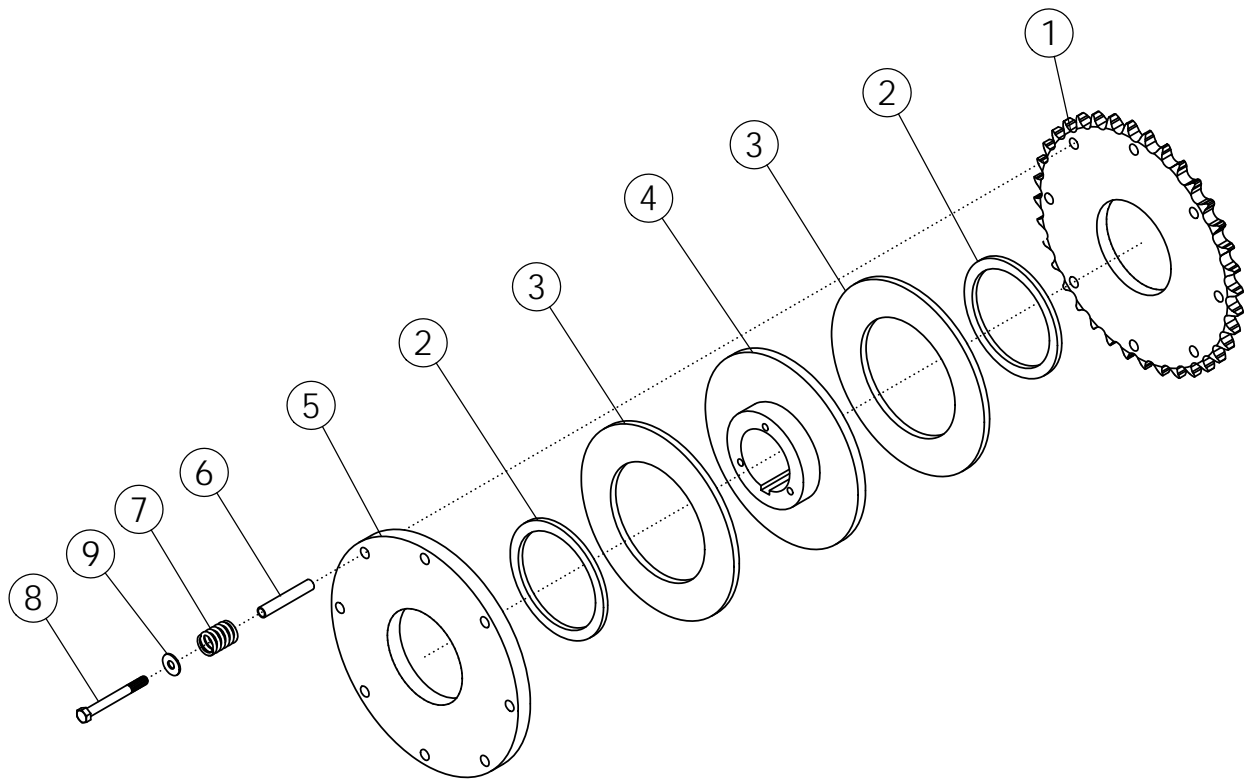
\* Items are included in item 11



## BELT TIGHTENER #72058 & 72753

ITEM	PART NO.	DESCRIPTION	QTY
1	72059	WLDMT-SPINDLE	1
2	72752	WLDMT-SPINDLE	1
3	1013623	BUSHING-MACH .63 NP	1
4	1013625	NUT-SLOTTED .63 NF GR5 ZP	1
5	1013626	PIN-COTTER: .16 X 1.25 ZP	1
6	1023120*	HUB	1
7	1012356*	CONE BEARING	1
8	1013620*	CONE BEARING	1
9	1013622*	HUB CAP	1
10	1029527*	SEAL	1
11	1023120	ASSY HUB	1

\* Items are included in item 11





## SLIP CLUTCH/SPOCKET #72030

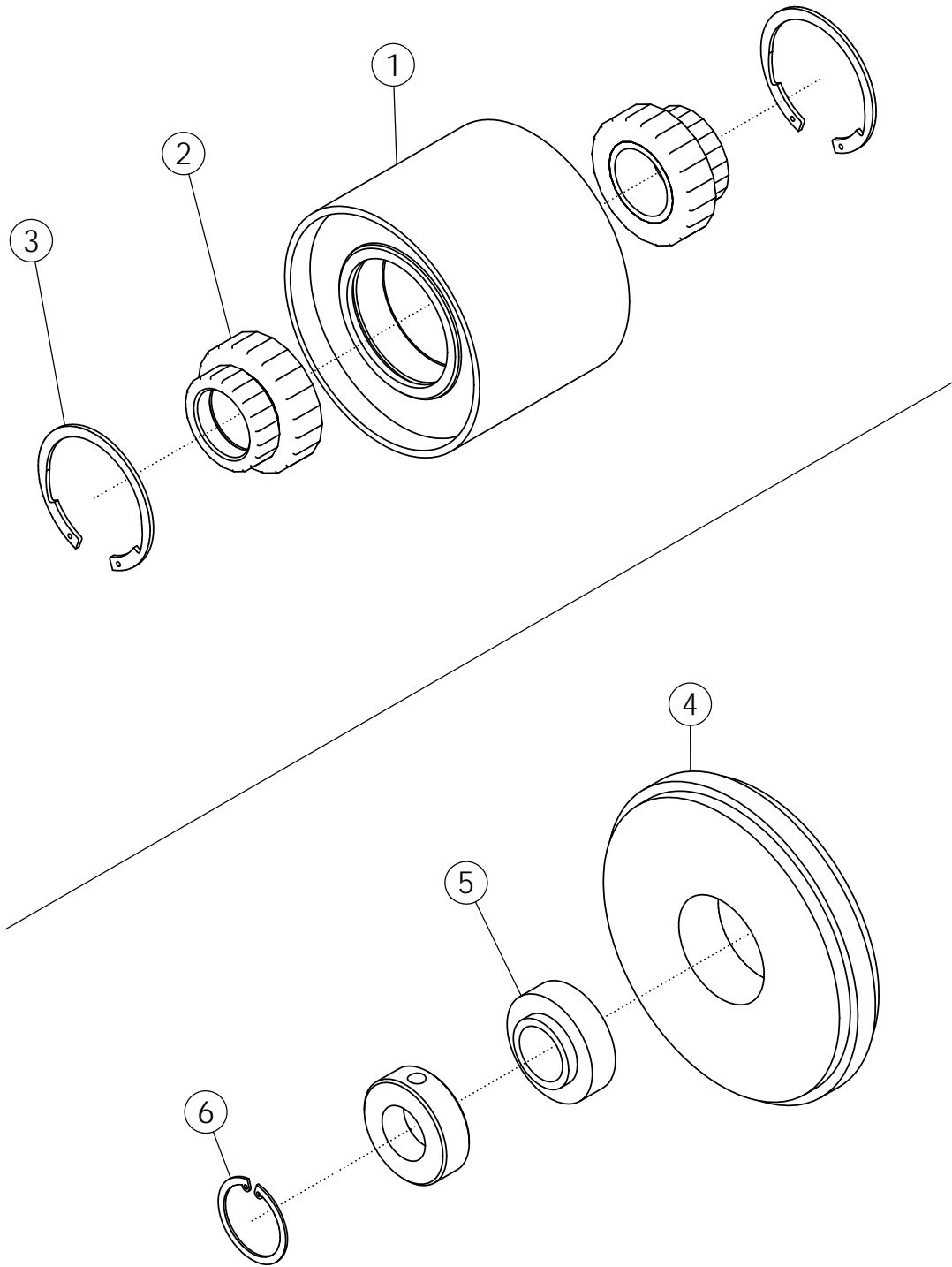
ITEM	PART NO.	DESCRIPTION	QTY
1	72986	SPROCKET	1
2	58208	BUSHING-BRONZE	2
3	58216	DISC-FIBER	2
4	58210	HUB-CLUTCH	1
5	58212	PLATE-SLIP CLUTCH	1
6	58565	TUBE-SLIP CLUTCH (PTG)	6
7	58174	SPRING-SLIP CLUTCH	6
8	1013239	BOLT-HEX: .38 X 3.00 NC GR5 ZP	6
9	1011828	WASHER-FLAT: .38 ZP	6

## SLIP CLUTCH/SPOCKET #58335

ITEM	PART NO.	DESCRIPTION	QTY
1	58566	SPROCKET	1
2	58208	BUSHING-BRONZE	2
3	58216	DISC-FIBER	2
4	58210	HUB-CLUTCH	1
5	58212	PLATE-SLIP CLUTCH	1
6	58565	TUBE-SLIP CLUTCH (PTG)	6
7	58174	SPRING-SLIP CLUTCH	6
8	1013239	BOLT-HEX: .38 X 3.00 NC GR5 ZP	6
9	1011828	WASHER-FLAT: .38 ZP	6

## SLIP CLUTCH/SPOCKET #57993

ITEM	PART NO.	DESCRIPTION	QTY
1	58177	SPROCKET	1
2	58207	BUSHING-BRONZE	2
3	58215	DISC-FIBER	2
4	58209	HUB-CLUTCH	1
5	58211	PLATE-SLIP CLUTCH	1
6	58213	TUBE-SLIP CLUTCH (2.870")	8
7	58174	SPRING-SLIP CLUTCH	8
8	58176	BOLT-HEX: .38 X 3.50 NC GR5 ZP	8
9	1011828	WASHER-FLAT: .38 ZP	8

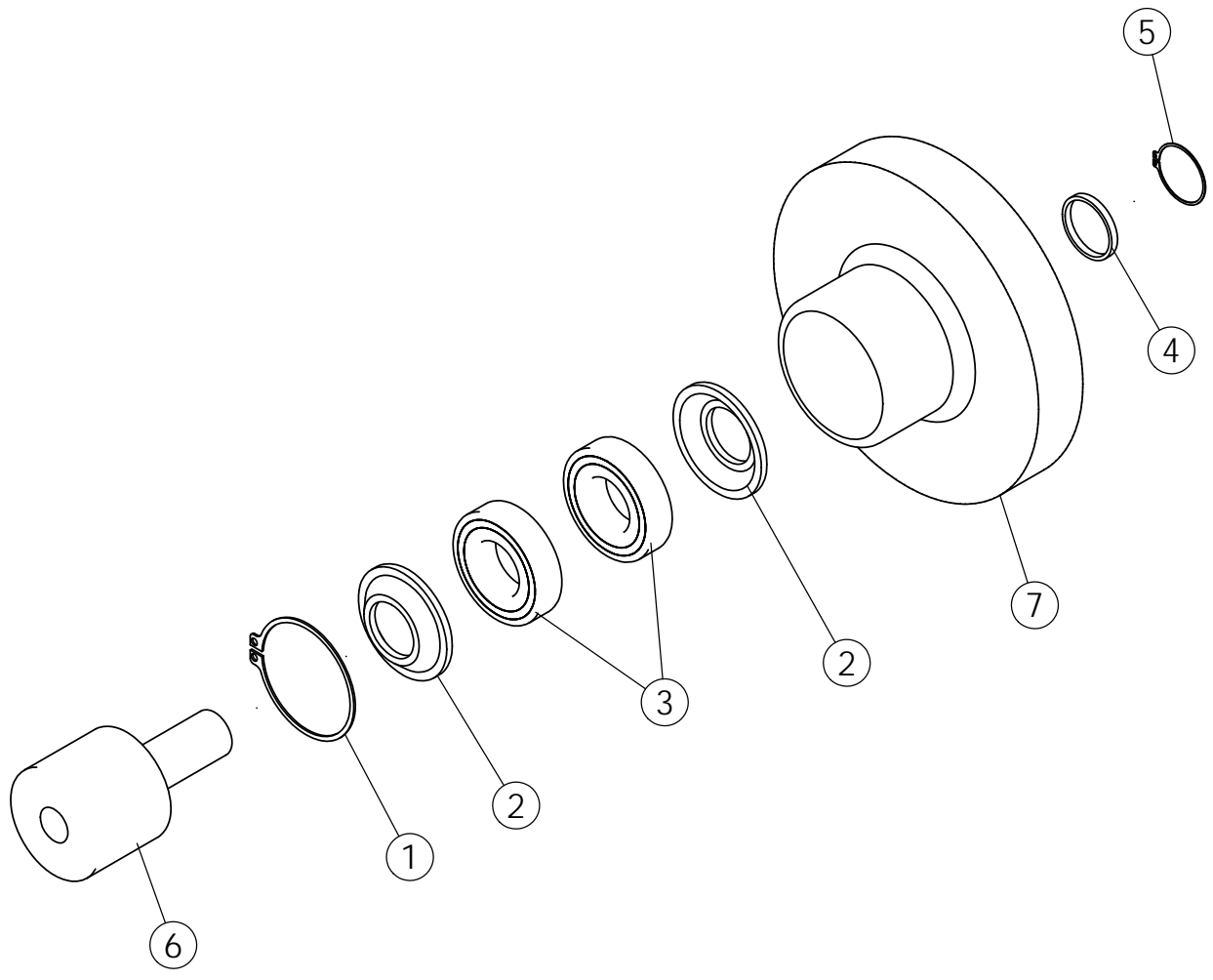


## IDLER PULLEY #56406

ITEM	PART NO.	DESCRIPTION	QTY
1	56405	WLDMT-PULLEY	1
2	56399	BALL BEARING 1.75	2
3	56400	RETAINING RING	2

## SPROCKET IDLER #56851

ITEM	PART NO.	DESCRIPTION	QTY
4	58807	ROLLER-IDLER	1
5	58806	BEARING-IDLER	1
6	58805	SNAP-RING	1

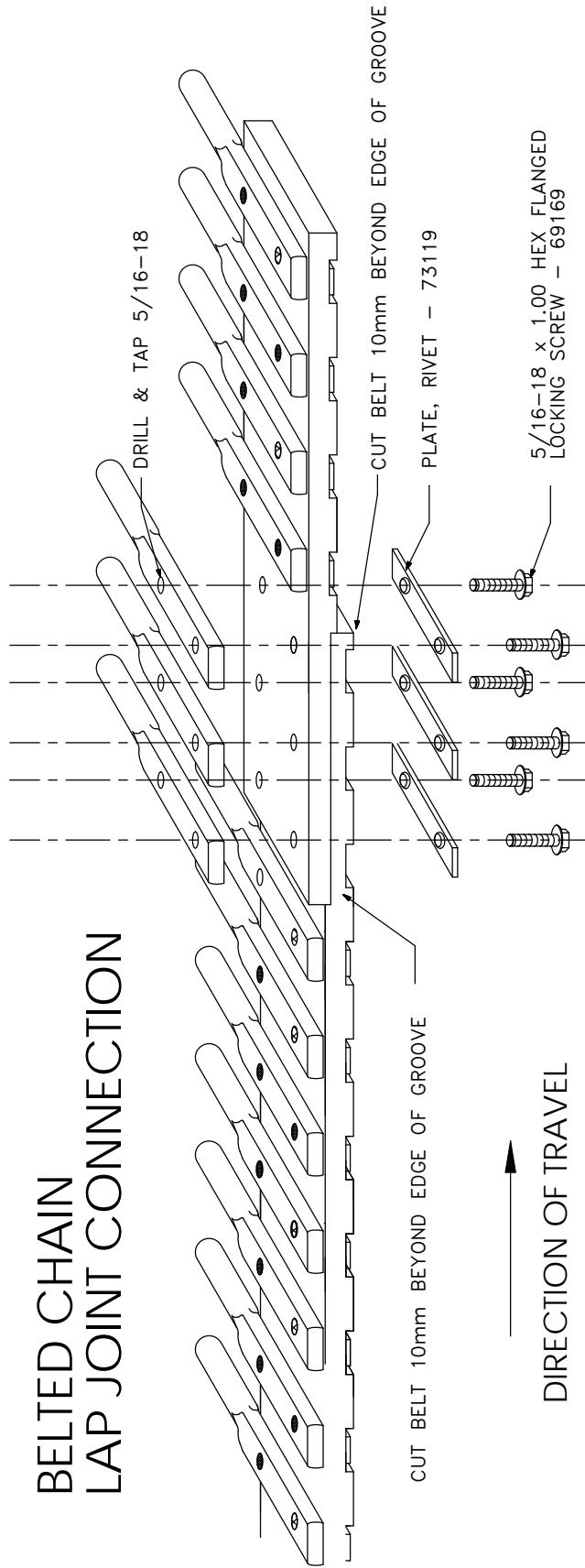


# ROLLER

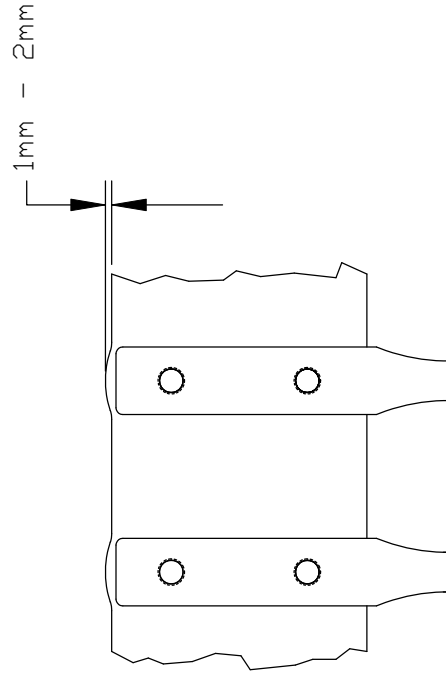
ITEM	PART NO.	DESCRIPTION	QTY
1	54151	SNAP RING SR11	1
2	54152	WASHER	2
3	54108	BEARING 2"	2
4	54153	SPACER-NRS	1
5	54154	SNAP RING SR3	1
6	56885	STUB SHAFT	1
7	54042*	ROLLER-STEP 6"	1

\* COMES WITH ITEMS 1-6

# BELTED CHAIN LAP JOINT CONNECTION



WARNING : ENSURE THAT SCREWS ARE SUFFICIENTLY TIGHT TO PRODUCE A BULGE AT THE EDGE OF THE BELT OF BETWEEN 1 AND 2mm (SEE DIAGRAM). FAILURE TO DO SO MAY CAUSE PREMATURE FAILURE AND VOID YOUR WARRANTY



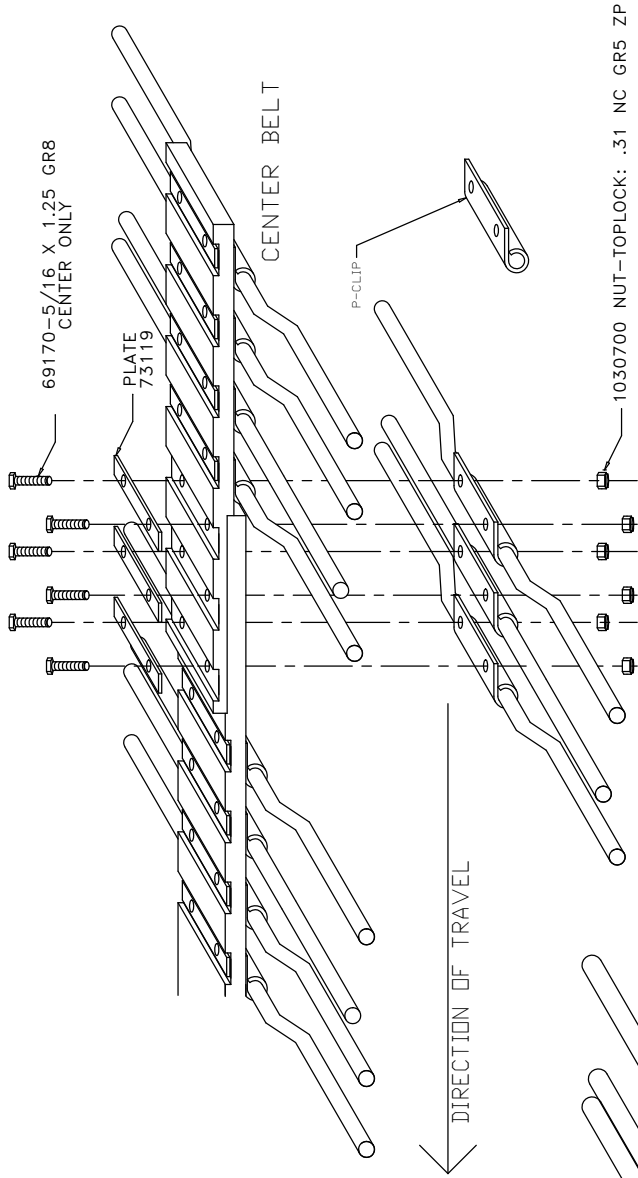
.50 Ø RODS DRILL & TAP .313-18

73122 STRAIGHT - ELEVATOR CHAIN  
73123 UP - ELEVATOR CHAIN

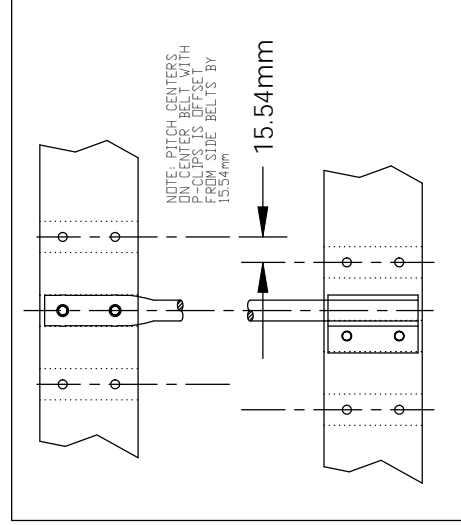
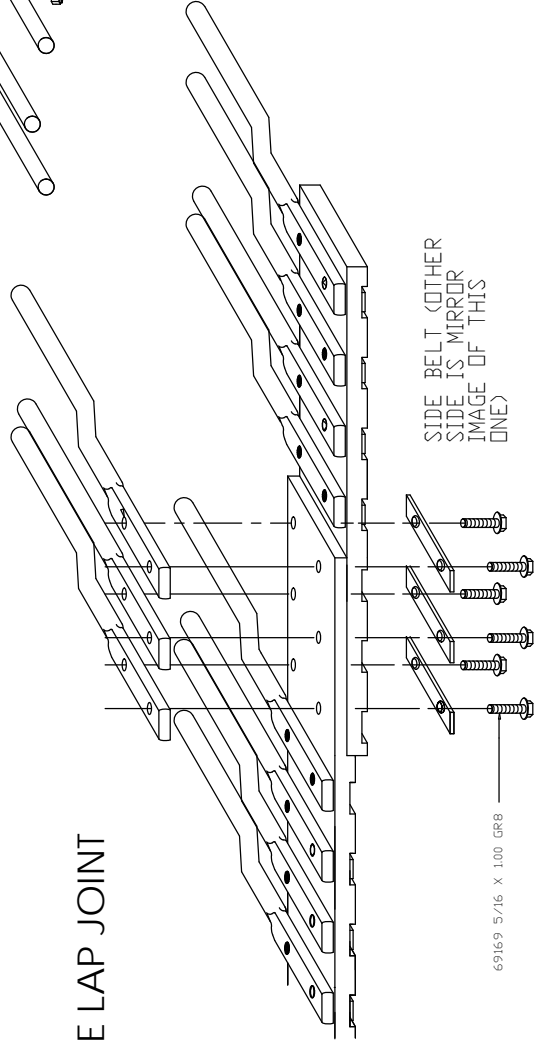
73163 STRAIGHT - JUMP CHAIN  
73128 UP - JUMP CHAIN

# 3 BELT SCRUB CHAIN - LAP JOINT

## CENTER LAP JOINT

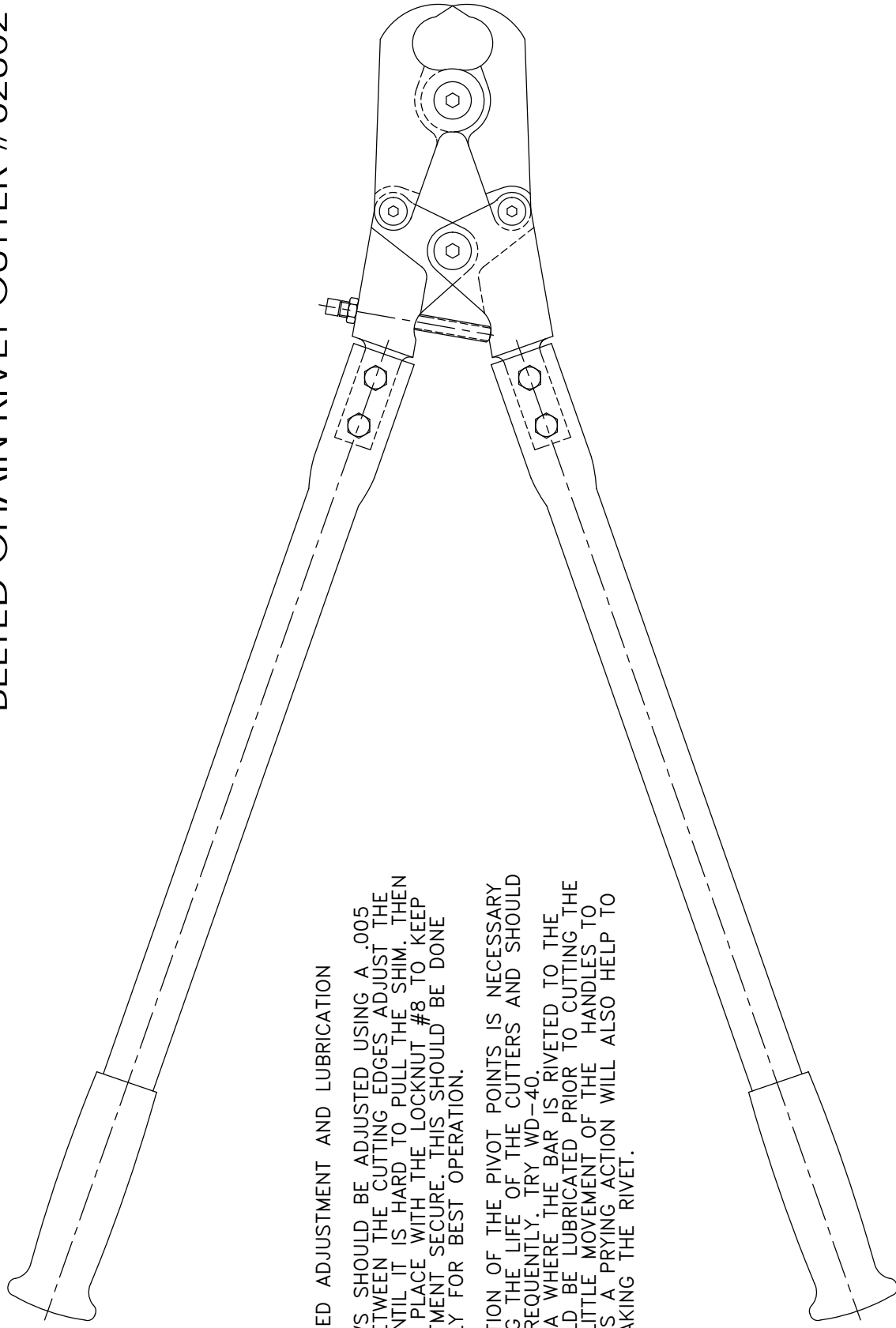


## SIDE LAP JOINT



- 73117 - ROD-BC 1/2 X 64 STRAIGHT 3BELT
- 73118 - ROD-BC 1/2 X 64 DOWN 3BELT

# BELTED CHAIN RIVET CUTTER #62802



## RECOMMENDED ADJUSTMENT AND LUBRICATION

1. THE JAWS SHOULD BE ADJUSTED USING A .005 IN. SHIM BETWEEN THE CUTTING EDGES. ADJUST THE BOLT #7 UNTIL IT IS HARD TO PULL THE SHIM. THEN LOCK IT IN PLACE WITH THE LOCKNUT #8 TO KEEP THE ADJUSTMENT SECURE. THIS SHOULD BE DONE PERIODICALLY FOR BEST OPERATION.
2. LUBRICATION OF THE PIVOT POINTS IS NECESSARY TO PROLONG THE LIFE OF THE CUTTERS AND SHOULD BE DONE FREQUENTLY. TRY WD-40.
3. THE AREA WHERE THE BAR IS RIVETED TO THE BELT SHOULD BE LUBRICATED PRIOR TO CUTTING THE RIVETS. A LITTLE MOVEMENT OF THE HANDLES TO THE SIDE AS A PRYING ACTION WILL ALSO HELP TO FINISH BREAKING THE RIVET.



