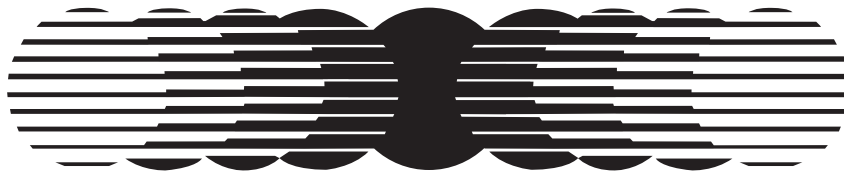


PARTS MANUAL

2006
WIC HARVESTER
12 ROW 22 SCRUB

Amity
TECHNOLOGY



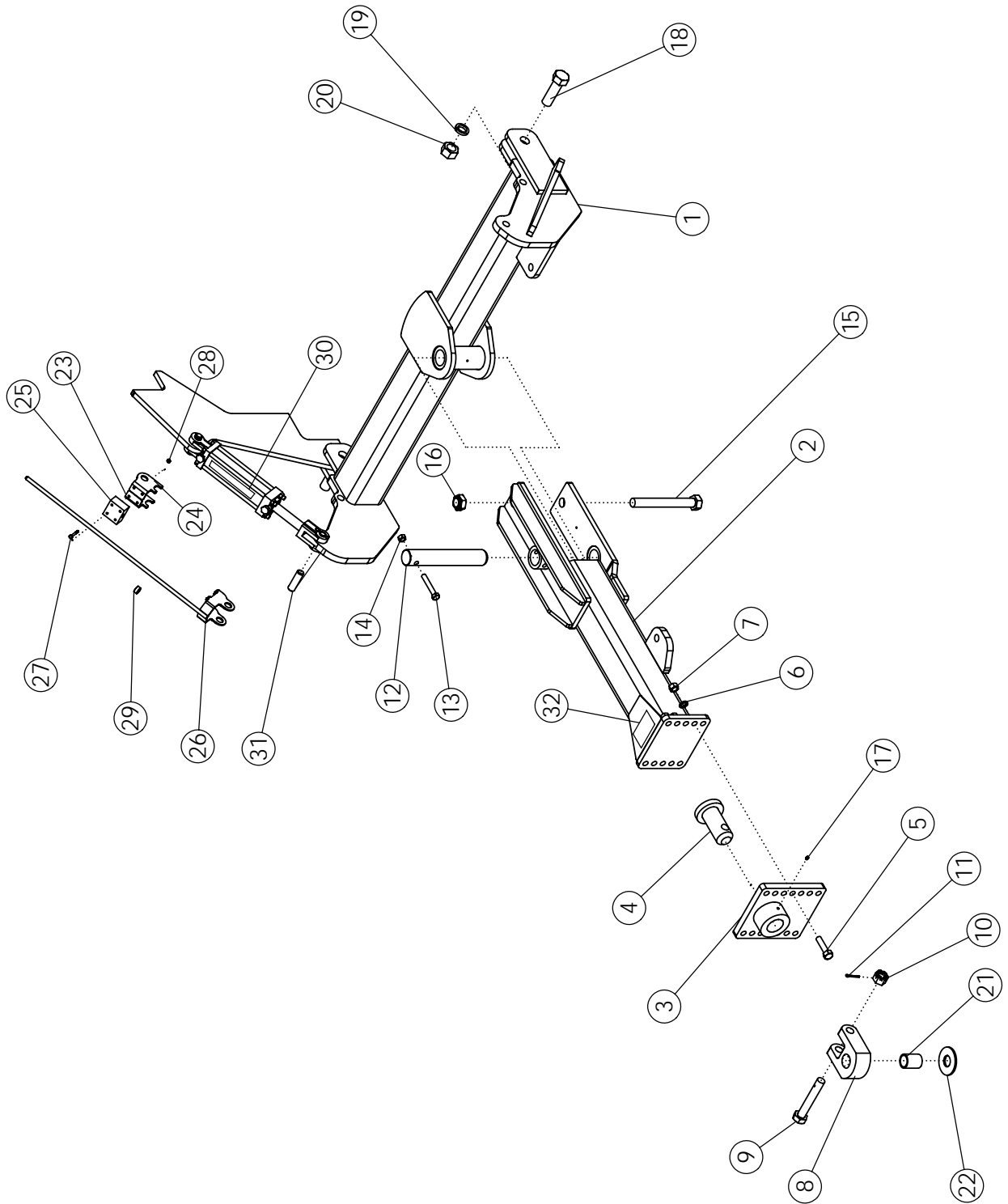
2800 7TH Avenue North
Fargo, ND 58102

Phone: (701) 232-4199
Fax: (701) 234-1716
www.amitytech.com

TABLE OF CONTENTS

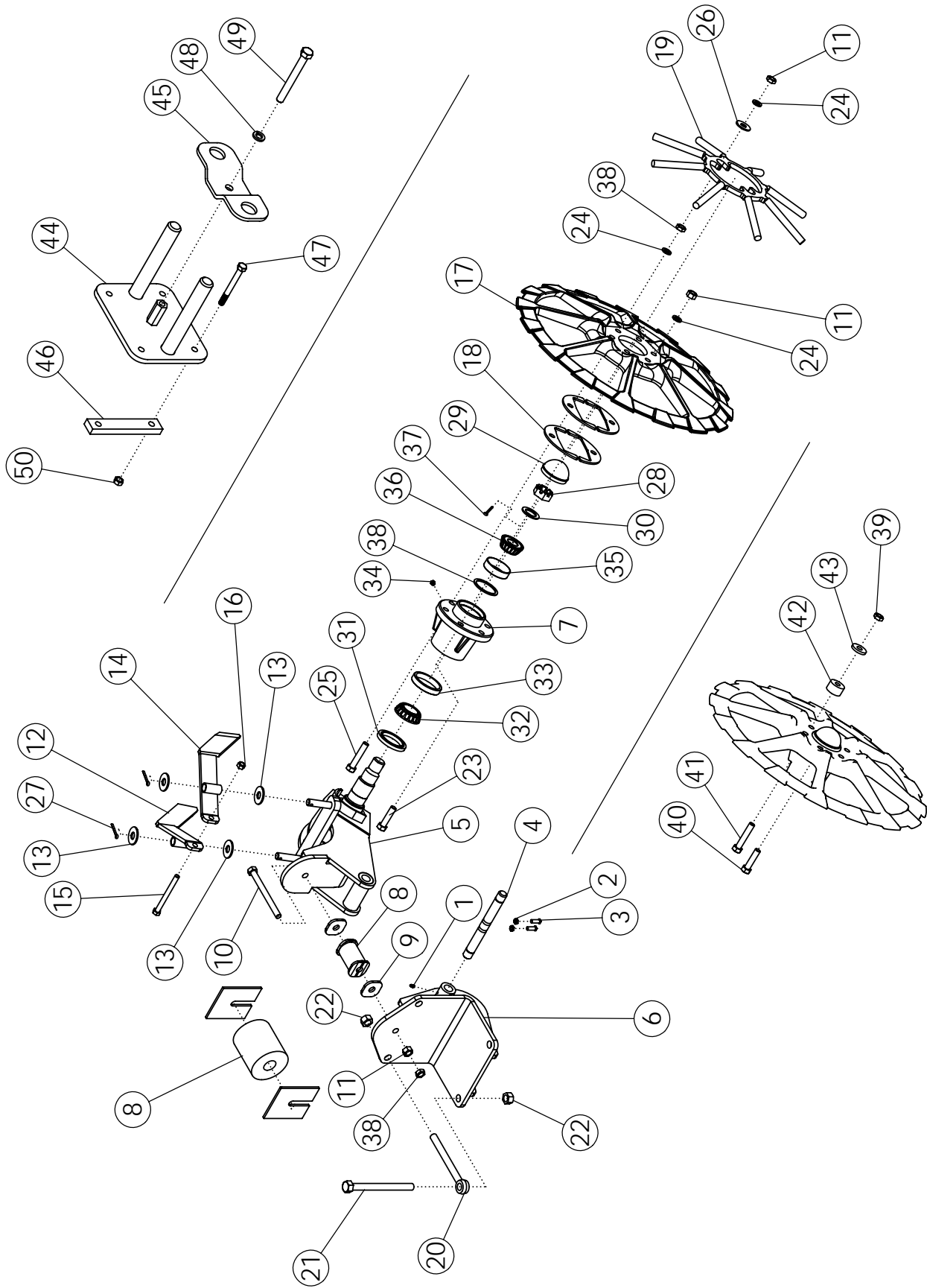
HITCH ASSEMBLY.....	1-2
LIFTER STRUT.....	3-10
HYDRAULIC ROW FINDER.....	11-14
GUARDS & SHIELDS.....	15-20
APRON SHAFT.....	21-22
PADDLE SHAFT.....	23-24
CLEANING ROLLS.....	25-30
CLEANING ROLL MOUNTING PACKAGE.....	31-34
MAIN DRIVE.....	35-38
APRON SHAFT DRIVE.....	39-40
PADDLE SHAFT DRIVE.....	41-42
MAIN DRIVE REAR.....	43-44
CLEANING ROLL DRIVE.....	45-48
JUMP CHAIN.....	49-50
TANK ASSEMBLY.....	51-52
ELEVATOR ASSEMBLY.....	53-54
ELEVATOR BOOM.....	55-56
REAR SCRUB.....	57-60
REAR SCRUB: BELTED CHAIN.....	61-62
REAR SCRUB DRIVE.....	63-64
AXLE COMPONENTS.....	65-66
SPINDLE & HUB ASSEMBLY.....	67-68
LIGHT KIT.....	69-70
AXLE HYDRAULICS.....	71-72
ROW FINDER & HITCH HYDRAULICS.....	73-74
VALVE GROUP	75-76
TANK HYDRAULICS.....	77-78
HYDRAULIC TANK.....	79-80
HARVESTER STAND (OPTIONAL).....	81-82
SHAFT MONOITOR (OPTIONAL).....	83-86
PTO DRIVELINE 1.75" – 20 SPLINE.....	87-88
GEARBOX (1.81:1) #72912.....	89-90
GEARBOX (1.81:1) #62015.....	91-92
MOTOR (32.3 IN ³) #57686.....	93-94
HYDRAULIC CYLINDER (2.5 X 16") #58889.....	95-96
HYDRAULIC CYLINDER (4 X 8") #58891.....	97-98
HYDRAULIC CYLINDER (4 X 10") #72950.....	99-100
FLOW CONTROL VALVE #58985.....	101-102
SELECTOR VALVE #58470.....	103-104
ROW FINDER VALVE #62350.....	105-106

SPROCKET #54824.....	107-108
BELT TIGHTENER #72749.....	107-108
BELT TIGHTENER #72058 & #72453.....	109-110
SLIP CLUTCH/SPROCKET #72030.....	111-112
SLIP CLUTCH/SPROCKET #58335.....	111-112
SLIP CLUTCH/SPROCKET #57993.....	111-112
IDLER PULLEY #56406.....	113-114
SPROCKET IDLER #56851.....	113-114
ROLLER.....	115-116
BELT LAP JOINT.....	117
3 BELT LAP JOINT.....	118
BELT REPAIR KIT.....	119
TOOL CUTTER.....	120



HITCH ASSEMBLY

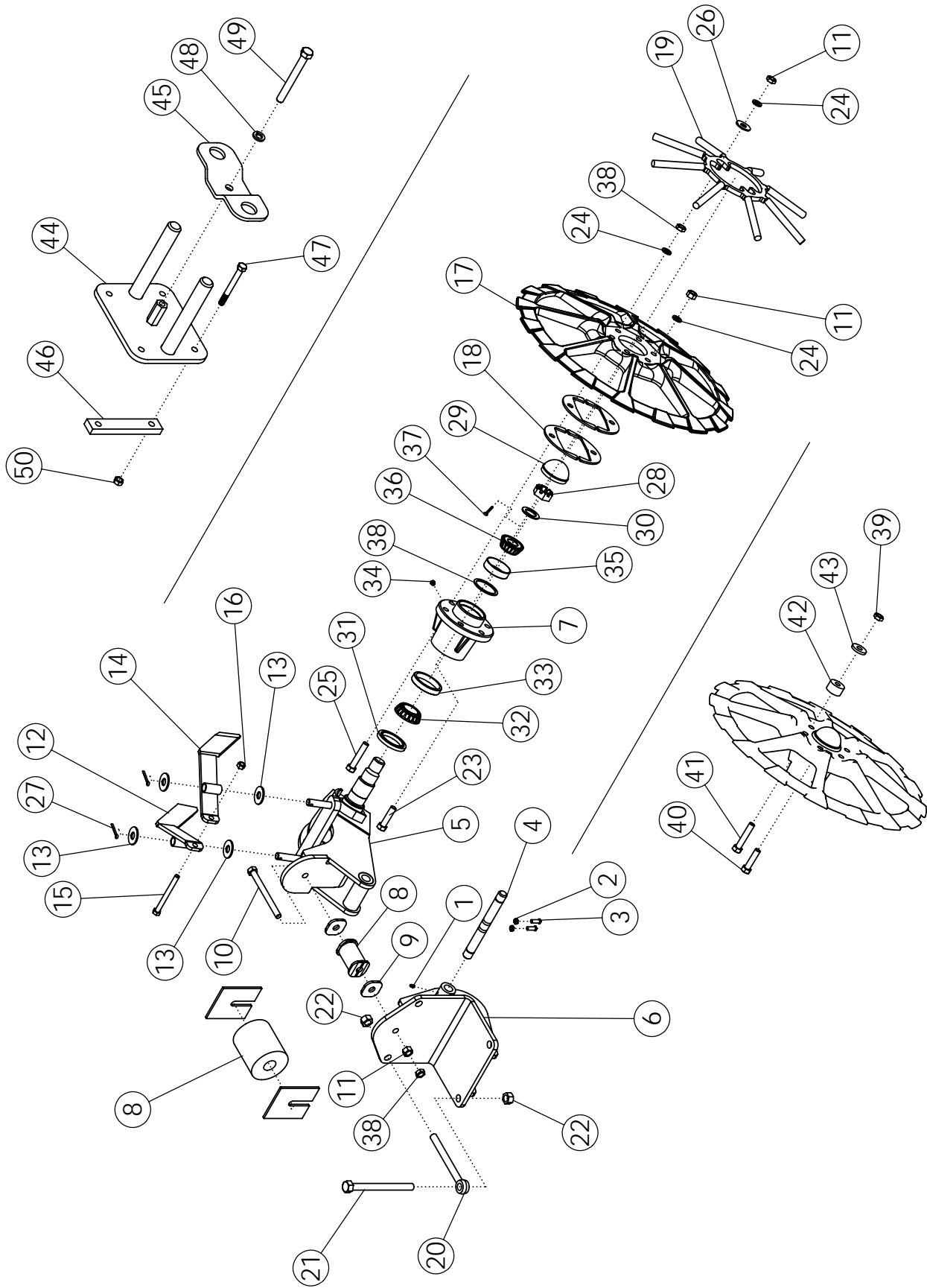
ITEM	PART NO.	DESCRIPTION	QTY
1	72023	WLDMT - HITCH PIVOT 12R	1
2	57928	WLDMT - DRAWPOLE	1
3	57930	WLDMT-HITCH PLATE	1
4	62101	WLDMT-PIN	1
5	1012059	BOLT-HEX: .75 X3.00 NC GR5 ZP	6
6	1012061	WASHER-LOCK: .75 ZP	6
7	1011620	NUT-HEX: .75 NC	6
8	64476	PLATE-PULL HITCH	1
9	62477	BOLT-HITCH DRILLED	1
10	62088	NUT-SLOTTED: 1.13 NC GR5 ZP	1
11	1013473	PIN-COTTER: .19 X2.00 NP	1
12	50678	PIN	1
13	1015117	BOLT-HEX: .63 X4.00 NC GR8 ZP	1
14	1016595	NUT-TOPLOCK: .63 NC GR5 ZP	1
15	1030756	BOLT-HEX: 1.25 X10.50 NC GR5 ZP	1
16	1030759	NUT-TOPLOCK: 1.25 NC ZP	1
17	1011748	ZERK - GREASE	4
18	72021	BOLT-HEX: 1.38 X4.50 NC GR5 ZP	2
19	1030760	WASHER-LOCK: 1.38 ZP	2
20	1030758	NUT-HEX: 1.38 NC ZP	2
21	64614	SLEEVE 1.38	1
	64615	SLEEVE 1.25	
22	58925	HARDENED WASHER	1
23	63995	TOP BRACKET RH	1
24	63996	TOP BRACKET LH	1
25	63383	POLY GUIDE BLOCK	1
26	63999	WLDMT - BOTTOM_BRACKET	1
27	1016211	BOLT-HEX: .25 X2.00 NC GR5	4
28	1030946	NUT-TOPLOCK: .25 NC GR5 ZP	4
29	63359	SET COLLAR .56	1
30	63405	DECAL-DEPTH GAUGE	1
31	63406	PIN-CLEVIS: 1.00 X4.00 ZP	2
32	52448	DECAL-CAUTION	1



LIFTER STRUT

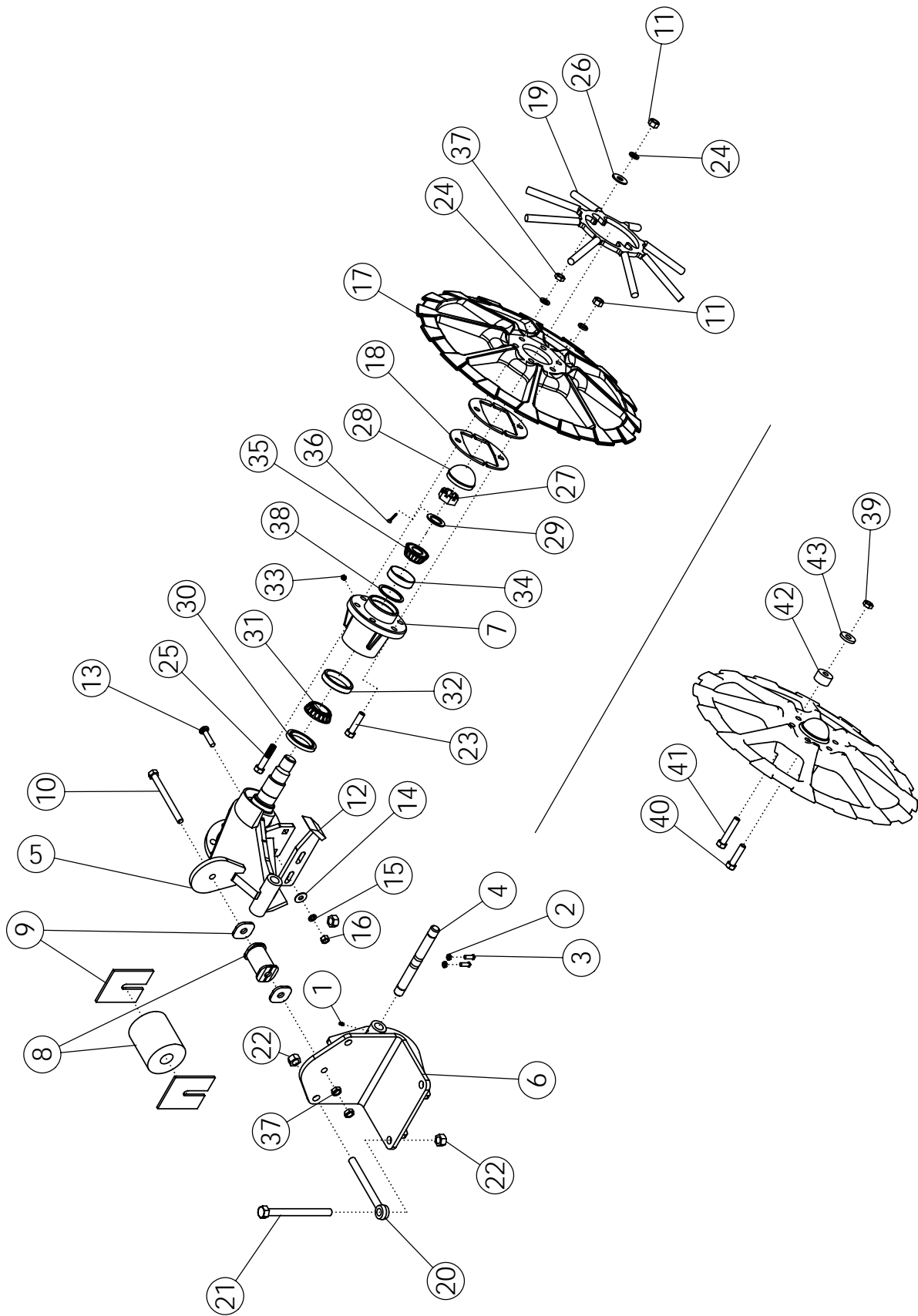
ITEM	PART NO.	DESCRIPTION	QTY
1	1011747	ZERK - GREASE: .25 UNF 90°	2
2	1013519	NUT-JAM: .38 NC GR2 ZP	2
3	50813	SCREW-SET: SQ HD .38 X 1.00 ZP	2
4	50397	SHAFT-STRUT	1
5	50142	STRUT-SPINDLE ASSY-STD	1
6	50146	WLDMT-STRUT BRACKET	1
7	63655	HUB-MACHINED	2
8	50134	WLDMT-SPACER	1
	51542	BUMPER-RUBBER	1
9	50137	WASHER	2
	50139	PLATE ZP	2
10	1030761	BOLT-HEX: .63 X 7.00 NC GR 8 ZP	1
11	1011578	NUT-HEX: .63 NC GR5 ZP	13
12	50715	WLDMT-SCRAPER RH	1
13	1030702	WASHER-FLAT: .75 ZP	4
14	50716	WLDMT-SCRAPER LH	1
15	1016660	BOLT-HEX: .50 X 5.50 NC GR5 ZP	1
16	1027461	NUT-TOPLOCK: .50 NC GR5 ZP	1
17	53867	LIFTER WHEEL MACHINED	2
	53853	LIFTER WHEEL HARD	
18	50747	SPACER F.C.	AR
19	63880	WLDMT-WHEEL FILLER (OPTIONAL)	2
20	64135	BOLT-EYE: .75 X 8.00 ZP	2
21	64136	BOLT-HEX: .75 X 8.50 NC GR5 ZP	2
22	1017000	NUT-TOPLOCK .75 NC GR5 ZP	4
23	1013023	BOLT-HEX: .63 X 2.50 NC GR5 ZP	8
24	1011813	WASHER-LOCK: .63 ZP	16
25	65825	BOLT-HEX: .63 X 3.25 NC GR5 ZP	4
26	1013024	WASHER-FLAT: .63 ZP	4
27	1013473	PIN-COTTER: .19 X 2.00 NP	2
28	1016367	NUT-SPINDLE: 1.38 NF NP	2
29	63624	HUB CAP ROUNDED	2
30	1030765	BUSHING-MACHINED: 1.38 NR 10 GA	2
31	53632	SEAL	2
32	53634	CONE-BEARING INNER	2
33	53636	CUP-BEARING INNER	2
34	1030766	ZERK - GREASE .13 NPT STRAIGHT	2
35	53635	CUP-BEARING OUTER	2
36	53633	CONE-BEARING OUTER	2
37	62014	PIN-COTTER: .25 X 3.00 NP	2

CONTINUED



LIFTER STRUT (CONTINUED)

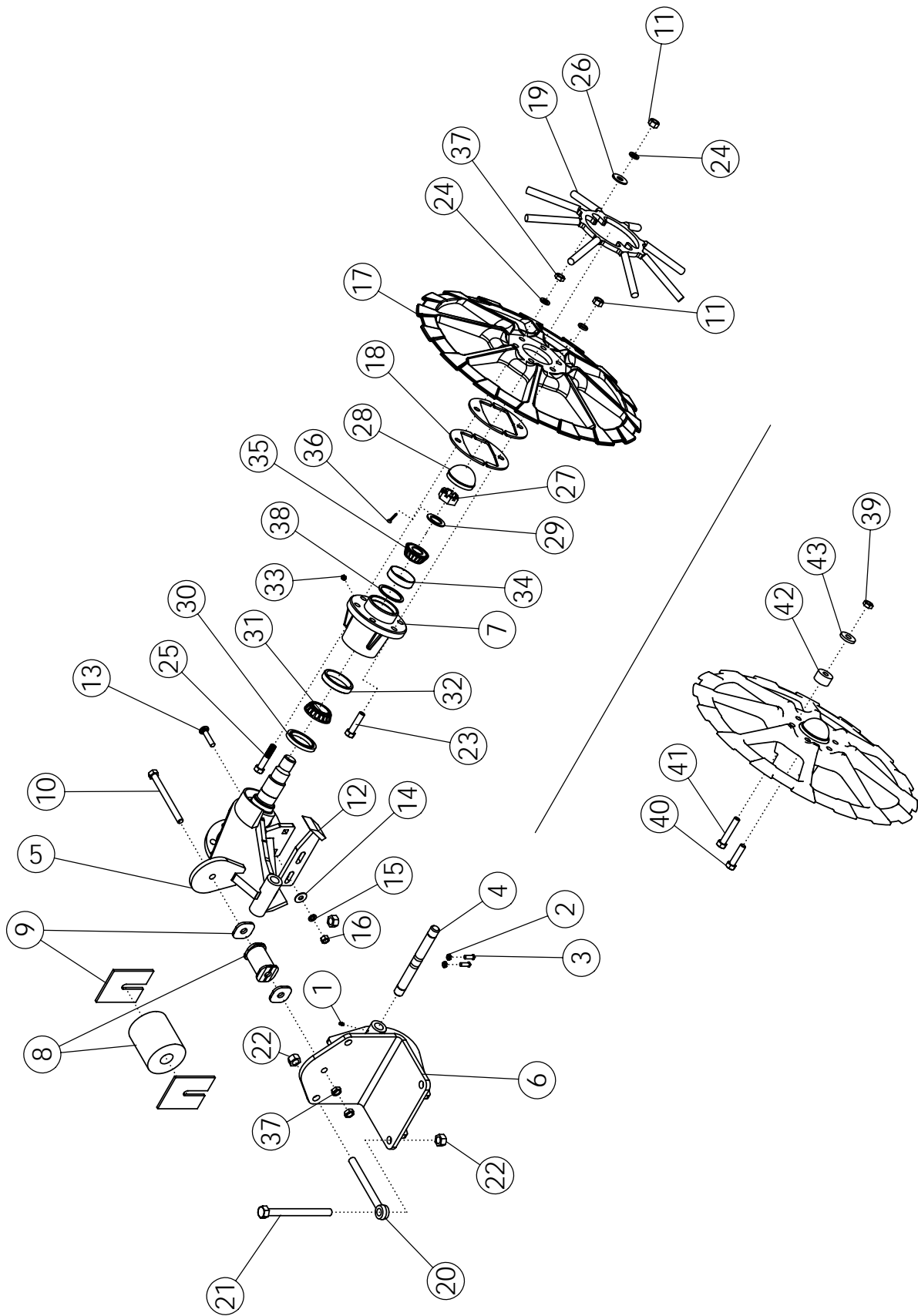
ITEM	PART NO.	DESCRIPTION	QTY	
38	64674	RACE-SPACER (.120)	AR	
OPTIONAL URETHANE BUSHING				
39	1016595	NUT-TOPLOCK: .63 GR5 ZP	12	
40	1032273	BOLT-HEX: .63 X 3.50 NC GR5 ZP	8	
41	1013935	BOLT-HEX: .63 X 4.50 NC GR5 ZP	4	
42	51705	BUSHING	12	
43	50822	WASHER-FLAT: .63 GR8 ZP	12	
OPTIONAL WHEEL FILLER BRACKET			6-8ROW	12 ROW
44	64658	WLDMT-WHEEL FILLER BRACKET	2	3
45	64659	PLATE-RETAINER	2	3
46	63372	BAR-BACKING	4	6
47	58176	BOLT-HEX: .38 X 3.50 NC GR5 ZP	8	12
48	1011581	WASHER-LOCK: .50 ZP	2	3
49	1013682	BOLT-HEX: .50 X 4.50 NC GR5 ZP	2	3
50	1016999	NUT-TOPLOCK: .38 NC GR5 ZP	8	12



LIFTER STRUT - BOTTOM SCRAPER OPTION

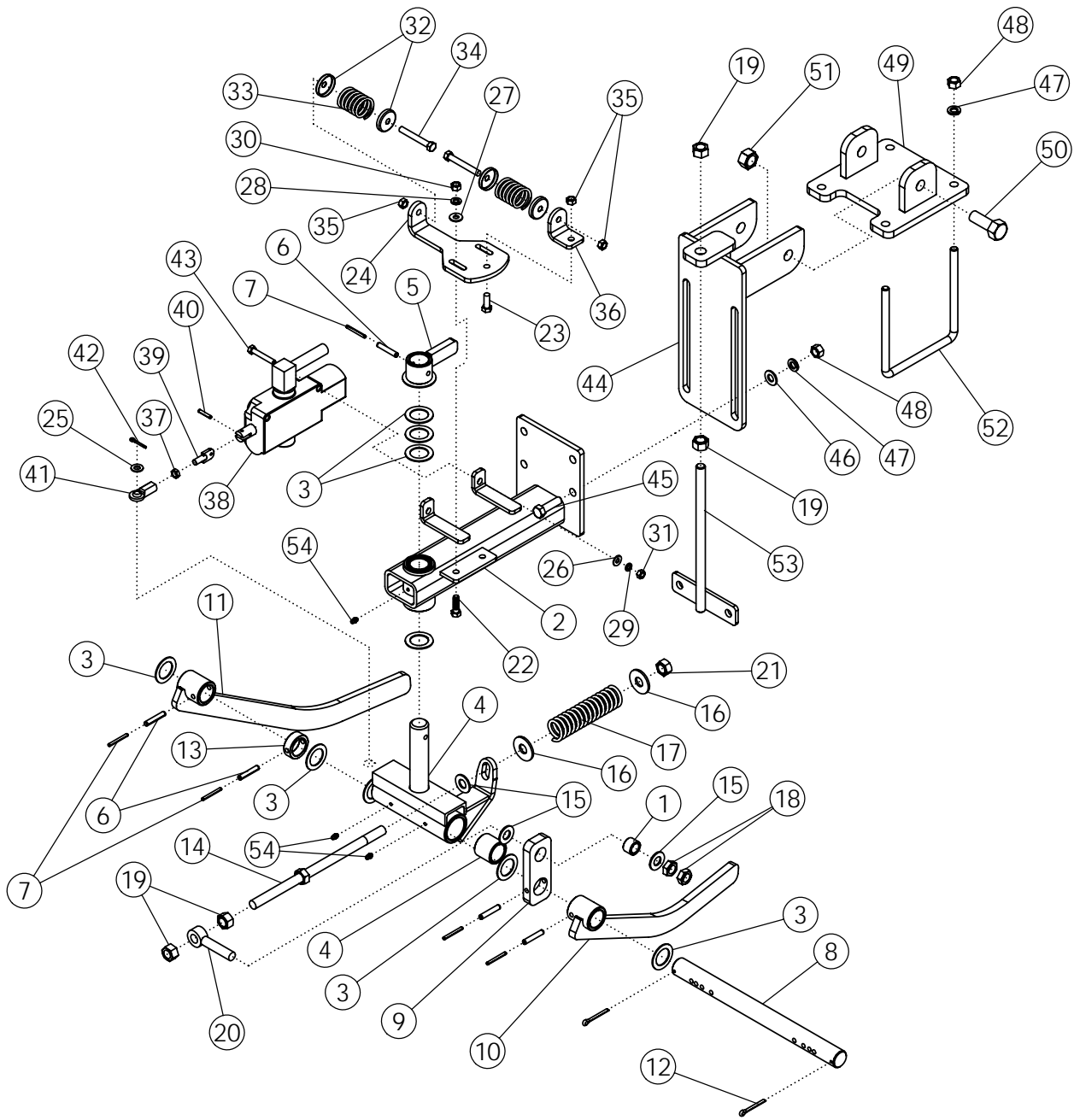
ITEM	PART NO.	DESCRIPTION	QTY
1	1011747	ZERK - GREASE: .25 UNF 90°	2
2	1013519	NUT-JAM: .38 NC GR2 ZP	2
3	50813	SCREW-SET: SQ HD .38 X 1.00 ZP	2
4	50397	SHAFT-STRUT	1
5	68095	WLDMT-SP LIFTER STRUT STD	1
6	50146	WLDMT-STRUT BRACKET	1
7	63655	HUB-MACHINED	2
8	50134	WLDMT-SPACER	1
	51542	BUMPER-RUBBER	1
9	50137	WASHER	2
	50139	PLATE ZP	2
10	1030761	BOLT-HEX: .63 X 7.00 NC GR 8 ZP	1
11	1011578	NUT-HEX: .63 NC GR5 ZP	12
12	64369	WLDMT-SCRAPER	2
13	64685	BOLT-CRG: .50 X 2.25 NC GR5 ZP	2
14	1014443	WASHER-FLAT: .50 ZP	2
15	1011581	WASHER-LOCK: .50 ZP	2
16	1011577	NUT-HEX: .50 NC GR5 ZP	2
17	53867	LIFTER WHEEL MACHINED	2
	53853	LIFTER WHEEL HARD	
18	50747	SPACER	AR
19	63880	WLDMT-WHEEL FILLER (OPTIONAL)	2
20	64135	BOLT-EYE: .75 X 8.00 ZP	2
21	64136	BOLT-HEX: .75 X 8.50 NC GR5 ZP	2
22	1017000	NUT-TOPLOCK: .75 NC GR5 ZP	4
23	1013023	BOLT-HEX: .63 X 2.50 NC GR5 ZP	8
24	1011813	WASHER-LOCK: .63 ZP	16
25	65825	BOLT-HEX: .63 X 3.25 NC GR5 ZP	4
26	1013024	WASHER-FLAT: .63 ZP	4
27	1016367	NUT-SPINDLE: 1.38 NF NP	2
28	63624	HUB CAP ROUNDED	2
29	1030765	BUSHING-MACHINED: 1.38 NR 10 GA	2
30	53632	SEAL	2
31	53634	CONE-BEARING INNER	2
32	53636	CUP-BEARING INNER	2
33	1030766	ZERK - GREASE .13 NPT STRAIGHT	2
34	53635	CUP-BEARING OUTER	2
35	53633	CONE-BEARING OUTER	2
36	62014	PIN-COTTER: .25 X 3.00 NP	2
37	1026259	NUT-JAM: .63 NC ZP	5
38	64674	RACE-SPACER (.120)	AR

CONTINUED



LIFTER STRUT - BOTTOM SCRAPER (CONTINUED)

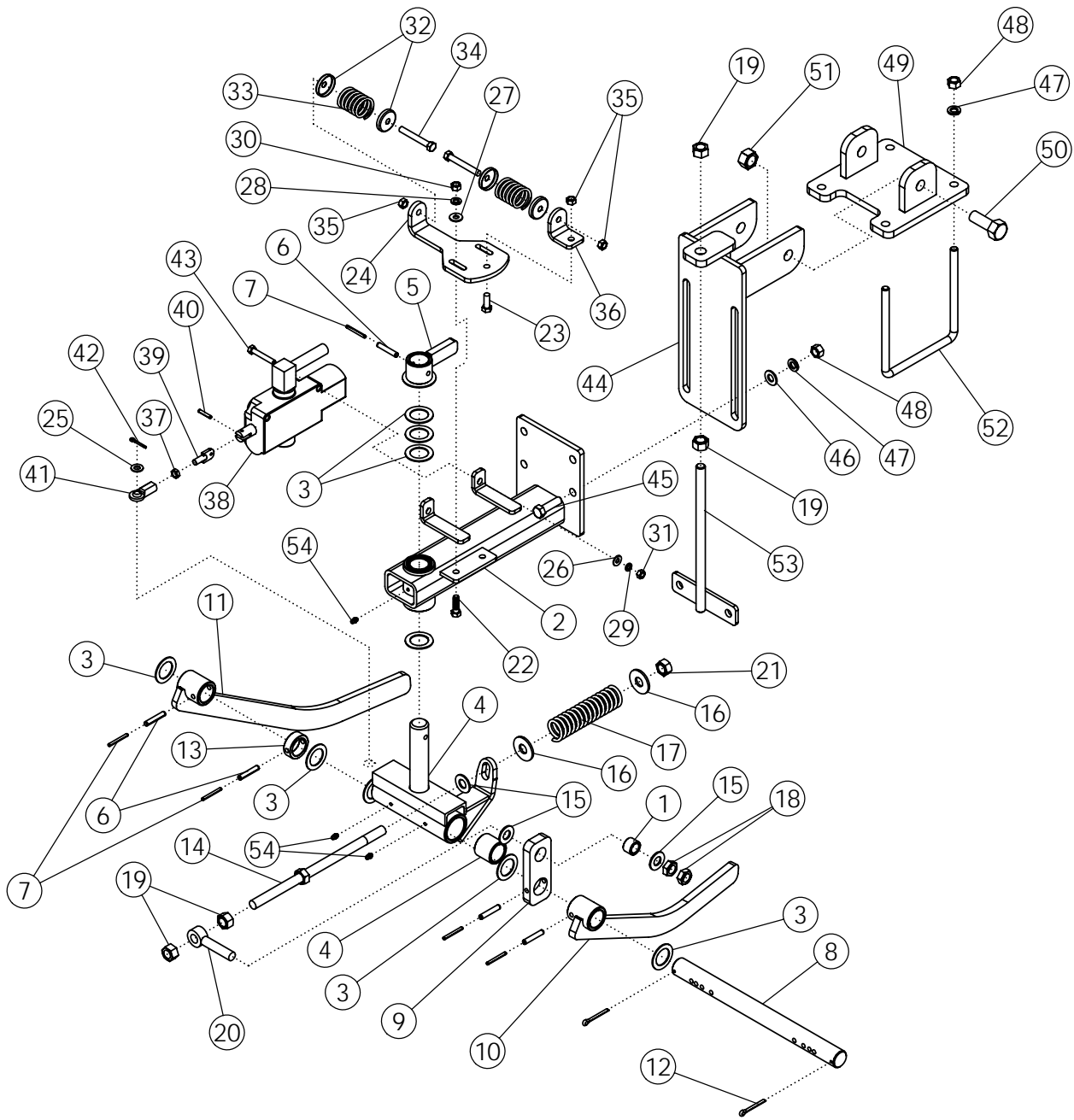
ITEM	PART NO.	DESCRIPTION	QTY
<hr/>			
OPTIONAL URETHANE BUSHING			
<hr/>			
39	1016595	NUT-TOPLOCK: .63 GR5 ZP	12
40	1032273	BOLT-HEX: .63 X 3.50 NC GR5 ZP	8
41	1013935	BOLT-HEX: .63 X 4.50 NC GR5 ZP	4
42	51705	BUSHING	12
43	50822	WASHER-FLAT: .63 GR8 ZP	12



HYDRAULIC ROW FINDER #51486

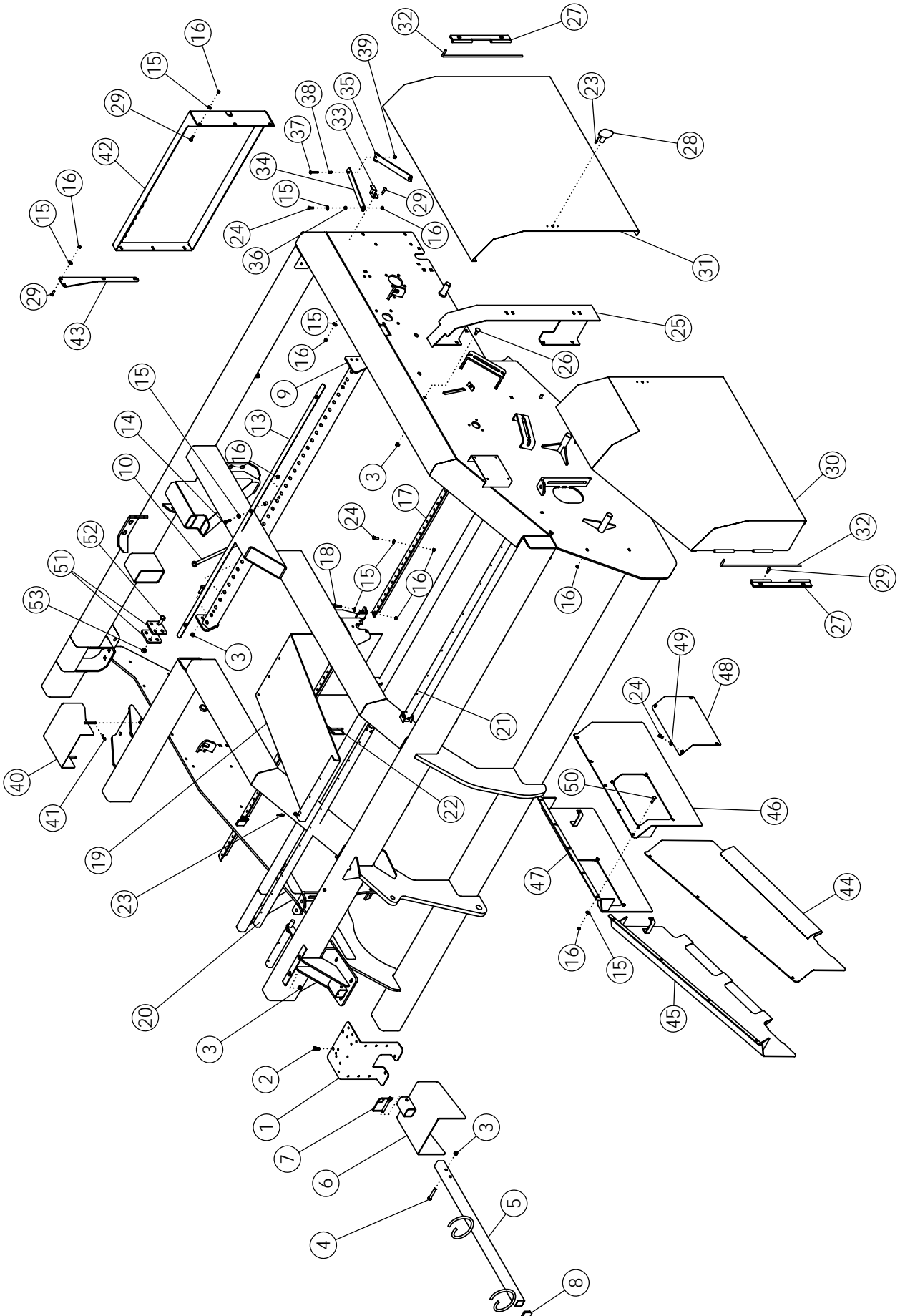
ITEM	PART NO.	DESCRIPTION	QTY
1	52567	BUSHING-ZP	1
2	62520	ASSY-MAIN FRAME	1
3	55206	BUSHING-MACH: 1.25 NR 14GA	9
4	51139	ASSY - SWIVEL	1
5	51130	WLDMT-FLIPPER	1
6	1030793	PIN-ROLL: .31 X 1.75 ZP	5
7	1030798	PIN-ROLL: .31 X 1.75 ZP	5
8	51690	SHAFT ZP	1
9	52566	TENSIONER ARM	1
10	51131	SENSOR ARM-L.H.	1
11	52564	SENSOR ARM-R.H.	1
12	1030797	PIN-COTTER: .19 X 1.75 NP	2
13	51137	COLLAR	1
14	52565	ADJUSTMENT BOLT	1
15	1013004	WASHER-FLAT: SAE .63 ZP	3
16	1013024	WASHER-FLAT: .63 ZP	2
17	51692	SPRING: .21 X 1.44 OD X 6.00 15 COILS	1
18	1026259	NUT-JAM: .63 NC GR2 ZP	2
19	1011578	NUT-HEX: .63 NC GR2 ZP	4
20	51691	EYEBOLT: .63 X 3.25 ZP	1
21	1016595	NUT-TOPLOCK: .63 NC GR5 ZP	1
22	1011601	BOLT-HEX: .38 X 1.25 NC GR5 ZP	2
23	1011600	BOLT-HEX: .38 X 1.00 NC GR5 ZP	1
24	51129	PLATE	1
25	1014608	WASHER-FLT: SAE .38 ZP	1
26	1020416	WASHER-FLAT: .25 ZP	2
27	1011583	WASHER-FLAT: .31 ZP	2
28	1011586	WASHER-LOCK: .38 ZP	2
29	1029115	WASHER-LOCK: .31 ZP	2
30	1011576	NUT-HEX: .38 NC GR2 ZP	2
31	1011575	NUT-HEX: .31 NC GR2 ZP	2
32	52582	SPRING CAP	4
33	51689	SPRING	2
34	1019828	BOLT-HEX: .38 X 2.75 NC GR5 ZP	2
35	1016999	NUT-TOPLOCK: .38 NC GR5 ZP	3
36	51128	SPRING PLATE	1
37	1030792	NUT-JAM: .38 NF GR2 ZP	1
38	62350	VALVE-ROWFINDER O/C	1
39	62540	PLATE STUD ZP	1
40	64157	PIN-ROLL: .19 X 1.125 ZP	1

CONTINUED



HYDRAULIC ROW FINDER #51486 (CONTINUED)

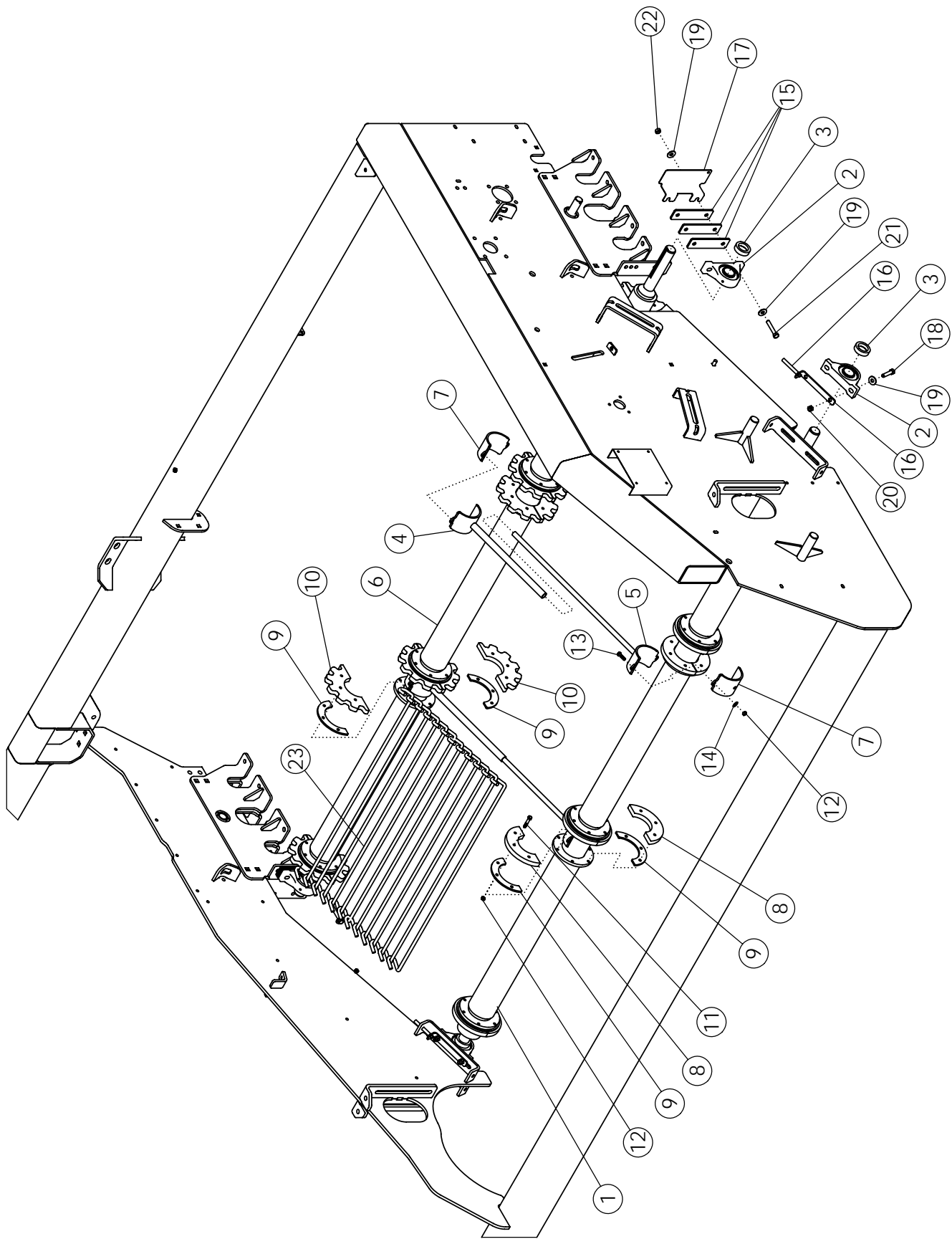
ITEM	PART NO.	DESCRIPTION	QTY
41	51136	UNIBALL COUPLING	1
42	64570	PIN-COTTER: .13 X 1.00 ZP	1
43	1011285	BOLT-HEX: .31 X 2.00 NC	2
44	52181	MOUNTING BRACKET	1
45	1011608	BOLT-HEX: .50 X 1.75 NC GR5 ZP	4
46	1011584	WASHER-FLAT: SAE .50 ZP	4
47	1011581	WASHER-LOCK: .50 ZP	8
48	1011577	NUT-HEX: .50 NC GR2 ZP	8
49	62871	WLDMT-BRACKET	1
50	1012060	BOLT-HEX: .75 X 2.00 NC GR5 ZP	2
51	1013537	NUT-TOPLOCK: .75 NC GR5 ZP	2
52	53984	U-BOLT 1/2 X 7 X 6 X 7	2
53	62882	TIGHTENER BOLT-ZP	1
54	1011748	ZERK - GREASE	3



GUARDS AND SHIELDS FRONT

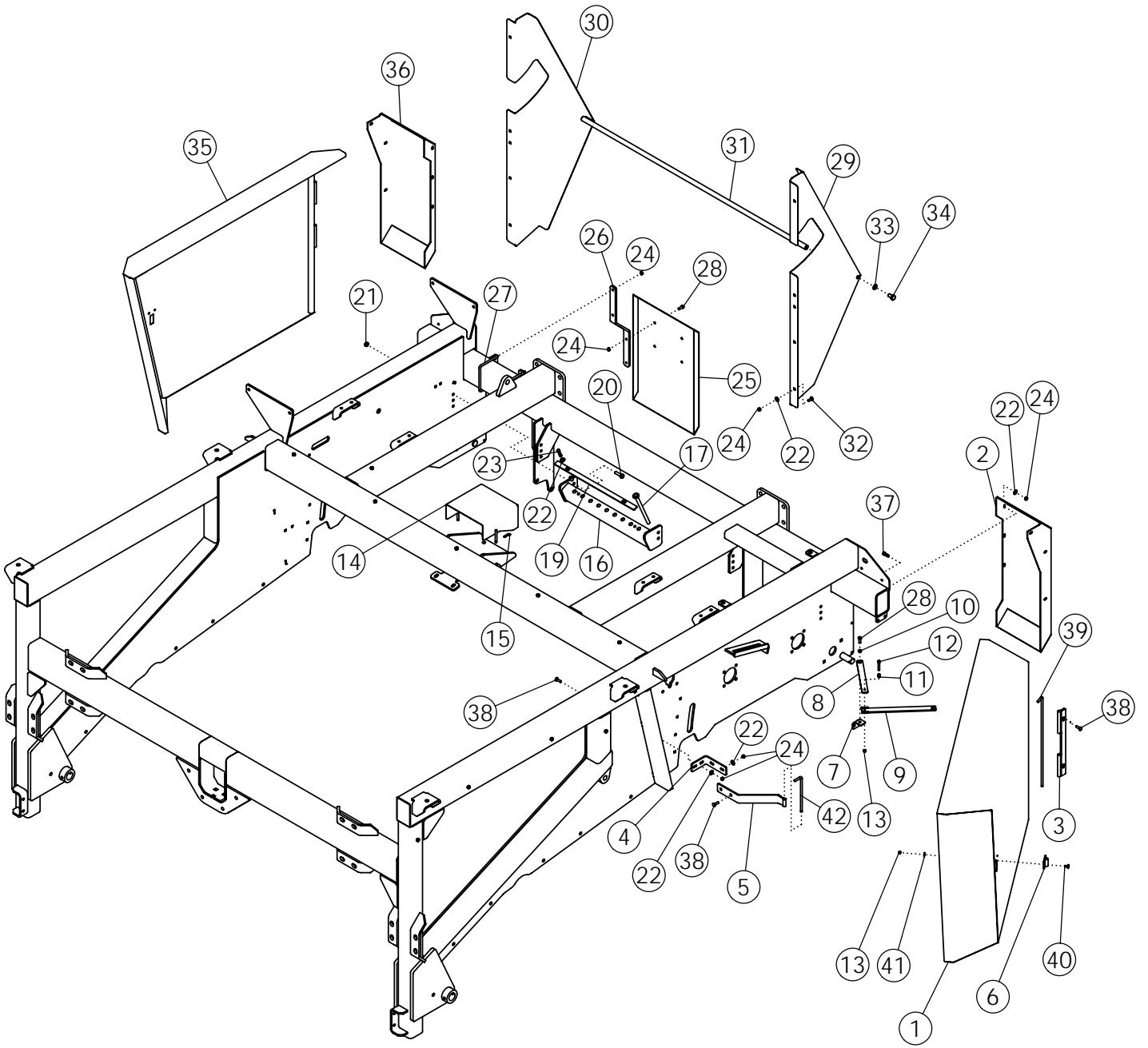
ITEM	PART NO.	DESCRIPTION	QTY
1	72071	PLATE-HOSE MOUNT	1
2	1011096	BOLT-HEX: .50 X 1.00 NC GR5 ZP	2
3	1027461	NUT-TOPLOCK: .50 NC GR5 ZP	17
4	1011611	BOLT-HEX: .50 X 3.00 NC GR5 ZP	1
5	54800	WLDMT-HOSE SUPPORT	1
6	63354	WLDMT-PTO SHIELD	1
7	52408	SPRING PIN .50 X 3.50	1
8	63869	CAPLUG-2" SQ	1
9	72624	WLDMT-MOUNT	2
10	72623	WLDMT-ROD ZP	68
11	1011608	BOLT-HEX: .50 X 1.75 NC GR5 ZP	8
12	58446	SPACER ZP	6
13	72626	STRAP	2
14	1011603	BOLT-HEX: .38 X 1.75 NC GR5 ZP	6
15	1011828	WASHER-FLAT .38 ZP	83
16	1016999	NUT-TOPLOCK: .38 NC GR5 ZP	75
17	72074	MOUNT-TARP	4
18	1011602	BOLT-HEX: .38 X 1.50 NC GR5 ZP	8
19	58961	APRON-RUBBER	12
20	72073	TUBE-INNER APRON MOUNT	2
21	72077	TUBE-OUTER APRON MOUNT	2
22	59101	SPRING PIN .38 X 3.00	4
23	1011974	RIVET-POP: .19 X .53 ZP	44
24	1011600	BOLT-HEX: .38 X 1.00 NC GR5 ZP	52
25	72666	WLDMT-DOOR MOUNT	2
26	1023854	BOLT-CRG: .50 X 1.25 NC GR5 ZP	4
27	72680	WLDMT-DOOR HINGE	4
28	68382	LATCH-TURN	4
29	1016362	BOLT-CRG: .38 X 1.25 NC GR5 ZP	24
30	72651	WLDMT-FRONT DOOR LH	1
	72655	WLDMT-FRONT DOOR RH (NOT SHOWN)	1
31	72661	WLDMT-REAR DOOR LH	1
	72664	WLDMT-REAR DOOR RH (NOT SHOWN)	1
32	51303	DOOR HINGE ROD ZP	4
33	72697	PLATE-DOOR TAB REAR	4
34	72692	PLATE-DOOR LOCK	4
35	72694	WLDMT-DOOR LOCK	4
36	51973	BUSHING-LINKAGE	8
37	1011285	BOLT-HEX: .31 X 2.00 NC	4
38	65278	SPRING-SCRAPER	4
39	1030700	NUT-TOPLOCK: .31 NC GR5 ZP	4

CONTINUE



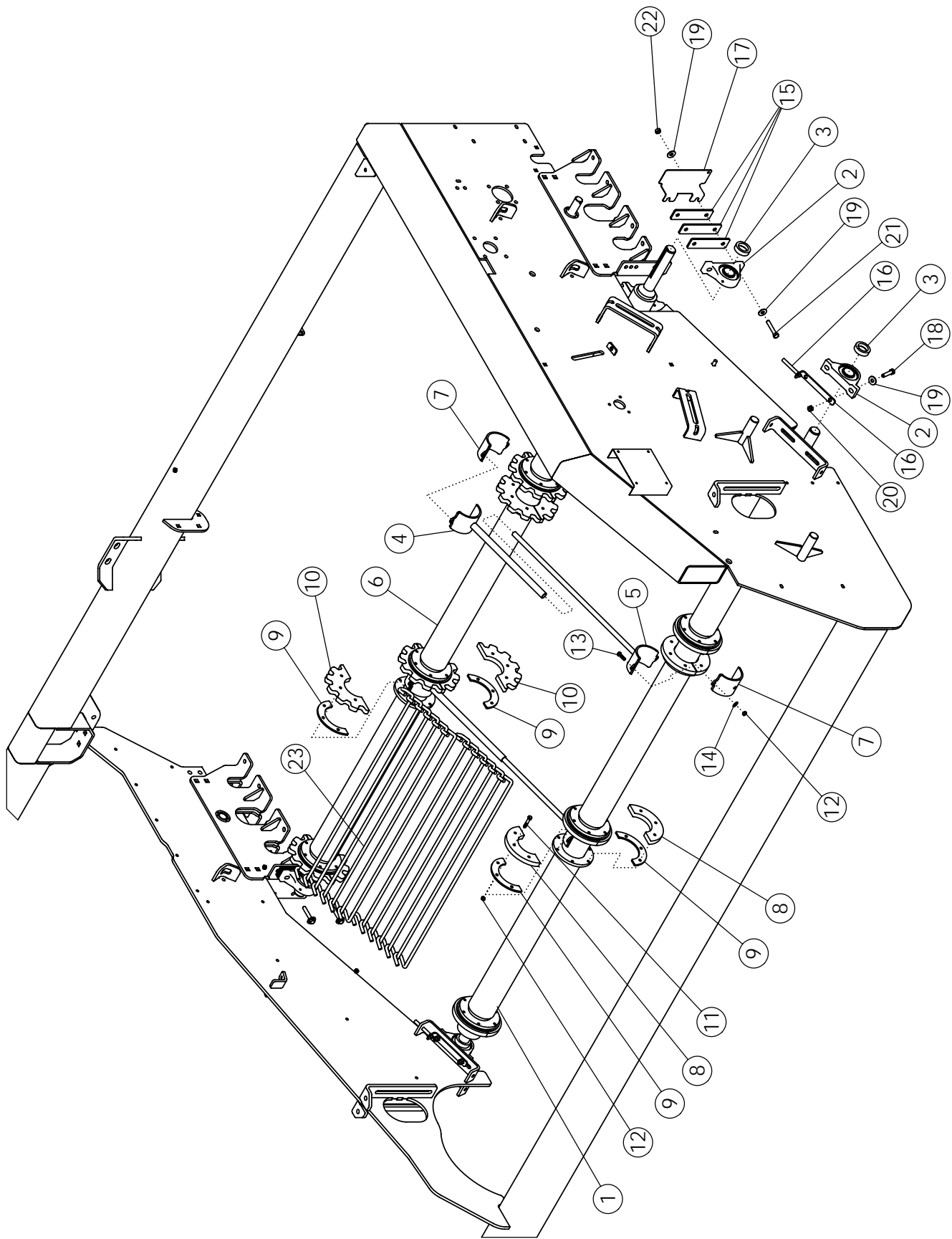
APRON SHAFT

ITEM	PART NO.	DESCRIPTION	QTY
1	63394	WLDMT- BOTTOM APRON SHAFT	1
2	52405	BEARING-PILLOW 1-3/4"	8
3	52382	SEAL PROTECTOR 1-3/4"	4
4	64162	WLDMT-UPPER FILLER	4
5	64161	WLDMT-LOWER FILLER	4
6	72555	WLDMT-TOP APRON SHAFT	1
7	64159	CLAMP-FILLER PAINTED	8
8	58322	HALF-DISC	24
9	62836	HALF DISC SPACER ZP	48
10	58318	SPROCKET-HALF 2.38	24
	63361	SPROCKET-SPLIT 2.205 (BELT ONLY)	
11	1011725	BOLT-HEX: .38 X 2.00 NC	144
	1011603	BOLT-HEX: .38 X 1.75 NC GR5 ZP (BELT ONLY)	
12	1016999	NUT-TOPLOCK: .38 NC GR5 ZP	160
13	64991	BOLT-HEX: .38 X 1.25 NC GR8 ZP	16
14	1011828	WASHER-FLAT .38 ZP	16
15	56672	SHIM-BEARING	12
16	72606	WLDMT-ADJUSTER LOWER APRON ZP	4
17	72472	GUARD-BELT	2
18	1017708	BOLT-HEX: .50 X 2.25 NC GR5 ZP	8
19	1014443	WASHER-FLAT: .50 ZP	24
20	1011577	NUT-HEX: .50 NC ZP	8
21	1011611	BOLT-HEX: .50 X 3.00 NC GR5 ZP	8
22	1027461	NUT-TOPLOCK: .50 NC GR5 ZP	16
23	53844	CHAIN .50 X 42 X 2.38	12
	59560	BELT .50 X 42 X 2.205 48LPR	6



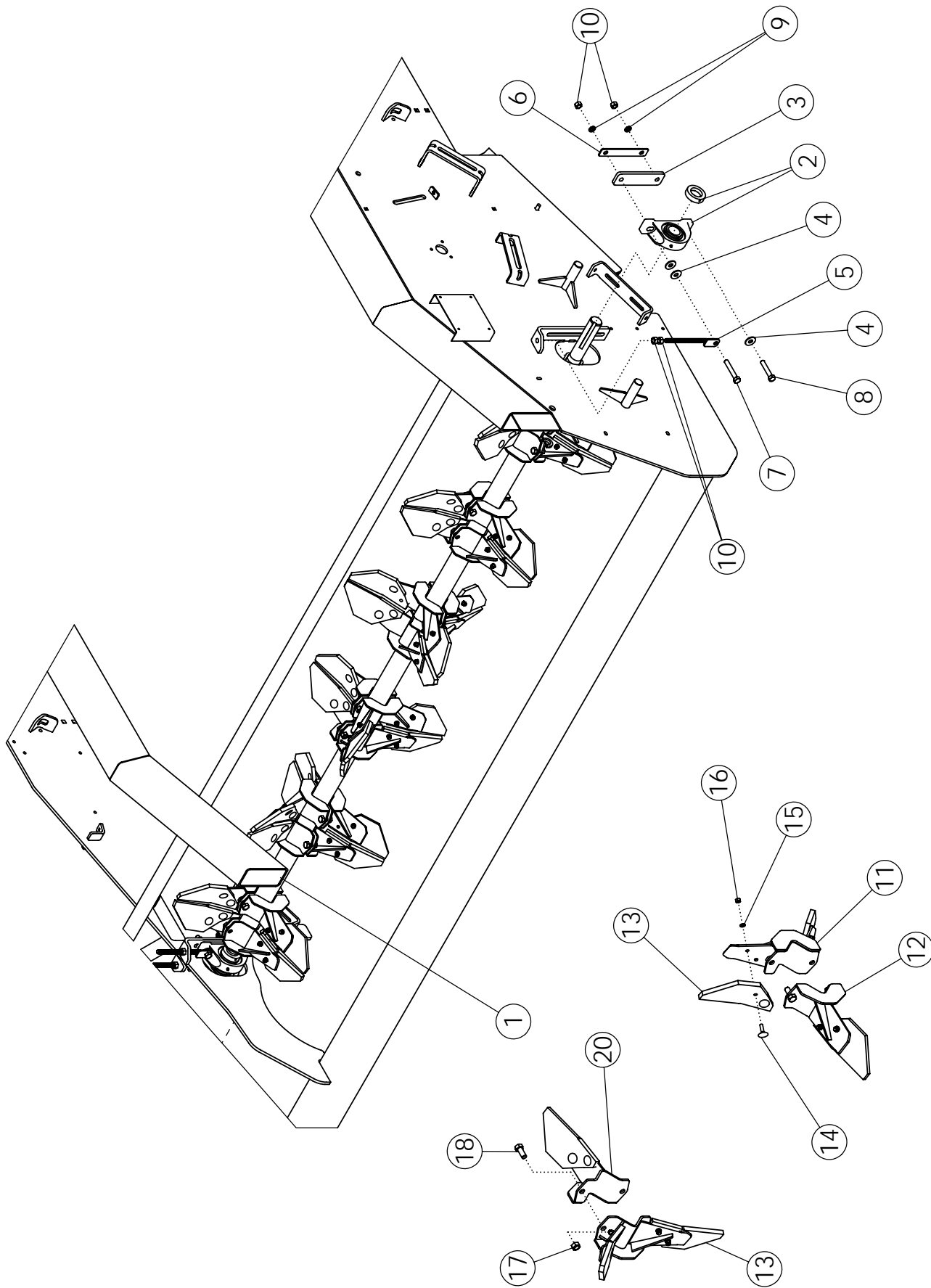
GUARDS AND SHIELDS REAR

ITEM	PART NO.	DESCRIPTION	QTY
1	72876	WLDMT-REAR DOOR LH	1
2	72878	WLDMT-REAR DOOR SUPPORT LH	1
3	72680	WLDMT-DOOR HINGE	2
4	72882	PLATE-DOOR LOCK BRKT	2
5	72883	WLDMT-DOOR LOCK	2
6	72895	WLDMT-DOOR RETAINER	2
7	72907	PLATE-DOOR TAB REAR	2
8	72692	PLATE-DOOR LOCK	2
9	72694	WLDMT-DOOR LOCK	2
10	51973	BUSHING-LINKAGE	4
11	65278	SPRING-SCRAPER	2
12	1011285	BOLT-HEX: .31 X 2.00 NC	2
13	1030700	NUT-TOPLOCK: .31 NC GR5 ZP	6
14	72702	WLDMT-GEARBOX COVER	1
15	53687	PIN-HAIR: .14 X 1.94 ZP	2
16	72820	WLDMT-REAR MOUNT 12R	2
17	58009	ROD ZP	18
18	58446	SPACER ZP	4
19	72822	PLATE-RETAINER STRIP 12R	2
20	1011608	BOLT-HEX: .50 X 1.75 NC GR5 ZP	8
21	1027461	NUT-TOPLOCK: .50 NC GR5 ZP	8
22	1011828	WASHER-FLAT .38 ZP	36
23	1011603	BOLT-HEX: .38 X 1.75 NC GR5 ZP	4
24	1016999	NUT-TOPLOCK: .38 NC GR5 ZP	52
25	72910	WLDMT-REAR SHIELD 12R	2
26	72441	PLATE-REAR SHIELD MNT	4
27	64364	U-BOLT: .38 X 5.13 X 6.00 X 5.13	4
28	1011600	BOLT-HEX: .38 X 1.00 NC GR5 ZP	8
29	72770	GUARD-REAR SCRUB LH	1
30	72771	GUARD-REAR SCRUB RH	1
31	72322	PIPE-THREADED	1
32	59488	BOLT-CRG: .38 X 1.00 NC GR5 ZP	6
33	1011813	WASHER-LOCK: .63 ZP	2
34	1032275	BOLT-HEX .63 X 1.00 NC GR5 ZP	2
35	72877	WLDMT-REAR DOOR RH	1
36	72879	WLDMT-REAR DOOR SUPPORT RH	1
37	1011601	BOLT-HEX: .38 X 1.25 NC GR5 ZP	1
38	1016362	BOLT-CRG: .38 X 1.25 NC GR5 ZP	4
39	51303	DOOR HINGE ROD ZP	1
40	65702	BOLT-CRG: .31 X .75 NC GR5 ZP	4
41	1011583	WASHER-FLAT: .31 ZP	4
42	51304	DOOR LOCK ZP	2



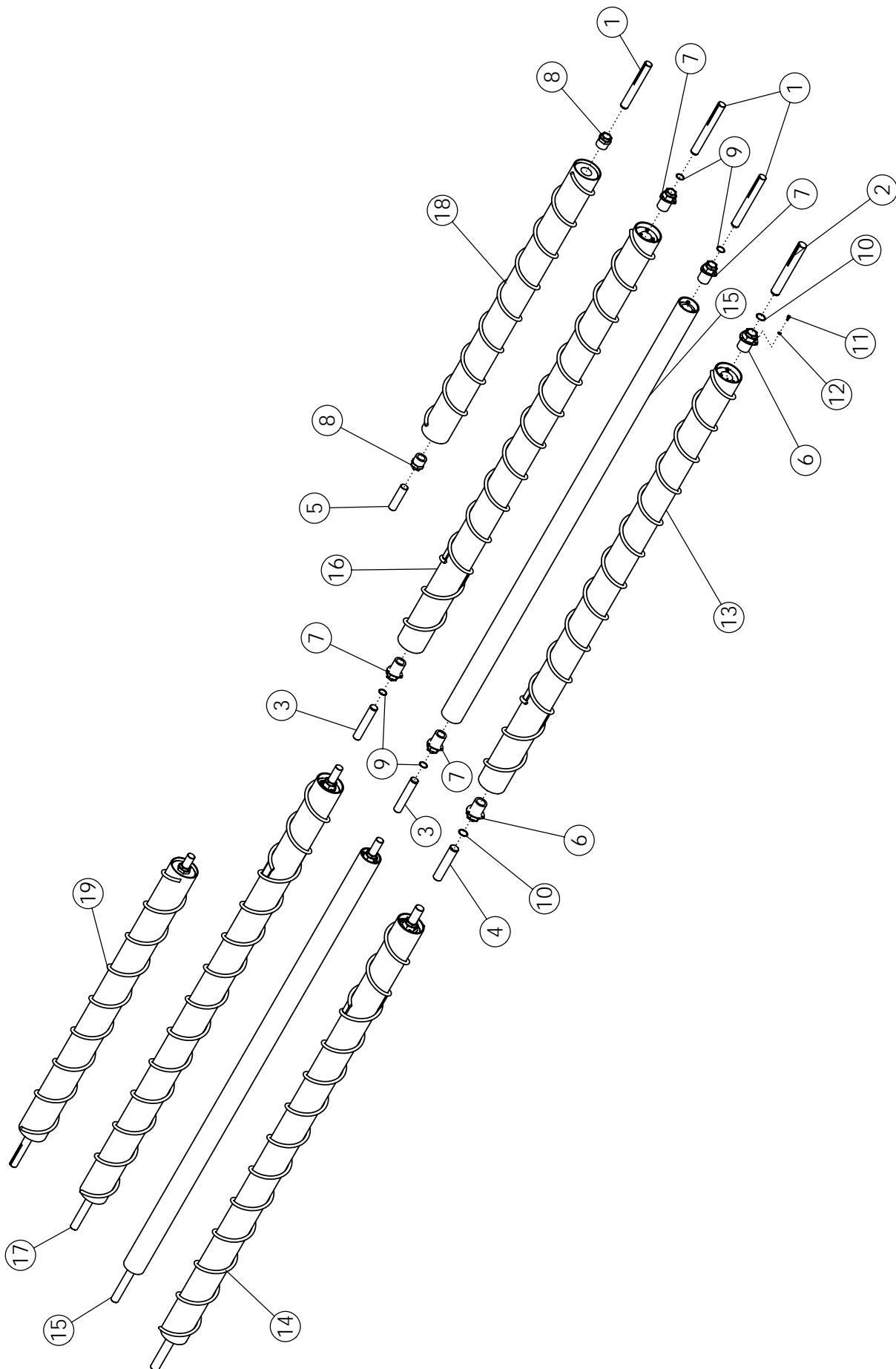
APRON SHAFT

ITEM	PART NO.	DESCRIPTION	QTY
1	63394	WLDMT- BOTTOM APRON SHAFT	1
2	52405	BEARING-PILLOW 1-3/4"	8
3	52382	SEAL PROTECTOR 1-3/4"	4
4	64162	WLDMT-UPPER FILLER	4
5	64161	WLDMT-LOWER FILLER	4
6	72555	WLDMT-TOP APRON SHAFT	1
7	64159	CLAMP-FILLER PAINTED	8
8	58322	HALF-DISC	24
9	62836	HALF DISC SPACER ZP	48
10	58318	SPROCKET-HALF 2.38	24
11	1011725	BOLT-HEX: .38 X 2.00 NC	144
12	1016999	NUT-TOPLOCK: .38 NC GR5 ZP	160
13	64991	BOLT-HEX: .38 X 1.25 NC GR8 ZP	16
14	1011828	WASHER-FLAT .38 ZP	16
15	56672	SHIM-BEARING	12
16	72606	WLDMT-ADJUSTER LOWER APRON ZP	4
17	72472	GUARD-BELT	2
18	1017708	BOLT-HEX: .50 X 2.25 NC GR5 ZP	8
19	1014443	WASHER-FLAT: .50 ZP	24
20	1011577	NUT-HEX: .50 NC ZP	8
21	1011611	BOLT-HEX: .50 X 3.00 NC GR5 ZP	8
22	1027461	NUT-TOPLOCK: .50 NC GR5 ZP	16
23	53844	CHAIN .50 X 42 X 2.38	12



PADDLE SHAFT

ITEM	PART NO.	DESCRIPTION	QTY
1	72035	WLDMT-PADDLE SHAFT 12R	2
2	57997	BEARING-PILLOW 2"	4
3	57996	SHIM-BEARING	4
4	1013024	WASHER-FLAT: .63 ZP	12
5	51365	TIGHTENER BOLT	4
6	57998	PLATE-BACKING	4
7	1016726	BOLT-HEX: .63 x 4.00 NC GR5 ZP	4
8	1014000	BOLT-HEX: .63 x 3.50 NC GR5 ZP	4
9	1011813	WASHER-LOCK: .63 ZP	8
10	1011578	NUT-HEX: .63 NC GR2 ZP	16
11	50719	WLDMT - PADDLE DOUBLE LH	12
12	50720	WLDMT - PADDLE LH SINGLE	12
13	51562	PADDLE-RUBBER	72
14	1030779	BOLT-ELEVATOR:.38 X 1.50 NC ZP	144
15	1011586	WASHER-LOCK: .38 ZP	144
16	1011576	NUT-HEX: .38 NC GR2 ZP	144
17	1016595	NUT-TOPLOCK: .63 NC GR5 ZP	72
18	1014349	BOLT-HEX: .63 x 1.50 NC GR5 ZP	72
19	50722	WLDMT - PADDLE DOUBLE RH	24
20	50721	WLDMT - PADDLE RH SINGLE	24



FRONT CLEANING ROLLS

ITEM	PART NO.	DESCRIPTION	QTY
------	----------	-------------	-----

PARTS COMMON TO ALL ROLLS

1	72542	SHAFT-DRIVE	6
2	72539	SHAFT-DRIVE	2
3	72543	SHAFT-IDLER	4
4	72540	SHAFT-IDLER	2
5	59471	SHAFT-IDLER	2
6	64165	TRANTORQUE 2.00 X 3.375	4
7	64163	TRANTORQUE 1.75 X 3.375	8
8	58459	TRANTORQUE 1.75 HD	2
9	64184	RING-RETAINING 1.75	8
10	64185	RING-RETAINING 2.00	4
11	1011599	BOLT-HEX: .38 X .75 NC GR5 ZP	36
12	1011586	WASHER-LCOK: .38 ZP	36

NUMBER ONE ROLL - - LEFT HAND (COMPLETE)

13	72533	ROLL-SPIRAL-STANDARD	1
	72547	ROLL-SPIRAL-POLY COATED	
	73022	WLDMT-#1 LH SCROLLED-12R-HRD-TT	

NUMBER ONE ROLL - - RIGHT HAND (COMPLETE)

14	72534	ROLL-SPIRAL-STANDARD	1
	72548	ROLL-SPIRAL-POLY COATED	
	72023	WLDMT-#1 RH SCROLLED-12R-HRD-TT	

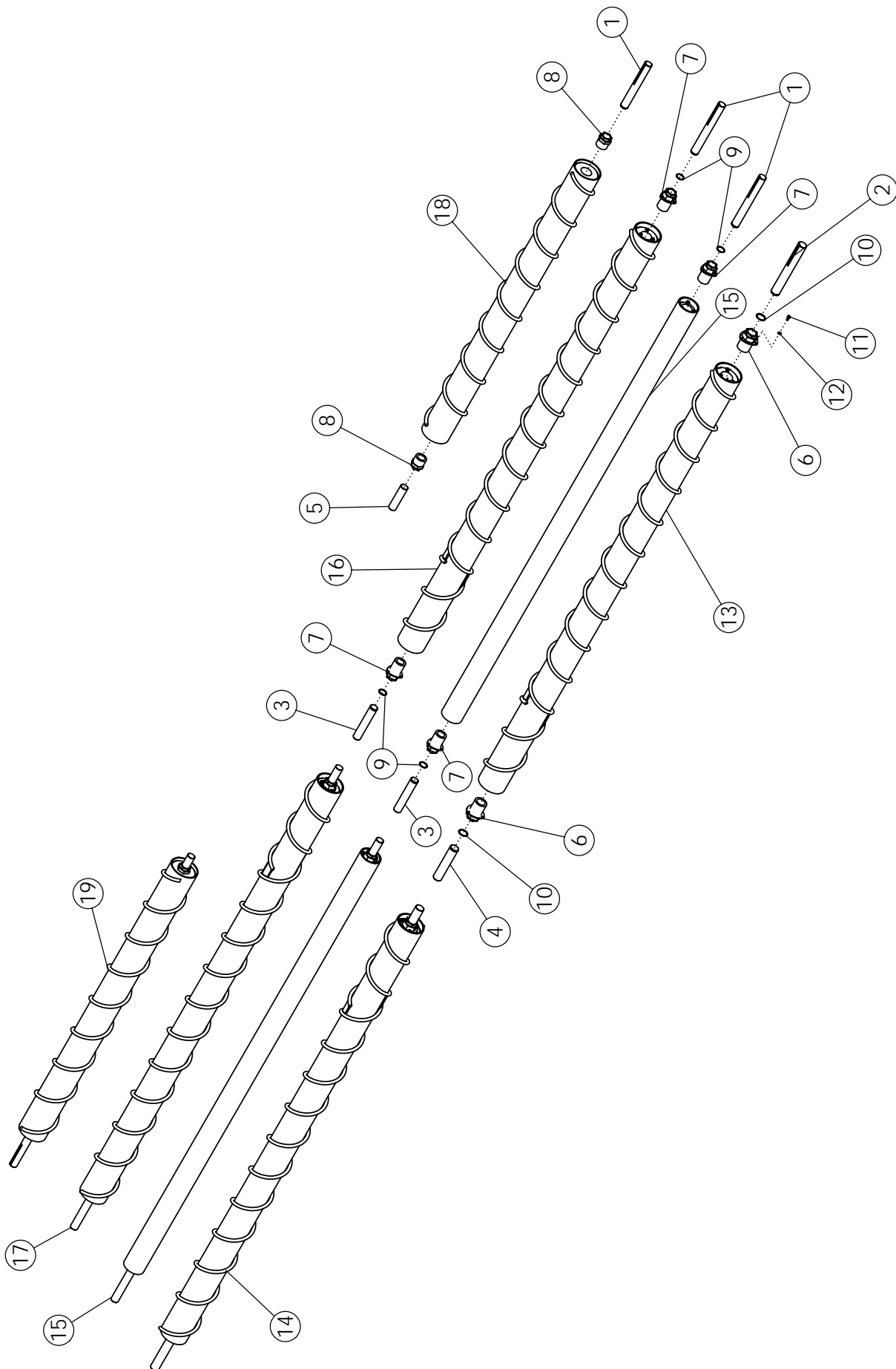
NUMBER TWO ROLL (COMPLETE)

15	72541	ROLL-SMOOTH-STANDARD	1
	72551	ROLL-SMOOTH-POLY COATED	

NUMBER THREE ROLL - -LEFT HAND (COMPLETE)

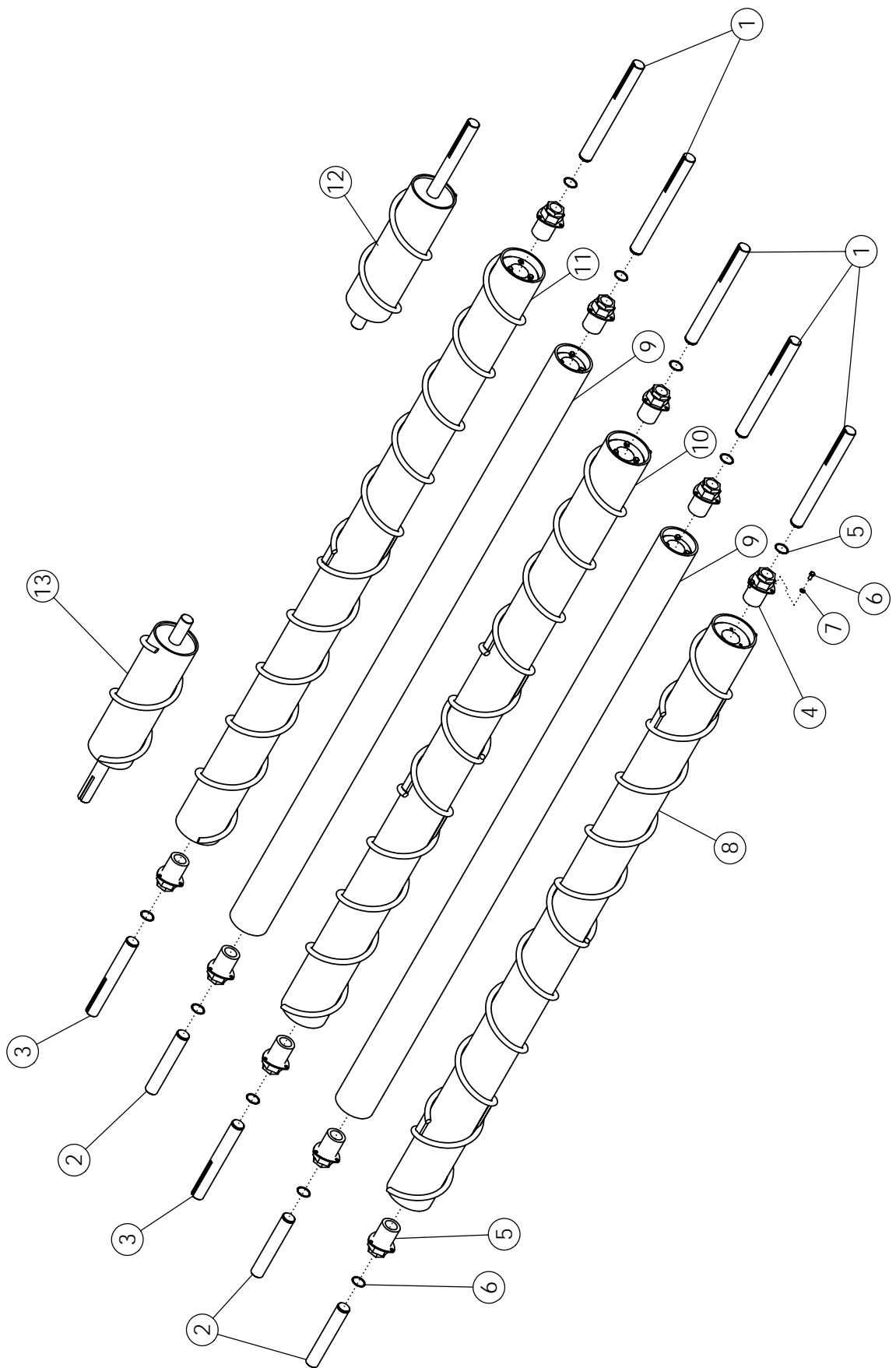
16	72544	ROLL-SPIRAL-STANDARD	1
	72553	ROLL-SPIRAL-POLY COATED	
	73024	WLDMT-#3 LH SCROLLED 12R-HRD-TT	

CONTINUED



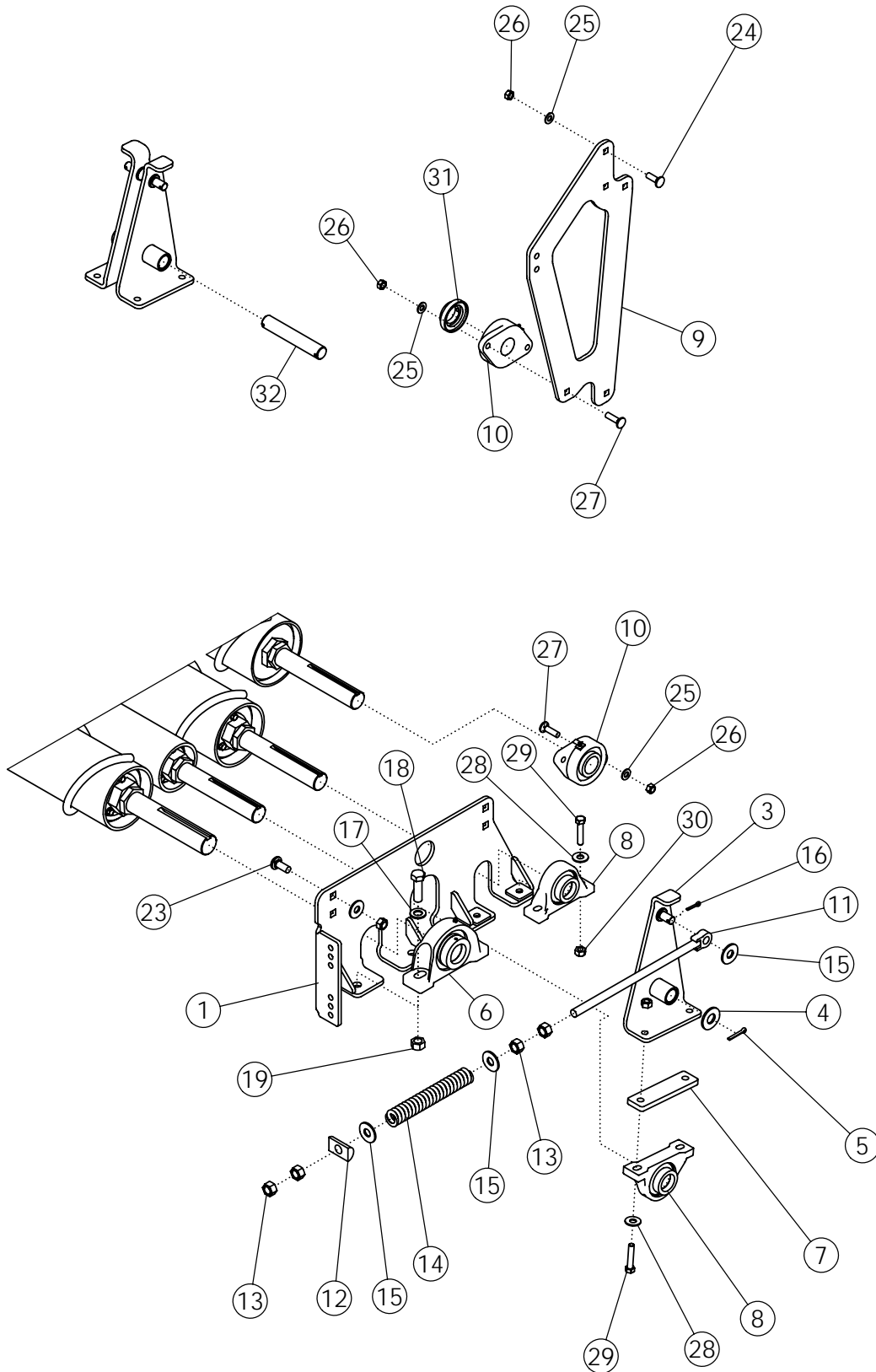
FRONT CLEANING ROLLS (CONTINUED)

ITEM	PART NO.	DESCRIPTION	QTY
<u>NUMBER THREE ROLL - - RIGHT HAND (COMPLETE)</u>			
17	72545	ROLL-SPIRAL-STANDARD	1
	72554	ROLL-SPIRAL-POLY COATED	
	73025	WLDMT-#3 RH SCROLLED-12R-HRD-TT	
<u>NUMBER FOUR ROLL - -LEFT HAND (COMPLETE)</u>			
18	72607	ROLL-SPIRAL-STANDARD	1
	72613	ROLL-SPIRAL-POLY COATED	
<u>NUMBER FOUR ROLL - - RIGHT HAND (COMPLETE)</u>			
19	72608	ROLL-SPIRAL-STANDARD	1
	72614	ROLL-SPIRAL-POLY COATED	



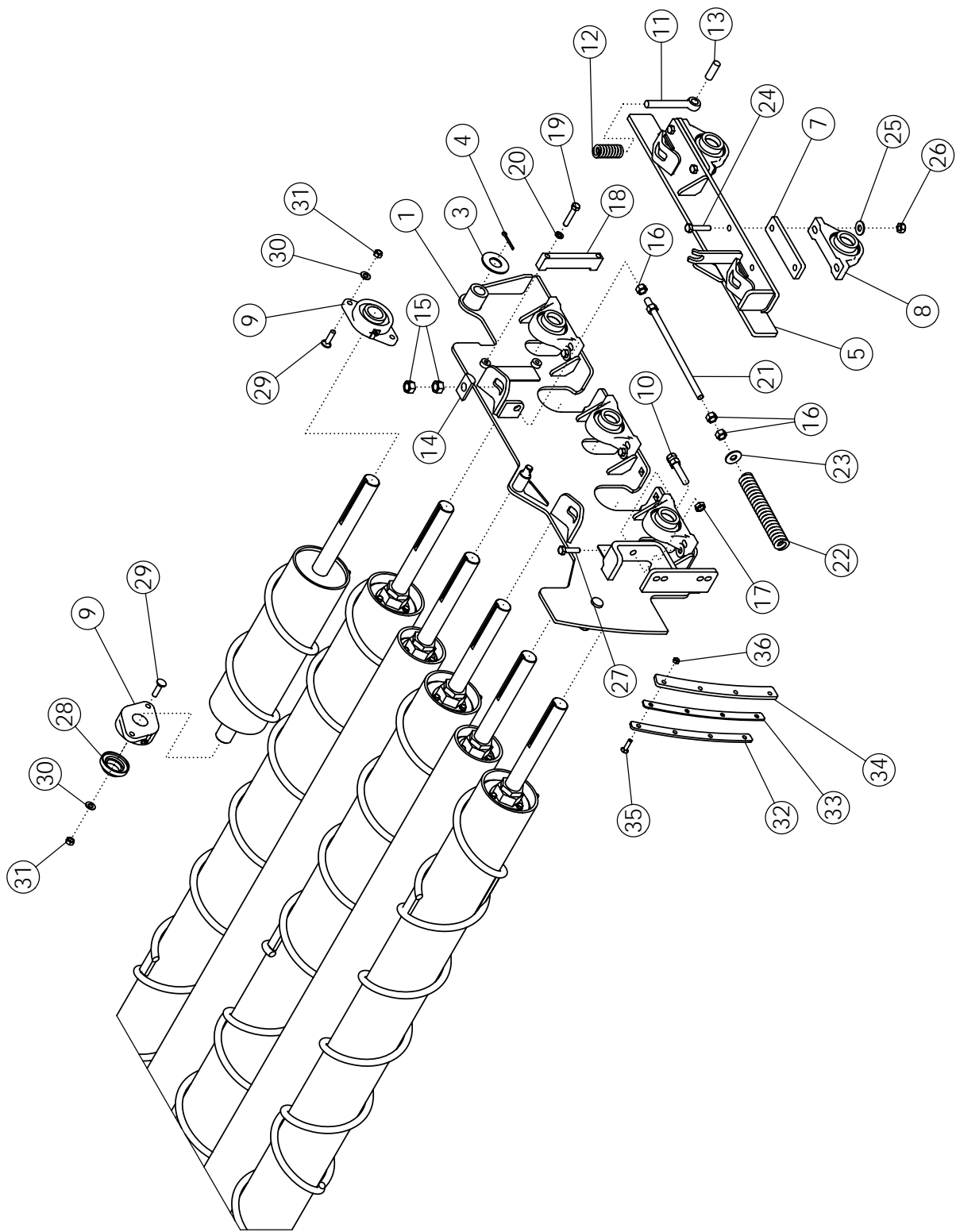
REAR CLEANING ROLLS

ITEM	PART NO.	DESCRIPTION	QTY
<u>PARTS COMMON TO ALL ROLLS</u>			
1	64177	SHAFT-DRIVE	5
2	64179	SHAFT-IDLER	3
3	64178	SHAFT-IDLER	2
4	64163	TRANTORQUE 1.75 X 3.375	10
5	64184	RING-RETAINING 1.75	10
6	1011599	BOLT-HEX: .38 X .75 NC GR5 ZP	30
7	1011586	WASHER-LCOK: .38 ZP	30
<u>NUMBER ONE ROLL (COMPLETE)</u>			
8	72561	ROLL-SPIRAL-STANDARD	1
	72578	ROLL-SPIRAL-POLY COATED	
<u>NUMBER TWO AND FOUR ROLL (COMPLETE)</u>			
9	72564	ROLL- SMOOTH-STANDARD	1
	72587	ROLL-SMOOTH-POLY COATED	
<u>NUMBER THREE ROLL (COMPLETE)</u>			
10	72567	ROLL-SPIRAL-STANDARD	1
	72580	ROLL-SPIRAL-POLY COATED	
<u>NUMBER FIVE ROLL (COMPLETE)</u>			
11	72568	ROLL-SPIRAL-STANDARD	1
	72582	ROLL-SPIRAL-POLY COATED	
<u>NUMBER SIX ROLL - - LEFT HAND (COMPLETE)</u>			
12	72595	ROLL-SPIRAL-STANDARD	1
	72602	ROLL-SPIRAL-POLY COATED	
<u>NUMBER SIX ROLL - - RIGHT HAND (COMPLETE)</u>			
13	72594	ROLL-SPIRAL-STANDARD	1
	72600	ROLL-SPIRAL-POLY COATED	



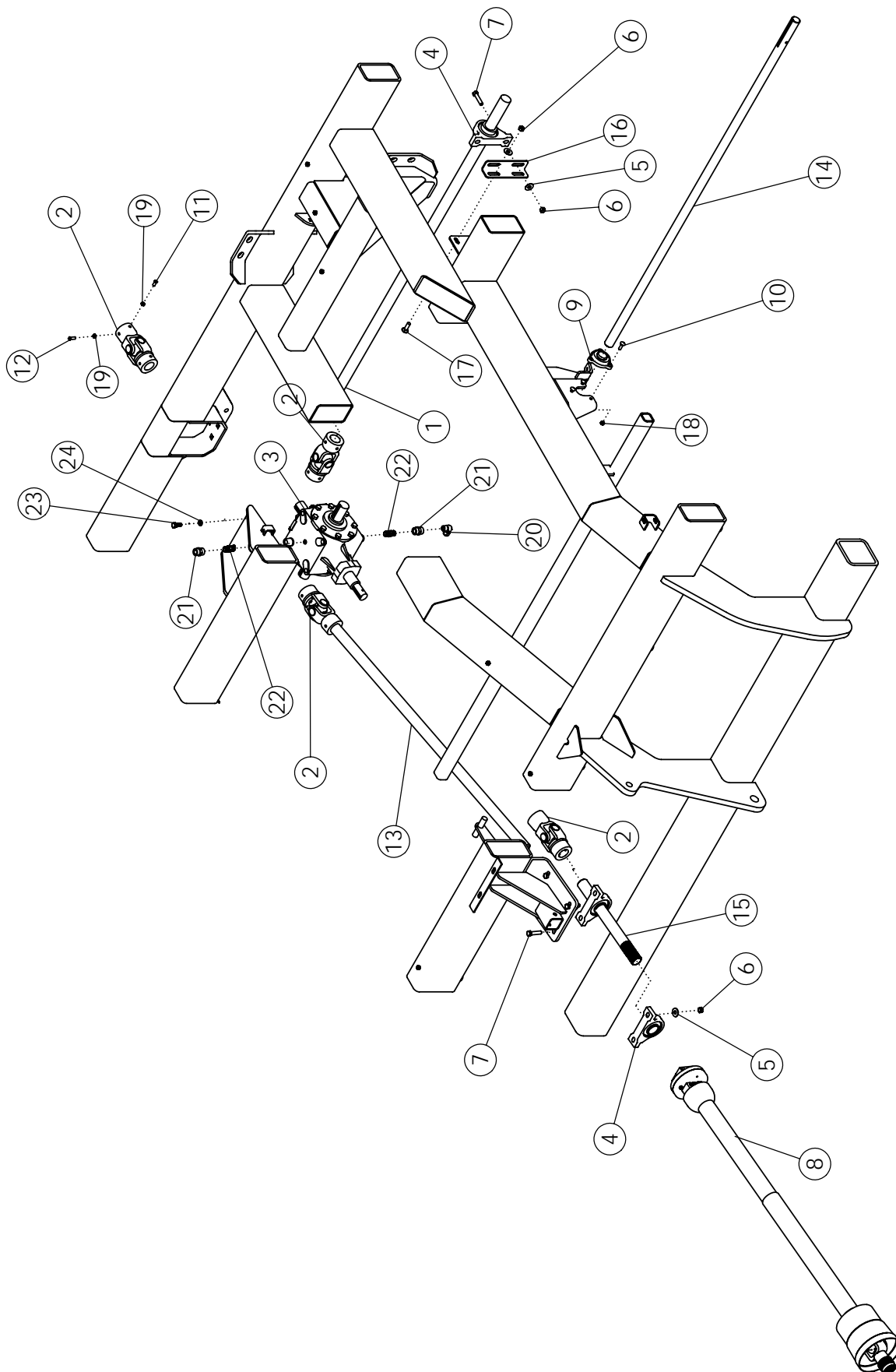
FRONT CLEANING ROLL MOUNTING PACKAGE

ITEM	PART NO.	DESCRIPTION	QTY
1	72634	WLDMT-MOUNT LH	2
2	72635	WLDMT-MOUNT RH (NOT SHOWN)	2
3	72067	WLDMT-#2 BEARING MOUNT	4
4	1016950	WASHER-FLAT: 1.25 ZP	4
5	1016944	PIN-COTTER: .25 X 2.00 ZP	4
6	57997	BEARING-PILLOW 2"	4
7	57792	SHIM-BEARING	4
8	52405	BEARING-PILLOW 1-3/4"	8
9	72631	MOUNT-#4 BEARING	2
10	62134	BEARING-FLANGE 1-3/4"	4
11	72064	ROD END .75 X 17.00	4
12	56680	HALF ROUND 1.5" ZP	4
13	1011620	NUT-HEX: .75 NC GR2 ZP	16
14	57878	SPRING 10"	4
15	1030702	WASHER-FLAT .75 ZP	12
16	1012375	PIN-COTTER .19 X 1.50 NP	4
17	1021584	WASHER-FLAT: SAE .75 ZP	8
18	1016598	BOLT-HEX: .75 X 2.50 NC GR5 ZP	8
19	1017000	NUT-TOPLOCK: .75 NC GR5 ZP	8
20	58635	BOLT-CRG: .63 X 2.00 NC GR5 ZP	4
21	1013024	WASHER-FLAT: .63 ZP	12
22	1016595	NUT-TOPLOCK: .63 NC GR5 ZP	12
23	72063	BOLT-CRG: .63 X 1.50 NC GR5 ZP	8
24	1011660	BOLT-CRG: .50 X 1.50 NC GR5 ZP	6
25	1011584	WASHER-FLAT: SAE .50 ZP	14
26	1027461	NUT-TOPLOCK: .50 NC GR5 ZP	14
27	59517	BOLT-CRG: .50 X 1.75 NC GR5 ZP	8
28	59104	WASHER-FLAT: .56 GR8 ZP	16
29	59103	BOLT-HEX: .56 X 2.50 NC GR8 ZP	16
30	59105	NUT-TOPLOCK: .56 NC GR8 ZP	16
31	52383	LOCK PROTECTOR 1-3/4"	2
32	73008	SHAFT-#2 GRABROLL MOUNT	1



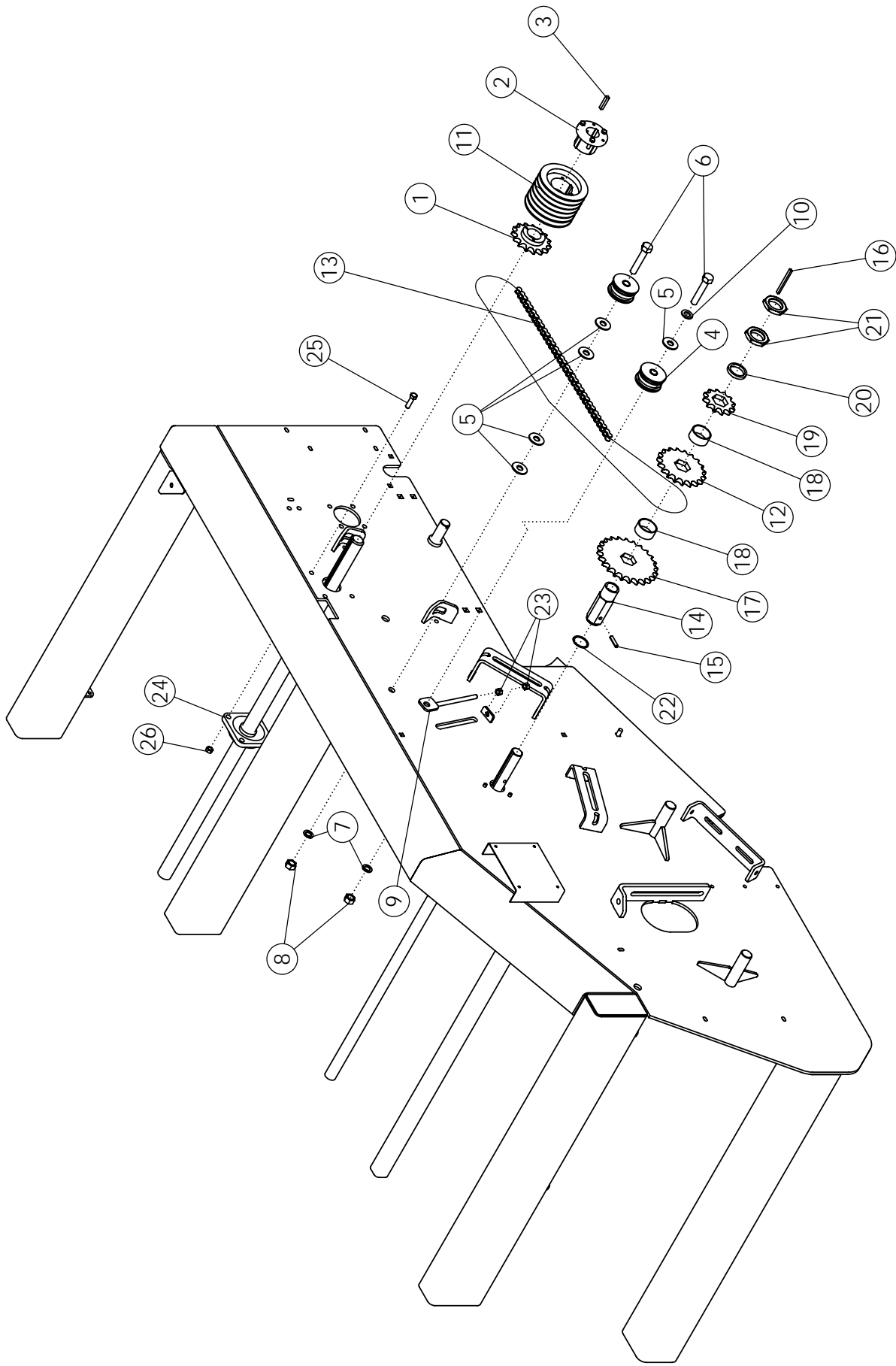
REAR CLEANING ROLL MOUNTING PACKAGE

ITEM	PART NO.	DESCRIPTION	QTY
1	72737	WLDMT-REAR MOUNT 12R LH	1
2	72738	WLDMT-REAR MOUNT 12R RH (NOT SHOWN)	1
3	1013431	WASHER-FLAT: 1.25 ZP	2
4	1016727	PIN-COTTER: .25 X 2.50 NP	2
5	56681	WLDMT-SLIDE MNT LH	1
6	56682	WLDMT-SLIDE MNT RH (NOT SHOWN)	1
7	57792	SHIM-BEARING	4
8	52405	BEARING-PILLOW 1-3/4"	10
9	62134	BEARING-FLANGE 1-3/4"	4
10	1032273	BOLT-TAP: .63 X 3.50 NC GR5 ZP	2
11	56814	ROD END .75 X 6.00	4
12	57877	SPRING 3" (RIGHT SIDE ONLY)	2
13	56675	ROD ZP	4
14	56680	HALF ROUND 1.5" ZP	4
15	1011620	NUT-HEX: .75 NC GR2 ZP	8
16	1011578	NUT-HEX: .63 NC GR2 ZP	6
17	1026259	NUT-JAM: .63 NC GR2 ZP	4
18	56677	PLATE-RETAINING	2
19	1011610	BOLT-HEX: .50 x 2.50 NC GR5 ZP	4
20	1011581	WASHER-LOCK: .50 ZP	4
21	56815	WLDMT-BOLT & NUT ZP	2
22	57878	SPRING 10"	2
23	1013024	WASHER-FLAT: .63 ZP	2
24	59103	BOLT-HEX: .56 X 2.50 NC GR8 ZP	8
25	59104	WASHER-FLAT: .56 GR8 ZP	20
26	59105	NUT-TOPLOCK: .56 NC GR8 ZP	20
27	59102	BOLT-HEX: .56 X 2.00 NC GR8 ZP	12
28	52383	LOCK PROTECTOR 1-3/4"	2
29	59517	BOLT-CRG: .50 X 1.75 NC GR5 ZP	8
30	1011584	WASHER-FLAT: SAE .50 ZP	8
31	1027461	NUT-TOPLOCK: .50 NC GR5 ZP	8
32	72744	PLATE-ROLL GUIDE BASE	2
33	72745	PLATE-ROLL GUIDE BASE	2
34	72746	PLATE-ROLL GUIDE BASE	2
35	58679	BOLT-CRG: .38 X 1.50 NC GR5 ZP	8
36	1016999	NUT-TOPLOCK: .38 NC GR5 ZP	8



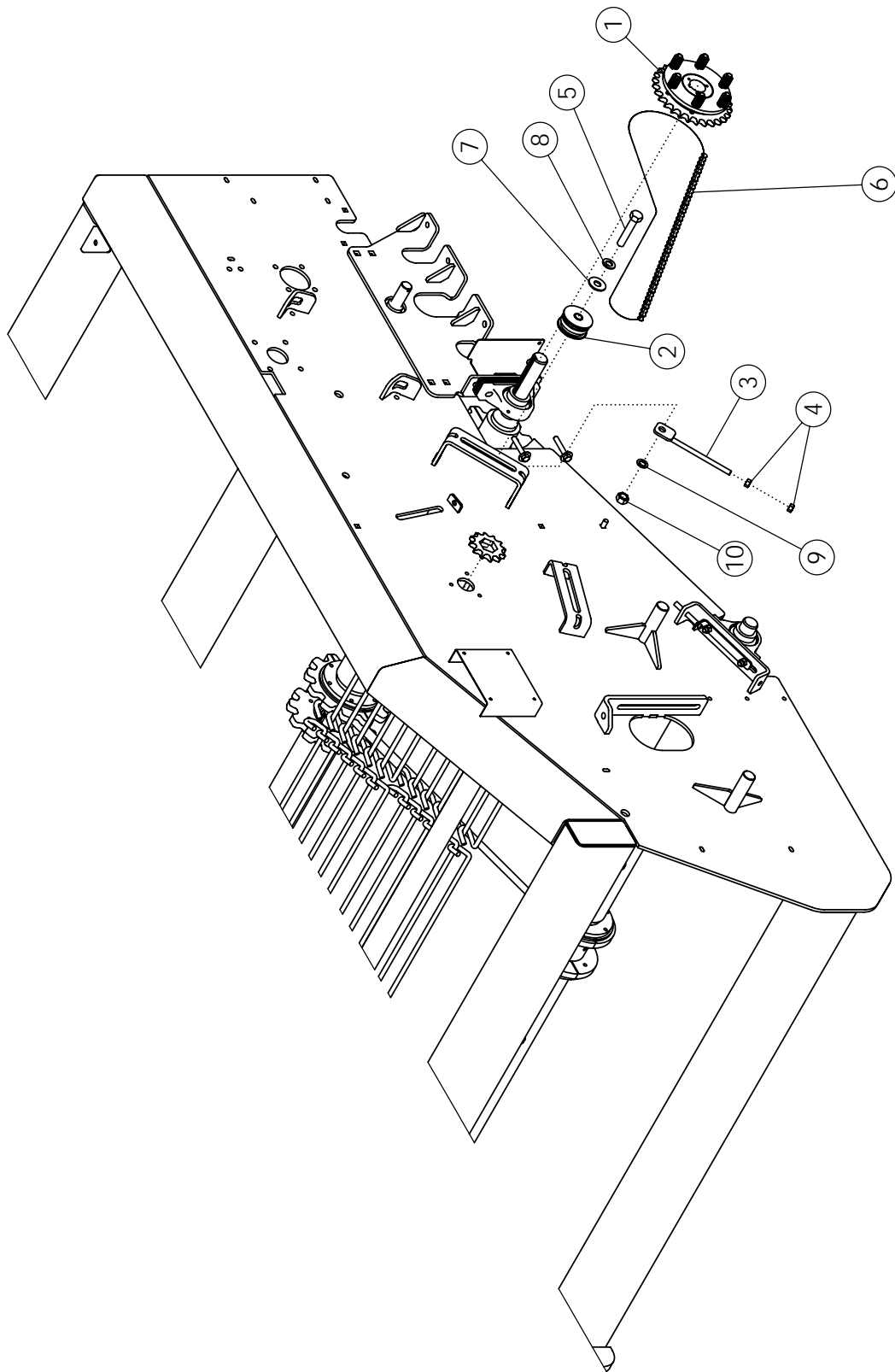
MAIN DRIVE

ITEM	PART NO.	DESCRIPTION	QTY
1	72095	SHAFT-DRIVE CROSS 12R	2
2	53642	U-JOINT	5
3	72912	GEARBOX-PRARIE 1.81:1 4 WAY	1
4	52405	BEARING-PILLOW 1.75"	4
5	1014443	WASHER-FLAT: .50 ZP	10
6	1027461	NUT-TOPLOCK: .50 NC GR5 ZP	10
7	1017708	BOLT-HEX: .50 X 2.25 NC GR5 ZP	4
8	51481	PTO-CV 1.75" WEASLER (HRV)	1
9	53662	BEARING-FLANGE 1.44	4
10	1016362	BOLT-CRG: .38 X 1.25 NC GR5 ZP	12
11	1030708	SCREW-SET: C-P .38 X .75 NC GR8	10
12	1030709	SCREW-SET: C-P .38 X 1.00 NC GR8	10
13	72094	SHAFT-DRIVE 12R	1
14	72081	SHAFT-DRIVE LH SHORT	2
15	72078	SPLINE SHAFT	1
16	68274	PLATE-BEARING SUPPORT	2
17	1011660	BOLT-CRG: .50 X 1.50 NC GR5 ZP	4
18	1016999	NUT-TOPLOCK: .38 NC GR5 ZP	12
19	1013519	NUT-JAM: .38 NC GR2 ZP	2
20	64033	FTG-ELBOW: 8MP-8FP 90	1
21	55730	FTG-ADAPTER: 8MP-8MP	2
22	55763	FTG-ADAPTER: 8FP-8FP	2
23	1011606	BOLT-HEX: .50 X 1.25 NC GR5 ZP	4
24	1011581	WASHER-LOCK: .50 ZP	4



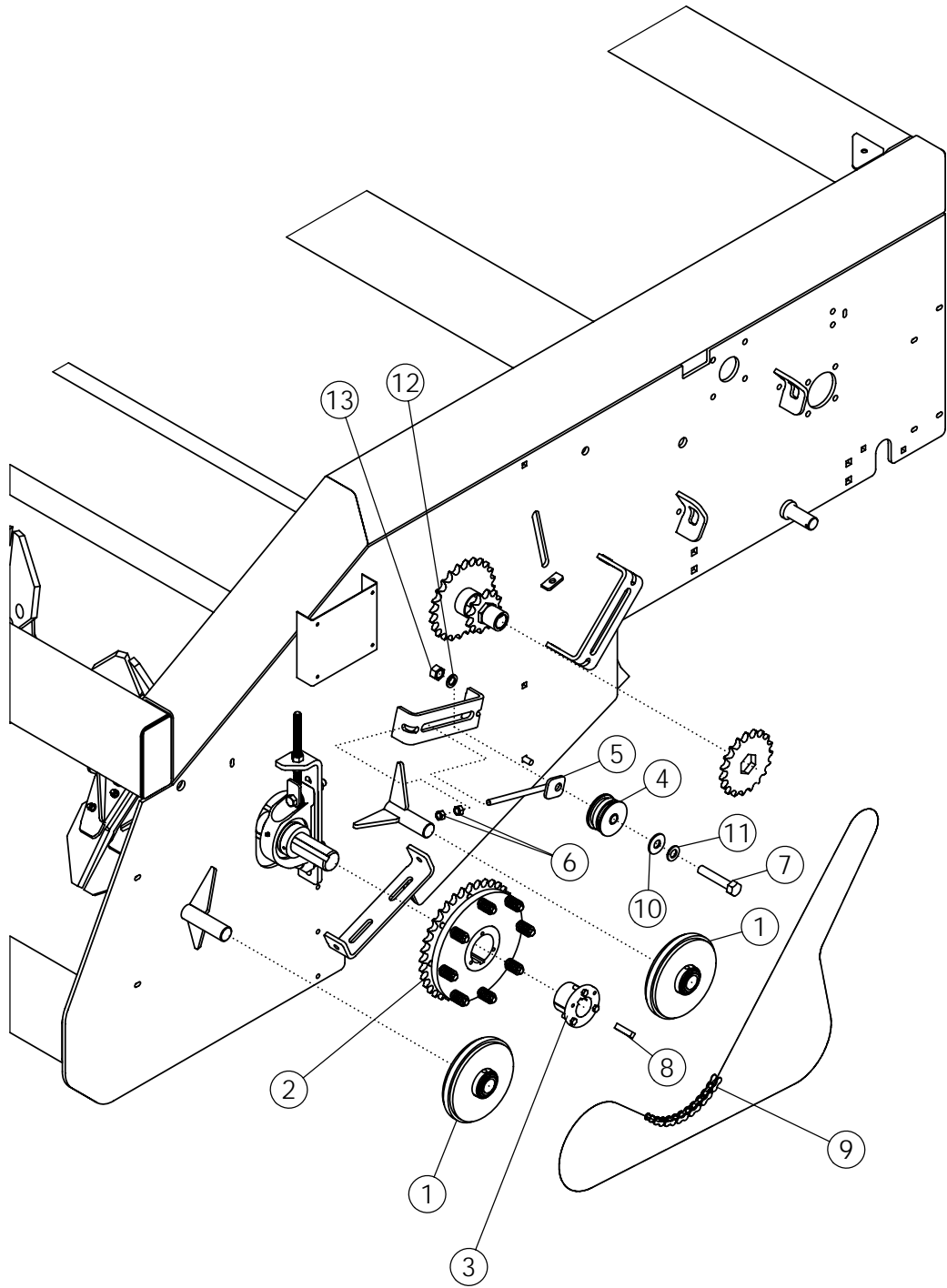
MAIN DRIVE - SIDE COMPONENTS

ITEM	PART NO.	DESCRIPTION	QTY
1	64155	SPROCKET H80-P15	2
2	50335	HUB Q1 1.75"	2
3	50152	KEY .38 X .38 X 2.00	2
4	72080	IDLEMASTER .75	4
5	1030702	WASHER-FLAT .75 ZP	10
6	1011625	BOLT-HEX: .75 X 4.00 NC GR5 ZP	4
7	1012061	WASHER-LOCK: .75 ZP	4
8	1011620	NUT-HEX: .75 NC GR2 ZP	4
9	56864	ADJUSTOR - ZP	2
10	1012634	WASHER-FLAT: SAE .75 ZP	2
11	56646	SHEAVE 6TB62	2
12	72088	SPROCKET 8019 HEX BORE	2
13	72091	CHAIN-ROLLER 80H-1R-94	2
14	72082	HUB-HEX SPROCKET	2
15	72084	PIN-ROLL: .25 X 2.25 NP	2
16	72085	KEY .38 X .38 X 2.00	2
17	72086	SPROCKET 8024 HEX BORE	2
18	72087	SPACER	4
19	72089	SPROCKET 8012 HEX BORE	2
20	72470	TUBE-SPACER	2
21	72090	NUT-JAM 1.88-16UN 2B ZP	4
22	72083	RING-RETAINING	2
23	1011577	NUT-HEX: .50 NC ZP	4
25	52404	BEARING-FLANGE 1.75	2
24	1011608	BOLT-HEX: .50 X 1.75 NC GR5 ZP	8
26	1027461	NUT-TOPLOCK: .50 NC GR5 ZP	8



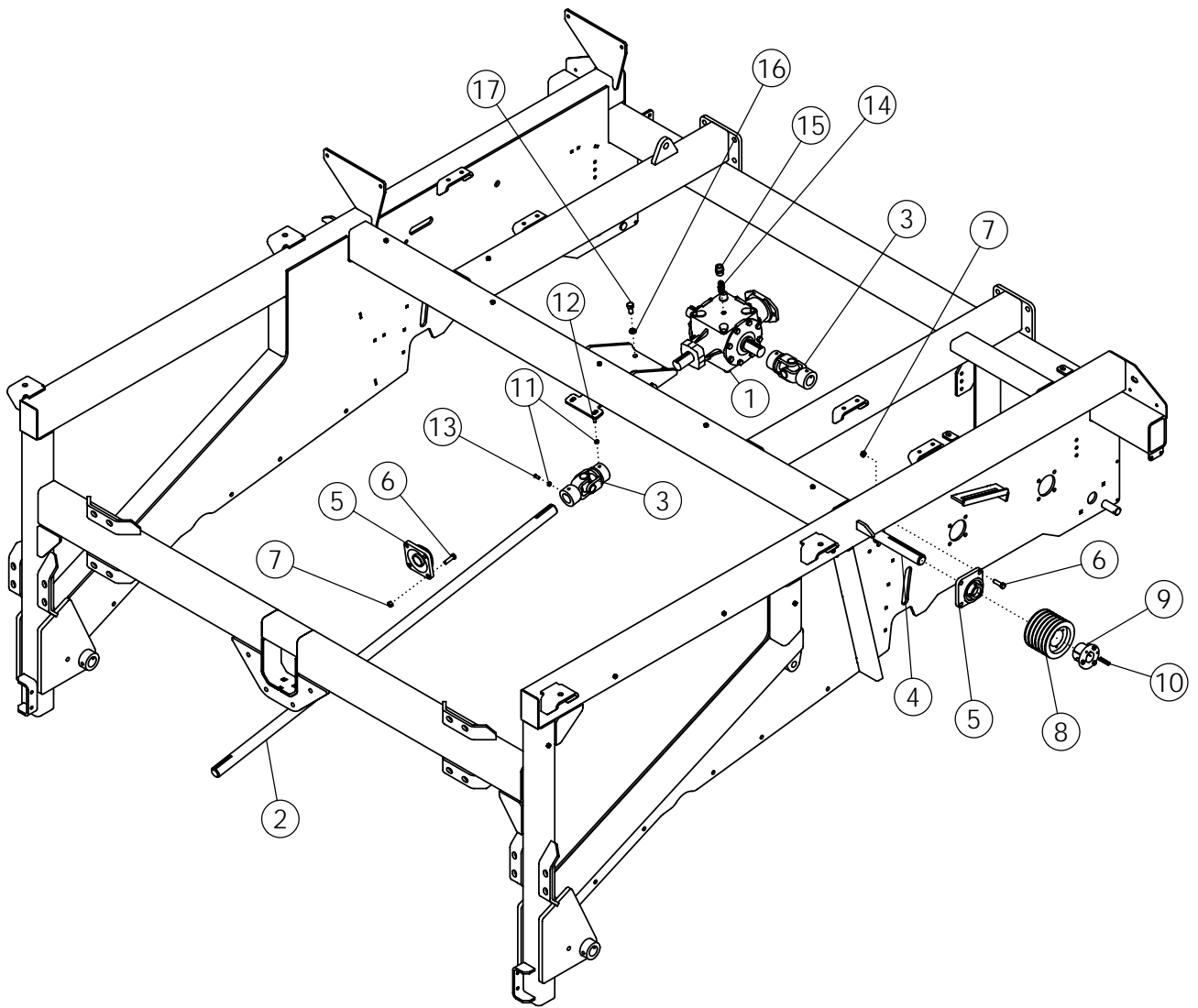
APRON SHAFT DRIVE

ITEM	PART NO.	DESCRIPTION	QTY
1	72030	SPROCKET-CLUTCH 80P28 PRESET	1
2	72080	IDLEMASTER X .75	1
3	56864	ADJUSTOR - ZP	1
4	1011577	NUT-HEX: .50 NC ZP	2
5	1011625	BOLT-HEX: .75 X 4.00 NC GR5 ZP	1
6	72093	CHAIN-ROLLER 80H-1R-85	1
7	1030702	WASHER-FLAT .75 ZP	1
8	1012634	WASHER-FLAT: SAE .75 ZP	1
9	1012061	WASHER-LOCK: .75 ZP	1
10	1011620	NUT-HEX: .75 NC GR2 ZP	1



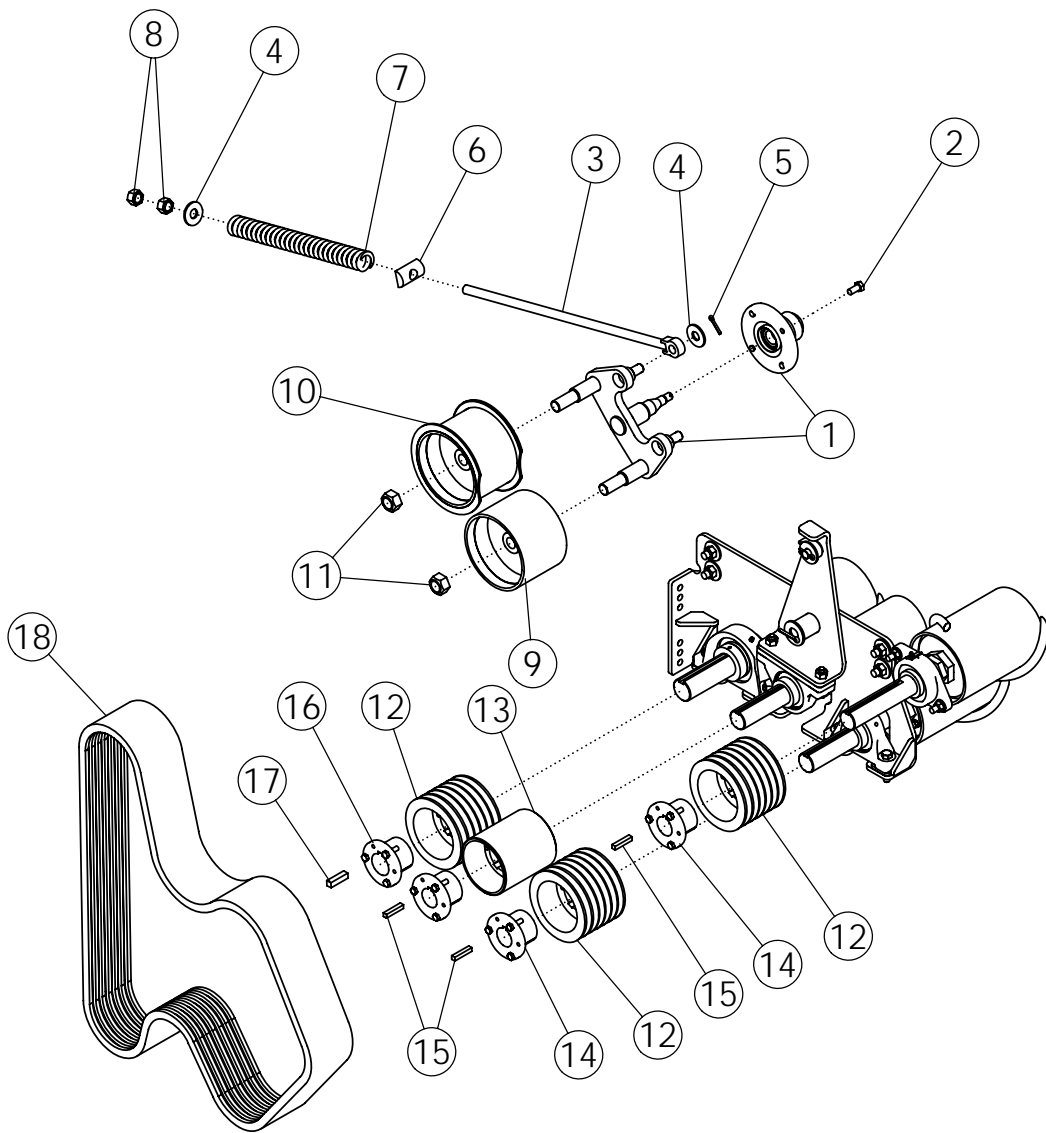
PADDLE SHAFT DRIVE

ITEM	PART NO.	DESCRIPTION	QTY
1	56851	SPROCKET-IDLER H8025 X 1.44	4
2	57993	SPROCKET-CLUTCH 80Q36 PRESET	2
3	50385	HUB Q1 2"	2
4	72080	IDLEMASTER X .75	2
5	56864	ADJUSTER - ZP	2
6	1011577	NUT-HEX: .50 NC ZP	2
7	1011625	BOLT- .75 X 4.00 NC GR5 ZP	1
8	57995	KEY .50 X .50 X 2.00	1
9	72092	CHAIN-ROLLER 80H-1R-122	1
10	1030702	WASHER-FLAT .75 ZP	2
11	1012634	WASHER-FLAT: SAE .75 ZP	1
12	1012061	WASHER-LOCK: .75 ZP	1
13	1011620	NUT-HEX: .75 NC GR2 ZP	1



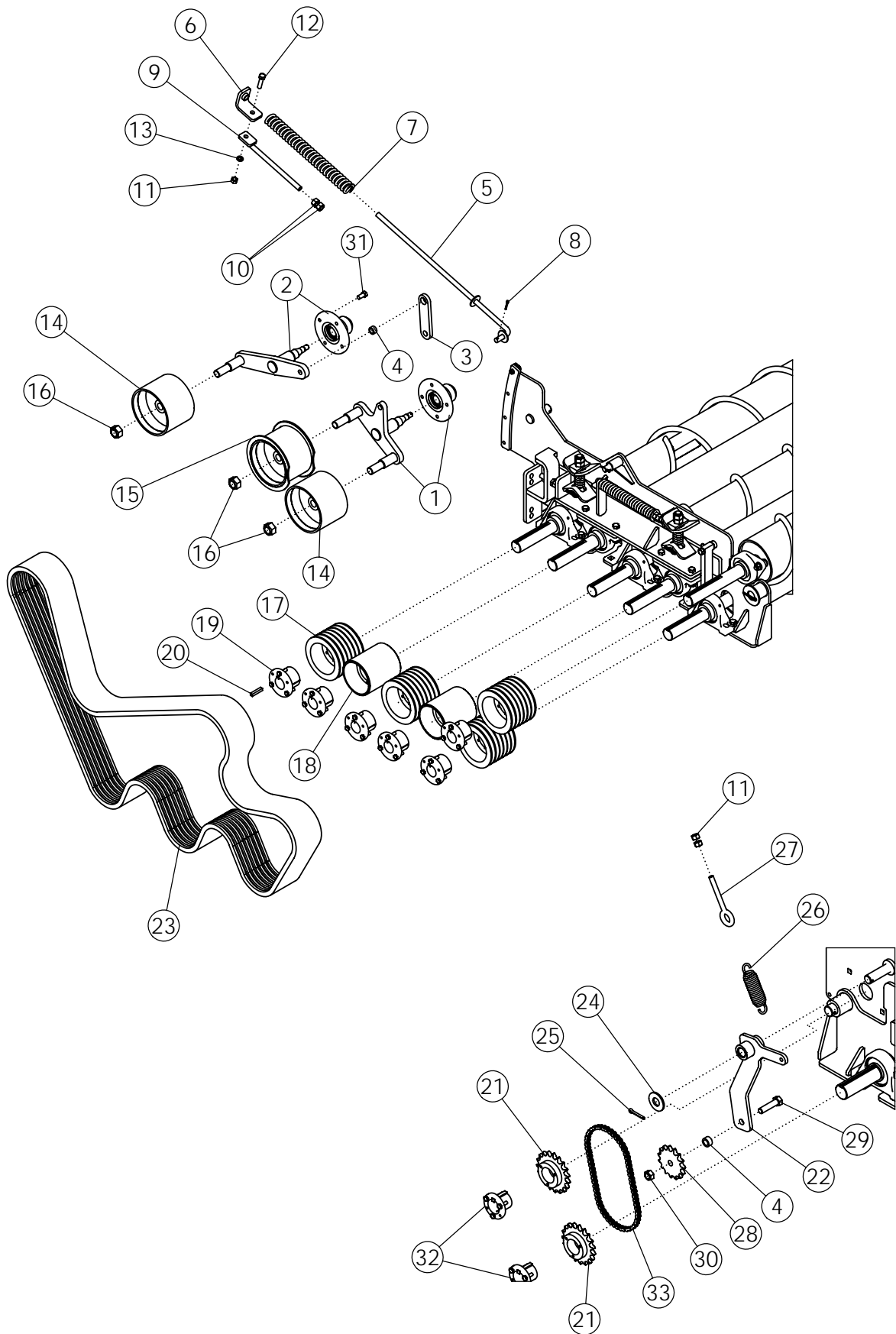
MAIN DRIVE REAR

ITEM	PART NO.	DESCRIPTION	QTY
1	62015	GEARBOX-PRAIRIE (1.81:1) C-MOUNT	1
2	72806	SHAFT-DRIVE 12R	1
3	53642	U-JOINT	2
4	72755	SHAFT-REAR DRIVE 12R	1
5	52404	BEARING-FLANGE 1.75	2
6	1011608	BOLT-HEX: .50 X 1.75 NC GR5 ZP	8
7	1027461	NUT-TOPLOCK: .50 NC GR5 ZP	8
8	56646	SHEAVE 6TB62	1
9	50335	HUB Q1 1.75	1
10	50152	KEY .38 X .38 X 2.00	1
11	1013519	NUT-JAM: .38 NC GR2 ZP	4
12	1030709	SCREW-SET: C-P .38 X 1.00 NC GR8	2
13	1030708	SCREW-SET: C-P .38 X .75 NC GR8	2
14	55763	FTG-ADAPTER: 8FP-8FP	1
15	55730	FTG-ADAPTER: 8MP-8MP	1
16	1011813	WASHER-LOCK: .63 ZP	4
17	1032509	BOLT-HEX .63 X 1.25 NC GR5 ZP	4



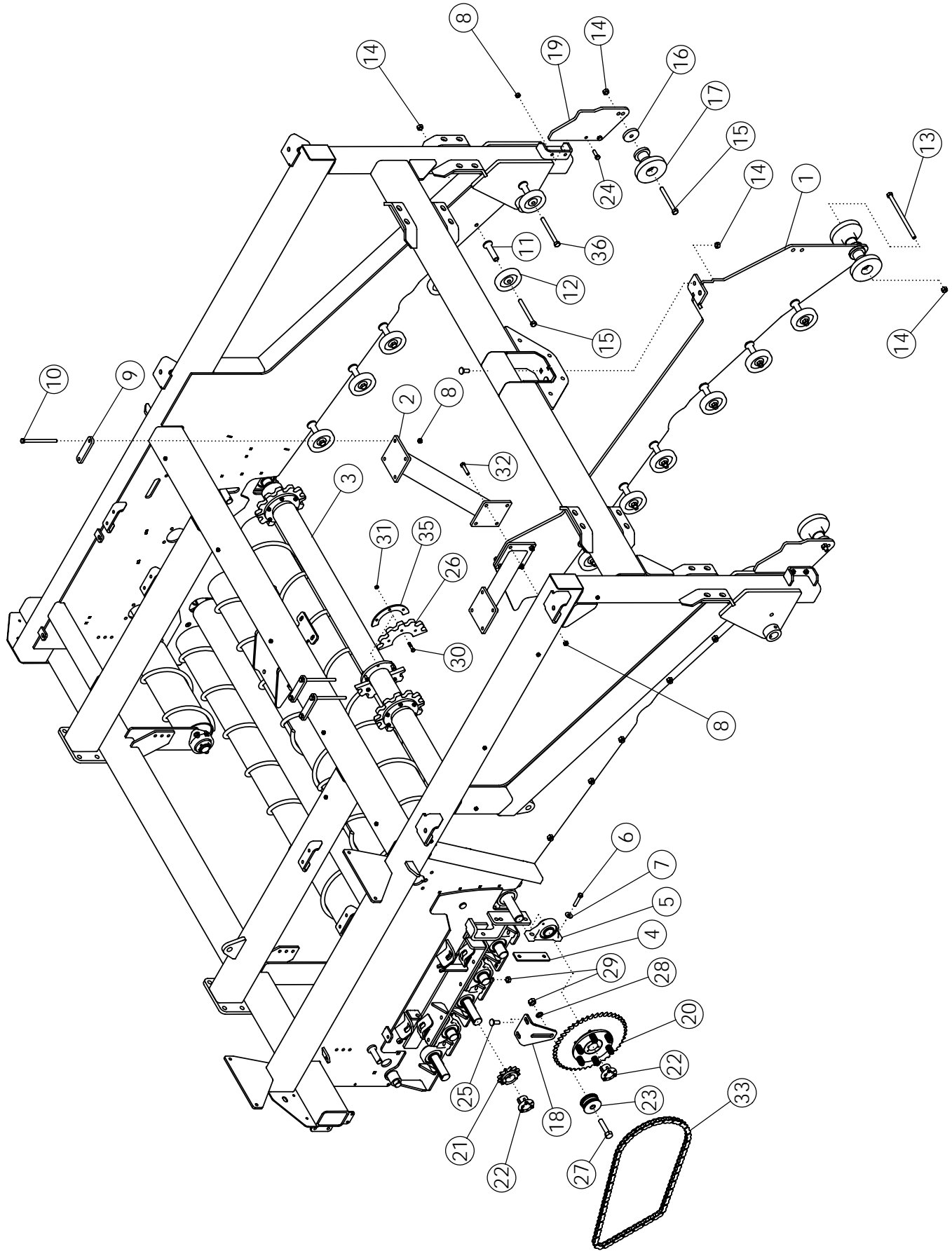
FRONT CLEANING ROLL DRIVE

ITEM	PART NO.	DESCRIPTION	QTY
1	72058	ASSY-SPINDLE & HUB	2
2	1015558	BOLT-HEX: .50 X 1.00 NF GR5 ZP	8
3	72057	ROD END .75 X 27.50	2
4	1030702	WASHER-FLAT .75 ZP	4
5	1012375	PIN-COTTER .19 X 1.50 NP	2
6	56680	HALF ROUND 1.5" ZP	2
7	56853	SPRING-BLACK	2
8	1011620	NUT-HEX: .75 NC GR2 ZP	4
9	50387	WLDMT-IDLER	2
10	57933	WLDMT- IDLER	2
11	1016969	NUT-TOPLOCK: 1.00 NC GR5 ZP	4
12	56646	SHEAVE 6TB62	6
13	56396	WLDMT-PULLEY 6R	2
14	50335	HUB Q1 1-3/4"	6
15	50152	KEY .38 X .38 X 2.00	6
16	50385	HUB Q1 2"	2
17	57995	KEY .50 X .50 X 2.00	2
18	72056	V-BELT 6B108	2



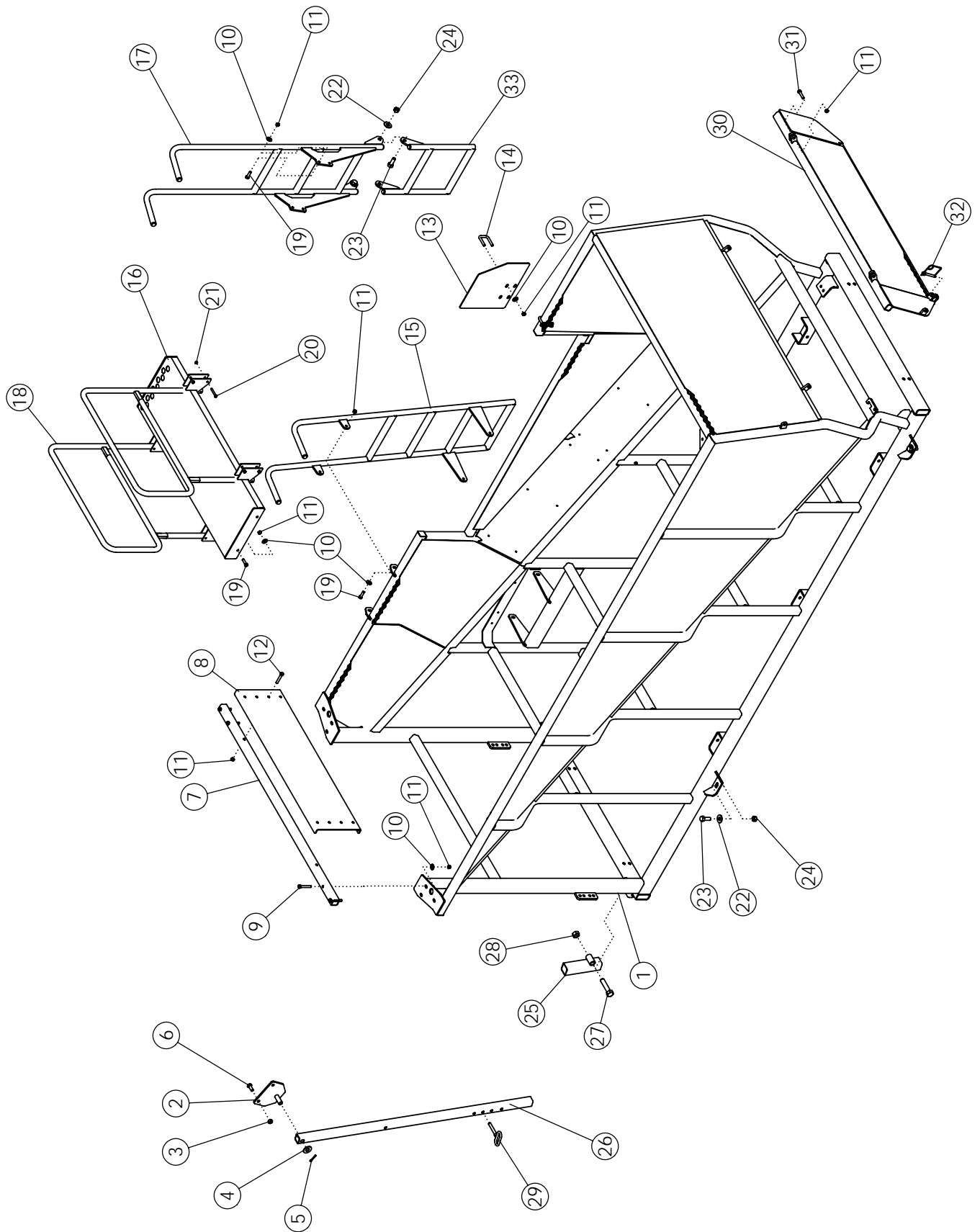
REAR CLEANING ROLL DRIVE

ITEM	PART NO.	DESCRIPTION	QTY
1	72753	ASSY-REAR TENSION IDLER	1
2	72749	ASSY-REAR IDLER	1
3	72153	LINK-REAR IDLER	1
4	53449	SLEEVE-HINGE	2
5	56711	ROD-PLATED	1
6	56708	HOLDER-PLATED	1
7	56853	SPRING-BLACK	1
8	1019827	PIN-COTTER .19 X 1.00 NP	1
9	56707	ADJUSTMENT ROD ZP	1
10	1011578	NUT-HEX: .63 NC GR2 ZP	2
11	1011577	NUT-HEX: .50 NC ZP	3
12	1011609	BOLT-HEX: .50 x 2.00 NC GR5 ZP	1
13	1011581	WASHER-LOCK: .50 ZP	1
14	50387	WLDMT-IDLER	2
15	57933	WLDMT- IDLER	1
16	1016969	NUT-TOPLOCK: 1.00 NC GR5 ZP	3
17	56646	SHEAVE 6TB62	4
18	56396	WLDMT-PULLEY 6R	2
19	50335	HUB Q1 1.75	6
20	50152	KEY .38 X .38 X 2.00	6
21	62106	SPROCKET H60-P19	2
22	72903	WLDMT-IDLER MOUNT	1
23	72630	V-BELT 6B173	1
24	1020685	WASHER-FLAT: 1.00	1
25	1016944	PIN-COTTER: .25 X 2.00 ZP	1
26	52303	SPRING, DOWN PRESSURE	1
27	52306	BOLT-EYE	1
28	53651	SPROCKET IDLER	1
29	1013023	BOLT-HEX: .63 X 2.50 NC GR5 ZP	1
30	1016595	NUT-TOPLOCK: .63 NC GR5 ZP	1
31	1015558	BOLT-HEX: .50 X 1.00 NF GR5 ZP	8
32	53641	HUB P1 1.75	2
33	62110	CHAIN ROLLER	1



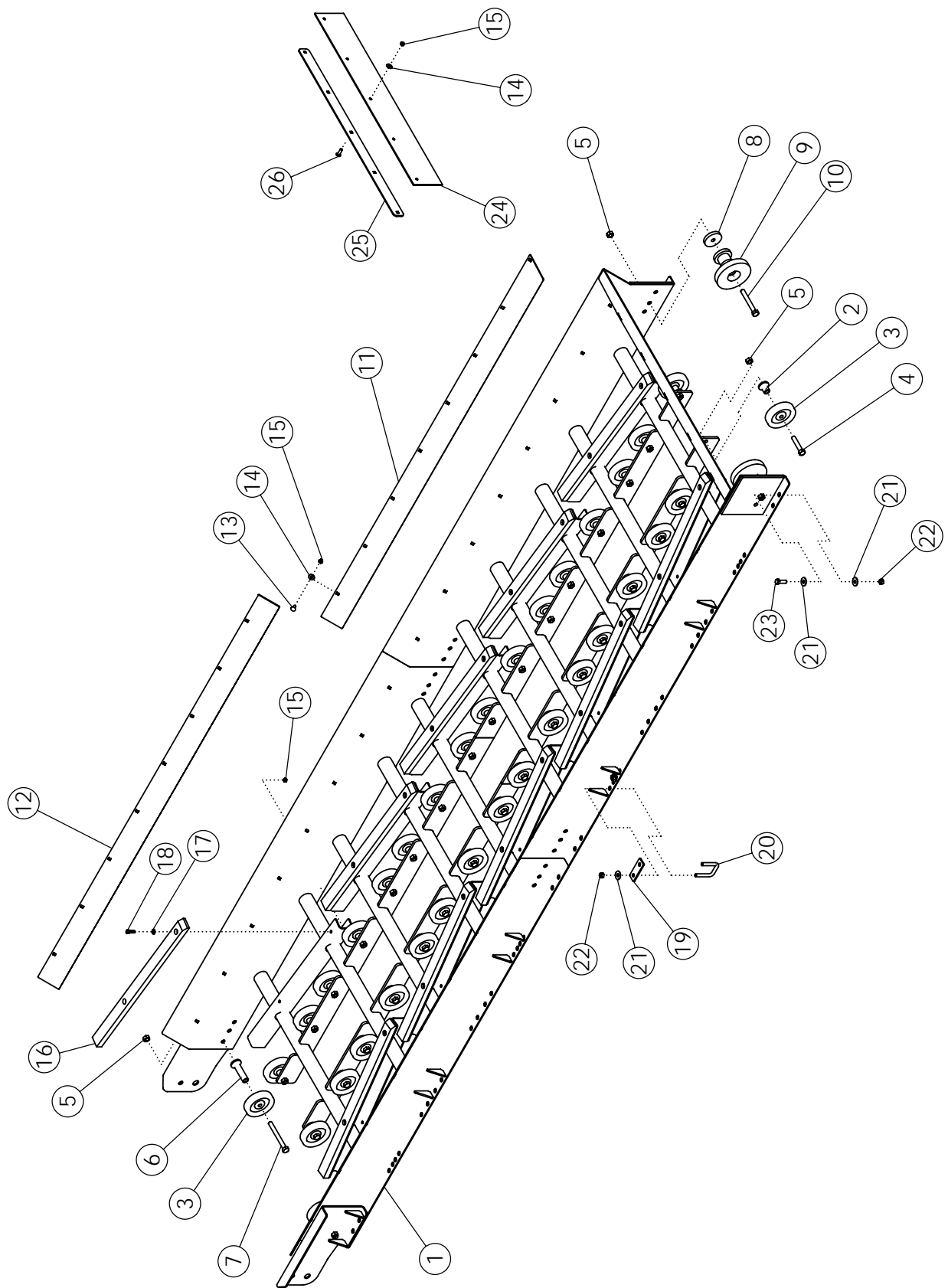
JUMP CHAIN

ITEM	PART NO.	DESCRIPTION	QTY
1	72852	WLDMT-CENTER PANEL	1
2	72855	WLDMT-CENTER PANEL MNT	2
3	72701	WLDMT-TOP JUMP SHAFT 12R	1
4	56672	SHIM-BEARING	2
5	52405	BEARING-PILLOW 1-3/4"	2
6	1011610	BOLT-HEX: .50 X 2.50 NC GR5 ZP	4
7	1014443	WASHER-FLAT: .50 ZP	8
8	1027461	NUT-TOPLOCK: .50 NC GR5 ZP	20
9	58204	BAR - BOLTING	4
10	1032514	BOLT-HEX: .50 X 7.50 NC GR5 ZP	8
11	64192	STAND OFF	24
12	53825	BOGIE WHEEL 5"	24
13	72773	BOLT-HEX: .63 X 11.00 NC GR5 ZP	7
14	1016595	NUT-TOPLOCK: .63 NC GR5 ZP	25
15	1013068	BOLT-HEX: .63 X 6.00 NC GR5 ZP	12
16	62932	PLATE-SHIM	4
17	54042	ROLLER-STEP 6"	4
18	72880	PLATE-IDLER MOUNT	1
19	72940	PLATE-LOWER IDLER MNT	2
20	58335	SPROCKET-CLUTCH 80P45 PRESET	1
21	62034	SPROCKET H80-P12	1
22	53641	HUB P1 1.75 (WITH KEY)	2
23	72080	IDLEMASTER X .75	1
24	1011607	BOLT-HEX: .50 x 1.50 NC GR5 ZP	4
25	72063	BOLT-CRG: .63 X 1.50 NC GR5 ZP	4
26	62028	SPROCKET-SPLIT 56MM X 1/2" APRON	8
27	58369	BOLT- HEX: .75 X 3.50 NC GR5 ZP	1
28	1012061	WASHER-LOCK: .75 ZP	1
29	1011620	NUT-HEX: .75 NC GR2 ZP	1
30	1011603	BOLT-HEX: .38 X 1.75 NC GR5 ZP	24
31	1016999	NUT-TOPLOCK: .38 NC GR5 ZP	24
32	1017708	BOLT-HEX: .50 X 2.25 NC GR5 ZP	4
33	72881	CHAIN-ROLLER 80H-1R-79	1
34	72650	BELT-56MM .50 X 52 X 100 LPR (NOT SHOWN)	2
35	62836	DISC-HALF SPACER	8
36	1012913	BOLT-HEX: .63 X 6.50 NC GR5 ZP	2



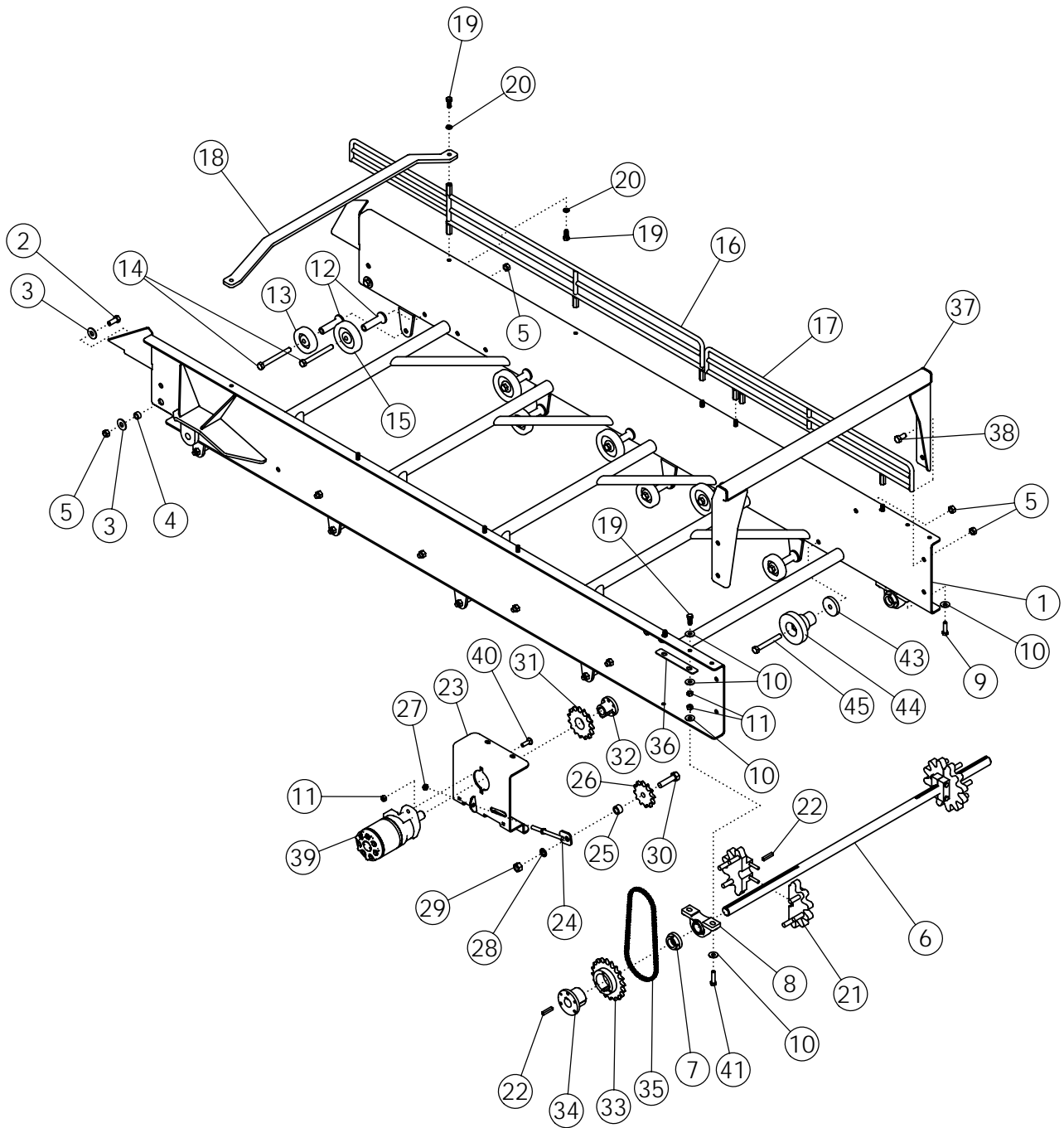
TANK ASSEMBLY

ITEM	PART NO.	DESCRIPTION	QTY
1	72741	WLDMT-TANK 12050 12R	1
2	54785	WLDMT-LOCK BRACKET	2
3	1016595	NUT-TOPLOCK: .63 NC GR5 ZP	6
4	1020685	WASHER-FLAT: 1.00	4
5	1016944	PIN-COTTER: .25 X 2.00 ZP	4
6	1014349	BOLT-HEX: .63 x 1.50 NC GR5 ZP	4
7	64749	TUBE-STRIKER	1
8	64574	PLATE-STRIKER	1
9	1017719	BOLT-HEX: .50 X 3.25 NC GR5 ZP	4
10	1014443	WASHER-FLAT: .50 ZP	24
11	1027461	NUT-TOPLOCK: .50 NC GR5 ZP	28
12	1011611	BOLT-HEX: .50 X 3.00 NC GR5 ZP	2
13	57917	PLATE	2
14	53677	U-BOLT: .50 X 3 X 2.00 X 3	4
15	72420	WLDMT-LADDER TOP 12R	1
16	72824	WLDMT-CATWALK 12R	1
17	72435-1	WLDMT-LADDER LOWER TOP	1
18	72857	WLDMT-SIDE RAIL	2
19	1011608	BOLT-HEX: .50 X 1.75 NC GR5 ZP	12
20	1015174	BOLT-HEX: .38 X 2.50 NC GR5 ZP	8
21	1016999	NUT-TOPLOCK: .38 NC GR5 ZP	4
22	1030702	WASHER-FLAT .75 ZP	6
23	1012060	BOLT-HEX: .75 X 2.00 NC GR5 ZP	6
24	1017000	NUT-TOPLOCK: .75 NC GR5 ZP	6
25	54788	WLDMT-LOCK SLIDE	2
26	72934	TUBE-LOCK	2
27	72956	BOLT-HEX: 1.00 X 4.50 NC GR8 ZP	2
28	1016969	NUT-TOPLOCK: 1.00 NC GR5 ZP	2
29	1030947	PIN-HITCH: .63 X 4.00 ZP	2
30	73042	WLDMT-TANK DOOR	1
31	1017708	BOLT-HEX: .50 X 2.25 NC GR5 ZP	2
32	52408	SPRING PIN .50 X 3.50	1
33	72435-2	WLDMT-LADDER LOWER BOTTOM	1



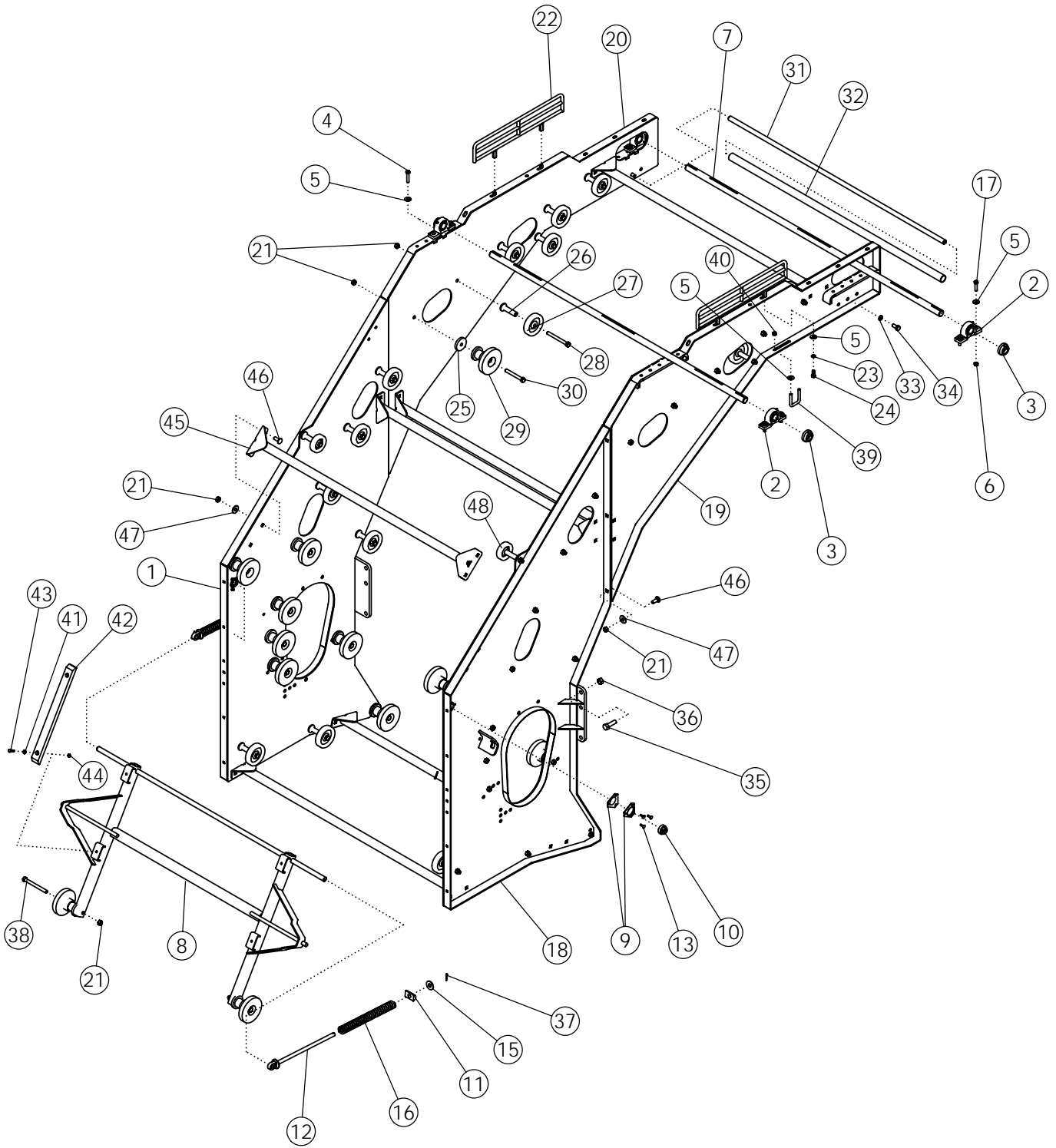
ELEVATOR ASSEMBLY

ITEM	PART NO.	DESCRIPTION	QTY
1	72765	WLDMT-ELEV 12050	1
2	58971	STAND OFF 1.50"	32
3	53825	BOGIE WHEEL 5"	34
4	65825	BOLT-HEX: .63 x 3.25 NC GR5 ZP	32
5	1016595	NUT-TOPLOCK: .63 NC GR5 ZP	36
6	64192	STAND OFF	2
7	1013068	BOLT-HEX: .63 X 6.00 NC GR5 ZP	2
8	62932	PLATE-SHIM	2
9	54042	ROLLER-STEP 6"	2
10	1013816	BOLT-HEX: .63 X 5.00 NC GR5 ZP	2
11	72337	SHEET-BELT PROTECTOR LOWER	2
12	72338	SHEET-BELT PROTECTOR UPPER	2
13	59488	BOLT-CRG: .38 X 1.00 NC GR5 ZP	32
14	1011828	WASHER-FLAT .38 ZP	37
15	1016999	NUT-TOPLOCK: .38 NC GR5 ZP	37
16	56774	UHMW PLASTIC SLIDE	10
17	1014608	WASHER-FLAT: SAE .38 ZP	20
18	1011601	BOLT-HEX: .38 X 1.25 NC GR5 ZP	20
19	64748	PLATE-ELEVATOR BACKING	8
20	65658	U-BOLT: .50 X 3 X 2.06 X 3	10
21	1014443	WASHER-FLAT: .50 ZP	24
22	1027461	NUT-TOPLOCK: .50 NC GR5 ZP	22
23	1011607	BOLT-HEX: .50 X 1.50 NC GR5 ZP	2
24	64609	FLAP-ELEVATOR	1
25	64608	STRIP-BOLTING	1
26	1016362	BOLT-CRG: .38 X 1.25 NC GR5 ZP	5



ELEVATOR BOOM

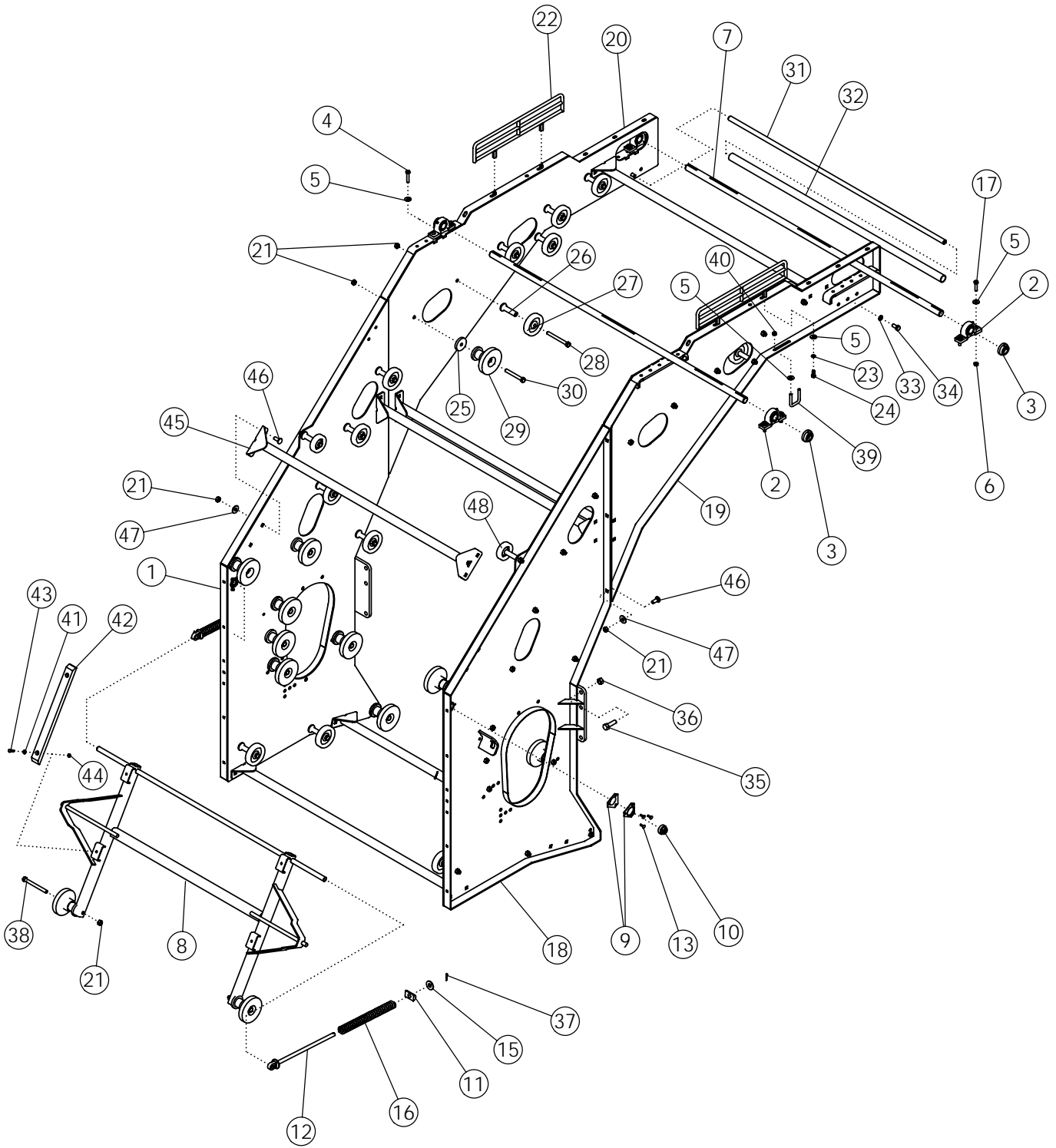
ITEM	PART NO.	DESCRIPTION	QTY
1	72756	WLDMT-ELEVATOR BOOM 12R	1
2	1014349	BOLT-HEX: .63 X 1.50 NC GR5 ZP	2
3	1013024	WASHER-FLAT: .63 ZP	4
4	53449	SLEEVE-HINGE	2
5	1016595	NUT-TOPLOCK: .63 NC GR5 ZP	22
6	68650	SHAFT - DRIVE	1
7	52382	SEAL PROTECTOR1-7/16	2
8	52405	PILLOW BLOCK BEARING UCP-206-20	2
9	1011608	BOLT-HEX: .50 X 1.75 NC GR5 ZP	2
10	1014443	WASHER-FLAT: .50 ZP	8
11	1027461	NUT-TOPLOCK: .50 NC GR5 ZP	8
12	64192	STAND OFF	18
13	53854	BOGIE WHEEL 4"	8
14	1013068	BOLT-HEX: .63 X 6.00 NC GR5 ZP	14
15	53825	BOGIE WHEEL 5"	6
16	64744	WLDMT-BOOM EXTENSION	2
17	58898	WLDMT-SCRUB EXT-REAR	2
18	54803	CROSS BRACE-BOOM	1
19	1011606	BOLT-HEX: .50 X 1.25 NC GR5 ZP	14
20	1011581	WASHER-LOCK: .50 ZP	12
21	68659	SPROCKET-SPLIT 50MM	2
	65658	SPROCKET-SPLIT 56MM	
22	50152	KEY .38 X .38 X 2.00	3
23	72329	WLDMT-REDUCTION MOUNT REAR	1
24	63876	TENSIONER ZP	1
25	58086	SPACER-CHAIN IDLER ZP	1
26	56334	SPROCKET-IDLER 8012	1
27	1011591	NUT-JAM: .50 NC ZP	2
28	1012061	WASHER-LOCK: .75 ZP	1
29	1011620	NUT-HEX: .75 NC GR2 ZP	1
30	1012059	BOLT-HEX: .75 X 3.00 NC GR5 ZP	1
31	64155	SPROCKET H80-P15	1
32	53719	HUB P1 1-1/4"	1
33	56650	SPROCKET H80-Q20	1
34	50335	HUB Q1 1.75"	1
35	64654	CHAIN-ROLLER 60H-1R-045	1
36	64732	PLATE-SHIM	1
37	64578	WLDMT-BOOM END SUPPORT	1
38	1032509	BOLT-HEX .63 X 1.25 NC GR5 ZP	4
39	57686	MOTOR-HYDRAULIC 32.3IN^3/REV	1
40	1011660	BOLT-CRG: .50 X 1.50 NC GR5 ZP	2
41	1017708	BOLT-HEX: .50 X 2.25 NC GR5 ZP	2
42	64675	LINK-OFFSET (NOT SHOWN)	2
43	62932	PLATE-SHIM	2
44	68664	ROLLER-STEP 5"	2
45	1013816	BOLT-HEX: .63 X 5.00 NC GR5 ZP	2



REAR SCRUB

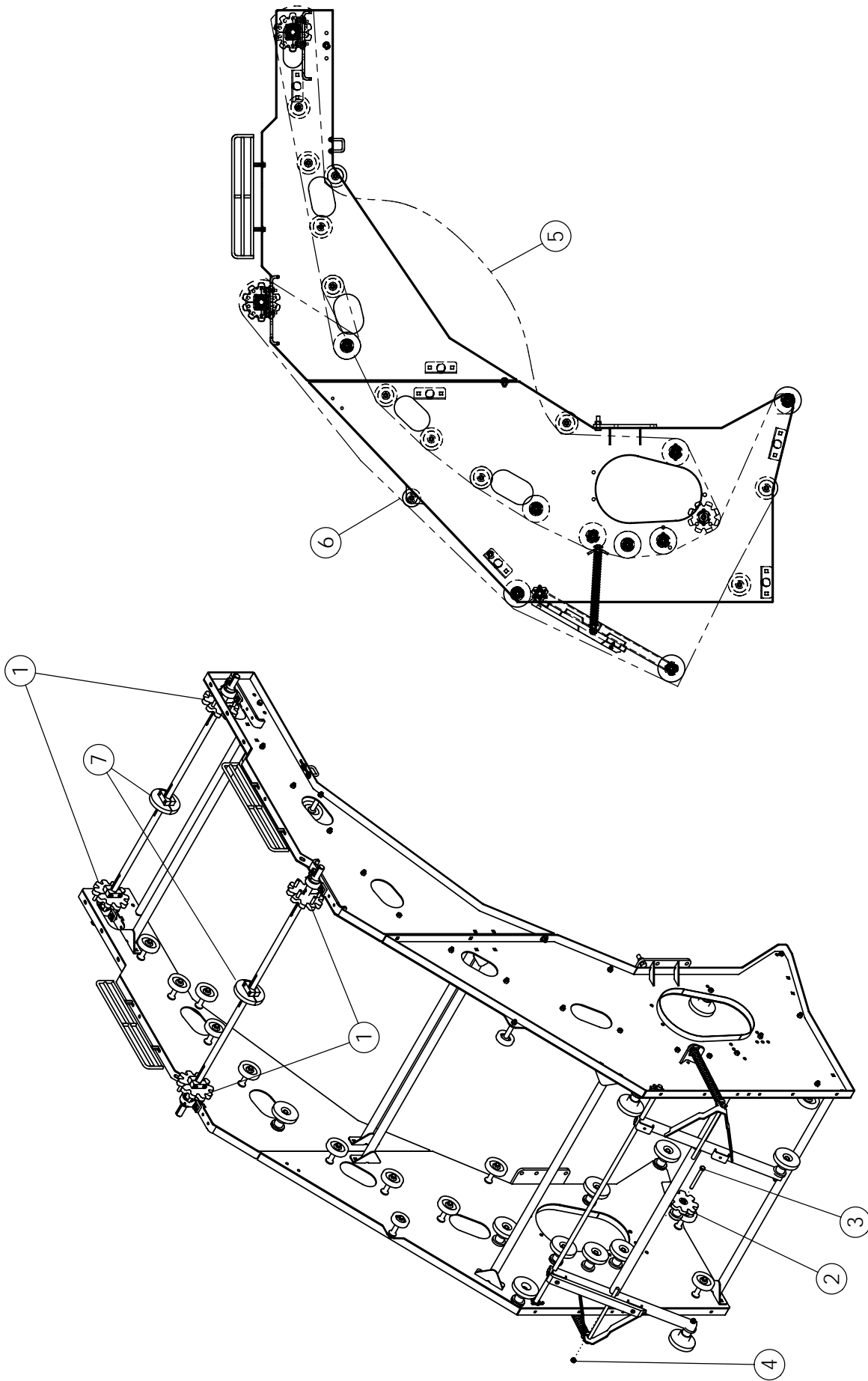
ITEM	PART NO.	DESCRIPTION	QTY
1	72672	SCRUB-BOTTOM LEFT WLDMT	1
2	52405	PILLOW BLOCK BEARING 1.75	4
3	52382	SEAL PROTECTOR 1.75	4
4	1011610	BOLT-HEX: .50 X 2.50 NC GR5 ZP	4
5	1014443	WASHER-FLAT: .50 ZP	16
6	1011577	NUT-HEX: .50 NC ZP	8
7	72996	SHAFT - HEAD 1.75	2
8	72637	WLDMT-PENDULUM	1
9	53945	TRIANGLE FLANGETTE	4
10	53944	BEARING-INSERT 1" WITH LOCKING COLLAR	2
11	56680	HALF ROUND 1.5" ZP	2
12	72718	WLDMT-EYEBOLT ZP	2
13	1017255	BOLT-CRG: .31 X 1.00	6
14	1030700	NUT-TOPLOCK: .31 NC GR5 ZP	6
15	1030702	WASHER-FLAT .75 ZP	2
16	56853	SPRING-BLACK	2
17	1011609	BOLT-HEX: .50 X 2.00 NC GR5 ZP	4
18	72674	SCRUB-BOTTOM RIGHT WLDMT	1
19	72673	SCRUB-TOP RIGHT WLDMT	1
20	72671	SCRUB-TOP LEFT WLDMT	1
21	1016595	NUT-TOPLOCK: .63 NC GR5 ZP	72
22	58900	WLDMT-SCRUB EXT.-SIDE	2
23	1011581	WASHER-LOCK: .50 ZP	4
24	1011606	BOLT-HEX: .50 X 1.25 NC GR5 ZP	4
25	62932	PLATE-SHIM	12
26	64192	STAND OFF	24
27	53825	BOGIE WHEEL 5"	22
28	1013068	BOLT-HEX: .63 X 6.00 NC GR5 ZP	24
29	54042	ROLLER-STEP 6"	12
30	1013816	BOLT-HEX: .63 X 5.00 NC GR5 ZP	12
31	72322	PIPE-THREADED	1
32	72345	PIPE-PLASTIC	1
33	1011813	WASHER-LOCK: .63 ZP	2
34	1032509	BOLT-HEX .63 X 1.25 NC GR5 ZP	2
35	1016598	BOLT- .75 X 2.50 NC GR5 ZP	12
36	1017000	NUT-TOPLOCK: .75 NC GR5 ZP	12
37	1012375	PIN-COTTER .19 X 1.50 NP	4
38	1012913	BOLT-HEX: .63 X 6.50 NC GR5 ZP	2
39	65658	U-BOLT: .50 X 3.00 X 2.06 X 3.00	2
40	1027461	NUT-TOPLOCK: .50 NC GR5 ZP	4
41	1014608	WASHER-FLT: SAE .38 ZP	4

CONTINUED



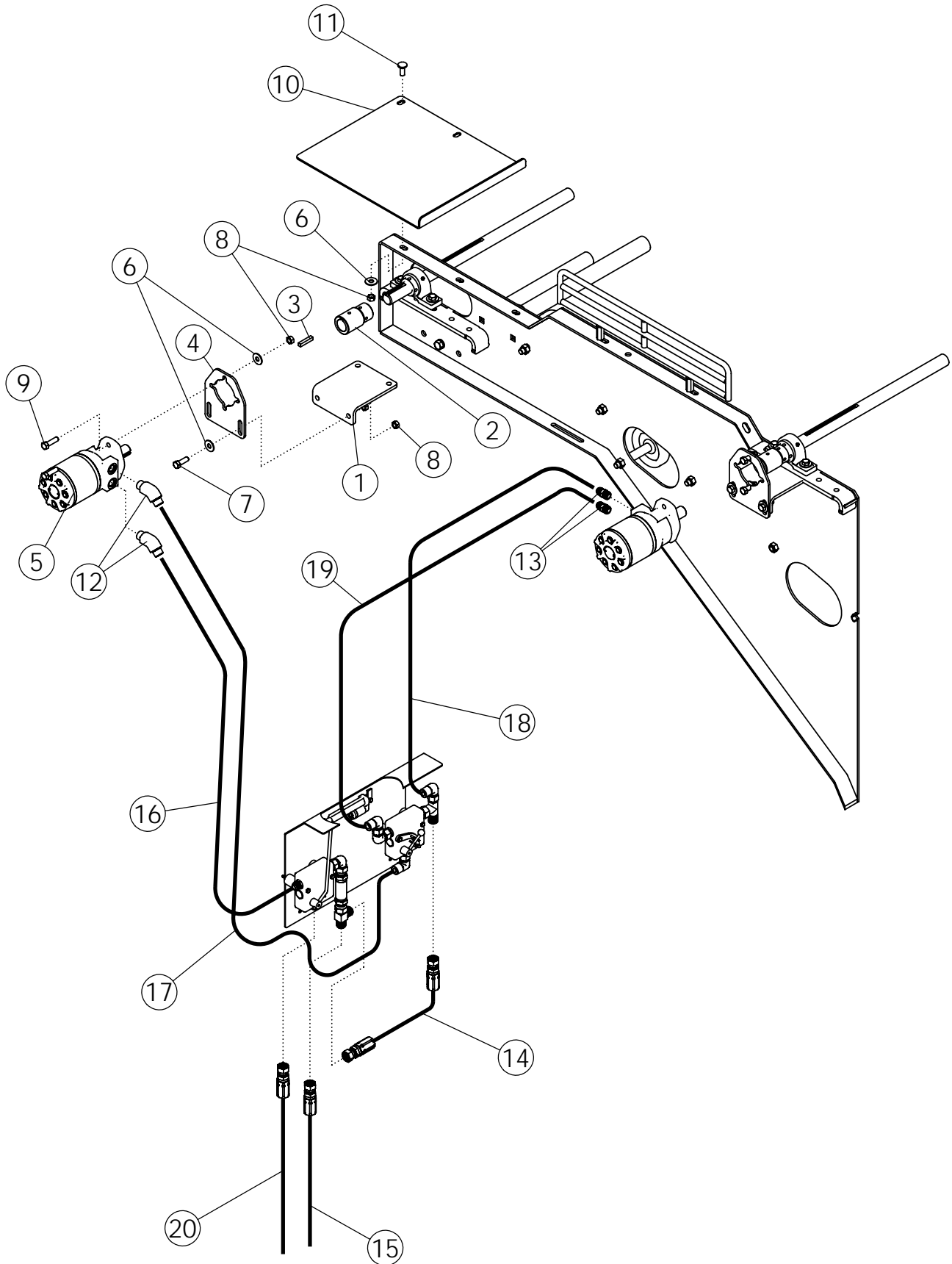
REAR SCRUB (CONTINUED)

ITEM	PART NO.	DESCRIPTION	QTY
42	72995	SLIDE-12R SCRUB	2
43	1011601	BOLT-HEX: .38 X 1.25 NC GR5 ZP	4
44	1016999	NUT-TOPLOCK: .38 NC GR5 ZP	4
45	72256	WLDMT-CROSS TUBE	7
46	72063	BOLT-CRG: .63 X 1.50 NC GR5 ZP	34
47	1013024	WASHER-FLAT: .63 ZP	34
48	53854	BOGIE WHEEL 4"	2



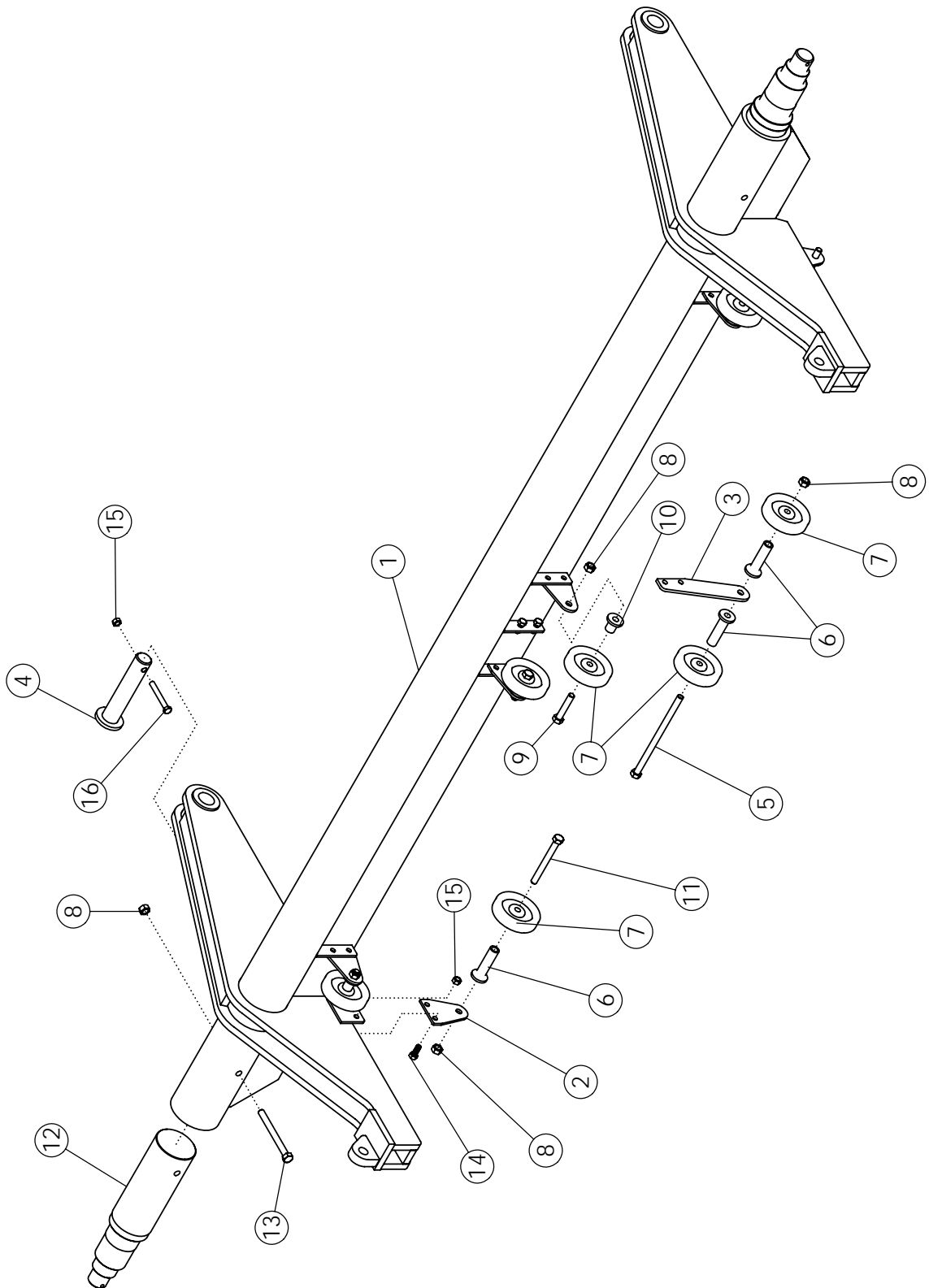
REAR SCRUB: BELTED CHAIN

ITEM	PART NO.	DESCRIPTION	QTY
1	68651	SPROCKET-SPLIT 56MM 1.75"	4
	68657	SPROCKET-SPLIT 50MM 1.75"	
2	54824	SPROCKET-IDLER 56MM	2
	63813	SPROCKET-IDLER 50MM	
3	1013068	BOLT-HEX: .63 X6.00 NC GR5 ZP	2
4	1016595	NUT-TOPLOCK: .63 NC GR5 ZP	2
5	73035	BELT-56MM: .50 X 64 X 172LPR	1
	73037	BELT-50MM: .50 X 64 X 192LPR	
6	73036	BELT-56MM: .50 X 64 X 158LPR	1
	73038	BELT-50MM: .50 X 64 X 177LPR	
7	73039	IDLER-SPLIT Ø7.00 X 1.75 ID	2



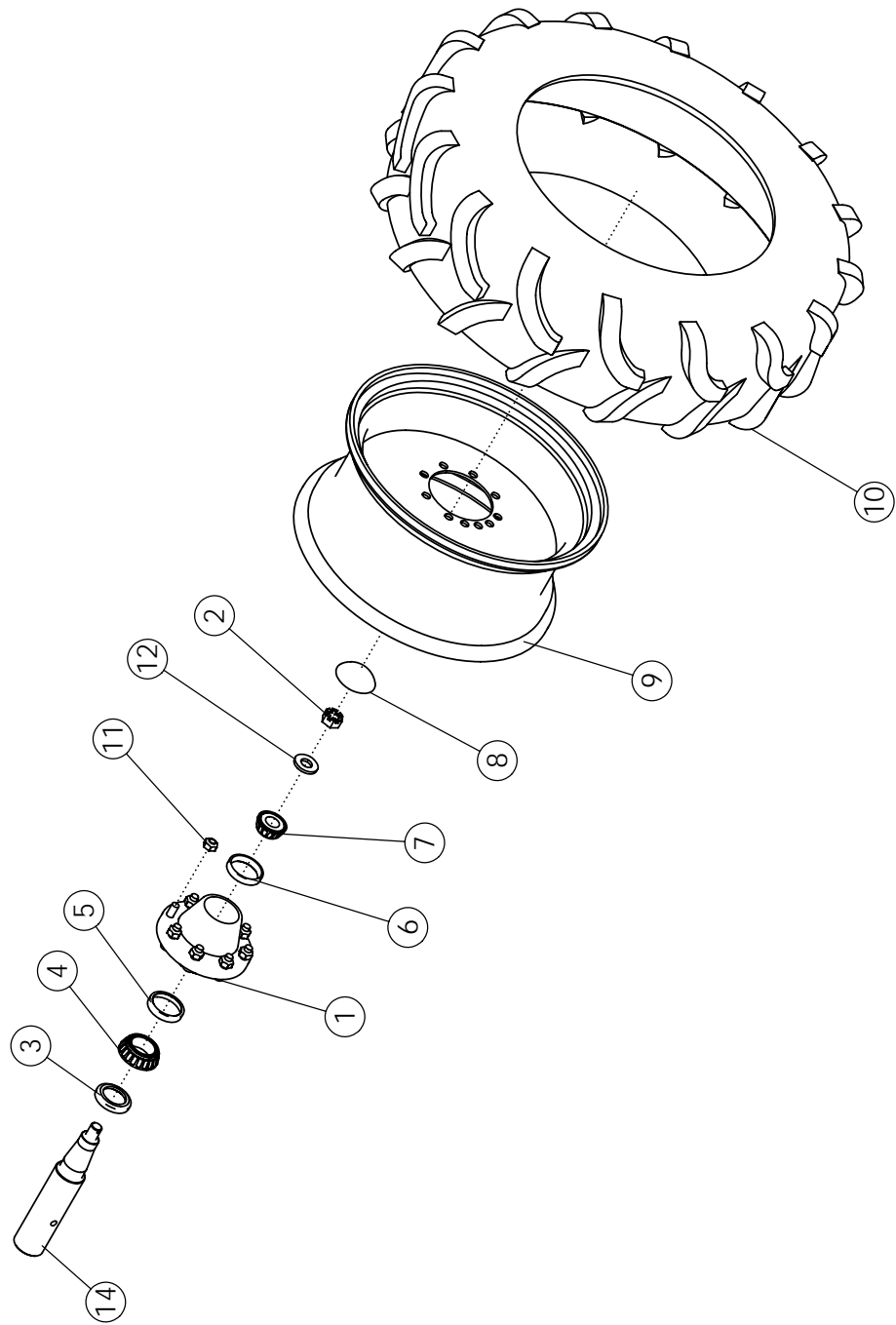
REAR SCRUB DRIVE

ITEM	PART NO.	DESCRIPTION	QTY
1	57733	PLATE	2
2	68663	COUPLING	2
3	50152	KEY .38 X .38 X 2.00	2
4	57843	PLATE-MOTOR HYDRAULIC	2
5	57686	MOTOR-HYDRAULIC 32.3IN ³ /REV	2
6	1014443	WASHER-FLAT: .50 ZP	11
7	1011607	BOLT-HEX: .50 X 1.50 NC GR5 ZP	4
8	1027461	NUT-TOPLOCK: .50 NC GR5 ZP	11
9	1011608	BOLT-HEX: .50 X 1.75 NC GR5 ZP	4
10	72829	PLATE-SCRUB MOTOR SHIELD	1
11	1023854	BOLT-CRG: .50 X 1.25 NC GR5 ZP	3
12	72811	FTG-ELBOW: 12MJ-10MB-45	2
13	59043	FTG-ADAPTER: 10MB-12MJ	2
14	63473	HOSE: .75 X 19 12FJX-12FJX	1
15	59803	HOSE: .75 X 156 12FJX-12FJX	1
16	59068	HOSE: .75 X 144 12FJX-12FJX	1
17	59800	HOSE: .75 X 164 12FJX-12FJX	1
18	72294	HOSE: .75 X 190 12FJX-12FJX	1
19	59805	HOSE: .75 X 180 12FJX-12FJX	1
20	59069	HOSE: .75 X 138 12FJX-12FJX	1



AXLE COMPONENTS

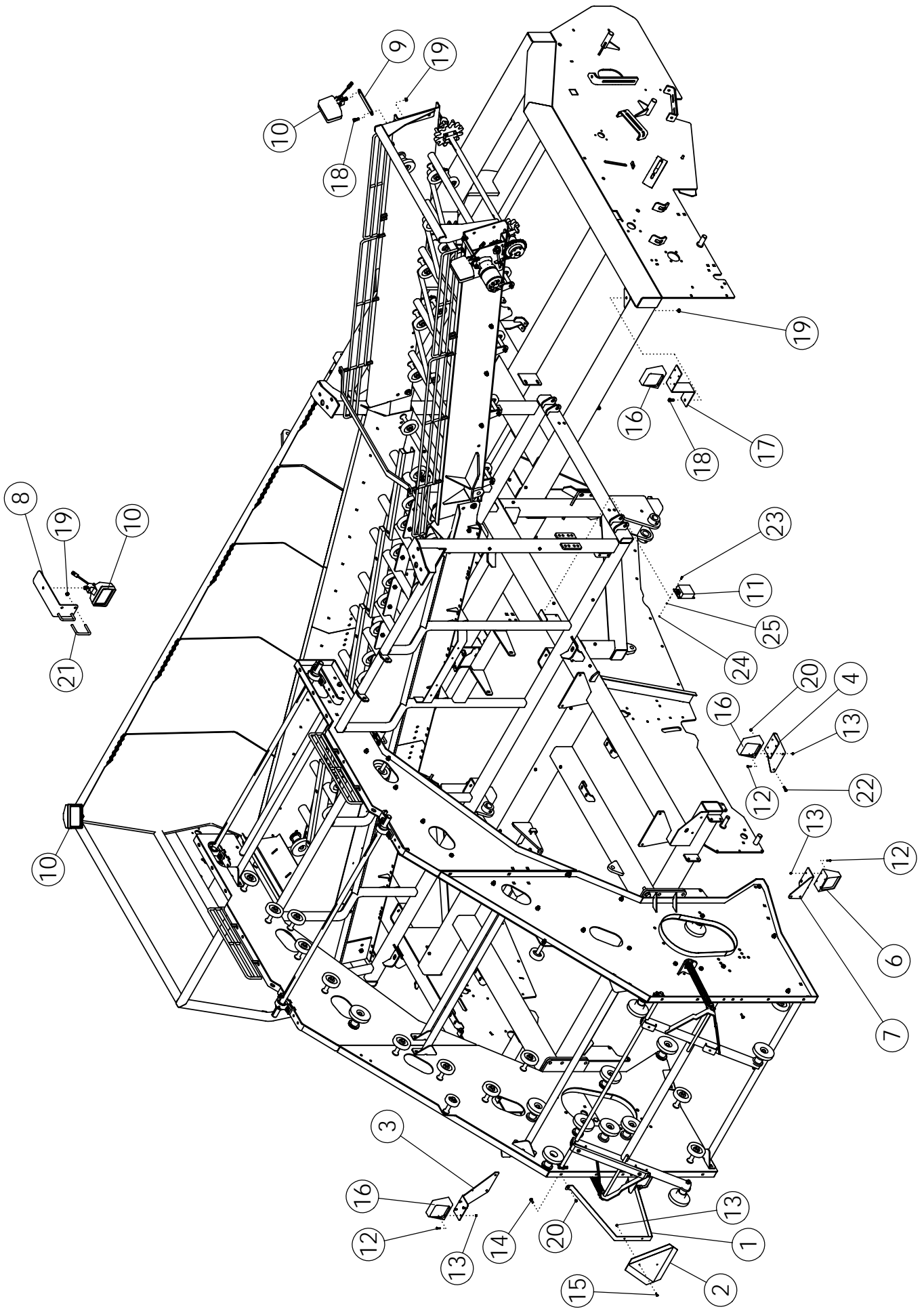
ITEM	PART NO.	DESCRIPTION	QTY
1	72643	WLDMT-AXLE MAIN	1
2	72263	PLATE-BOGIE WHEEL	6
3	72827	PLATE-CENTER BOGIE	1
4	72310	WLDMT-AXLE TO FRAME PIN	2
5	72773	BOLT-HEX: .63 X 11.00 NC GR5 ZP	1
6	64192	STAND OFF	4
7	53825	BOGIE WHEEL 5"	8
8	1016595	NUT-TOPLOCK: .63 NC GR5 ZP	9
9	65825	BOLT-HEX: .63 X 3.25 NC GR5 ZP	4
10	58971	STAND OFF 1.50"	4
11	1013068	BOLT-HEX: .63 X 6.00 NC GR5 ZP	2
12	72096	ASSY-SPINDLE 4.5 X 20.0 CR	2
13	1012913	BOLT-HEX .63 X 6.50 NC GR5 ZP	2
14	1011606	BOLT-HEX: .50 X 1.25 NC GR5 ZP	14
15	1027461	NUT-TOPLOCK: .50 NC GR5 ZP	16
16	1029104	BOLT-HEX: .50 X 3.75 NC GR5 ZP	2



SPINDLE & HUB ASSEMBLY

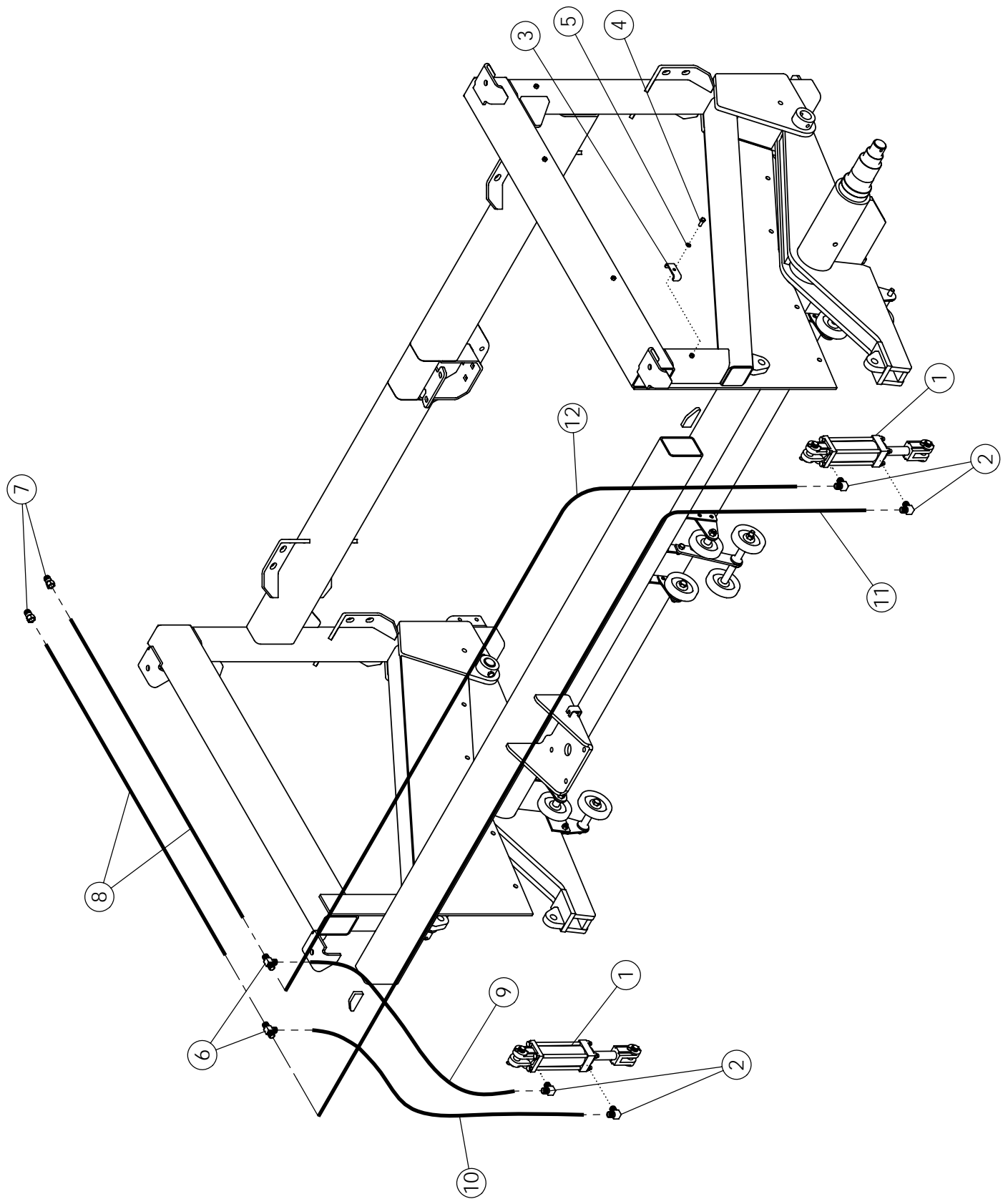
ITEM	PART NO.	DESCRIPTION	QTY
1	72973	HUB-WHEEL 10 BOLT	1
2	72983*	NUT-SPINDLE	1
3	72972	SEAL-10 BOLT HUB	1
4	72979	BEARING-CONE INNER	1
5	72977	BEARING-CUP INNER	1
6	72978	BEARING-CUP OUTER	1
7	72980	BEARING-CONE OUTER	1
8	72981	HUB CAP	1
9	72646	WHEEL-38XMW23A (.62" INSET)	1
10	72647	TIRE-710/70R38 177A8 R1W	1
11	72982	NUT-FLANGE	10
12	72984*	WASHER	1
13	72985*	KEY (NOT SHOWN)	1
14	72096	SPINDLE ASSY	1

*Items are included with item 14



LIGHT KIT

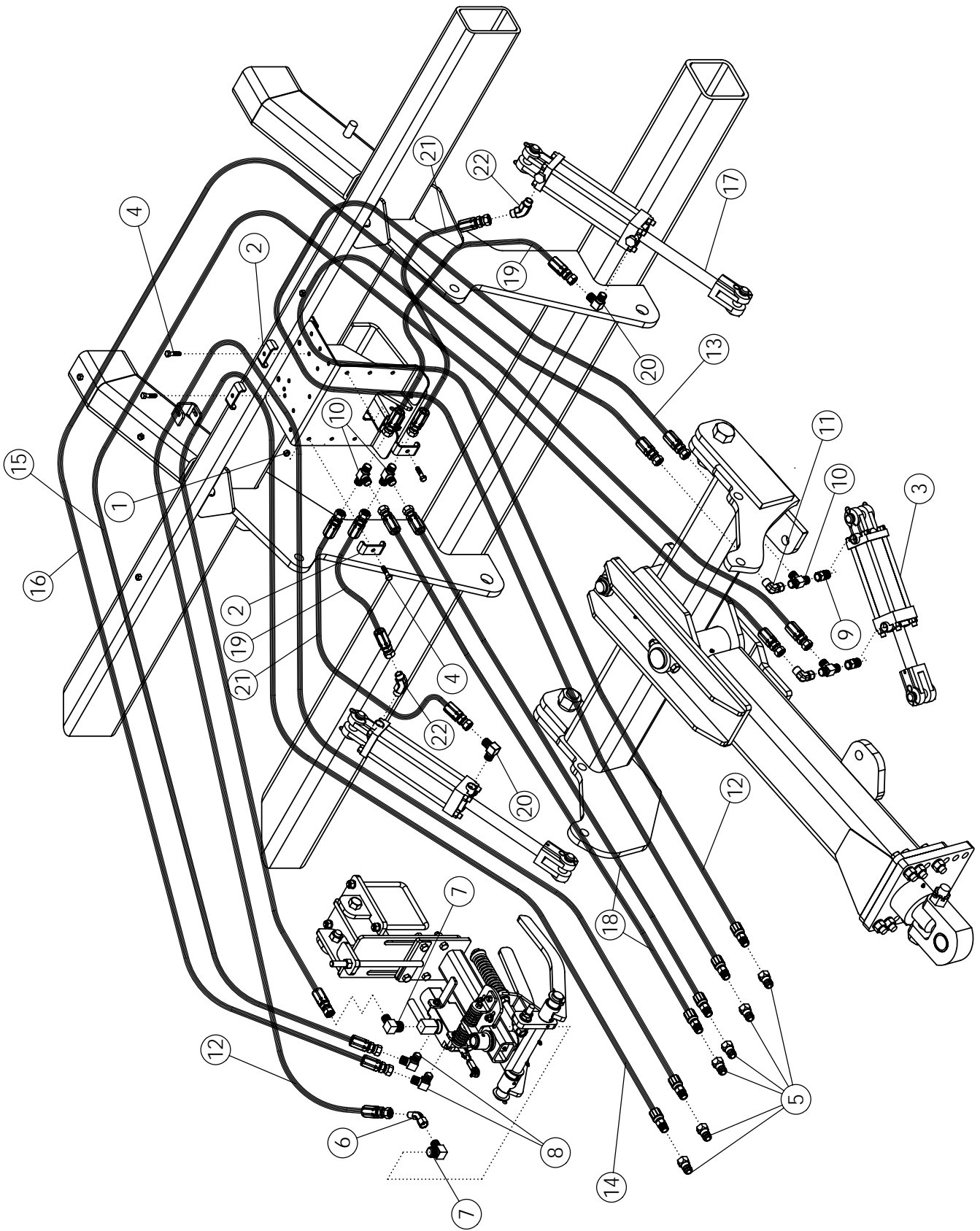
ITEM	PART NO.	DESCRIPTION	QTY
1	72388	MOUNT-SMV SIGN	1
2	65329	SIGN-SMV ASAE	1
3	72914	PLATE-LIGHT BRACKET LH	1
4	72913	PLATE-LIGHT BRACKET RH	1
5	64235	BRACKET-LIGHT LH RED (NOT SHOWN)	1
6	65953	LAMP-RED TAIL	2
7	64236	BRACKET-LIGHT RH RED	1
8	72504	PLATE-LIGHT MOUNT	2
9	57168	LIGHT BRACKET	2
10	62900	ASSY - LIGHT FLOOD W/CON	5
11	65341	MODULE-INTERFACE	1
12	1013423	BOLT-HEX: .25 X 1.00 NC GR5 ZP	24
13	1030946	NUT-TOPLOCK: .25 NC GR5 ZP	26
14	1016362	BOLT-CRG: .38 X 1.25 NC GR5 ZP	4
15	1011595	BOLT-HEX: .25 X .75 NC GR5 ZP	2
16	65954	LAMP-AMBER TAIL	4
17	72917	PLATE-CLEARANCE LIGHT	2
18	1011606	BOLT-HEX: .50 X 1.25 NC GR5 ZP	2
19	1027461	NUT-TOPLOCK: .50 NC GR5 ZP	10
20	1016999	NUT-TOPLOCK: .38 NC GR5 ZP	5
21	54653	U-BOLT: .50 X 3.25 X 4.00 X 3.25	4
22	1011601	BOLT-HEX: .38 X 1.25 NC GR5 ZP	2
23	100615	BOLT: .19 X .75 NC GR5 ZP	4
24	1011588	NUT-HEX 10-24 NC GR2 ZP	4
25	1012061	WASHER-LOCK: .19 ZP	4
26	72598	HARNESS 12R HARVESTER (NOT SHOWN)	1
27	1013122	TIE-CABLE, NYLON 14" (NOT SHOWN)	40
28	62833	CLAMP-ADHESIVE BACKED CABLE (NOT SHOWN)	8



AXLE HYDRAULICS

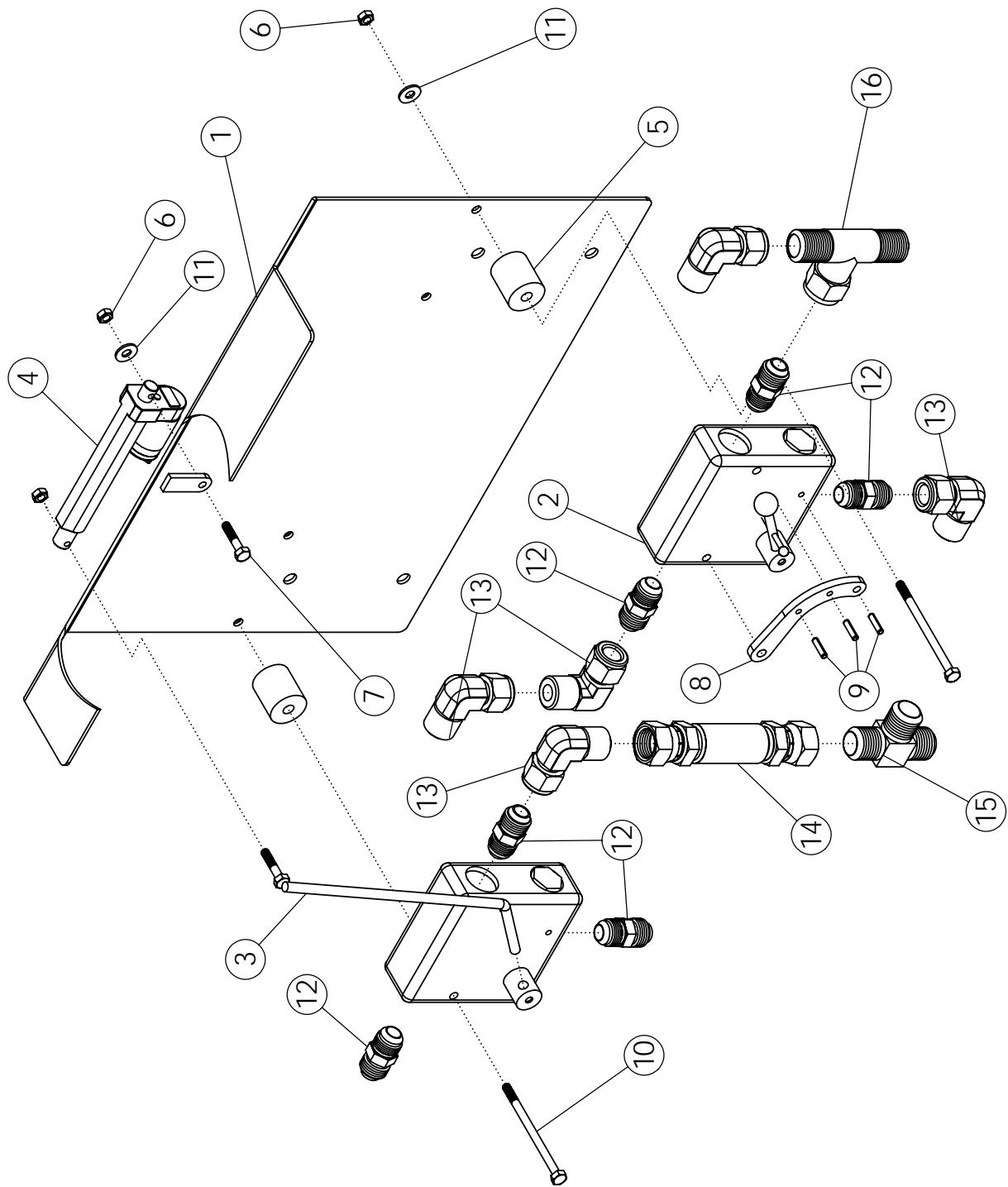
ITEM	PART NO.	DESCRIPTION	QTY
1	72950	CYLINDER-HYDRAULIC 4 X 10-3000-90°	2
2	58560	FTG-ELBOW: 8MB-8MJ-90	4
3	50714	CLAMP .50 ZP	25
4	1011600	BOLT-HEX: .38 X 1.00 NC GR5 ZP	25
5	1011586	WASHER-LOCK: .38 ZP	25
6	57667	FTG-TEE: 8MJ-8MJ-8MJ	2
7	53631	PIONEER TIP 8010-4	2
8	72908	HOSE: .38 X 345 8MP-8FJX	2
9	72476	HOSE: .38 X 25 8FJX-8FJX	1
10	72909	HOSE: .38 X 38 8FJX-8FJX	1
11	72480	HOSE: .38 X 177 8FJX-8FJX	1
12	72479	HOSE: .38 X 164 8FJX-8FJX	1
13	52320*	CYLINDER STOP A-KIT (NOT SHOWN)	2
14	54004*	CYLINDER STOP 1-1/2 (NOT SHOWN)	6

* USE AS REQUIRED TO LEVEL HARVESTER



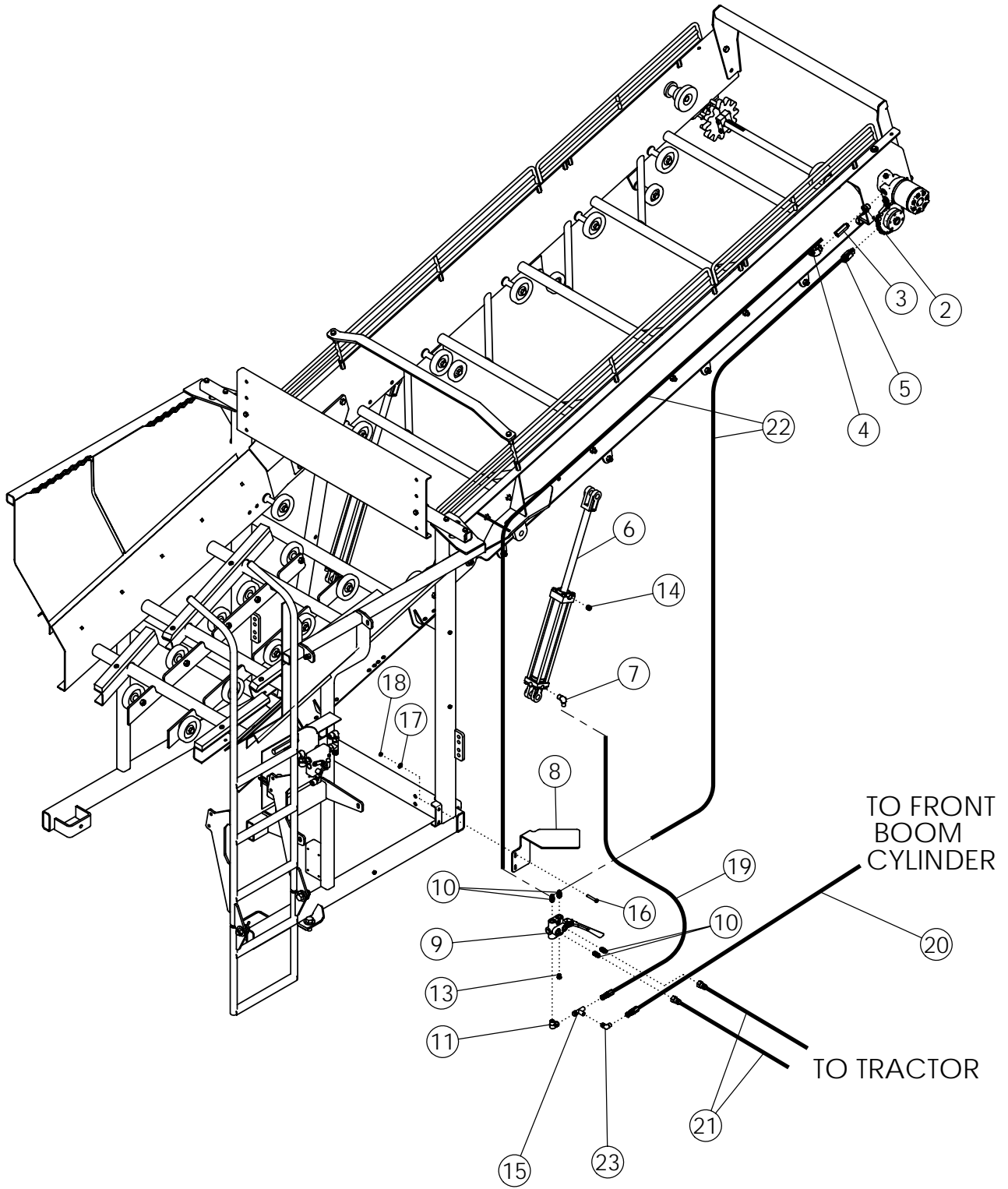
ROW FINDER AND HITCH HYDRAULICS

ITEM	PART NO.	DESCRIPTION	QTY
1	1016999	NUT-TOPLOCK .375 NC GR5 ZP	4
2	50714	CLAMP .50 ZP	4
3	58891	CYLINDER-HYDRAULIC 4 X 8" 3000	1
4	1011602	BOLT-HEX: .38 X 1.50 NC GR5 ZP	4
5	53631	PIONEER TIP 8010-4	6
6	57663	FTG-ELBOW: 8MJ-8FJX-45	1
7	57664	FTG-ELBOW: 12MP-8MJ-90	2
8	57665	FTG-ELBOW: 8MP-8MJ-90	2
9	56941	FTG-ADAPTER: 8MB-8FJX	2
10	57667	FTG-TEE: 8MJ-8MJ-8MJ	4
11	57668	FTG-ELBOW: 8MJ-8FJX 90	2
12	57669	HOSE: .50 X 153 8MP-8FJX	2
13	57670	HOSE: .50 X 150 8MP-8FJX	1
14	57671	HOSE: .50 X 163 8MP-8FJX	1
15	57672	HOSE: .50 X 098 8FJX-8FJX	1
16	57673	HOSE: .50 X 096 8FJX-8FJX	1
17	62082	CYLINDER-HYDRAULIC 4 X 10" 3000	2
18	57675	HOSE: .50 X 100 8MP-8FJX	2
19	57676	HOSE: .50 X 031 8FJX-8FJX	2
20	58560	FTG-ELBOW: 8MB-8MJ-90	2
21	57677	HOSE: .50 X 021 8FJX-8FJX	2
22	58515	FTG-ELBOW: 8MB-8MJ-45	2



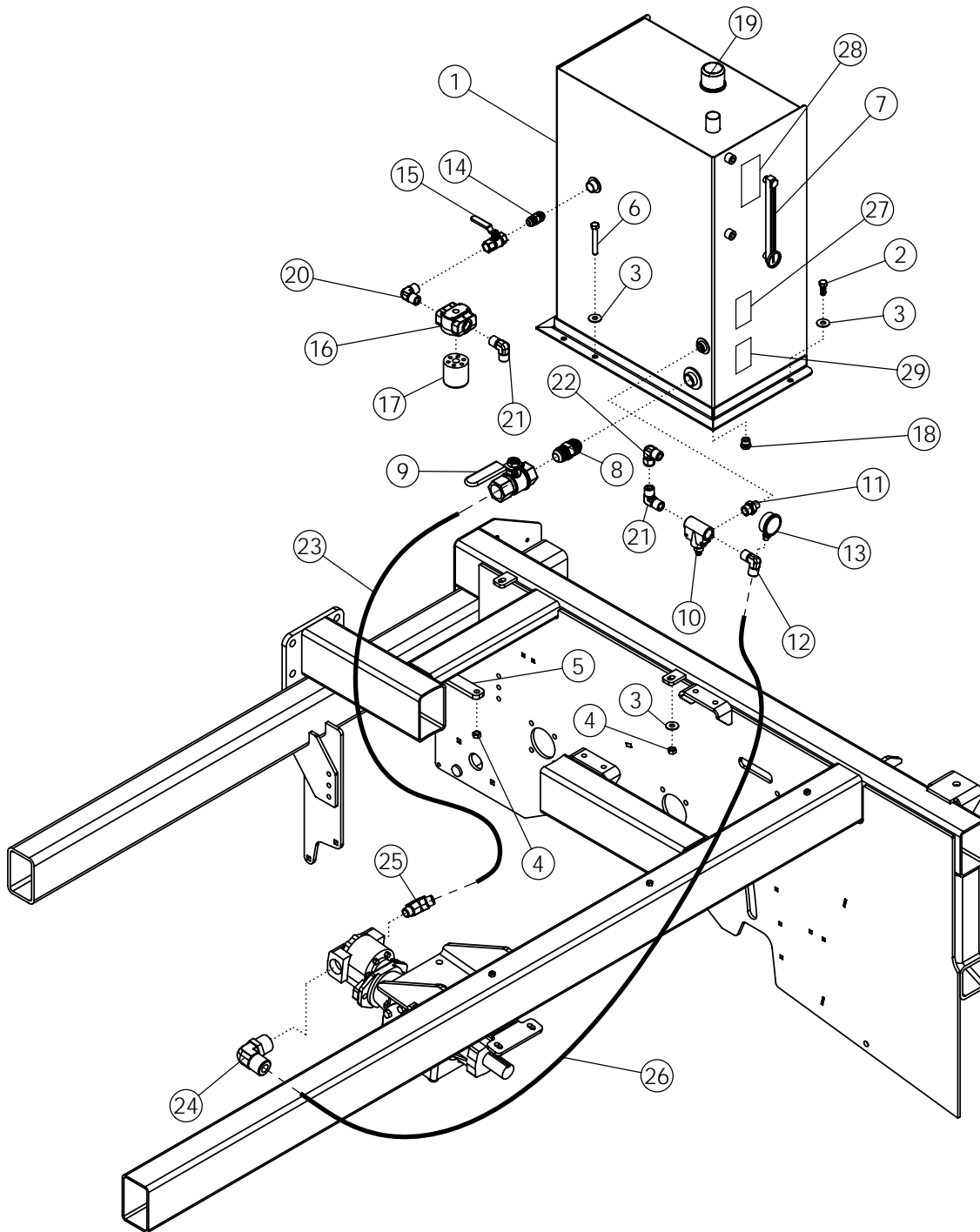
VALVE GROUP: DUAL MOTOR SCRUB

ITEM	PART NO.	DESCRIPTION	QTY
1	68092	WLDMT-BRACKET FLOW CONTROL	1
2	58985	VALVE-FLOW CONTROL- 3/4" FP	2
3	59524	WLDMT-ARM FLOW CONTROL Z.P.	1
4	59633	ACTUATOR-12VDC 4" STROKE	1
5	59463	SPACER	4
6	1030946	NUT-TOPLOCK: .25 NC GR5 ZP	6
7	1013940	BOLT-HEX: .25 X 1.25 NC GR5	1
8	59206	BRACKET-FLOW CONTROL ZP	1
9	54314	PIN-ROLL .19 X .75 ZP	3
10	1030776	BOLT-HEX: .25 X 4.00 NC GR5	4
11	1020416	WASHER-FLAT: .25 ZP	5
12	59042	FTG-ADAPTER: 12MP-12MJ	6
13	59041	FTG-ELBOW: 12MJ-12FJX 90	5
14	63471	ASSY-TUBE LINE .75 X 5.25 0-0	1
15	58986	FTG-TEE: 12MJ-12MJ-12MJ	1
16	59053	FTG-TEE: 12MJ-12MJ-12FJX	1



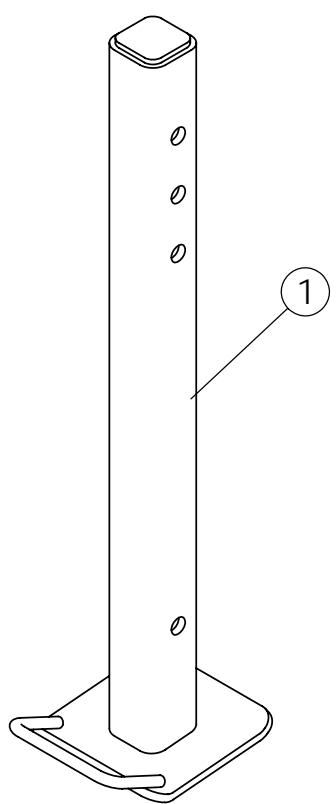
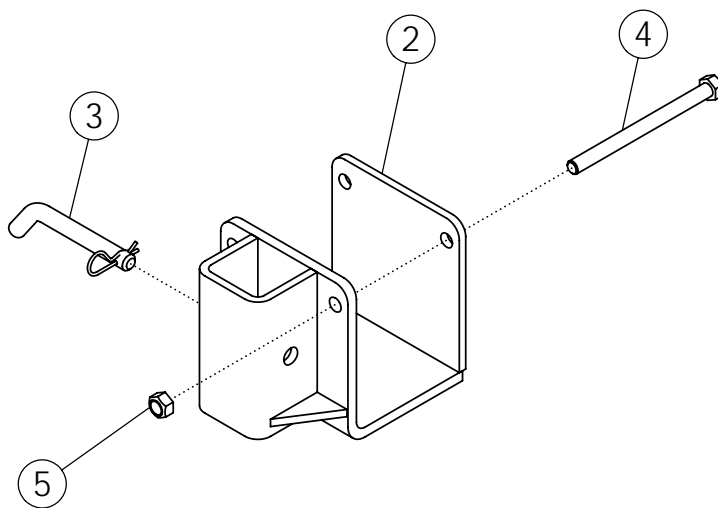
TANK HYDRAULICS

ITEM	PART NO.	DESCRIPTION	QTY
1	53631	PIONEER TIP 8010-4	2
2	58289	FTG-ADAPTER: 10MB-8FP	1
3	53722	VALVE-CHECK: 8MP-8FP	1
4	58288	FTG-ELBOW: 8MP-8MJ-45	1
5	56229	FTG-ELBOW: 10MB-8MJ-45	1
6	58889	CYLINDER-HYD 2.5 X 16	2
7	58557	FTG-ELBOW: 8MB-6MJ 90	2
8	72469	GUARD-SELECTOR VALVE PAINTED	1
9	58470	VALVE-SELECTOR PAINTED	1
10	56226	FTG-ADAPTER: 8MB-8MJ	4
11	55733	FTG-ELBOW: 8MB-8FP 90	1
12	72754	WLDMT-REAR FRAME 12R22	1
13	56190	FTG-PLUG: 8MB	1
14	58547	FTG-PLUG: 8MB BREATHER	2
15	56231	FTG-TEE: 6MJ-6FJX-6MJ	1
16	59390	BOLT-HEX: .38 X 2.25 NC GR5 ZP	2
17	1011828	WASHER-FLAT .38 ZP	2
18	1016999	NUT-TOPLOCK: .38 NC GR5 ZP	2
19	56234	HOSE: .38 X 28 6FJX-6FJX	1
20	64272	HOSE: .38 X 80 6FJX-6FJX	1
21	72482	HOSE: .50 X 365 8MP-8FJX	2
22	58378	HOSE: .50 X 182 8FJX-8FJX	2
23	57897	FTG-ELBOW: 6MJ-6FJX-90	1



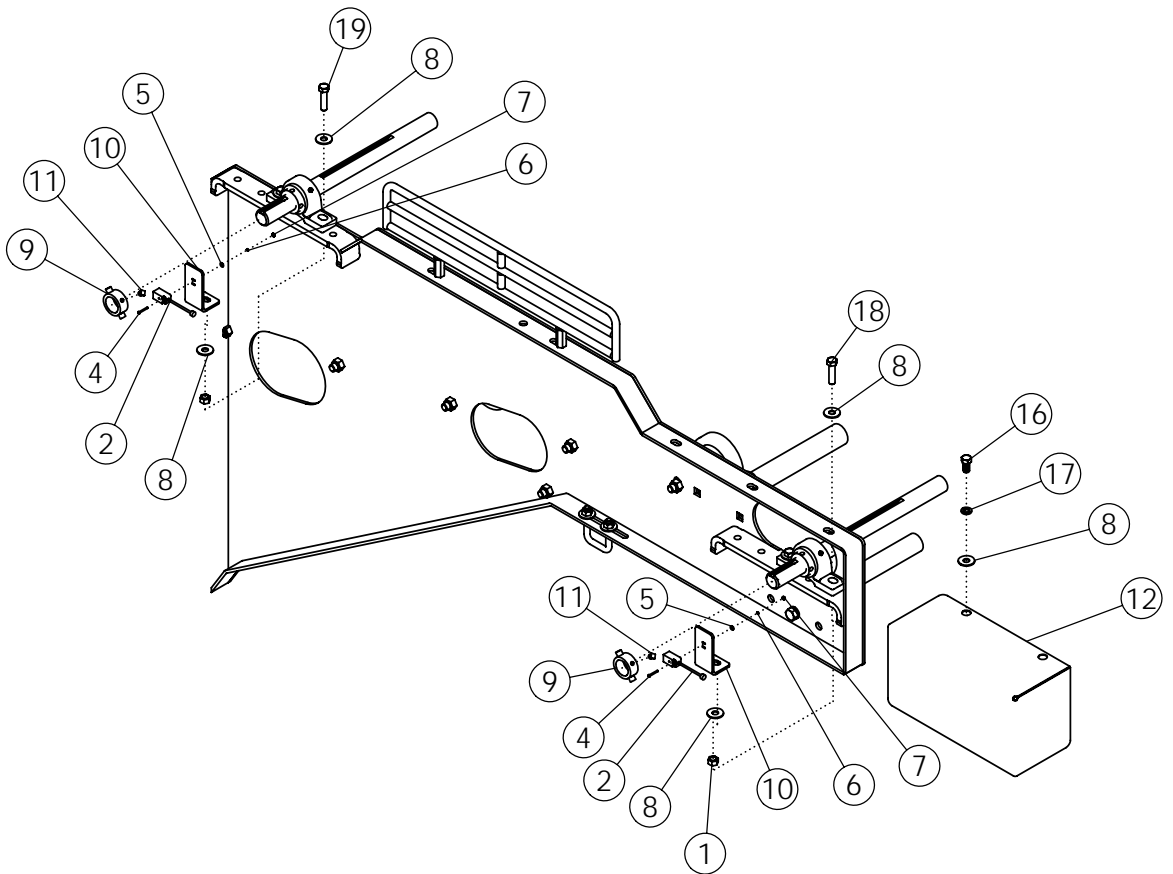
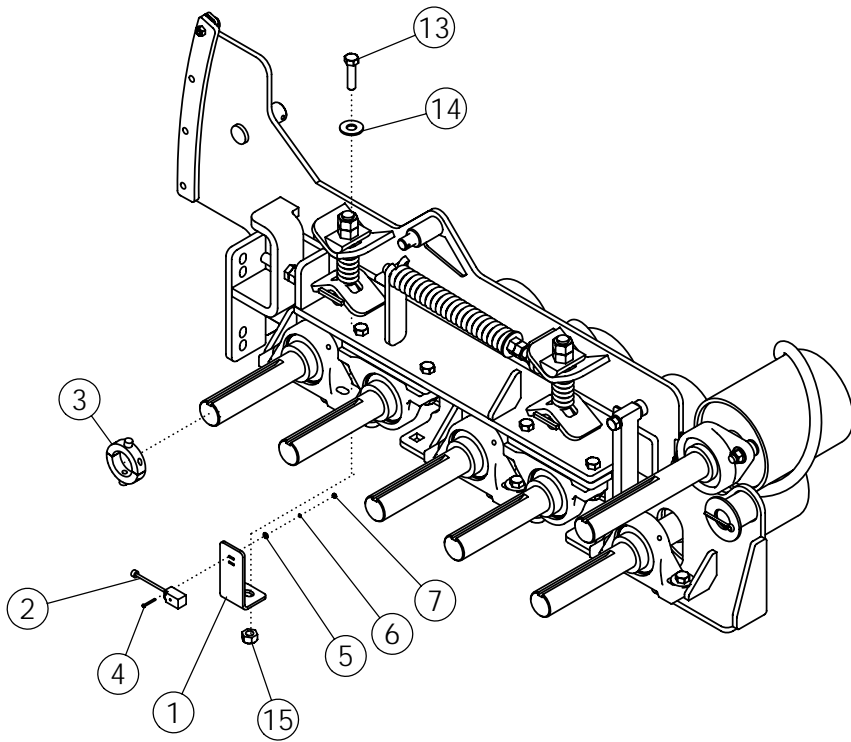
HYDRAULIC TANK

ITEM	PART NO.	DESCRIPTION	QTY
1	58079	HYDRAULIC TANK-PAINTED	1
2	1011606	BOLT-HEX: .50 X 1.25 NC GR5 ZP	2
3	1014443	WASHER-FLAT: .50 ZP	6
4	1027461	NUT-TOPLOCK: .50 NC GR5 ZP	4
5	58204	BAR - BOLTING	1
6	1011612	BOLT-HEX: .50 X 3.50 GR5 ZP	2
7	58914	GAUGE-LEVEL & TEMP	1
8	58978	FTG-ADAPTER: 20MP-20MP	1
9	58979	VALVE-BALL: 20FP-20FP	1
10	64686	VALVE-RELIEF	1
11	58466	FTG-ADAPTER: 12MP-8MP	1
12	58983	FTG-ELBOW: 12MP-12MJ 90 W/.25" FP	1
13	62518	GAUGE-PRESSURE: 1/4"MP 3000 PSI	1
14	58196	FTG-ADAPTER: 12MP-12MP	2
15	59165	VALVE-BALL 3/4FP - 3/4FP	1
16	58690	FILTER HEAD	1
17	58691	FILTER-HYDRAULIC	1
18	55718	FTG-PLUG: 8MB	1
19	58197	CAP-FILLER	1
20	72590	FTG-ELBOW: 12MP-12MP-90	1
21	59044	FTG-ELBOW: 12MP-12MJ 90	3
22	59041	FTG-ELBOW: 12MJ-12FJX 90	1
23	72264	HOSE: 1.25 X 36 20MP-20FJX	1
24	64061	FTG-ELBOW: 16MB-12MJ-90	1
25	72559	FTG-ELBOW: 20-MB-20MJ-45	1
26	59802	HOSE: .75 X 52 12FJX-12FJX	1



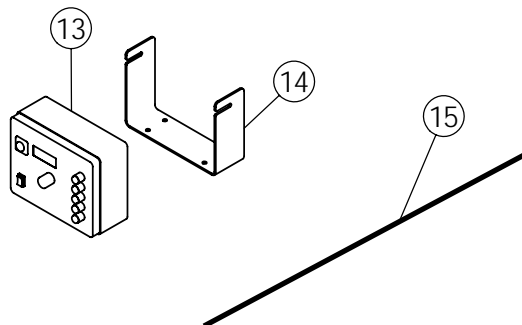
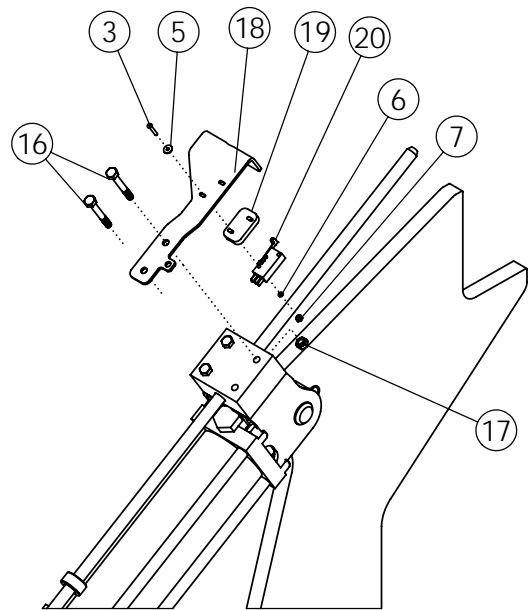
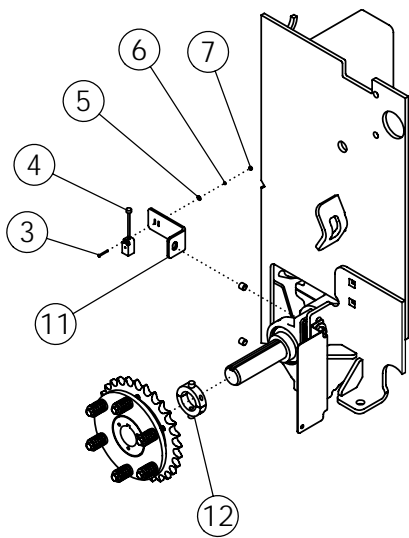
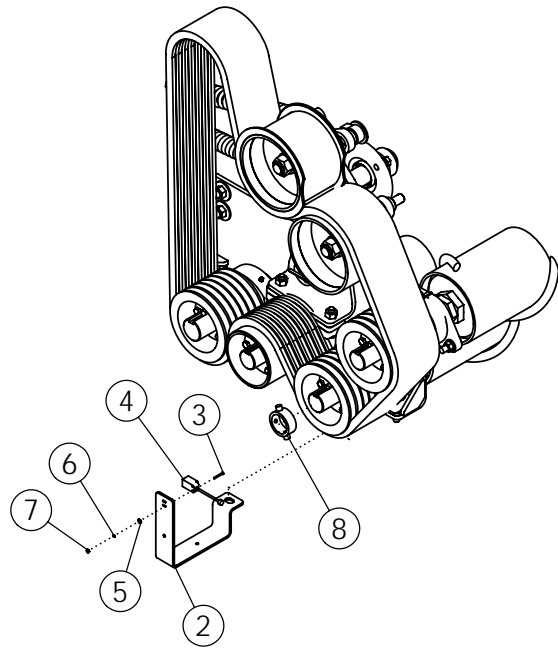
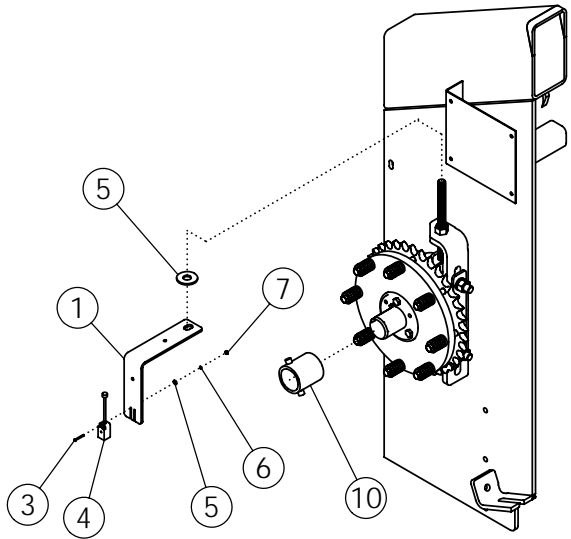
HARVESTER STAND #63357 (OPTIONAL)

ITEM	PART NO.	DESCRIPTION	QTY
1	63382	WLDMT-STAND SUPPORT	1
2	63377	WLDMT-STAND MOUNT	1
3	63407	PIN-BENT	1
4	1018957	BOLT-HEX: .63 X 8.00 NC GR5 ZP	2
5	1016595	NUT-TOPLOCK: .63 NC GR5 ZP	2



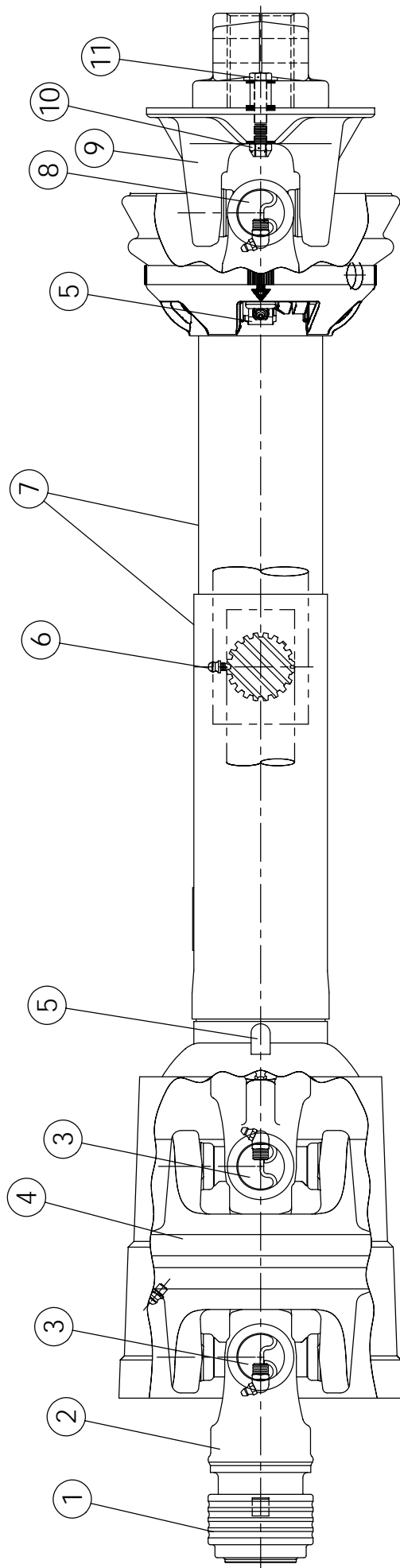
SHAFT MONITOR (OPTIONAL)

ITEM	PART NO.	DESCRIPTION	QTY
1	72500	PLATE-APRON CHAIN SENSOR	1
2	64661	SENSOR W/DISCONNECT	4
3	64388	WLDMT-SPLIT COLLAR 1.75"	2
4	64390	SCREW-MACHINE RND SLT #4-40 X 1.00	4
5	64393	WASHER-FLAT: #4 ZP	4
6	64338	WASHER-LOCK: #4 ZP	4
7	64391	NUT-HEX: #4-40 SS	4
8	1014443	WASHER-FLAT: .50 ZP	6
9	64379	WLDMT-SET COLLAR 1.438"	2
10	64361	MOUNT-SCRUB SENSOR	2
11	64392	SCREW-SET: SQ HD .38 X .25	2
12	72974	WLDMT-SCRUB SHIELD	1
13	59103	BOLT-HEX: .56 X 2.50 NC GR8	2
14	59104	WASHER-FLAT: SAE .56 GR8	2
15	59105	NUT-TOPLOCK: .56 NC GR8	2
16	1011096	BOLT-HEX: .50 X 1.00 NC GR5 ZP	2
17	1011581	WASHER-LOCK: .50 ZP	2
18	1011610	BOLT-HEX: .50 X 2.50 NC GR5 ZP	1
19	1016858	BOLT-HEX: .50 X 2.75 NC GR5 ZP	1



SHAFT MONITOR (OPTIONAL)

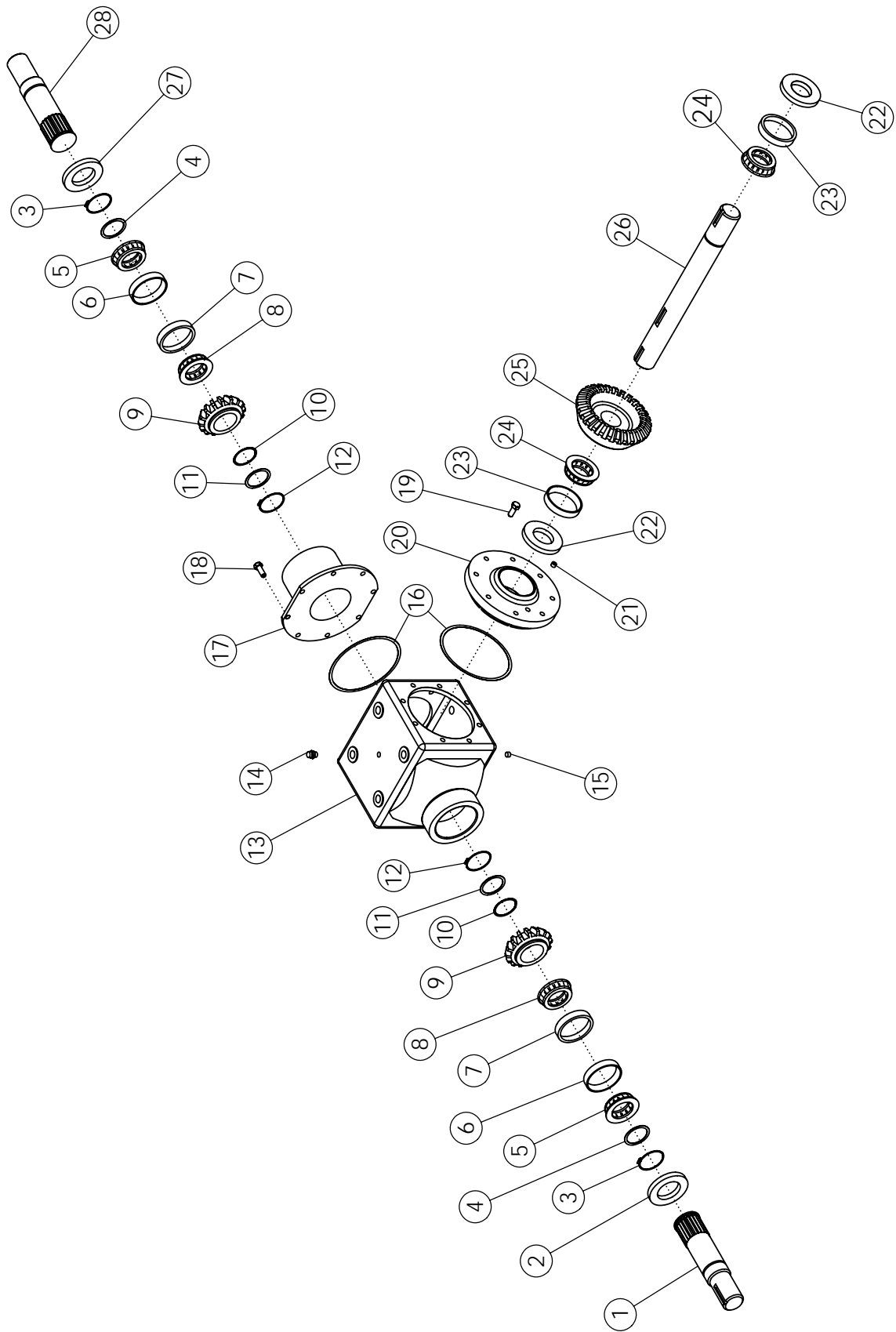
ITEM	PART NO.	DESCRIPTION	QTY
1	72501	PLATE-PADDLE SHAFT SENSOR	2
2	72495	PLATE-GRABROLL SENSOR FRONT	2
3	64390	SCREW-MACHINE RND SLT #4-40 X 1.00	6
4	64661	SENSOR W/DISCONNECT	6
5	64393	WASHER-FLAT: #4 ZP	6
6	64338	WASHER-LOCK: #4 ZP	6
7	64391	NUT-HEX: #4-40 SS	6
8	64381	WLDMT-SET COLLAR 1.75"	2
9	1013024	WASHER-FLAT: .63 ZP	2
10	64386	WLDMT-COLLAR PADDLE SHAFT	2
11	72500	PLATE-APRON CHAIN SENSOR	2
12	64388	WLDMT-SPLIT COLLAR 1.75"	2
13	72969	CONTROL BOX - MONITOR 12R	1
14	64383	MOUNT-SHAFT MONITOR CONTROL	1
15	72968	HARNESS-SHAFT MONITOR 12R	1
16	1013942	BOLT-HEX: .25 X 2.25 NC GR5 ZP	2
17	1030946	NUT-TOPLOCK: .25 NC GR5 ZP	2
18	64656	BRACKET- DEPTH SWITCH	1
19	64805	SPACER-DEPTH SWITCH	1
20	64655	SWITCH-DEPTH SHUT-OFF	1
21	1013122	CABLE TIE (NOT SHOWN)	AR
22	62833	CLAMP-ADHESIVE (NOT SHOWN)	AR



PTO DRIVELINE #51481

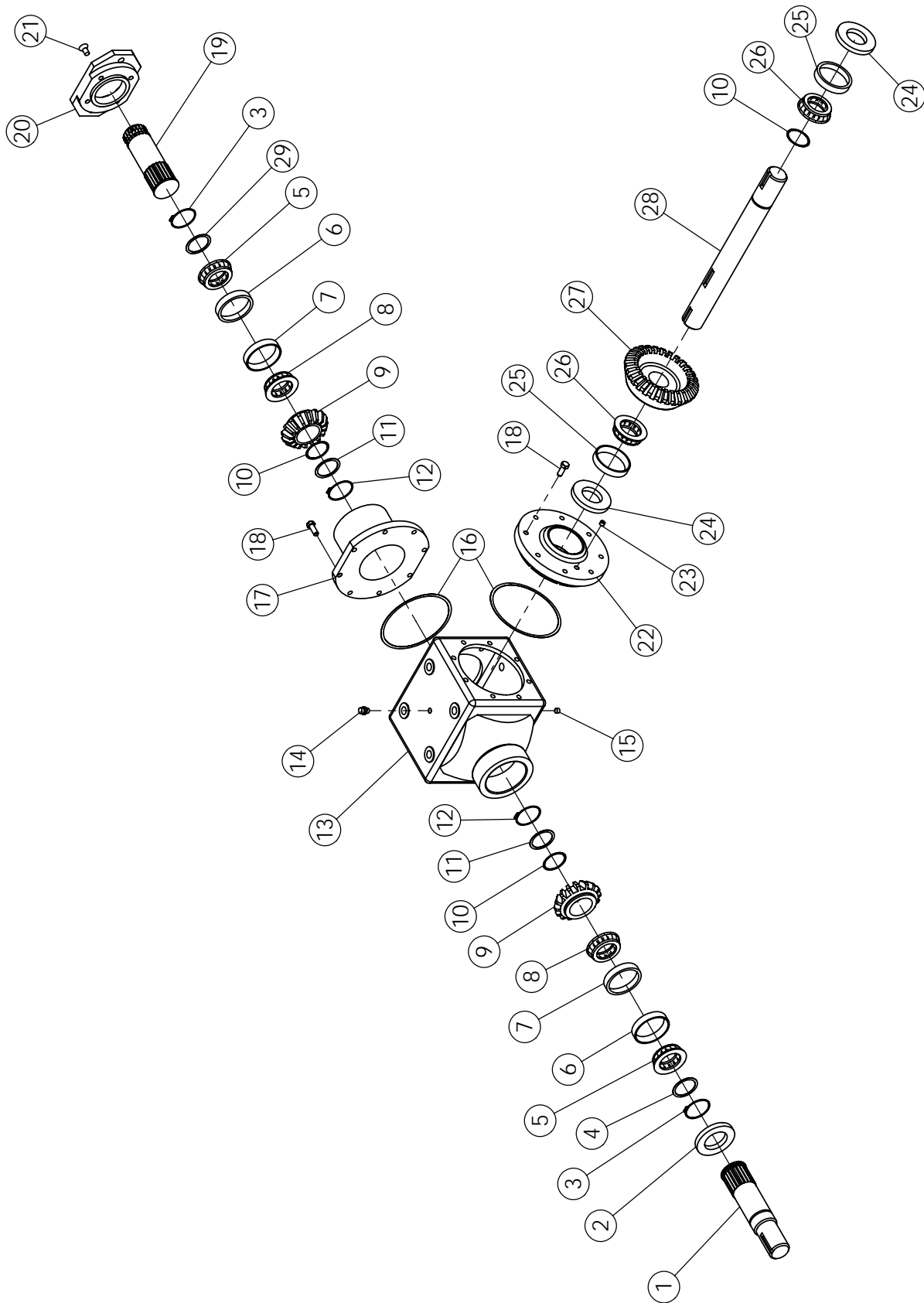
1.75" - 20 SPLINE

ITEM	PART NO.	DESCRIPTION	QTY
1	62123	SAFETY SLIDE LOCK REPAIR KIT	1
2	54157	SAFETY SLIDE LOCK YOKE ASSEMBLY	1
3	54159	CAT 5 CROSS & BEARING KIT	2
4	64411	CV CENTER HOUSING ASSEMBLY	1
5	64398	NYLON REPAIR KIT	2
6	54161	ZERK-GREASE STRAIGHT	4
7	64412	FULL GUARD SET W/NYLON BEARINGS	1
8	54172	35R CROSS & BEARING KIT	1
9	57286	BALL SHEAR ASSEMBLY	1
10	1030700	NUT-TOPLOCK: .31 NC GR5 ZP	1
11	1011285	BOLT-HEX: .31 X 2.00 NC GR5 ZP	1



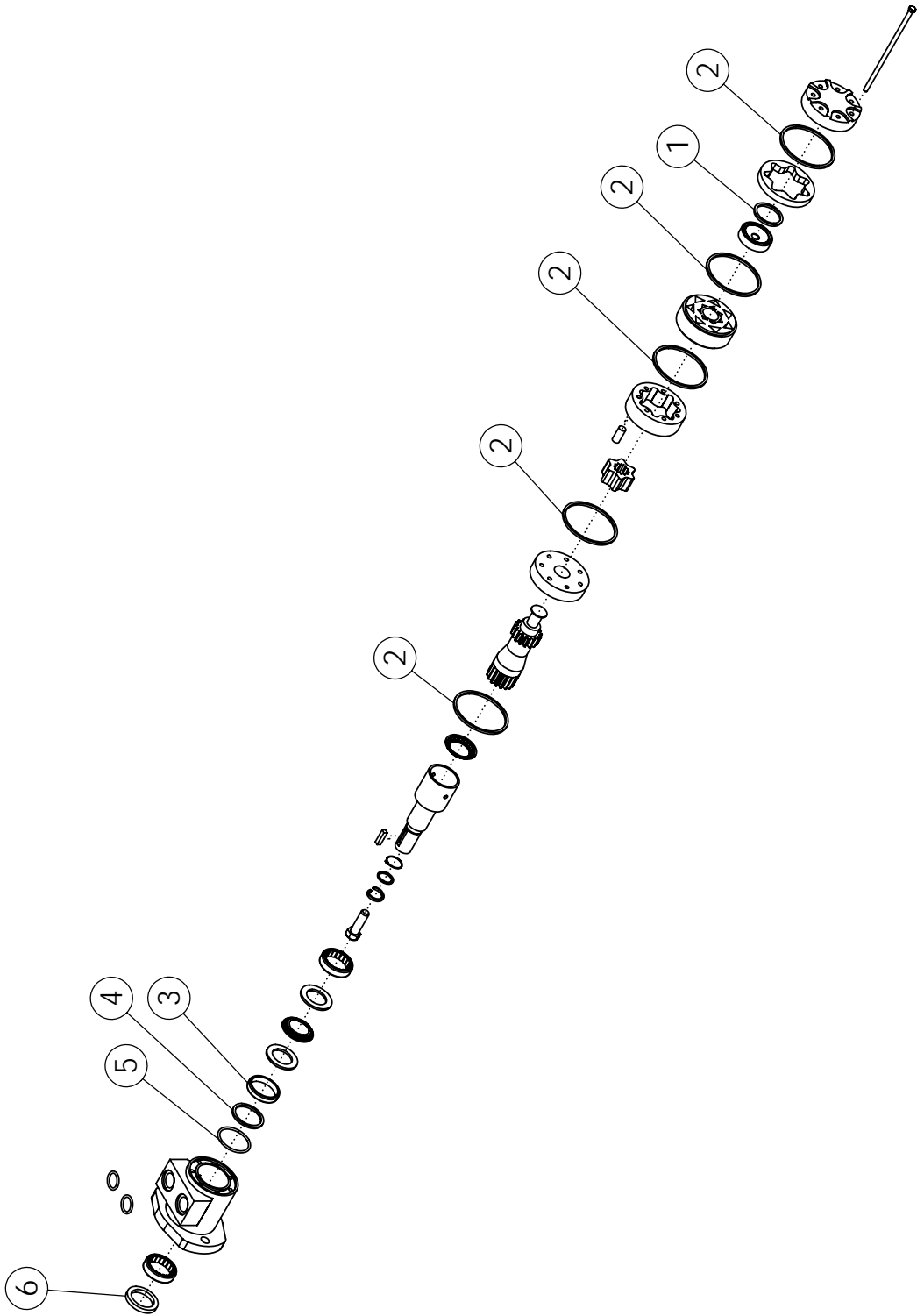
GEARBOX (1.81:1) #72912

ITEM	PART NO.	DESCRIPTION	QTY
1	62721	QUILL SHAFT	1
2	62722	SEAL: 2.00 X 3.263	1
3	62724	SNAP RING	2
4	62723	WASHER 2.00 X .134	2
5	62725	BEARING CONE	2
6	62726	BEARING CUP	2
7	62727	BEARING CUP	2
8	62728	BEARING CONE	2
9	62729	PINION-16 TOOTH	2
10	62730	SHIM: 1.75 X .007	2
11	68599	WASHER	2
12	62732	SNAP RING	1
13	62733	CASE-900 SERIES	1
14	64408	VENT PLUG: .50 NPT (SQ. HD.)	1
15	62735	PLUG: .50 NPT	1
16	62736	SHIM-COVER	2
17	62737	QUILL HOUSING	1
18	1011599	BOLT-HEX: .38 X .75 NC GR5 ZP	8
19	62738	BOLT-HEX: .38 X 1.00 NC GR5 NP	8
20	62742	COVER-OPEN .375 NPT	1
21	62743	PLUG: .38 NPT	1
22	62744	OIL SEAL: 1.75 X .313	2
23	62745	BEARING CUP	2
24	62746	BEARING CONE	2
25	64410	GEAR-29 TOOTH	1
26	64409	THRU SHAFT	1
27	64436	SEAL-OIL	1
28	68600	QUILL SHAFT	



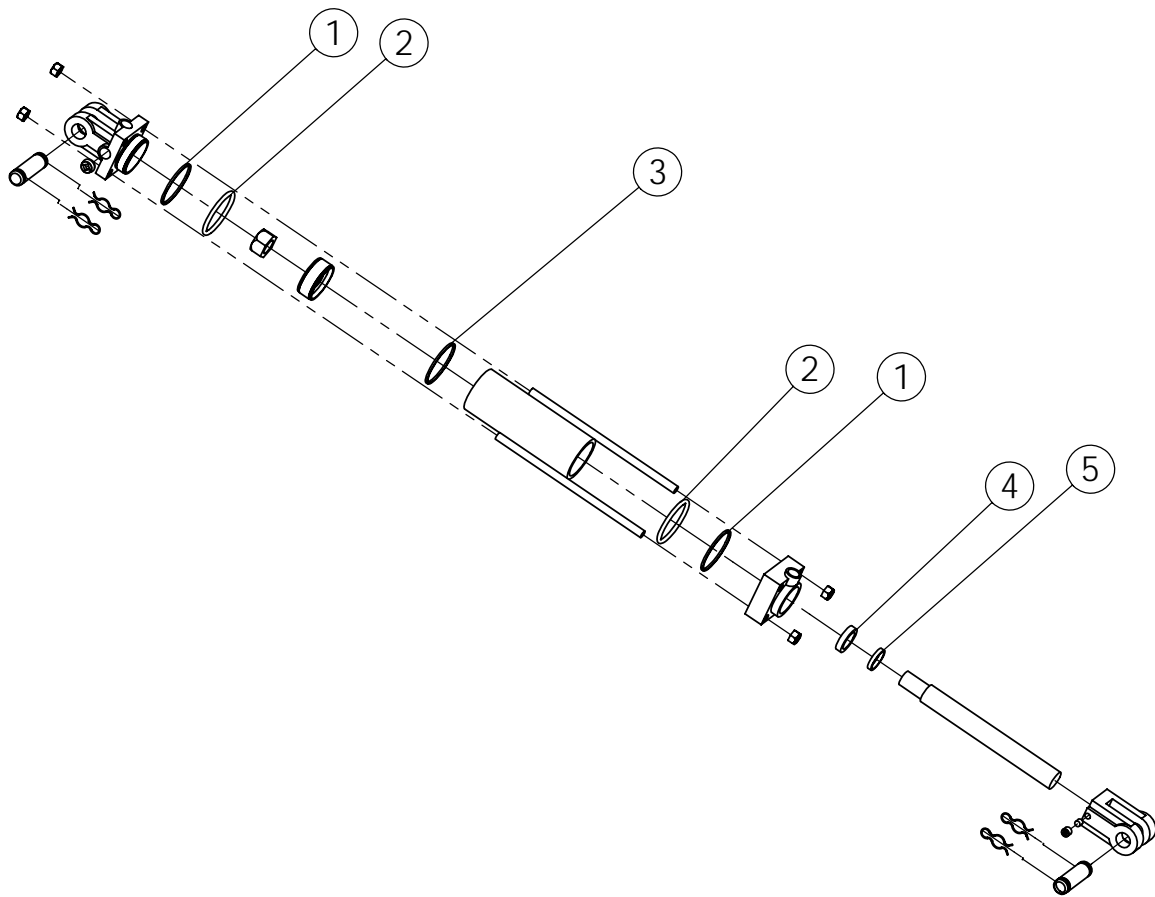
GEARBOX (1.81:1) #62015

ITEM	PART NO.	DESCRIPTION	QTY
1	62721	QUILL SHAFT	1
2	62722	SEAL: 2.00 - 3.26	1
3	62724	SNAP RING	2
4	62723	WASHER 2.00 X .13	2
5	62725	BEARING CONE	2
6	62726	BEARING CUP	2
7	62727	BEARING CUP	2
8	62728	BEARING CONE	2
9	62729	PINION-16 TOOTH	2
10	62730	SHIM: 1.75 X .007	3
11	62731	WASHER 1.75 X .179	2
12	62732	SNAP RING	2
13	62733	CASE-900 SERIES	1
14	64408	VENT PLUG: .50 NPT (SQ. HD.)	1
15	62735	PLUG: .50 NPT	1
16	62736	SHIM-COVER	2
17	62737	QUILL HOUSING	1
18	62738	BOLT-HEX: .38 X 1.00 NC GR5 NP	16
19	65897	QUILL SHAFT	1
20	68596	FLANGE: 'SAE B' -2.00 BOLT	1
21	62741	SFHCS: .38 X .75 NC GR5	4
22	62742	COVER-OPEN .38 NPT	1
23	62743	PLUG: .38 NPT	1
24	62744	OIL SEAL: 1.75 X .31	2
25	62745	BEARING CUP	2
26	62746	BEARING CONE	2
27	64410	GEAR-29 TOOTH	1
28	64409	THRU SHAFT	1
29	68598	WASHER	1



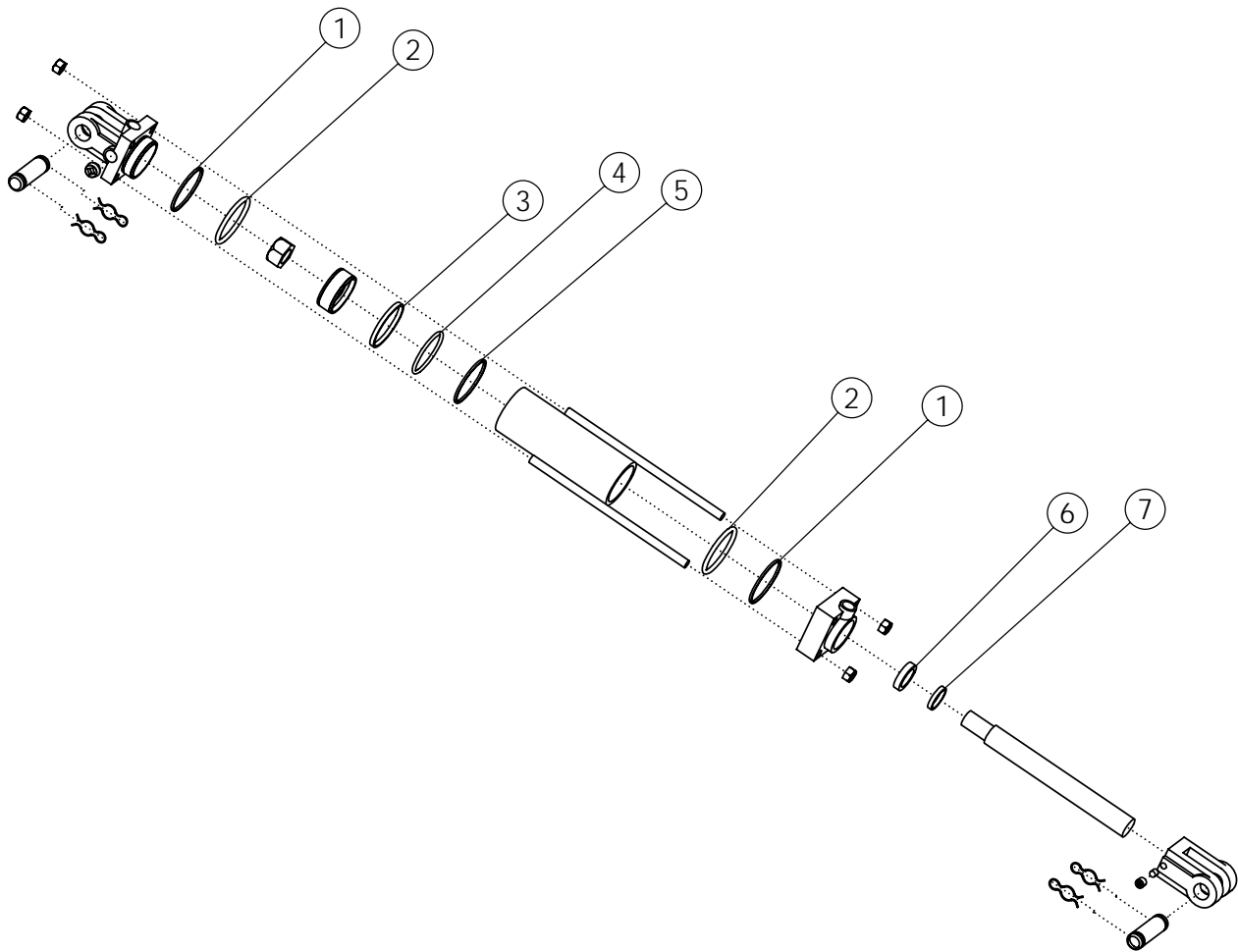
MOTOR: 32.3 IN³ #57686

ITEM	PART NO.	DESCRIPTION	QTY
	57880	SEAL KIT	
1		COMMUTATOR SEAL	1
2		SEAL RING	5
3		INNER SEAL	1
4		BACKUP WASHER	1
5		BACKUP WASHER	1
6		DIRT & WATER SEAL	1



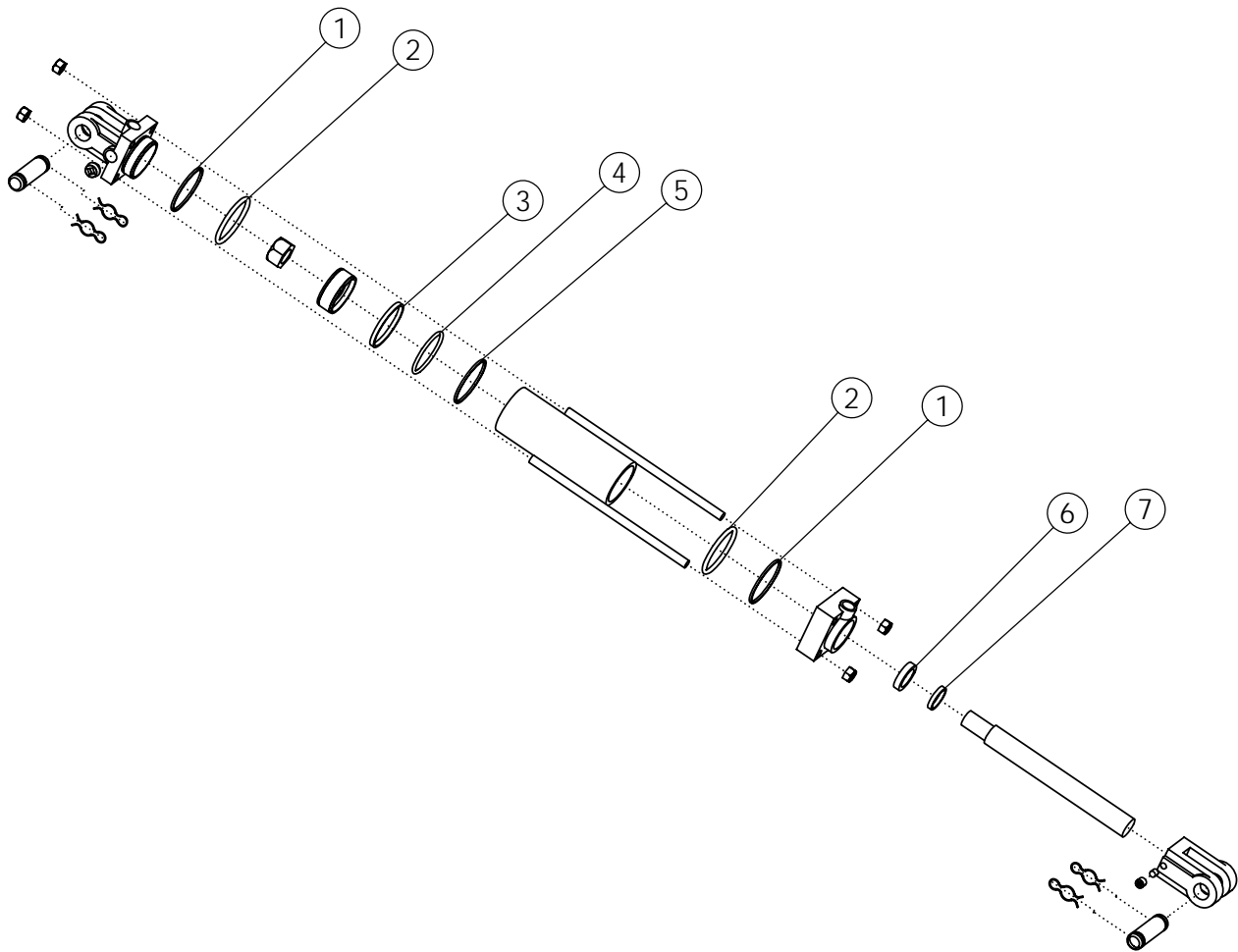
HYDRAULIC CYLINDER: 2.5X16 #58889

ITEM	PART NO.	DESCRIPTION	QTY
	59242	SEAL KIT - CYLINDER 2.5"; 3000 PSI	
1		BACKUP WASHER - END CAP	2
2		O-RING - END CAP	2
3		PISTON SEAL	1
4		ROD SEAL	1
5		ROD DUST SEAL	1



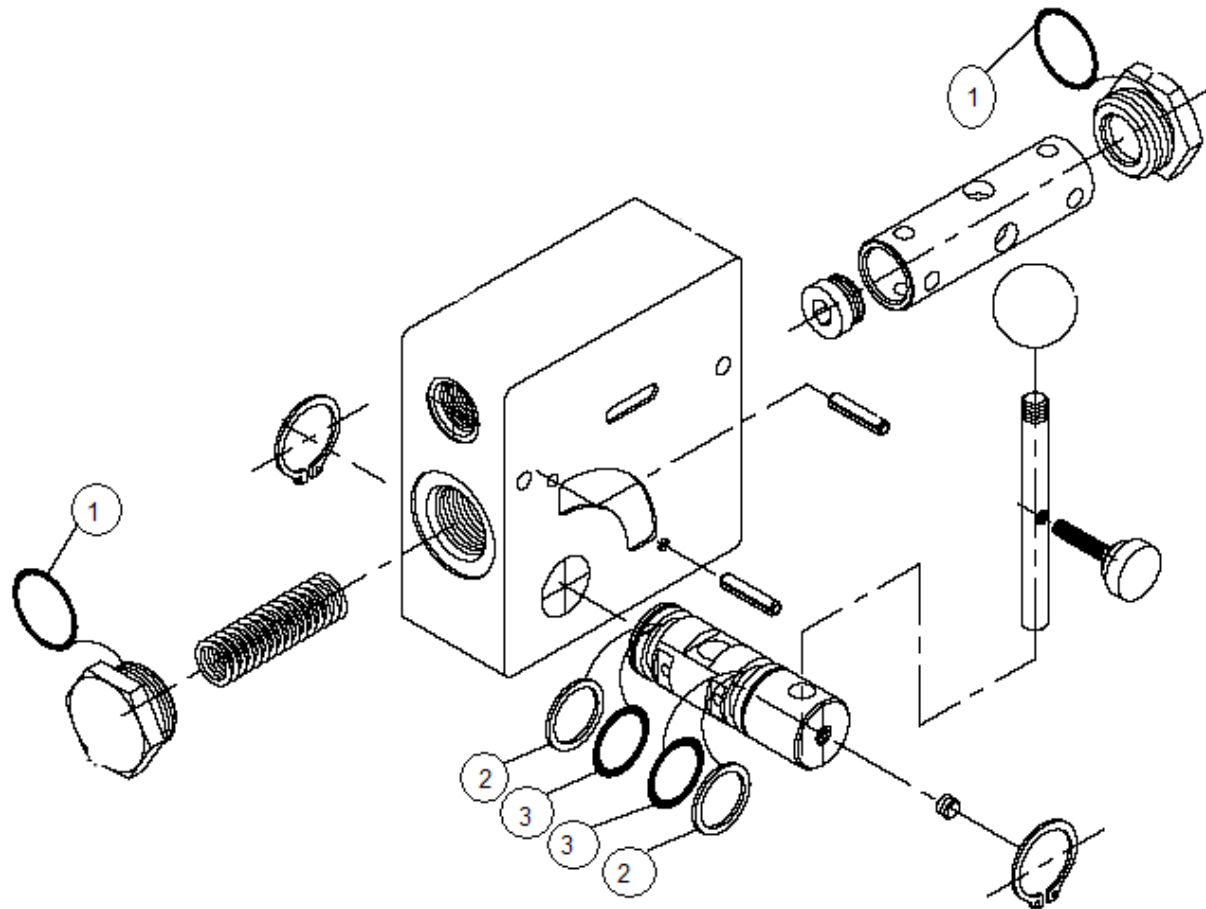
HYDRAULIC CYLINDER: 4X8 #58891

ITEM	PART NO.	DESCRIPTION	QTY
	59244	SEAL KIT - CYLINDER 4"; 3000 PSI	
1		BACKUP WASHER-END CAP	2
2		O-RING-END CAP	2
3		WEAR RING-PISTON	1
4		O-RING	1
5		PISTON SEAL	1
6		SEAL-ROD WIPER	1
7		SEAL-ROD DUST	1



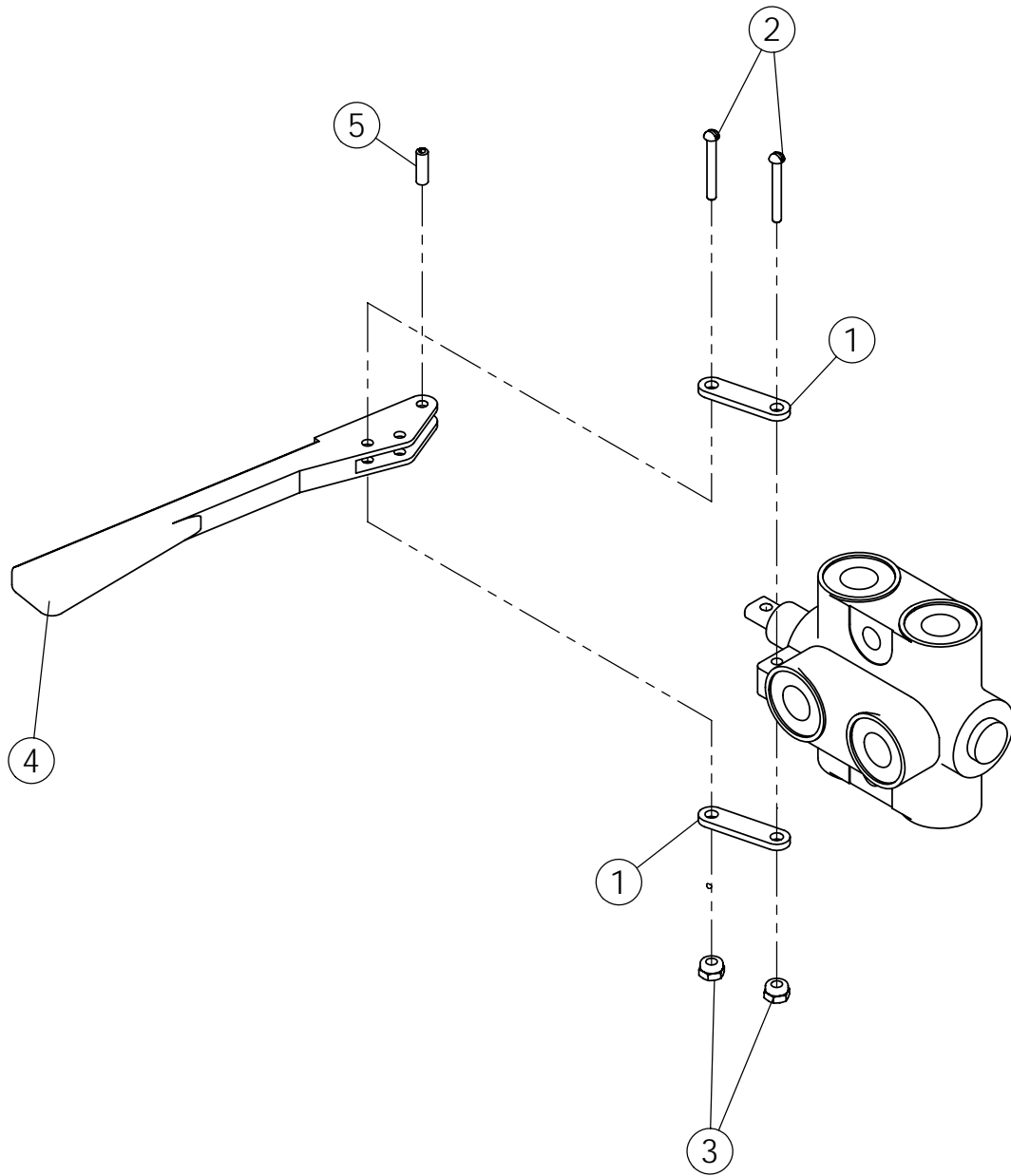
HYDRAULIC CYLINDER: 4X10 #72950

ITEM	PART NO.	DESCRIPTION	QTY
	59244	SEAL KIT - CYLINDER 4"; 3000 PSI	
1		BACKUP WASHER-END CAP	2
2		O-RING-END CAP	2
3		WEAR RING-PISTON	1
4		O-RING	1
5		PISTON SEAL	1
6		SEAL-ROD WIPER	1
7		SEAL-ROD DUST	1



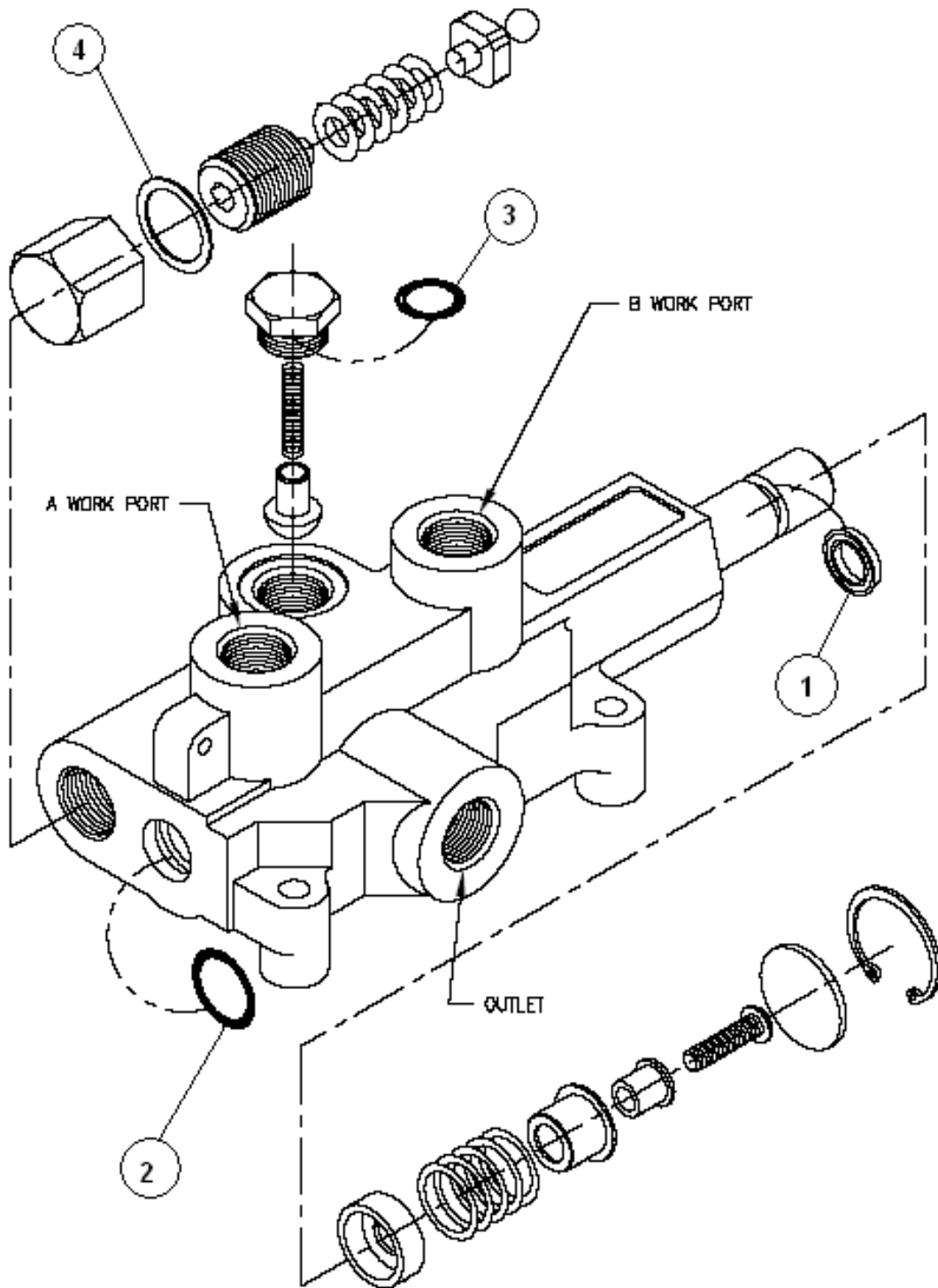
FLOW CONTROL VALVE #58985

ITEM	PART NO.	DESCRIPTION	QTY
	64414	SEAL KIT	
1		O-RING	2
2		BACK-UP WASHER	2
3		O-RING	2



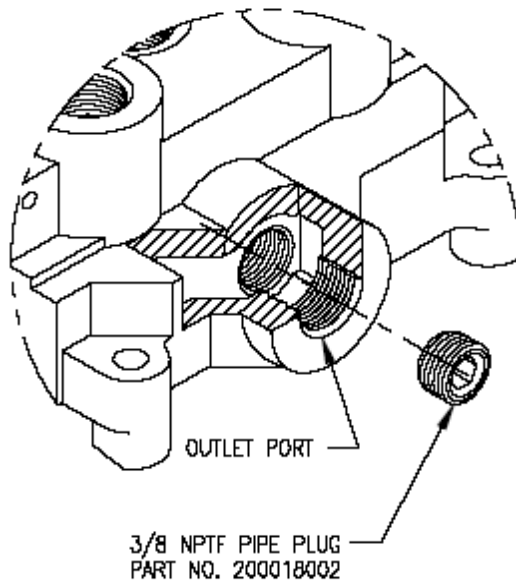
SELECTOR VALVE #58470

ITEM	PART NO.	DESCRIPTION	QTY
	64432	QUAD RING SEAL KIT	2
	58470-1	HANDLE KIT	1
1	68060	PLATE-TAB SELECTOR VALVE ZP	2
2	1011303	SCREW-MACH RND SLT: #10-24 X 1.25	2
3	65712	NUT-NYLOCK: 10-24 GR2 SS	2
4		HANDLE	1
5		SPRING PIN	1



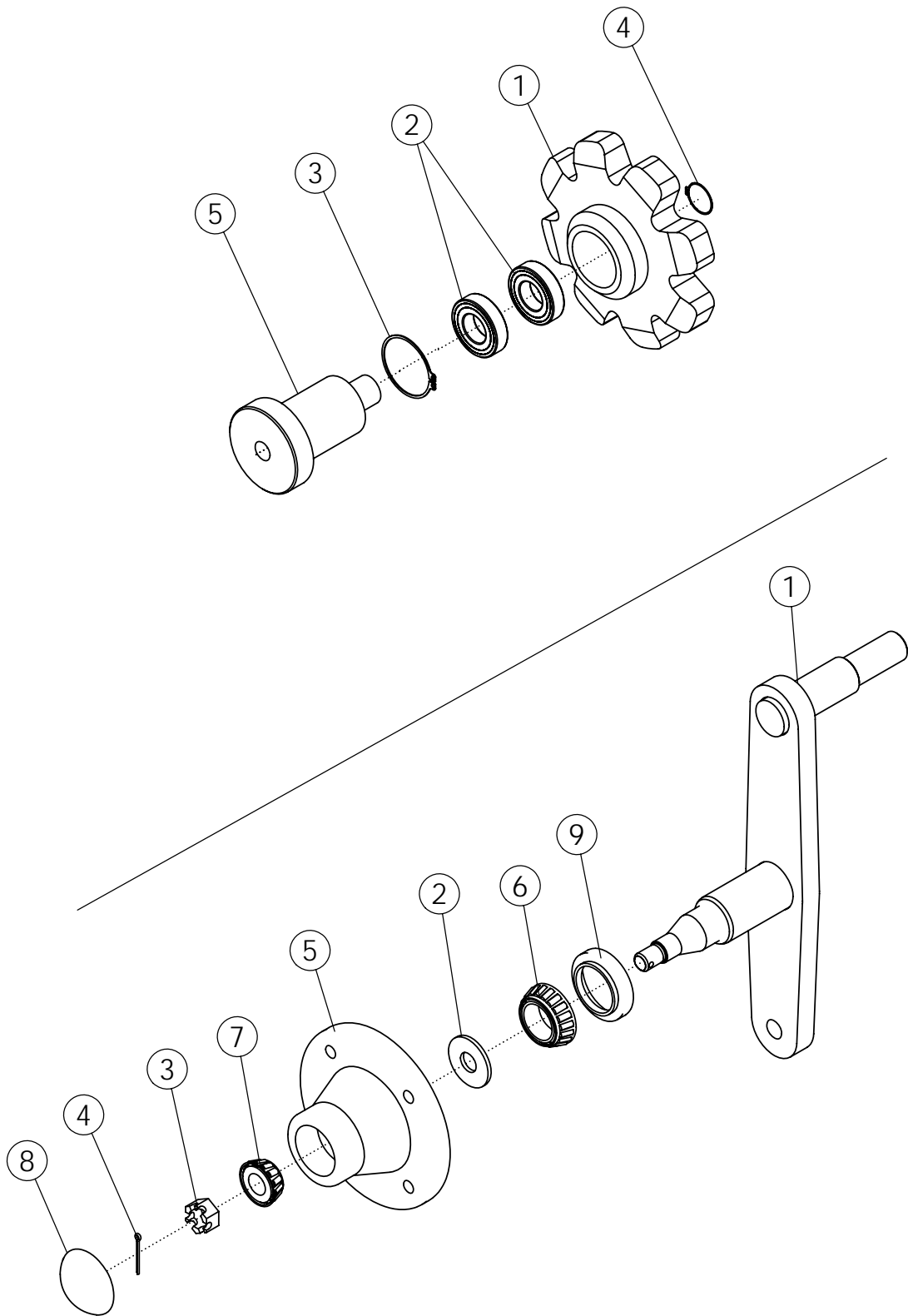
ROW FINDER VALVE #62350

ITEM	PART NO.	DESCRIPTION	QTY
	62757	SEAL KIT	
1		U-CUP	1
2		O-RING	1
3		O-RING	1
4		ALUMINUM WASHER	1



OPEN CENTER TO CLOSED CENTER CONVERSION

THIS FEATURE ALLOWS AN OTHERWISE OPEN CENTER VALVE TO BE CONVERTED TO CLOSED CENTER OPERATION. AS SHOWN ABOVE, A 3/8 NPTF PIPE PLUG IS INSTALLED IN THE BOTTOM OF THE OUTLET PORT TO BLOCK OPEN CENTER PASSAGE. A PIPE THREAD SEALANT SHOULD BE USED. THIS FEATURE IS STANDARD ON ALL VALVES WITH 3/4 NPTF INLET AND OUTLET PORTS. THE PIPE PLUG IS INCLUDED WITH THESE MODELS. DISCARD THE PIPE PLUG IF THE VALVE IS USED ON AN OPEN CENTER APPLICATION.



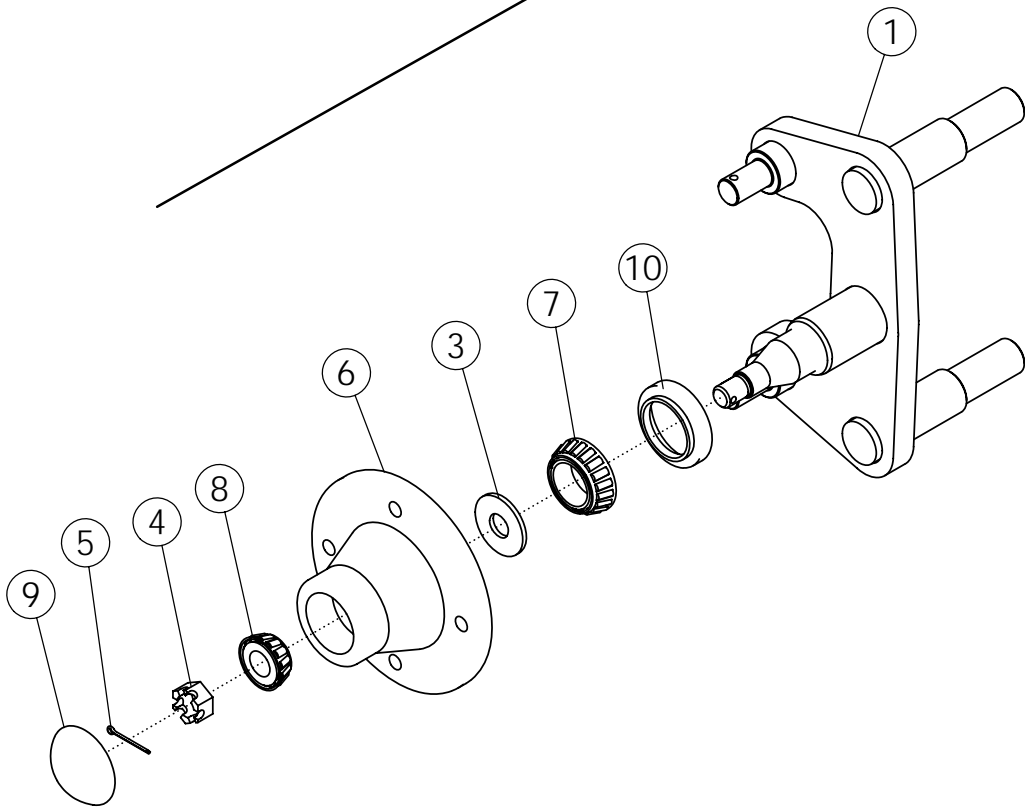
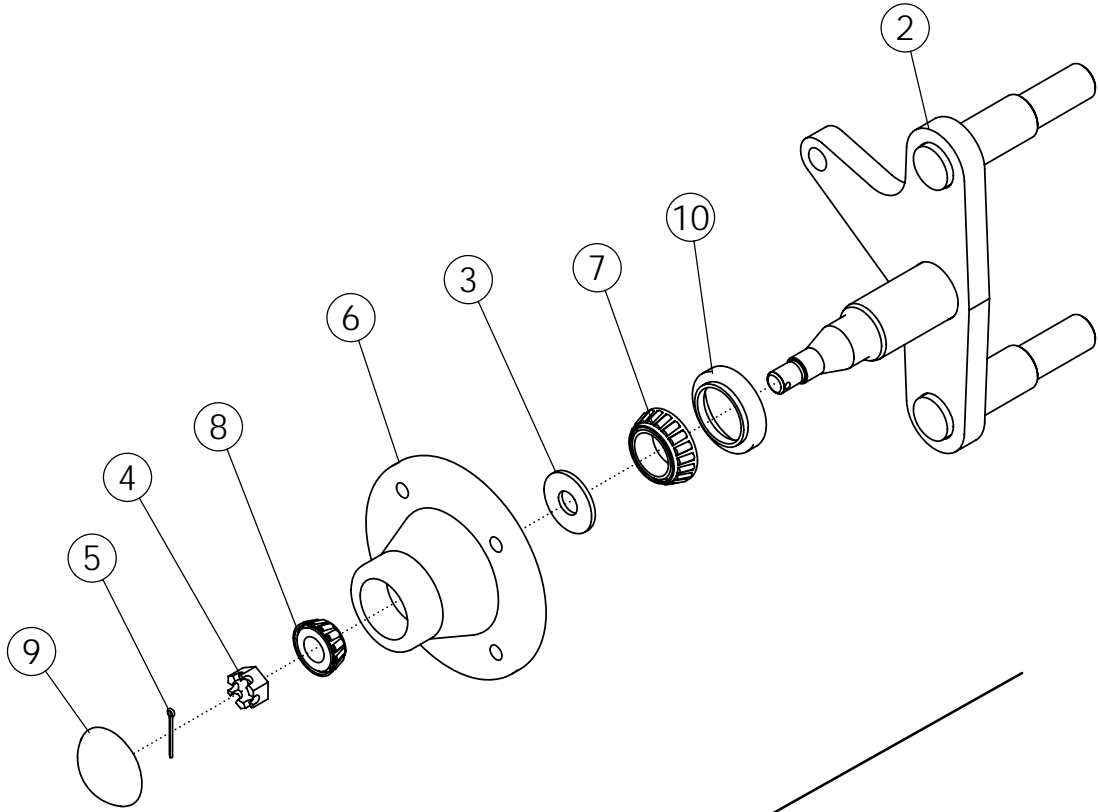
SPROCKET #54824

ITEM	PART NO.	DESCRIPTION	QTY
1	56893	SPROCKET 56MM 8T	1
2	54108	BEARING 2"	2
3	54151	SNAP RING SR11	1
4	54154	SNAP RING SR3	1
5	56892	STUB SHAFT	1

BELT TIGHTENER #72749

ITEM	PART NO.	DESCRIPTION	QTY
1	72748	WLDMT-REAR IDLER	1
2	1013623	BUSHING-MACH .63 NP	1
3	1013625	NUT-SLOTTED .63 NF GR5 ZP	1
4	1013626	PIN-COTTER: .16 X 1.25 ZP	1
5	1023120*	HUB	1
6	1012356*	CONE BEARING	1
7	1013620*	CONE BEARING	1
8	1013622*	HUB CAP	1
9	1029527*	SEAL	1
10	1023120	ASSY HUB	1

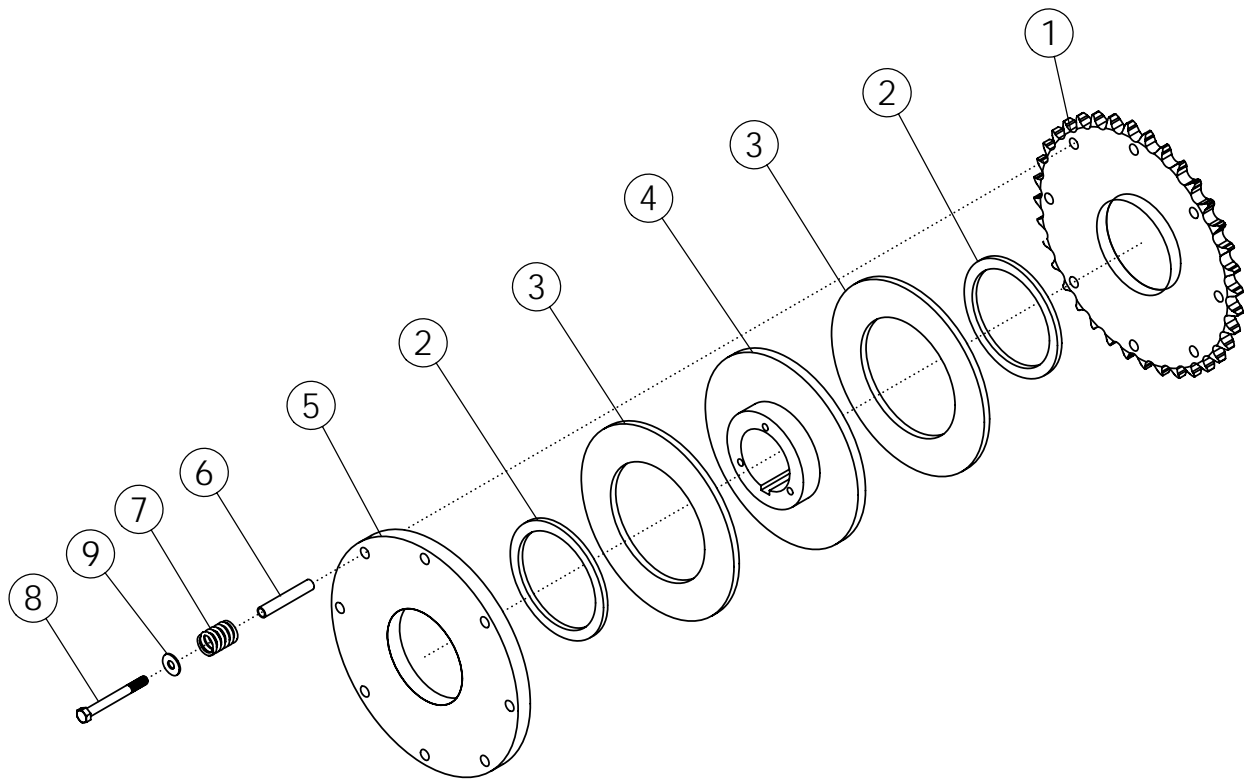
* Items are included in item 11



BELT TIGHTENER #72058 & 72453

ITEM	PART NO.	DESCRIPTION	QTY
1	72059	WLDMT-SPINDLE	1
2	72752	WLDMT-SPINDLE	1
3	1013623	BUSHING-MACH .63 NP	1
4	1013625	NUT-SLOTTED .63 NF GR5 ZP	1
5	1013626	PIN-COTTER: .16 X 1.25 ZP	1
6	1023120*	HUB	1
7	1012356*	CONE BEARING	1
8	1013620*	CONE BEARING	1
9	1013622*	HUB CAP	1
10	1029527*	SEAL	1
11	1023120	ASSY HUB	1

* Items are included in item 11



SLIP CLUTCH/SPOCKET #72030

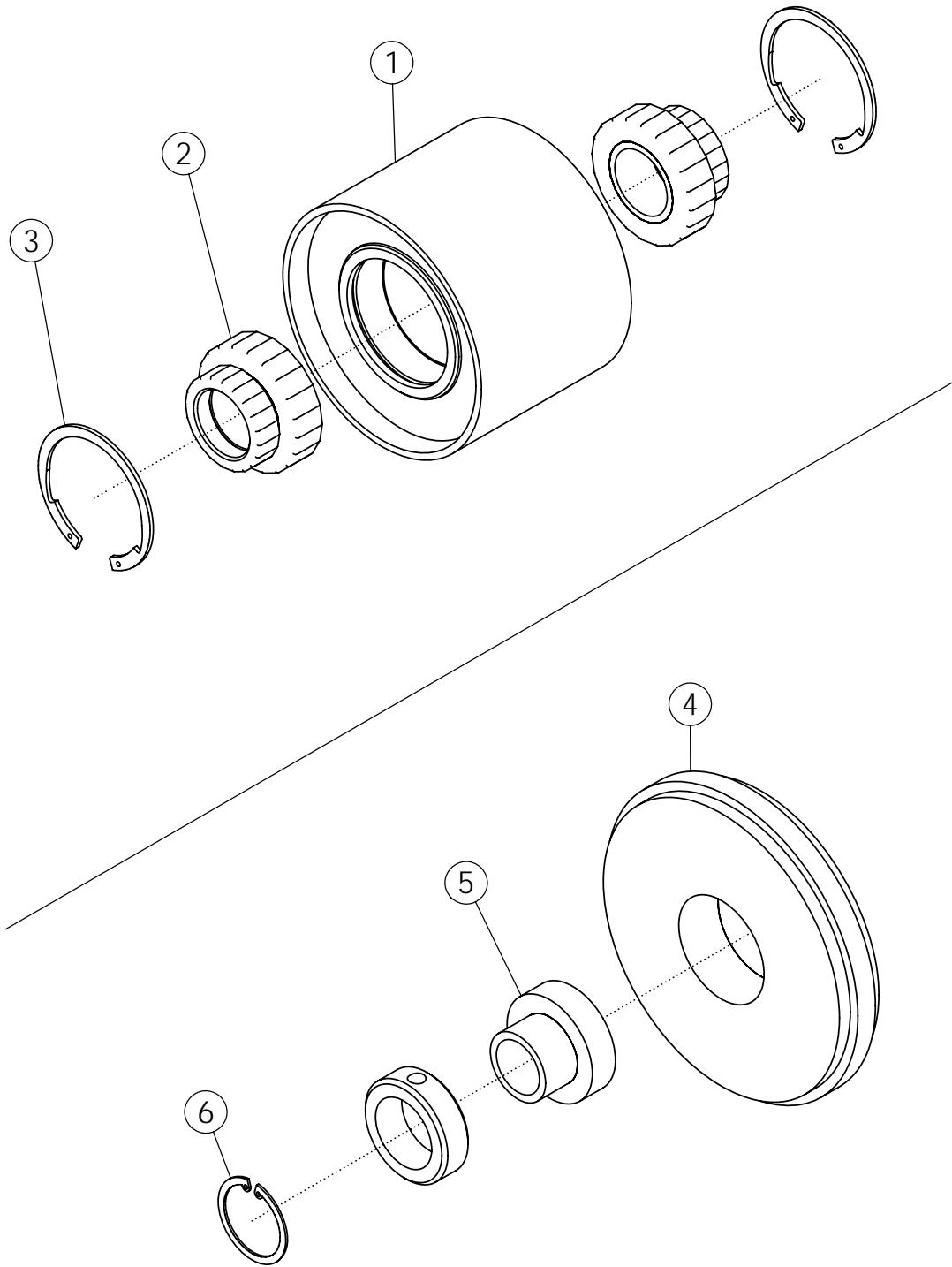
ITEM	PART NO.	DESCRIPTION	QTY
1	72986	SPROCKET	1
2	58208	BUSHING-BRONZE	2
3	58216	DISC-FIBER	2
4	58210	HUB-CLUTCH	1
5	58212	PLATE-SLIP CLUTCH	1
6	58565	TUBE-SLIP CLUTCH (PTG)	6
7	58174	SPRING-SLIP CLUTCH	6
8	1013239	BOLT-HEX: .38 X 3.00 NC GR5 ZP	6
9	1011828	WASHER-FLAT: .38 ZP	6

SLIP CLUTCH/SPOCKET #58335

ITEM	PART NO.	DESCRIPTION	QTY
1	58566	SPROCKET	1
2	58208	BUSHING-BRONZE	2
3	58216	DISC-FIBER	2
4	58210	HUB-CLUTCH	1
5	58212	PLATE-SLIP CLUTCH	1
6	58565	TUBE-SLIP CLUTCH (PTG)	6
7	58174	SPRING-SLIP CLUTCH	6
8	1013239	BOLT-HEX: .38 X 3.00 NC GR5 ZP	6
9	1011828	WASHER-FLAT: .38 ZP	6

SLIP CLUTCH/SPOCKET #57993

ITEM	PART NO.	DESCRIPTION	QTY
1	58177	SPROCKET	1
2	58207	BUSHING-BRONZE	2
3	58215	DISC-FIBER	2
4	58209	HUB-CLUTCH	1
5	58211	PLATE-SLIP CLUTCH	1
6	58213	TUBE-SLIP CLUTCH (2.870")	8
7	58174	SPRING-SLIP CLUTCH	8
8	58176	BOLT-HEX: .38 X 3.50 NC GR5 ZP	8
9	1011828	WASHER-FLAT: .38 ZP	8

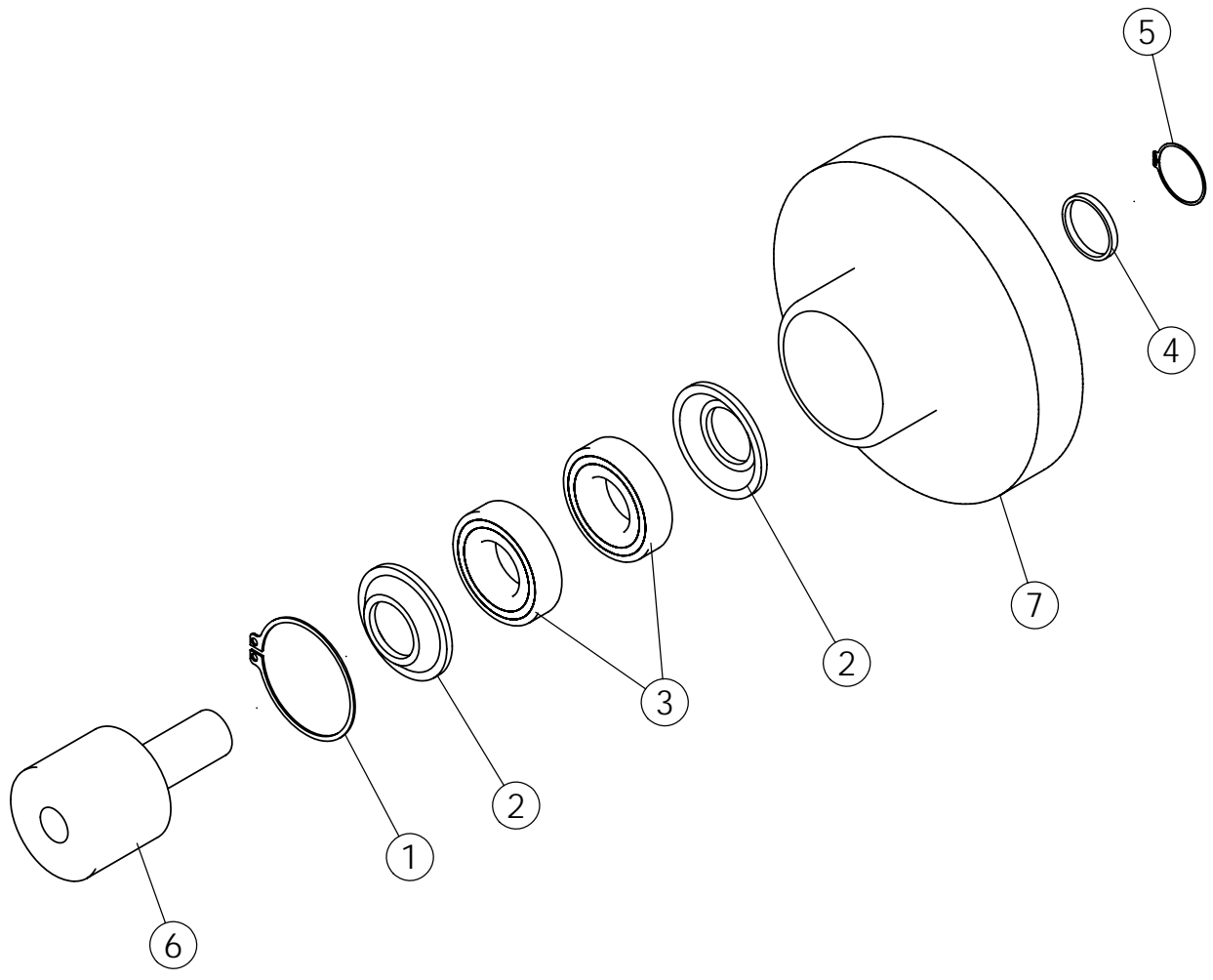


IDLER PULLEY #56406

ITEM	PART NO.	DESCRIPTION	QTY
1	56405	WLDMT-PULLEY	1
2	56399	BALL BEARING 1.75	2
3	56400	RETAINING RING	2

SPROCKET IDLER #56851

ITEM	PART NO.	DESCRIPTION	QTY
4	58807	ROLLER-IDLER	1
5	58806	BEARING-IDLER	1
6	58805	SNAP-RING	1

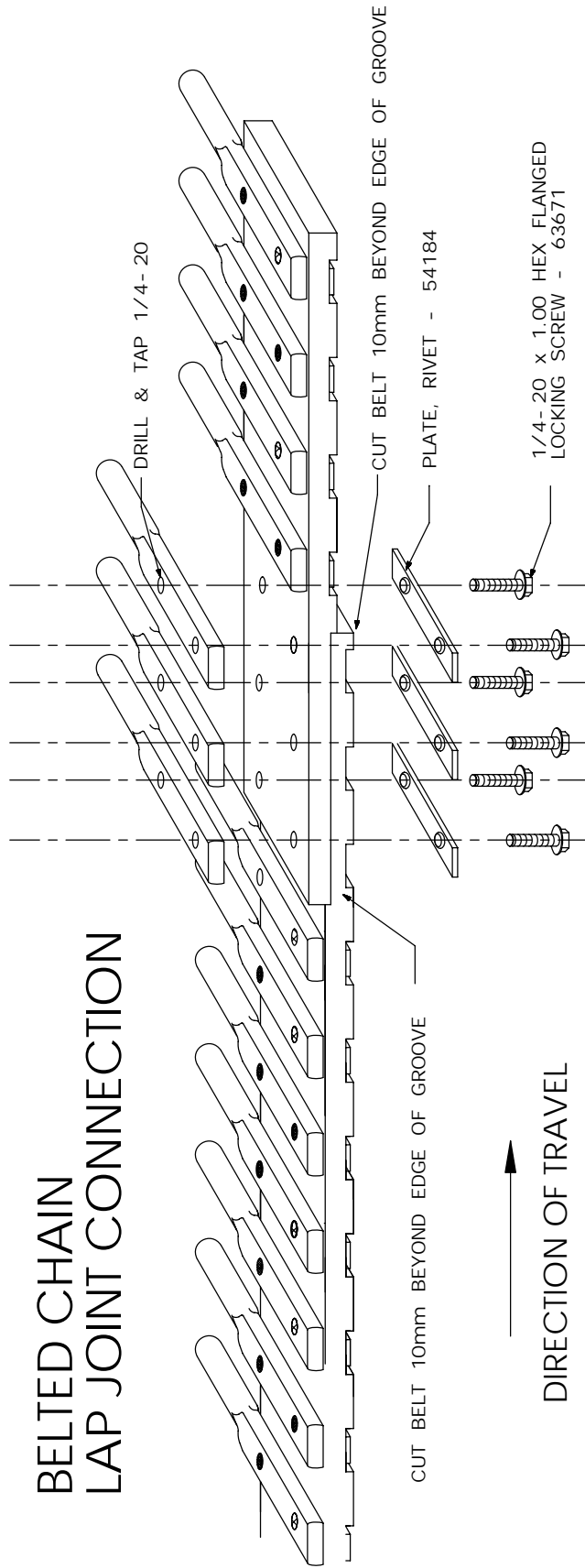


ROLLER

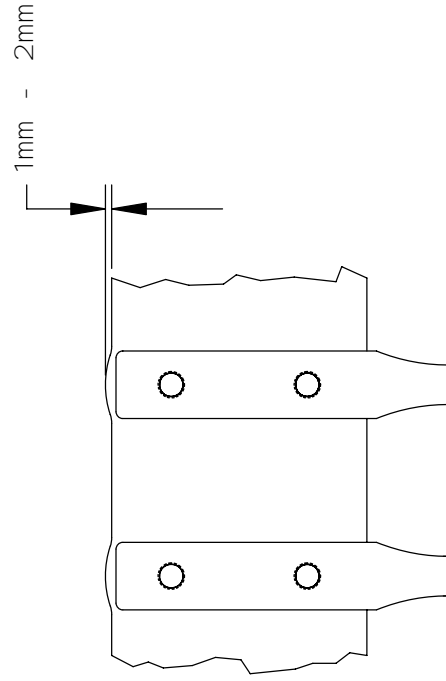
ITEM	PART NO.	DESCRIPTION	QTY
1	54151	SNAP RING SR11	1
2	54152	WASHER	2
3	54108	BEARING 2"	2
4	54153	SPACER-NRS	1
5	54154	SNAP RING SR3	1
6	56885	STUB SHAFT	1
7	54042*	ROLLER-STEP 6"	1

* COMES WITH ITEMS 1-6

BELTED CHAIN LAP JOINT CONNECTION



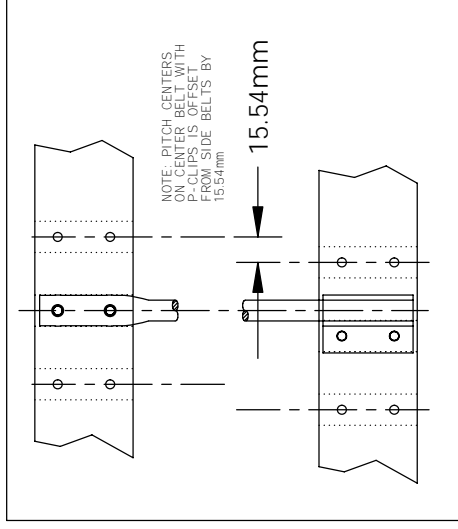
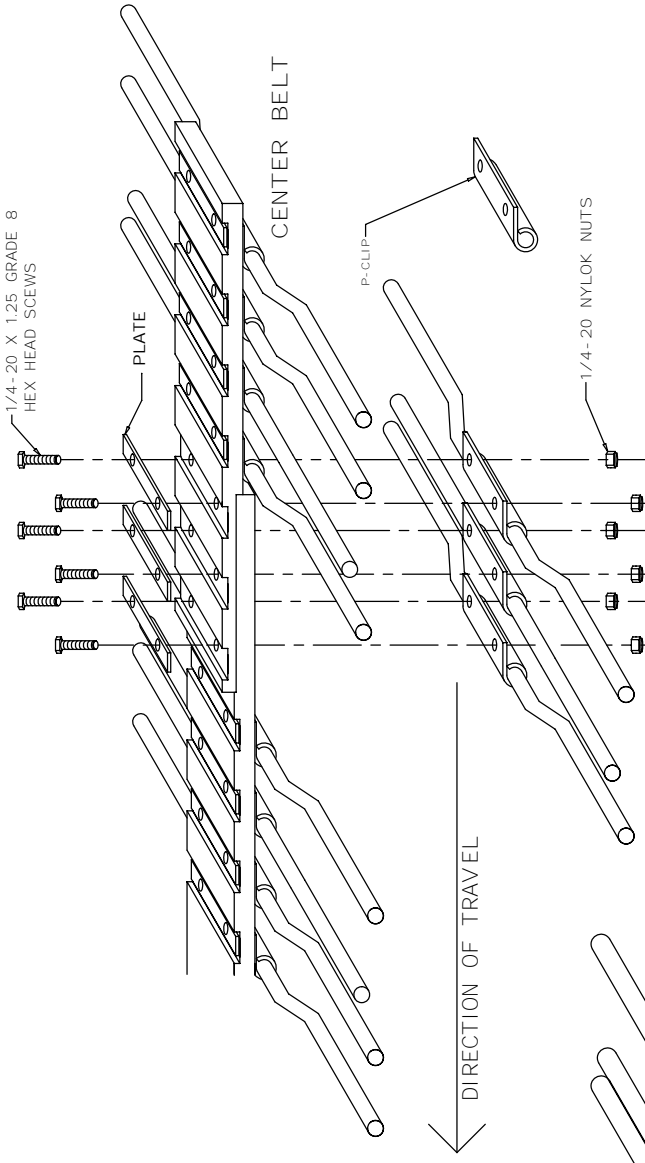
WARNING : ENSURE THAT SCREWS ARE SUFFICIENTLY TIGHT TO PRODUCE A BULGE AT THE EDGE OF THE BELT OF BETWEEN 1 AND 2mm (SEE DIAGRAM). FAILURE TO DO SO MAY CAUSE PREMATURE FAILURE AND VOID YOUR WARRANTY



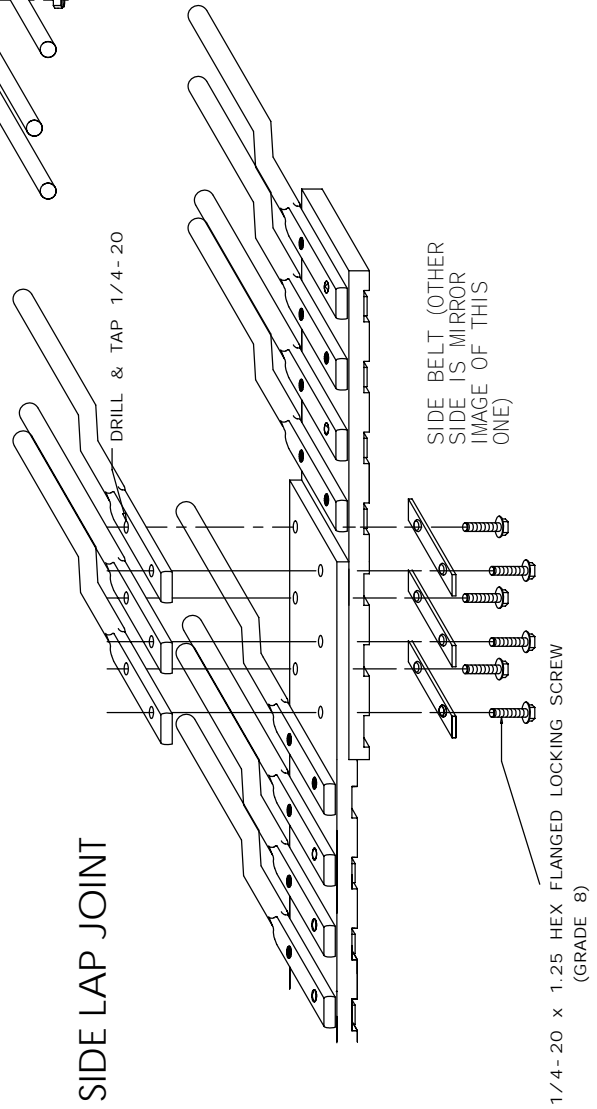
.50 Ø RODS
DRILL & TAP .250-20
STRAIGHT - #59168
UP - #64757
DOWN - #59169

3 BELT CHAIN - LAP JOINT

CENTER LAP JOINT



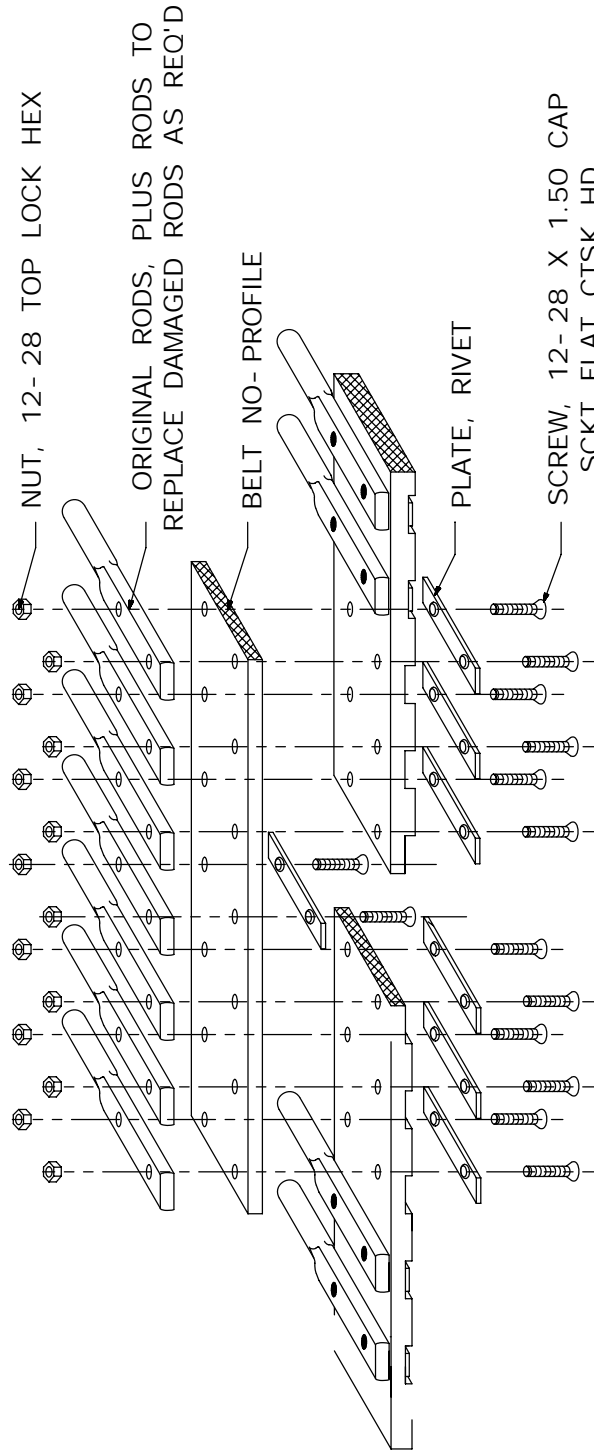
SIDE LAP JOINT



REPAIR KIT - BELTED CHAIN #59180

KIT CONSISTS OF:

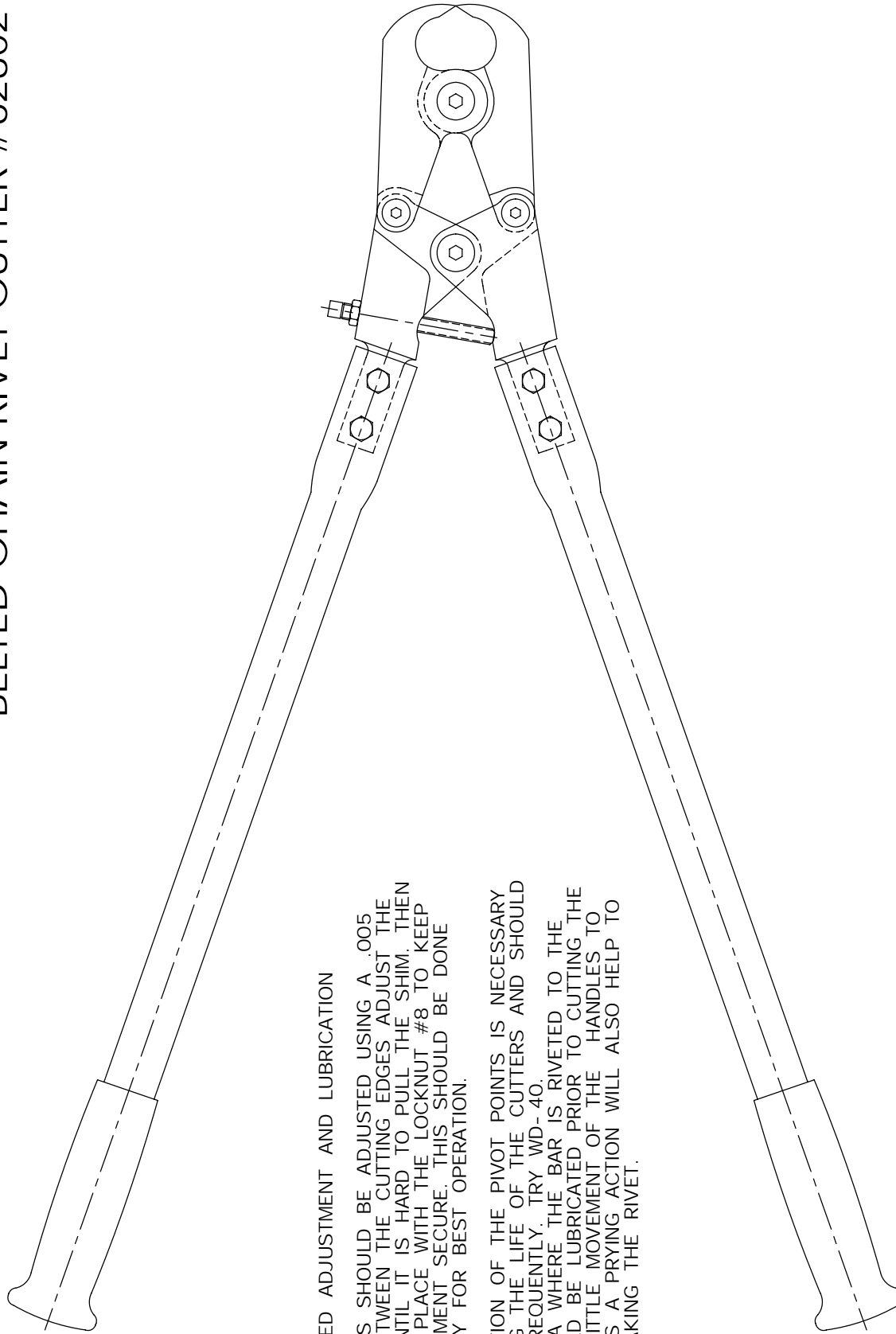
- 1.25 FT - BELT, NO-PROFILE
- 8 EA - PLATE, RIVET
- 16 EA - SCREW
- 16 EA - NUT



REPAIR PROCEDURE

1. REMOVE RIVETS, 3 PITCHES (MIN) EACH SIDE OF DAMAGED BELT.
2. TRIM OUT DAMAGED BELT.
3. CUT NO-PROFILE BELT TO GIVE MINIMUM OF 3 PITCHES OVERLAP BOTH SIDES OF DAMAGE.
4. LAY NO-PROFILE BELT ON BELT TO BE REPAIRED AND DRILL HOLES TO MATCH PITCH.
5. ASSEMBLE AS SHOWN.
6. TIGHTEN SCREWS TO FORM APPROXIMATELY 2mm BELT SWELL AT BOLTED JOINT.
7. CUT OFF SCREWS NEXT TO NUTS.
8. PEEN SCREWS TO SECURE NUTS.

BELTED CHAIN RIVET CUTTER #62802



RECOMMENDED ADJUSTMENT AND LUBRICATION

1. THE JAWS SHOULD BE ADJUSTED USING A .005 IN. SHIM BETWEEN THE CUTTING EDGES. ADJUST THE BOLT #7 UNTIL IT IS HARD TO PULL THE SHIM. THEN LOCK IT IN PLACE WITH THE LOCKNUT #8 TO KEEP THE ADJUSTMENT SECURE. THIS SHOULD BE DONE PERIODICALLY FOR BEST OPERATION.
2. LUBRICATION OF THE PIVOT POINTS IS NECESSARY TO PROLONG THE LIFE OF THE CUTTERS AND SHOULD BE DONE FREQUENTLY. TRY WD-40.
3. THE AREA WHERE THE BAR IS RIVETED TO THE BELT SHOULD BE LUBRICATED PRIOR TO CUTTING THE RIVETS. A LITTLE MOVEMENT OF THE HANDLES TO THE SIDE AS A PRYING ACTION WILL ALSO HELP TO FINISH BREAKING THE RIVET.