



# 1073 & 1084 Channel Amplifier

User Guide

527-341  
Issue 3

---

© 2004 AMS Neve plc own the copyright of all information and drawings contained in this manual which are not to be copied or reproduced by any means or disclosed in part or whole to any third party without written permission.

---

As part of our policy of continual product improvement, we reserve the right to alter specifications without notice but with due regard to all current legislation.

---

Disclaimer: The information in this manual has been carefully checked and is believed to be accurate at the time of publication. However, no responsibility is taken by us for inaccuracies, errors or omissions nor any liability assumed for any loss or damage resulting either directly or indirectly from use of the information contained within it.

---

#### HEAD OFFICE

AMS NEVE PLC • BILLINGTON ROAD • BURNLEY  
LANCS BB11 5UB • ENGLAND  
TELEPHONE: +44 (0) 1282 457011 • FAX: +44 (0) 1282 417282

#### LONDON OFFICE

TELEPHONE: +44 (0) 20 7916 2828 • FAX: +44 (0) 20 7916 2827

#### NORTH AMERICAN OFFICES

AMS NEVE INC., NEW YORK  
TEL: +1 (212) 965 1400 • FAX: +1 (212) 965 9306  
AMS NEVE INC., HOLLYWOOD  
TEL: +1 (818) 753 8789 • FAX: +1 (818) 623 4839

e-mail: [enquiry@ams-neve.com](mailto:enquiry@ams-neve.com)  
<http://www.ams-neve.com>

## Contents

---

|   |           |
|---|-----------|
| <b>Introduction</b>                             | <b>1</b>  |
| <b>High Pass Filter (resistor modification)</b> | <b>1</b>  |
| <b>Important Note</b>                           | <b>1</b>  |
| <b>Installation</b>                             | <b>2</b>  |
| <b>Dimensions</b>                               | <b>3</b>  |
| <b>Power Requirements</b>                       | <b>3</b>  |
| Mains Supply (rack units)                       | 4         |
| DC Power Supply Indicators (rack units)         | 4         |
| <b>Phantom Power</b>                            | <b>4</b>  |
| <b>Output Level Control</b>                     | <b>4</b>  |
| <b>Connector Details</b>                        | <b>5</b>  |
| <b>Amplifier Controls</b>                       | <b>6</b>  |
| 1073 Module                                     | 6         |
| 1084 Module                                     | 7         |
| <b>Specifications</b>                           | <b>8</b>  |
| 1073 and 1084 Modules                           | 8         |
| <b>Recall Sheets</b>                            | <b>9</b>  |
| 1073 - Vertical Module                          | 9         |
| 1073 - Horizontal Module                        | 10        |
| 1084 - Vertical Module                          | 11        |
| 1084 - Horizontal Module                        | 12        |
| <b>Service Information</b>                      | <b>13</b> |
| Schematic Drawing Index - 1073/1084 Racks       | 13        |
| Schematic Drawing Index - 1073 Module           | 13        |
| Schematic Drawing Index - 1084 Module           | 14        |

## Introduction

---

These 45 series modules are the same as the original designs, and contain all of the original components.

### 1073 Channel Amplifiers

These very popular sounding mic pre's are considered by many to capture the very essence of the Neve sound. In manufacture since the early 1970s, the Class A design offers 3 bands of EQ with one fixed high frequency and a high pass filter.

### 1084 Channel Amplifiers

Based on the same technology as the 1073s, the 1084s again deliver the unique sound and quality of Neve. However, the 1084s offer additional features, including 3 switchable EQ bands with cut and boost, a high Q for presence and low pass/high pass filters.

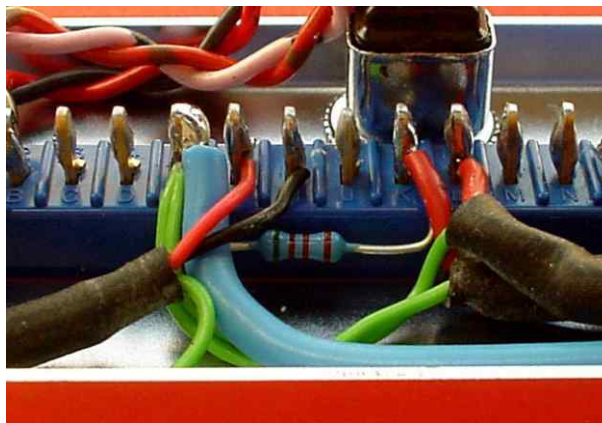
## High Pass Filter (resistor modification)

---

### Important Note


The high pass filter in both the 1073 & 1084 modules is a passive design and as such must be correctly terminated to achieve a maximally flat response.

In order to achieve this there is a 5k $\Omega$  resistor fitted inside the module on the back connector between pin E (0v) and pin K (fader send) see diagram below:



In situations where the **fader connection is not used** (most Neve 45 series consoles except BCM10's) then the resistor remains in place.

In situations where the **fader connection is used** (BCM10's and AMS Neve 1073/1084 racks) then the 5k $\Omega$  resistor should be disconnected and replaced with a fader or potentiometer whose value is 4k7 / 5k ohms.

 *All modules which leave the factory with either a 3U or 5U rack unit will have the 5K1 resistor removed.*

**Failure to do so will result in incorrect levels and uneven frequency response.**

## Installation

The 1073s and 1084s are available as stand-alone modules, or in a choice of two housings.

The 3U rack houses two modules mounted horizontally in a 19" rack-mounting unit.

The 5U rack houses eight modules mounted vertically in a 19" rack-mounting unit.

Both have rear panels with XLRs for transformer balanced I/O.

The 3U rack rear panel has a fused, voltage selector IEC mains input connector. The 5U rack has a free standing AC supply with a fused, voltage selector IEC mains input connector and connects to the rack via a connector and a 1.5 meter cable.

Modules of any combination can be fitted into a rack unit.



*Example: 5U Rack fitted with two 1073 modules and six 1084 modules*

## Dimensions

| Stand-alone Modules | Width<br>mm (inches) | Height<br>mm (inches) | Depth<br>mm (inches) | Approx.<br>Weight<br>kg (lbs) |
|---------------------|----------------------|-----------------------|----------------------|-------------------------------|
| 1073 Module         | 45 (1.8)             | 222 (8.75)            | 254 (10)             | 2.5 (5.5)                     |
| 1084 Module         | 45 (1.8)             | 222 (8.75)            | 254 (10)             | 2.5 (5.5)                     |

| 19" Rack Mounting | U | Depth<br>mm (inches) | Height<br>mm (inches) | Approx. Weight<br>kg (lbs) |
|-------------------|---|----------------------|-----------------------|----------------------------|
| 2 Module Version  | 3 | 405 (16)             | 133 (5.25)            | 11 (24.2) *                |
| 8 Module Version  | 5 | 405 (16)             | 222 (8.75)            | 30 (66) *                  |

\* Fully populated rack

## Power Requirements

| Rack Units                 | 3U                                 | 5U                                 |
|----------------------------|------------------------------------|------------------------------------|
| Rated Voltage              | 100-230V AC                        | 100-230V AC                        |
| Rated Frequency            | 50-60 Hz                           | 50-60Hz                            |
| Rated Current              | 0.5A Max                           | 0.8A Max                           |
| Primary Protection Fuse:   |                                    |                                    |
| Operating Voltage          | 100-230V AC                        | 100-230V AC                        |
| Fuse Rating and Type       | T0.5A H 250V<br>20mm x 5mm CERAMIC | T1A H 250V<br>20mm x 5mm CERAMIC   |
| Location                   | IEC Mains connector                | IEC Mains connector                |
| Secondary Protection Fuse: |                                    |                                    |
| Output Voltage             |                                    | 24V DC                             |
| Fuse Rating and Type       |                                    | T 2.0A L 250V<br>20mm x 5mm GLASS  |
| Location                   |                                    | <b>F1</b>                          |
| Output Voltage             |                                    | 48V DC                             |
| Fuse Rating and Type       |                                    | T 250mA L 250V<br>20mm x 5mm GLASS |
| Location                   |                                    | <b>F2</b>                          |

| Modules     | Power                                |
|-------------|--------------------------------------|
| 1073 Module | 106mA 10mA at 24V DC. Negative Earth |
| 1084 Module | 106mA 10mA at 24V DC. Negative Earth |

## **Mains Supply (rack units)**

The 3U rack has a fused, voltage selector IEC mains input connector.

The 5U rack has a free standing AC supply with a fused, voltage selector IEC mains input connector and connects to the rack via a connector and a 1.5 meter cable.

The mains switch on the rear panel of the 3U rack unit is non-illuminating.

The CH (chassis) and 0V are linked internally.

## **DC Power Supply Indicators (rack units)**

The red LED on the front panel of both 3U and 5U rack units indicates +24V power healthy when illuminated.

The green LED on the front panel of both 3U and 5U rack units indicates +48V power healthy when illuminated.

## **Phantom Power**

---

Phantom power can be supplied to each module by pressing the phantom power switch on the front panel of the 3U or 5U rack. The LED in the switch will illuminate confirming that phantom power is supplied.

## **Output Level Control**

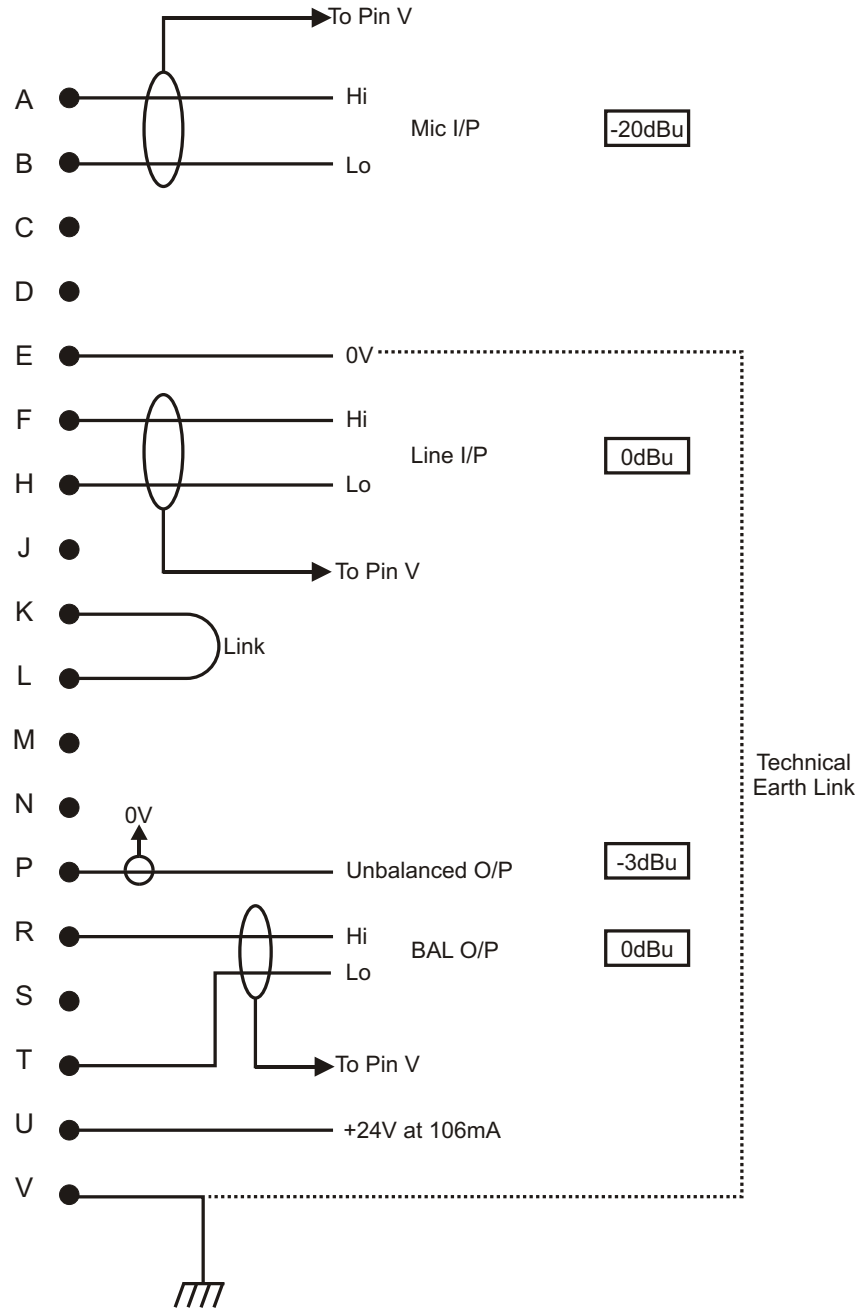
---

Each channel has an independent Output Level Control. The control is post-input, post-EQ and pre-output. This control can reduce the level at the output.

When the Output Control is fully clockwise the output gain is unity. The output is 20dB down with the control in the mid-position.

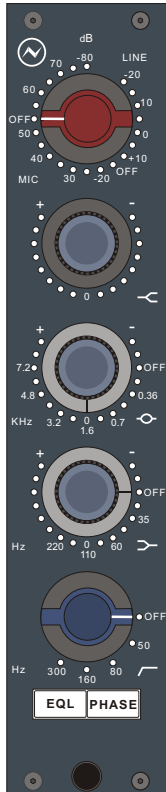
# Connector Details

## Standalone 1073 & 1084 Module Wiring to 18 way Free Plug

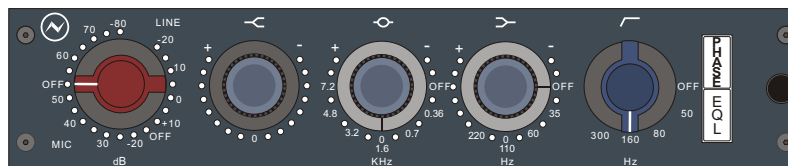


# Amplifier Controls

## 1073 Module



- High Frequency: Smooth +/-16dB fixed frequency shelving at 12kHz.
- Low Frequency: Smooth +/-16dB shelving with selectable frequencies of 35Hz, 60Hz, 110Hz & 220Hz.
- Mid Frequency: Smooth +/-18dB peaking, fixed 'Q' with, selectable centre frequencies of 0.36kHz, 0.7kHz, 1.6kHz, 3.2kHz, 4.8kHz & 7.2kHz.
- High Pass Filter: 18dB per octave slope, switchable between 50Hz, 80Hz, 160Hz & 300Hz.
- EQL Button: Switches the equaliser in or out of circuit.
- Phase Button: Gives 180° Phase change at Balanced Output.

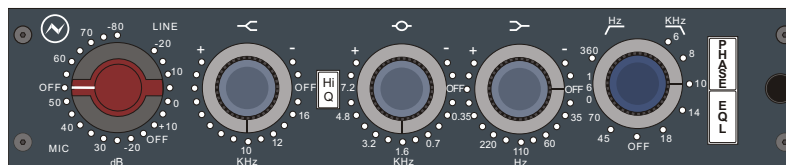




### 1084 Module



- High Frequency: Smooth +/-16dB shelving with selectable frequencies of 10kHz, 12kHz and 16kHz.
- Low Frequency: Smooth +/-16dB shelving with selectable frequencies of 35Hz, 60Hz, 110Hz & 220Hz.
- Mid Frequency: Smooth +/-12dB or +/-18dB peaking with switchable 'High Q', selectable centre frequencies of 0.36kHz, 0.7kHz, 1.6kHz, 3.2kHz, 4.8kHz & 7.2kHz.
- High Pass Filter: 18dB per octave slope, switchable between 45Hz, 70Hz, 160Hz & 360Hz.
- Low Pass Filter: 18dB per octave slope, switchable between 6kHz, 8kHz, 10kHz, 14kHz, & 18kHz.
- EQL Button: Switches the equaliser in or out of circuit.
- Phase Button: Gives 180° Phase change at Balanced Output.



## Specifications

---

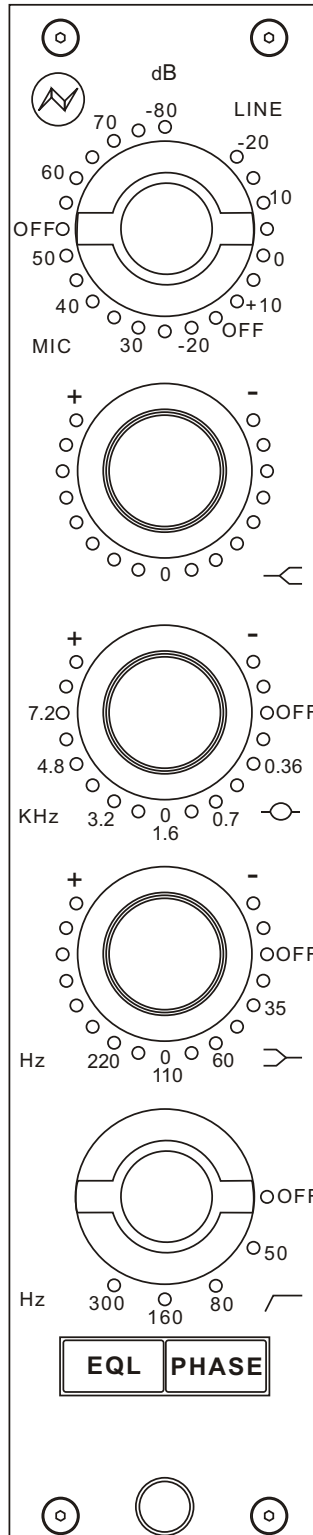
### 1073 and 1084 Modules

|                     |   |
|---------------------|---|
| Microphone Input:   | Input Impedance 300 $\Omega$ or 1200 $\Omega$ , gain +80db to +20dB in 5dB steps.   |
| Line Input:         | Input Impedance 10,000 $\Omega$ bridging, gain +20dB to -10dB in 5dB steps.<br>Both inputs are transformer balanced and earth free.       |
| Output:             | Maximum output is $>+26$ dBu into 600 $\Omega$ . Output impedance is 75 $\Omega$ @1kHz.<br>Output is transformer balanced and earth free. |
| Distortion:         | Not more than 0.07% from 50Hz to 10kHz at +20dBu output (80kHz bandwidth) into 600 $\Omega$ .   |
| Frequency Response: | +/-0.5dB 20Hz to 20kHz, -3dB at 40kHz Eq Out.   |
| Noise:              | Not more than -83dBu at all Line gain settings Eq In/Out (22Hz to 22kHz bandwidth).<br>EIN better than -125dBu @ 60dB gain.               |

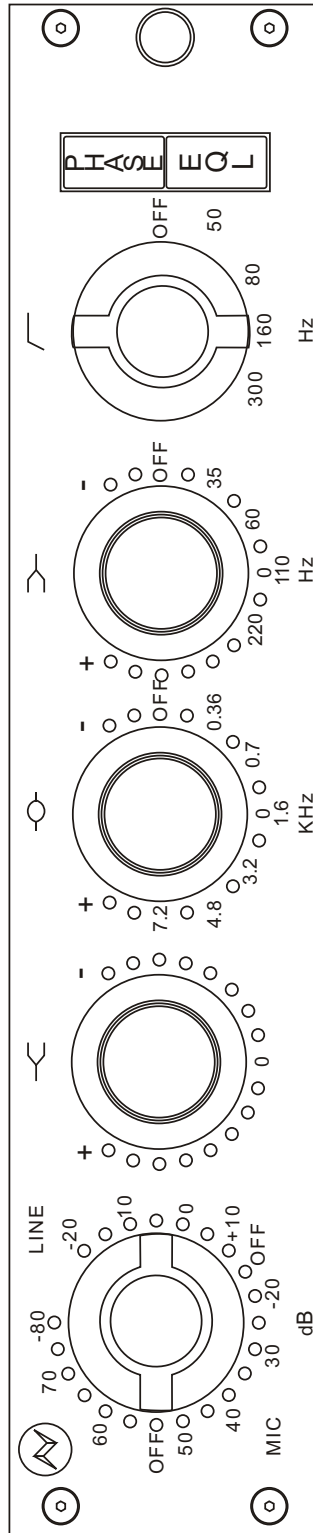
# Recall Sheets

---

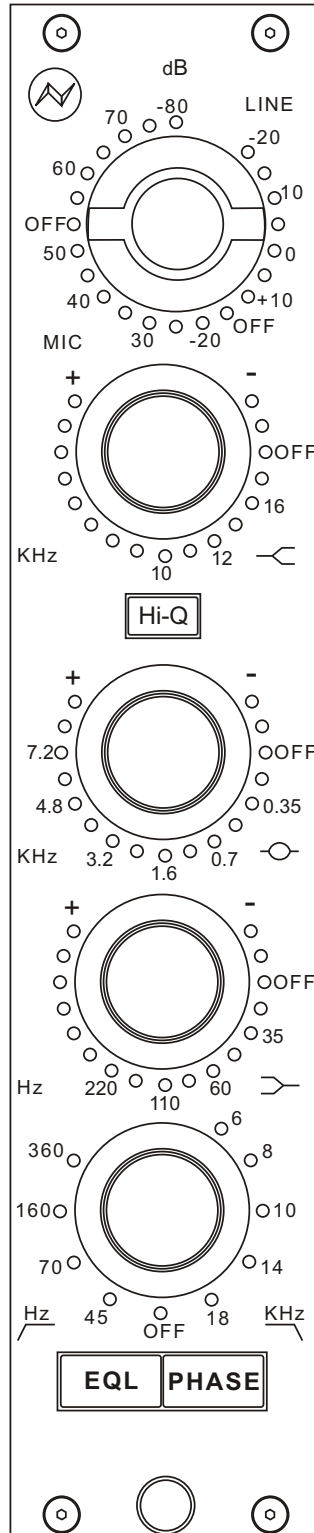
## 1073 - Vertical Module



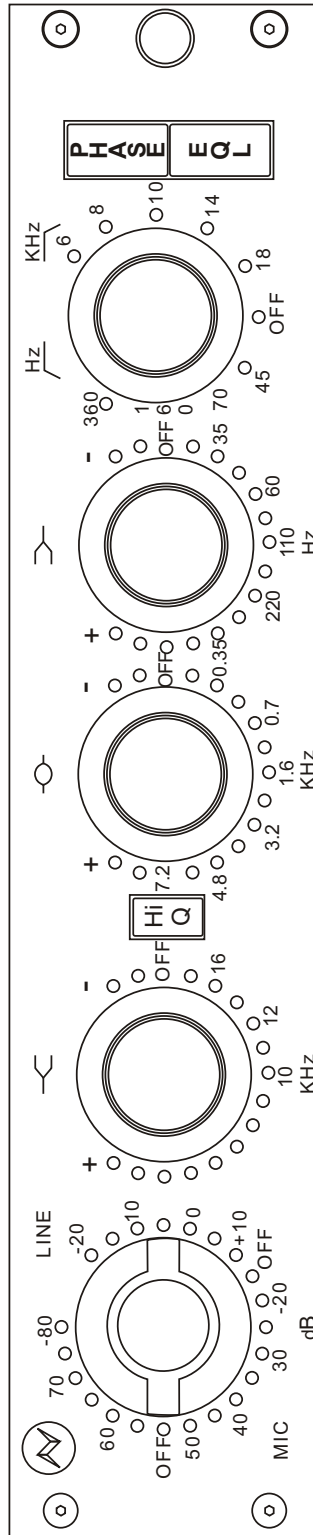
### 1073 - Horizontal Module



### 1084 - Vertical Module



### 1084 - Horizontal Module



## Service Information

---

### Schematic Drawing Index - 1073/1084 Racks

|                             |  |
|-----------------------------|--|
| 3U Horizontal Rack (AM5028) | AM5028 Assembly Drawing<br>AM5028 Wiring Diagram |
| 5U Vertical Rack (AM5033)   | UNDER DEVELOPMENT                                |

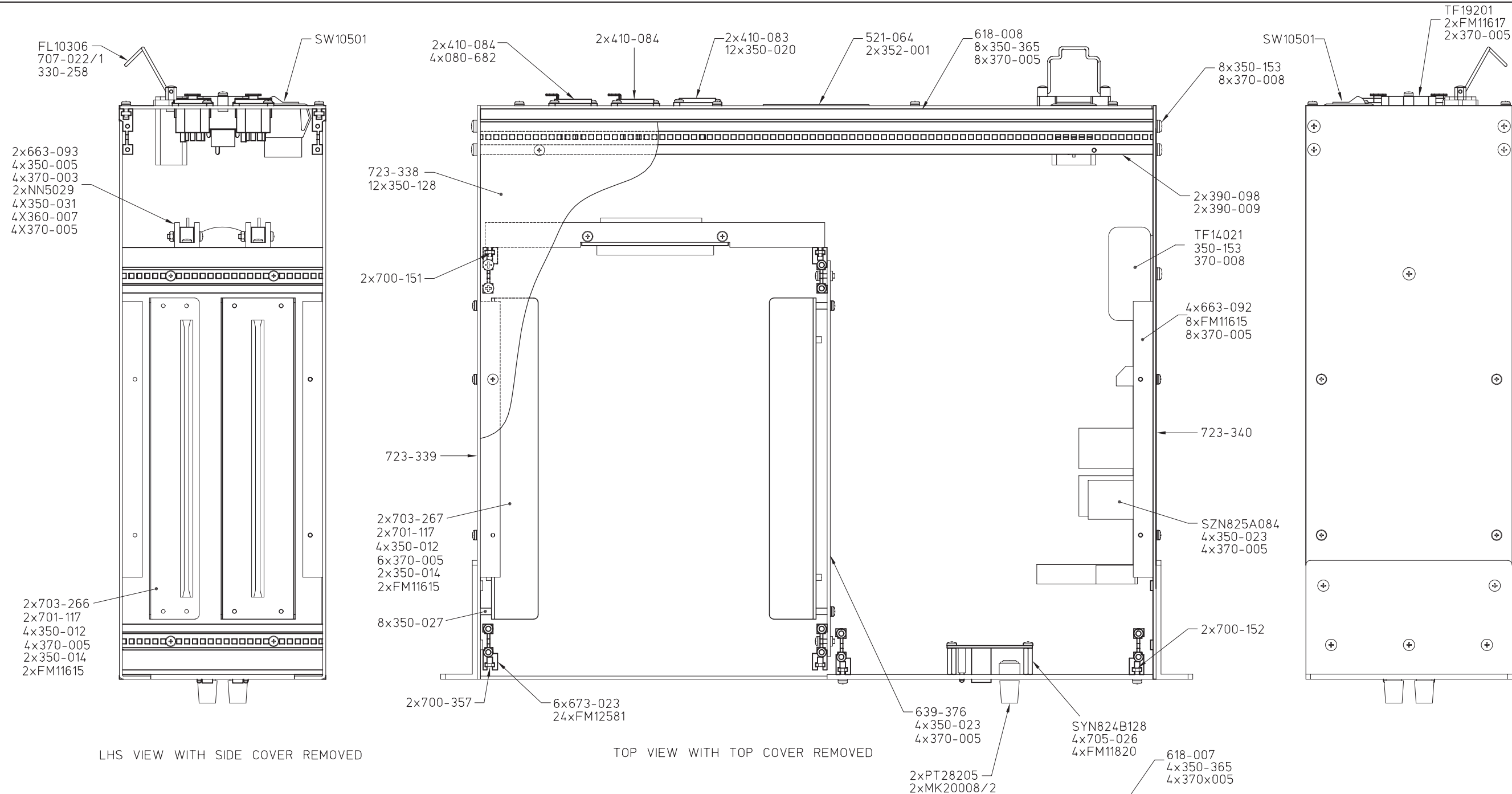
### Schematic Drawing Index - 1073 Module

|                                    |  |
|------------------------------------|--|
| 1073 Channel Amplifier (PL31073-C) | E10006 Block Diagram<br>EH10023 Circuit Diagram        |
| High Pass Filter (PL10182/C)       | PL10182/C Assembly Drawing<br>D/10019C Circuit Diagram |
| HF/LF EQ Frequency (PL10205)       | PL10205 Assembly Drawing<br>D/10042 Circuit Diagram    |
| Presence Frequency (PL10211)       | BA211 Assembly Drawing<br>D/10048 Circuit Diagram      |
| Mic Line Output (PL10283AV)        | PL10283 Assembly Drawing<br>EX10283 Circuit Diagram    |
| Mic Amp/EQ Amp (PL10284)           | PL10284 Assembly Drawing<br>EX10284 Circuit Diagram    |
| Sensitivity Switch (PL20033)       | EK20033 Wiring Diagram                                 |
| Low Frequency Switch (PL20065)     | EK20065 Wiring Diagram                                 |
| HP Filter Switch (PL20066)         | EK20066 Wiring Diagram                                 |
| Presence Switch (PL20105)          | EK20105 Wiring Diagram                                 |

**Schematic Drawing Index - 1084 Module**

|                                    |   |
|------------------------------------|---|
| 1084 Channel Amplifier (PL31084-C) | EB20039 Block Diagram<br>EH10036 Circuit Diagram        |
| High Pass Filter (PL10182/A)       | PL10182/A Assembly Drawing<br>D/10019A Circuit Diagram  |
| Low Pass Filter (PL10194/A)        | PL10194/A Assembly Drawing<br>D10031/A Circuit Diagram  |
| HF/LF EQ Frequency (PL10205)       | See 1073 drawing section                                |
| Presence Frequency (PL10211/A)     | PL10211/A Assembly Drawing<br>D/10048/A Circuit Diagram |
| Mic Line Output (PL10283AV)        | See 1073 drawing section                                |
| Mic Amp/EQ Amp (PL10284)           | See 1073 drawing section                                |
| Sensitivity Switch (PL20033)       | See 1073 drawing section                                |
| Low Frequency Switch (PL20065)     | See 1073 drawing section                                |
| Presence Switch (PL20105)          | See 1073 drawing section                                |
| High Frequency Switch (PL20106)    | EK20106 Wiring Diagram                                  |
| HP/LP Filter Switch (PL20107)      | EK20107 Wiring Diagram                                  |





LHS VIEW WITH SIDE COVER REMOVED

TOP VIEW WITH TOP COVER REMOVED

2x663-091  
10x350-128

| NAME | MOD. No.   | DATE     | ISS. |
|------|------------|----------|------|
| PF   | M38000/10B | 23.04.04 | 2    |
| PF   | D38000/ND  | 11.2.04  | 1    |

ISS.1 TO ISS.2: VARIOUS PART NUMBER CHANGES.

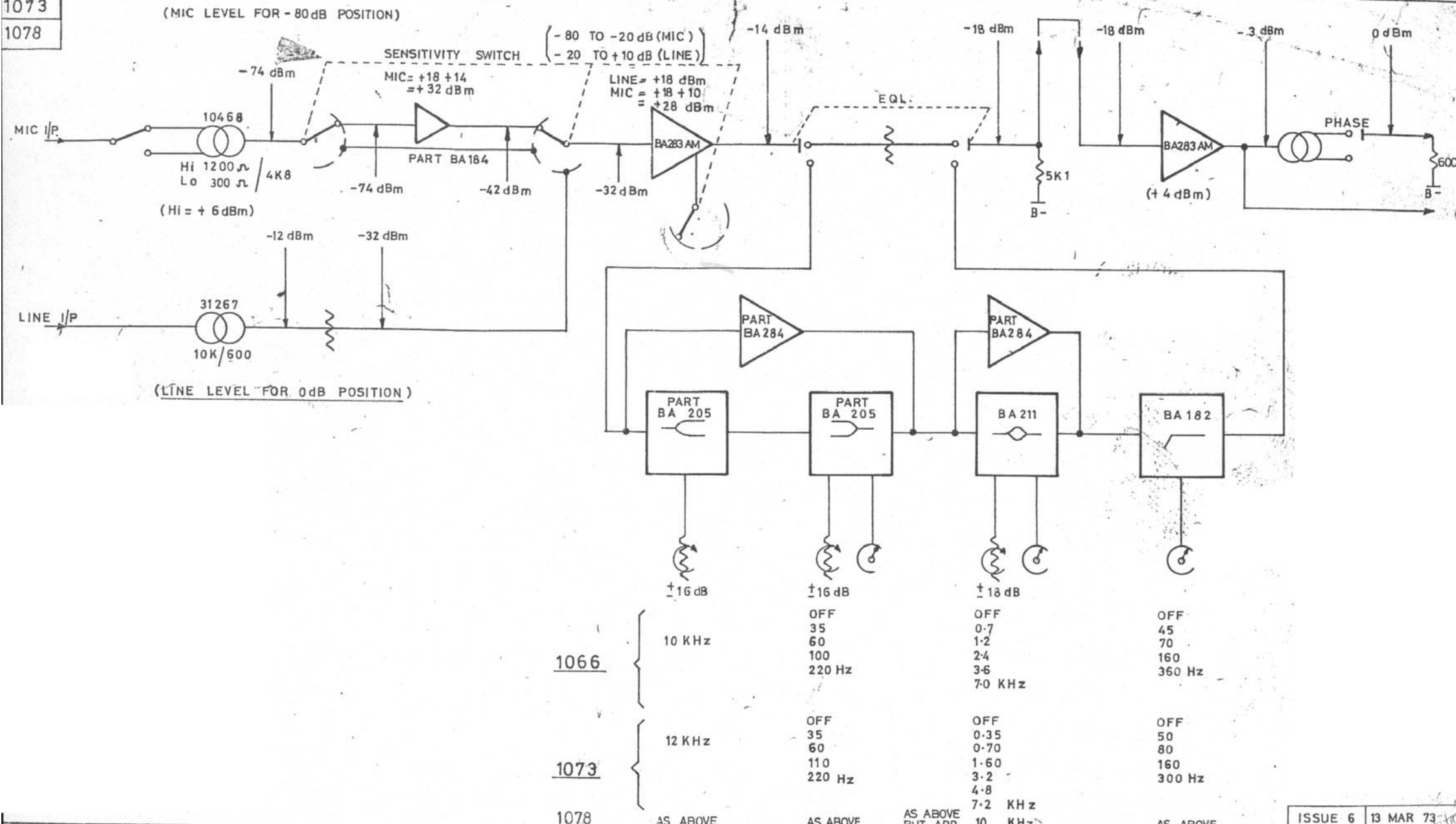
|   |   |                                  |                        |              |  |                              |                     |
|---|---|----------------------------------|------------------------|--------------|--|------------------------------|---------------------|
| <p>THIRD ANGLE PROJECTION</p> <p>DRAWN TO B.S.308</p> | <p>AMS NEVE PLC. owns the copyright to this drawing. It must not be copied in whole or in part, used for manufacture or otherwise disclosed without prior written consent of the company. © AMS NEVE PLC.</p> | TITLE: 1073/1084 HORIZONTAL RACK |                        |              |  | <p>DRG No.</p> <p>AM5028</p> | <p>SHT</p> <p>2</p> |
|   |   | <p>SCALE 1:1</p>                 | <p>DRAWN</p> <p>PF</p> | <p>APP'D</p> |  |                              |                     |

Issue: 1

| CABLE   |        |              | FROM:-  |                  |                | ROUTING |        |             | TO:-    |                      |                |
|---------|--------|--------------|---------|------------------|----------------|---------|--------|-------------|---------|----------------------|----------------|
| Code    | Type   | Colour       | Pin     | Connector        | Location       | Signal  | Length | Comment     | Pin     | Connector            | Location       |
| 310-183 | 24/0.2 | Green/Yellow | E       | 330-071          | IEC            |         |        |             | Stud    | 330-454              | Safety Earth   |
| 310-183 | 24/0.2 | Green/Yellow |         | 330-069          | Chassis        |         |        |             | Stud    | 330-454              | Safety Earth   |
| 310-047 | 16/0.2 | Brown        | L       | 330-071          | IEC            |         |        | Sleeve with | 1A      | 330-071              | Switch         |
| 310-052 | 16/0.2 | Blue         | N       | 330-071          | IEC            |         |        | WA12005     | 2A      | 330-071              | Switch         |
|         |        | Yellow       |         |                  | TF14021        |         |        |             | 1       | CN20013              | Switch         |
|         |        | Yellow       |         |                  | TF14021        |         |        |             | Centre  | Solder               | TF19201        |
| 310-052 | 16/0.2 | Blue         | 1(1of2) | Solder           | TF19201        |         |        |             | 2       | 330-071              | Switch         |
|         |        | Black        |         |                  | TF14021        |         |        |             | 1(2of2) | Solder               | TF19201        |
|         |        | Brown        |         |                  | TF14021        |         |        |             | 3       | Solder               | TF19201        |
|         |        | Green        |         |                  | TF14021        |         |        |             | 2       | Solder               | TF19201        |
|         |        | Blue         |         |                  | TF14021        |         |        |             | 4(1of3) | Solder               | TF19201        |
| 310-046 | 16/0.2 | Black        | 4(2of3) | Solder           | TF19201        |         |        |             | 4(2of3) | Solder               | TF19201        |
|         |        | Red          |         |                  | TF14021        |         |        |             | 4(3of3) | Solder               | TF19201        |
|         |        | Orange       |         |                  | TF14021        |         |        |             | 6       | Solder               | TF19201        |
|         |        | Violet       |         |                  | TF14021        |         |        |             | 5       | Solder               | TF19201        |
|         |        | Grey         |         |                  | TF14021        |         |        |             | 7       | Solder               | TF19201        |
|         |        | White        |         |                  | TF14021        |         |        |             | 3       | J1 (25VAC)           | SZN825A084     |
|         |        | White        |         |                  | TF14021        |         |        |             | 4       | J1 (25VAC)           |                |
| 310-052 | 16/0.2 | Blue         | 2       |                  | SZN825A084     |         |        |             | Bolt    | 330-069              | Chassis        |
| 310-031 | 7/0.2  | Orange       | 1       | 420-691 Housing  | CN2            |         |        |             | 2+3     | solder via 6K8 Res's | Mic In Ch1 XLR |
| 310-031 | 7/0.2  | Orange       | 9       | 420-612 Contacts | SYN824B12<br>8 |         |        |             | 2+3     | solder via 6K8 Res's | Mic In Ch2 XLR |
|         |        |              |         |                  |                |         |        |             |         |                      |                |
|         |        |              |         |                  |                |         |        |             |         |                      |                |

1066  
1073  
1078

E/10006



1066

1073

1078

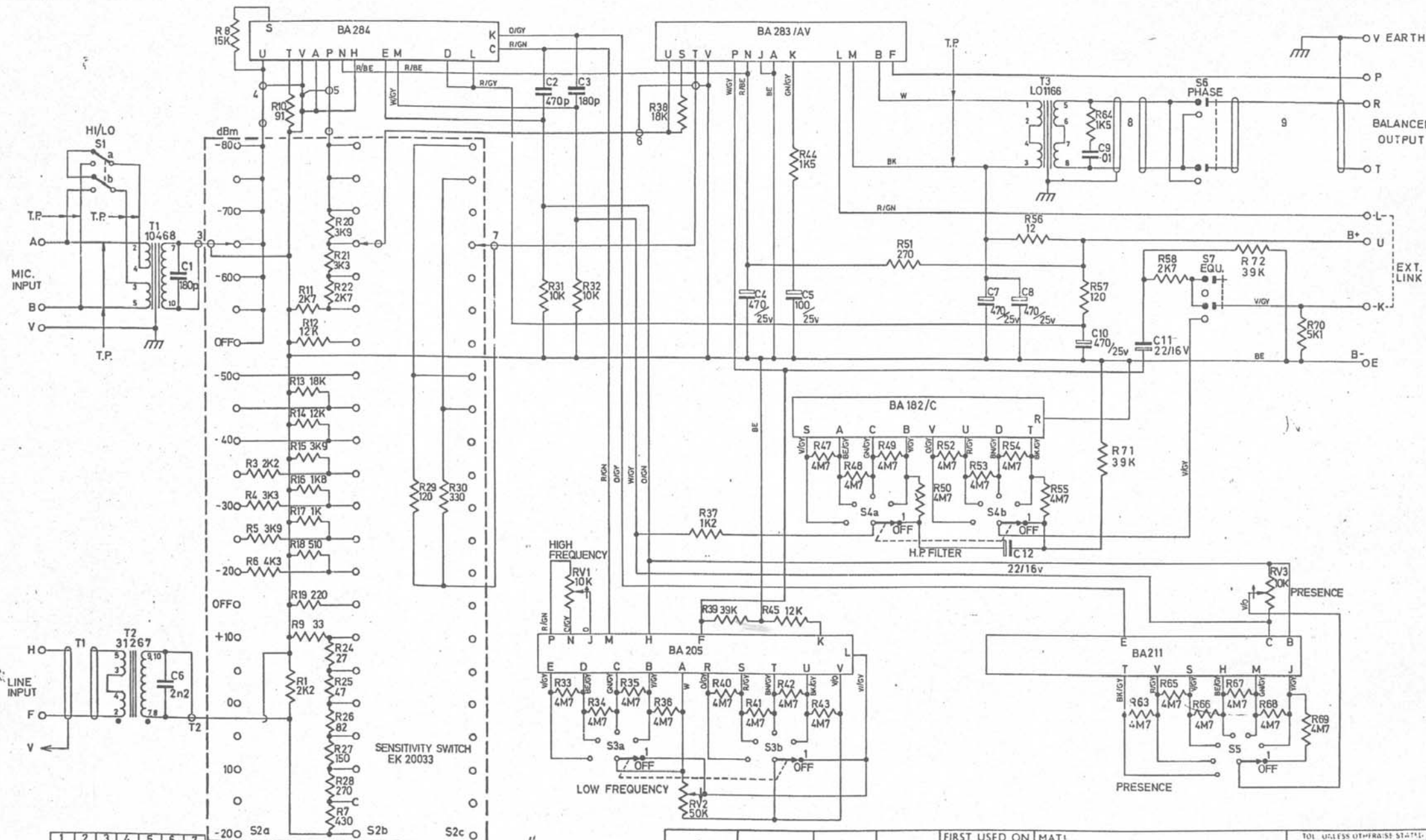
|        |                                  |  |                                  |  |
|--------|----------------------------------|--|----------------------------------|--|
|        | ±16 dB                           | ±16 dB   | ±18 dB                           |  |
| 10 KHz | OFF<br>35<br>60<br>100<br>220 Hz | OFF<br>0.7<br>1.2<br>2.4<br>3.6<br>7.0 KHz           | OFF<br>45<br>70<br>160<br>360 Hz |  |
| 12 KHz | OFF<br>35<br>60<br>110<br>220 Hz | OFF<br>0.35<br>0.70<br>1.60<br>3.2<br>4.8<br>7.2 KHz | OFF<br>50<br>80<br>160<br>300 Hz |  |
|        | AS ABOVE                         | AS ABOVE<br>BUT ADD<br>10 KHz                        | AS ABOVE                         |  |

The Neve Group of Companies  
TITLE CHANNEL AMPLIFIERS 1066, 1073, 1078

This drawing is the property of this company and may not be reproduced or disclosed to a third party without the permission of this company.

|            |            |                |
|------------|------------|----------------|
| ISSUE 5    | 13.OCT.72  | DATE 28.1.1970 |
| ISSUE 4    | 16.2.72    | DRAWING NUMBER |
| 3. REDRAWN | 2 NOV.1971 | E/10006        |

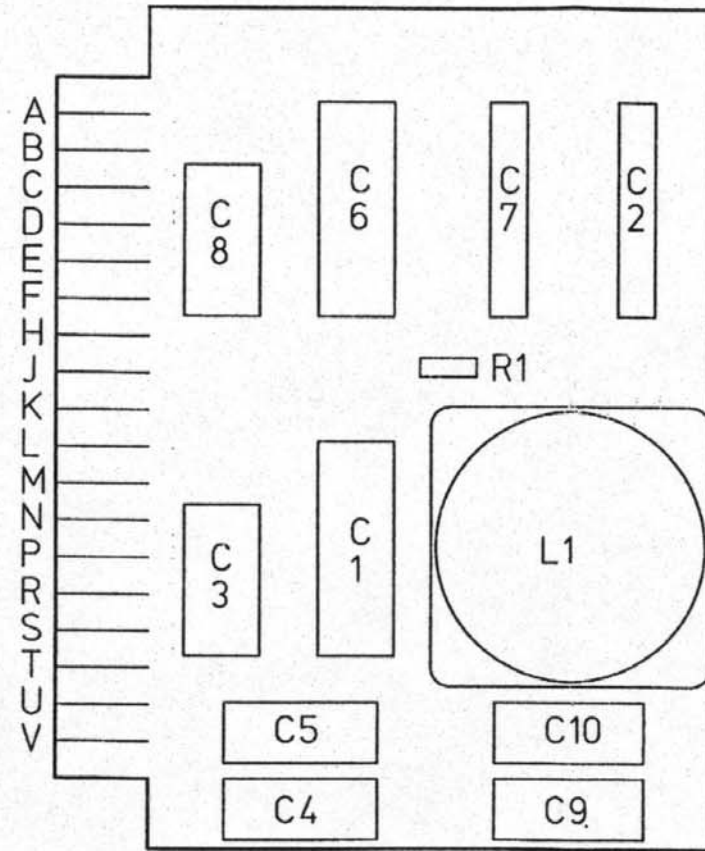
ISSUE 6 13 MAR 73



|            |     |    |    |     |     |     |     |              |
|------------|-----|----|----|-----|-----|-----|-----|--------------|
| S3 RV2     | 1   | 2  | 3  | 4   | 5   | 6   | 7   |              |
| LOW FREQ.  | OFF | 35 | 60 | 110 | 220 |     |     | SEE EK 20065 |
| S4 H.P.F.  | OFF | 50 | 80 | 160 | 300 |     |     | SEE EK 20066 |
| S5 RV3     | OFF | 36 | 7  | 1.6 | 3.2 | 4.8 | 7.2 | SEE EK 20105 |
| PREFERENCE |     |    |    |     |     |     |     |              |

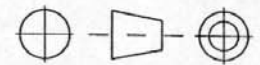
NOTE: ELECTROLUBE P.C.B. CONNECTORS BEFORE INSERTING BOARDS.

|          |          |        |                |               |                           |                              |               |
|----------|----------|--------|----------------|---------------|---------------------------|------------------------------|---------------|
| 3        | 2        | 1      | ISSUE          | FIRST USED ON | MAT'L                     | TOL. UNLESS OTHERWISE STATED |               |
| 17.5.74. | 30.11.73 | 6/8/73 | DATE           | DRN. AHL      | FINISH                    | LINEAR                       | ANGULAR HOLES |
| 10907    | 10816    |        | CHANGE NOTE NO | TRACED D.G.J. | TITLE                     | DIMS IN SCALE                |               |
|          |          |        | CHECKED        | CHECKED       | 1073 CHANNEL AMP          | DRG. NO EH 10023             |               |
|          |          |        |                |               | Robert Neve & Company Ltd | 1973                         |               |



|      |           |          |      |
|------|-----------|----------|------|
|      |           |          |      |
|      |           |          |      |
|      |           |          |      |
|      |           |          |      |
| PF   | D38000/LS | 23.09.03 | 1    |
| NAME | MOD. No.  | DATE     | ISS. |

THIRD ANGLE PROJECTION



DRAWN TO B.S.308

AMS NEVE PLC. owns the copyright to this drawing. It must not be copied in whole or in part, used for manufacture or otherwise disclosed without prior written consent of the company.  
© AMS NEVE PLC.

TITLE: HIGH PASS FILTER PCB ASSEMBLY

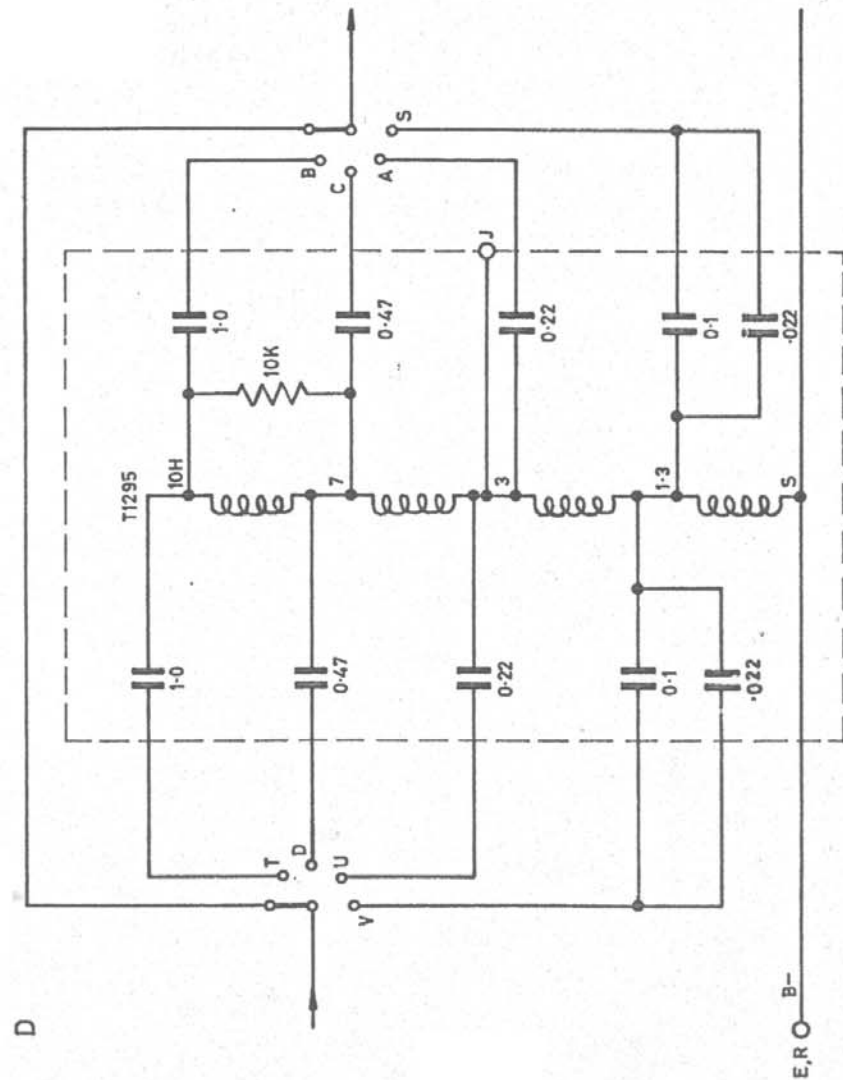
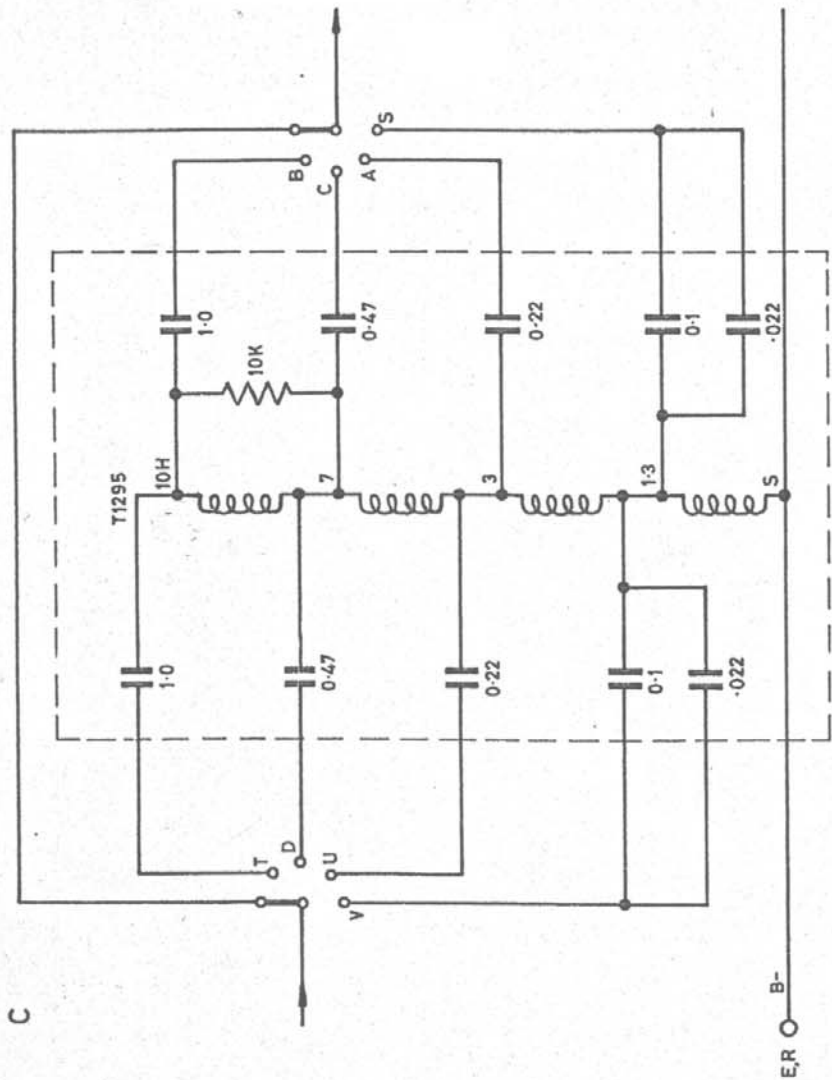


|       |            |          |
|-------|------------|----------|
| DRAWN | APP'D      | DATE     |
| PF    | <i>DLA</i> | 23.09.03 |

AMS NEVE PLC. BILLINGTON ROAD,  
BURNLEY. LANCs. BB11 5UB. ENGLAND.  
TEL. (01282) 457011 FAX. (01282) 417282.

|          |     |
|----------|-----|
| DRG No.  | SHT |
| PL10182C | 1   |

SCALE 1:1



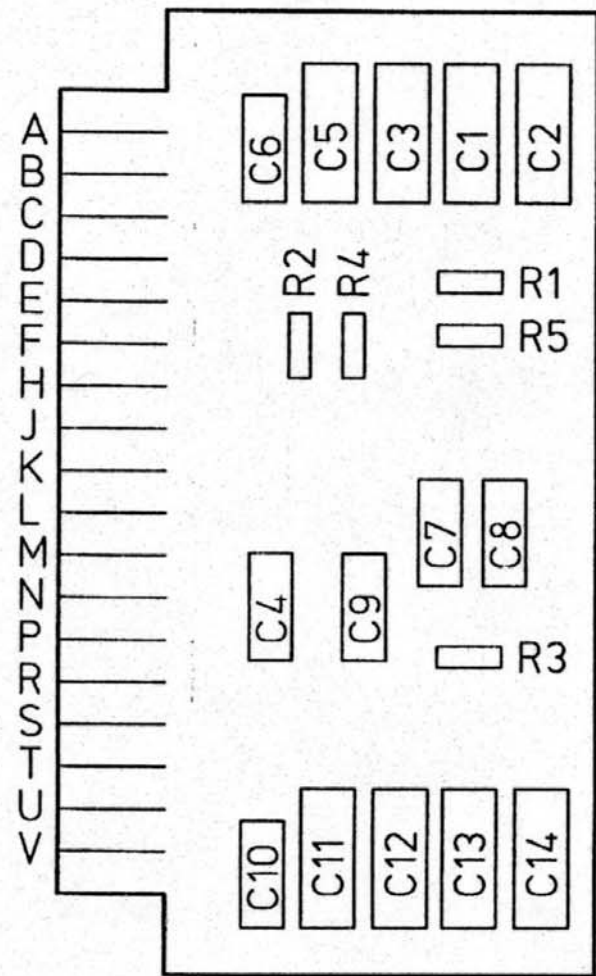
The Neve Group of Companies

TITLE B182 c&d

This drawing is the property of this company and may not be reproduced or disclosed to a third party without the permission of this company.

|   |         |        |
|---|---------|--------|
| A | 19/7/71 | 10.299 |
|---|---------|--------|

|                |                |
|----------------|----------------|
| DATE           | 21/10/70       |
| DRAWING NUMBER | D/10,019 c & d |



|      |           |          |      |
|------|-----------|----------|------|
|      |           |          |      |
|      |           |          |      |
|      |           |          |      |
|      |           |          |      |
| PF   | D38000/LS | 23.09.03 | 1    |
| NAME | MOD. No.  | DATE     | ISS. |

THIRD ANGLE PROJECTION



DRAWN TO B.S.308

AMS NEVE PLC. owns the copyright to this drawing. It must not be copied in whole or in part, used for manufacture or otherwise disclosed without prior written consent of the company.  
© AMS NEVE PLC.

SCALE 1:1

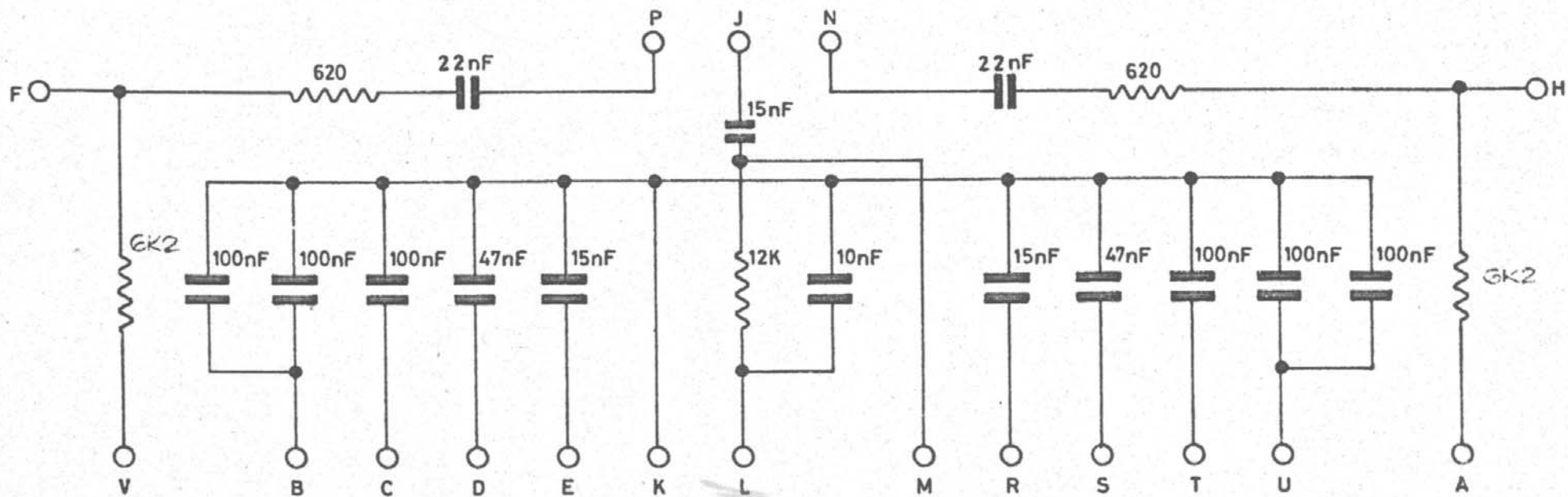
TITLE: HF/LF FREQUENCY PCB ASSEMBLY


|       |           |          |
|-------|-----------|----------|
| DRAWN | APP'D     | DATE     |
| PF    | <i>BA</i> | 23.09.03 |

AMS NEVE PLC. BILLINGTON ROAD,  
BURNLEY, LANCs. BB11 5UB. ENGLAND.  
TEL. (01282) 457011 FAX. (01282) 417282.



|         |     |
|---------|-----|
| DRG No. | SHT |
| PL10205 | 1   |



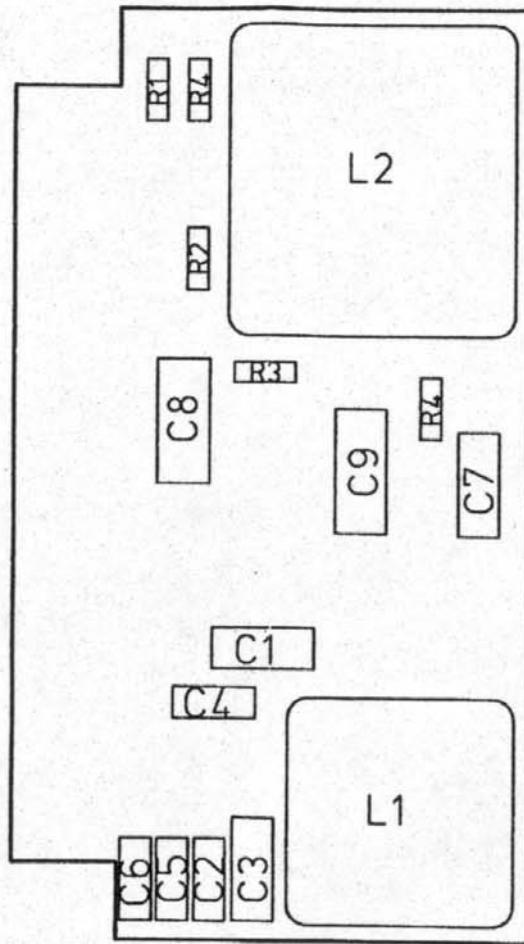
 The Neve Group of Companies

TITLE B 205 CIRCUIT DIAGRAM

This drawing is the property of this company and may not be reproduced or disclosed to a third party without the permission of this company.

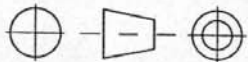
|   |         |       |         |                 |
|---|---------|-------|---------|-----------------|
| C | 7-3-79  | 80142 | DATE    | 24 FEB 71       |
| B | 18-5-72 | 10513 | DRAWING | NUMBER D/10,042 |
| A | 12/2/71 | 10261 | NUMBER  |                 |





|      |           |          |      |
|------|-----------|----------|------|
|      |           |          |      |
|      |           |          |      |
|      |           |          |      |
|      |           |          |      |
| PF   | D38000/LS | 23.09.03 | 1    |
| NAME | MOD. No.  | DATE     | ISS. |

THIRD ANGLE PROJECTION



DRAWN TO B.S.308

AMS NEVE PLC. owns the copyright to this drawing. It must not be copied in whole or in part, used for manufacture or otherwise disclosed without prior written consent of the company.  
© AMS NEVE PLC.

TITLE: PRESENCE FREQUENCY PCB ASSEMBLY



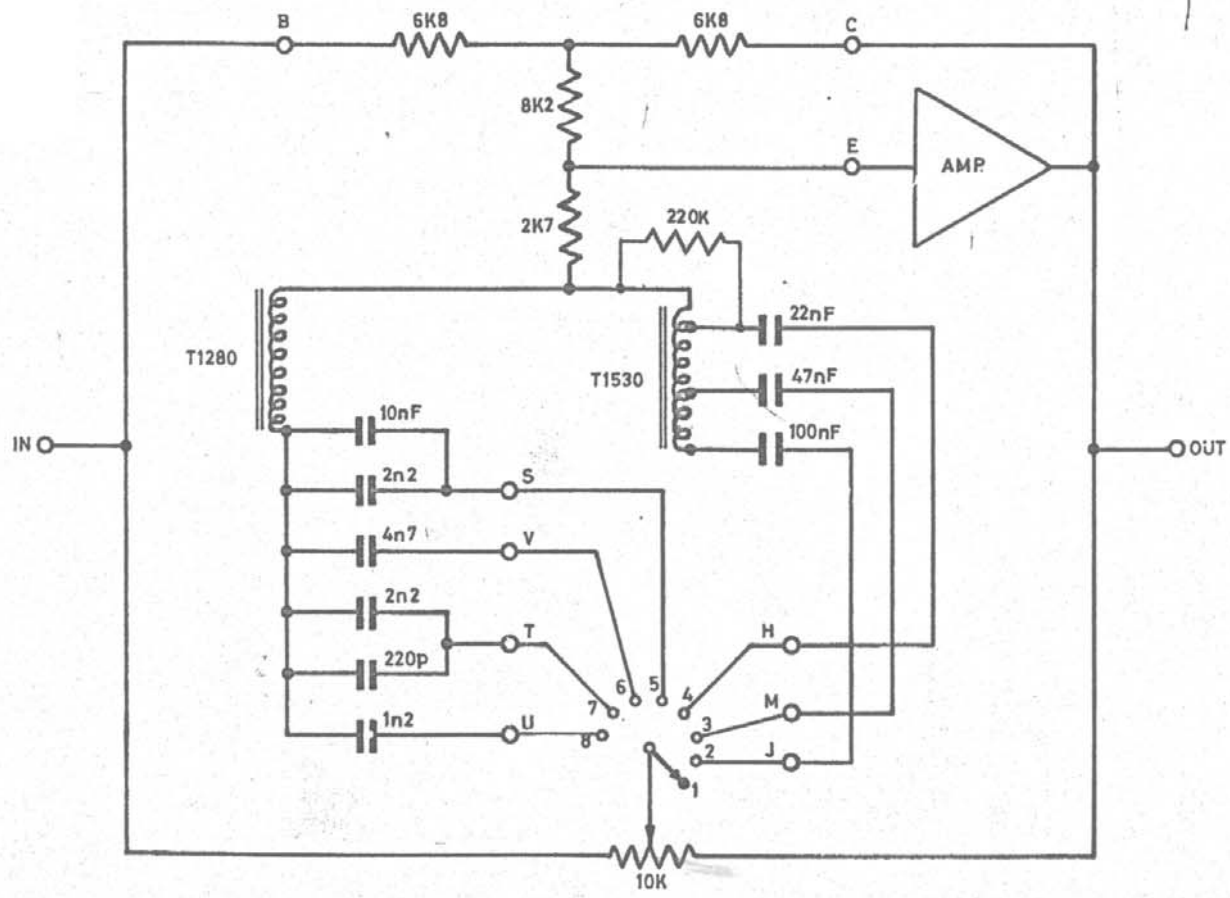
DRAWN APP'D DATE

PF *[Signature]* 23.09.03

AMS NEVE PLC. BILLINGTON ROAD, BURNLEY. LANCs. BB11 5UB. ENGLAND. TEL: (01282) 452011 FAX: (01282) 472002

DRG No. SHT

DL 10211 1



- SW. POSNs.
- 1. OFF
  - 2. 0.36 KHz
  - 3. 0.7 KHz
  - 4. 1.6 KHz
  - 5. 3.2 KHz
  - 6. 4.8 KHz
  - 7. 7.2 KHz
  - 8. 10.0 KHz

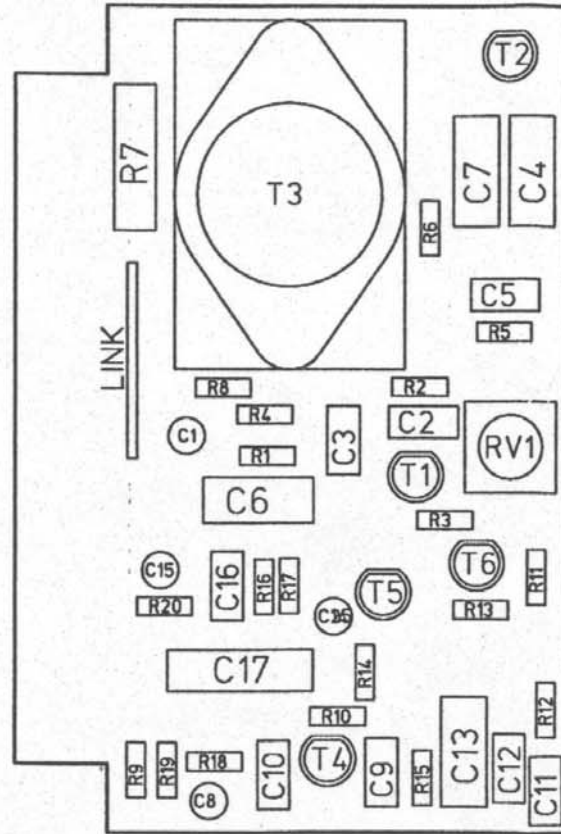
4 13-6-75-11241 GP

The Neve Group of Companies

TITLE BA211

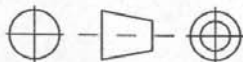
This drawing is the property of this company and may not be reproduced or disclosed to a third party without the permission of this company.

|   |          |        |         |          |
|---|----------|--------|---------|----------|
| C | 16/11/71 | 10,364 | DATE    | 21/12/70 |
| B | 8/11/71  | 10,364 | DRAWING | D/10,048 |
| A | 20/5/71  | 10,217 | NUMBER  |          |



|      |           |          |      |
|------|-----------|----------|------|
|      |           |          |      |
|      |           |          |      |
|      |           |          |      |
|      |           |          |      |
|      |           |          |      |
| PF   | D38000/LS | 24.09.03 | 1    |
| NAME | MOD. No.  | DATE     | ISS. |

THIRD ANGLE PROJECTION



DRAWN TO B.S.308

AMS NEVE PLC. owns the copyright to this drawing. It must not be copied in whole or in part, used for manufacture or otherwise disclosed without prior written consent of the company.  
© AMS NEVE PLC.

TITLE: MIC/LINE OUTPUT PCB ASSEMBLY

|       |           |          |
|-------|-----------|----------|
| DRAWN | APP'D     | DATE     |
| PF    | <i>DR</i> | 24.09.03 |

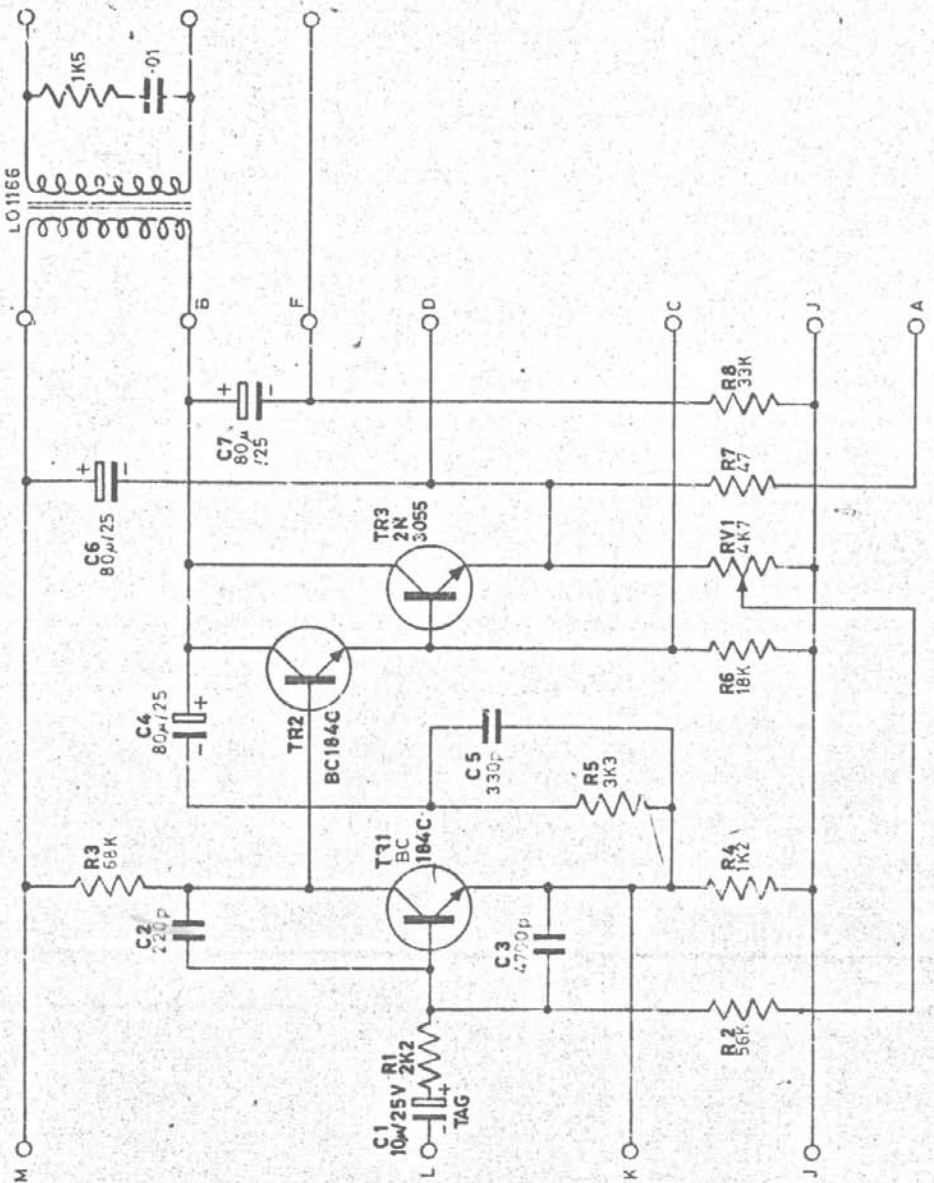
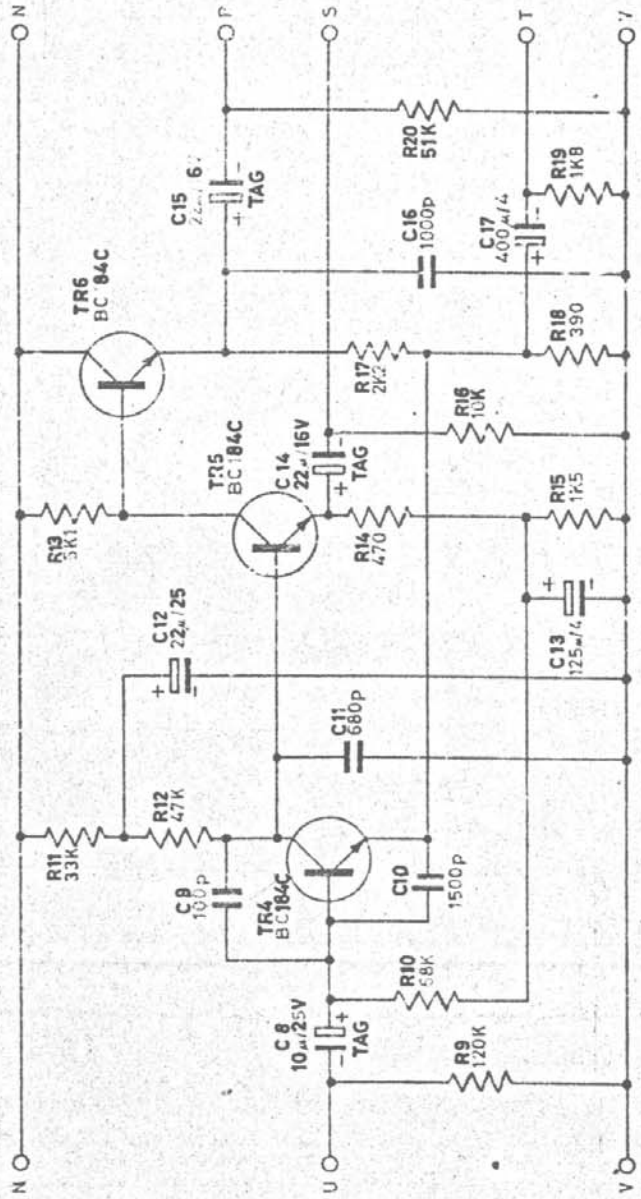
AMS NEVE PLC. BILLINGTON ROAD,  
BURNLEY. LANCs. BB11 5UB. ENGLAND.  
TEL. (01282) 457011 FAX. (01282) 417282.



DRG No. SHT

PL10283AV 1

SCALE 1:1



D 23-11-72  
10547

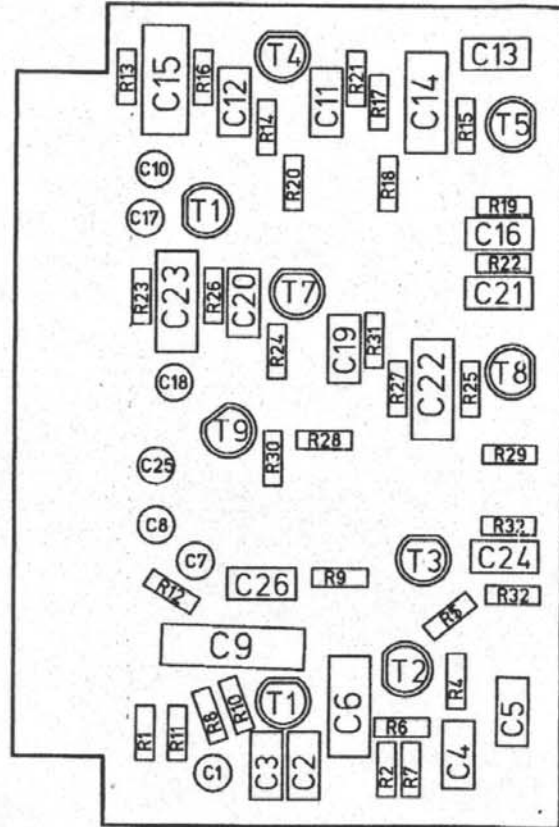


The Neve Group of Companies  
TITLE BA283 AM & AV

This drawing is the property of this company and may not be reproduced or disclosed to a third party without the permission of this company.

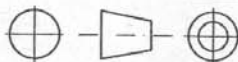
|   |          |       |         |          |          |
|---|----------|-------|---------|----------|----------|
| C | 15/11/72 | 10565 | DATE    | 15/11/71 | CN 10361 |
| B | 7/6/72   | 10518 | DRAWING |          |          |
| A | 8-3-72   | 10772 | NUMBER  |          |          |

EX/10 283



|      |           |          |      |
|------|-----------|----------|------|
|      |           |          |      |
|      |           |          |      |
|      |           |          |      |
|      |           |          |      |
|      |           |          |      |
| PF   | D38000/LS | 23.09.03 | 1    |
| NAME | MOD. No.  | DATE     | ISS. |

THIRD ANGLE PROJECTION



DRAWN TO B.S.308

AMS NEVE PLC. owns the copyright to this drawing. It must not be copied in whole or in part, used for manufacture or otherwise disclosed without prior written consent of the company.  
© AMS NEVE PLC.

TITLE: MIC AMP/EQ AMP X 2 PCB ASSEMBLY

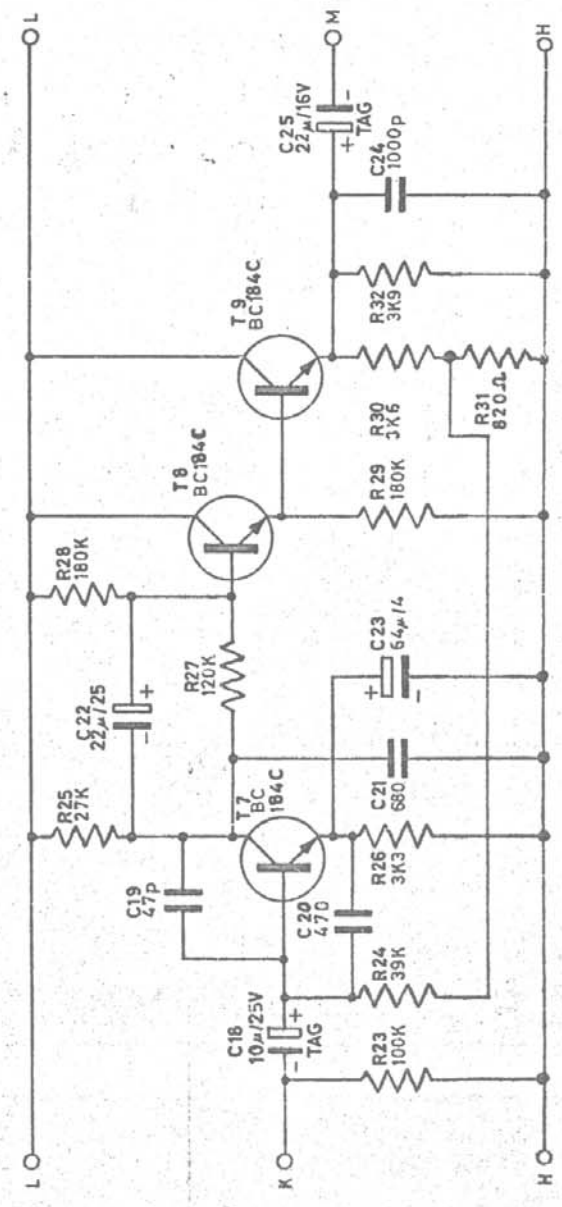
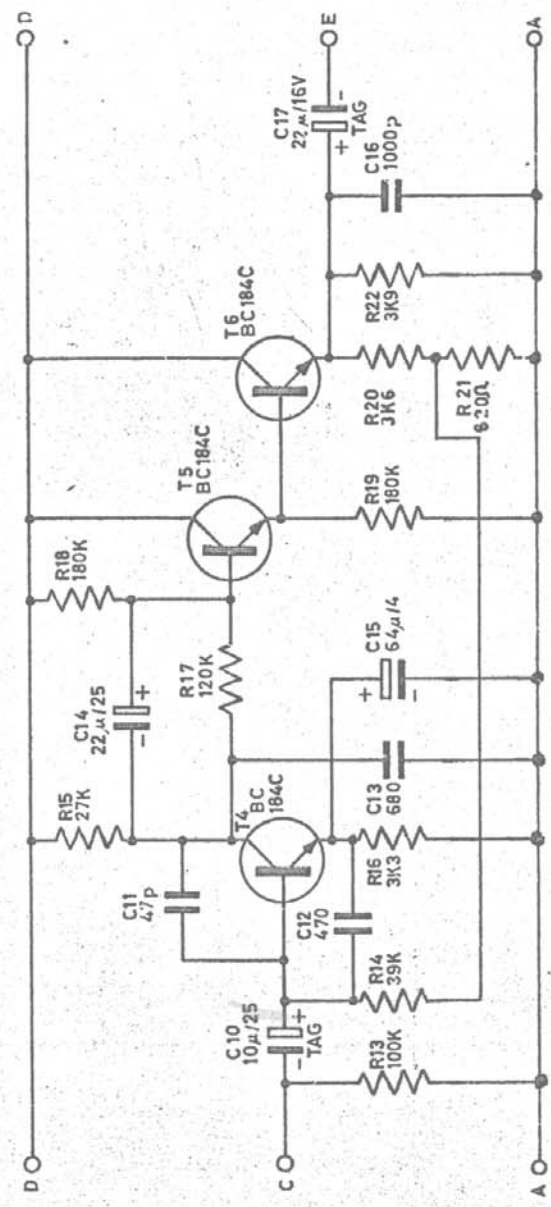
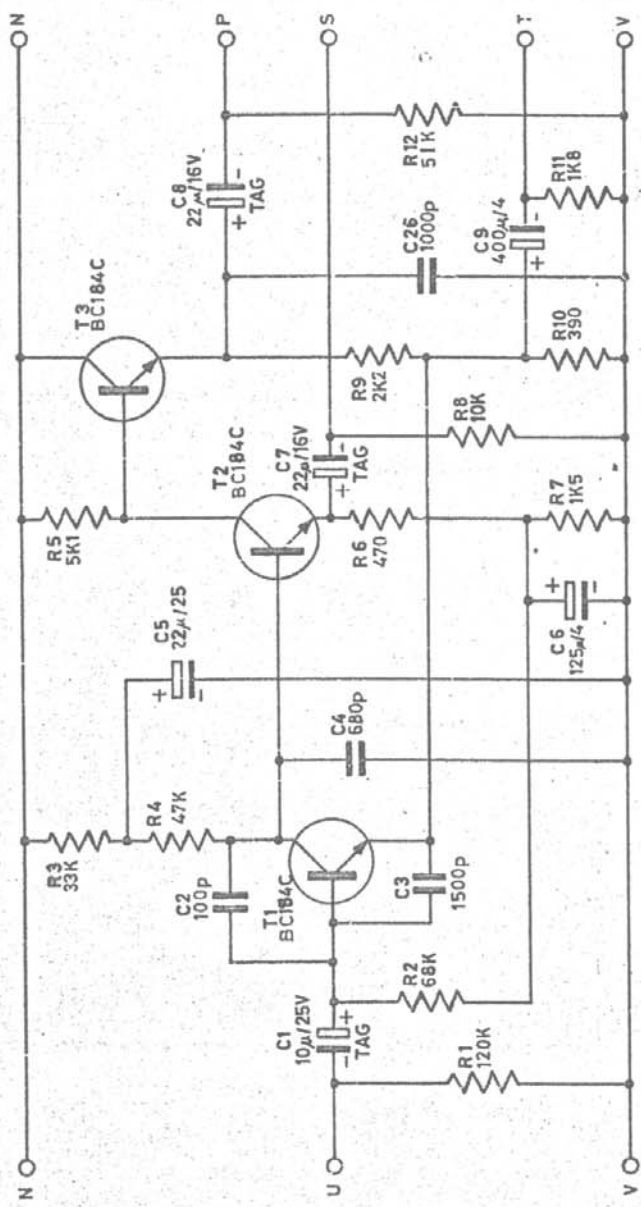


|       |                    |          |
|-------|--------------------|----------|
| DRAWN | APP'D              | DATE     |
| PF    | <i>[Signature]</i> | 23.09.03 |

AMS NEVE PLC. BILLINGTON ROAD,  
BURNLEY, LANCs. BB11 5UB. ENGLAND.  
TEL. (01282) 457011 FAX. (01282) 417282.

|         |     |
|---------|-----|
| DRG No. | SHT |
| PL10284 | 1   |

SCALE 1:1



The Neve Group of Companies

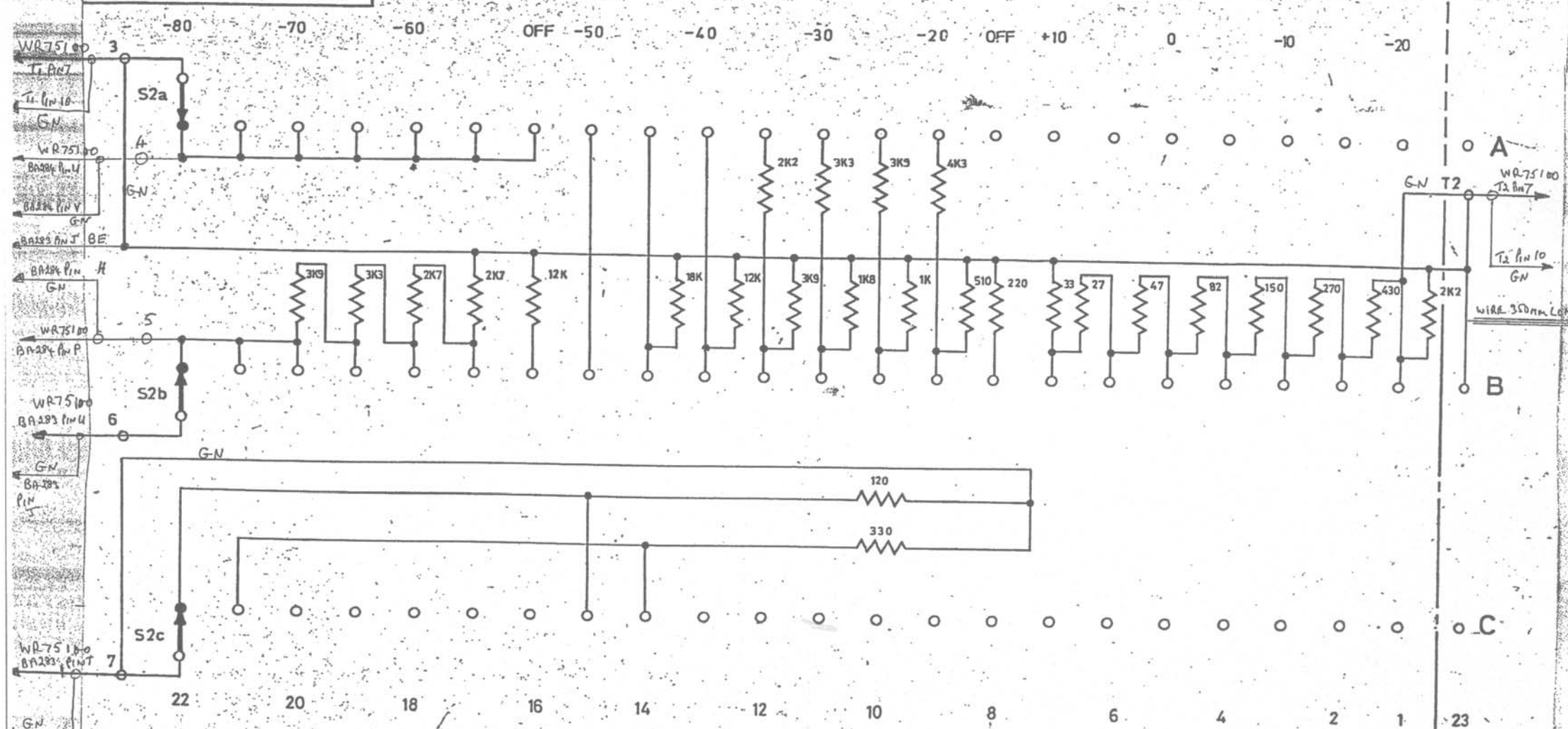
TITLE BA284

This drawing is the property of this company and may not be reproduced or disclosed to a third party without the permission of this company.

|   |          |        |         |          |           |
|---|----------|--------|---------|----------|-----------|
| C | 15/11/72 | 10565  | DATE    | 15/11/71 | CN 10,362 |
| B | 8-3-72   | 10473  | DRAWING |          |           |
| A | 8-12-71  | 10.402 | NUMBER  |          | EX/10,284 |

EK 20033

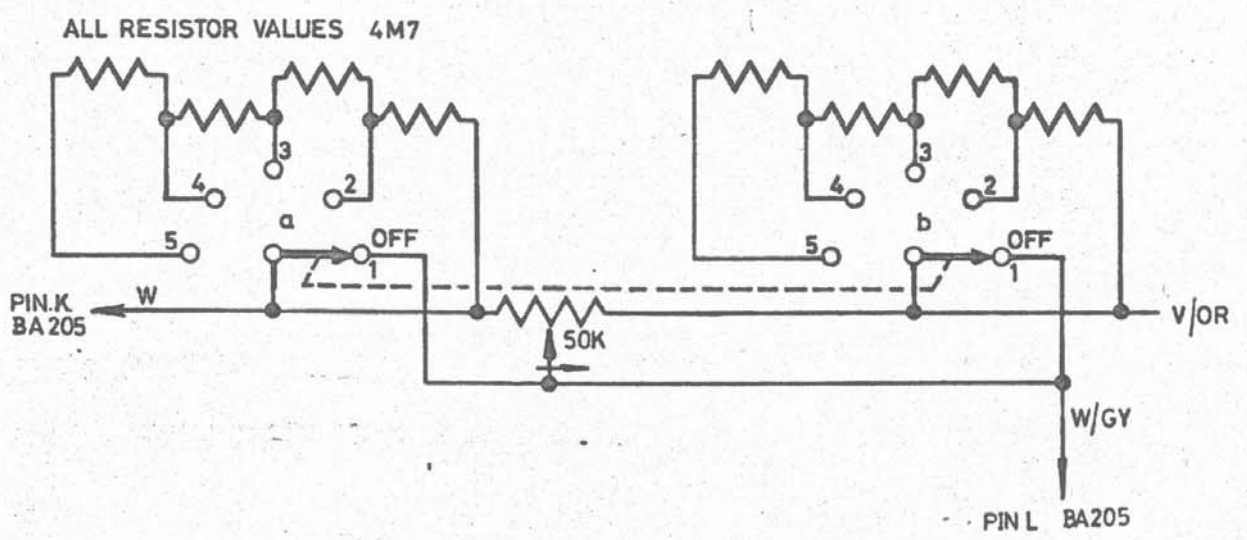
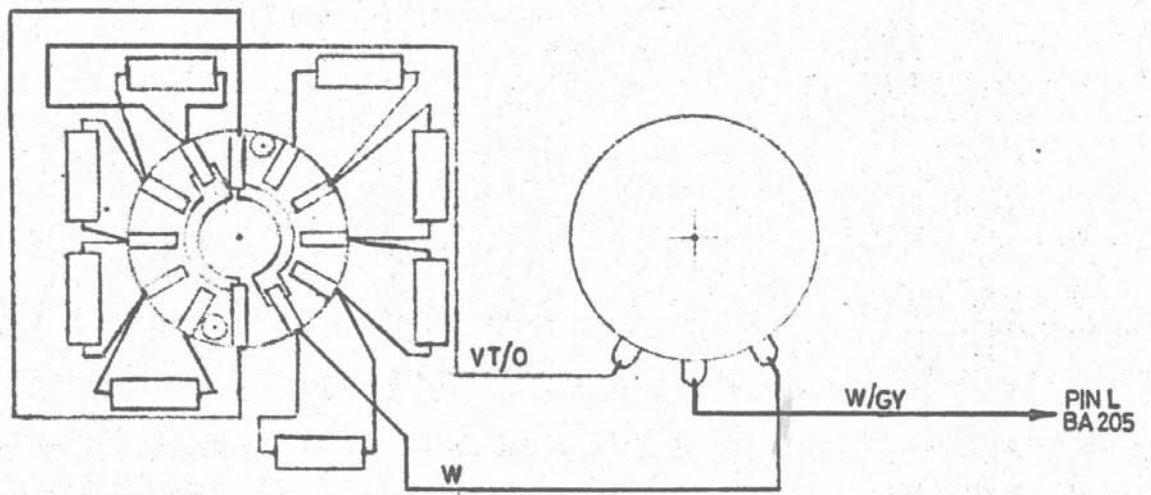
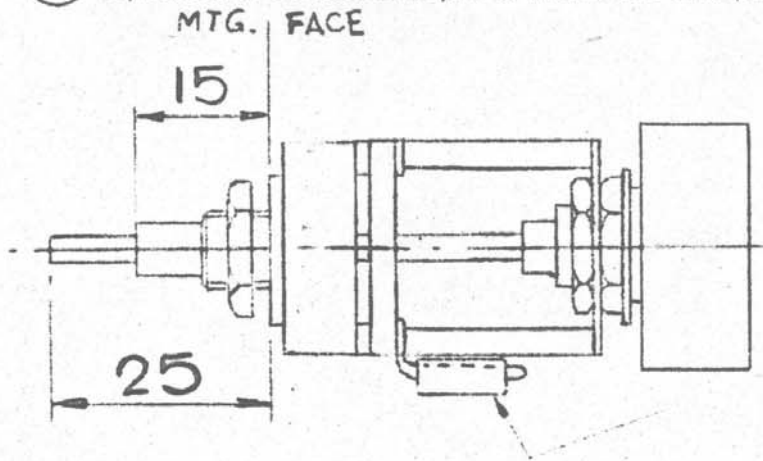
Rupert Neve & Company Ltd. own the copyright of this drawing which is not to be copied, reproduced or disclosed, in part or whole, to a third party without written permission.



NB! SWITCH STOPPED DOWN TO 22 WAY

|         |          |                |                    |                                |                               |         |       |
|---------|----------|----------------|--------------------|--------------------------------|-------------------------------|---------|-------|
| 2       | 1        | ISSUE          | FIRST USED ON      | MATL.                          | TOL. UNLESS OTHERWISE STATED  |         |       |
| 19-3-74 | 19-10-73 | DATE           | DRN. A.H.L.        | FINISH                         | LINEAR                        | ANGULAR | HOLES |
| 10878   |          | CHANGE NOTE NO | TRACED G.T.        | TITLE                          | 3RD ANGLE PROJ. DIMS IN SCALE |         |       |
|         |          | CHECKED        | CHECKED <i>ALL</i> | FOR THE 1073 CHANNEL AMPLIFIER | DRG. NO                       |         |       |
|         |          | CHECKED        |                    | Rupert Neve & Company Ltd      | EK20033                       |         |       |

|   |             |         |   |         |       |
|---|-------------|---------|---|---------|-------|
| 4 | 12K WAS 1K5 | 24-6-76 | 3 | 27-6-74 | 10907 |
|---|-------------|---------|---|---------|-------|



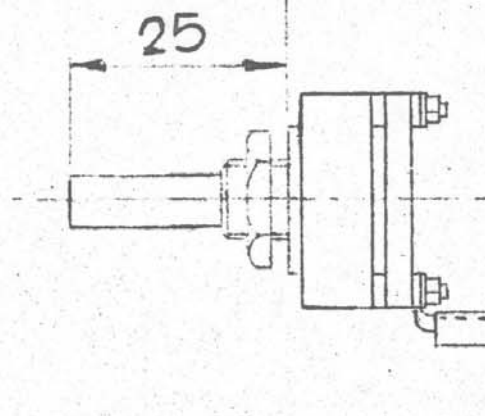
|         |         |                |                       |                               |   |
|---------|---------|----------------|-----------------------|-------------------------------|---|
| 2       | 1       | ISSUE          | FIRST USED ON<br>1070 | MATL.                         | TOL. UNLESS OTHERWISE STATE               |
| 0-11-73 | 6-11-72 | DATE           | DRN. D.G.J.           | FINISH                        | LINEAR<br>± 0,4                           |
| 0819    |         | CHANGE NOTE NO | TRACED                | TITLE<br>LOW FREQUENCY SWITCH | ANGULAR HOLES<br>+0.13<br>-0              |
|         |         | CHECKED        | CHECKED               | DRG. NO<br>EK 20065           | 3RD ANGLE PRJ. DIMS IN<br>mm SCALE<br>1/1 |
|         |         | CHECKED        |                       | Rupert Neve & Company Ltd.    | 1972 (C)A4                                |



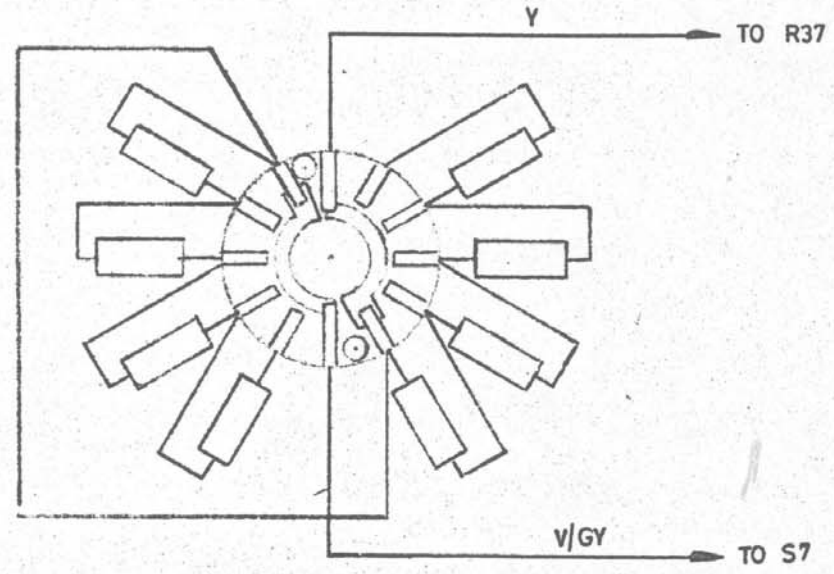


Rupert Neve & Company Ltd. own the copyright of this drawing which is not to be copied reproduced or disclosed, in part or whole, to a third party without written permission.

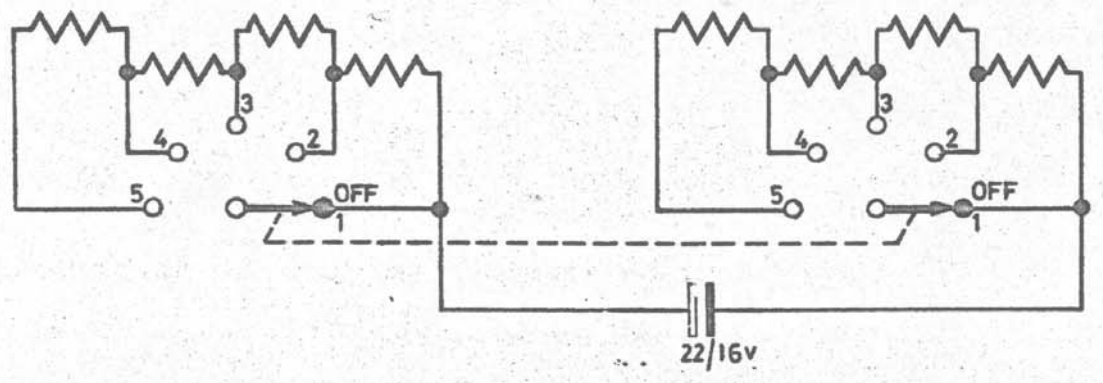
MTG. FACE



RESISTORS WIRED VERTICALLY AROUND SWITCH.



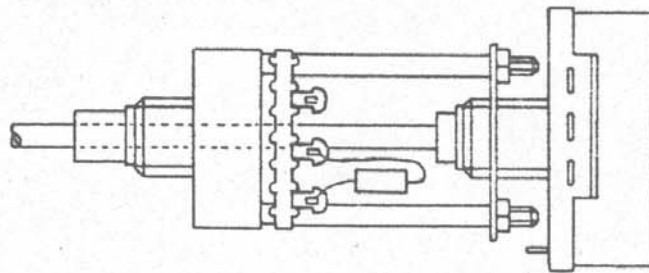
ALL RESISTOR VALUES 4M7



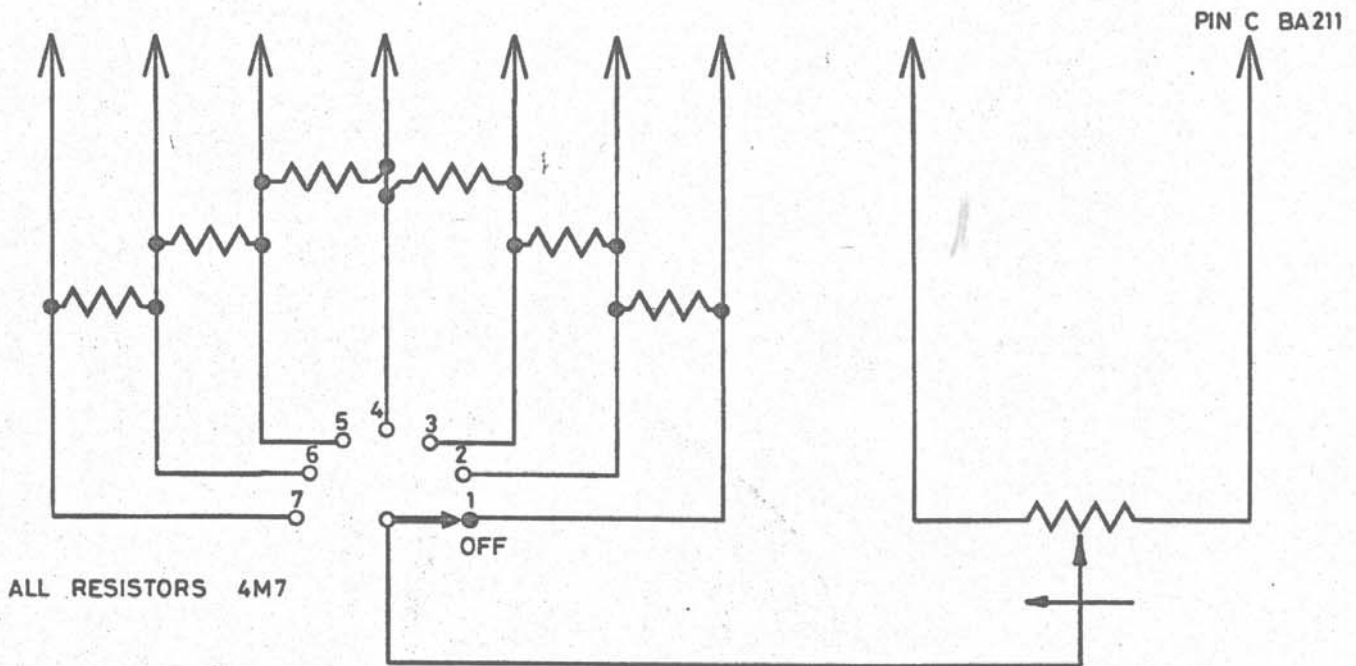
|          |         |                |                       |                            |                             |               |                      |
|----------|---------|----------------|-----------------------|----------------------------|-----------------------------|---------------|----------------------|
| 2        | 1       | ISSUE          | FIRST USED ON<br>1070 | MATL.                      | TOL. UNLESS OTHERWISE STATE |               |                      |
| 30.11.73 | 6.11.72 | DATE           | DRN. D.G.J.           | FINISH                     | LINEAR<br>± 0.4             | ANGULAR       | HOLES<br>+0.13<br>-0 |
| 10818    |         | CHANGE NOTE NO | TRACED                | TITLE                      | 3RD ANGLE PRJ.              | DIMS IN<br>mm | SCALE<br>1/1         |
| AHL      | GT      | CHECKED        | CHECKED               | H.P. FILTER SWITCH         | DRG. NO                     | EK 20066      |                      |
|          |         |                |                       | Rupert Neve & Company Ltd. | 1972                        | (C) A4        |                      |



Rupert Neve & Company Ltd. own the copyright of this drawing which is not to be copied reproduced or disclosed, in part or whole, to a third party without written permission



RESISTORS MOUNTED VERTICALLY AROUND SWITCH



ALL RESISTORS 4M7

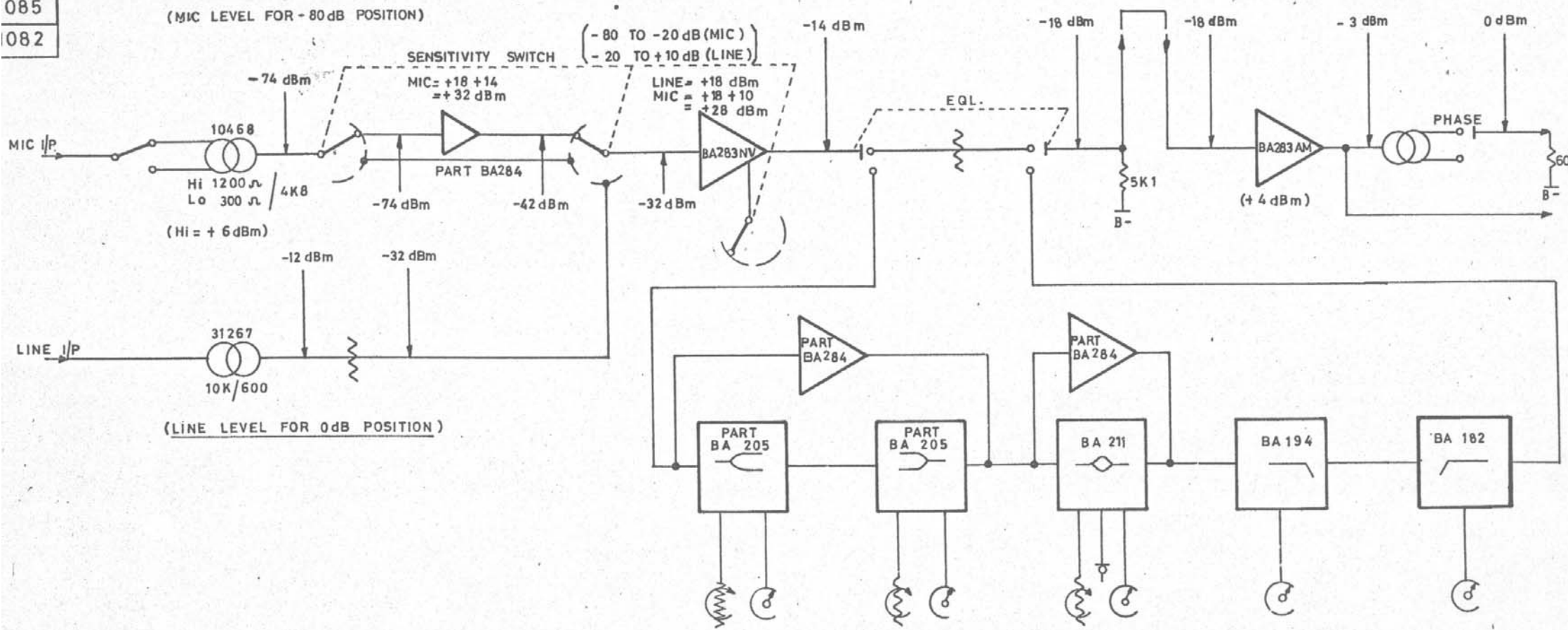
# PRESENCE SWITCH ASSEMBLY

(FOR USE WITH BA211)

|                |               |                           |                              |         |           |
|----------------|---------------|---------------------------|------------------------------|---------|-----------|
| ISSUE          | FIRST USED ON | MATL.                     | TOL. UNLESS OTHERWISE STATED |         |           |
|                | 1082          |                           | LINEAR                       | ANGULAR | HOLES     |
| DATE           | DRN           | FINISH                    | +                            |         | +0.13     |
|                | A.H.L.        |                           | 3RD ANGLE PRJ                | DIMS IN | SCALE     |
| CHANGE NOTE NO | TRACED        | TITLE                     |                              |         | N.T.S.    |
|                | R.J.C.        |                           | PRESENCE SWITCH              | DRG NO  | EK 20,105 |
| CHECKED        | CHECKED       | Rupert Neve & Company Ltd | 1973                         |         |           |
|                | A.H.C.        |                           | © A4                         |         |           |

084  
085  
082

EB 20039



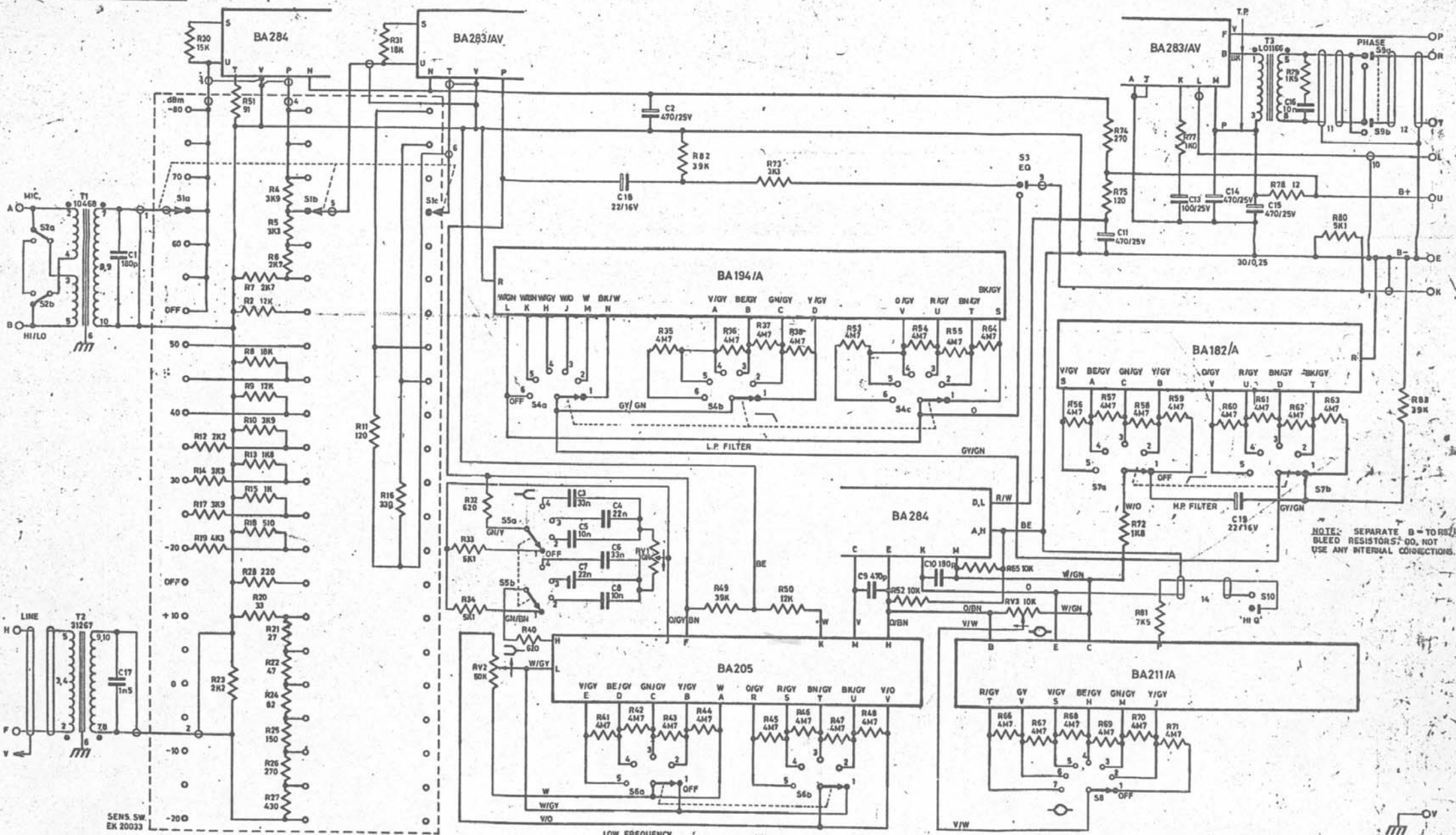
FOR FREQUENCIES SEE MODULE FRONT PANEL LAYOUTS

- 1084 HAS SMOOTH CONTROLS REPLACES 1073  
HAS SWITCHED HF
- 1085 HAS STEPPED CONTROLS REPLACES 1076  
HAS SWITCHED HF
- 1082 SIMILAR TO 1084  
HAS 30HZ INSTEAD OF 45HZ ON HPF  
HAS ALL PNT. DESIGNATIONS INVERTED

FOR 1084 SEE DRAWING ML 60598

FOR 1085 SEE DRAWING ML 60555

FOR 1082 SEE DRAWING ML 60555



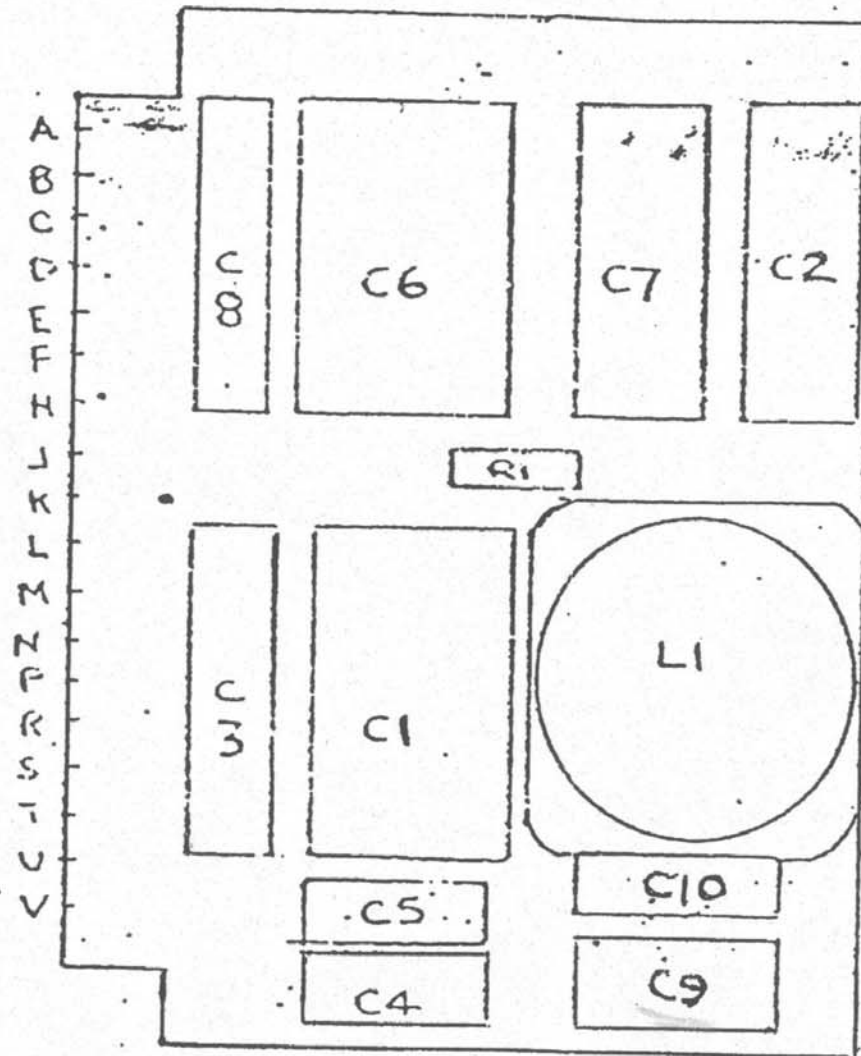
NOTE: SEPARATE B- TO RESISTOR BLEED RESISTORS DO NOT USE ANY INTERNAL CONNECTIONS.

NOTES: 1. ELECTROLUBE PCB CONNECTORS BEFORE INSERTING BOARD.  
2. SIMILAR TO 1082 CHAMP(BA182/A BECOMES BA182/E)

| SW No. | 1    | 2    | 3   | 4   | 5   | 6   | 7   | DR. No.  |
|--------|------|------|-----|-----|-----|-----|-----|----------|
| 54     | GRHz | 8    | 10  | 14  | 18  | OFF |     | EK 20107 |
| 56     | OFF  | 35   | 60  | 110 | 220 |     |     | EK 20065 |
| 57     | OFF  | 45   | 70  | 160 | 360 |     |     | EK 20107 |
| 58     | OFF  | 0.35 | 0.7 | 1.5 | 3.2 | 4-8 | 7.2 | EK 20105 |
| 55     | OFF  | 16   | 12  | 10  |     |     |     | EK 20106 |

| 4- | 3 | 2 | 1 | ISSUE          | FIRST USED ON | MAT'L                  |
|----|---|---|---|----------------|---------------|------------------------|
|    |   |   |   | DATE           | DRN/AHL D&D   | FINISH                 |
|    |   |   |   | CHANGE NOTE NO | TRACED LMC    | TITLE                  |
|    |   |   |   | CHECKED        | CHECKED       | 1084 CHANNEL AMPLIFIER |

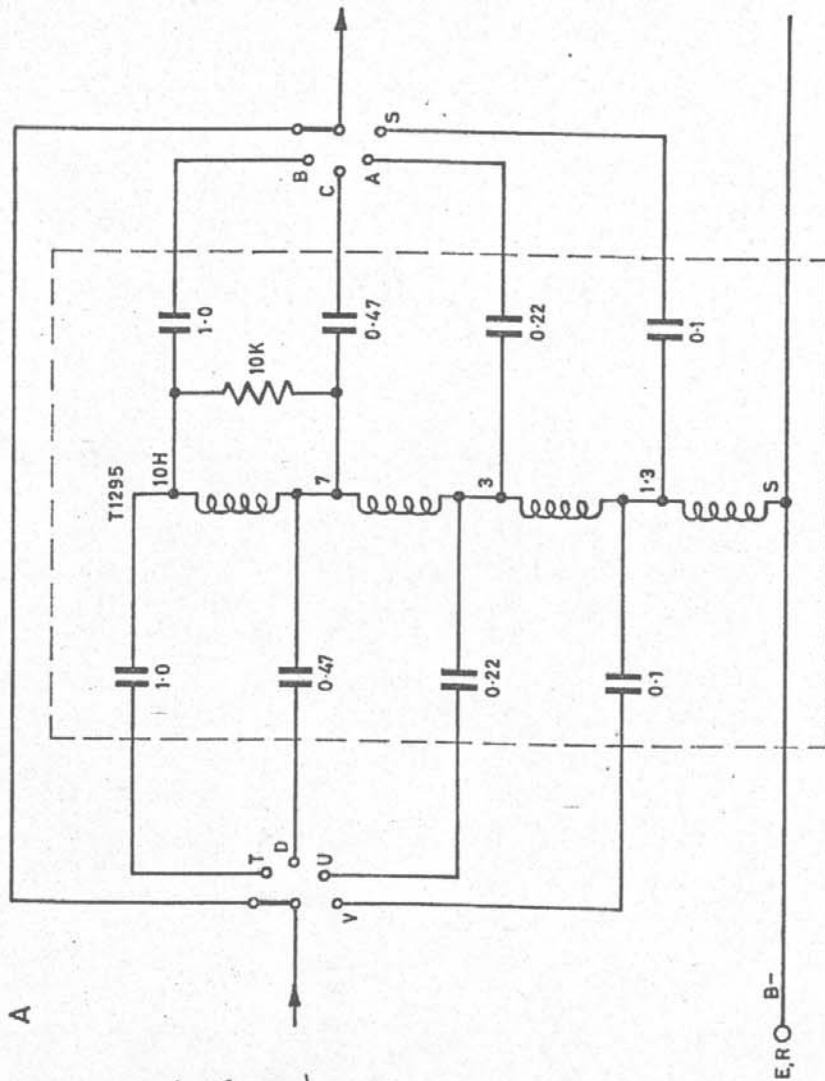
| TOL. UNLESS OTHERWISE STATED | LINEAR    | ANGULAR HOLES |
|------------------------------|-----------|---------------|
| ±                            | ±         | ±             |
| 3RD ANGLE PROJ.              | DIMS IN   | SCALE         |
| DRG. NO                      | EH/10,036 |               |
| Rupert Neve & Company Ltd.   |           |               |



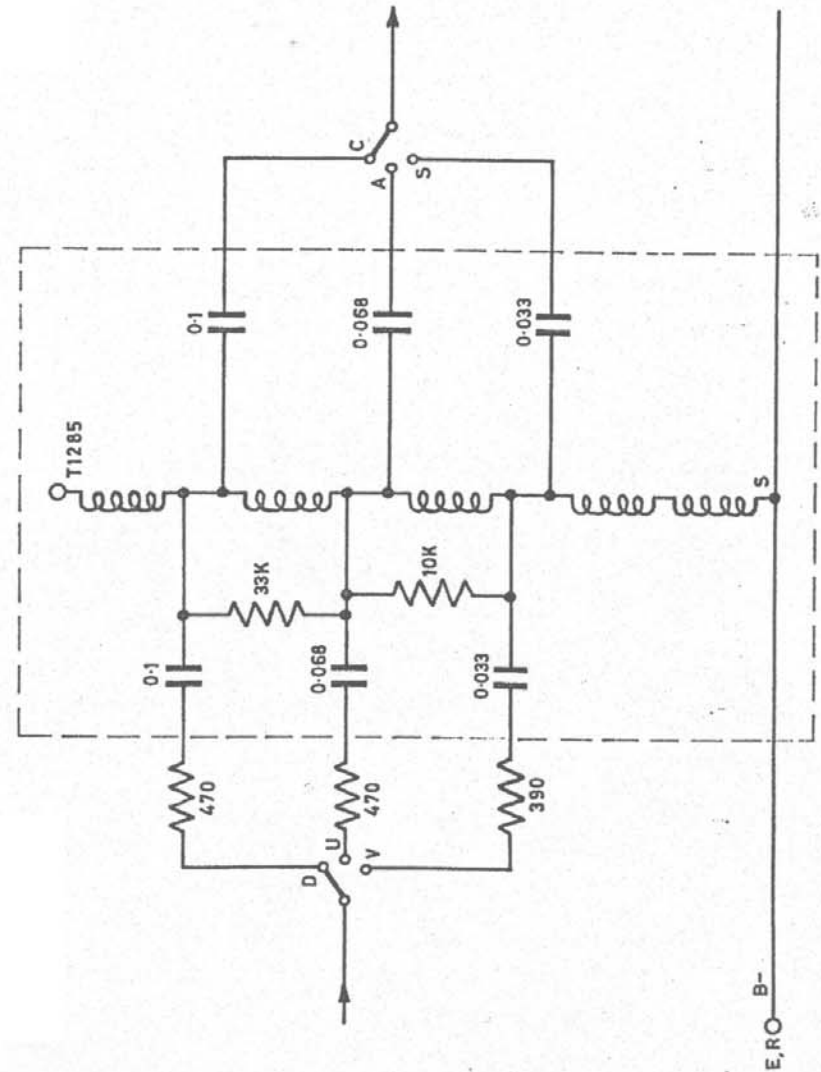
|      |           |          |     |
|------|-----------|----------|-----|
| TLN  | 038000/25 | 07.04.83 | 1   |
| NAME | MOD. No.  | DATE     | ISS |

| LOUR | QUANTITY | STOCK CODE | DESCRIPTION | COMMENT | THIRD ANGLE PROJECTION | TITLE:                |       |       | AMS NEVE |   |
|------|----------|------------|-------------|---------|------------------------|-----------------------|-------|-------|----------|---|
|      |          |            |             |         | <br>DRAWN TO B.S.308   | HIGH PASS FILTER PCB. |       |       | DRG No.  | SHT   |
|      |          |            |             |         |                        | SCALE                 | DRAWN | APP'D | DATE     | AMS NEVE PLC. BILLINGTON ROAD, BURNLEY, LANCs. BB11 5UB. ENGLAND. TEL. (01282) 457011 FAX. (01282) 417282 |

AMS NEVE PLC. owns the copyright to this drawing. It must not be copied in whole or in part, used for manufacture or otherwise disclosed without prior written consent of the company. © AMS NEVE PLC.



*1084 version*



The Neve Group of Companies,

TITLE

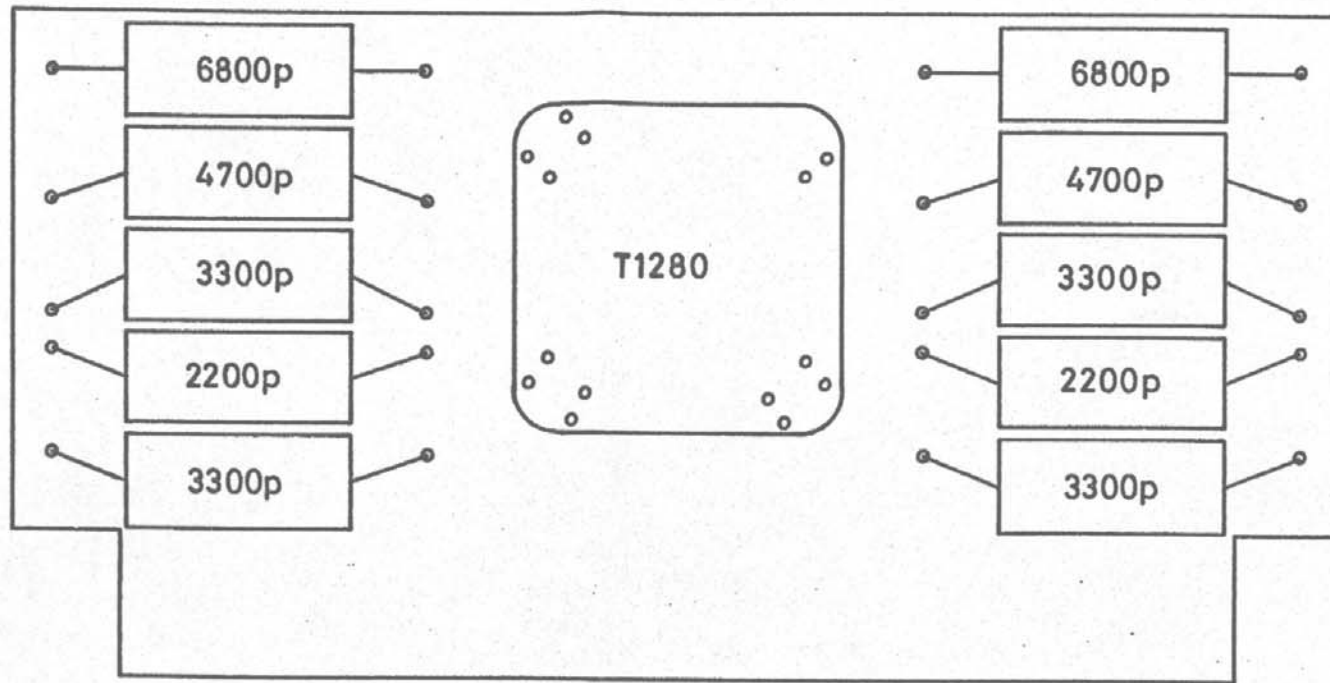
B182 A&B

This drawing is the property of this company and may not be reproduced or disclosed to a third party without the permission of this company.

DATE

DRAWING NUMBER

D/10.019 A & B



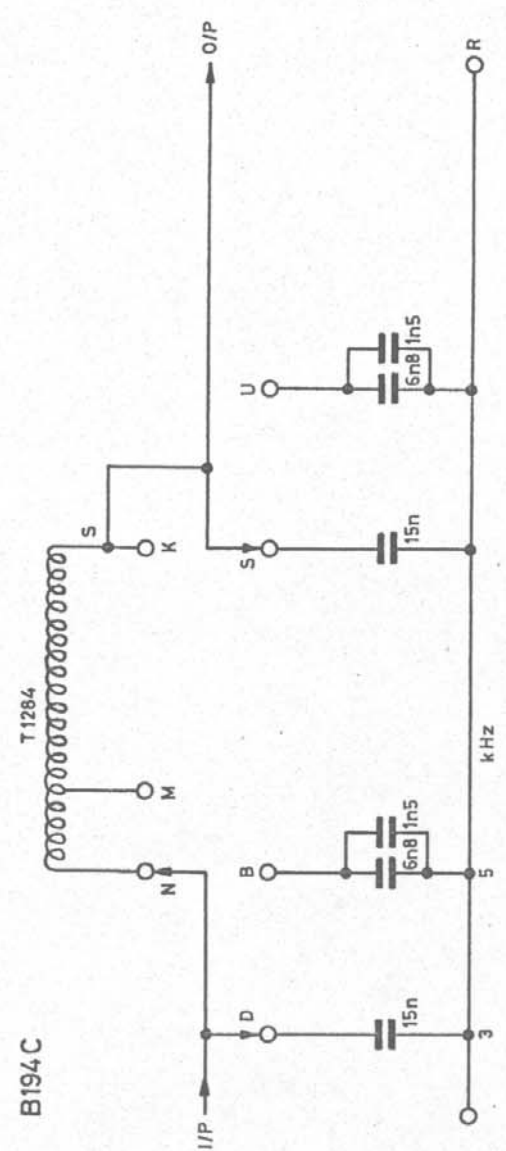
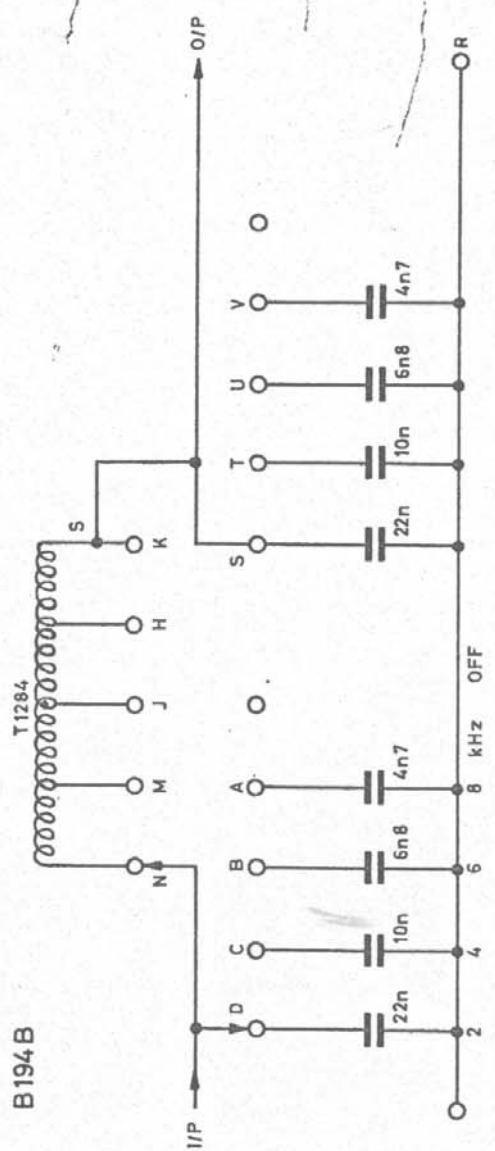
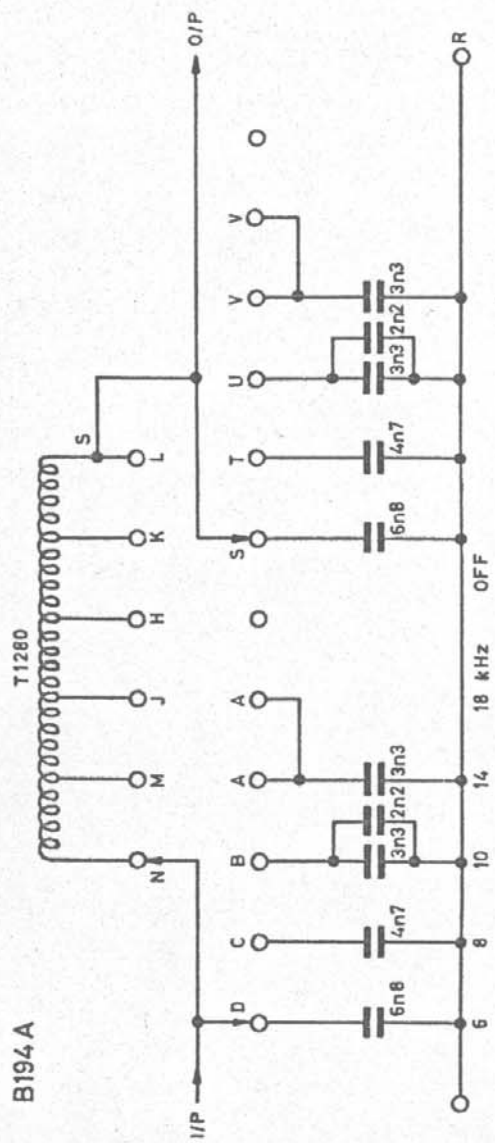
The Neve Group of Companies

TITLE B194/A - COMPONENT LAYOUT

This drawing is the property of this company and may not be reproduced or disclosed to a third party without the permission of this company.

|  |  |  |
|--|--|--|
|  |  |  |
|  |  |  |
|  |  |  |

|                |
|----------------|
| DATE           |
| DRAWING NUMBER |



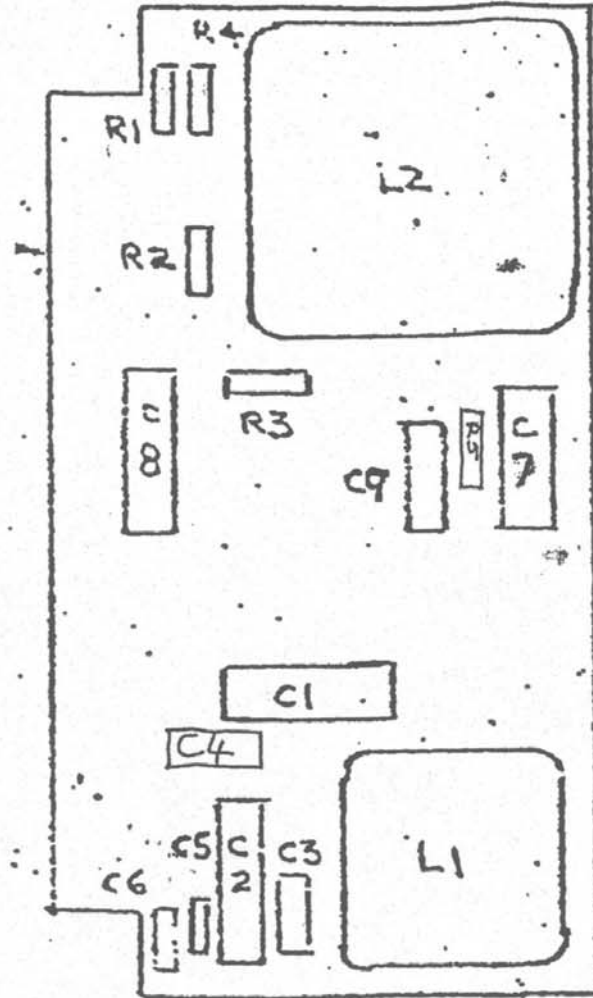
The Neve Group of Companies

TITLE B194 A,B,C LOW PASS FILTER

This drawing is the property of this company and may not be reproduced or disclosed to a third party without the permission of this company.

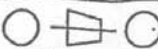
|      |         |                |                |
|------|---------|----------------|----------------|
| DATE |         | 24/2/71        |                |
| B    | 24/2/71 | DRAWING NUMBER |                |
| A    | 20/1/71 | 10 202         | D/10,031 / ABC |





|      |            |          |    |
|------|------------|----------|----|
| TLN  | Disacc/L.S | 07.04.03 | 1  |
| NAME | MOD. No.   | DATE     | IS |

| QUANTITY | STOCK CODE | DESCRIPTION | COMMENT |
|----------|------------|-------------|---------|
|          |            |             |         |
|          |            |             |         |
|          |            |             |         |

THIRD ANGLE PROJECTION  
  
 DRAWN TO B.S.308

AMS NEVE PLC. owns the copyright to this drawing. It must not be copied in whole or in part, used for manufacture or otherwise disclosed without prior written consent of the company.  
 © AMS NEVE PLC.

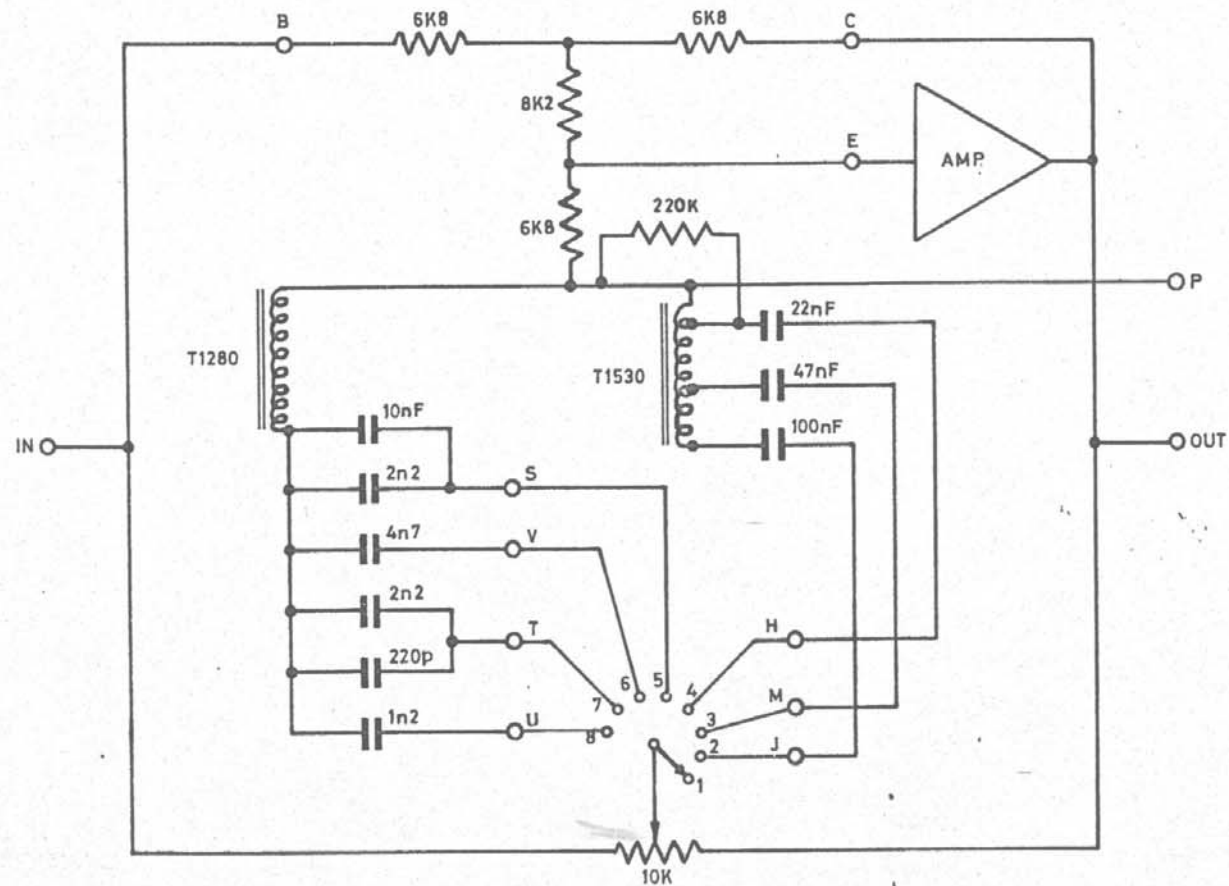
TITLE:  
**PRESENCE FREQUENCY PCB**



DRAWN APP'D DATE  
 -- AMS NEVE PLC. BILLINGTON ROAD, BURNLEY, LANCs. BB11 SUB. ENGLAND. TEL. (01282) 457011 FAX. (01282) 417282

DRG No. SHT  
 PL10211A

SCALE



- SW. POSNs.
1. OFF
  2. 0.36 KHz
  3. 0.7 KHz
  4. 1.6 KHz
  5. 3.2 KHz
  6. 4.8 KHz
  7. 7.2 KHz
  8. 10.0 KHz

NOTE:  
THIS BOARD IS IDENTICAL TO THE BA211,  
WITH ADDITION OF A WIRE LINK TO PIN P

4 16-3-76 11241 *ST*

The Neve Group of Companies

This drawing is the property of this company and may not be reproduced or disclosed to a third party without the permission of this company.

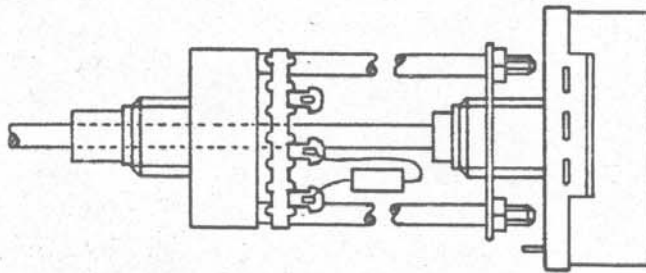
|   |          |       |
|---|----------|-------|
| 3 | 9-5-74   | 10906 |
| 2 | 6-8-73   | 10741 |
| 1 | 15-12-72 |       |

|                |            |        |
|----------------|------------|--------|
| DATE           | 14/12/72   | L.M.C. |
| DRAWING NUMBER | D/10,048/A |        |

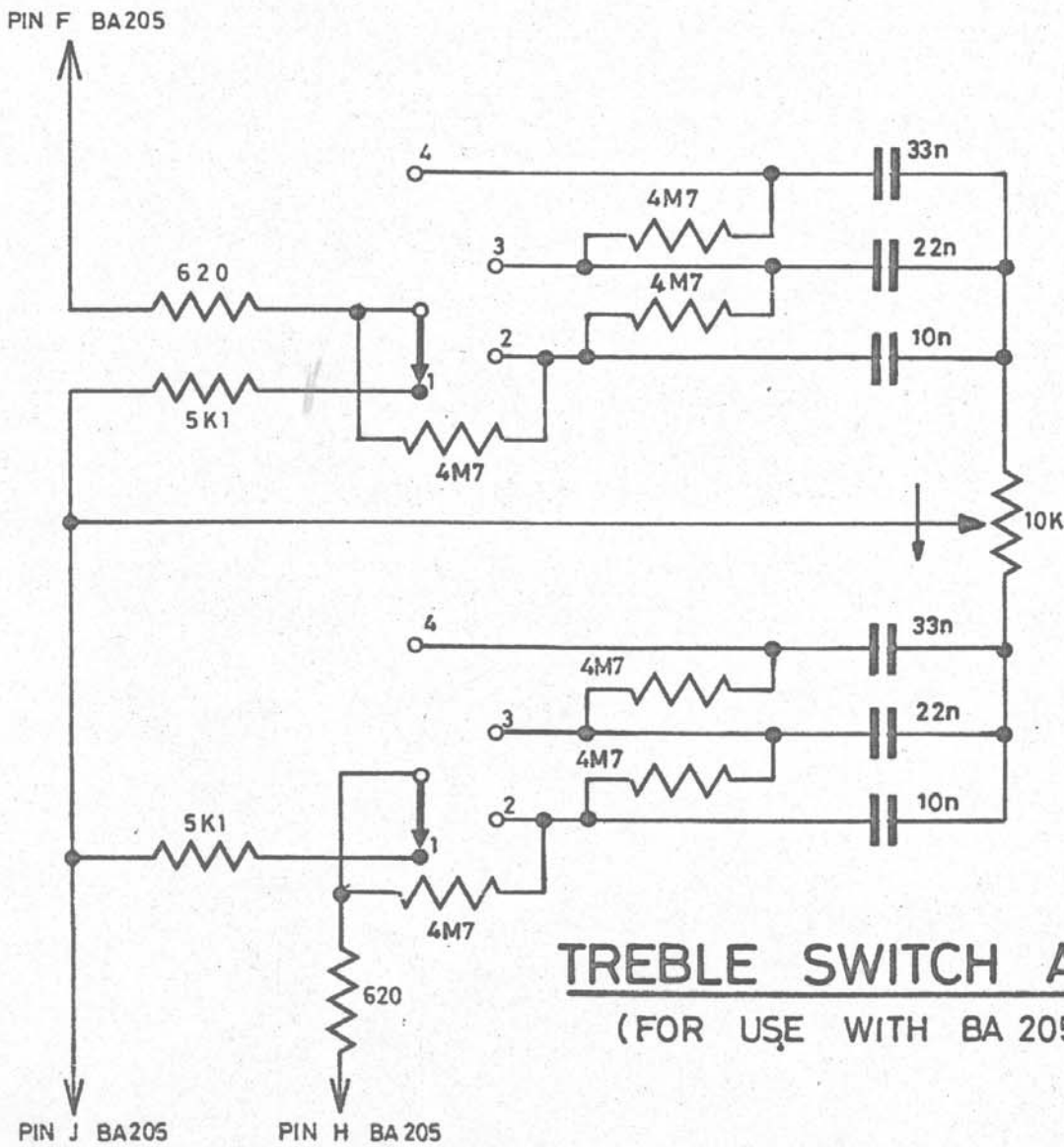
TITLE BA211/A



Rupert Neve & Company Ltd. own the copyright of this drawing which is not to be copied reproduced or disclosed, in part or whole, to a third party without written permission.



CAPACITORS & RESISTORS MOUNTED VERTICALLY AROUND SWITCH



### TREBLE SWITCH ASSY.

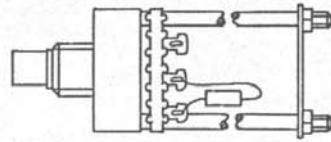
(FOR USE WITH BA 205)

|         |        |                |                            |        |                              |         |             |  |
|---------|--------|----------------|----------------------------|--------|------------------------------|---------|-------------|--|
| 2       | 1      | ISSUE          | FIRST USED ON              | MATL.  | TOL. UNLESS OTHERWISE STATED |         |             |  |
|         |        |                | 1082                       |        | LINEAR                       | ANGULAR | HOLES       |  |
| 22-1178 | 8-1-73 | DATE           | DRN. A.H.L.                | FINISH | ±                            |         | +0.13<br>-0 |  |
| 40051   |        | CHANGE NOTE NO | TRACED R.J.C.              | TITLE  | 3RD ANGLE PRJ.               | DIMS IN | SCALE       |  |
|         |        | CHECKED        | A.H.L.                     |        | TREBLE SWITCH                | DRG. NO | EK20106     |  |
|         |        | CHECKED        | Rupert Neve & Company Ltd. |        |                              | 1973    | © A4        |  |

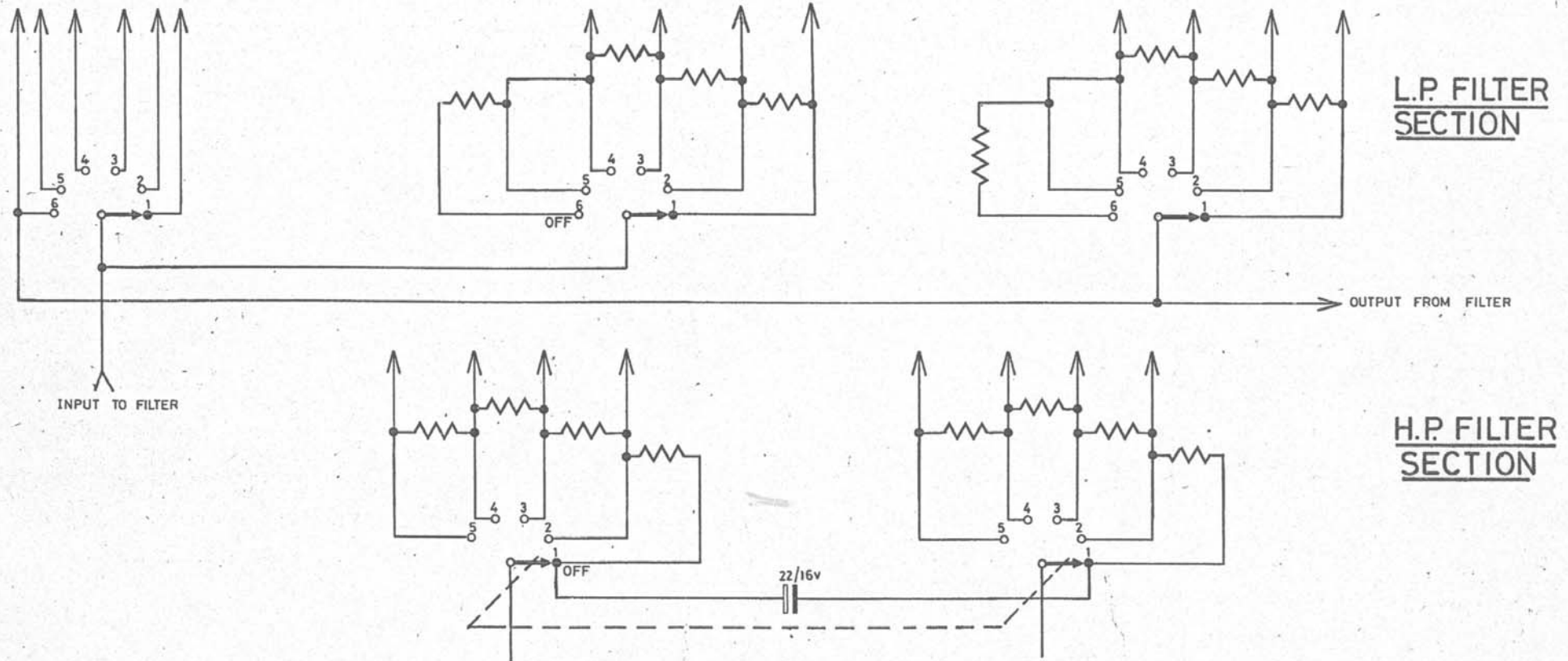
ING No  
EK 20 107



Rupert Neve & Company Ltd. own the copyright of this drawing which is not to be copied, reproduced or disclosed, in part or whole, to a third party without written permission.



RESISTORS MOUNTED  
VERTICALLY AROUND SWITCH



ALL RESISTORS 4M7

|          |        |        |                   |                         |                            |                              |              |                      |
|----------|--------|--------|-------------------|-------------------------|----------------------------|------------------------------|--------------|----------------------|
| 3        | 2      | 1      | ISSUE             | FIRST USED ON<br>10 8 2 | MAT'L.                     | TOL. UNLESS OTHERWISE STATED |              |                      |
| 30-11-73 | 5-3-73 | 8/1/73 | DATE              | DRN. A.H.L              | FINISH                     | LINEAR<br>+                  | ANGULAR<br>+ | HOLES<br>+0.13<br>-0 |
| 10 8 0 6 | 10665  |        | CHANGE<br>NOTE No | TRACED R.J.C            | TITLE                      | 3RD ANGLE PRJ.               | DIMS IN      | SCALE                |
|          |        |        | CHECKED           | AHL                     | H.P. & L.P. FILTERS        | DRG. No                      |              | EK 20 107            |
|          |        |        | CHECKED           |                         | Rupert Neve & Company Ltd. | 1973                         |              | © A3                 |