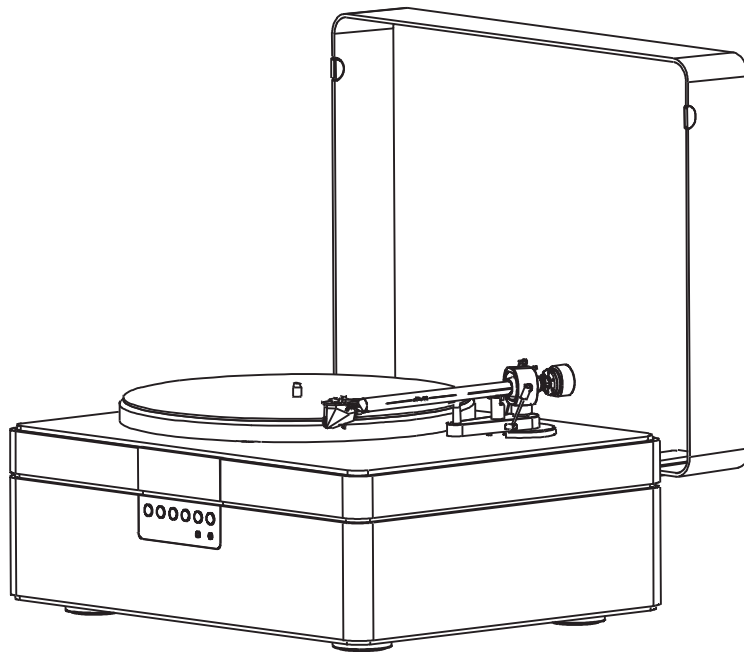


OWNER'S MANUAL

THE+RECORD PLAYER

Integrated High Fidelity Turntable System



+AUDIO

www.plusaudio.com

Table of Contents

Warnings / FCC Statement.....	4-5
Introduction / About / In the Box.....	6
Placement.....	7
Front Panel.....	8
Remote Control.....	9
Back Panel.....	10
Setup Guide.....	11-12
Bluetooth & Playback to/from a PC.....	13
Vinyl Care.....	14
Guarantee / Product Cleaning.....	15
Specifications.....	16
Contact / Disclaimer.....	17

DO NOT OPEN
TO PREVENT THE RISK OF ELECTRIC
SHOCK, DO NOT REMOVE COVER. NO
USER-SERVICEABLE PARTS INSIDE.
REFER SERVICING TO QUALIFIED
SERVICE PERSONNEL.



This symbol alerts the user to the presence of uninsulated "dangerous voltage" within the product's enclosure that may be of sufficient magnitude to constitute a risk of electric shock to persons.



This symbol is intended to alert the user to the presence of important operating and maintenance (servicing) instructions in the literature accompanying the appliance.

Important Safety Instructions

1. Read these instructions.
2. Keep these instructions.
3. Heed all warnings.
4. Follow all warnings.
5. Do not use this apparatus near water.
6. Clean only with dry cloth.
7. Do not block any ventilation openings. Install in accordance with the manufacturer's instructions.
8. Do not install near any heat sources such as radiators, heat registers, stoves, or other apparatus (including amplifiers) that product heat.
9. Do not defeat the safety purpose of the polarized or grounding-type plug. A polarized plug has two blades with one wider than the other. A grounding type plug has two blades and a third grounding prong. The wide blade or the third prong are provided for your safety. If the provided plug does not fit into your outlet, consult an electrician for replacement of the obsolete outlet.
10. Only use attachments/accessories specified by the manufacturer.
11. Use only with the cart, stand, tripod, bracket or table specified by the manufacturer, or sold with the apparatus. When a cart is used, use caution when moving the cart/apparatus combination to avoid injury from tip-over.
12. Unplug this apparatus during lightning storms or when used for long periods of time.
13. Refer all servicing to qualified service personnel. Servicing is required when the apparatus has been damaged in any way, such as power supply cord or plug is damaged, liquid has been spilled or objects have fallen into the apparatus, the apparatus has been exposed to
14. been dropped.
15. Do not expose this apparatus to drips or splashes.
16. The apparatus shall not be exposed to dripping or splashing and that no objects filled with liquids, such as vases, shall be placed on the apparatus.
17. Do not install this apparatus in a book case or similar unit.
18. The apparatus draws nominal non-operating power from the AC outlet with its STANDBY/ON switch in the standby position.
19. The apparatus should be located close enough to the AC outlet so that you can easily grasp the power cord plug at any time.
20. To completely disconnect the power input, the rear panel power switch may be switched off.
21. Excessive sound pressure from earphones and headphones can cause hearing loss.
22. The battery shall not be exposed to excessive heat such as sunshine, fire or the like.



Additional Safety Advice

1. Keep surrounding objects at least four inches away from the apparatus for adequate ventilation.
2. Ventilation openings on the apparatus should not be impeded by such items as newspaper, cloths, curtains, and the like.
3. Do not place naked flame sources near the apparatus, such as lighted candles.
4. Dispose of internal electronics in accordance with local safety and environmental regulations
5. Do not operate the apparatus at a temperature less than 36 F / 2 C or greater than 100 F / 38 C.

Caution

- DO NOT REMOVE THE EXTERNAL ENCLOSURE PARTS TO EXPOSE THE ELECTRONICS. NO USER SERVICEABLE PARTS ARE INSIDE.
- IF YOU ARE EXPERIENCING PROBLEMS WITH THIS PRODUCT, CONTACT PLUS AUDIO CUSTOMER SUPPORT. DO NOT USE THE PRODUCT UNTIL IT HAS BEEN REPAIRED.

FCC STATEMENT FOR THE U.S.A.

This equipment has been tested and found to comply with the limits for a Class B digital device, pursuant to Part 15 of the FCC Rules. These limits are designed to provide reasonable protection against harmful interference in a residential installation. This equipment generates, uses and can radiate radio frequency energy and, if not installed and used in accordance with the instructions, may cause harmful interference to radio communications. However, there is no guarantee that interference will not occur in a particular installation.

If this equipment does cause harmful interference to radio or television reception, which can be determined by turning the equipment off and on, the user is encouraged to try to correct the interference by one or more of the following measures:

- Reorient or relocate the receiving antenna.
- Increase the separation between the equipment and receiver.
- Connect the equipment into an outlet on a circuit different from that to which the receiver is connected.
- Consult the dealer or an experienced radio/TV technician for help.

Caution:

Changes or modifications not expressly approved by the party responsible for compliance could void the user's authority to operate the equipment.

Caution

Changes or modification to this equipment not expressly approved by +AUDIO for compliance will void the user's warranty.



This product can be recycled. Products bearing this symbol must NOT be thrown away with normal household waste. At the end of the product's life, take it to a collection point designated for recycling of electrical and electronic devices. Find out more about return and collection points through your local authority.

The European Waste Electrical and Electronic Equipment (WEEE) Directive was implemented to dramatically reduce the amount of waste going to landfills, thereby reducing the environmental impact on the planet and on human health. Please act responsibly by recycling used products. If this product is still usable, consider giving it away or selling it.

ISED Compliance Statement:

This device contains licence-exempt transmitter(s)/receiver(s) that comply with Innovation, Science and Economic Development Canada's licence-exempt RSS(s). Operation is subject to the following two conditions:

1. This device may not cause interference.
2. This device must accept any interference, including interference that may cause undesired operation of the device.

L'émetteur/récepteur exempt de licence contenu dans le présent appareil est conforme aux CNR d'Innovation, Sciences et Développement économique Canada applicables aux appareils radio exempts de licence. L'exploitation est autorisée aux deux conditions suivantes :

1. L'appareil ne doit pas produire de brouillage;
2. L'appareil doit accepter tout brouillage radioélectrique subi, même si le brouillage est susceptible d'en compromettre le fonctionnement.

This equipment complies with IC RSS-102 radiation exposure limits set forth for an uncontrolled environment. This transmitter must not be co-located or operating in conjunction with any other antenna or transmitter.

ce matériel est conforme aux limites de dose d'exposition aux rayonnements ic rss-102 énoncées pour un autre environnement. cet émetteur ne doit pas être situées ou opérant conjointement avec toute autre antenne ou l'émetteur.

THE+RECORD PLAYER Instructions

Thank you for purchasing THE+RECORD PLAYER, a product that epitomizes the +AUDIO philosophy of delivering superb sound quality in a long-lasting form that's both easy on the eyes and remarkably simple to use. With the proper care and operation, THE+RECORD PLAYER will provide many years of trouble-free enjoyment.

To get the most from your product, be sure to thoroughly review this manual and heed the important safety instructions. If you have any questions not covered here please contact your local +AUDIO customer support by phone or email.

Please save the carton and original packaging in case you ever need to move or ship your unit.

About +AUDIO

Comprised of passionate music lovers and professionals who span design, engineering, manufacturing and distribution, +AUDIO creates high-performance entertainment products that deliver a magnificent HiFi experience from elegantly designed, compact enclosures.

Unlike some other audio companies who simply place their name on off-the-shelf products, +AUDIO designs and engineers its audio products from the ground up, with the finest parts, materials and components sourced from a handpicked group of manufacturers that meet exacting quality standards. The result is durable products designed for your continued musical enjoyment.

In the Box

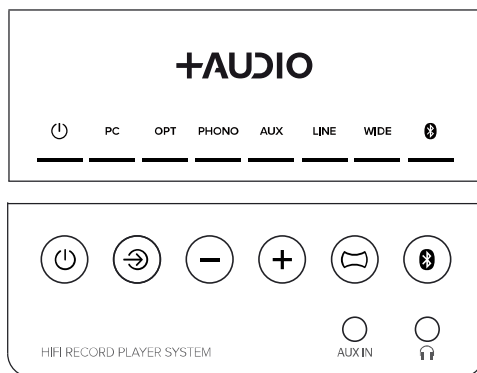
- THE+RECORD PLAYER
- Dustcover
- Setup Guide
- IR Remote Control
- AC Power Cord
- Platter with Felt Mat
- Phono Cartridge
- Operational Manual
- Pro-Ject Turntable Manual
- Tonearm Counterweight
- Anti-Skate Weight
- 7" Single Adapter
- Belt

Placement

As with any sound system, placement within your room will affect how effectively the sound fills the space. THE+RECORD PLAYER features a 270-degree sound field to provide a spacious, room-enveloping performance. Following a few simple guidelines will result in the most enjoyable sound quality.

- To assure the most even sound coverage, try to place THE+RECORD PLAYER near the center of one of the walls, at, or slightly below ear height for a seated listener.
- If the unit will be placed in a corner, angle it at 45-degrees so that one side is not blocked.
- Try to avoid placing the unit in an enclosed bookshelf or cabinet as this will significantly compromise its performance.
- Keep the sides of the unit unobstructed by solid objects for as much distance as practical, but at least 12" (~30.5 cm).
- Place the unit on a solid table or component rack. DO NOT use soft vibration isolators or place the unit on a carpet or foam. If the surface is not sufficiently rigid, acoustic feedback will result.

Front Panel



Top portion:

IR Remote Receiver (behind logo).

LED bar-graph indicating relative volume. The LED's will illuminate during volume adjustment and will extinguish approximately 5-seconds after adjustment is complete.

Status LED's indicating Power ON, Selected Source, Turntable Speed, and Listening Mode.

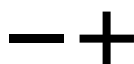
Bottom portion (from left to right):



Press to WAKE from Standby. Short press (<3 sec.) to MUTE. Long press (>3 sec.) to enter STANDBY.



Short press to select source (except Bluetooth). Long press when PHONO is the source to change speed (33-1/3 or 45RPM). The PHONO LED indicator will turn GREEN to indicate 45RPM speed.



Decrease (-) or increase (+) volume by approximately 2dB per step.



Press to scroll through listening modes: STEREO (LED off) / WIDE (white LED) / MONO (red LED).



Press for Bluetooth. To exit Bluetooth press the source select button.

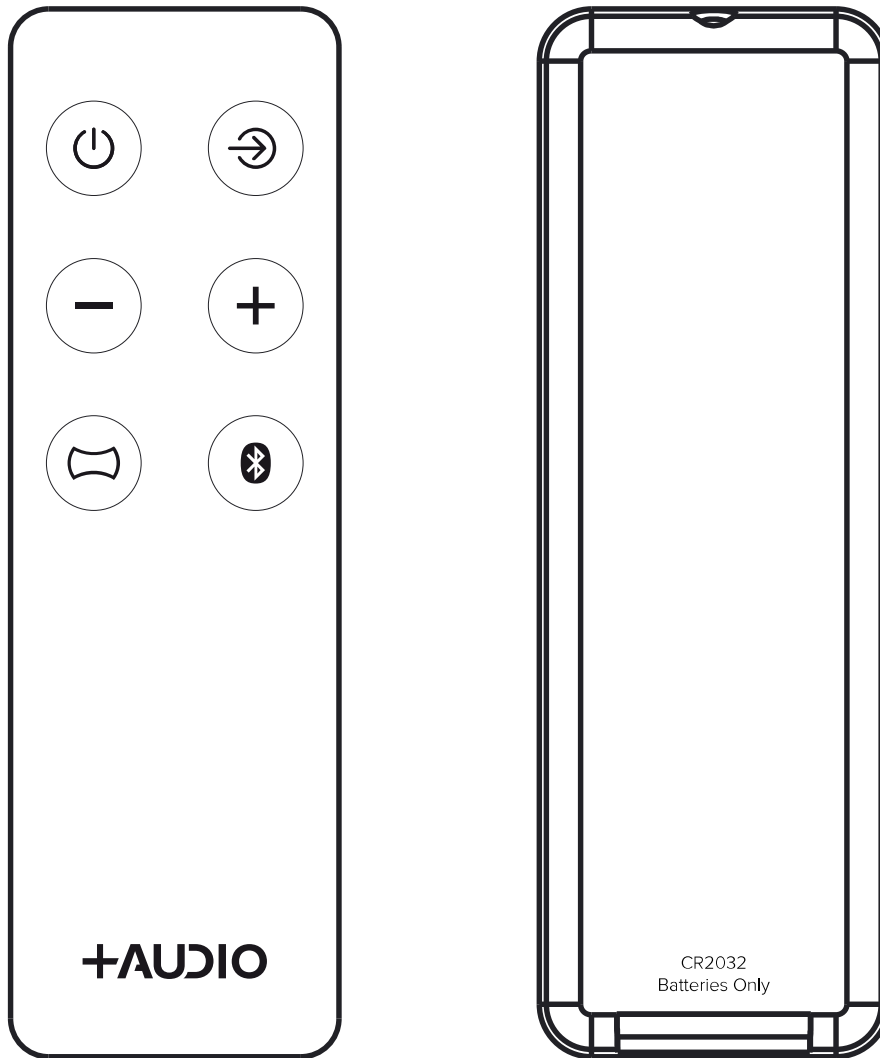
AUX IN

AUX: Duplicates the function of the Rear Panel AUX input jacks. When a plug is inserted into this jack, the rear panel phono jacks are overridden.



HEADPHONE: Plugging headphones into this jack will power headphones and turn off the internal speakers and preamp output.

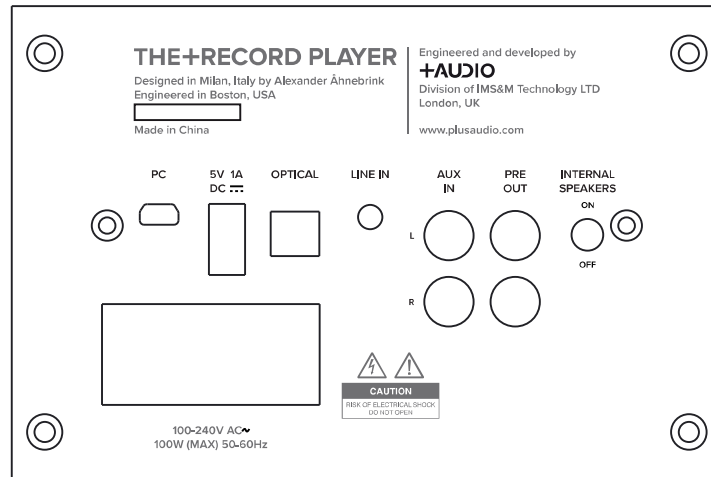
Remote Control



The remote control buttons duplicate those found on the front panel and operate exactly as previously described with one exception: Pressing and holding the remote source select button will not change the turntable speed like it does on the front panel.

When necessary, replace the remote control battery with model CR2032 only.

Back Panel



PC (USB-Mini B): Use a USB-Mini B to USB-A cable to connect to your computer for recording or file playback.

5V (USB-A): Power your mobile device or Google Cast audio or Amazon Echo WiFi audio adapter.

TOSLINK OPTICAL DIGITAL INPUT: Accept SPDIF or PCM audio from an optical connection, such as a TV, Apple Airport Express or similar device.

LINE IN (1/8" input): Connect a line level audio source or WiFi audio adapter. This input has auto signal sensing that will wake the unit from standby and switch to this input when an audio signal is present.

AUX IN (RCA input): Connect an external audio device, such as a CD player or a radio Tuner.

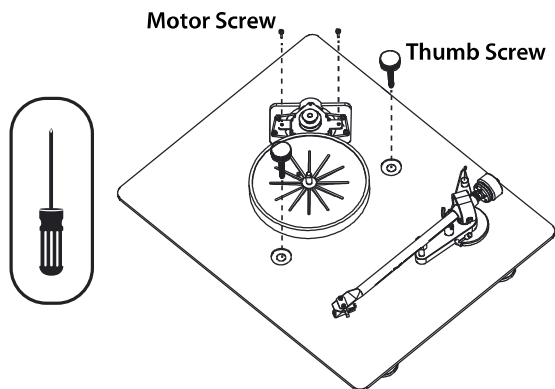
PRE-OUT (Preamp output): Output an unamplified signal to an external amplifier, a set of powered speakers, or a subwoofer.

INTERNAL SPEAKER SWITCH: Turn the internal speakers on or off.

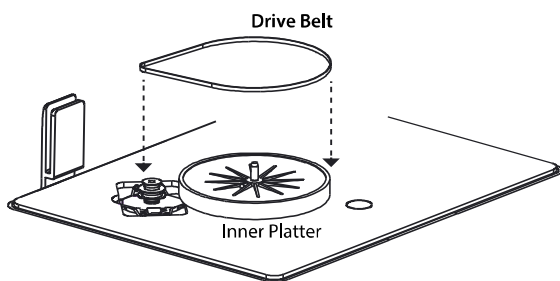
POWER INLET CONNECTOR: Plug the female end of the supplied cable here, and the male side into a mains power outlet.

POWER SWITCH: Press the top of the switch to turn on the unit. Turn OFF if you plan on leaving the unit unused for an extended period of time. The unit will draw minimal power during standby, so this switch may normally be left on.

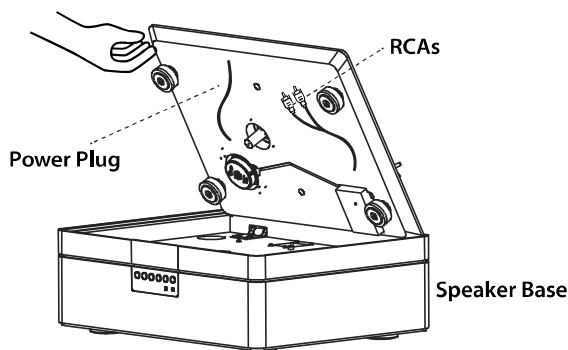
THE+RECORD PLAYER Setup Guide



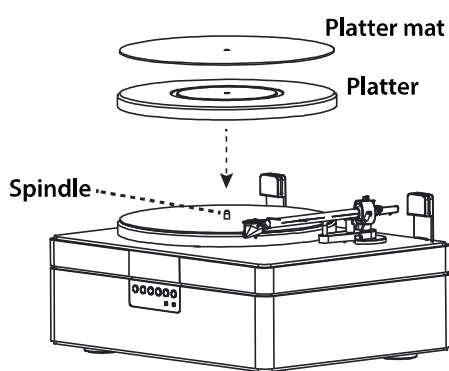
STEP 1: Remove the TWO motor screws from the turntable with a screwdriver. US/CAN customers: remove the TWO large thumb screws. Save all screws and install them whenever shipping or moving the unit a great distance, or damage may occur.



STEP 2: Install the drive belt by stretching it around the inner platter and over the “top step” of the small motor pulley. US/CAN customers: skip to Step 4(b).

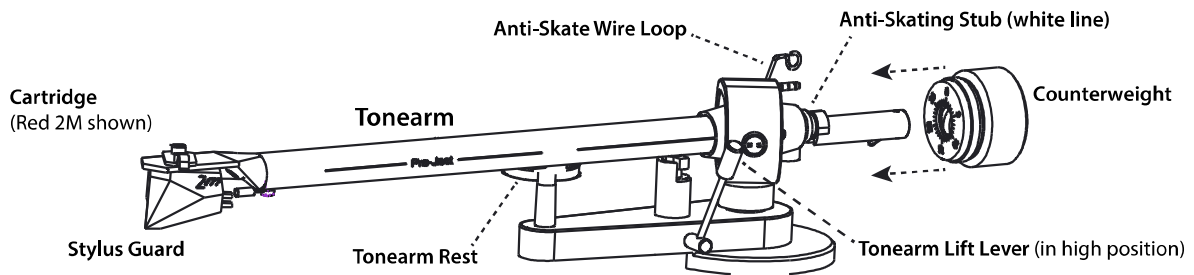


STEP 3: Place the turntable against the speaker base with one hand. Use the other hand to connect the turntable RCA's (Red/White) to the base's corresponding RCA input port; similarly, connect the turntable power plug to the power connector port.

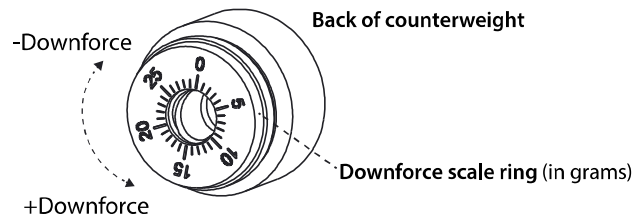


STEP 4: (a) Lower the turntable fully into the base, nestling the turntable feet into the corresponding foot cutouts in the speaker base. (b) Ensure the turntable plinth (platform) does not touch the inner wall of the speaker base (by 1/4” / 6 mm), or acoustic feedback may result during vinyl record playback. With two hands, gently place the platter on the spindle, followed by the felt platter mat.

THE+RECORD PLAYER Setup Guide (Continued)



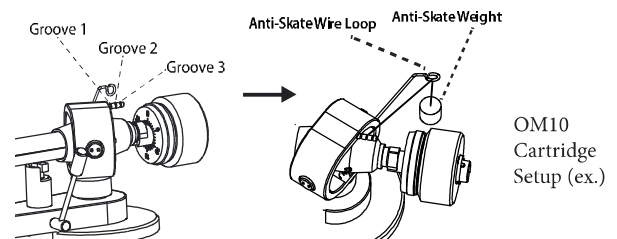
STEP 5 - TONEARM BALANCING: Install the counterweight by pushing it carefully onto the rear of the tonearm. You may remove the stylus guard from the cartridge. With the tonearm lift lever in the lower position, move the tonearm from its rest and carefully rotate the counterweight until the tonearm tube balances such that it floats level. Once the tonearm is correctly balanced, return it to the tonearm rest position.



STEP 6 - COUNTERWEIGHT: Use one hand to hold the back of the counterweight without moving it, and use the other hand to gently revolve the downforce scale ring until the zero (0.0g) is vertical in line with the anti-skating stub (marked by a white line on the back of the tonearm). Next, rotate the counterweight and downforce scale ring as one, counter-clockwise (as seen from the front) to adjust the downforce according to the cartridge manufacturer's recommendations using the numbers on the downforce scale ring:

- OM10 cartridge: set the force to 1.8g
- 2m Red cartridge: set the force to 2.0g

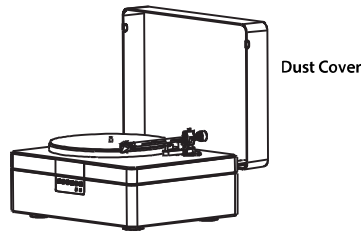
STEP 7 - ANTI-SKATE: To set the anti-skate force, carefully hang the anti-skate weight over the wire loop and attach the string to the appropriate groove on the anti-skating stub:



- For the OM10, set the string in the middle groove (Groove 2, shown in example above)
- For the 2M Red, set the string in the rearmost groove (Groove 3)

Important note: If you should change to a different cartridge in the future, refer to more detailed instructions in the owner's manual or on our website.

STEP 8 - DUST COVER: Attach the dust cover by inserting it into the two hinges.



Bluetooth

To pair your device:

1. Press the Bluetooth button to enter Bluetooth mode.
2. Enter Bluetooth pairing mode on your device per your device's instructions.
3. Your device should soon recognize THE+RECORD PLAYER. When recognized, select to connect.
4. Use your device to play an audio signal. Be aware that your device's volume control may still operate in addition to the volume control on THE+RECORD PLAYER, so if you do not have adequate volume make sure your device is turned up to a reasonable level.

If THE+RECORD PLAYER does not show up on the Bluetooth screen of your device it may be already paired to another device within range. It must be first disconnected from that device before it can be paired with a new device. If you are certain this is not the case, exit Bluetooth mode and reselect it to restart the scan process.

Recording and playing to, or from a PC

You may use THE+RECORD PLAYER to record your music to a PC or Mac, or play back music stored on your hard drive. Connect a USB-Mini B to USB-A cable from the PC jack on THE+RECORD PLAYER to a USB jack on your PC or Mac. It does not require any special drivers or software, but will emulate an external soundcard so that it may be used with any software you choose.

On your PC or Mac, enter the SOUND menu from within your Control Panel or System Preferences. Select "USB CODEC" as the INPUT device for recording, and the OUTPUT device for playback. You may now use built in apps such as Windows Media Player or Quicktime to record or playback from whatever source, except PC, you have selected on THE+RECORD PLAYER.

There is a variety of software and freeware available such as Audacity (www.audacityteam.org), which provide features such as pop suppression and automatic track splitting.

Vinyl Care

Unlike digital and solid state sources of music, turntables and vinyl LP's require a gentle touch to maximize performance and longevity. Following these guidelines will result in years of noise-free, reliable performance.

- Do not handle records by the grooved areas. Grasp them by the edges, or by balancing the label on your thumb and steadying it with your forefinger at the edge of the record. Fingerprint oils attract dust which increases wear and adds noise.
- Invest in a good record cleaning brush and use it prior to each play.
- Invest in a quality residue-free record cleaning system. Use it after every few plays or as needed.
- Always place your records back in their protective sleeves immediately after each use. Never leave them laying around unprotected.
- Always store your records vertically, and away from heat and sunlight.
- Whenever possible, use the arm lift (a.k.a. cueing lever) to gently raise and lower the stylus to the record surface.
- Clean the stylus regularly using a soft brush, or by blowing on it. Always brush from back to front. NEVER brush from side to side or front to back or the stylus will be damaged.
- Never play a record with a bent, misaligned, or damaged stylus or the record will be permanently damaged.
- Always use the tracking force recommended by the stylus manufacturer. Setting the force too light is as damaging to your valuable vinyl LP's as setting it too heavy.

30-Day Satisfaction Guarantee for Orders on Plusaudio.com

We are so convinced that you will love your new +AUDIO product that if you are dissatisfied in any way, you may return your unit (purchased through www.plusaudio.com) within 30-days from the time your order ships for a full refund, minus the cost of any damaged, missing or abused components.

Products purchased through an authorized reseller are governed by that reseller's policy.

To initiate a return for a unit purchased online, please email us at support@plusaudio.com (U.S./Canada units) or info@plusaudio.com (international units) with the following information:

1. Your name, address, purchase date, phone number, and where the unit was purchased.
2. Your purchase order number and product serial number (if applicable).
3. Your reason for returning the item: For example, repair or refund.
4. You will be issued a Return Authorization and a pre-printed shipping label, which must be used to assure accurate transaction tracking.
5. You are responsible for items missing any parts or accessories. Damage due to accident or abuse, or products not returned in their complete original packaging will be subject to restocking and/or replacement fees. Returned items are the customer's responsibility until they reach the return address. A refund will be issued once we receive the returned items (normally within 3 business days). Refunds do not include any shipping costs.

Product Cleaning

Use a soft dry or slightly damp cloth, or compressed air.

Do not use harsh cleaner anywhere on the product. Only clean the exterior of the product. Fine dust cover scratches can be treated with a mild abrasive compound such as toothpaste or automotive headlight cleaner and microfiber cloth.

Specifications

Description: Integrated phonograph with Bluetooth, USB, Toslink, and Auxiliary inputs

Music Power: 100W total (2 x 35W to woofers + 2 x 15W to tweeters)

Acoustic Frequency range: 55Hz – 20kHz +/- 3dB (under laboratory conditions)

Turntable:

Motor: 24-pole AC Synchronous motor driven by digitally synthesized 2-speed electronic speed control

Platter: 12” Steel with felt mat

Speeds: 33.33/45 RPM

Wow and Flutter: <.2%

Drive system: Flat belt

Tonearm (Standard Edition): One piece damped aluminum

Tonearm (Special Carbon Edition): One piece Carbon Fiber

Phono Cartridge:

Ortofon OM10 (Standard Edition); or Ortofon 2m Red (Carbon Edition)

Optical Input: Toslink SPDIF 44.1kHz, PCM

PC USB Input/Output: 44.1kHz/48kHz 16-bit. Mac and PC compatible, no driver required

Headphone Output: 150mW @ 16 Ohms. Compatible with 16-10k Ohm headphones. Frequency Response: 20Hz–20kHz

Line Output: 1000mV, variable with volume control

Power Consumption: 100-240VAC / 110W max. <0.5W Standby current

Weight: 12.7 kg / 28 lbs

Shipping Weight: 15 kg / 33 lbs

Dimensions:

Height: 215mm / 8.5”

Width: 446mm / 17.6” W

Depth: 356mm / 14” D

Contact

+AUDIO
Division of IMS&M Technology Ltd

4th Floor - Sutherland House
70-78 West Hendon Broadway
London NW9 7BT - United Kingdom

T: +44 2082029519
info@plusaudio.com

+AUDIO USA
(US/Canada)

PO BOX 764
North Andover, MA 01845

T: +1 877.331.5380
support@plusaudio.com

Disclaimer

+AUDIO is a registered trademark of IMS&M TECHNOLOGY Ltd.
PRO-JECT is a registered trademark of AUDIO TUNING Vertriebs GesmbH.
ORTOFON is a registered trademark of ORTOFON S/A.

WARNING

CAUTION

Danger of explosion if battery is incorrectly replaced. Replace only with the same or equivalent type.

WARNING

Do not ingest the battery. Chemical Burn Hazard.

The remote control supplied with this product contains a coin/button cell battery.

If the coin/button cell battery is swallowed, it can cause severe internal burns in just 2 hours and can lead to death.

Keep new and used batteries away from children.

If the battery compartment does not close securely, stop using the product and keep it away from children.

If you think batteries might have been swallowed or placed inside any part of the body, seek immediate medical attention.

If the MAINS plug or an appliance coupler is used as the disconnect device, the disconnect device shall remain readily operable

Use this apparatus in moderate climates. Attention should be drawn to the environmental aspects of battery disposal.

