

MR Booster Manual

Order No. MN001808-1

Issue 7/99

**© Copyright 1999 Mikom
All Rights Reserved**

MIKOM

An Allen Telecom Company

Field Support

If you need technical assistance with the MR Booster contact **MIKOM** at:

Technical Hotline: (800) 800-3224

All rights reserved. No part of this publication, or any software included with it, may be reproduced, stored in a retrieval system, or transmitted in any form or by any means, including photocopying, electronic, mechanical, recording, or otherwise, without prior written permission of the copyright holder.

This document contains proprietary information of MIKOM. The contents are confidential and any disclosure to persons other than the officers, employees, agents, or subcontractors of the owner or licensee of this document, without prior written consent of MIKOM, is strictly prohibited.

Safety Information

The MR Booster equipment has been designed for maximum safety when installed, operated, and maintained according to the instructions in this manual. Do not bypass any of the safety features of this equipment or operate this equipment in an improper environment.

All wiring external to the equipment should comply with the current edition of the Electrical Code or any national wiring rules that apply.

Publication Notice

The information in this document is subject to change without notice. MIKOM shall not be liable for technical or editorial errors or omissions that may occur in this document, or for incidental or consequential damages resulting from the furnishing, performance, or use of this document.

LIMITED WARRANTY

MIKOM, a division of ALLEN TELECOM INC. ("ALLEN TELECOM"), warrants, on the terms and conditions hereto set forth, all products manufactured by it to be free under normal use and service from defects in materials and workmanship for a period of one (1) year from the date of shipment, to the first consumer (the "Warranty Period").

ALLEN TELECOM's obligation under this Warranty is limited to prompt repair or replacement of the product, at its option, without charge, at an authorized ALLEN TELECOM dealer or at the factory of ALLEN TELECOM in Cleveland, Ohio, when the product is returned to an authorized dealer or to the factory with all transportation charges prepaid and examination of the product shall disclose it to have been defective in the respects aforesaid during the Warranty Period.

The Limited Warranty Period shall not be extended beyond its original term with respect to any part or parts repaired or replaced by ALLEN TELECOM hereunder.

The Warranty Period shall not apply to any product which has been repaired or altered in any manner by anyone other than ALLEN TELECOM or an authorized outlet of ALLEN TELECOM, or if the defect, malfunction or failure of the was caused by damage by lightning, flood or other acts of nature or by power surges, or from unreasonable use, or from improper installation or application, or to any product which has not been maintained or used in accordance with the operating specifications set forth in ALLEN TELECOM's written instructions.

IMPLIED WARRANTIES OF MERCHANTABILITY OR FITNESS FOR ANY PARTICULAR PURPOSE ARE LIMITED IN DURATION TO THE WARRANTY PERIOD SPECIFIED ABOVE.

UNDER NO CIRCUMSTANCES SHALL ALLEN TELECOM BE LIABLE FOR ANY CONSEQUENTIAL DAMAGES FOR BREACH OF THIS WARRANTY OR OF ANY IMPLIED WARRANTY.

ALLEN TELECOM neither assumes nor authorizes any person to assume for it any obligation or liability other than as herein expressly stated.

Contents

	<u>Page</u>
Section 1. Introduction.....	1
1.1 About This Manual.....	1
1.2 Conventions Used in This Manual	2
1.3 Terminology	2
Section 2. System Description	3
2.1 Introduction	3
2.2 System Overview	3
2.3 Theory of Operation	5
2.3.1 Downlink Path	5
2.3.2 Uplink Path	6
2.3.3 System Control	6
2.4 System Components.....	9
2.4.1 Power Supply	9
2.4.2 Downlink Power Amplifier	9
2.4.3 Logic Controller Board	9
2.4.4 PA Combiner/Splitter Module	10
2.4.5 Uplink Low Noise Amplifier.....	10
2.4.6 Duplexers.....	11
2.4.7 RF Cable	11
2.4.8 Fan Assembly.....	11
2.4.9 VSWR Module	11
2.4.10 Downlink Driver Amplifier	12
2.4.11 Input/Output Panel	12
Section 3. Installation	15
3.1 Introduction	15
3.2 Site Selection.....	15
3.2.1 Equipment Inventory	15
3.2.2 Installation Tools and Equipment	16
3.2.3 Site Requirements.....	16
3.3 Installation	17
3.3.1 Mechanical.....	17
3.3.2 Electrical Connections	20
3.3.3 RF Connections.....	21
3.3.4 Logic Controller Board.....	22
3.4 Installation Checklist	24
3.5 System Optimization	25
3.5.1 Downlink Gain Setting	25
3.5.2 Downlink Power Measurement.....	25
3.5.3 Uplink Gain Setting	26

Section 4. Setting Up for Initial Operation 27

- 4.1 Introduction..... 27
- 4.2 Connecting a Terminal..... 28
- 4.3 Basic Commands 29
 - 4.3.1 Syntax 29
 - 4.3.2 Entering Commands..... 30
 - 4.3.3 Commonly Used Commands 30
 - 4.3.4 Escaping From Continuous Cycle 31
 - 4.3.5 Ending a Session 31
- 4.4 Using SET Menus..... 32
 - 4.4.1 Moving Forward..... 32
 - 4.4.2 Moving Backward..... 33
 - 4.4.3 Exiting 33
- 4.5 Setting Initial Parameters 33
 - 4.5.1 Checking System Status 33
 - 4.5.2 Setting PA Parameters..... 33

Section 5. Troubleshooting 35

- 5.1 Introduction..... 35
- 5.2 System Status Indicators 35
 - 5.2.1 Logic Controller LED Indicators 35
 - 5.2.2 Power Supply LED Indicators 36
 - 5.2.3 Logic Controller Software Alarms and Monitoring Parameters 36
- 5.3 Removing and Replacing Failed Parts 36

Section 6. Specifications 37

Appendix A:TBD A-1

Parts & Accessories

- A. Introduction..... Parts-1
- B. Model Numbers Parts-1
- C. Suggested Spares Parts-2
- D. Replacing Parts and Accessories Parts-3

Section 1. Introduction

1.1 About This Manual

This manual provides installation, operating, and maintenance instructions for the MR Booster. It is intended for anyone who installs or maintains MR Booster equipment.

Section 1. Introduction: Provides a brief overview of the manual contents and terminology.

Section 2. System Description: Describes the basic functionality, features, and technical details of an MR Booster.

Section 3. Installation: Explains the procedures for mounting the MR Booster and making all connections.

Section 4. Setting Up for Initial Operation: Describes the procedures for connecting and operating a local terminal.

Section 5. Troubleshooting: Describes the procedures for locating and fixing problems that can occur in an MR Booster.

Section 6. Specifications: Lists mechanical, electrical, and environmental specifications of the MR Booster.

Appendices

A. TBD

Parts & Accessories Order Information

Provides information about MR Booster model and part numbers, and suggested spares.

1. Introduction

1.2 Conventions Used in This Manual

The following special notations are used to draw attention to particularly important information:



WARNING! Warning statements alert you to situations that can cause equipment damage. Failure to heed warning statements may void any existing warranties.



CAUTION: Caution statements alert you to situations that can cause interruption or serious degradation of service. For optimum system performance, observe caution statements.

NOTE: Notes contain helpful hints or reminders of important information.

1.3 Terminology

The following table lists the meanings of frequently used acronyms in this manual. For descriptions of these system components, refer to Section 2.

Acronym	Definition
BDA	Bi-Directional Amplifier
BTS	Base Transceiver Station
MR	Mikom Repeater

Table 1-1. Definitions

Section 2. System Description

2.1 Introduction

This section describes the basic functions and features of an MR Booster, including:

- System overview
- Theory of operation
- System components

2.2 System Overview

The MR Booster is a broadband, bi-directional amplifier (BDA) used to extend the coverage area in a wireless communications network. The booster is specifically designed to interface with the MIKOM MR series repeater. It can also be used with an existing repeater or a base transceiver station (BTS) that needs a downlink power boost.

Figure 2-1 illustrates a typical MR Booster application with a repeater, and Figure 2-2 illustrates a typical application with a BTS. The booster is connected directly to the coverage antenna port from the repeater or BTS and boosts the downlink signal power while maintaining dynamic range on the uplink. The booster performs several basic functions to enhance network coverage:

- The repeater or BTS downlink RF output is filtered, amplified and transmitted, via the mobile coverage antenna, using high efficiency RF power amplifiers.
- Uplink RF signals from handsets in the coverage area are received at the mobile antenna, amplified by an LNA, and passed directly to the repeater or BTS.
- Control and alarm monitoring is maintained by MR repeater software or through two relay contact outputs from the booster.
- Power supply and power amplifier soft-fail redundancies offer increased reliability.
- A separate uplink diversity path is available as an option.
- Downlink output VSWR monitoring is available as an option.

2. System Description

- The Booster is available in one of two output power options (medium and high) and four frequency ranges:

Band	Uplink	Downlink
AMPS800 full band	824-849 MHz	869-894 MHz
LMR8-00 full band	806-824 MHz	851-869 MHz
PCS1900 ADB band	1850-1885 MHz	1930-1965 MHz
PCS1900 extended EFC band	1875-1910 MHz	1955-1990 MHz

Table 2-1. Frequency chart

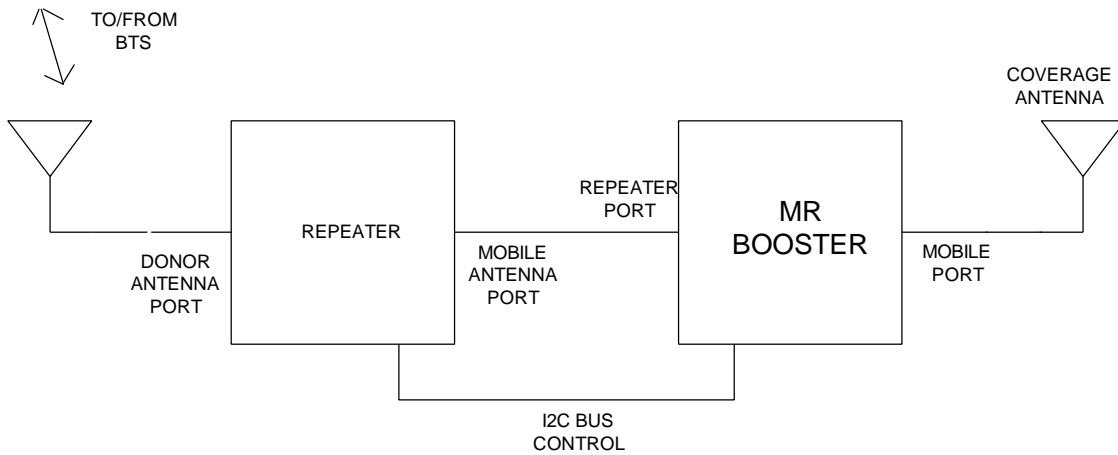


Figure 2-1. Typical MR Booster Application (Repeater)

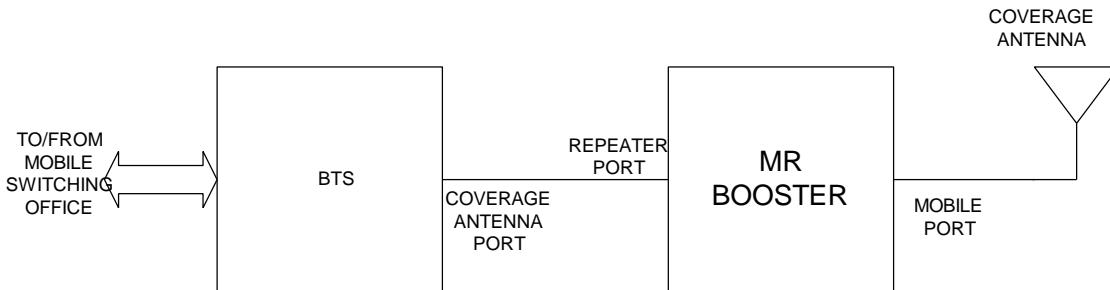


Figure 2-2. Typical MR Booster Application (BTS)

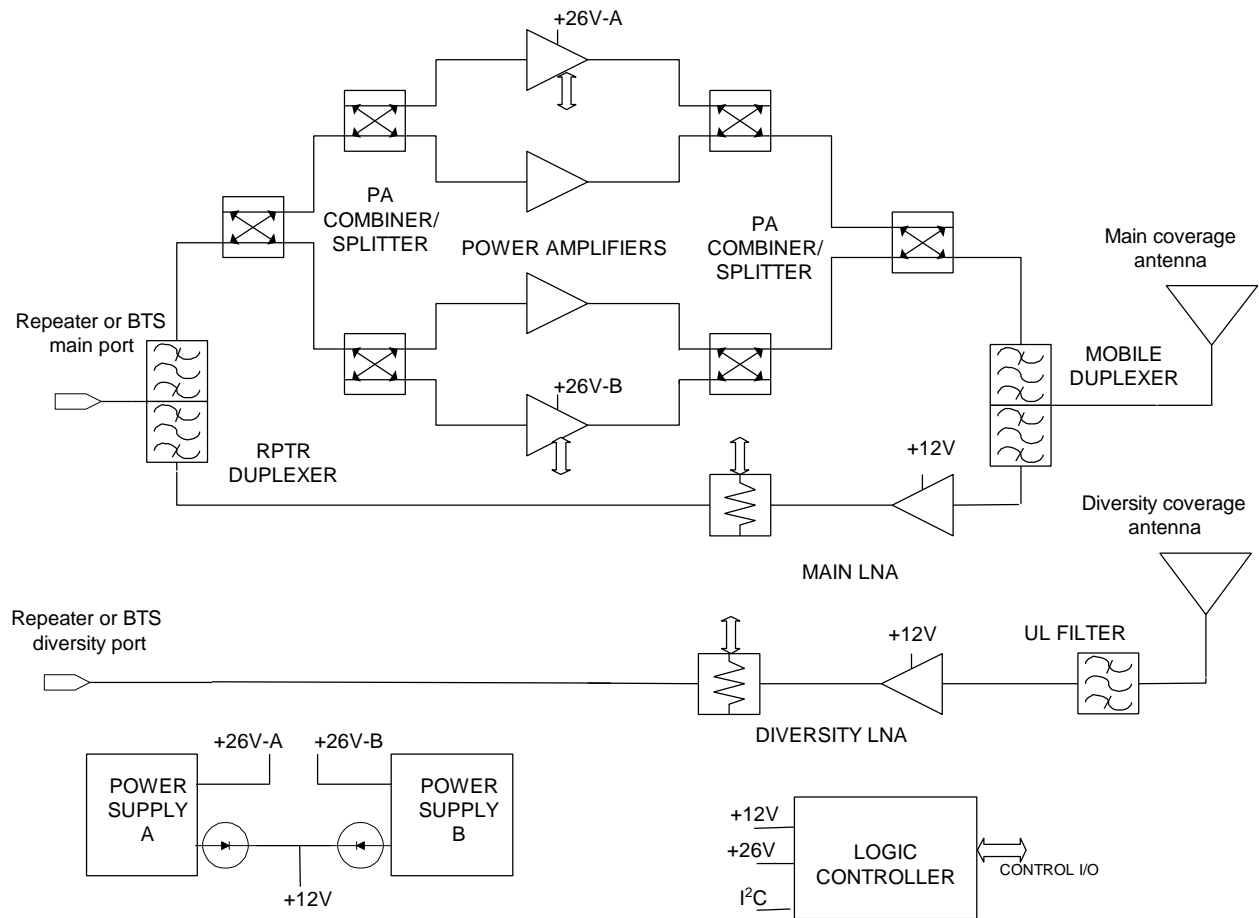


Figure 2-3. MR Booster functional block diagram

2.3 Theory of Operation

A block diagram of the basic high-power MR Booster system is shown in Figure 2-3. In order to simplify the discussion, a repeater-booster installation is assumed as in Figure 2-1.

2.3.1 Downlink path

Duplexed RF from the repeater’s coverage antenna port is connected to the booster downlink port. The repeater duplexer then routes the downlink signal frequencies to the PA combiner/splitter module.

2. System Description

The downlink signal frequencies are then routed to the PA combiner/splitter module by the repeater duplexer. In the high-power option, the RF is split into four separate paths by the hybrid combiner/splitter module and distributed to four RF PAs. In the medium-power option, the RF is split into two separate paths and distributed to two RF PAs.

NOTE: The multiple amplifiers provide soft-fail redundancy to maintain minimum output power capability should one or more fail in the field.

The PA outputs are summed in a second combiner/splitter, then routed to the mobile-side duplexer. The duplexer routes the downlink RF output to the coverage antenna, which transmits to handsets in the booster coverage area.

2.3.2 Uplink path

Mobile handset transmissions are received at the mobile duplexer port and routed to the LNA input by the mobile duplexer. The amplified LNA output is then routed to the repeater duplexer, which is connected to the installed repeater's coverage antenna port.

A diversity option offers a second, identical uplink path when diversity is in use in the donor BTS or repeater.

2.3.3 System control

Control functions include PA keying, fan control, and uplink attenuation setting. Monitored parameters include PA output power, status, system temperature, power supply temperature, DC output voltage and status, and input power source (ac or dc).

Resident software can be accessed via the supplied serial interface cable with a laptop computer and terminal-emulation software to initialize and customize the unit during installation or to perform troubleshooting.

The booster can be remotely controlled after installation with a Mikom MR series repeater via the I²C bus interface cable.

For other applications, or if remote control is not required, a pair of relay closure outputs from the booster can be user-configured and routed to the donor system to flag system problems after installation.

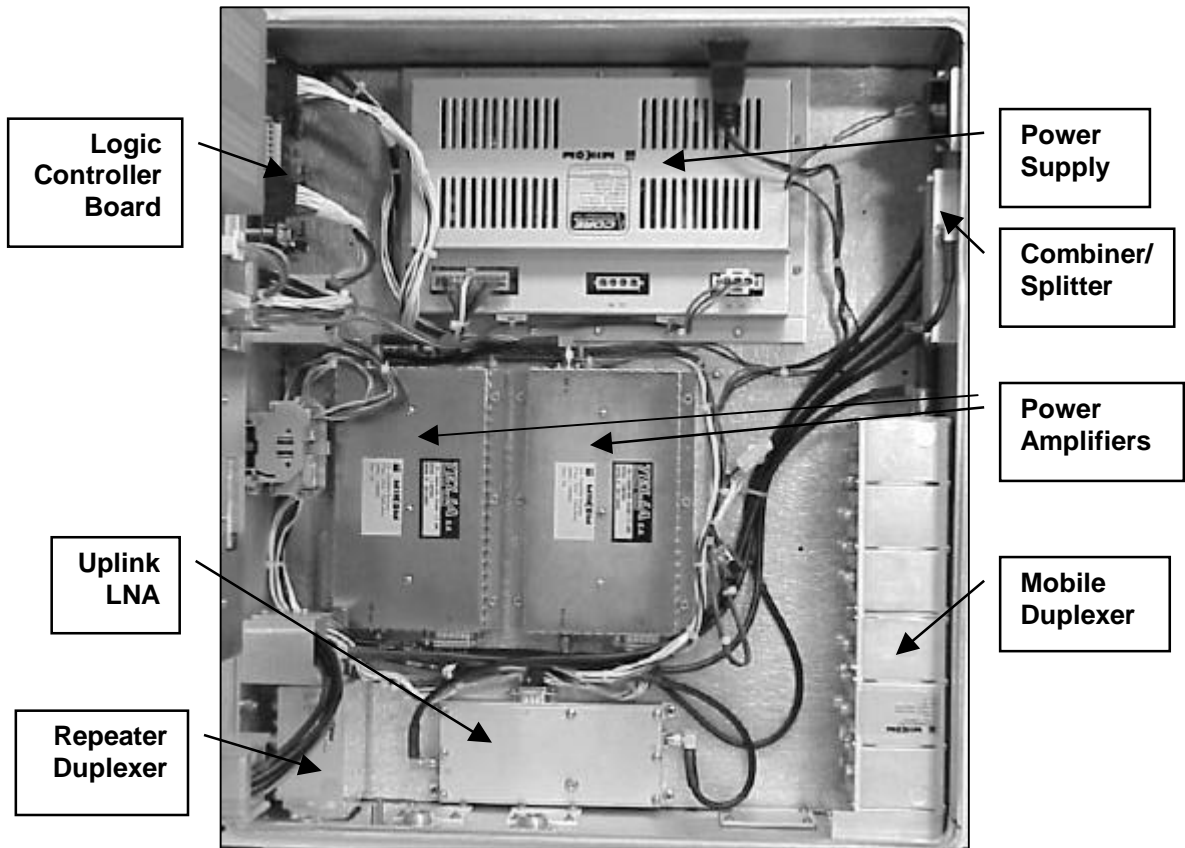


Figure 2-4. MR Booster (inside cabinet)

2. System Description

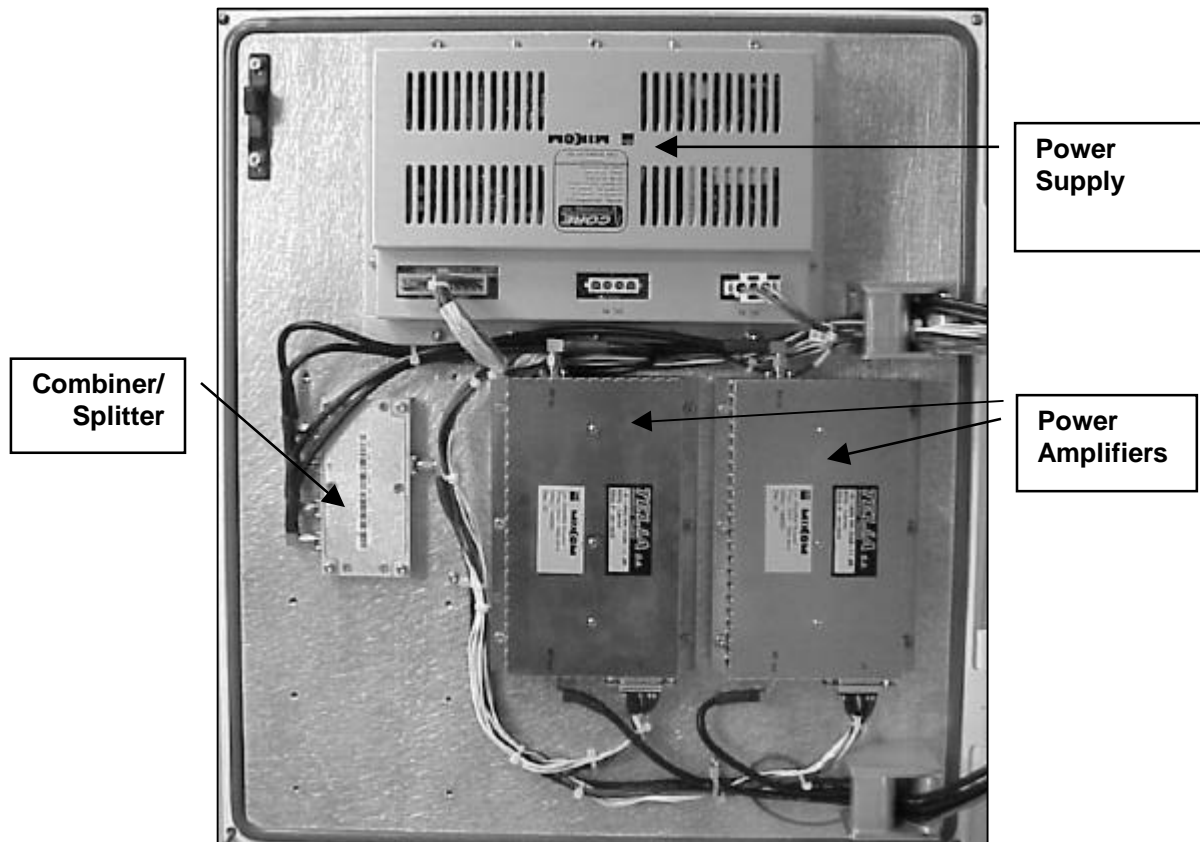


Figure 2-5. MR Booster (inside door)

2.4 System Components

2.4.1 Power Supply

The MR Booster provides two high-efficiency power supplies with 26 VDC and 12 VDC outputs (see Figures 2-4 and 2-5). The 26 V output is split evenly between the system PAs to provide soft-fail redundancy. The 12 V output is diode-connected at the controller and the LNAs, ensuring that both will function if a power supply fails. The power supply has thermal shutdown capability.

The AC supply input is auto-ranging to handle 115 and 220 volt, 50 or 60 Hz systems. During loss of AC mains, the booster will automatically switch over to the DC input for operation with a BBU.

2.4.2 Downlink Power Amplifier

The downlink power amplifiers (see Figure 2-4) provide low distortion amplification of downlink RF signals using proprietary feedforward correction techniques. After duplexer, splitter and combiner losses, the PAs provide 20 dB nominal gain for the booster in the downlink signal path.

The amplifiers are powered by the 26 VDC output of the power supplies. To provide maximum output power and soft-fail redundancy, the downlink power is shared between either four (high-power option) or two (medium-power option) PAs. Each PA provides output power and temperature status information to the system controller and provides both overcurrent and overtemperature protection circuitry.

2.4.3 Logic Controller Board

The logic controller board (see Figure 2-4) monitors and controls internal booster functions, and provides alarms to the donor system. The controller contains an I²C bus interface for remote control by a Mikom MR series repeater. The controller is powered by the 12 VDC supply.

System configuration information is retained in an on-board EEPROM. For installation or troubleshooting, the board-resident software can be accessed from an MR repeater, or from an on-site laptop computer. The controller can set:

- uplink gain
- PA key/unkey
- fan speed control (high/low/off)

2. System Description

The controller monitors the status of the following system components:

- PA power output
- PA temperature
- PA shutdown
- power supply temperature
- average 26 VDC and 12 VDC output voltages
- AC mains presence
- VSWR input (when installed)

The controller also routes the DC power to the VSWR module.

For general use, two alarm outputs are provided that can be user-configured during installation. The outputs are normally open relay contact pairs, which are closed when no alarm condition is present. These signals are provided on four of the seven pins of a terminal block on the controller board.

2.4.4 PA Combiner/Splitter Module

The PA combiner/splitter module (see Figure 2-4) splits the input signal, distributes it to the PAs and combines it after amplification. Identical hybrid design is used to ensure maximum amplitude and phase matching of the downlink signal.

2.4.5 Uplink Low Noise Amplifier

The LNA (see Figure 2-4) maintains dynamic range for uplink mobile signals. The LNA provides low noise figure and high input IP3 so the booster does not decrease sensitivity or increase distortion in the system.

The gain of the LNA chain after duplexer and cable losses is nominally 20 dB with the uplink attenuation set to 0 dB. Using the internal software, the gain can be reduced by increasing the attenuation in 1 dB steps up to 15 for optimal IP3, or where equal uplink and downlink booster gain is not necessary. The same LNA is used in the diversity option and the attenuation setting is ganged so each uplink path is set for equal gain.

2.4.6 Duplexers

The duplexers (see Figure 2-4) provide isolation between uplink and downlink paths, and band-limit the signals that are either passed to the donor hardware, or transmitted at the mobile antenna. The small repeater duplexer provides adequate UL/DL isolation. The mobile duplexer offers low insertion loss to maximize downlink output power and uplink noise figure. Forward and reverse directional coupler outputs are provided on the mobile duplexer. The coupler outputs are routed to the VSWR module when that option is installed.

2.4.7 RF Cables

The RF cables are a critical part of the MR Booster, particularly in the downlink function. Low loss provides maximum output power and cable propagation delays must be properly controlled so that the amplifiers are combined with low phase error.



CAUTION: Never substitute RF cables in the booster. Use only proper MIKOM part numbers.

2.4.8 Fan Assembly (High-power only)

Dual DC fans (not shown) maintain a low cabinet temperature in the high power option. The fans are sealed to withstand all weather conditions. The plenum and ducting structure of the booster is designed to move air over all heat fins, even if one fan fails. The fans can be disabled or operated at low speed for climates where over-heating will not be a problem. The logic controller provides the fan interface.

2.4.9 VSWR Module (Optional)

The VSWR module (not shown) monitors the downlink output VSWR. The customer is alerted to potentially damaging antenna mismatch. The module receives ± 12 VDC from the controller and coupled outputs from the mobile side duplexer. The coupled signals are processed the output VSWR is routed to the logic controller.

2. System Description

2.4.10 Downlink Driver Amplifier (Optional)

An ultra-linear driver amplifier (not shown) provides more downlink gain or boosts the linear output power. Contact technical support for availability and details.

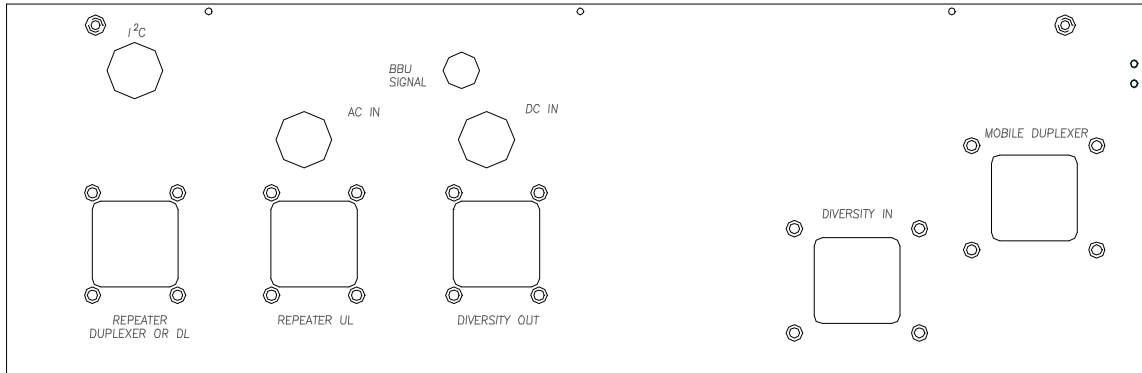


Figure 2-5. Input/output panel

2.4.11 Input/Output Panel

All system inputs and outputs are accessible from the bottom panel of the cabinet (see Figure 2-5). All RF connectors are 7-16 female bulkhead. All unused RF ports have gasketed plates covering the connector cutout.

Control, alarm, and power connections are made via multi-conductor cables routed through weatherproof glands. Unused glands are filled with removable plugs.

NOTE: The customer is responsible for ensuring a weatherproof seal on glands not set up in the factory.

Following are the descriptions of the available I/O connections:

- **Repeater Duplexer or DL (optionally repeater DL only):** Connected to the repeater's mobile coverage antenna port. It accepts downlink signals from the repeater and outputs the uplink RF to the repeater.

NOTE: If the MR Booster must interface with a *non-duplexed* system, this port can be used to route the downlink output from the repeater to the booster.

- **Repeater UL (optional):** This port is used only when the repeater has *non-duplexed* mobile input and output. The uplink output is then routed through this connector from the booster to the repeater.

- **Mobile Duplexer:** Connected to the repeater's coverage antenna.
- **Diversity In (optional):** The diversity coverage (mobile) antenna is connected to the diversity input port.
- **Diversity Out (optional):** The diversity output is routed to the repeater's uplink diversity path input port.
- **AC IN gland:** The AC input cable is passed through this gland and connected to the WAGO terminal block inside the cabinet.
- **DC IN gland:** If a DC input is used, the multi-conductor cable is passed through this gland and distributed to the DC input connector of the power supplies. Contact the factory for further details if using a customer-supplied BBU or DC source.
- **I²C gland:** The I²C control cable is routed through this gland and connected to the logic controller board inside the cabinet. The far end of the cable is connected to the MR series repeater control bus.
- **BBU signal gland:** This gland is provided to interface to a BBU alarm or sense output.

Section 3. Installation

3.1 Introduction

This section describes the procedures for installation of an MR Booster and system optimization. The Installation Checklist at the end of this section provides a concise summary of the installation steps. Section 4 will provide initial software instructions.

3.2 Site Selection

The site chosen for the MR Booster must meet requirements related to location, power, space, mounting surface, environment, and antenna isolation.

3.2.1 Equipment Inventory

The following table lists items shipped with the MR Booster. Use a separate table for each booster installed.

MR Booster	
Site:	Installer:
<input type="checkbox"/> MR Booster	Serial #:
Tuck Pack:	<u>Serial-Part #:</u>
<input type="checkbox"/> Manual	MN001808-1
<input type="checkbox"/> 6mm T-handle wrench	G71A0031-2
<input type="checkbox"/> 4mm T-handle wrench	G71A0031-3
<input type="checkbox"/> 3mm T-handle wrench	G71A0031-1
<input type="checkbox"/> I ² C bus cable	G15A0309-1
<input type="checkbox"/> Serial cable	G15A0327-1
<input type="checkbox"/> Drilling template	G27AT000-1
<input type="checkbox"/> Keys for security cover	??N/A

Table 3-1. Equipment List

3.2.2 Installation Tools and Equipment

You will need the following tools and equipment for installation of the MR Booster:

Factory supplied:

- 6mm T-handle wrench to mount cabinet to bracket
- 4mm T-handle wrench to open/close cabinet door
- DB-9 to DB-9 serial control cable
- I²C bus cable (if applicable)

Customer supplied:

- M8 carriage bolts, flat washers, split lock washers, and drivers to bolt the mounting bracket to a wall or pole
- Laptop computer with serial port and terminal emulation software (e.g., ProComm)
- Coaxial RF cables terminated with a 7-16 male connector
 - ✓ for donor port
 - ✓ for repeater port or RX port (if applicable)
 - ✓ for diversity input (if applicable)
 - ✓ for diversity output (if applicable)
 - ✓ for TX port (if applicable)
- >30 dB, 60 W attenuator
- RF power meter with 20 dBm power-handling capability
- Miscellaneous RF test cables and adapters

3.2.3 Site Requirements

Space: The MR Booster dimensions are 742 mm (H) x 466 mm (W) x 287 mm (D) (*29.2 x 18.3 x 11.3 inches*) with fans, 535 mm (H) (*21.1 inches*) without fans. Allow a minimum of 500 mm in front of the booster for door clearance, 30 mm below for cable access, and 150 mm on either side for access to mounting hardware.

Mounting surface: The cabinet should be mounted to a vertical surface with a load-bearing capacity of at least 55 kg. It may be mounted to a wall or a pole.

Environment: The MR Booster is in a weatherproof cabinet that can be operated at ambient temperatures between -30°C to +55°C.

Power: The cabinet requires 90-264 VAC, 50-60 Hz at 600 Watts maximum, or 21-28 VDC, 20 Amps maximum (when equipped for DC operation).

Antenna isolation: When the MR Booster is used with a repeater, the isolation between the donor and mobile antennas must be at least 15 dB greater than the composite system gain of the repeater *plus* booster for optimum performance.

3.3 Installation

3.3.1 Mechanical

Use the supplied template, shown in Figure 3-1, to drill holes to mount the MR Booster mounting bracket. Install the mounting bracket with two M8 carriage bolts for pole mounting, and four M8 carriage bolts for surface mounting. Use a flat washer and split lock washer under the head of each bolt.



WARNING! The MR Booster may weigh up to 51 kg (112.4 lbs), depending on options; use two people to lift the booster onto the mounting bracket.

Lift the repeater up and set the top M10 screws into the recesses provided in the top of the mounting bracket. Align the holes in the cabinet with the holes in the mounting bracket, then install and tighten the four M8 socket-head cap screws using the supplied 6mm T-handle wrench.

To access the inside of the cabinet (see Figure 3-2), use the supplied 4mm T-handle wrench to unscrew the four M5 socket-head cap screws that secure the door to the main cabinet.

3. Installation

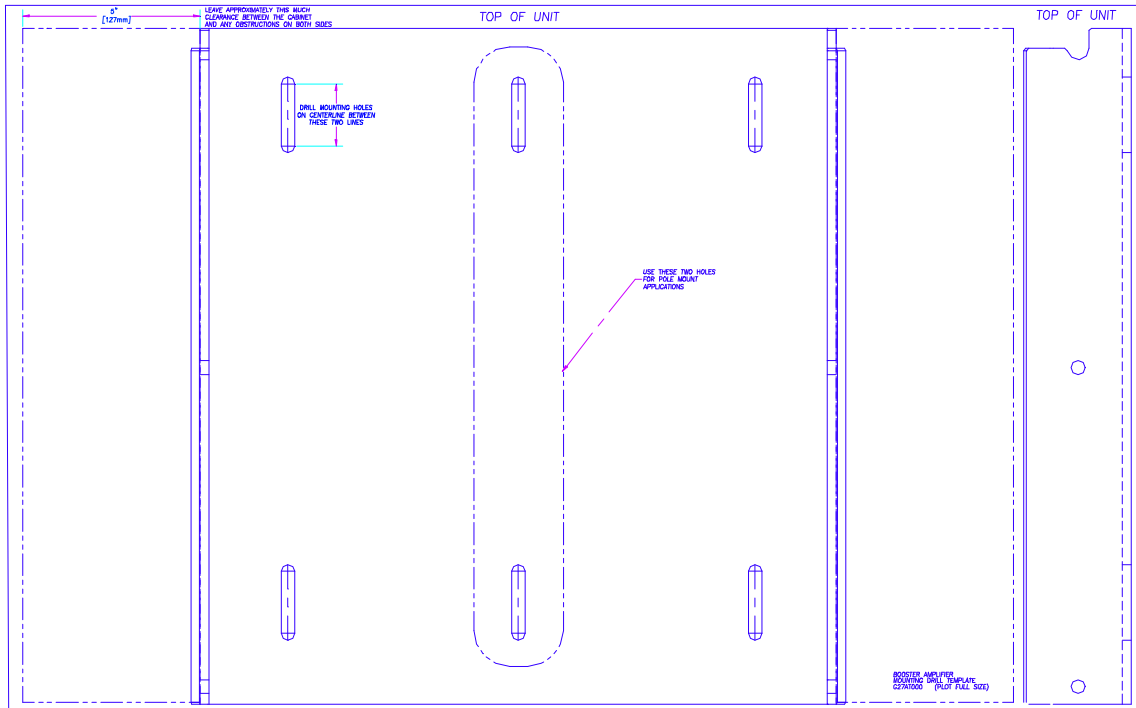


Figure 3-1. Drilling template (not to scale)

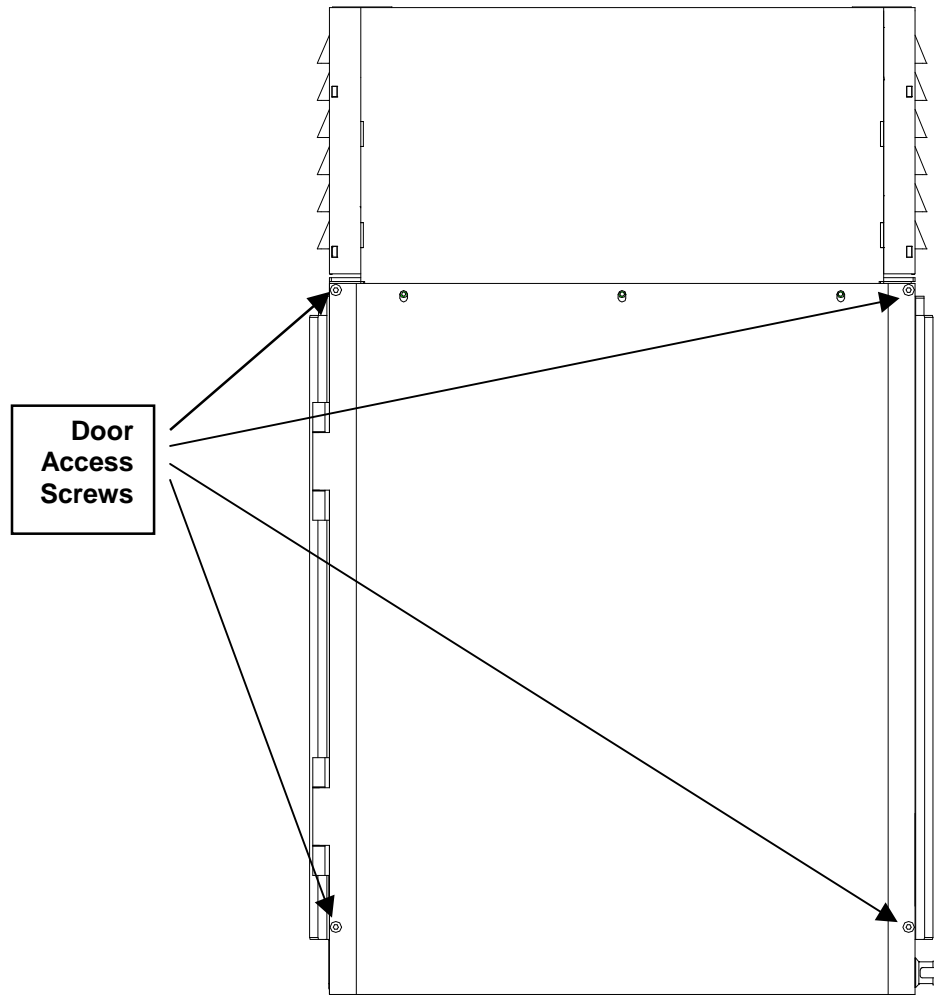


Figure 3-2. Door access screws

3. Installation

3.3.2 Electrical Connections

AC: The unit is shipped with the internal AC connections already made. The cable extends 10 feet outside the cabinet to allow termination to a junction box or other connection to the AC mains. Since the power supply inputs are autoranging, no special accommodations are required to connect to standard voltage and frequency.

The wires are attached to a WAGO connector inside the cabinet as follows:

Wire Color	WAGO Color
Brown (hot)	Gray
Blue (neutral)	Blue
Green/Yellow (ground)	Screwed to ground lug

Table 3-2. Wire Chart

DC: Please consult MIKOM at 1 (800) 800-3224 for applications with a customer-owned DC power source or battery-backup unit.

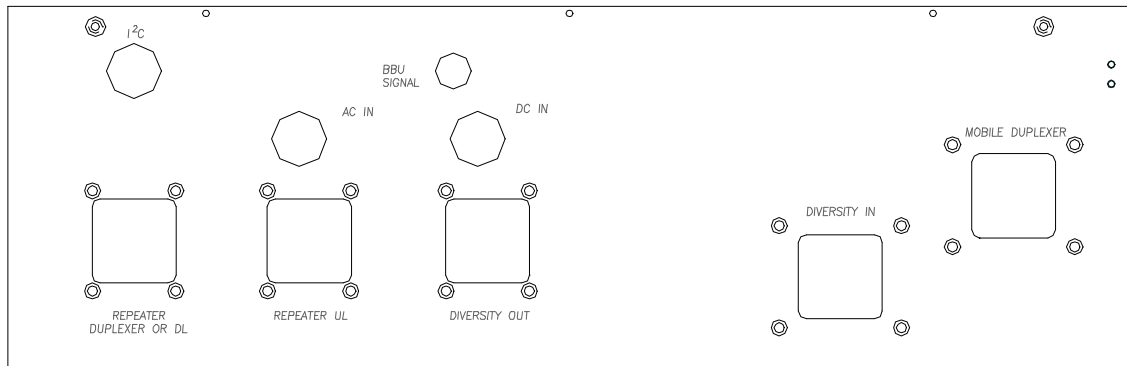


Figure 3-3. I/O connections

3.3.3 RF Connections

RF cables to the MR Booster must be terminated with a 7-16 male RF connector. A low-loss, 50 ohm cable with superior shielding is recommended for all RF connections. See Section 2.4.11 for I/O options.

Minimum configuration (see Figure 3-3) consists of two cables:

- From the duplexed port of the donor repeater to the **Repeater Duplexer** connector on the booster.
- From the **Mobile Duplexer** port of the booster to the coverage antenna.

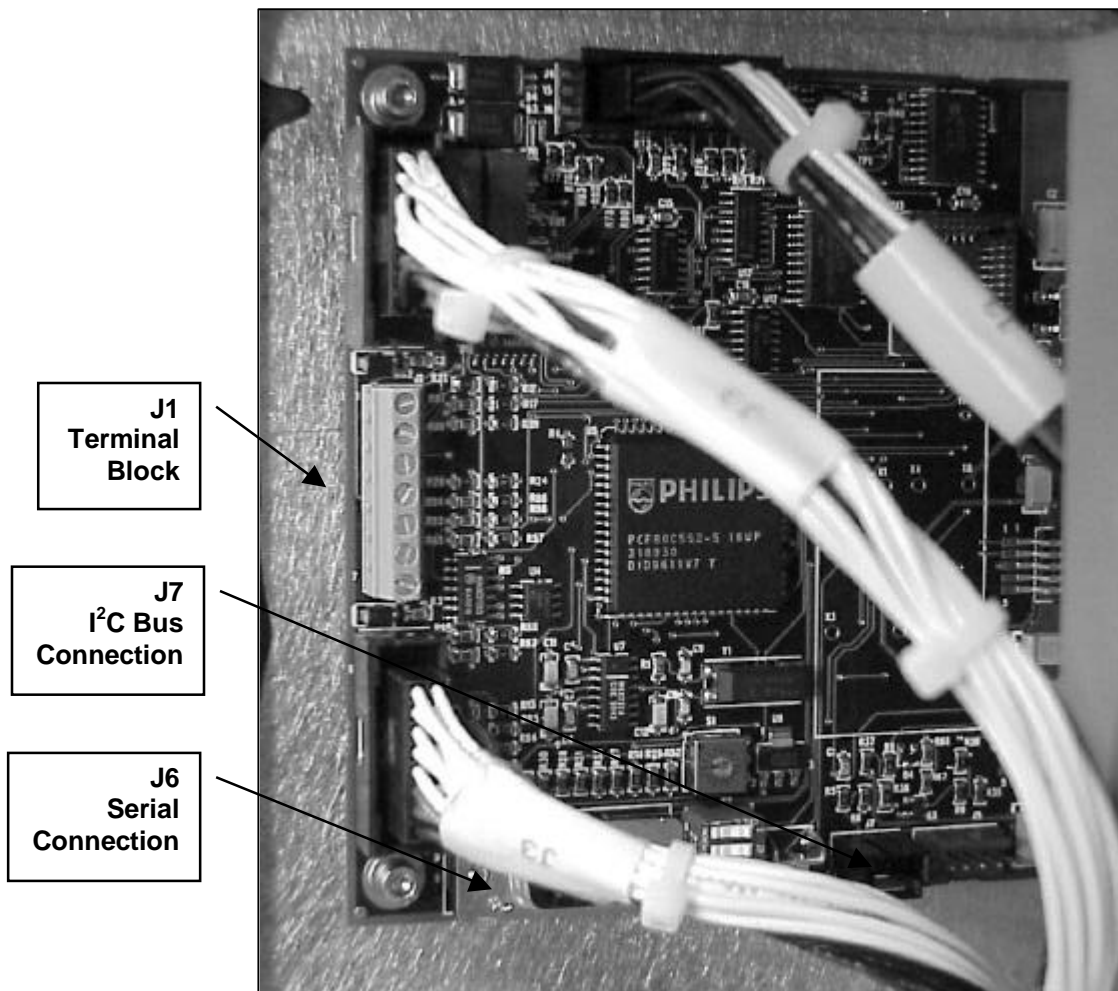


Figure 3-4. Logic Controller Board

3.3.4 Logic Controller Board

Several connections are made through the I/O panel on the bottom of the repeater. Figure 3-5 shows the position of applicable connectors.

I²C bus: To enable control functions, such as alarms, from a Mikom repeater, connect the supplied I²C cable connector to J7 on the logic controller board. Pass the cable through the I²C gland on the I/O panel. The cable can then be routed to the MR Repeater's I²C connector.

Serial control: Connect the female DB-9 end of the supplied serial cable to J6 on the logic controller board. Route the cable through the door of the booster and close it (the door seal will prevent the cable from being crushed). Connect the male end of the serial cable to serial port 1 of the laptop computer. After initialization or troubleshooting has been completed, this cable can be removed.

Alarm outputs: The alarm output wires are available from terminal block J1 on the logic controller board. A multiple-conductor cable must be passed through the I²C gland. The alarm function is defined through software in the initialization process. Pin out is as follows:

Pin	Function
1	Alarm 1
2	Alarm 1 return
3	Alarm 2
4	Alarm 2 return
5	External digital alarm input (optional) 0-5 V TTL level input
6	Ground reference
7	External analog alarm input (optional) 0-30 V analog alarm input

Table 3-3. Alarm pin out



WARNING! Inspect the unit after cabling to ensure that unused connector holes have plates and gaskets applied, and that unused glands have stops inserted. All connections should be completed and weatherproofing ensured before AC mains or DC power is applied.

3. Installation

3.4 Installation Checklist

The following checklist provides a summary of the procedures for installing an MR Booster system.

Step	Item/ Action	Description	Check
1	MR Booster Site Drawing	<i>Master copy of the site plan noting the MR Booster location and serial number.</i>	
2	Equipment List:		
	MR Booster		
	AC or DC power source		
	Uplink source		
	Downlink source		
3	Installation tools:		
	M8 carriage bolts	<i>To install mounting bracket</i>	
	6mm and 4mm drivers	<i>To mount cabinet to bracket, open door</i>	
	Serial control cable	<i>To connect terminal to booster</i>	
	terminal	<i>To initialize booster</i>	
	I ² C bus cable (if applicable)		
	Coaxial cables		
	>30 dB, 60 W attenuator		
	RF power meter		
	Miscellaneous RF test cables		
4	Run cable to site	<i>Power, uplink, downlink, I²C (if applicable)</i>	
5	Mount the equipment	<i>See Section 3.3.</i>	
6	Attach cables	<i>Power, uplink, downlink, I²C (if applicable), alarm outputs (if applicable)</i>	
7	Connect terminal to J6 on the logic controller board	<i>For initialization.</i>	
8	Power up booster		
9	Initialize booster	<i>See Section 4, Setting Up for Initial Operation</i>	
10	Close cabinet and screw shut		
11	Optimize system	<i>See Section 3.5, System Optimization</i>	

Table 3-4. Installation checklist

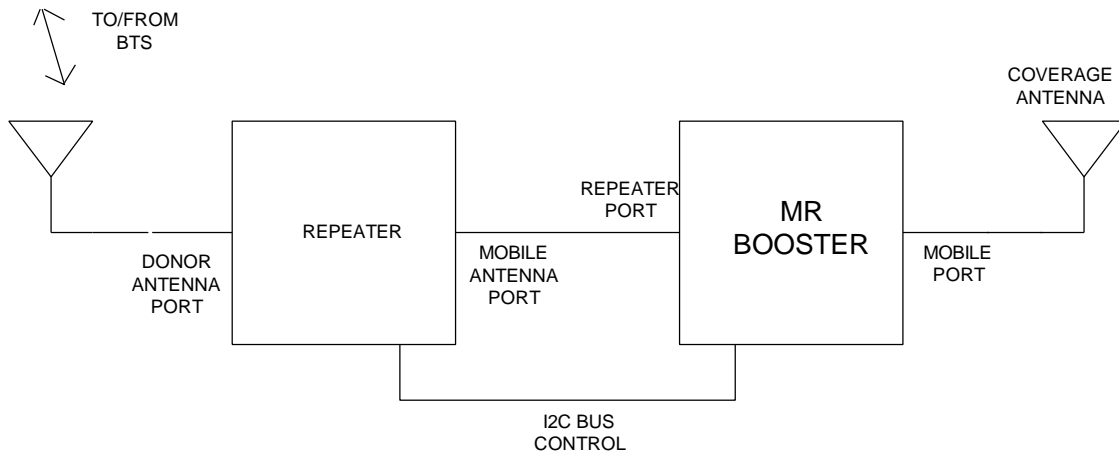


Figure 3-5. Typical MR Booster Application (Repeater)

3.5 System Optimization

Refer to Figure 3-5 for an example of an application in which the MR Booster is used to boost a repeater. For additional information regarding system optimization, please contact Mikom technical support at 1 (800) 800-3224.

3.5.1 Downlink Gain Setting

The downlink gain is generally determined by the output power that provides coverage of the hole that the MR Booster is filling. This power should not exceed the specifications in Section 6 for differing technologies and number of carriers. The gain of the repeater must be adjusted via the operational software so that the desired output power equals the system gain (repeater plus booster) plus the input power received from the BTS.

The input power can be determined from the downlink RSSI reading of the repeater for each applicable RF channel. For greatest accuracy, the factory test data sheet enclosed with the MR Booster can be used to determine the booster gain near each channel of interest.

3.5.2 Downlink Power Measurement

To ensure that the proper output power is reached, measure the composite power coming out of the mobile duplexer port. Use a power meter capable of handling 100 mW with a 30 dB, 60 W power attenuator on the mobile connector for an accurate measurement without damage. The composite power measured by the meter, after calibrating out the loss of the attenuator, should be approximately equal to the desired power per carrier plus $10\log N$, where N is the number of carriers.

3.5.3 Uplink Gain Setting

In most cases, the repeater gain is adjusted to make the uplink gain equal to the downlink gain to maintain a balanced link. Adjust the repeater gain, leave the MR Booster LNA gain set to maximum, and the overall system noise figure is minimized.

In cases where unusually strong in-band interferers are present, it may be necessary to decrease the LNA gain in order to increase the overall system input intercept point. The amount of attenuation added depends on the required system intercept point, —the maximum allowable system noise figure and the dynamic range of the repeater.

Section 4. Setting Up for Initial Operation

4.1 Introduction

All MR Booster operating parameters are under software control and can be changed from a terminal connected via serial link to the booster. The booster has default settings for optional parameters. These parameters may need to be adjusted for proper operation in your network.

This section describes procedures for:

- Connecting the terminal
- Becoming familiar with system commands
- Programming initial parameters

The checklist in Table 4-1 presents a brief overview of these procedures. For descriptions of all operating parameters, see Appendix A, Control Software. If problems occur during setup, refer to Section 5, Troubleshooting.

4. Setting Up for Initial Operation

Setup Checklist

- ? 1. Terminal connected:
 - ? a. Terminal powered up and set to 9600-N-8-1, full duplex, send carriage return only, **no** CTS/RTS, **no** XON/XOFF.
 - ? b. MR Booster repeater powered up.
- ? 2. System status (SSS) and alarm (ALA) report checked; no *DISABLED* and no alarms shown.
- ? 3. System parameters programmed:
 - ? a. **Gain**
 - ? b. PA settings reviewed.
 - ? c. Alarm settings reviewed.
 - ? d. Alarm report reset (**ALA=0**, press **Enter**).
- ? 4. RF performance checked.

Table 4-1. Setup Checklist

4.2 Connecting a Terminal

The MR Booster can communicate with a PC running a terminal-emulation program such as ProComm, or a conventional ASCII, RS-232 terminal.

1. Using the supplied serial cable, connect the PC COM PORT to J-1 on the controller board (see Figure 3-4 on Page 22).
2. Power up the terminal and set it to the following parameters:
 - 9600 baud
 - Non parity
 - 8 data bits, 1 stop bit
 - Full duplex (no local echo)
 - Send carriage return only
 - Disable AUTO XON/XOFF

NOTE: Some terminal emulation programs generate extraneous characters that may cause interference when communicating with the booster.

3. Power up the MR Booster. After about two seconds, the terminal should respond with a welcome message.
 - If the response is garbled, check the terminal setup.
 - If there is no response, turn the booster OFF, then ON again. If there is still no response, turn the unit OFF. Recheck the power hookup and the terminal hookup and configuration.

4.3 Basic Commands

Following are basic rules and key commands for use with the MR Booster operating software.

Symbol	Definition
>	Command Prompt. The system uses this prompt character to indicate it is ready to accept commands.
<CTRL>	Control Key. Used in combination with other keys.
<ESC>	Escape Key. Escape is a single key marked ESC on most keyboards.

Table 4-2. Command Definitions

4.3.1 Syntax

System commands consist of three letters followed by a maximum of three data fields, as follows:

COM [FIELD 1 -] [FIELD 2 =] [FIELD 3] Enter

- **COM:** Three-letter command.
- **FIELD 1:** Up to four hex characters followed by a dash (-).
- **FIELD 2:** Up to four hex characters followed by an equal (=) sign.
- **FIELD 3:** Up to two hex characters.
- **Enter:** Press the Enter key after each command.

NOTE: Few commands require entry of data fields. After a command has been entered, the system will prompt for data it needs. The system will ignore unneeded data fields.

4. Setting Up for Initial Operation

4.3.2 Entering Commands

When entering commands:

- After the three-letter command has been entered, spaces may be added to separate the fields.
- Leading zeros may be omitted.
- Use DELETE or BACKSPACE to correct mistakes.
- Press **Enter** at the end of each command.

4.3.3 Commonly Used Commands

Table 4-3 lists the most commonly used commands. The most complex command is SET. This command is structured to ensure that parameter entry can be done easily and accurately. The other commands, which are much simpler, require little or no subsequent data input. Their actions are completed in a matter of seconds.

NOTE: To become familiar with these commands, try each command (except SET) and observe the system's response.



CAUTION: RES will momentarily interrupt any calls currently being boosted. Otherwise, the system commands do not interfere with calls being boosted.

Command	Meaning	Purpose
HEL	Help	Lists the syntax and function of the primary commands.
HEL A	Help All	Lists the syntax and function of all commands.
SET	Set up	Prompts a menu-driven entry mode used to inspect or change all MR Booster operating parameters. <i>(To exit this command, press <CTRL> X and answer N, press Enter.)</i>
SSS	Show System Status	Lists current repeater parameter settings and conditions of monitored input parameters.
ALA	Alarm report	Reports on number of alarm conditions since last system reset.
RES	Reset	Resets the booster. Parameters in effect when the command is issued will be saved.
PWR	Power display	Repeatedly lists power readings on the PAs. <i>(To exit this command, press <ESC> or <CTRL> Z.)</i>

Table 4-3. System Commands

4.3.4 Escaping From Continuous Cycles

Some commands, such as RSS, enter a mode in which the program does something continuously. To get out of this mode and return to the command prompt, press <ESC> or <CTRL> Z.

4.3.5 Ending a Session

The RES command preserves extensive parameter changes made during a session. It ensures that all parameter changes take effect, since all hardware is initialized after a reset. Also, all alarms conditions counter to 0.

4. Setting Up for Initial Operation

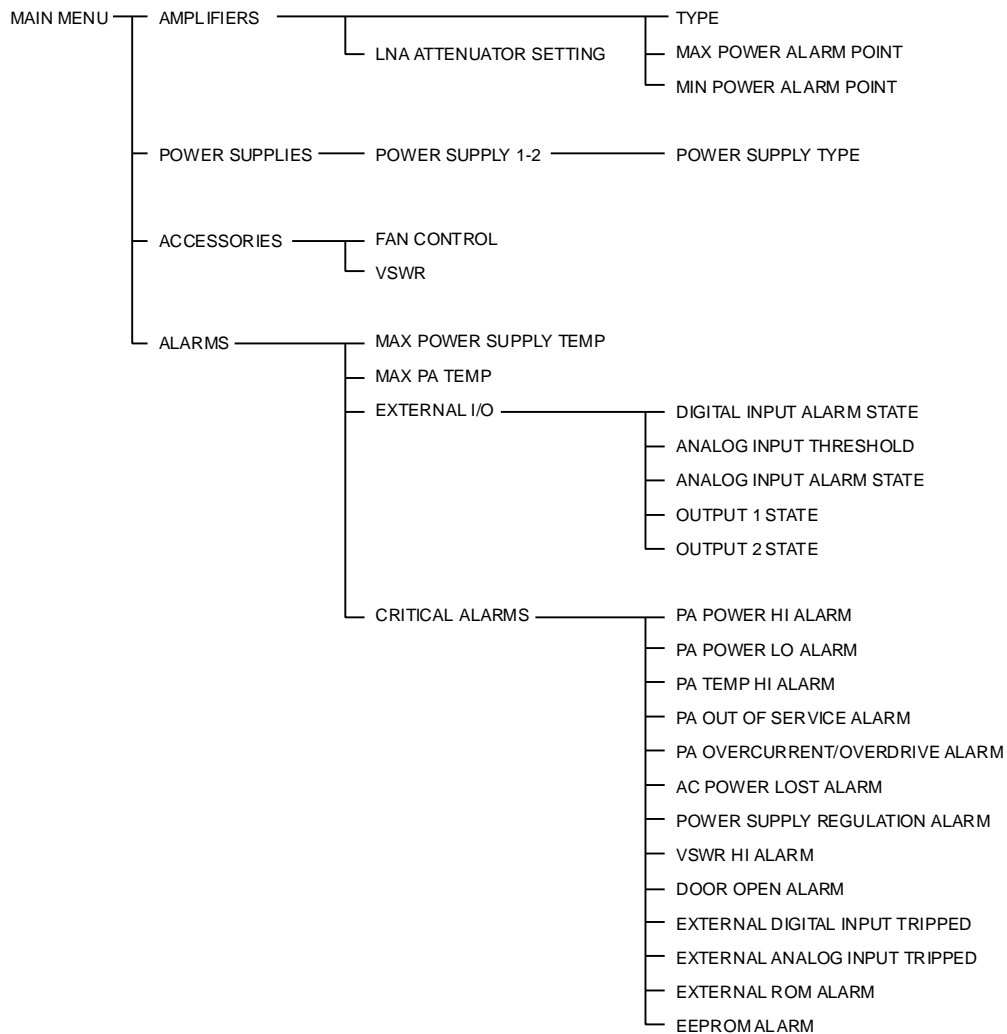


Figure 4-1. SET Command Menu Map

4.4 Using SET Menus

Use the local terminal to configure the MR Booster. From the command prompt (>), the SET command launches the setup utility, which displays a progression of menus. The menus provide a guided path to each booster parameter. The menu map in Figure 4-1 illustrates the SET menu paths. For descriptions of all SET menus and commands, see Appendix A, Control Software.

4.4.1 Moving Forward

After each command has been entered, a menu is displayed, with a character in front of each item. To select an item, type the character and press **Enter**. The next menu (or the parameter to be changed) will be displayed.

4.4.2 Moving Backward

To move backward along a path, type **X** and press **Enter**. This indicates a "Done with this menu" selection. The previous menu will be displayed. Continue to back out to the main SET menu.

4.4.3 Exiting

To exit SET, press <CTRL> **X** at any menu level. Or, type **X** and press **Enter** while at the main menu level.

4.5 Setting Initial Parameters

The MR Booster is shipped with the filters set to default center frequencies. Before operating the unit, set initial parameters. This includes:

- Checking system status.
- Configuring the system for narrowband or wideband (channel number, band offset, and gain).
- Reviewing and recording power amplifier and alarm settings.

Setting these parameters is the minimum required to provide performance. All parameters can be changed to fine-tune the system as more information is gathered about system performance.

4.5.1 Checking System Status

Check the system status to be sure parameters were properly set after factory testing.

1. At the > prompt, type **SSS**, press **Enter**. (*The current state of various parameters is displayed.*)
2. At the > prompt, type **ALA** **Enter**. (*The number of alarm conditions since last reset is displayed.*)

No alarms should be listed. If there are any Out-of-Service or memory alarms, refer to Section 5, Troubleshooting.

4.5.2 Setting PA Parameters

From the Main Menu, type **B**, press **Enter** to display the Power Amplifiers Menu.

4. Setting Up for Initial Operation

Power Amplifiers Menu

A	Downlink PA Power High Alarm Point.....	+ 33 <u>43</u> dBm
B	Downlink PA Power Low Alarm Point	+20 dBm

Use the following guidelines and recommendations to set the power amplifier parameters. These settings should provide serviceable operation. Refer to Section 3.5, System Optimization, to fine-tune and optimize the settings.

Downlink PA Power High Alarm Point: Set to +~~33~~43 dBm to trigger an alarm at that setting.

Downlink PA Power Low Alarm Point: Must be set ~~to 6 dB~~ below the Forward Maximum Wideband Power. Once initial operation is established, use the SSS command (see Appendix A, SSS Command) to examine the downlink PA power output under normal operating conditions. Adjust the downlink PA Power Low Alarm Point to a few dB below the normal operating power.

Section 5. Troubleshooting

5.1 Introduction

This section describes methods for locating and resolving problems in an MR Booster. Instructions are given for replacing some of the major modules in the system; however, it is recommended that Mikom technical support personnel perform all MR Booster maintenance. Please call 1 (800) 800-3224 for assistance.

5.2 System Status Indicators

The MR Booster has visual indicators on the logic controller and the power supplies that are the first indicators of basic system functionality. All other troubleshooting tools are contained within the user software.

5.2.1 Logic Controller LED Indicators

A green and a red LED on the logic controller board indicate the following conditions:

Green LED	Red LED	Operational State
Pulsing	OFF	Normal state, no alarms.
OFF	ON	Indicates power applied, but operational software is not running properly.
OFF	OFF	No +12 VDC

Table 5-1. Logic controller status indicators

5. Troubleshooting

5.2.2 Power Supply LED Indicators

Each power supply has two green LEDs, which indicate:

AC GOOD	DC GOOD	<u>BDASTATUS</u>
ON	OFF	AC input present; DC output not functioning properly.
ON	ON	AC input present; DC +26 V/+12 V outputs OK.
OFF	OFF	AC power not present; DC source not present or out of proper voltage range.
OFF	ON	AC power not present; DC input present and +26 V/12 V outputs OK.

Table 5-2. Logic controller status indicators

5.2.3 Logic Controller Software Alarms and Monitoring Parameters

The SSS command, which displays the general status of the booster modules, and the SET command, which is used to monitor or set operating parameters, can be used to find component failures. See Section 4 and Appendix A for a detailed description of the software. Please contact Technical Support at 1 (800) 800-3224 for assistance in troubleshooting system problems.

5.3 Removing and Replacing Failed Parts

It is recommended that only higher failure rate and easily accessible items be removed from the booster cabinet. The supplied 3mm T-handle wrench may be used to remove and/or replace a power supply or power amplifier.



WARNING! It is recommended that trained Mikom technicians provide service for the MR Booster. Always remove both AC and DC system power before servicing.

Other hardware can be removed from the booster with either standard-size metric Allen keys or Phillips screwdrivers.

Section 6. Specifications

6.1 Specifications

This section provides mechanical and electrical specifications for the MR Booster.

Mechanical Specifications	
Dimensions	742 mm (H) x 466 mm (W) x 287 mm (D), with fans <i>(29.2 in x 18.3 in x 11.3 in)</i> 535 mm (H) x 466 mm (W) x 287 mm (D), without fans <i>(21.1 in x 18.3 in x 11.3 in)</i>
Weight (approximate, fully populated)	51 kg (<i>112 lbs</i>), 4 PAs, with fans 45 kg, (<i>99 lbs</i>) 2 PAs without fans
Operating temperature	-30°C to +55°C
Alarm outputs (user configurable – available through I ² C/alarm gland)	<u>Alarm 1</u> : Closed relay contact indicates alarm state <u>Alarm 2</u> : Closed relay contact pair indicates system alarm state
RF I/O (7-16 female connectors)	Repeater UL/DL Mobile Antenna UL diversity input (optional) UL diversity output (optional) Repeater DL only (optional)
Other I/O (4 weatherproof glands)	AC input DC input BBU alarm I ² C/alarm

Table 6-1. Mechanical specifications

6. Specifications

Electrical Specifications							
Power requirements	90-265 Vac, 50-60 Hz: 600 W max (fully loaded) Automatic switchover to BBU with loss of AC mains 21-26 Vdc, 20 A max (fully loaded)						
Frequency bands (uplink/downlink)	<u>AMPS800 full band:</u> 824-849/869-894 MHz <u>LMR8-00 full band:</u> 806-824/851-869 MHz <u>PCS1900 ADB band:</u> 1850-1885/1930-1965 MHz <u>PCS1900 extended EFC band:</u> 1875-1910/1955-1990 MHz						
Downlink gain	20 dB nominal, 19 dB minimum at upper band edge						
Downlink gain variation	±1 dB over any frequency band at 25°C ±2 dB over -30°C to +55°C ambient						
Uplink attenuation setting (main and diversity)	0 dB to 15 dB from maximum gain in monotonic 1 dB steps						
Uplink gain variation	±1 dB over any frequency band at 25°C ±2 dB over -30°C to +55°C ambient						
Uplink noise figure (main and diversity)	3 dB typical at 0 dB attenuation						
Uplink input IP₃ (main and diversity)	10 dBm typical						
Downlink output power per communication format (typical performance at 25°C)	# of carriers	GSM1900, analog: med/high pwr		TDMA: med/high pwr		CDMA, iDEN: med/high pwr	
	1	42.5*	45.0*	42.5	45.0	39.5	42.0
	2	39.5	42.0	36.5	39.0	33.5	36.0
	4	35.5	38.0	32.5	35.0	30.5	33.0
	8	31.5	34.0	29.5	32.0	27.5	30.0

Table 6-2. Electrical specifications

* Limited by maximum PA current.

Electrical Specifications (Continued)	
Control modes	<p><u>Stand-alone serial mode:</u> Uplink gain, booster control, and monitor signals passed via DB-9 connector on controller PCB (pre-operational), alarms outputs available via I²C/alarm gland (operational).</p> <p><u>Repeater control:</u> All booster control and monitor functions maintained through MR-701/801 repeater software with communication via I²C bus.</p> <p><u>Stand-alone manual mode:</u> Uplink gain set via switch on controller PCB, alarms outputs available via I²C/alarm gland.</p>
Control parameters	<p>PA 1-4 shutdown Fan 1, 2 speed control (high, low, off) Uplink LNA attenuation setting (0-15 dB)</p>
Monitor parameters	<p>PA 1-4 output power PA 1-4 temperature Power supply 1, 2 temperature Power supply average DC output voltages (+26 V, +12 V)</p>
Module alarms	<p>PA 1-4 shutdown ac mains 1, 2 power absent</p>

Table 6-2. Electrical specifications (Continued)

MR Booster Manual

Appendices

Order No. MN001808-1

Issue 7/99

**© Copyright 1999 Mikom
All Rights Reserved**

MIKOM

An Allen Telecom Company

Contents

Page

Appendix A: Control Software

A.1 Introduction

Extensive monitoring software included with the MR Booster allows the installer or service provider to control and monitor the system's performance.

This section includes a description of the terminal interface to the booster, which is used to set parameters, monitor system status, and report and diagnose problems. It includes procedures for entering commands and setting parameters and provides information on interpreting the results.

For instructions on installing the MR Booster, setting initial parameters, and making adjustments to achieve optimum performance, refer to Section 3, Installation, and Section 4, Setting Up for Initial Operation.

A.2 Connecting a Terminal

The MR Booster can communicate with a PC running a terminal-emulation program such as ProComm, or a conventional ASCII, RS-232 terminal.

1. Using the supplied serial cable, connect the PC COM PORT to J-1 on the controller board (see Figure X-X).
2. Power up the terminal and set it to the following parameters:
 - 9600 baud
 - Non parity
 - 8 data bits, 1 stop bit
 - Full duplex (no local echo)
 - Send carriage return only
 - Disable AUTO XON/XOFF

NOTE: Some terminal emulation programs generate extraneous characters that may cause interference when communicating with the booster.

A. Software Control

3. Power up the MR Booster. After about two seconds, the terminal should respond with a welcome message.
 - If the response is garbled, check the terminal setup.
 - If there is no response, turn the booster OFF, then ON again. If there is still no response, turn the unit OFF. Recheck the power hookup and the terminal hookup and configuration.

A.3 Basic Commands

Following are basic rules and key commands for use with the MR Booster operating software.

Symbol	Definition
>	Command Prompt. The system uses this prompt character to indicate it is ready to accept commands.
<CTRL>	Control Key. Used in combination with other keys.
<ESC>	Escape Key. Escape is a single key marked ESC on most keyboards.

Table A-1. Command Definitions

A.3.1 Syntax

System commands consist of three letters followed by a maximum of three data fields, as follows:

COM [FIELD 1 -] [FIELD 2 =] [FIELD 3] Enter

- **COM:** Three-letter command.
- **FIELD 1:** Up to four hex characters followed by a dash (-).
- **FIELD 2:** Up to four hex characters followed by an equal (=) sign.
- **FIELD 3:** Up to two hex characters.
- **Enter:** Press enter at the end each command.

NOTE: Few commands require entry of data fields. After a command has been entered, the system will prompt for data it needs. The system will ignore unneeded data fields.

A.3.2 Entering Commands

When entering commands:

- After the three-letter command has been entered, spaces may be added to separate the fields.
- Leading zeros may be omitted.
- Use DELETE or BACKSPACE to correct mistakes.
- Press **Enter** at the end of each command.

A.3.3 Commonly Used Commands

Table A-2 lists the most commonly used commands. The most complex command is SET. This command is structured to ensure that parameter entry can be done easily and accurately. The other commands, which are much simpler, require little or no subsequent data input. Their actions are completed in a matter of seconds.

NOTE: To become familiar with these commands, try each command (except SET) and observe the system's response.



CAUTION: RES will momentarily interrupt any calls currently being boosted. Otherwise, the system commands do not interfere with calls being boosted.

Command	Meaning	Purpose
HEL	Help	Lists the syntax and function of the primary commands.
HEL A	Help All	Lists the syntax and function of all commands.
SET	Set up	Prompts a menu-driven entry mode used to inspect or change all MR Booster operating parameters. <i>(To exit this command, press <CTRL> X and answer N, press Enter.)</i>
SSS	Show System Status	Lists current repeater parameter settings and conditions of monitored input parameters.
ALA	Alarm report	Reports on number of alarm conditions since last system reset.
RES	Reset	Resets the booster. Parameters in effect when the command is issued will be saved.
PWR	Power display	Repeatedly lists power readings on the PAs. <i>(To exit this command, press <ESC> or <CTRL> Z.)</i>

Table A-2. System Commands

A.3.4 Escaping From Continuous Cycles

Some commands, such as RSS, enter a mode in which the program does something continuously. To get out of this mode and return to the command prompt, press <ESC> or <CTRL> Z.

A.3.5 Ending a Session

The RES command preserves extensive parameter changes made during a session. It ensures that all parameter changes take effect, since all hardware is initialized after a reset. Also, all alarms conditions counter to 0.

A.4 SET Command

From the command prompt (>), the SET command launches the setup utility, which displays a progression of menus. The menus provide a guided path to each booster parameter. The menu map in Figure A-1 illustrates the SET menu paths. Table A-3 summarizes the alarm parameters that can be programmed using the SET command.

- **Moving Forward:** After each command has been entered, a menu is displayed, with a character in front of each item. To select an item, type the character and press Enter. The next menu (or the parameter to be changed) will be displayed.
- **Moving Backward:** To move backward along a path, type X and press Enter. This indicates a "Done with this menu" selection. The previous menu will be displayed. Continue to back out to the main SET menu.
- **Exiting:** To exit SET, press <CTRL> X at any menu level. Or, type X and press Enter while at the main menu level.



Figure A-1. SET Command Menu Map

Parameter	Options	Default	Description
PA TEMP - HIGH ALARM POINT	0 (Disabled) 1–100° C	90° C	Defines PA temperature alarm condition.
DC POWER - LOW ALARM POINT	0 (Disabled) 0.1–14.9 Volts	10.0 Volts	Alarm thresholds for power supply voltages
AC POWER LOST - ALARM POINT	0 (Disabled) 1–250	10 x 0.1 minutes	Defines duration of no ac for alarm.
PS TEMP ALARM	Enabled Disabled	Enabled	Enables alarm for power supply over temperature.
DOOR OPEN ALARM	Enabled Disabled	Enabled	Enables door open alarm.
EXTERNAL ANALOG INPUT ALARM STATE (For each of 3 inputs)	0–5 volts	0.0 Vdc	Defines alarm condition on the three analog inputs.
	(0) Disabled (1) Above threshold (2) Below threshold	Disabled	Defines alarm conditions on the three analog inputs.
EXTERNAL DIGITAL INPUT ALARM STATE (For each of 3 inputs)	(0) Disabled (1) High (2) Low	Disabled	Defines alarm conditions on the three general-purpose inputs.
EXTERNAL DIGITAL OUTPUT CURRENT STATE (For 2 outputs)	(1) High (2) Low (3) High if alarm. . . (4) Low if alarm. . .	Low	Defines state of the two general-purpose outputs.

Parameter	Options	Default	Description
CRITICAL ALARMS: PA Out-of-Service Alarm PA Temp - High Alarm PA Power - Low Alarm ROM Alarm RAM Alarm NOVRAM Alarm PS Voltages - Low Alarm AC Power Lost Alarm PS Temp Alarm Door Open Alarm External Analog Input Alarm External Digital Input - Alarms	Log only or Critical	Critical Critical Critical Critical Critical Critical Critical Critical Critical Critical Critical Critical	"Log only" alarm occurrences will be logged; total number of occurrences can be viewed using the ALA command. "Critical" alarms will not only be logged, but also ???

Table A-3. Alarm Parameters

A.4.1 Main Menu

Entry: At the > prompt, type **SET**, press **Enter**.

Menu:

Main Setup Menu

- B Power Amplifiers Menu
- D Alarms Menu
- E Set Defaults

Purpose: Gives access to setup menus.

NOTE: Use caution with selection E, Set Defaults.

A.4.2 Power Amplifiers Menu

Entry: From the Main Menu, at the > prompt, type **B**, press **Enter**.

Menu:

Power Amplifiers Menu	Default
A Forward PA Power High Alarm Point	+33 dBm
B Forward PA Power Maximum AGC Threshold.....	+31 dBm
C Forward PA Power Low Alarm Point.....	+20 dBm
D Reverse PA Power High Alarm Point.....	+33 dBm
E Reverse PA Power Maximum AGC Threshold.....	+31 dBm
F Reverse PA Power Low Alarm Point.....	DISABLED

Purpose: Gives access to each PA parameter.

A: Forward PA Power High Alarm Point

Entry: From the Power Amplifiers Menu, type **A**, press **Enter**.

Purpose: To define the maximum acceptable RF power output. If the level exceeds that figure, an alarm will be logged.

Options:

- Allowable range: +20 to +35 dBm
- Default: +33 dBm

B: Forward PA Power Maximum AGC Threshold

Entry: From the Power Amplifiers Menu, type **B**, press **Enter**.

Purpose: To set the RF power level at which the booster will begin to cut back gain. If this level is exceeded, the gain is reduced by 4 dB every Gain Control Period until the RF power level is below the AGC threshold or until the PA is shut down.

Options:

- Allowable range: +20 to +35 dBm
- Default: +31 dBm

C: Forward PA Power Low Alarm Point

Entry: From the Power Amplifiers Menu, type **C**, press **Enter**.

Purpose: To define the minimum acceptable RF power output. If the level exceeds that figure, an alarm will be logged.

Options:

- Allowable range: +20 to +35 dBm
- Default: +20 dBm

NOTE: The system will not log a PA Power Low Alarm if there is not sufficient input RSSI to drive the amplifier with the current gain.

D: Reverse PA Power High Alarm Point

Entry: From the Power Amplifiers Menu, type **D**, press **Enter**.

Purpose: To define the maximum acceptable RF power output. If the level exceeds that figure, an alarm will be logged.

Options:

- Allowable range: +20 to +35 dBm
- Default: +33 dBm

E: Reverse PA Power Maximum AGC Threshold

Entry: From the Power Amplifiers Menu, type **E**, press **Enter**.

Purpose: To set the RF power level at which the booster will begin to cut back gain. If this level is exceeded, the gain is reduced by 4 dB every Gain Control Period until the RF power level is below the AGC threshold or until the PA is shut down.

Options:

- Allowable range: +20 to +35 dBm
- Default: +31 dBm

F: Reverse PA Power Low Alarm Point

Entry: From the Power Amplifiers Menu, type **F**, press **Enter**.

Purpose: To define the minimum acceptable RF power output. If the level exceeds that figure, an alarm will be logged.

Options:

- Allowable range: +20 to +35 dBm
- Default: Disabled

NOTE: The system will not log a PA Power Low Alarm if there is not sufficient input RSSI to drive the amplifier with the current gain.

A.4.3 Alarms Menu

Entry: From the Main Menu, at the > prompt, type **D**, press **Enter**.

Menu:

Alarms Menu	Default
A PA Temp – High Alarm Point	90° C
C DC Power – Low Alarm Point	10.0 V
D AC Power Lost – Alarm Point	10 (x 0.1 Min)
E PS Temp Alarm.....	ENABLED
F Door Open Alarm.....	ENABLED
G External Analog Inputs Menu	
H External Digital Inputs Menu	
I External Digital Outputs Menu	
J Critical Alarms Menu	

Purpose: Gives access to parameters that generate alarm conditions. Each condition may be designated “log only” or “critical.”

A: PA Temp – High Alarm Point

Entry: From the Alarms Menu, type **A**, press **Enter**.

Purpose: To define the maximum acceptable PA temperature. Temperatures above this limit will cause an alarm to be logged.

Options:

- Allowable range: 0-200° C
- Default: 90° C

C: DC Power – Low Alarm Point

Entry: From the Alarms Menu, type **C**, press **Enter**.

Purpose: To specify the +12 V supply voltage alarm threshold. An alarm is generated if the +12 V reading is equal to or lower than this voltage. This alarm indicates a problem with the power supply, harness wiring, or connectors.

Options:

- Allowable range: 0 (Disabled), 0.1 to 14.9 V
- Default: 10.0 V

D: AC Power Lost Alarm Point

Entry: From the Alarms Menu, type **D**, press **Enter**.

Purpose: To specify the duration of an AC power outage that will cause an alarm to log.

Options:

- Allowable range: 0 (Disabled), 1 to 250 X 0.1 Minutes
- Default: 10 X 0.1 Minutes

E: PS Temp Alarm

Entry: From the Alarms Menu, type **E**, press **Enter**.

Purpose: To enable or disable the alarm for the power supply over temperature.

Options:

- Allowable range: Enabled or Disabled
- Default: Enabled

F: Door Open Alarm

Entry: From the Alarms Menu, type **F**, press **Enter**.

Purpose: To enable or disable the door open alarm.

Options:

- Allowable range: Enabled or Disabled
- Default: Enabled

NOTE: The Door Open Alarm will not log for 10 minutes after an ALA=0 or RES command. This will allow the operator time to disconnect the local terminal and close the door.

G: External Analog Inputs Menu

Entry: From the Alarms Menu, type **G**, press **Enter**.

Menu:

External Analog Inputs Menu	Default Values
1 Ext. Analog Input 1 Alarm State DISABLED	;Input Currently 0.0 Volts
2 Ext. Analog Input 2 Alarm State DISABLED	;Input Currently 0.0 Volts
3 Ext. Analog Input 3 Alarm State DISABLED	;Input Currently 0.0 Volts

Purpose: Allows setting of the alarm conditions for the external analog inputs. Up to three analog inputs may be connected (see Section 3.3.4).

Options:

- Allowable entries:
 - (0) DISABLED
 - (1) ABOVE
 - (2) BELOW
- The input alarm points are individually controllable; if above or below is selected, a threshold between 0.1 and 5.0 V may be specified.
- Default: (0) DISABLED

H: External Digital Inputs Menu

Entry: From the Alarms Menu, type **H**, press **Enter**.

Menu:

External Digital Inputs Menu	Default Values
1 Ext. Digital Input 1 Alarm State	DISABLED ;Input Currently HIGH
2 Ext. Digital Input 2 Alarm State	DISABLED ;Input Currently HIGH
3 Ext. Digital Input 3 Alarm State	DISABLED ;Input Currently HIGH

Purpose: Allows setting of the alarm conditions for the external digital inputs. Up to three digital inputs may be connected (see Section 3.3.4).

Options:

- Allowable entries:
 - (0) DISABLED
 - (1) HIGH
 - (2) LOW
- Default: (0) DISABLED

I: External Digital Outputs Menu

Entry: From the Alarms Menu, type **I**, press **Enter**.

Menu:

External Digital Inputs Menu	Default Values
1 Ext. Digital Output 1 State	LOW
2 Ext. Digital Output 2 State	LOW

Purpose: Allows setting of the state for the external digital outputs. Up to two digital outputs may be connected. The outputs may be used to control external equipment (see Section 3.3.4). Also, options (1) and (2) support using external monitoring equipment to be connected to the MR Booster.

Options:

- Allowable entries:
 - (0) LOW
 - (1) LOW IF CRITICAL ALARM EXISTS
 - (2) HIGH IF CRITICAL ALARM EXISTS
 - (3) HIGH
- Default: (0) LOW

J: Critical Alarms Menu

Entry: From the Alarms Menu, at the > prompt, type **J**, press **Enter**.

Menu:

Critical Alarms Menu	Default
J PA OUT-OF-SERVICE ALARM	CRITICAL
K PA TEMP – HIGH ALARM	CRITICAL
L PA POWER – HIGH ALARM	CRITICAL
M PA POWER – LOW ALARM.....	CRITICAL
N ROM ALARM.....	CRITICAL
P NOVRAM ALARM.....	CRITICAL
Q POWER SUPPLY VOLTAGE – LOW ALARM.....	CRITICAL
R AC POWER LOST ALARM.....	CRITICAL
S PA TEMP ALARM	CRITICAL
T DOOR OPEN ALARM.....	CRITICAL
U EXTERNAL ANALOG INPUT ALARM.....	CRITICAL
V EXTERNAL DIGITAL INPUT - ALARMS	CRITICAL

Purpose: Displays a list of logged alarms. Any alarm may be set to “log only” or “critical.”

Options:

- Allowable entries:
(1) CRITICAL
(2) LOG ONLY
- Default: (1) CRITICAL

A.5 System Monitoring Commands

The MR Booster software monitors the status and performance of the system through simple commands. Each command is entered at the command prompt (>). The following commands are described in this section:

- SSS (Show System Status) Command
- ALA (Alarm Report) Command
- PWR (PA Power Display) Command
- REV (Show Software Revision) Command

A.5.1 SSS (Show System Status) Command

Entry: At the > prompt, enter **SSS** press **Enter**.

Purpose: Lists a one-page report of selected MR Booster operating parameters, along with the conditions of inputs that are monitored, then returns to the command entry level. Figure X-X shows a sample SSS report. Items listed in the report are described on the following pages.

Reported Items:

- **BOARD MODE:** Operating mode of each board:
 - ✓ **Enabled:** Indicates the board is actively repeating signals in both forward and reverse directions.
 - ✓ **Standby:** Indicates the board is OK, but not currently Active due to a problem with another element in the system. Normally, a board that is Standby will automatically go back to Active if the problem on the board or PA is cleared up.
 - ✓ **Disabled:** Indicates either that the board status is set to None or Disabled (i.e., the board has been disabled by the user) or that the board is Disabled due to an alarm condition. If the latter case is true, the ALA command will show an OUT OF SERVICE alarm that caused the out-of-service condition.

```
>SSS
To come . . .
```

Figure X-X. Sample SSS Report

- **BOARD TYPE:** Board type as read from the actual hardware. The installed boards have a built-in personality identifier that is read and reported. Board types are indicated as follows:
 - ✓ Wideband boards:
 - Cellular: Indicates the band and service the board is designed to support.
 - 1.25 MHz: Indicates the bandwidth of the filters on the board.
 - ✓ **None:** No board is detected, or there is a hardware communication problem between the RF board and the controller. (The rest of the display for that column will be blank.)

- **PA MODE:** Active, Standby, or Disabled. A PA cannot be disabled by the user. If a PA MODE is Disabled, it is always due to an alarm on that PA.
- **PA POWER (DBM):** Power output indication (nominal level at the antenna connection).
- **PA TEMP (DEG C):** Temperature reading of the PA.
- **DC VOLTAGE:** The current voltage reading of the (nominal) 13.8 Volt supply. Range: 0-20 Volts.
- **AC SUPPLY:** OK or LOST FOR X MINUTES. Indicates if ac is present, or, if lost, for how long.
- **POWER SUPPLY TEMP: ???**
- **CABINET DOOR:** OPEN or CLOSED.
- **EXT. ANALOG VOLTAGES:** Voltages at the three general-purpose analog inputs. Range: 0-5 Volts.
- **EXT. DIGITAL I/O:** Shows the current state of the three general-purpose digital inputs and two general-purpose digital outputs. Range: HIGH or LOW.

A.5.2 ALA (Alarm Report) Command

Entry: At the > prompt, enter **ALA** press **Enter**.

Purpose: Displays a report of the number of alarm conditions that have occurred since the last system reset, then returns to the > prompt. Figure X-X shows a sample ALA report. Reported alarms are described on the following pages.

```
>ala
to come . . .
```

Figure X-X. Sample ALA Report

Reported Alarms Description:

- Counts stop at 63.
- All counts are zeroed after a power reset or a RES command. Counts may be zeroed by entering **ALA=0**.

- **Alarm log rate:** Some alarms are checked as often as five times a second. To prevent a single alarm condition from running up the count, a given alarm is logged, at most, one time in 10 minutes. The alarm counts may be interpreted as the number of 10-minute intervals in which the alarm occurred.

There are two exceptions to this: the board and PA Out of Service alarms, which are really not logs at all, but reflect the current condition of the board or PA.

- **Automatic Restore to Service:** If an alarm condition causes a board or PA to be taken out of service, the system will continue to process calls using available boards and PAs until no calls are up. At that time, the controller will attempt to restore out-of-service boards to service by resetting the boards.

After the *boards reset*???, the controller power-on diagnostics are run on all boards and PAs. These diagnostics check for all alarms that may cause a board or PA to be out of service, and if an alarm of that type occurs, the board or PA remains out of service. If a board or PA fails to come back in service, the controller repeatedly tries to restore boards or PAs to service (during times when no calls are up) up to 10 times, the last seven of which are spaced at least 1 hour apart. Note that regardless of whether the board or PA comes back in service, the original alarm that caused the problem is still maintained in the log. Except for the Out of Service alarms, the only way alarms can be zeroed is with **ALA=0** or a system reset.

PA Alarms Reported:

- **PA OUT OF SERVICE ALARM:** PA currently out of service. If the measured PA power exceeds the Maximum Power AGC Threshold level, the controller will reduce the gain in 4 dB steps, as long as the condition persists, down to the minimum setting. If the output power still exceeds the Maximum Power AGC Threshold, the PA will be taken out of service. (If the PA mode displayed by the SSS command is *DISABLED*, the PA has been taken out of service.)

When a PA goes out of service, the MR Booster will attempt to bring it back into service by re-initializing the RF hardware, including the *boards???* and the PAs. Because an out-of-service PA is usually due to an oscillation condition, the system does not attempt immediately to bring it back. Rather, the system will attempt a restore-to-service once each hour, as long as the PA continues to go back out of service. After seven such attempts, the system will discontinue restore-to-service attempts to that PA, leaving it out of service. However, if another board or PA goes out of service, it will trigger its own set of restarts, any of which might bring back any or all out-of-service boards or PAs.

- **PA TEMP HIGH ALARM:** PA temperature above the Maximum PA Temperature Alarm Point parameter.

- **PA POWER HIGH ALARM:** PA output power above the Maximum Power Alarm Point parameter. Following is a list of possible causes:
 - ✓ Improper setting of the PA Power High Alarm Point with respect to the PA Power AGC Threshold
 - ✓ Failure of the AGC algorithm to keep the power in check
 - ✓ Too much gain
 - ✓ Oscillation

- **PA POWER LOW ALARM:** PA output power below the Minimum Power Alarm Point parameter at a time when RSSI and gain are sufficient to cause that much power. Following is a list of possible causes:
 - ✓ PA failure
 - ✓ Board failure (either low gain or inaccurate RSSI reporting)
 - ✓ Problem with one of the RF cables that couple the boards and PAs

System Alarm Conditions Reported:

- **ROM ALARM:** Problem in Read Only Memory. (Checked at power-up by computing a ROM checksum and comparing it with a stored checksum. *Note: The CHK command will recompute the ROM checksum and display the stored checksum but will not check for a match.*)

- **NOVRAMALARM:** Problem in Nonvolatile Memory. (Checked at power-up by looking for several "signature bytes" that indicate if data have ever been written and if gross memory loss has occurred. If the signature cannot be found, the system tries to write the defaults [and the signature] to the NOVRAM.
 - ✓ Alarm readings:
 - 0 = No problems.

- 1 = Signature not found, but system was able to write it successfully. (All operating parameters will revert to their default values.) Software upgrades usually result in this reading, since different versions employ different signatures. Repeated occurrences indicate an intermittent NOVRAM.
- 2 = Signature not found; system could not write the signature. Indicates faulty NOVRAM circuitry.

- **DC VOLTAGE LOW ALARM:** The +12 volt supply went below the associated Low Alarm Point. The voltages are monitored at the controller board. A monitored supply voltage point must be in the alarm condition for at least 1 second before an alarm is logged. Shorter duration dips below the alarm points are ignored.
- **AC SUPPLY LOST ALARM:** This alarm is logged if the AC power is lost for a period of time longer than the AC Power Lost - Alarm Point duration.
- **POWER SUPPLY TEMP ALARM:** This alarm count indicates the number of 10-minute intervals during which the power supply temperature exceeded its internally set Max Operating Point.
- **CABINET DOOR OPEN ALARM:** This alarm count indicates the number of 10-minute intervals during which the cabinet door was detected to be open for at least 1 second.

NOTE: Alarm will not be logged for 10 minutes after an ALA=0 or RES command. This allows the operator time to disconnect the local terminal and close the door.

- **EXT. ANALOG ALARMS:** Indicates the number of times the voltage on the general-purpose analog input has gone above or below the threshold specified in the Ext. Analog Input Alarm State parameter. An external analog input alarm condition must persist for at least 1 second before an alarm is logged. Shorter durations are ignored.
- **EXT. DIGITAL ALARMS:** Indicates the number of times the input has been different from the Ext. Digital Input Alarm State parameter if enabled. An external digital input alarm condition must persist for at least 1 second before an alarm is logged. Shorter durations are ignored.

A.5.3 PWR (PA Power Display) Command

Entry: At the > prompt, enter **PWR**, press **Enter**, or **PWR X**, press **Enter** where X is 1-3 (*2 or 4 depending on # of PAs??? How are they numbered in the cabinet???*) indicating the display option desired.

A. Software Control

Purpose: The PWR command allows the user to continuously monitor the PA power. Also, PWR allows continuous monitoring of other PA parameters by choosing options 2-3. Each of the PWR options causes a selected SSS display line to be displayed on a continuously updated basis. The information has the same meaning as with SSS. Figure X.X shows a sample list of power readings.

```
>pwr
OPTIONS: 1-PA PWR; 2-PA TEMP; 3-PA MODE... ENTER CHOICE (1-3): 1
PA                FWD                REV
PA POWER (DBM)    +25                +0
PA TEMP (DEG C)   +32                +33
PA MODE           ENABLED           ENABLED
<ESCAPE>
```

Figure X.X. Sample List of Power Readings

A.5.4 REV (Show Software Revisions) Command

Enter: From the > prompt, enter REV press Enter.

Purpose: Shows the controller board software revision, date code, and serial number.

Parts & Accessories Order Information

A. Introduction

This part of the manual provides information about MR Booster parts, including:

- **Model numbers:** MR Booster model numbers.
- **Suggested spares:** Suggestions for replacement parts to be kept on hand, according to system size.
- **Replacing parts and accessories:** Procedures for exchanging units under warranty (see page iv for product warranty) as well as those not under warranty, and for purchasing spare parts.

B. Model Numbers

The figure below explains the meaning of each character in the MR Booster model number.

Example: MRBDUP19L			
MRB	DUP	19	L
MR Booster	Options: BASE: Basic cabinet DUP: Donor duplexer RDUP: Downlink duplexer AMP4x: High power AMP2x: Medium power DIV: With diversity PREAMP: Downlink amplifier VSWR: Antenna VSWR	Frequency Bands LMR800: 07 AMPS800: 08 PCS ADB: 19 PCS EFC: 19	Frequency sub-bands (duplexer and diversity options only): L: PCS ADB blocks H: PCS extended EFC blocks X: Full-band coverage

Table Parts-1. Model numbers

C. Suggested Spares

The recommended spares per number of fielded MR Boosters is shown below. Follow instructions in Section C to purchase spare components

Part	Recommendation	Part Number
Power supply	1 per 5 systems	G59A0021-1
Power amplifier	2 per 5 high-power systems	G75A0049-1
LNA	1 per 10 systems	A001762.G2
Logic controller board	1 per 10 systems	A001769-1
Combiner/splitter	1 per 10 systems	2-way: A001748.G3 4-way: A001748.G4
Fans	1 per 5 high-power systems	G45AF005-1

Table Parts-2. Spare parts list

D. Replacing Parts and Accessories

To order spare or replacement parts, refer to the following instructions:

I. Exchange Procedures: Units Under Warranty¹

Failed MR Booster parts that are still under the manufacturer's warranty can be exchanged by following these procedures:

1. Obtain the model or part number of the MR Booster unit, as listed earlier in this section.
2. Call the MIKOM Hotline at 1 (800) 800-3224. Be prepared to provide the part number and any other pertinent information.
3. Repair parts/assemblies will be shipped. MIKOM will ship replacement parts or assemblies with a Return Materials Authorization (RMA) form. This form must be used to return failed parts or assemblies to MIKOM. All parts are shipped next day air, free of charge, unless otherwise instructed by the customer.
4. Return failed parts/assemblies to MIKOM according to instructions on the RMA form.



The customer account will be billed for the full value of the replacement part or assembly at the time of shipment. The account will be credited (subject to inspection of the returned item) when the failed parts/assemblies are received by MIKOM. For parts that are ordered incorrectly and returned, a 10% restocking fee will be assessed.

¹ A copy of the Warranty is provided in the front of this manual, page iv

II. Exchange Procedures: Units No Longer Under Warranty

Selected units that are no longer under warranty can be replaced through the MIKOM exchange program. This program permits customers to exchange a failed part or assembly for a working part or assembly, for a charge. Contact MIKOM, Systems Engineering Department, to determine which assemblies can be exchanged under this program.

To take advantage of this program, follow the procedures listed above under *I. Exchange Procedures: Units Under Warranty*.



The customer account will be billed for the full value of the replacement part or assembly at the time of shipment. The account will be issued a core value credit (subject to inspection of the returned item) when the failed part/assembly is received by MIKOM. The customer account will be billed a nominal exchange charge. All parts are shipped at the customer's expense. For parts that are ordered incorrectly and returned, a 10% restocking fee will be assessed.

III. Purchasing Spare Parts/Assemblies

Spare parts/assemblies for the MR Booster can be purchased by contacting MIKOM at (440) 349-8677 or (800) 321-9977 for prices and delivery. Refer to the list in Section C to identify specific parts.



Spare or replacement parts orders can be processed more efficiently when items are identified by their part number. The Systems Engineering Department of MIKOM can assist customers with locating and verifying the correct part number. Customers should be prepared to provide the unit model and serial number, which are printed on labels affixed to each unit.

IV. Returning Products for Repair

Products under warranty will be repaired and returned at no charge; no purchase order is required.

For non-warranty repairs, a purchase order must be submitted in advance, and shipping charges are paid by the customer. Repair estimates will be given if requested. Products still under warranty but damaged by the customer are treated as non-warranty repairs.