

# Outdoor Bluetooth Speaker

## Package Contents

Anker Outdoor Bluetooth Speaker  
1ft Micro USB charging cable  
Metal hook  
Travel pouch  
Welcome Guide

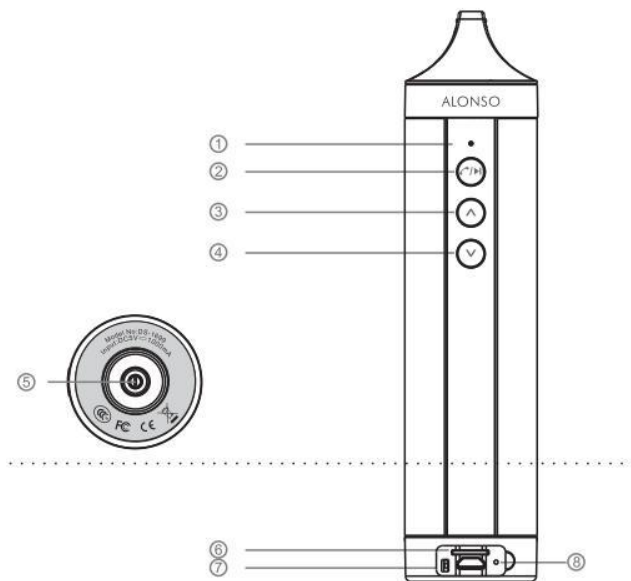
## Product Features

- Enjoy music when hiking, rafting, at the poolside, in the shower and more with this splashproof outdoor speaker.
- 10 hour non-stop play time lets you listen to your music through the day.
- Connects automatically to the last connected Bluetooth device whenever powered on.
- Bluetooth 4.0 enables high definition audio, backward compatible with all Bluetooth versions.
- Micro SD card reader lets you play your music without using your phone.
- Previous / Next Song, Volume, and Play / Pause buttons provide device-free control.

## Specifications

Model	A7912
Bluetooth Standard	4.0
Waterproof Level	IPX 4
Product Weight	263g / 9.3oz
Product Size	181.0 × 41.6 × 41.6mm / 7.1 × 1.6 × 1.6in
Play Time	10 hours
Charge Time	3 hours
Input	5V / 500mA
Operating Range	10m / 33ft
Speaker Output Power	1.5W × 2
Supported Bluetooth Profiles	HSP, HFP, A2DP, AVRCP

## Product Overview



1. Status Indicator
2. Play / Pause
3. Volume Up / Next Song
4. Volume Down / Previous Song
5. Power / Function Button
6. Micro SD Card Slot
7. Micro USB Charging Port
8. Battery Indicator

## How to Pair with Your Device

1. Press the power button for 3 seconds. The speaker will turn on and automatically enter pairing mode indicated by the flashing blue LED.
2. Activate your device's Bluetooth function and search for the device.
3. Once the Bluetooth speaker has been detected, select the product name "Anker A7912" to connect. (For devices with Bluetooth versions earlier than 3.0, press "Yes" to confirm pairing. Enter a passkey or PIN code "0000" (4 zeros), then press the "Yes" or "OK" key to finish pairing.)
4. When the Bluetooth speaker and your device are successfully paired, the blue LED will go on and remain on while connected.

When turning on the speaker, it will automatically connect to the last connected device as long as Bluetooth is still enabled. Before pairing with another device, disable the Bluetooth function on the previous device and the speaker will automatically return to pairing mode.

Note: To switch to SD card mode, simply insert your Micro SD card when in standby or Bluetooth mode. The speaker enters Bluetooth mode by default when turning on the speaker or when a Micro SD card is not inserted.

## Button Functions

Functions	Button
Turn the Speaker On / Off	Hold Power Button
Answer / End a Call	Press Play / Pause
Reject a Call	Hold Play / Pause for 2 seconds.
Turn Volume Up / Down	Press “^” or “v”
Play Previous / Next Song	Hold “v” or “^”
Delete Pairing Record	Hold “v” and “^” for 2 seconds
Switch to SD Card Mode	Hold Play / Pause for 3 seconds.

## How to Recharge Your Speaker

When the battery is low, the speaker will beep once and the red indicator will flash for about 10 minutes.

1. Plug the Micro USB cable into the speaker’s Micro USB charging port.
2. Insert the remaining end of the USB charging cable into (a) a USB AC adapter (not included) connected to a wall socket, or (b) a charging computer USB port. A steady red battery indicator will show that it is charging.
3. When fully charged, the red battery indicator will go off.

## LED Indicators

Indicator	Status
Bluetooth Indicator	
Flashing blue	In pairing mode

Blue	Connected to a device
Flashing red	Low battery
Off	Micro SD Card mode
<b>Battery Indicator</b>	
Red	Charging
Off	Fully charged

## Usage Tips

1. Power off the speaker when not in use and before storing.
2. The operational range of the speakers may be influenced by obstructions such as walls and pillars. To ensure a stable connection, we recommend avoiding such obstructions whenever possible and/or shortening the distance during use.
3. To protect the long term performance of the battery, avoid placing the speaker in temperatures exceeding 140°F/60°C such as in a hot vehicle or under direct sunlight.
4. Do not submerge the speaker in water or other liquids. It can resist splashes from all directions up to IPX level

## FAQ and Solutions

### 1. What should I do if the speaker doesn't connect to my device?

Check to ensure your device's Bluetooth function is enabled and is within 3ft/1m of the speaker.

Delete the pairing record(s) on the speaker or your device and try again.

### 2. Can I use the speaker to play music while charging?

To protect the long-term performance of the battery, it is better to charge while the speaker is turned off, especially when the battery is low.

### 3. What should I do if the speaker disconnects from my device?

Try turning off the speaker, and pair with your device again.

## FCC Statement :

This device complies with Part 15 of the FCC Rules. Operation is subject to the following two conditions:

(1) This device may not cause harmful interference, and

(2) This device must accept any interference received, including interference that may cause undesired operation.

**Warning:** Changes or modifications not expressly approved by the party responsible for

compliance could void the user's authority to operate the equipment.

NOTE: This equipment has been tested and found to comply with the limits for a Class B digital device, pursuant to Part 15 of the FCC Rules. These limits are designed to provide reasonable protection against harmful interference in a residential installation.

This equipment generates uses and can radiate radio frequency energy and, if not installed and used in accordance with the instructions, may cause harmful interference to radio communications. However, there is no guarantee that interference will not occur in a particular installation. If this equipment does cause harmful interference to radio or television reception, which can be determined by turning the equipment off and on, the user is encouraged to try to correct the interference by one or more of the following measures:

- Reorient or relocate the receiving antenna.

- Increase the separation between the equipment and receiver.

- Connect the equipment into an outlet on a circuit different from that to which the receiver is connected.

- Consult the dealer or an experienced radio/TV technician for help.

### **RF warning statement:**

The device has been evaluated to meet general RF exposure requirement. The device can be used in portable exposure condition without restriction.