

pick
your up
game



SUPER LANBOY

User's Manual
Manuel de l'utilisateur
Anwenderhandbuch
Manuale per l'operatore
Manual del usuario

At Antec, we continually refine and improve our products to ensure the highest quality. So it's possible that your new case may differ slightly from the descriptions in this manual. This isn't a problem; it's simply an improvement. As of the date of publication, all features, descriptions, and illustrations in this manual are correct.

Disclaimer

This manual is intended only as a guide for Antec's Computer Enclosures. For more comprehensive instructions on installing your motherboard and peripherals, please refer to the user's manuals which come with your components and drives.

Super LANBOY User's Manual Anodized Aluminum Super Mini Tower Case

We don't include a power supply with the Super LANBOY. So you're free to choose one that best suits your needs. Make sure you choose a PS/2 size power supply that conforms to the ATX standard and is compatible with your motherboard. Most systems conform to either the ATX12V or ATX2.03 standard.

Setting up

1. Take the case out of the box. Remove the Styrofoam and the plastic bag.
2. Place the case upright on a flat surface, with the rear of the case facing you.
3. Remove the thumbscrews from the right side panel. Open the case by pulling the panel away from the case.
4. Inside the case, you'll see wiring with marked connectors (USB, PWR etc.), an installed I/O panel and a power cord.
5. Swing the front panel open. You'll see a toolbox with a picture frame on it. To open the toolbox, simply push on it. To lock it into position, push on it again. Inside the toolbox, you can store hardware or small tools (screws, brass standoffs, plastic stands, etc.)

Installing the power supply

1. With the case upright, place the power supply in the top rear of the case.
Note: most dual-fan power supplies should be installed with the second fan towards the bottom of the case.
2. Push the power supply to the back of the case and align the mounting holes.
3. Attach the power supply to the case, using the screws provided.

Installing the motherboard

This manual does not cover CPU, RAM, or expansion card installation. Please consult your motherboard manual for specific mounting instructions and troubleshooting.

1. Lay the case down, with the open side facing up. The drive cages should be visible.
2. Make sure you have the correct I/O panel for your motherboard. If the panel provided with the case isn't suitable, please contact your motherboard manufacturer for the correct I/O panel.
3. Line up your motherboard with the standoff holes, and remember which holes are lined up. Not all motherboards will match with all of the provided holes; this is normal, and won't affect functionality.

4. Lift your motherboard away from the standoff holes.
5. Screw the brass standoffs into the threaded holes that line up with your motherboard. Do not overtighten the standoffs. Some standoffs may be preinstalled for your convenience.
6. Place your motherboard on the brass standoffs.
7. Attach your motherboard to the standoffs with the provided Phillips-head screws. Your motherboard is now installed.

Connecting the Power Switch and LEDs

1. Connect the 20-pin ATX power connector from your power supply (and AUX or +12V connectors if appropriate) to your motherboard.
2. The Reset switch (labeled RESET SW) connects to your motherboard at the RST connector. Make sure you always attach the colored wire to Pin 1, and the black wire to ground.
3. Connect the Power Switch (labeled POWER SW) to the PWR connector on the motherboard.
4. The Power LED, Hard Drive LED, and Speaker connectors all share a single ribbon cable. Attach the POWER LED, HDD LED connector and SPEAKER connectors to the appropriate headers on your motherboard.

Connecting the USB ports

There are two black 5-pin USB connectors on cables attached to the front bezel. Here's how to connect them to your motherboard headers:

1. Check the USB pin layout in your motherboard's user manual and make sure it follows this standard pinout:
Pin 1: USB Power - may also be labeled +5V
Pin 2: Negative Signal - may also be labeled P-, D-, USB0-, etc.
Pin 3: Positive Signal - may also be labeled P+, D+, USB0+, etc.
Pin 4: Ground
Pin 5: Ground
2. Plug the 5-pin USB connectors onto the header rows so that the RED wire is on Pin 1 (Power, or +5V). The second header may be reversed (Power pin at the opposite end of the row) so be careful when you plug in both connectors.

Connecting the Audio Ports

There are seven individual wires and connectors coming from the front panel for speaker and microphone. Attach them as follows:

1. Locate the internal audio connectors on your motherboard or sound card.
2. Consult your motherboard or sound card manual for the pin-out positions.
3. Connect the MIC connector to the microphone power pin.
4. Connect the MIC-BIAS connector to the microphone input pin.
5. Connect the AUD GND connector to the ground pin.
6. Connect the FPOUT-R connector to the Front Right Speaker Out Pin.
7. Connect the FPOUT-L connector to the Front Left Speaker Out Pin.
8. Connect the RET-R connector to the Rear Right Speaker Out Pin.
9. Connect the RET-L connector to the Rear Left Speaker Out Pin.

Note: If your motherboard doesn't support rear speaker output, you don't need

to connect the RET-R or RET-L connectors.

Installing 5.25" Devices

The Super LANBOY features three external 5.25" drive bays. A metal plate covers each drive bay opening.

1. For each drive bay you wish to use, carefully remove the metal plate covering the bay by twisting it back and forth until it separates from the case. If you don't wish to use a drive bay, leave the corresponding metal plate in place. **Note:** Watch your fingers. When you remove the metal plate, there may be a sharp metal burr remaining where the plate was attached.
2. Remove the thumbscrews from the left side panel and detach the left side panel from the case.
3. Slide your 5.25" drive into the open drive bay, so that it is flush with the front bezel. Secure the drive with the provided screws. (You'll find openings for the screws on both sides of the drive bays.)
4. Connect a large white 4-pin connector from the power supply to the male 4-pin connector on the 5.25" device.
5. To mount other 5.25" devices, simply repeat this procedure.

Installing External 3.5" Devices

You'll find two external 3.5" drive bays underneath the 5.25" drive bays.

1. Remove the toolbox by pushing on its cover and sliding it out of the case.
2. For each drive bay you wish to use, carefully remove the metal plate covering the bay by twisting it back and forth until it separates from the case. If you don't wish to use a drive bay, leave the corresponding metal plate in its place. **Note:** Watch your fingers. When you remove the metal plate, there may be a sharp metal burr remaining where the plate was attached.
3. Slide your 3.5" device into the open drive bay, so that it's flush with the front bezel. Secure the device with the provided screws. (You'll find openings for the screws on both sides of the drive bays.)
4. Connect a small white 4-pin connector from the power supply to the male connector on the 3.5" device.
5. To install other 3.5" devices, simply repeat this procedure.

Installing Internal 3.5" Devices

The Super LANBOY features four internal drive bays under the external 3.5" drive bays. Each bay includes an individual drive tray.

1. Squeeze the metal clips on each side of the tray and slide the tray out.
2. Mount your hard drive or other internal 3.5" device into the drive tray by threading the special screws through the bottom rubber grommets. Don't over-tighten the screws, since that could decrease the grommets' ability to absorb vibration and noise.
3. Slide the tray back into the case and lock it.
4. Connect a 4-pin white molex connector on the power supply to the male 4-pin connector on the 3.5" device. To install other 3.5" devices, simply repeat this procedure.

Note: You can mount the drives with the connectors facing toward or away from you. If you mount them with the connectors facing away (into the case) you may wish to connect the data cables before sliding the drive into the locked position. If you are installing Serial ATA drives we recommend positioning the drives so that the connectors face you.

Toolbox

Use the toolbox to store anything you need. There's a picture frame on the front of the toolbox, so feel free to customize your case by inserting your favorite picture.

Connecting the Data Cables

After you've connected the devices to the power supply, you need to connect data cables between the devices and the motherboard. Although data cables aren't included with the Super LANBOY, here are some useful tips:

1. For hard drives and CD-ROMs, use 40-pin ribbon cables. For floppy drives, use 34-pin ribbon cables. These cables should be included with your drives, and should have a red strip on one side indicating pin number 1. When you connect a ribbon cable to a device, make sure that the red strip is on pin 1, usually toward the power connector.
2. Attach the side of the cable that has 2 connectors to your devices. This allows you to connect another device if you wish.
3. Connect the far end of the cable to your motherboard on the IDE port, either IDE 1 or IDE 2, or the FLOPPY port.

Installing the Fan

Your Super LANBOY includes two low-speed 120mm cooling fans. There's a blue LED fan installed in the front of the case, and we've included a second fan that can be installed in the rear.

Here's how to install the rear case fan:

- Step 1. Align the pre-installed fan fasteners with the four fan mounting holes on the case.
- Step 2. Pull the fasteners fully through the mounting holes on the case. **Note:** don't use excessive force, or any tools, to pull the fasteners.
- Step 3. Trim the excess material.



Step 1



Step 2

The front fan is pre-installed so that the air is drawn into the case from the front. When you turn on your system, the front blue LED fan will light up. This indicates that your system is up and running.

If you remove the front fan and decide to re-install it later:

1. Remove the front fan grille cover.
2. Align the fan with the fan holes.
3. Tighten the screws
4. Connect the male 4-pin connector (on the fan) to the large white 4-pin connector (on the power supply.)



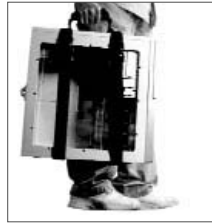
Step 3

Carrying Strap

We've included a nylon carrying strap with your Super LANBOY case. The picture below illustrates how to use it.

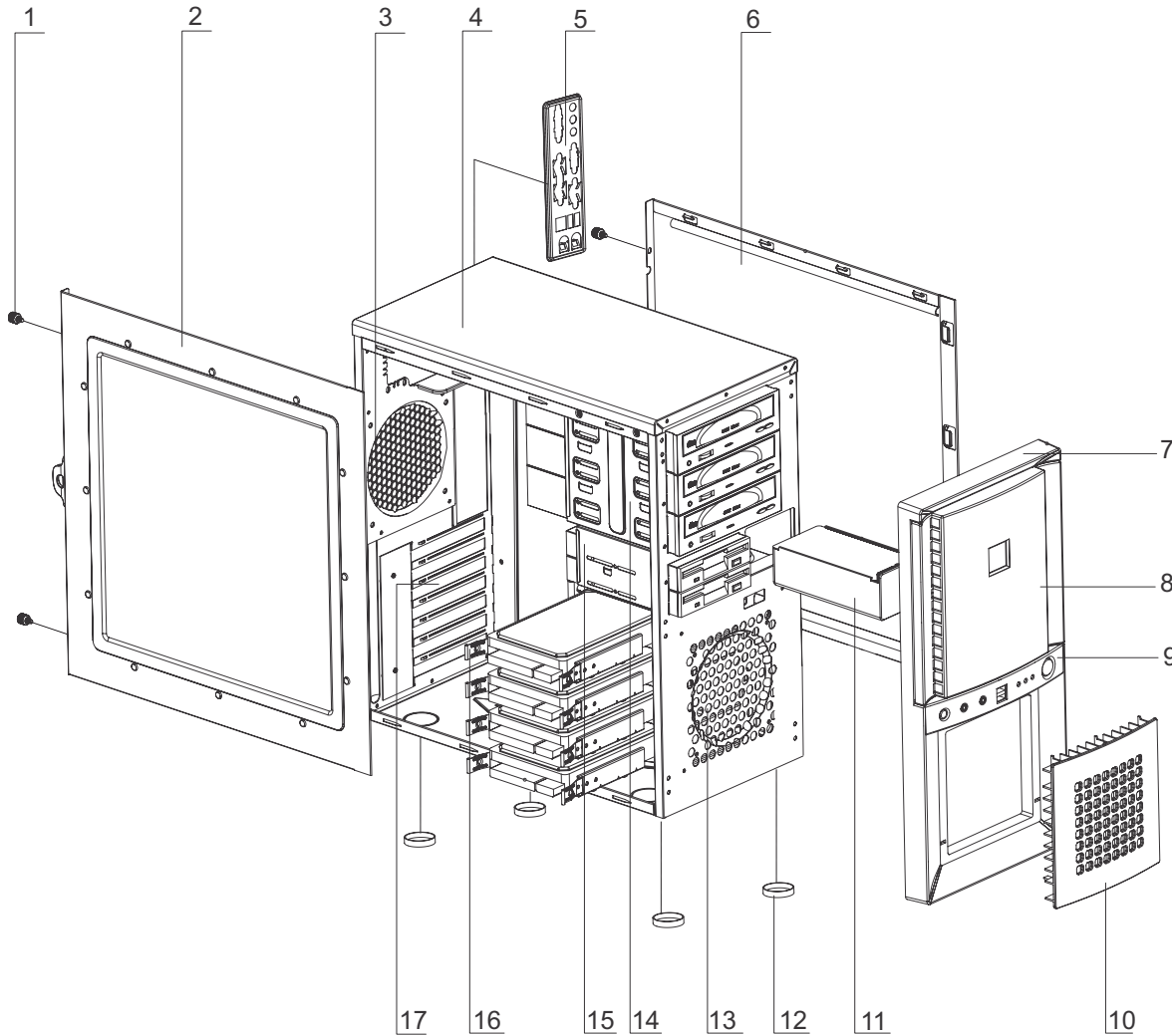


Antec Quality 3-Year parts and labor warranty (A3Q)
See details at: <http://www.antec-inc.com/warranty.html>



Super LANBOY

Anodized Aluminum Super Mini Tower Case



Drawing Number	Description
1	Thumbscrews
2	Right Clear Windowed Side Panel
3	120mm Fan Mount (Standard)
4	Top Panel
5	Universal I/O Panel
6	Left Side Panel
7	Front Panel
8	Front Door
9	Front PCB Assembly
10	Removable Front Fan Cover
11	Removable Tool Box
12	Rubber Feet
13	Front 120mm Fan Mount (Optional)
14	5.25" Drive Cage (Hardware Not Included)
15	3.5" Drive Cage (Hardware Not Included)
16	3.5" Internal Drive Bay Tray (Hardware Not Included)
17	Expansion Slot Covers