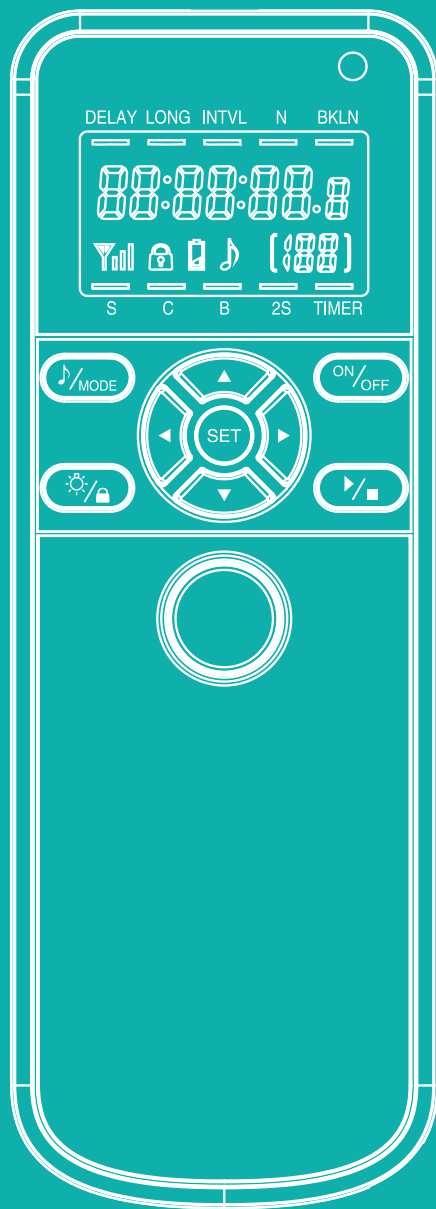
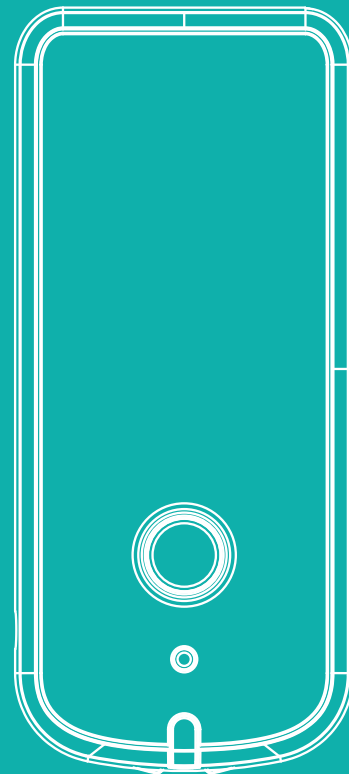


AODELAN



WTR-2(T) / TRS-1



WTR-2(R)

Wireless Timer Remote Shutter Release

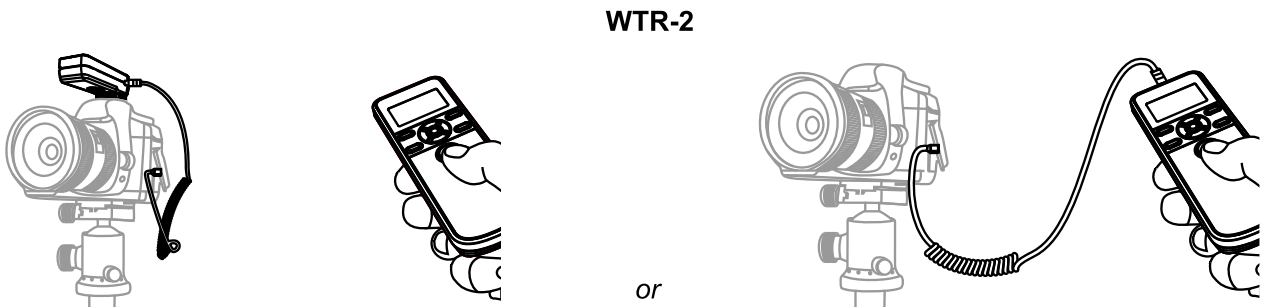
Timer Remote Shutter Release

User Manual

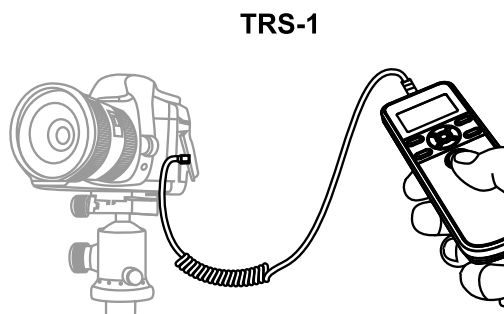
Thank you for purchasing an AODELAN product.

AODELAN WTR-2 or TRS-1 will work as a timer and remote shutter release. Besides the full functions of shutter release, it also features multiply timer functions: delay timer, long exposure timer, interval timer and as well as setting for the number of exposure; its timing setting can be accurate to 0.1 seconds. The WTR-2 or TRS-1 is great for time-lapse recording of blooming flowers, astrophotography, etc.

AODELAN WTR-2 includes a Timer WTR-2(T) and a Receiver WTR-2(R). It works as a wireless timer and remote shutter release system with the Receiver WTR-2(R) connecting to the camera and the Timer WTR-2(T) controlling the receiver. Also, the Timer WTR-2(T) can work as a wired system with it connecting to the camera directly.



AODELAN Timer TRS-1 doesn't feature with radio function; it can only work as a wired timer and remote shutter release system with it connecting to the camera. TRS-1 cannot control WTR-2(R).



Please read this user manual as well as the user manuals provided with your camera which works with WTR-2 or TRS-1 before use.

For your safety

Before using your product, please read the following safety precaution carefully to ensure correct and safe use.

- Do not disassemble or attempt to repair it.
- Do not use the product in the presence of flammable or explosive gas.
- The product is not waterproof. Please keep away from rain, snow and high humidity conditions.
- Do not expose the product to high temperature over 45°C (e.g. left in a car trunk).
- Do not clean the product with organic solvent or alcohol-based liquid.
- Keep the product out of the reach of children.
- Consult local authorities on the proper disposal or recycling of a battery.

Declaration of Conformity USA

For WTR-2

Product name: Wireless Timer Remote Shutter Release Transmitter Trade name: AODELAN Model number: WTR-2(T) FCC ID: 2AEJW-WTR2 Manufacturer: Shenzhen Aodelan Technology Co., Ltd.	Product name: Wireless Timer Remote Shutter Release Receiver Trade name: AODELAN Model number: WTR-2(R) Manufacturer: Shenzhen Aodelan Technology Co., Ltd.
---	--

For TRS-1

Product name: Timer Remote Shutter Release Trade name: AODELAN Model number: TRS-1 Manufacturer: Shenzhen Aodelan Technology Co., Ltd.

FCC Statement

This equipment has been tested and found to comply with the limits for a Class B digital device, pursuant to part 15 of the FCC Rules. These limits are designed to provide reasonable protection against harmful interference in a residential installation. This equipment generates, uses and can radiate radio frequency energy and, if not installed and used in accordance with the instructions, may cause harmful interference to radio communications. However, there is no guarantee that interference will not occur in a particular installation. If this equipment does cause harmful interference to radio or television reception, which can be determined by turning the equipment off and on, the user is encouraged to try to correct the interference by one or more of the following measures:

- Reorient or relocate the receiving antenna.
- Increase the separation between the equipment and receiver.
- Connect the equipment into an outlet on a circuit different from that to which the receiver is connected.
- Consult the dealer or an experienced radio/TV technician for help.

Caution: Any changes or modifications to this device not explicitly approved by manufacturer could void your authority to operate this equipment.

This device complies with part 15 of the FCC Rules. Operation is subject to the following two conditions: (1) This device may not cause harmful interference, and (2) this device must accept any interference received, including interference that may cause undesired operation.

RF Exposure Information

The device has been evaluated to meet general RF exposure requirement. The device can be used in portable exposure condition without restriction.

CAUTION

RISK OF EXPLOSION IF BATTERY IS REPLACED BY AN INCORRECT TYPE. DISPOSE OF USED BATTERIES ACCORDING TO THE INSTRUCTIONS.

RED 2014/53/EU

Declaration of Conformity EC

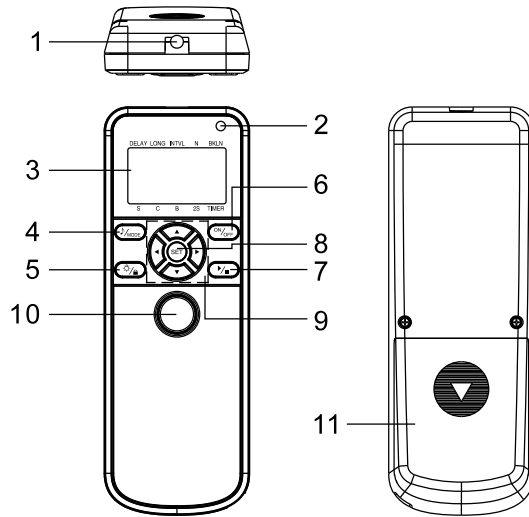
Hereby, **Shenzhen Aodelan Technology Co., Ltd.** declares that this product is in compliance with essential requirements and other relevant provisions of Directive 2014/53/EU. This product can be used across EU member states. A copy of the Declaration of conformity can be found at www.aodelan.net.



Parts

Timer WTR-2(T) or TRS-1

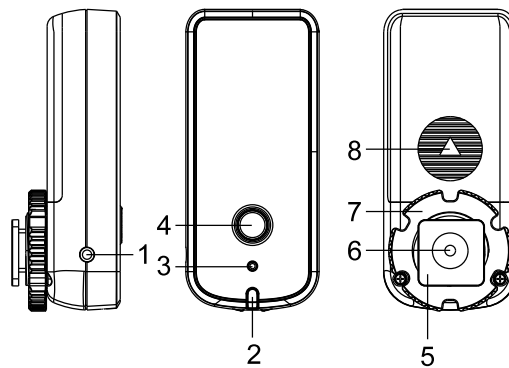
- 1. Cable Port
- 2. Function LED
- 3. LCD Display
- 4. Sound / Mode Button
- 5. Backlight / Lock Button
- 6. Power Button
- 7. Play / Stop Button
- 8. Set Button
- 9. Adjustment buttons
- 10. Shutter Button
- 11. Battery Door



Receiver WTR-2(R)

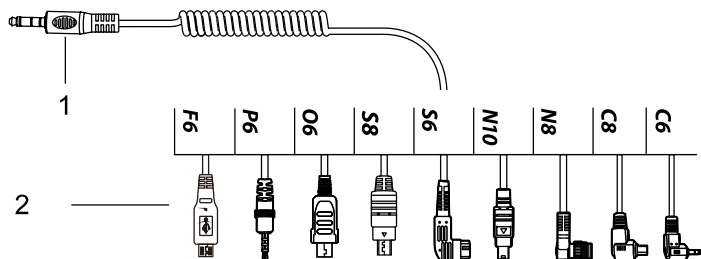
**Only works with WTR-2(T)*

- 1. Cable Port
- 2. Function LED
- 3. Code Setting Button
- 4. Power Button
- 5. Cold Shoe
- 6. 1/4"-20 Mounting Lug
- 7. Locking Ring
- 8. Battery Door



Shutter Release Cable

- 1. 2.5mm Input Plug
- 2. Camera Interface Plug



Inserting batteries into WTR-2(T) / WTR-2(R) or TRS-1

- 1. Press the battery cover in while pushing it away from the unit. The battery cover will slide open.
- 2. Remove the battery cover.
- 3. Insert AAA batteries.
- 4. Replace the battery cover and push back into the locked position.

Turning WTR-2(T) / WTR-2(R) or TRS-1 on/off

- 1. To turn on the unit – press the Power Button.
- 2. To turn off the unit – press the Power Button.
- 3. The Timer WTR-2(T) or TRS-1 will beep and images will appear on the LCD screen when the unit powers on.
- 4. The Receiver WTR-2(R)'s LED will flash green then red when the unit powers on. The LED will continue to flash green when the unit is on.

Turning the sound on/off for WTR-2(T) or TRS-1

- 1. By default sounds on the Timer WTR-2(T) or TRS-1 unit are on. You will hear audible beeps when it is first powered on, when starting and stopping programs or when a photo is taken.

2. When the sound function is enabled a musical symbol is visible on the LCD.
3. To disable sound press and hold the Sound/Mode Button until the sound symbol disappears.

Using the Backlight on WTR-2(T) or TRS-1

1. Use the Backlight to illuminate the LCD screen.
2. Press and release the Backlight / Lock Button, the backlight will illuminate the LCD for approximately 10 seconds before turning off automatically.

Using the Lock Button on WTR-2(T) or TRS-1

1. The Lock Button disabled all buttons. This can be useful when running a long multiple exposure program.
2. Press and hold the Backlight / Lock Button. A lock symbol will appear on the LCD. No buttons will function after the unit is locked.
3. To disengage: Press and hold the Backlight / Lock Button again until the lock symbol disappears.

The Wireless Signal Strength Indicator on WTR-2(T)

1. The Wireless Signal Strength Indicator on the LCD shows the signal strength between the Timer WTR-2(T) and Receiver WTR-2(R) if the WTR-2 system is being used wirelessly.
2. Use this as an indication of range – when the Timer and Receiver are within range the three bar icon will appear on the LCD.
3. When the Timer and Receiver are not in range the three bar icon will not appear.

*TRS-1 has no radio function, so the Wireless Signal Strength Indicator is not available on its LCD.

Function LEDs on WTR-2(T) / WTR-2(R) or TRS-1

The Function LED on the Timer WTR-2(T) or TRS-1 will:

1. Turn green when focusing.
2. Turn red when a photo is taken.

The Function LED on the Receiver WTR-2(R) will:

1. Flash green when the Receiver is powered on.
2. Turn to a solid green when a focus signal is received from WTR-2(T).
3. Turn red when a photo is taken.

Connecting WTR-2(T) / WTR-2(R) or TRS-1 to a camera

1. Turn off the unit and camera.
2. Attach a compatible Shutter Release Cable to WTR-2(T) / WTR-2(R) or TRS-1.
3. Attach the other end to camera's remote port.
4. Turn on the unit and camera.

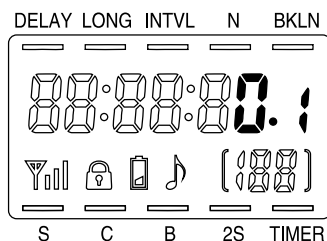
Disconnecting WTR-2(T) / WTR-2(R) or TRS-1 from the camera

1. Turn off the unit and camera.
2. Remove the Shutter Release Cable from the camera's remote port.
3. Remove the Shutter Release Cable from the unit.

Using the Timer

Aodelan WTR-2 or TRS-1 has two modes:

Shutter release modes and **Timer mode**.



*The Wireless Signal Strength Indicator is not available on TRS-1's LCD.

Changing modes on WTR-2(T) or TRS-1

Press the Sound/Mode Button to cycle between modes. A small indicator line will appear on the LCD over the selection. The modes are:

S: Shutter Release. A half-press of the Stutter Button will focus, a full press will open the shutter. The LED on the Timer and Receiver will light green when focus is achieved.

C: Continuous. A half-press of the Stutter Button will focus, a full press will open the shutter and take five photos. The LED on the Timer and Receiver will light red as the images are recorded. Holding the Stutter Button will result in more photos being recorded, in groups of 5.

B: Bulb. A half-press of the Stutter Button will focus, a full press will open the shutter and lock it. The LCD screen on the timer will begin to time the exposure. The LED on the Timer and Receiver will light red. To stop the exposure fully press the Stutter Button to close the shutter.

2S: 2 Second. A half-press of the Stutter Button will focus, a full press will take a photo after a two second delay. The LED on the Timer will flash green while the 2 second delay is underway and red when the image is recorded.

TIMER. Gives access to the timer mode functions.

Timer Mode

Using Timer mode

1. To access the timer mode press the Sound/Mode Button until Timer is selected on the LCD.
2. With Timer selected you have access to the following timer functions:

DELAY: Delayed Exposure. A self-timer before a photo is taken.

LONG: Long Exposure. A programmable long exposure for cameras B Bulb Mode. The shutter will stay open for the time programmed into the timer.

INTVL: Interval. The timer will take photos at the time intervals programmed into the timer.

N: Number. The number of exposures the timer will shoot during the current program (-- being unlimited, 199 being programmable maximum.)

BKLN: Bracketed Long Exposure. Useful for low-light multiple exposure HDR images.

Setting the timer

1. Press the left or right Adjustment Buttons to select DELAY, LONG, INTVL, N, BKLN. A small indicator line will appear on the LCD under the selection.
2. Press the Set Button to edit the time.
3. The up and down Adjustment Buttons will change the time.
4. The left and right Adjustment Buttons will move from hours, minutes, seconds, and part seconds. The left and right Adjustment Buttons will also move to the next or previous timer function.

* The **DELAY**, **LONG**, **INTVL** and **N** functions can be used together. A program using one or all of these functions can be created.

Starting and Stopping the Timer

1. Pressing the Play / Stop Button will start programmed timer functions.
2. Pressing the Play / Stop Button will stop a running program.

The BKLN Function

The Bracketed Long Exposure function allows a group of photos to be taken at automatically exponentially changing exposure times.

1. Set the camera to B Bulb mode.
2. Selected **BKLN** in the timer mode.
3. Press the Set Button and the up arrow Selection Button to turn on **BKLN** mode on.
4. Set your long exposure time under the **LONG** timer mode.
5. Set the number of exposures under the **N** timer mode. The number of exposures can be set from 1 to 7.
6. Pressing the Play / Stop Button will start the program.

The AODELER Timer will double the exposure time (one stop) set under the LONG setting for each of the number of frames set under the N setting.

Example:

LONG time set to .5 second.

N set to 5

Starting **BKLN** program you would get the following with the above settings.

Image 1: .5 second

Image 2: 1 second

Image 3: 2 seconds

Image 4: 4 seconds

Image 5: 8 seconds

When using this function for HDR images a little math work is required. If the proper exposure is 2 seconds and a group of 5 images are being recorded the fastest exposure, .5 second, needs to be entered on the Timer WTR-2(T) or TRS-1. Images will be recorded based on the first exposure time entered and counted forward. Unlike bracketed exposures on a camera AODELAN WTR-2 or TRS-1 will not shoot faster then slower images.

Setting the Smart Code

The frequency of transmitter and receiver will be pre-set in production. You can use the timer instantly. To reset the smart code, please follow the procedures:

1. Turn on the transmitter and receiver.
2. Use a needle-like object to press into the code setting button on receiver, which will cause the LED on receiver to flash red and green light alternately for 25s. Press the shutter button on transmitter to reset the code during the code setting mode. When the code is successfully set, the LED on receiver will get back to normal mode, flashing green light.

Note: A transmitter can control multiple receivers simultaneously. A receiver can receive signal from one transmitter only.

Technical Specifications

Batteries: 2 x AAA batteries

Storage Temperature: -10 °C to 60 °C

Standby Timer: 48 Hours

Timer WTR-2(T)

Frequency: 2.4 GHz

Range: 60 meter

Working voltage: 3.0 V

Size: Approx. 130 x 46 x 22 mm (5.1 x 1.8 x 0.9 in)

Weight: Approx. 56.5g (2.0 oz) (without batteries)

Timer TRS-1

Working voltage: 3.0 V

Size: Approx. 130 x 46 x 22 mm (5.1 x 1.8 x 0.9 in)

Weight: Approx. 56.5g (2.0 oz) (without batteries)

Receiver WTR-2(R)

Working voltage: 3.0 V

Size: Approx. 85 x 37 x 31 mm (3.3 x 1.5 x 1.2 in)

Weight: Approx. 37.5 g (1.3 oz) (without batteries)

Specifications and design are subject to change without notice.

FCC Statement

This equipment has been tested and found to comply with the limits for a Class B digital device, pursuant to part 15 of the FCC Rules. These limits are designed to provide reasonable protection against harmful interference in a residential installation. This equipment generates, uses and can radiate radio frequency energy and, if not installed and used in accordance with the instructions, may cause harmful interference to radio communications. However, there is no guarantee that interference will not occur in a particular installation. If this equipment does cause harmful interference to radio or television reception, which can be determined by turning the equipment off and on, the user is encouraged to try to correct the interference by one or more of the following measures:

- Reorient or relocate the receiving antenna.
- Increase the separation between the equipment and receiver.
- Connect the equipment into an outlet on a circuit different from that to which the receiver is connected.
- Consult the dealer or an experienced radio/TV technician for help.

Caution: Any changes or modifications to this device not explicitly approved by manufacturer could void your authority to operate this equipment.

This device complies with part 15 of the FCC Rules. Operation is subject to the following two conditions: (1) This device may not cause harmful interference, and (2) this device must accept any interference received, including interference that may cause undesired operation.

RF Exposure Information

The device has been evaluated to meet general RF exposure requirement. The device can be used in portable exposure condition without restriction.



www.aodelan.net

Shenzhen Aodelan Technology Co.,Ltd.



Printed in China