




Power Mac G5

User's Guide

Includes setup, expansion, and
troubleshooting information for
your Power Mac G5 computer

 Apple Computer, Inc.
© 2005 Apple Computer, Inc. All rights reserved.

Under the copyright laws, this manual may not be copied, in whole or in part, without the written consent of Apple.

The Apple logo is a trademark of Apple Computer, Inc., registered in the U.S. and other countries. Use of the "keyboard" Apple logo (Option-Shift-K) for commercial purposes without the prior written consent of Apple may constitute trademark infringement and unfair competition in violation of federal and state laws.

Every effort has been made to ensure that the information in this manual is accurate. Apple is not responsible for printing or clerical errors.

Apple
1 Infinite Loop
Cupertino, CA 95014-2084
408-996-1010
www.apple.com

Apple, the Apple logo, AirPort, Apple Store, AppleShare, AppleTalk, DVD Studio Pro, Final Cut Pro, FireWire, iCal, iChat, iLife, iMovie, iPod, iTunes, Mac, Mac OS, Macintosh, and Power Mac are trademarks of Apple Computer, Inc., registered in the U.S. and other countries.

AirPort Express, Finder, the FireWire logo, iDVD, Safari, SuperDrive, and Tiger are trademarks of Apple Computer, Inc.

AppleCare is a service mark of Apple Computer, Inc., registered in the U.S. and other countries.

.Mac is a service mark of Apple Computer, Inc.

ENERGY STAR is a U.S. registered trademark.

PowerPC and the PowerPC logo are trademarks of International Business Machines Corporation, used under license therefrom.

The Bluetooth word mark and logos are owned by the Bluetooth SIG, Inc. and any use of such marks by Apple Computer, Inc. is under license.

GeForce is a trademark of NVIDIA Corporation

This product includes software developed by the University of California, Berkeley, and its contributors.

Other company and product names mentioned herein are trademarks of their respective companies. Mention of third-party products is for informational purposes only and constitutes neither an endorsement nor a recommendation. Apple assumes no responsibility with regard to the performance or use of these products.

Simultaneously published in the United States and Canada.

Contents

Chapter 1	5 Getting Started
	5 Positioning the Computer and Display
	6 Setting Up
	10 Adjusting Your Display
	10 Need Help?
	11 What's Next?
	12 What to Do When You Have Finished Working
	14 Getting to Know Your Computer
	16 Ports and Connectors—Expanding Your Computer's Capabilities
	18 Inside Your Power Mac G5—Your Computer's Internal Expansion Options
Chapter 2	21 Using Your Computer
	22 Using Your Apple Keyboard
	23 Using Your Apple Mouse
	23 Connecting Displays, Televisions, and Video Devices
	26 Using Universal Serial Bus (USB)
	28 Using FireWire
	30 Using Audio Devices
	31 Using Your Optical Drive
	34 Connecting to an Ethernet Network
	36 Using Your Modem
	36 Using AirPort Wireless Networking
	38 Using Bluetooth Wireless Technology
	40 Putting the Computer to Sleep to Save Energy
	41 Transferring Information Between Two Macintosh Computers
Chapter 3	43 Working Inside Your Computer
	44 Opening the Computer
	49 Installing Memory
	56 Installing Internal Storage Devices
	64 Installing a PCI Expansion Card or Replacing the AGP Card
	68 Installing an AirPort Extreme Card
	69 Replacing the Battery

Chapter 4	71 Troubleshooting
	73 Software Problems
	74 Problems With Your Display
	75 Using Apple Hardware Test
	76 Reinstalling the Software That Came With Your Computer
	77 Maximizing Ethernet Performance
	77 Locating Your Product Serial Number
Appendix A	79 Specifications
Appendix B	85 Safety, Maintenance, and Ergonomics
	85 Important Safety Information
	87 General Maintenance
	88 Important Ergonomic and Health-Related Information
Appendix C	91 Connecting to the Internet
	93 Gathering the Information You Need
	94 Entering Your Information
	94 Dial-Up Connection
	97 DSL, Cable Modem, or LAN Internet Connections
	102 AirPort Wireless Connection
	105 Troubleshooting Your Connection
	107 Communications Regulation Information
Index	113

Congratulations on purchasing your new high-performance Power Mac G5 computer. This chapter contains instructions for setting up your computer and display.

Your Power Mac G5 features the latest computer technology, including an advanced 64-bit processor, high-speed memory, an AGP 8X Pro graphics card for stunning visuals, and Serial ATA internal storage, all in an anodized aluminum chassis with easy access to internal components.

Positioning the Computer and Display

Pick up the computer by both of its handles using correct lifting techniques. If your display is heavy, use correct lifting techniques when positioning it as well. Position the computer and display so that:

- They are on sturdy, flat surfaces
- The power cable connectors don't press against a wall or other object
- The airflow in front of, behind, or below the display or computer is not obstructed
- The computer's optical drive tray has space to open in front

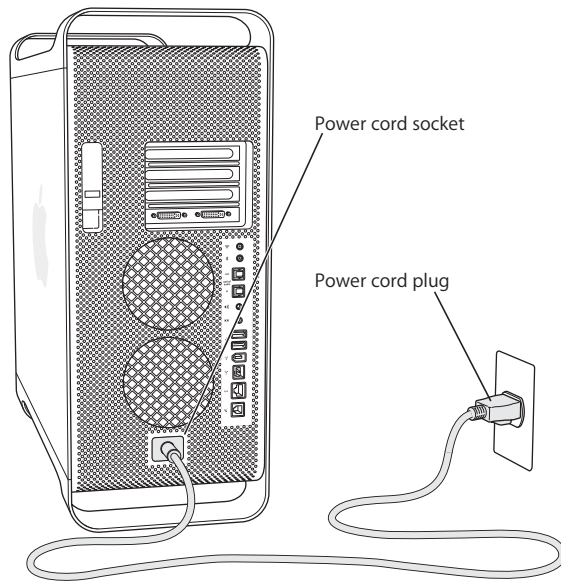
Warning: Apple recommends that you operate your Power Mac G5 in an upright position with the side panel in place. The computer does not operate properly when it is placed on its side or when the side panel is removed.

The only way to shut off power completely to your computer and display is to disconnect their power plugs from the power source. Make sure the power cords for your computer and display are within easy reach so that you can unplug the computer or display when you need to.

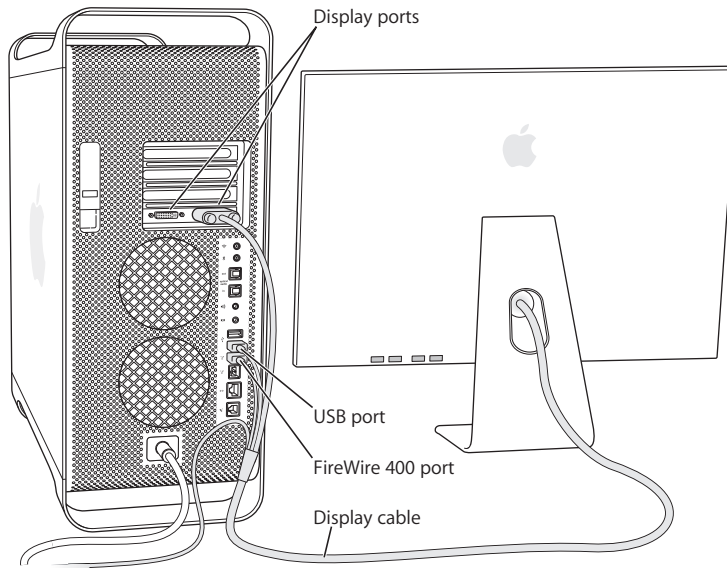
Setting Up

Your Power Mac G5 is designed so you can set it up quickly and start using it right away.

- 1 Remove any protective film from the outside of your computer and from the inside of the side panel. For instructions about opening the side panel, see “Opening the Computer” on page 44.
- 2 Plug the power cord firmly and completely into the recessed power cord socket on the back of the computer and plug the other end into a grounded outlet or power strip.



- 3 Connect your display cables according to the following illustration. Depending on your display, you may have one or more cables to connect. Check the instructions that came with the display for further setup information.



You can connect two displays to the video card in your computer.

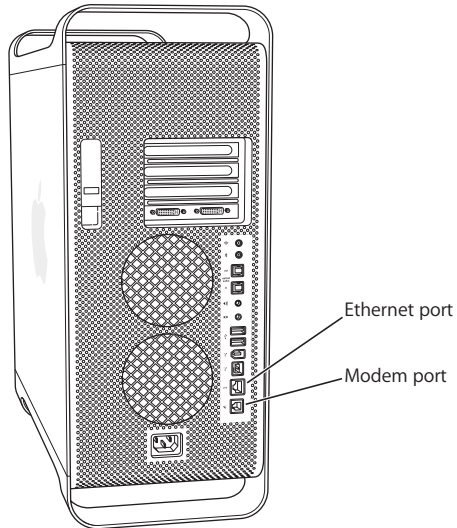


If your graphics card has two DVI ports, you can also connect displays with an Apple Display Connector (ADC), a video graphics array (VGA) connector, or connect a video device using one of the following display adapters:

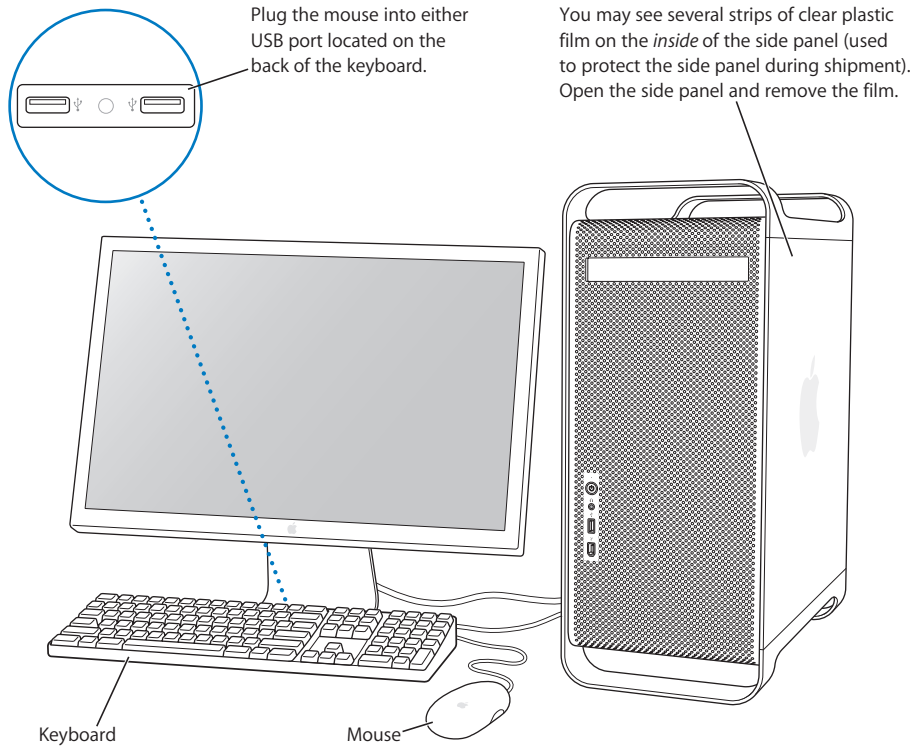
- To connect a VGA display, use a DVI to VGA adapter (supplied with your computer) to connect the display to the DVI port.
- To connect an ADC display, use a DVI to ADC adapter (not included) to connect the display to the DVI port.
- To connect a television, VCR, or other video device, use a DVI to Video adapter (not included) to connect the device to the DVI port (see “Connecting a Television, VCR, or Other Video Device” on page 25).

For more information about connecting a display, see the guidelines in Chapter 2, “Using Your Computer.”

- 4 To access the Internet or a network, connect your computer to a DSL or cable modem, or to an Ethernet network. If you have a modem, connect your modem to an analog phone line.



- 5 Connect the keyboard cable to one of the USB ports (⌘) on the computer or on your display. Plug the mouse cable into a USB port on the keyboard.



Note: If the keyboard cable is not long enough to reach a USB port on your computer, you can use the keyboard extension cable that came with your computer.



Apple keyboard extension cable

- 6 Turn on your computer by pressing the power button (⏻) on the front. With some Apple displays, you can also turn on the computer using the display's power button. If your display must be turned on separately, turn it on by pressing its power button.

Using a Wireless Keyboard and Mouse

If you purchased an Apple Wireless Keyboard and Apple Wireless Mouse with your Power Mac G5, connect the Bluetooth antenna that came with your computer to the Bluetooth antenna port (⌘) on the back of your Power Mac G5. Follow the instructions that came with the keyboard and mouse to set them up with your computer.

Adjusting Your Display

To adjust the settings for your display, choose Apple (🍏) > System Preferences and click Displays.

For information about troubleshooting your display, see “Problems With Your Display” on page 74. For information about maintaining your display, see “Maintaining Your Display” on page 88. Additional information about using your display is available in Mac Help.

Need Help?

If you don't see anything on your screen or you think your computer did not start up properly, check these items:

- Is the computer plugged into a power source? If it is plugged into a power strip, is the power strip turned on?
- Is the power cord securely plugged into the back of the computer?
- Are the keyboard and display cables connected correctly?
- Is the display turned on? Are the brightness and contrast controls on the display adjusted correctly? If your display has brightness and contrast controls, adjust them.
- Restart your computer. Press and hold the computer's power button for approximately 5 seconds until the computer turns off. Press it again to turn the computer on.
- If you see a blinking question mark on the screen or see a series of flashes from the status light when you turn on the computer, see Chapter 4, “Troubleshooting,” on page 71.

What's Next?

You've done everything you need to get your Power Mac G5 up and running. The first time you turn on your computer, the Setup Assistant starts. The Setup Assistant helps you enter your Internet and email information and set up an account on your computer. If you have another Mac, the Setup Assistant can also help you transfer files, applications, and other information from your old Mac to your new Power Mac G5.

Transferring Information to Your Power Mac G5

You can use the Setup Assistant to automatically transfer information from another Mac to your new Power Mac G5. To transfer information, make sure of the following:

- Your other Mac must have built-in FireWire and support FireWire Disk Mode.
- Your other Mac must have Mac OS X v10.1 or later installed.
- You must have a FireWire cable to connect the two computers.

The Setup Assistant takes you through the process of transferring your information—just follow the onscreen instructions. Transferring information to your Power Mac G5 does not affect the information on your other Mac. You can transfer:

- User accounts, including preferences and email
- Network settings, so your new computer is automatically set up to work with the same network settings as your other Mac
- The Applications folder, so that all of the applications you used on your other Mac are now on your new Power Mac G5 (you may have to reinstall some of the applications you transfer)
- Files and folders stored on your hard disk

If you don't use the Setup Assistant to transfer information when you first start up your Power Mac G5, you can do it later using the Migration Assistant. Open the Applications folder, open Utilities, and double-click the Migration Assistant icon.

Note: If you transfer information later using the Migration Assistant, make sure File Vault is turned off on the older computer. To turn off File Vault, choose Apple () > System Preferences, click Security, and follow the onscreen instructions.

Setting Up Your Power Mac G5 for the Internet

If you didn't transfer your user account and network settings information, the Setup Assistant takes you through the process of configuring your computer and setting it up for the Internet. For home users, Internet access requires an account with an Internet service provider (ISP). Fees may apply. If you have an Internet account, see Appendix C, "Connecting to the Internet," on page 91 for information you'll need to enter.

What to Do When You Have Finished Working

When you have finished working with your Power Mac G5, you can put your computer to sleep or shut it down.

Putting Your Power Mac G5 to Sleep

If you will be away from your Power Mac G5 for only a short time, put the computer to sleep. When the computer is in sleep, the display's screen is dark. You can quickly wake the computer from sleep and bypass the startup process.

To put the computer to sleep quickly, do one of the following:

- Choose Apple () > Sleep.
- Press the power button on the front of your Power Mac G5.
- Choose Apple () > System Preferences, click Energy Saver, and set a sleep timer.

To wake your computer from sleep, do one of the following:

- Press any key on the keyboard.
- Click the mouse.

For more information on sleep, see "Putting the Computer to Sleep to Save Energy" on page 40.

Shutting Down Your Power Mac G5

If you will not use your Power Mac G5 for a day or two, you should turn it off.

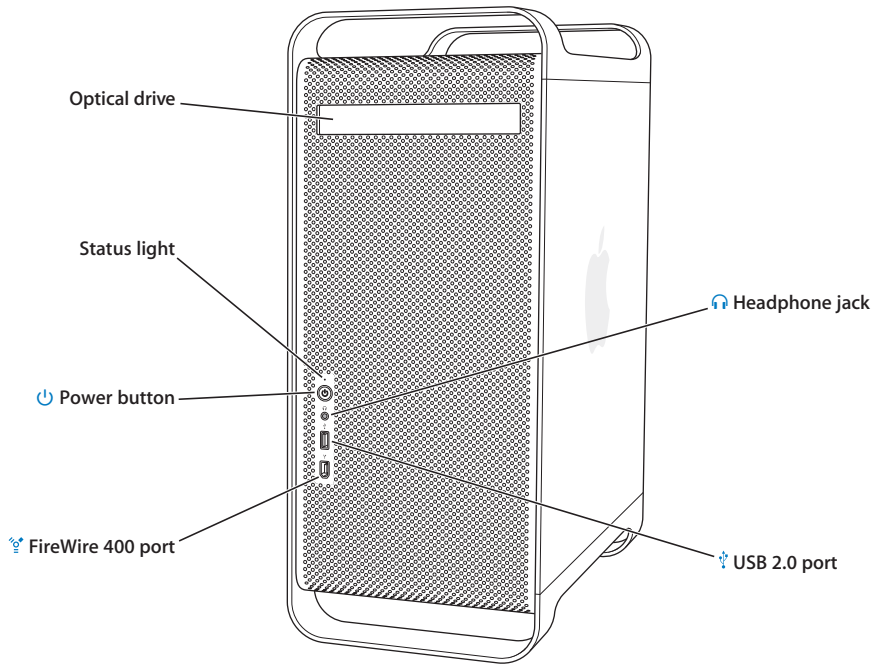
To turn off your computer:

- Choose Apple (🍏) > Shut Down.

Warning: Do not turn off the computer by turning off the switch on a power strip or by pulling out the computer's power plug (unless you can't turn off the computer any other way). Your files or system software could be damaged if your computer is not shut down properly.

Warning: Shut down your Power Mac G5 before moving it. Moving your computer while the hard disk is spinning can damage the hard disk, causing loss of data or the inability to start up from the hard disk.

Getting to Know Your Computer



Optical drive

Your computer has a DVD-ROM/CD-RW Combo drive or a DVD+R DL/DVD±RW/CD-RW SuperDrive. Each drive can read CD-ROM discs, photo CDs, standard audio discs, and other kinds of media. The Combo drive can also read DVD discs and DVD movies and can write music, documents, and other digital files to CD-R and CD-RW discs. In addition to those files, the SuperDrive can also read and write to DVD±R, DVD±RW, and DVD+R Double Layer (DL) discs.

To open the optical drive, press the Media Eject (⏏) key on your Apple Keyboard.

Status light

A white light indicates that the computer is on; a pulsing light indicates the computer is in sleep.



Power button

Press this button to turn on your Power Mac G5, put it to sleep, or wake it from sleep. To restart your computer, press and hold this button for approximately 5 seconds until the computer turns off, then press it again to turn the computer on.

With some Apple displays, you can also touch or press the display's power button to turn the computer on or put it to sleep.



FireWire 400 port

Connect your Macintosh to FireWire devices, including an iPod, digital videocameras, and hard disk drives. FireWire provides high-speed data transfer for them all. The FireWire 400 port supports data rates of 100, 200, and 400 megabits per second (Mbps).



Headphone jack

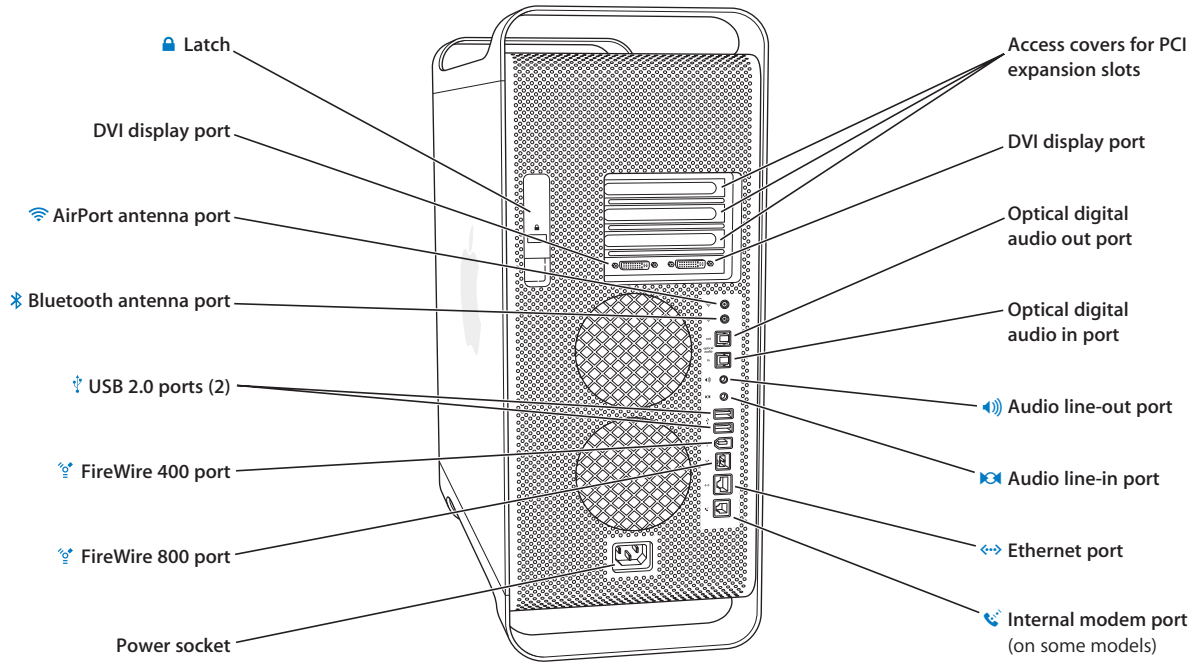
Connect headphones to your Macintosh through the headphone jack. When a plug is inserted into the headphone jack, the built-in speaker is muted.






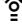






USB 2.0 port

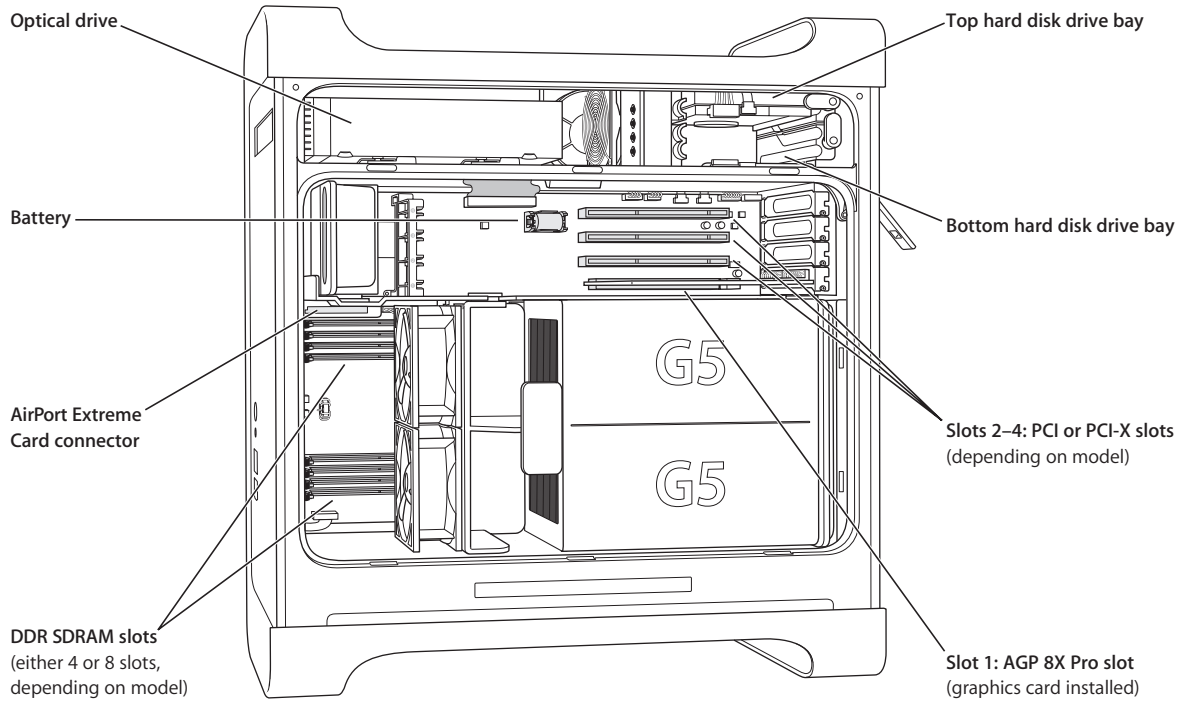
Connect your Macintosh to USB devices, such as keyboards, mice, printers, scanners, speakers, USB microphones, and USB hubs. Your display may also have USB ports.

Ports and Connectors—Expanding Your Computer's Capabilities



-
-  **Latch**
Lift the latch to open the side panel and access the internal components in your Power Mac G5. You can also attach a security lock to the latch to secure the internal components.
 -  **DVI display port**
Connect displays that use a Digital Visual Interface (DVI) connector. You can connect displays that use a video graphics array (VGA) connector with the DVI to VGA Adapter that came with your computer.
 -  **AirPort Extreme antenna port**
Connect the AirPort Extreme antenna to this port if your Macintosh has an optional AirPort Extreme Card installed.
 -  **Bluetooth antenna port**
Connect the small cylindrical Bluetooth® antenna that came with your computer if your Power Mac G5 has an optional Bluetooth module installed.
 -  **USB 2.0 ports**
Connect your Macintosh to USB devices, such as keyboards, mice, printers, scanners, speakers, USB microphones, and USB hubs. Your Apple Keyboard and your display may also have USB ports.
 -  **FireWire 400 and 800 ports**
The FireWire 400 port supports data rates of 100, 200, and 400 Mbps. The FireWire 800 port supports data rates of 100, 200, 400, and 800 Mbps.
 - Power socket**
Connect the computer's power cord.
 - Access covers for PCI expansion slots (3)**
Expand your Macintosh by installing up to three Peripheral Component Interconnect (PCI) cards in the covered slots labeled 2, 3, and 4.
 - Optical digital audio out port**
Connect your Macintosh to a receiver or other digital audio devices.
 - Optical digital audio in port**
Connect your Macintosh to digital audio devices, such as CD players and minidisc players.
 -  **Analog audio line-out port**
Connect self-powered MP3, CD, and other audio equipment to your Macintosh.
 -  **Analog audio line-in port**
Connect self-powered microphones and other audio equipment to your Macintosh.
 -  **10/100/1000 twisted-pair Ethernet port**
Connect your Macintosh to a high-speed Ethernet network to access the Internet or network resources such as printers and servers, and share information over the network.
 -  **Internal modem port**
Connect a standard phone line if your Macintosh has an optional internal 56K V.92 modem.
-

Inside Your Power Mac G5—Your Computer's Internal Expansion Options



Optical drive

Your computer comes with a DVD-ROM/CD-RW Combo drive or a DVD+R DL/DVD±RW/CD-RW SuperDrive. For information about the optical drive, see “Using Your Optical Drive” on page 31.

Battery

Your computer uses a battery that you rarely need to replace. If your computer has trouble starting up, or the system date and time are frequently incorrect, you may need to replace the battery. For more information, see “Replacing the Battery” on page 69.

AirPort Extreme Card connector

Connect an AirPort Extreme Card, which allows your computer to communicate with a network wirelessly. For more information, see “Installing an AirPort Extreme Card” on page 68.

DDR SDRAM slots

Depending upon the model, your computer has 4 or 8 DDR SDRAM slots. You can add additional memory by inserting DDR SDRAM DIMMs in pairs in the memory slots. For more information, see “Installing Memory” on page 49.

Hard disk drive bays

Your computer comes with a hard disk drive installed in the top hard disk drive bay. You can install an additional hard disk drive in the bottom hard disk drive bay. You can have up to two Serial ATA drives in the computer. For more information, see “Installing Internal Storage Devices” on page 56.

PCI or PCI-X slots

Depending upon the model, your computer has PCI or PCI-X expansion slots, for a total of three slots. You can install PCI cards in slots 2 through 4 to expand your computer’s capabilities. For more information, see “Installing a PCI Expansion Card or Replacing the AGP Card” on page 64.

AGP 8X Pro slot

Connect your display through the card in the advanced graphics port (AGP) 8X Pro slot, which provides accelerated graphics processing power. For more information, see “Connecting Displays, Televisions, and Video Devices” on page 23 or “Installing a PCI Expansion Card or Replacing the AGP Card” on page 64.

Additional Information

If you would like additional information, see the following:

To learn about...	See...
Shutting down your computer or putting it to sleep	"What to Do When You Have Finished Working" on page 12.
Using a specific hardware feature of your Power Mac G5	Chapter 2, "Using Your Computer," on page 21.
Installing additional drives, memory, and cards, or changing the battery	Chapter 3, "Working Inside Your Computer," on page 43.
Troubleshooting your computer if you have a problem	Chapter 4, "Troubleshooting," on page 71.
Installing Mac OS 9 to use Mac OS 9 applications with your computer	"Installing Mac OS 9" on page 77.
Connecting your computer to the Internet	Appendix C, "Connecting to the Internet," on page 91.

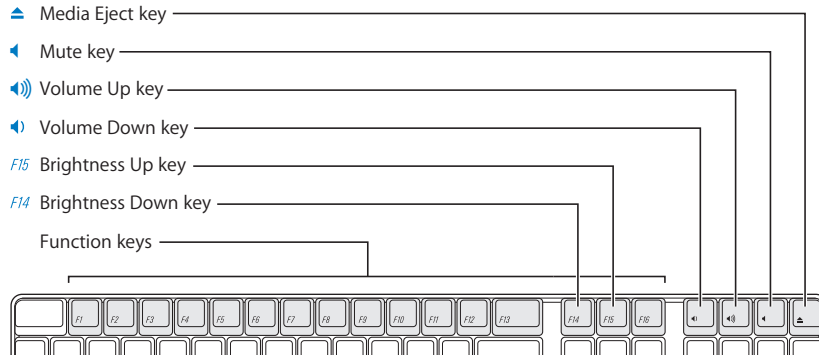
This chapter provides instructions for using the important features of your Power Mac G5 computer, including your keyboard, mouse, FireWire, USB, audio, Bluetooth wireless technology, and networking.

Explanations are provided for:

- “Using Your Apple Keyboard” on page 22
- “Using Your Apple Mouse” on page 23
- “Connecting Displays, Televisions, and Video Devices” on page 23
- “Using Universal Serial Bus (USB)” on page 26
- “Using FireWire” on page 28
- “Using Audio Devices” on page 30
- “Using Your Optical Drive” on page 31
- “Using Your Modem” on page 36
- “Connecting to an Ethernet Network” on page 34
- “Using AirPort Wireless Networking” on page 36
- “Using Bluetooth Wireless Technology” on page 38
- “Transferring Information Between Two Macintosh Computers” on page 41

Using Your Apple Keyboard

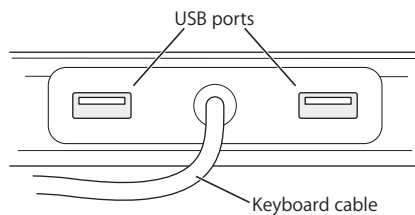
Your Apple Keyboard comes with function keys preset for common tasks. Press the Media Eject (\triangle) key to eject discs from the optical drive. Press the Volume Up or Volume Down keys to adjust the sound level or press the Mute key to turn sound on or off. Use the Brightness Up and Brightness Down keys to adjust the level of brightness on an Apple display.



Note: Press the F12 key on a non-Apple keyboard to eject optical discs.

The Apple Keyboard has two Universal Serial Bus (USB) 1.1 ports. You can plug your mouse cable or other USB devices in the USB ports at the back of the keyboard.

If you purchased an Apple Wireless Keyboard with your Power Mac G5, connect the Bluetooth antenna that came with your computer to the Bluetooth antenna port on the back of your computer. Follow the instructions that came with your keyboard for more information.



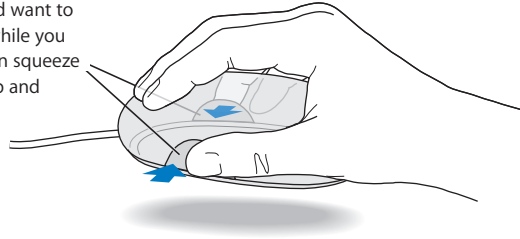
For More Information About Your Keyboard

Additional information about your keyboard is available in Mac Help. Choose Help > Mac Help and search for "keyboard."

Using Your Apple Mouse

Your Apple Mouse uses optical tracking. To position the pointer using your mouse, move the mouse over any suitable surface such as your desktop, mouse pad, or other textured surface. (Some smooth, glassy surfaces provide less pointer control than others.) To click an object, press down once on the mouse body until you feel a click. To double-click an item, press down twice in quick succession.

If you run out of room and want to keep the mouse clicked while you lift it, click the mouse, then squeeze the sides with your thumb and fingers as you lift.



Note: If you purchased an Apple Wireless Mouse with your Power Mac G5, connect the Bluetooth antenna that came with your computer to the Bluetooth antenna port on the back of your computer. Follow the instructions that came with your mouse for more information.

For More Information About Your Mouse

Additional information about your mouse is available in Mac Help. Choose Help > Mac Help and search for “mouse.”

Connecting Displays, Televisions, and Video Devices

You can connect two displays to your graphics card and use both displays at the same time. When a second display is connected, you can either have the same image appear on both displays (known as *mirroring*) or use the second display to extend the size of the Mac OS X desktop (known as *extended desktop mode*). You need the appropriate cable for each display you want to connect.

To use multiple displays:

- 1 Turn off the displays and shut down your computer.
- 2 Connect the video cable from each display to the port on the graphics card.
- 3 Turn on the displays and start up your computer.

To adjust the displays, choose Apple () > System Preferences and click Displays. By default, your computer starts up in extended desktop mode. To work in mirroring mode, choose Apple () > System Preferences, click Displays, and choose Mirroring.

Using the Ports on Your Graphics Card

The graphics cards used with the Power Mac G5 have unique ports with different capabilities. Use System Profiler to determine which graphics card is installed in your Power Mac G5.

To open System Profiler:

- 1 Choose Apple () > About This Mac.
- 2 Click More Info.
- 3 Select Graphics/Displays.

Use the guidelines in the table below to determine the type of ports on your graphics card.

Graphics card	Port 2	Port 1
ATI Radeon 9600	single-link DVI	single-link DVI TV out
ATI Radeon 9650	dual-link DVI	single-link DVI TV out
NVIDIA GeForce 6800 Ultra DDL	dual-link DVI TV out	dual-link DVI TV out
ATI Radeon X850 XT	dual-link DVI TV out	ADC



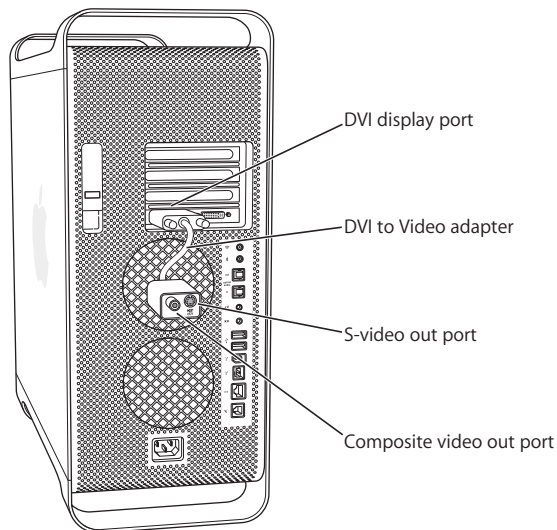
You can connect a video device using the DVI to Video Adapter to ports with TV-out capability. For more information, see “Connecting a Television, VCR, or Other Video Device” on page 25.

Connecting a Television, VCR, or Other Video Device

You can connect your Power Mac G5 to a television, VCR, projector, or other external video device using the DVI to Video Adapter. The DVI to Video Adapter is available from your Apple Authorized Reseller, an Apple retail store, or online from the Apple Store at www.apple.com/store.

To connect a video device:

- 1 Turn off the video device and shut down your computer.
- 2 Connect the DVI end of the DVI to Video Adapter to the DVI port that supports TV-out on your Power Mac G5 graphics card (see the table on page 24).
- 3 Connect the other end of the adapter to the Composite (RCA) video port or the S-video port on the TV, VCR, or projector.
- 4 Turn on the video device and start up your computer.
To adjust the image, choose Apple () > System Preferences and click Displays.



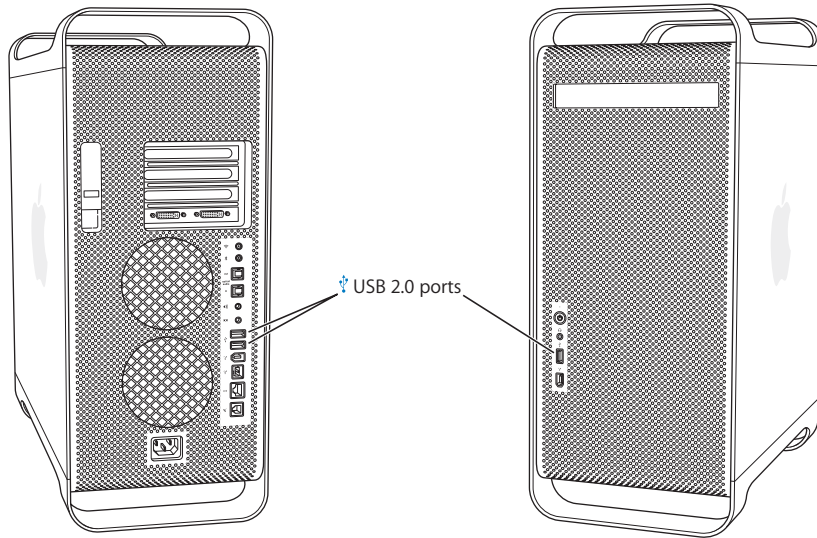
For More Information on Displays

For information about connecting your display, see the setup instructions in Chapter 1, "Getting Started."

Additional information on using and configuring an external display is available in Mac Help. Choose Help > Mac Help and search for "display."

Using Universal Serial Bus (USB)

Your Power Mac G5 comes with three USB 2.0 ports; one on the front and two on the back. Your Apple Keyboard also has two USB 1.1 ports. You can use USB ports to connect many types of external devices, including printers, scanners, digital cameras, microphones, game pads, joysticks, keyboards, mice, and storage devices. USB makes it easy to connect external equipment. In most cases, you can connect and disconnect a USB device while the computer is running. Once you connect the device, it is ready to use. You don't need to restart your computer.



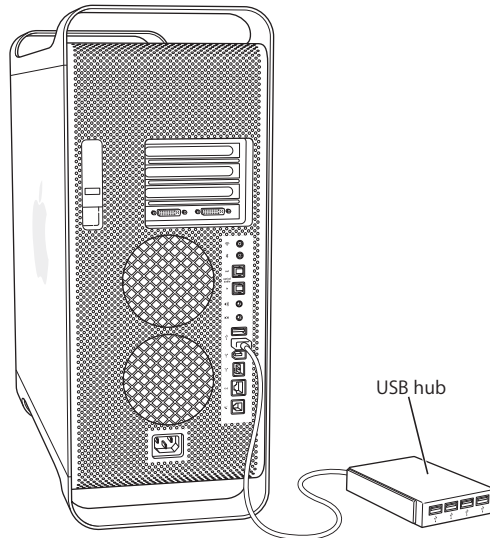
Using USB Devices

Apple has already included software to work with many USB devices. In most cases, you do not need to install the software that came with the device. When you connect a USB device, if your Power Mac G5 cannot find the correct software, you can either install the software that came with the device or contact the device manufacturer to locate, download, and install the correct software.

Connecting Multiple USB Devices

If you want to connect more than three USB devices, you can purchase a USB hub. The USB hub connects to an open port on your computer and provides additional USB ports (usually four or seven).

Note: To use certain USB devices, you may need a powered USB hub.



For More Information on USB

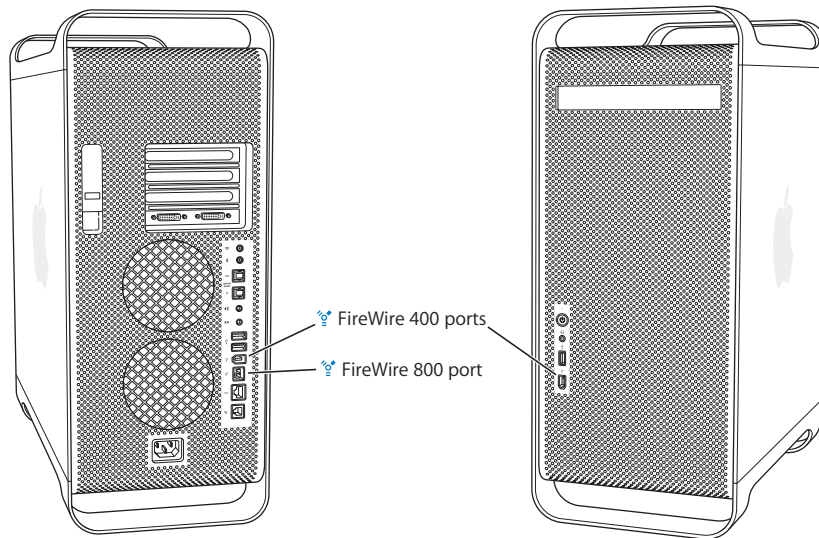
Additional information on USB is available in Mac Help. Choose Help > Mac Help and search for "USB." You can also find information on the Apple USB website at www.apple.com/usb.

For information on USB devices available for your computer, go to the Macintosh Products Guide at www.apple.com/guide.

Using FireWire

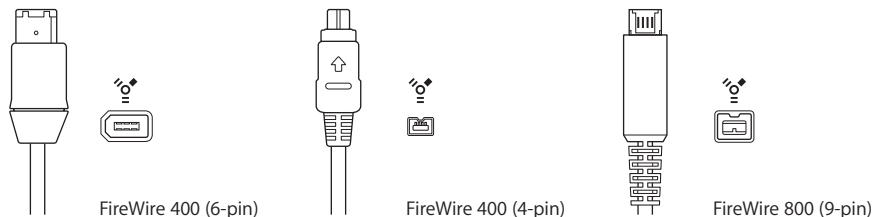
FireWire is a high-speed data transfer system that lets you easily connect and disconnect external devices—such as iPod, digital music players, digital video (DV) cameras, printers, scanners, and hard disk drives. You can connect and disconnect FireWire devices without restarting your computer. Your computer includes three external FireWire ports.

- Two FireWire 400 ports, one on the front and one on the back, support a maximum data rate of up to 400 megabits per second (Mbps).
- One high-speed FireWire 800 port on the back supports a maximum data rate of up to 800 megabits per second (Mbps).



The FireWire 800 port on your Power Mac G5 transfers data from 800 Mbps FireWire devices much faster than was possible before. This port has a 9-pin connector, and is compatible with original FireWire devices with 6-pin or 4-pin connectors.

With an appropriate cable, the 9-pin port works seamlessly with all FireWire devices. Cables are available for connecting the 9-pin port to 4-pin, 6-pin, and 9-pin devices.



Using FireWire Devices

With FireWire you can:

- Connect a FireWire digital videocamera and capture or transfer high-quality video directly to or from your computer. Then use video-editing software such as iMovie to edit the video.
- Connect an external FireWire hard disk drive to back up data or transfer files. A disk drive with the FireWire icon appears on your desktop after you connect the hard disk drive to your Power Mac G5. Some FireWire hard disk drives get their power through the FireWire cable, so you don't need to connect an external power supply.
- If you have a problem with your computer that prevents you from starting up or you want to transfer files, you can use FireWire to connect your Power Mac G5 to another computer so that your Power Mac G5 appears as an external hard disk on the other computer (a feature known as *FireWire Target Disk Mode*). See “FireWire Target Disk Mode,” next, for more information.

To use a FireWire device, connect the device to the computer and install any software that came with the device. Your computer automatically detects when you connect a new device.

To start up from a FireWire hard disk that has Mac OS X on it, choose Apple () > System Preferences, click Startup Disk, and select the FireWire hard disk.

If your FireWire hard disk doesn't appear or can't be selected, consult the FireWire hard disk vendor for updated software drivers.

To disconnect your FireWire hard disk safely, drag its icon to the Trash before disconnecting the FireWire cable.

FireWire Target Disk Mode

If you want to transfer files between your Power Mac G5 and another FireWire-equipped computer, or you have a problem that prevents your computer from starting up, you can use FireWire Target Disk Mode to connect your Power Mac G5 to another computer.

Note: Your Power Mac G5 can operate in FireWire Target Disk Mode if the other computer is running any version of Mac OS X or Mac OS 9 with FireWire version 2.3.3 or later installed. Use System Profiler (located in Applications/Utilities) to check the version of FireWire installed. If the other computer has an older version, check for an update at the Apple Service & Support website at www.apple.com/support.

To connect your Power Mac G5 in FireWire Target Disk Mode:

- 1 Shut down your Power Mac G5.
- 2 Use a FireWire cable with the appropriate 6- or 9-pin connector on each end to connect your computer to another FireWire-equipped computer.

- 3 Start up your Power Mac G5 and immediately hold down the T key.
Your Power Mac G5 display shows the FireWire disk mode indicator, and the Power Mac G5 internal hard disk icon appears on the other computer's desktop.
- 4 Drag the Power Mac G5 hard disk icon to the Trash on the other computer when you have finished transferring files.
- 5 Press the power button on the Power Mac G5 to shut it down.
- 6 Disconnect the FireWire cable.

For More Information on FireWire

More information on FireWire is available on the Apple FireWire website at www.apple.com/firewire. You can also find information in Mac Help. Choose Help > Mac Help and search for "FireWire." For information on the FireWire devices available for your computer, go to the Macintosh Products Guide at www.apple.com/guide.

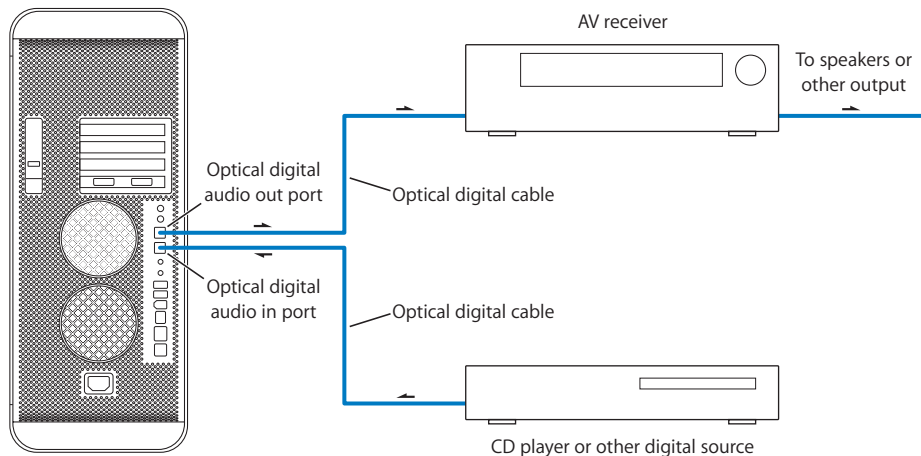
Using Audio Devices

Your Power Mac G5 comes with comprehensive audio capabilities, including a headphone jack on the front and optical digital audio out, optical digital audio in, analog audio line-out, and analog audio line-in ports on the back.

Optical Digital Audio Ports

You can use a digital optical or Toslink cable to connect Digital Audio Tape (DAT) decks or CD players to the optical digital audio in port and input and mix your own music.

You can also connect an audio or AV receiver to the optical digital audio out port and set up a Power Mac G5–based home theater system.



Headphone Jack

You can plug headphones into the computer's headphone jack. When a plug is inserted into this jack, your internal built-in speaker is muted.

Important: Do not plug line-out devices into the headphone jack. Use the analog line-out port on the back instead.

Analog Audio Ports

You can connect external microphones or other audio equipment to the analog minijacks on the back of the computer for line in and line out.

Use the Sound pane of System Preferences to select the audio input or output device you want to use.

Using Your Optical Drive

You can install or use software from CDs or DVDs using your optical drive. You can play multimedia on CD discs and music from audio CDs, and write music, documents, and other digital files to CD-R and CD-RW discs. You can also play DVD movies and use most DVD discs.

If your computer has a SuperDrive, you can also burn your home movies to make video DVDs that can be played in most home DVD players, or you can save documents or other digital files to blank DVD-R, DVD-RW, DVD+R, DVD+RW, and DVD+R Double Layer (DL) discs using the Finder or iDVD. You can store nearly twice as much data (8.54 GB) on a DVD+R DL disc.

Note: If you have older software that comes on floppy disks, contact the software manufacturer to see if the software is available on a CD, or purchase an external USB floppy disk drive for your Power Mac G5 from your Apple Authorized Reseller, an Apple retail store, or online from the Apple Store at www.apple.com/store.

Inserting a Disc

To install or use programs from a CD or DVD:

- 1 With the computer turned on, press the Media Eject (⏏) key on your Apple Keyboard to open the drive.
- 2 Place a disc in the tray, with the label facing up, and make sure the disc is lying flat.
- 3 Press the Media Eject (⏏) key again or gently push the tray in to close it.

When the icon for the disc appears on the screen, the disc is ready to use.

Ejecting a Disc

You can eject a disc by dragging the disc icon to the Trash, or by pressing the Media Eject (⏏) key on your Apple Keyboard. You can also eject a disc by holding down the mouse button while restarting your computer.

Recording Information on a CD

Your optical drive can record your favorite music, programs, and files on CD-R and CD-RW discs. Create your own music CDs and play them on any standard audio player. You can also record data files, such as applications, documents, or other digital files, on a recordable CD.

With a CD-R (CD-recordable) disc, you can record information on the disc once. Although you can't change the recorded information, you may be able to add more information until the disc is full, depending on the application you use. See the documentation that came with your application for specific information about recording on your CD-R disc. It is best to use CD-R discs for recording audio CDs, because your audio CD player may not read CD-RW (CD-rewritable) discs.

With a CD-RW disc, you can save and change information on your CD multiple times. However, some software for recording media files on CDs can record data on the disc only once.

To record music on a CD-R disc from your iTunes library:

- 1 Open iTunes (click its icon in the Dock).
- 2 Select the playlist you want to record.
- 3 Insert a blank CD-R disc.
- 4 Click Burn CD at the top of the iTunes window.

To record data on a CD-R disc from the Finder:

- 1 Insert a blank CD-R disc.
- 2 In the dialog that appears, enter a name for the disc and select the format you want. An icon for the CD appears on the desktop.
- 3 Double-click the CD icon, then drag files and folders to it.
- 4 Choose File > Burn Disc or select the disc and drag it to the Burn Disc icon in the Dock.

For information about how to use iTunes to record music files on a CD, see iTunes Help. Open iTunes (in Applications) and choose Help > iTunes and Music Store Help.

Recording Information on a DVD

If you have a SuperDrive, you can record your own digital movies on a blank DVD-R, DVD-RW, DVD+R, DVD+RW, or DVD+R DL disc. You can also record other kinds of digital data (for example, you can back up your files to DVDs).

To record data to a blank DVD:

- 1 Insert a new blank DVD-R, DVD-RW, DVD+R, DVD+RW, or DVD+R DL disc in the drive.
- 2 In the dialog that appears, enter a name for the disc and select the format you want to create. An icon for the DVD appears on the desktop.
- 3 Double-click the DVD icon and drag files and folders to it.
- 4 Choose File > Burn Disc or select the disc and drag it to the Burn Disc icon in the Dock.

With applications such as iDVD or DVD Studio Pro, you can create your own customized DVD project, burn it on a blank DVD disc, and play it on most standard DVD players.

For more information about iDVD, open iDVD (in Applications) and choose Help > iDVD Help.

Connecting to an Ethernet Network

Your computer comes with built-in 10/100/1000 megabit per second (Mbps) twisted-pair Ethernet networking capability, which you can use to connect to a network or to a cable or digital subscriber line (DSL) modem.

Connecting to a network gives you access to other computers. You may be able to store and retrieve information; use network printers and electronic mail; or connect to the Internet. You can also use Ethernet to share files between two computers or set up a small network.

If you're connecting to an existing network, get information about the network and the network software you need from a network administrator who oversees its operation. Identify your organization's network administrator before you begin.

Follow these guidelines when selecting a cable for your network:

Type of twisted-pair Ethernet	Use twisted-pair cable types
10 Mbps	Category (Cat) 3, 5, or 6
100/1000 Mbps	Cat 5 or 6

Connecting to a Twisted-Pair Ethernet Network

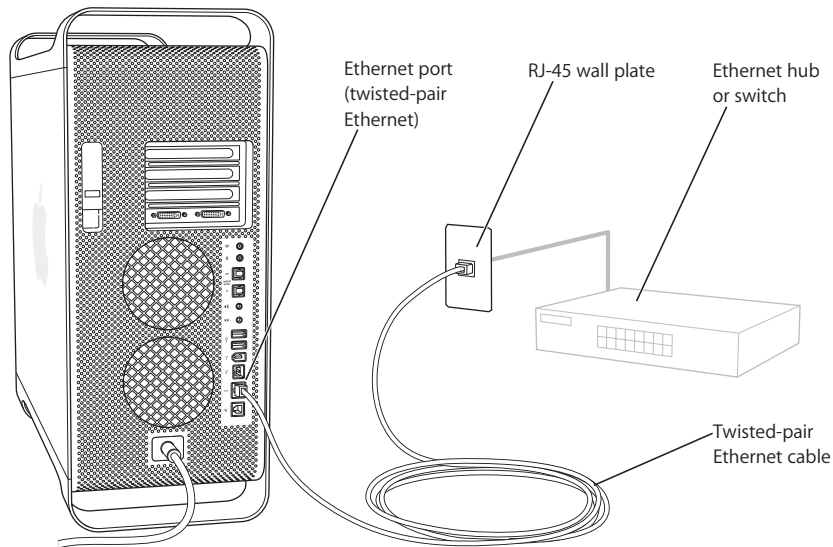
You can connect directly to a 10/100/1000 twisted-pair Ethernet network.

Note: You can also connect your computer to an Ethernet network that uses thin coaxial cables. To do this, you need an RJ-45-to-thin coax adapter (available from other manufacturers). See your Apple Authorized Reseller for more information on Ethernet media adapters.

To connect your Macintosh to a centralized 10/100/1000 twisted-pair Ethernet network:

- 1 Plug one end of an RJ-45 twisted-pair cable into the Ethernet port on your Macintosh.

- 2 Plug the other end of the cord into an RJ-45 wall outlet or external Ethernet hub or switch that is connected to a twisted-pair Ethernet network.



After you start up the computer, you need to configure the software for your network connection. Your network administrator can provide the necessary information. You can also get help configuring your network software using Mac Help (choose Help > Mac Help).

To configure your network settings:

- 1 Choose Apple () > System Preferences and click Network.
- 2 Choose Built-in Ethernet from the Show pop-up menu.
- 3 Click TCP/IP and enter information about your network.
The default setting is Configure Using DHCP.
- 4 Click Apply Now.

For More Information on Using Ethernet

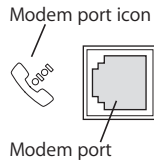
Additional information, including information about setting up an Ethernet network or transferring files using Ethernet, is available in Mac Help. Choose Help > Mac Help and search for "Ethernet" or "network."

For more information on networking your Power Mac G5, go to Apple Service & Support at www.apple.com/support.

For information on networking products you can use with your Power Mac G5, go to the Macintosh Products Guide at www.apple.com/guide.

Using Your Modem

If your Power Mac G5 came with an Apple 56K internal modem installed, plug one end of the modem cord or RJ-11 cable into the modem port on the back of the computer and the other end into a standard RJ-11 telephone wall jack.



Make sure you connect the internal modem to an analog phone line—the kind used typically in homes. The modem does not work with a digital phone line, which may damage the modem.

Warning: Disconnect your modem from the phone jack during lightning or thunder storms to prevent damaging the modem with a voltage overload.

Note: If you did not order a modem with your Power Mac G5, you can have one installed by an Apple Authorized Service Provider or at an Apple Retail Store. The Internal modem is not user-installable.

Using AirPort Wireless Networking

AirPort offers an easy and affordable way to provide wireless Internet access anywhere at home, at work, or in the classroom. Instead of using traditional cables, AirPort uses wireless local area network (LAN) technology to provide wireless communication between multiple computers. Through a wireless network, you can set up access to the Internet, transfer files, play multiplayer games, and more.

Your Power Mac G5 is AirPort-ready. The only thing you need to add is an AirPort Extreme Card. See “Installing an AirPort Extreme Card” on page 68. You install the AirPort Extreme Card in a slot inside the computer, connect it directly to the end of a built-in antenna cable, and install an AirPort antenna. For instructions on using your AirPort Extreme Card, see the *About Your AirPort Extreme Card* booklet that came with your card.

Wireless Network Connections

If you install an AirPort Extreme Card, you can:

- Connect your computer to a computer network that has wireless access
- Use your computer to provide network access for other computers using wireless cards

- Establish a wireless connection and share information with another computer that has an AirPort Card, an 802.11b wireless card, or an 802.11g wireless card

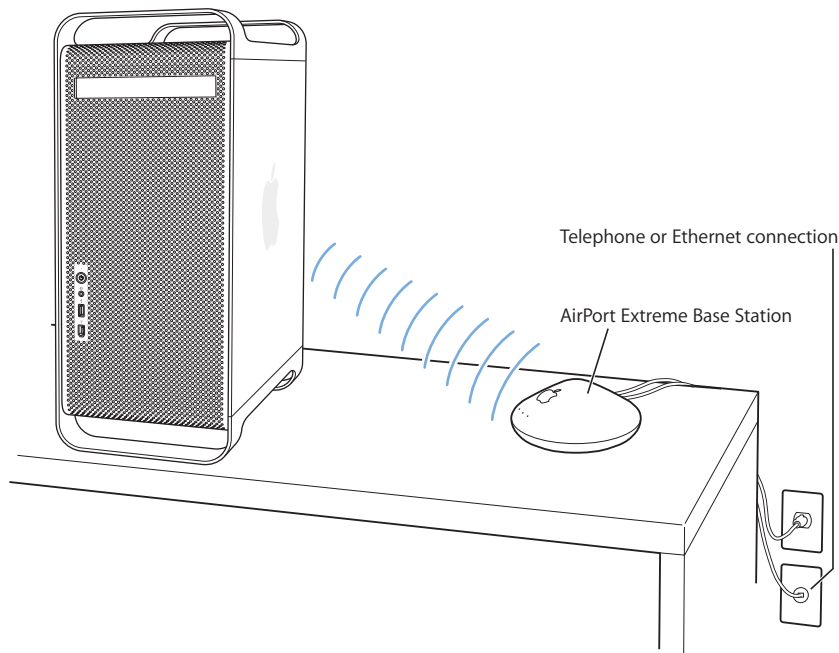
Check with your network administrator for more information about reaching the network's wireless access point.

If your computer comes with an AirPort Extreme Card installed or you install an AirPort Extreme Card, you should also connect the AirPort antenna that came with your computer to the AirPort antenna port (📶) on the back of the computer. See "Installing an AirPort Extreme Card" on page 68 for more information.

How AirPort Provides Wireless Internet Access

With AirPort, you set up a wireless connection to a device known as a *base station*, which has a physical connection to the Internet. AirPort technology works like a cordless telephone. The handset of the cordless phone makes a wireless connection to the base, which is connected to the telephone line. Similarly, your computer makes a wireless connection to the base station, which is connected to the telephone line or your Ethernet network.

Note: The AirPort Extreme Card is compatible with all versions of the AirPort Base Station.



Important: Several kinds of objects placed near the computer can cause interference. See the instructions that come with an AirPort Extreme Card, AirPort Express, or AirPort Extreme Base Station to learn about avoiding interference. For more information, go to the Apple Service & Support website at www.apple.com/support.

For More Information on AirPort

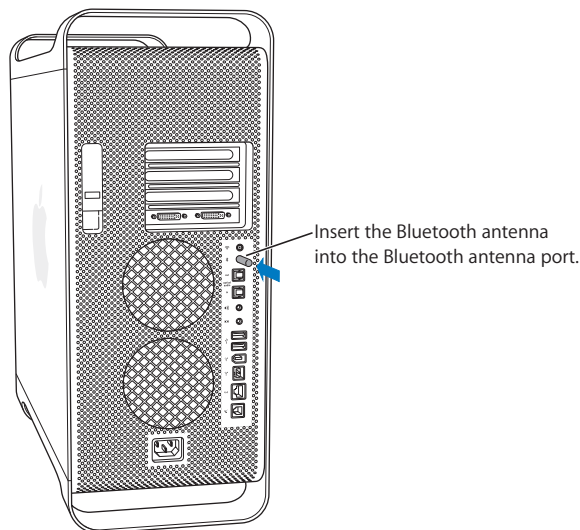
To purchase an AirPort Extreme Card, AirPort Express, or AirPort Extreme Base Station, contact your Apple Authorized Reseller, visit an Apple retail store, or go online to the Apple Store at www.apple.com/store.

For more information about AirPort, search for “AirPort” in Mac Help. You can also find information on the Apple AirPort website at www.apple.com/airport.

Using Bluetooth Wireless Technology

Your Power Mac G5 can connect to and transfer information to devices that use Bluetooth® wireless technology, such as Apple’s wireless keyboard and mouse, cell phones, Personal Digital Assistants (PDAs), and printers, eliminating the need for cables that traditionally connect devices together.

If your computer came with a built-in Bluetooth module, remember to connect the Bluetooth antenna that came with your computer to the Bluetooth antenna port (⌘) on the back of the computer. The small cylindrical Bluetooth antenna provides reception for Bluetooth devices.



Bluetooth wireless technology eliminates the need for many cables that traditionally connect devices together. Bluetooth enabled devices can connect to each other wirelessly at distances up to 10 meters (33 feet).

With Bluetooth wireless technology, you can do the following:

- Use your Power Mac G5 to communicate with a Bluetooth enabled mobile phone. Your phone can act as a modem to connect you to a wireless service provider, at speeds of up to 56 kilobits per second (kbit/s), so you can use your mobile phone to access the Internet.
- Exchange files between Bluetooth enabled computers and devices, even Mac to PC. Apple still recommends the use of AirPort Extreme wireless networking, however, for anything but the smallest files.
- Synchronize data between your computer and Bluetooth enabled PDA. Using iSync, you can perform a hot-sync operation without cables or send your business card or calendar events directly to a colleague's PDA.
- Use a Bluetooth wireless keyboard or mouse.
- Print to a Bluetooth printer.
- Use a Bluetooth headset.

Setting Up a Bluetooth Device

Before you can use your mobile phone to connect to the Internet or share contact information, share files with other devices, or use a Bluetooth keyboard or mouse, you need to set up the device to work with your computer. Once you've set up the device, it is "paired" with your computer, and you can see it in the Devices pane of Bluetooth preferences. You need to pair your computer with the device only once, and they remain paired until you delete the pairing.

To set up a Bluetooth device:

- 1 Choose "Set up a Bluetooth device" from the Bluetooth status menu (⌘) in the menu bar.
- 2 Follow the onscreen instructions for the type of device you want to set up.

Important: If the Bluetooth status menu is not in the menu bar, open System Preferences and click Bluetooth. Click Settings and then select "Show Bluetooth status in the menu bar."

To delete a pairing with a device:

- 1 Open System Preferences and click Bluetooth.
- 2 Click Devices.
- 3 Select the device from the list and click Delete Pairing.

Setting Up Bluetooth File Exchange

You can control how your computer handles files that are exchanged between Bluetooth devices. You can choose to accept or refuse files sent to your computer, which folder to use for the files you accept from other devices, which folder other devices can browse, and which applications to use with the files you accept.

To set up a Bluetooth file exchange:

- 1 Open System Preferences and click Bluetooth.
- 2 Click Sharing.
- 3 Select the On checkbox for Bluetooth File Exchange, and use the pop-up menus to adjust the settings.

Sending a File to a Bluetooth Device

Your computer can send files to other Bluetooth devices in range of your computer. If you are not paired with the device, you may have to authenticate with it before you can send the file. If you have already paired with the device, you may not have to authenticate.

To send a file to a Bluetooth device:

- 1 Choose Send File from the Bluetooth status menu in the menu bar.
- 2 Select the file you want to send and click Send.
- 3 Choose a device from the Device list and click Send.

If the device is not in the Device list, click Search. When the device is found, you can add it to your Favorites list.

For More Information on Bluetooth Wireless Technology

If your computer came with a built-in Bluetooth module, you can get help by opening the Bluetooth File Exchange application (located in the Utilities folder within the Applications folder) and choosing Help > Bluetooth Help. You can also find information on the Apple website at www.apple.com/bluetooth.

Note: If you did not order a Bluetooth module with your Power Mac G5, you can have one installed by an Apple Authorized Service Provider or at an Apple Retail Store. Bluetooth modules are not user-installable.

You can also purchase an external Bluetooth USB adapter from your Apple Authorized Reseller, an Apple retail store, or online from the Apple Store at www.apple.com/store.

Putting the Computer to Sleep to Save Energy

Power Mac G5 computers are set to go to sleep after a period of inactivity. Sleep is a state in which your computer uses very little power. You can also put the computer to sleep whenever you want to.

Note: Power Mac G5 computers are set to sleep automatically within 15 minutes of inactivity; however, you can change the automatic sleep settings in System Preferences.

When the computer wakes from sleep, your programs, documents, and computer settings are exactly as you left them. To save more energy, shut down the computer when it's not in use.

To put your computer to sleep, you can do any of the following:

- Press the power button on the front of the computer.
- Choose Apple () > Sleep.
- Choose Apple () > System Preferences, click Energy Saver, and set a sleep timer.

When the computer is in sleep, the front panel power button light pulses.

To wake the computer, press the power button on the front of the computer or press a key on the keyboard. With some Apple displays, you can also use the display's power button to put the computer to sleep and wake it.

Not all PCI cards or replacement AGP cards comply with the computer's power management standards. If you install a noncompliant card, the computer can still enter sleep mode, but it may not save as much energy as possible.

For more information about energy-saving options, see Mac Help.

Transferring Information Between Two Macintosh Computers

If two Macintosh computers are *not* connected by an Ethernet, AirPort, or Bluetooth network, you can transfer information between them by connecting them with a standard Cat 5 Ethernet cable (in effect creating a small network of just two computers). You can buy this type of cable from an Apple Authorized Reseller. You connect the cable to each computer's Ethernet port and then turn on file sharing on both computers. You can also configure the Ethernet settings on two computers to create a small network.

First, turn on file sharing on both computers:

- 1 Choose Apple () > System Preferences.
- 2 Click Sharing, then click Start.

Next, follow these steps on one computer:

- 1 Choose Go > Connect to Server.
- 2 Click Local Network.
- 3 Select the computer you want to access.

For more information about configuring Ethernet, search for "Ethernet" in Mac Help.

If you have an AirPort or Bluetooth wireless network, you can also transfer information between two Macintosh computers. For more information about AirPort or Bluetooth wireless networks, search for “AirPort” or “Bluetooth” in Mac Help.

You can also connect two Macintosh computers using a FireWire cable. You can then use FireWire Target Disk Mode to transfer files from one computer to another. For more information, see “FireWire Target Disk Mode” on page 29.

You can set up your computer to connect to other computers over FireWire, using the Internet Protocol (IP). For more information, search for “IP over FireWire” in Mac Help.

If you have an Internet connection, you can transfer files via the Internet to your .Mac iDisk, where you or another Mac user can download the files.

You can customize and expand your Power Mac G5 to fit your needs.

This chapter provides information and instructions about working inside your computer and includes the following procedures:

- “Opening the Computer” on page 44
- “Installing Memory” on page 49
- “Installing Internal Storage Devices” on page 56
- “Installing a PCI Expansion Card or Replacing the AGP Card” on page 64
- “Installing an AirPort Extreme Card” on page 68
- “Replacing the Battery” on page 69

Warning: Apple recommends that you have an Apple-certified technician install memory, PCI expansion cards, and internal storage devices. Consult the service and support information that came with your computer for instructions on how to contact an Apple Authorized Service Provider or Apple for service. If you install these items yourself, you risk damaging your equipment, and such damage is not covered by the limited warranty on your computer. See an Apple Authorized Reseller or Service Provider for additional information about this or any other warranty question.

Opening the Computer

- 1 Before you open your computer, shut it down by choosing Apple (🍏) > Shut Down.



Warning: Always shut down your Power Mac G5 before opening it to avoid damaging its internal components or the components you want to install. Do not open the computer or attempt to install items inside it while it is on.

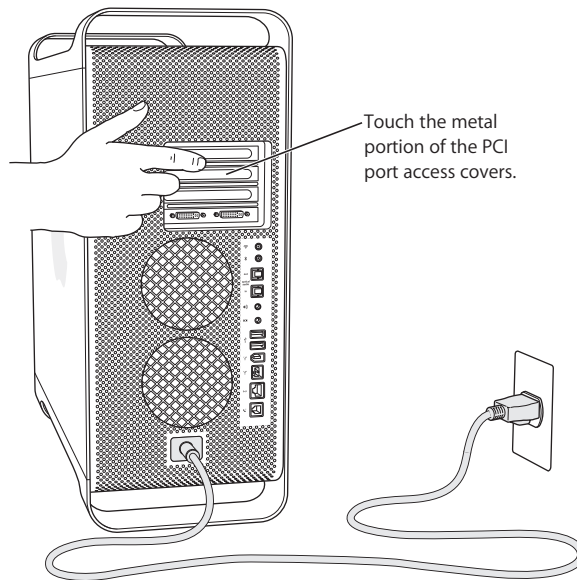
- 2 Wait 5 to 10 minutes to allow the computer's internal components to cool.



Warning: After shutting down your computer, the internal components can be very hot. Let the computer cool down before continuing.

- 3 Touch the metal PCI access covers on the back of the computer to discharge any static electricity from your body.

Important: Always discharge static before you touch any parts or install any components inside the computer. To avoid generating static electricity, do not walk around the room until you have finished installing the expansion card, memory, or internal storage device and closed the computer.

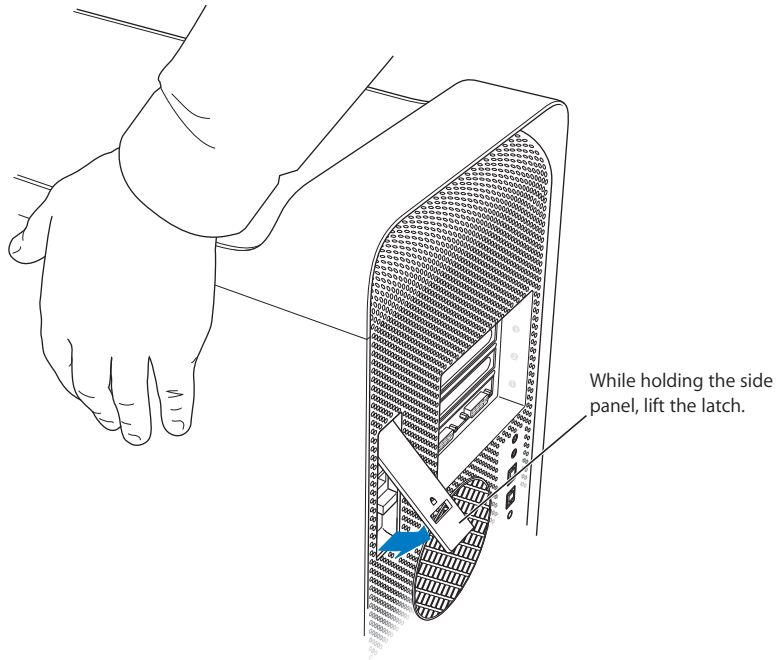


- 4 Unplug all the cables and the power cord from the computer.

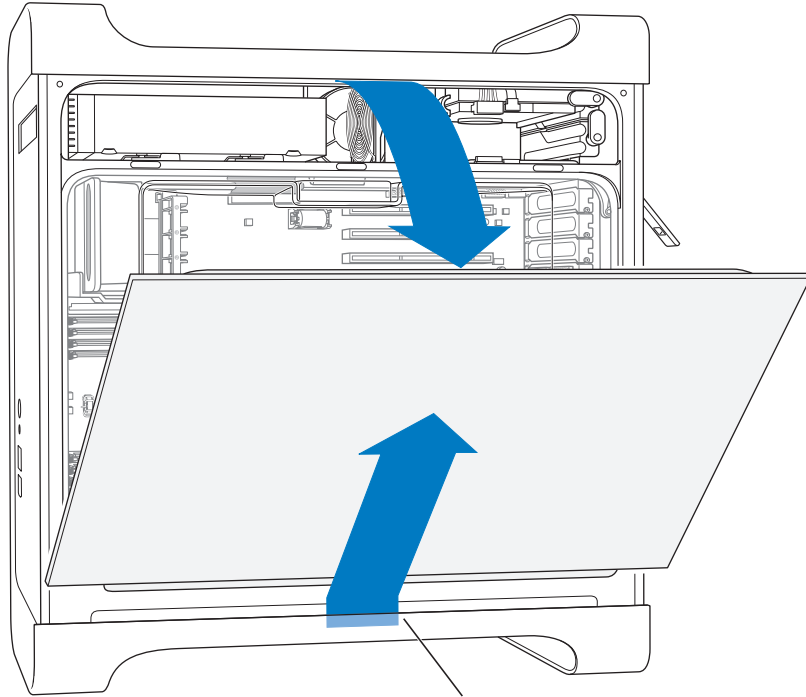


Warning: To avoid damaging its internal components or the components you want to install, always unplug your Power Mac G5. Do not attempt to install items inside the computer while it is plugged in.

- 5 Hold the side panel and lift the latch on the back of the computer.



6 Remove the side panel.

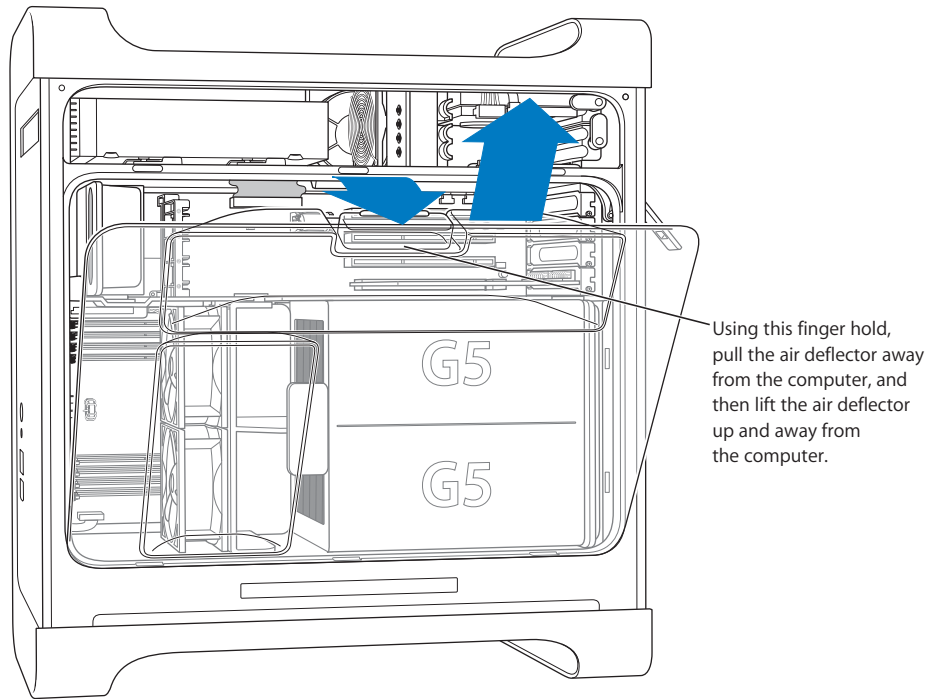


Pull the top of the side panel away from the computer, and then lift it up and remove it from the computer.

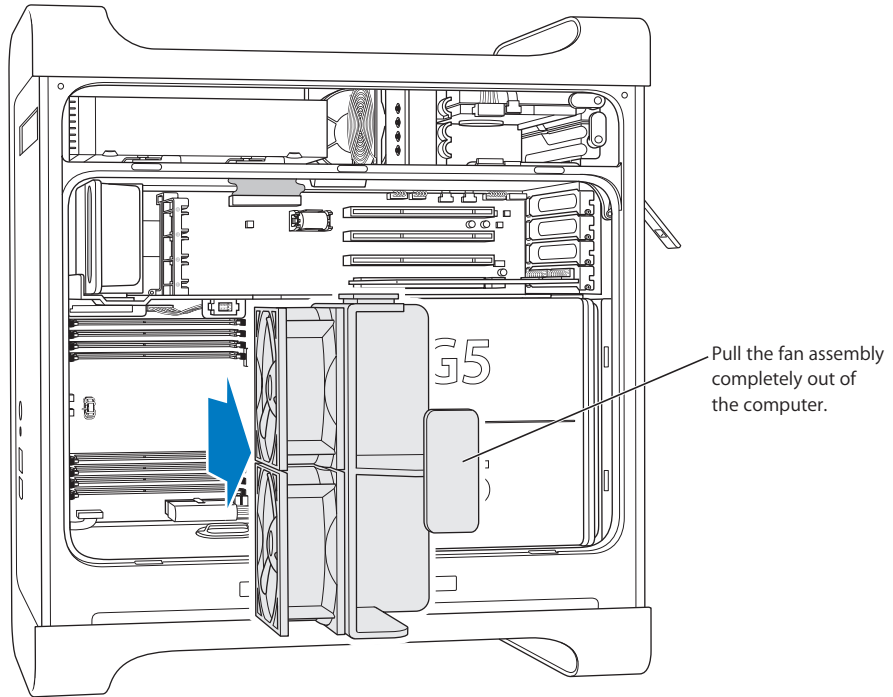
Important: When you remove the side panel, hold it securely.

- 7 Remove the air deflector and place it on a soft, clean cloth.

Important: Always remember to replace the air deflector after you have finished working inside your computer. Your computer will not function properly without the air deflector.



- 8 Pull the front fan assembly by the handle to remove it from the computer. Set it aside.
- Note:** You do not need to remove the front fan assembly to install drives, install PCI and AGP cards, or replace the battery.



Installing Memory

Depending upon the model, your Power Mac G5 has four or eight dual inline memory module (DIMM) slots for Double-Data-Rate (DDR) synchronous dynamic random-access memory (SDRAM) devices. Your computer comes with a minimum of 512 MB of random access memory (RAM), installed as a pair of 256 MB DIMMs in two of the DIMM slots. You can install additional pairs of DIMMs in the open DIMM slots on your computer's main logic board.

DIMMs must be installed in equal-sized pairs and fit these specifications:

- 400 MHz, PC 3200 DIMMs
- 184-pin module
- Maximum number of memory devices on DDR SDRAM: 16
- Nonparity
- No error-correcting codes (NECC)
- Unbuffered (registered or buffered DDR SDRAM cannot be used)

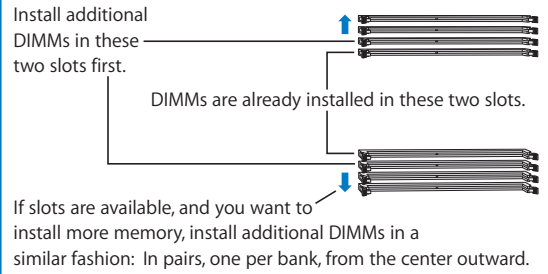
Important: Memory from older Macintosh computers may not be compatible with your Power Mac G5.

Note: When purchasing DDR SDRAM for use in Macintosh computers, make sure that the memory vendor conforms to the JEDEC (Joint Electron Device Engineering Council) specification. Check with your memory vendor to ensure that the DDR SDRAM supports the correct timing modes and that the Serial Presence Detect (SPD) feature has been programmed properly, as described in the JEDEC specification. To check the compatibility of your DDR SDRAM DIMMs, see the Macintosh Products Guide on Apple's website at www.apple.com/guide. You can purchase Apple-branded memory online from the Apple Store at store.apple.com.

To install memory:

- 1 Open your computer and remove the side panel, air deflector, and fan assembly following the directions that begin on page 44.

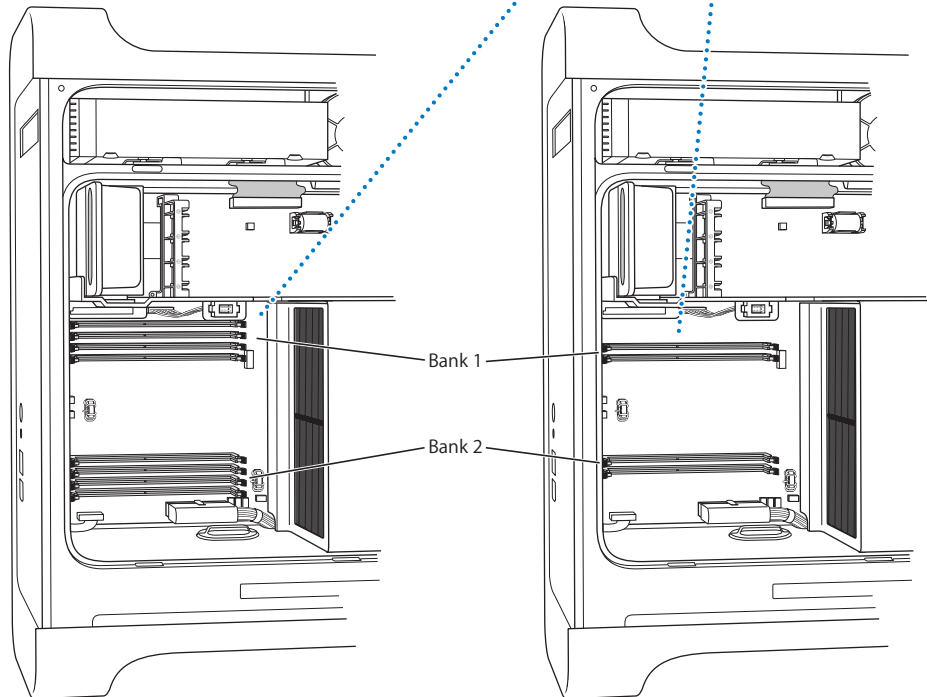
No matter how many SDRAM slots your computer has, the SDRAM DIMMs must be installed in pairs with one DIMM per bank.



Install additional DIMMs in these two slots first.

DIMMs are already installed in these two slots.

If slots are available, and you want to install more memory, install additional DIMMs in a similar fashion: In pairs, one per bank, from the center outward.



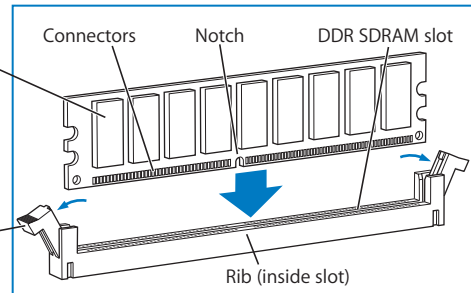
- 2 Locate the DIMM slots in the computer.

Important: Always install DIMMs in pairs of equal size and in the order designated in the illustration above.

- 3 Open the ejectors on the DIMM slots by pushing them out to the sides.
 - 4 Placing one hand on the back of the computer for support, align the first DIMM in the slot and push both ends of the DIMM down until the tabs are vertical and the ejectors snap into place.
- Important:** Do not touch the DIMM connectors. Handle the DIMM only by the edges.
- 5 Align the second DIMM in the opposite slot and push until the ejectors snap into place.

DDR SDRAM DIMM
(Your DIMM's shape and components may vary.)

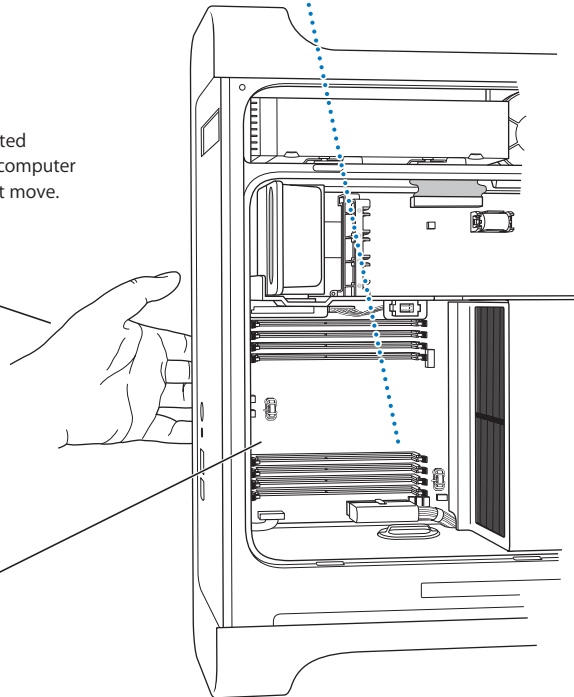
The DDR SDRAM DIMM fits into the slot only one way. Align the notch in the DIMM with the small rib inside the slot. With the ejectors open (as shown), push the DIMM until it snaps into place. The ejectors close automatically.



Ejectors
(They should be pushed outward to be in the open position, as shown.)

To make sure the DIMMs are properly seated in their slots, place one hand behind the computer and hold the computer so that it does not move. With your other hand, press each DIMM firmly into its slot.

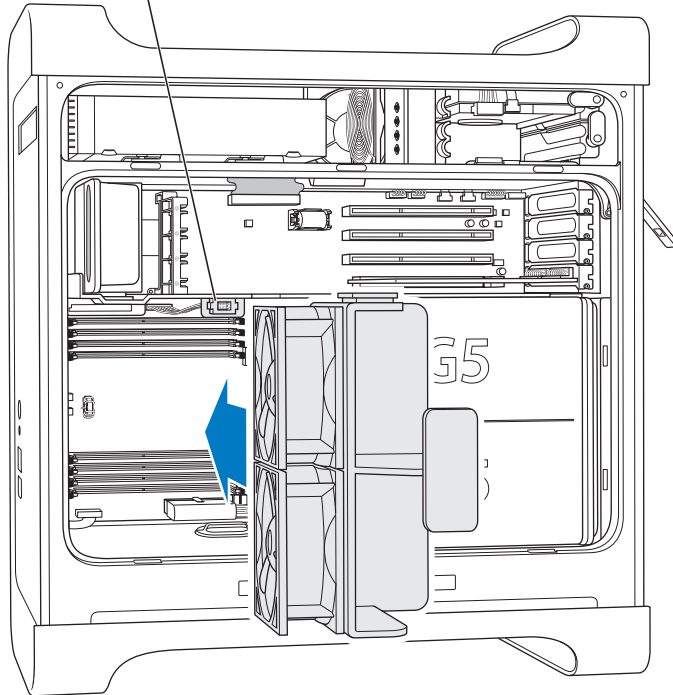
Your computer will have either 4 or 8 DDR SDRAM slots, depending on model.



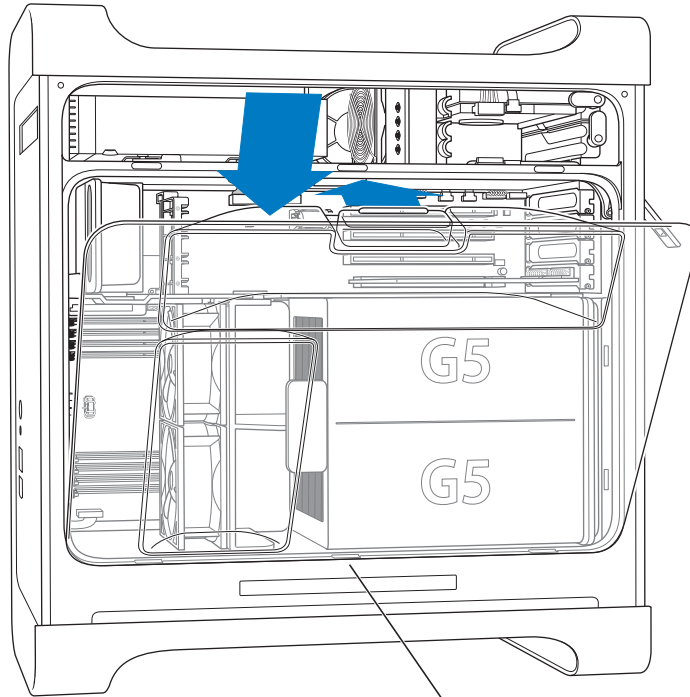
- 6 Replace the front fan assembly by firmly pushing it back into the computer by the handle until it connects.

Important: Make sure the fan assembly engages the connector or your computer will not operate properly. Gently pull the fan assembly to see if it is properly connected. If it resists and stays in place, it is connected.

Slide the plastic rail on the fan assembly into the cutout in the sheet metal divider inside the computer. The fan assembly needs to engage this connector.



7 Replace the air deflector.

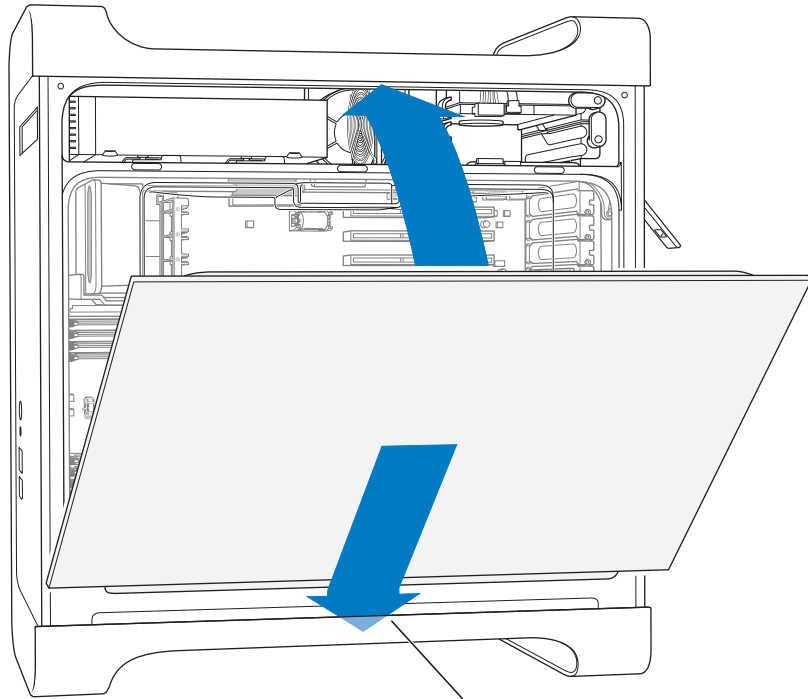


Slide the three tabs on the air deflector into the slots in the computer and then push the air deflector closed.

Important: Always remember to replace the air deflector. Your computer will not function properly if the air deflector is not in place.

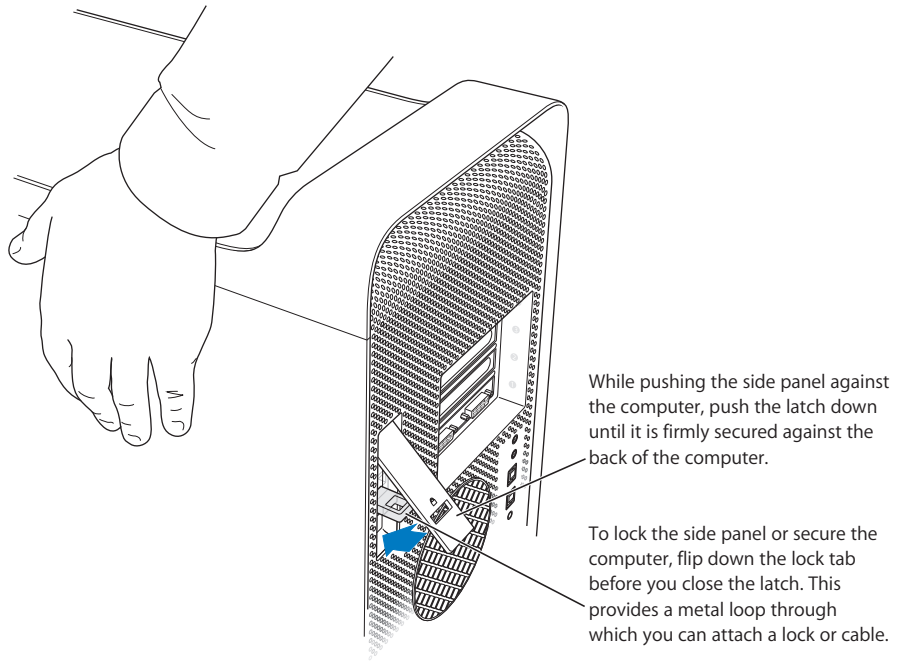
8 Replace the side panel.

Important: Always replace the side panel before you start up your computer. Your computer does not function properly if the side panel is not in place.



Place the side panel into the slot in the computer and then push the side panel closed.

- 9 Push the latch down to close and secure the side panel.



Important: When you replace the side panel, hold it securely so that it stays in place as you push the latch down.

Installing Internal Storage Devices

Your Macintosh has three internal drive bays: one optical drive bay and two hard drive bays. In most configurations, a single hard disk drive occupies the top hard drive bay and an optical drive is located in the front optical drive bay.

You can add a Serial ATA disk drive to the empty slot in the hard disk drive bay. The drives must meet these specifications:

- *Type:* Serial ATA
- *Width:* 3.9 inches (102 mm)
- *Depth:* 5.7 inches (147 mm)
- *Height:* 1.0 inch

Important: Use the original Apple cables that came with your Macintosh when you install ATA or optical drives.

For more information about requirements and devices supported, see your Apple Authorized Reseller and the support section of the Apple website at www.apple.com/support.

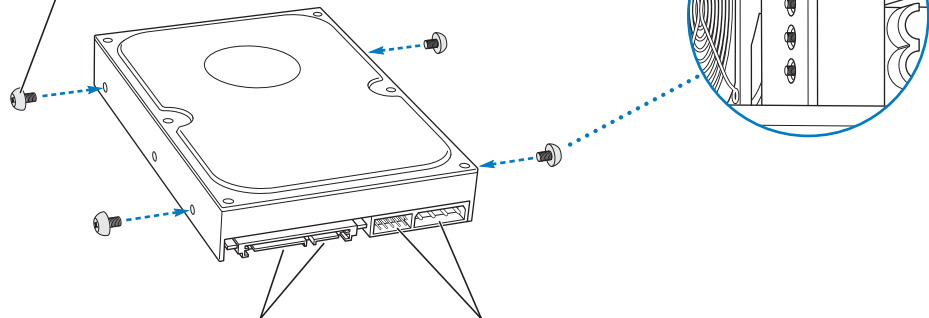
Installing Serial ATA Drives

Your Macintosh can accommodate one additional internal 1-inch-high Serial ATA drive in the hard drive bay, for a total of two drives. Your computer comes with one Serial ATA drive installed, and it usually sits in the top hard drive bay. You can install a second Serial ATA drive in the lower hard drive bay.

- 1 Open your computer and remove the side panel following the directions that begin on page 44.

Install the four drive guides into four of the threaded holes on the side of the drive. If you have a choice, use holes that are closest to the corners of the drive.

The four drive guides are stored in the plastic divider next to the hard drive bays.



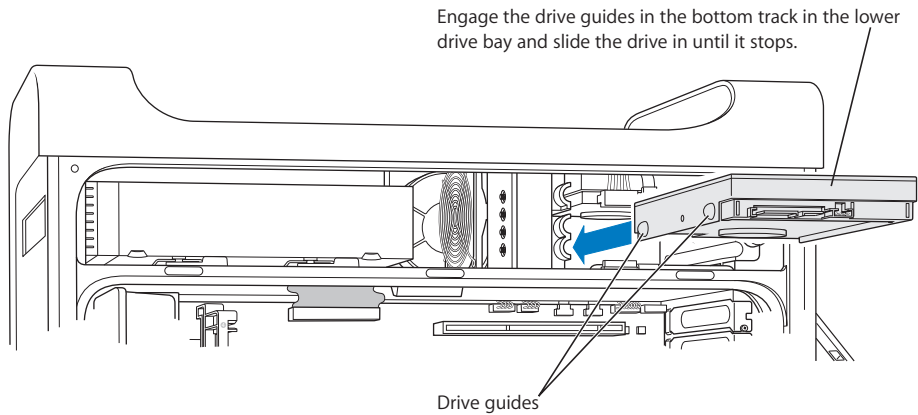
Your drive will need to have these blade-type connectors to attach the power and data cables.

Some drives may have these pin-type connectors, too, but you won't be connecting any cables to them.

- 2 Unscrew the four drive guides from the left side of the hard drive bay and screw them to the threads at the sides of the hard drive as illustrated above.

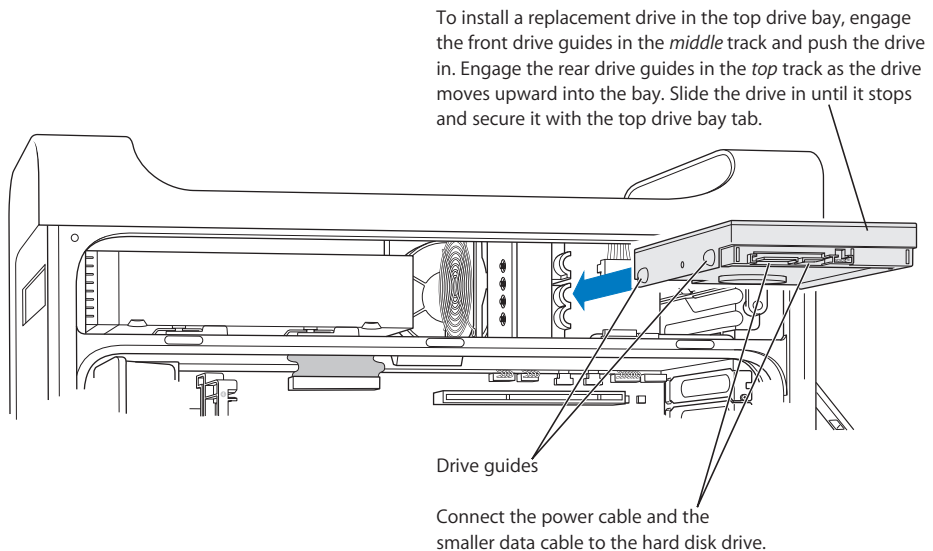
Important: If the printed circuit board (PCB) is exposed on the bottom of the hard disk drive, hold the drive by its sides. To avoid damaging the drive, take care not to touch the PCB during installation.

- 3 To install an additional drive, slide the drive into the lower drive bay, align the drive guides into the bottom track, and gently push the drive until it snaps into place.

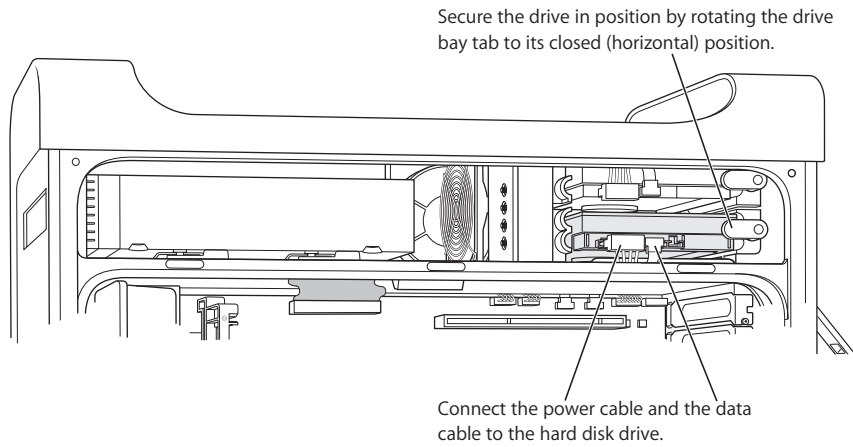


- 4 To replace the drive in the top drive bay, pull the original drive out of the drive bay and drop it down slightly until it clears the drive bay. Slide the replacement drive into the top drive bay, aligning the front drive guides into the middle track. Engage the rear drive guides in the top track as the drive moves into the drive bay. Gently push the drive into the bay until it snaps into place.

Note: If a hard drive is installed in the lower drive bay, remove it before replacing the hard drive in the top drive bay.



- 5 Pull the appropriate drive bay tab down to secure the drive.
- 6 Connect the power cable and the Serial ATA data cable to the drive.



- 7 Replace the side panel, following the directions that begin on page 54.

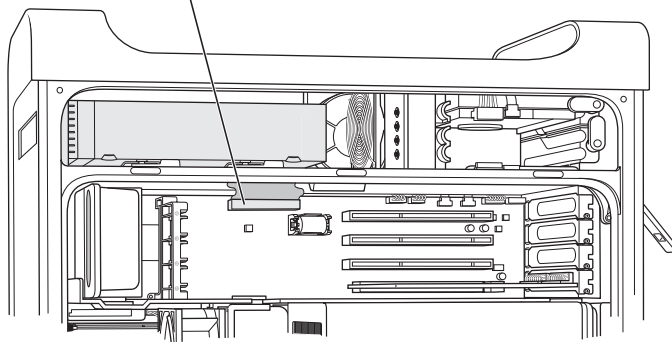
Replacing the Optical Drive

Your computer comes with an optical drive installed, either a SuperDrive or Combo drive. Follow these instructions to replace the optical drive in the optical drive bay.

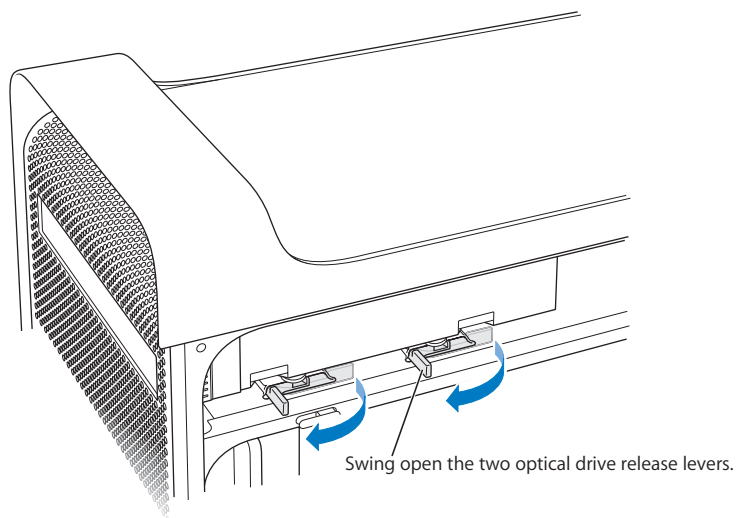
Important: Contact your drive manufacturer or consult the manufacturer's website to determine if your drive is set for cable select mode. Before installation, set the drive to cable select if the manufacturer hasn't already done so.

- 1 Open your computer and remove the side panel following the directions that begin on page 44.
- 2 Disconnect the optical drive ribbon cable from the logic board.

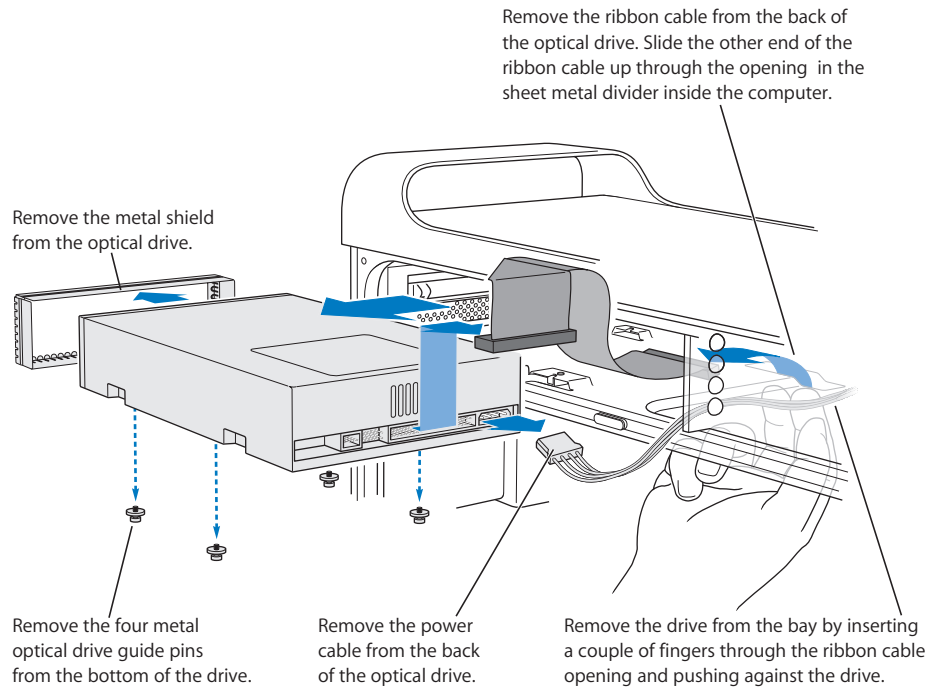
Disconnect this cable from the main logic board in preparation for removing the optical drive.



- 3 Push the optical drive release levers out to release the drive.

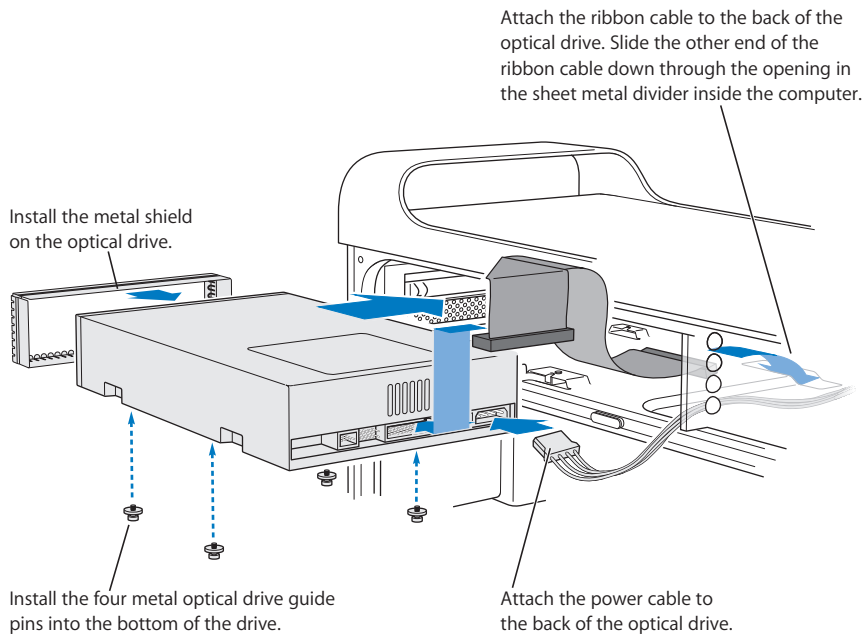


- Carefully pull the drive a short distance out of the bay.
- Disconnect the ribbon cable from the back of the original drive and gently pull the cable through the opening in the sheet metal divider at the back of the optical drive bay.

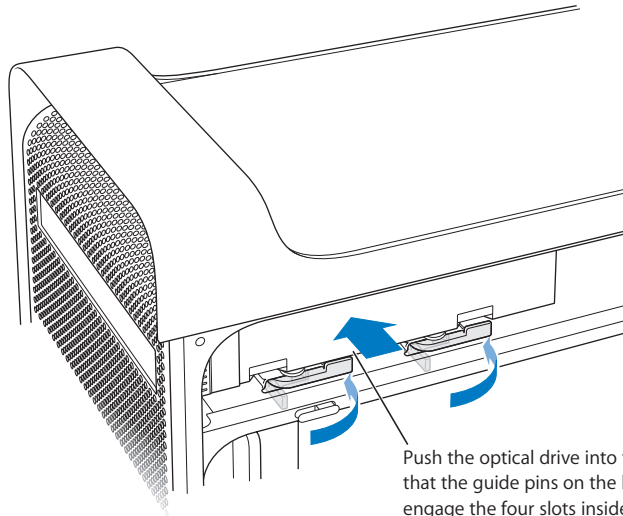


- Place two or three fingers through the opening at the back of the optical drive bay and push the drive out slightly so you can remove it from the computer.
- Remove the power cable from the drive.
- Unscrew the four optical drive guide pins from the bottom of the original drive and attach them to the bottom of the replacement drive.
- Remove the metal shield from the front of the drive and attach it to the front of the replacement drive.

- 10 Carefully remove the ribbon cable from the top of the original drive and transfer it to the replacement drive.
Important: Reusable adhesive tape on the underside of the ribbon cable attaches the cable to the drive. When removing the cable from the original drive, be careful to keep the tape with the cable.
- 11 Attach the ribbon cable connector and the power cable to the back of the replacement drive.
- 12 Insert the drive part way into the drive bay and bend the free end of the ribbon cable, then pull it down through the opening in the sheet metal divider at the back of the optical drive bay.

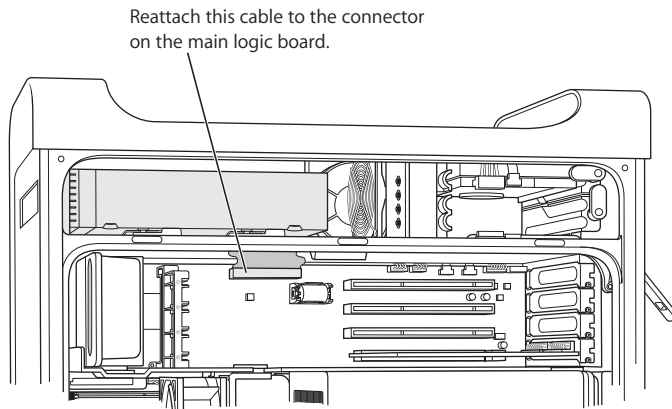


- 13 Slide the drive the rest of the way into the drive bay, aligning the optical drive guide pins in the slots, and gently push the drive into place.
- 14 The optical drive release levers should close when the drive is installed correctly. If they don't close, gently push them.



Push the optical drive into the computer so that the guide pins on the bottom of the drive engage the four slots inside the computer. Close the optical drive release levers completely when the drive is properly seated.

- 15 Attach the optical drive ribbon cable to its connector on the logic board.



- 16 Replace the side panel, following the directions that begin on page 54.

Installing a PCI Expansion Card or Replacing the AGP Card

You can expand the capabilities of your Power Mac G5 by installing cards in its expansion slots. Your Power Mac G5 has four expansion card slots, three of which accommodate Peripheral Component Interconnect (PCI) cards and one that accepts an advanced graphics port (AGP) card.

AGP cards and PCI cards have different connectors, so you cannot insert a PCI card into the AGP slot.

About AGP Cards

Your AGP card, installed in slot 1, contains the graphics processor unit (GPU) and provides the computer's display ports. Slot 1 is designed specifically to accept AGP cards. This 533-megahertz (MHz) slot accommodates 1.5-volt (V) AGP cards (see the illustration on page 67).

You can replace the card that came with the computer with an AGP 8X or AGP 8X Pro card. A replacement AGP card must have driver software compatible with Mac OS X.

About PCI Expansion Cards

Your Macintosh has three expansion slots, labeled 2, 3, and 4, which can accommodate expansion cards up to 12 inches long. Depending upon the model of your Power Mac G5, you can install either PCI or PCI-X cards.

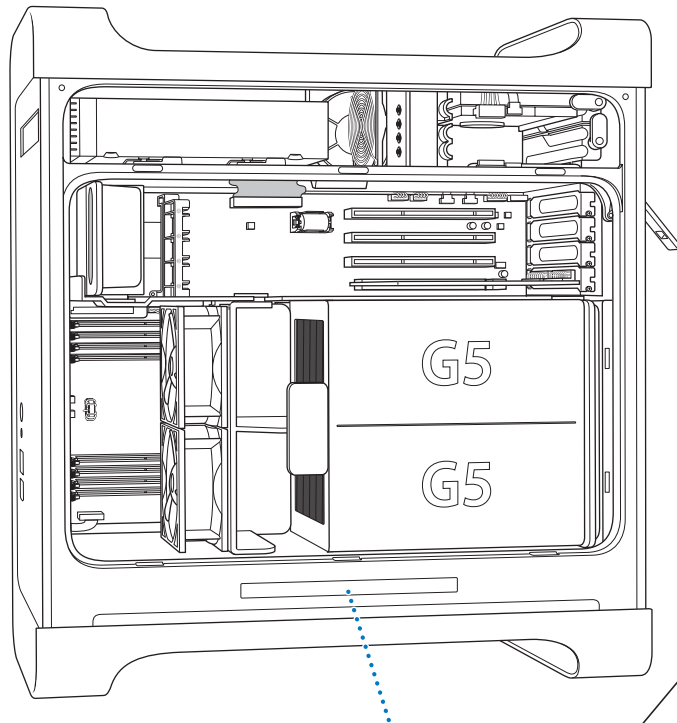
Card type supported	Slot	Card speed
PCI ¹	slots 2, 3, and 4	64-bit, 33 MHz
PCI-X	slots 2 and 3	64-bit, 100 MHz
PCI-X	slot 4	64-bit, 133 MHz

¹ The PCI slots can accommodate mixed-voltage (5.0 V, 12 V, or 3.3 V) cards, but only at 3.3 V signaling, with 32-bit or 64-bit data widths and a 33 MHz frequency. You can add a 66 MHz card to a 33 MHz PCI slot if the card can operate at the lower 33 MHz rate.

Warning: Do not use PCI cards that function only at 66 MHz in the 33 MHz PCI slots. Damage to your equipment could result. If you have a 66 MHz PCI card, check with the card's manufacturer to see if it also works at 33 MHz.

Maximum power consumption for all four expansion slots (the three PCI expansion cards and the AGP card) should not exceed 90 watts (W).

To determine whether your computer has PCI or PCI-X slots, read the ID label, which is located on the side of the computer at the bottom under the air deflector. You can also identify your model by the number of DIMM slots. Computers with 4 DIMM slots have 33 MHz PCI slots; computers with 8 DIMM slots have 100 and 133 MHz PCI-X slots.



Your computer's ID label tells you what hardware configuration you have. It is coded and resembles the label shown here. If your computer has PCI-X slots it will be listed here. If you don't see "PCI-X" your computer has PCI slots.



Installing Your Card

You can install an AGP card in slot 1 only. The AGP slot accepts standard AGP cards or AGP Pro cards. Install either PCI or PCI-X cards in the slots labeled PCI 2, 3, and 4. See the table on page 64.

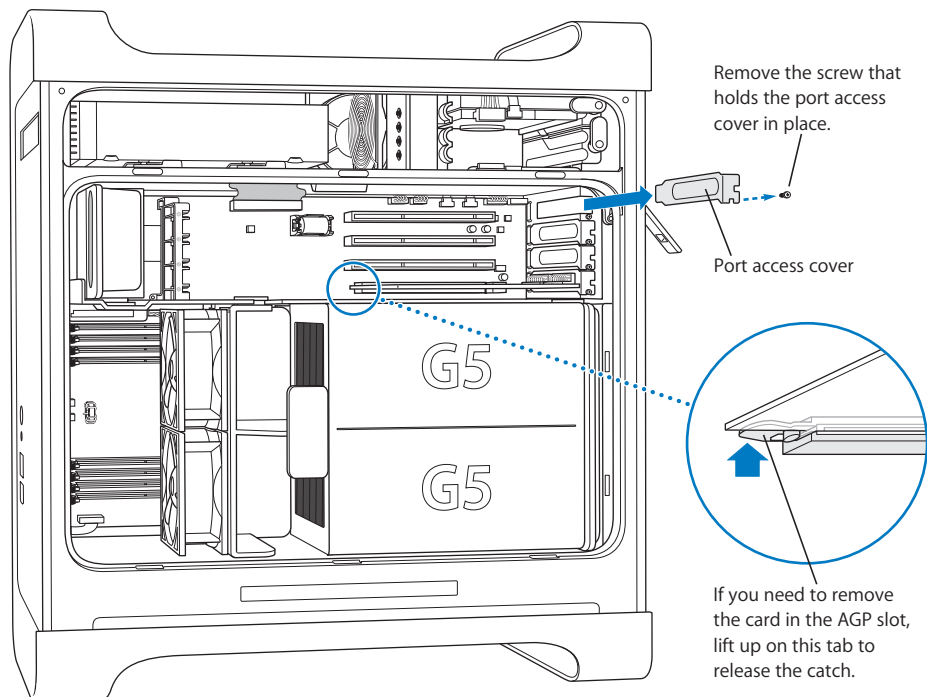
- 1 Open your computer and remove the side panel and air deflector following the directions on page 44.



Warning: To avoid damaging its internal components or the components you want to install, always turn off and then unplug your Power Mac G5. Wait 5 or 10 minutes for it to cool down. Do not attempt to install items inside it while it is plugged in.

- 2 Remove the screw in the port access cover, pull out the access cover, and set it aside.

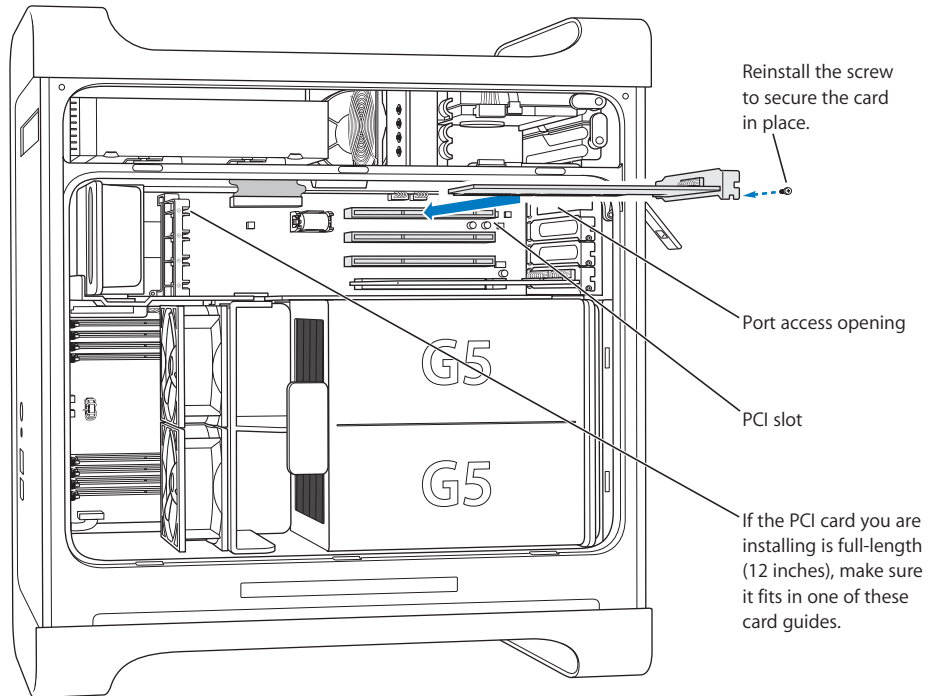
Note: To prevent screws from the PCI port access cover from dropping into the enclosure, you may want to use a magnetic screw driver, available at most electronic supply stores. Take care not to place the magnetic screw driver near your hard drives or media such as CDs or DVDs.



- 3 Remove the card that you want to install from its static-proof bag and hold it by its corners, taking care not to touch the gold connector or any of the components on the card.

- 4 Align the card's connector with the expansion slot and press until the connector is inserted all the way into the slot.

If you're installing a 12-inch card, make sure the card engages the appropriate guide.



Press the card gently but firmly until the connector is fully inserted.

- Don't rock the card from side to side; instead, press the card straight into the slot.
- Don't force the card. If you meet a lot of resistance, pull the card out. Check the connector and the slot for damage or obstructions, then try inserting the card again.
- Pull the card gently to see if it is properly connected. If it resists and stays in place, and if its gold connectors are barely visible, the card is connected.

- 5 Reinsert the port access cover screw and tighten it to hold the card in place.

Warning: If you remove a card from your computer and do not install a replacement, be sure to place a port access cover over the empty slot. Covers keep foreign objects out of the enclosure. An uncovered slot can affect the airflow that cools the computer's internal components and cause damage.

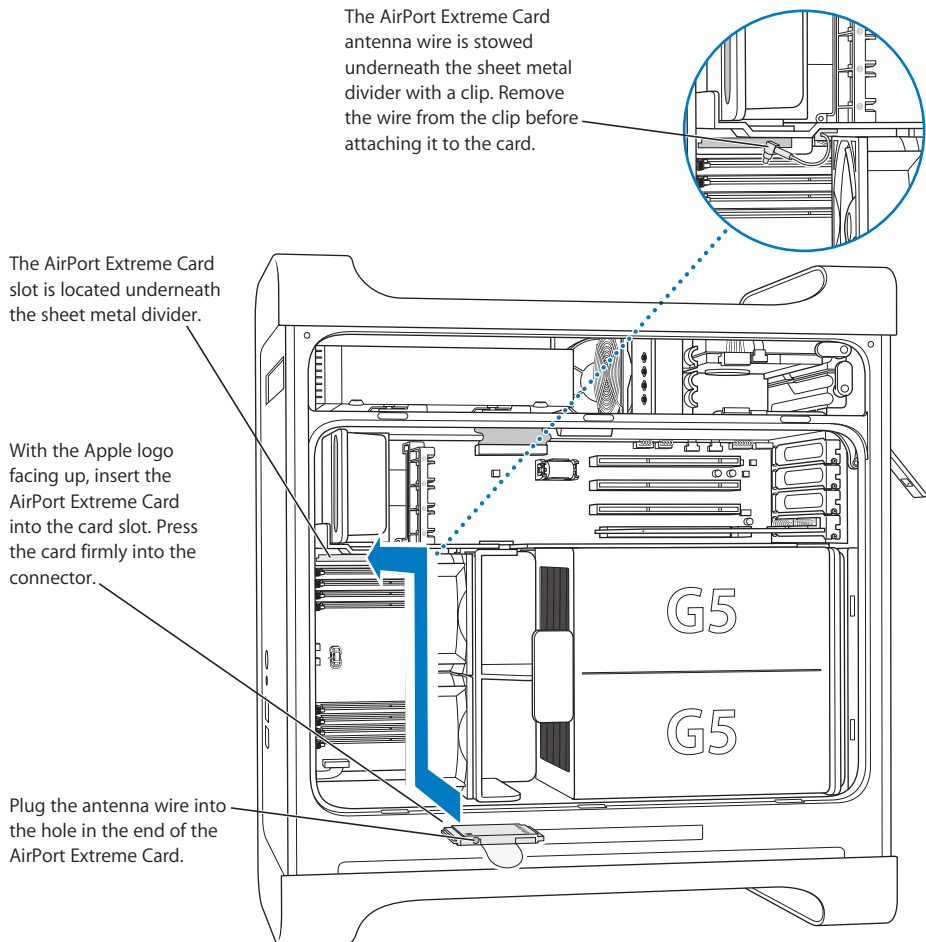
- 6 Replace the air deflector and side panel, following the directions that begin on page 53.

Installing an AirPort Extreme Card

AirPort offers an affordable and easy way to provide wireless Internet access anywhere in the home, at work, or in the classroom. You can install an AirPort Extreme Card in your Power Mac G5.

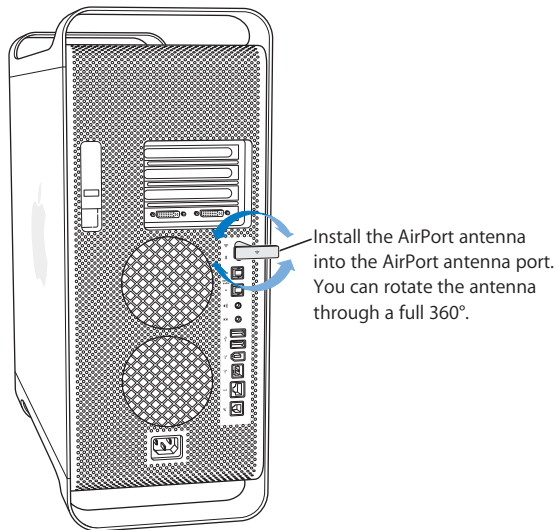
Important: You must install an AirPort Extreme Card. Older AirPort Cards will not work in the Power Mac G5.

- 1 Open your computer following the directions on page 44.
- 2 Position the AirPort Extreme Card with the Apple logo facing up, insert the card into the card slot, and press it firmly into the connector.



- 3 Carefully connect the coaxial antenna wire to the port on the end of the AirPort Extreme Card.

- 4 Replace the front fan assembly, air deflector, and side panel, following the directions that begin on page 52.
- 5 Attach the AirPort Extreme antenna to the AirPort antenna port (📶) on the back panel. To adjust reception, you can rotate the antenna.



Warning: The FCC Rules require that the operator or a nearby person be more than 1 centimeter (0.4 inches) away from the AirPort Extreme antenna during transmission. In addition, the AirPort Extreme antenna must not be co-located with any other transmitter or antenna except for the Apple Bluetooth antenna model A1067.

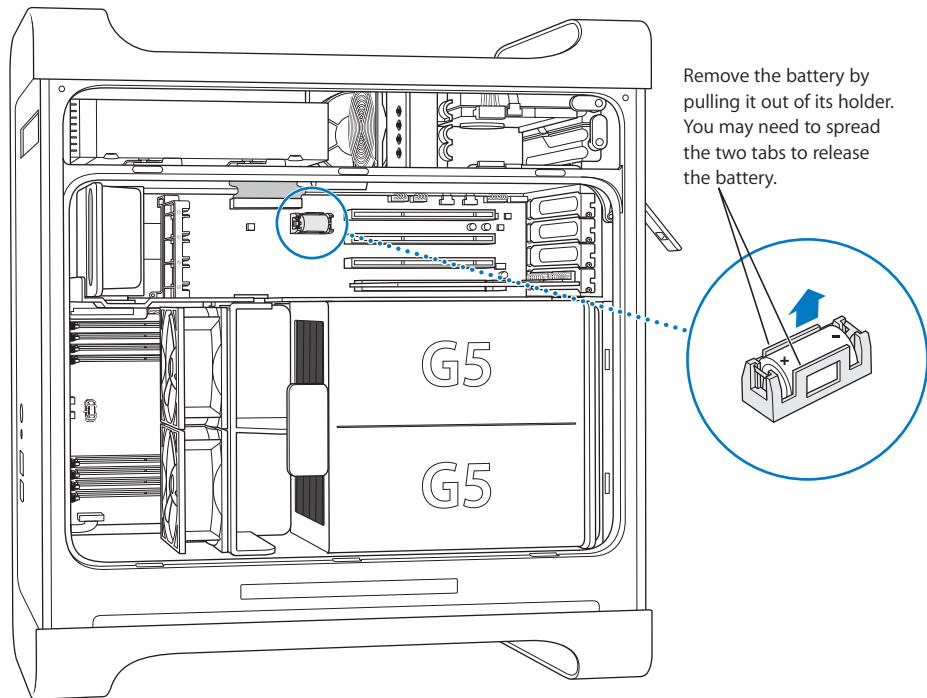
Replacing the Battery

Your computer has a 3.6 V lithium battery on the main logic board. If your computer has intermittent problems starting up or random changes in its date and time settings, you may need to replace the battery. Purchase a replacement battery from an Apple Authorized Reseller.

Important: Batteries contain chemicals, some of which may be harmful to the environment. Please dispose of used batteries according to your local environmental laws and guidelines.

To replace the battery:

- 1 Open your computer following the directions on page 44.



- 2 If a PCI card is installed next to the battery, remove the card.
- 3 Remove the battery from its holder, noting the orientation of the battery's positive end. (A plus sign is marked on or near the battery holder.)

If necessary, spread the tabs holding the battery so you can remove it. Spread the tabs gently so they don't break.



Warning: Installing the battery incorrectly may cause an explosion. Be sure the battery's positive and negative poles are correctly oriented in the holder. Use only the same type of battery or an equivalent recommended by the manufacturer of the original.

- 4 Insert the new battery in the holder, making sure the battery's positive symbol aligns with the positive symbol on or near the holder.
- 5 Replace the air deflector and side panel, following the directions that begin on page 53.

If you have a problem while working with your computer, here are some things you can try right away.

The computer won't respond or the pointer won't move.

First, make sure the mouse and keyboard are connected.

- Unplug and then plug in the connectors and make sure they are firmly seated.

Then try to cancel what the computer is doing.

- Press the Command (⌘) and Q keys at the same time to try to quit the current application.
- Press the Command (⌘) and period keys at the same time. If a dialog appears, click Cancel.
- *In Mac OS X*, choose Apple () > Force Quit and select the application you would like to quit. Restart the computer by choosing Apple () > Restart to be sure the problem is entirely cleared up. You can also force quit by pressing the Esc, Option, and Command (⌘) keys at the same time.
- *In Classic*, hold down the Esc, Option, and Command (⌘) keys at the same time to force an application to quit.
 - If that doesn't work, hold down the power button on the front of the computer for 5 seconds. After the computer turns off, press the button again to turn it on.
 - If all else fails, unplug the power cord to turn the computer off, then plug in the power cord and use the front panel power button to restart the computer.
- *If the problem occurs only when you use a particular program*, check with the program's manufacturer to see if it is compatible with your computer.
- *If the problem occurs frequently*, choose Help > Mac Help.
 - *In Mac OS X*, search for "solve problems."
 - *In Classic*, look at the section on how to prevent and solve problems. You may also need to check for extension conflicts.

The computer won't turn on or start up.

- Make sure the power cord is connected to a working power source. The plug on the power cord must be completely inserted into the computer's power socket and firmly seated for your computer to operate correctly.
- If your computer still does not start, try resetting the parameter random access memory (PRAM). Turn on the computer and immediately hold down the Command (⌘), Option, P, and R keys until you hear the startup sound a second time. Release the keys. Set your hard disk as the computer's startup disk, by doing the following:

- 1 Choose Apple () > System Preferences
- 2 Click Startup Disk
- 3 Select your hard disk

The PRAM is reset to the default values and your clock settings may need to be reset.

- If your computer does not start up after resetting the PRAM, restart your computer while holding down the Option key to select your startup system.
- If this doesn't work, restart your computer while holding down the Shift key.

The status light flashes and the computer won't start up.

- If you recently installed additional memory, a PCI expansion card, or another internal component, make sure that it is correctly installed and that it is compatible with your computer. See if removing it allows the computer to start up.
- If the status light still flashes, determine the number of flashes to identify the problem:
 - 2 flashes: no RAM installed
 - 3 flashes: incompatible RAM installed
 - 4 flashes: no good DIMM banks
 - 5 or 6 flashes: contact an Apple Authorized Service Provider

You are unable to eject a disc.

A file on the disc may be in use. Quit applications that are open, then try again.

If that doesn't work, choose Apple () > Restart and hold down either the mouse button or the Media Eject (⏏) key on your Apple Keyboard.

If that doesn't work:

- 1 Shut down the computer.
- 2 Carefully press down the front panel covering the front of the drive tray and locate the small hole below the drive tray.
- 3 Carefully insert the end of a large straightened paper clip into the hole.
- 4 Push firmly until the tray opens.
- 5 Pull out the tray, remove the disc, and push the tray to close it.

Software Problems

Important: To use Mac OS 9 applications with your computer, you must install Mac OS 9 (see “Installing Mac OS 9” on page 77). To start the Classic environment, open a Mac OS 9 application or double-click a document that requires a Mac OS 9 application. Classic works in the background to access Mac OS 9 features and software applications.

You have a problem with a software program.

- Use Software Update to ensure that you have the latest drivers, bug fixes, and other updates.
- For problems with software from a manufacturer other than Apple, contact the manufacturer.

You have a problem using your computer or working with Mac OS X.

- Look in Mac OS Help (in the Help menu) for instructions and troubleshooting information.
- Go to the Apple Support website on the Internet for the latest troubleshooting information and software updates: www.apple.com/support.

You have trouble using AirPort wireless communication.

- Make sure you have properly configured the software according to the instructions that came with your AirPort Extreme Card, AirPort Express, or AirPort Base Station.
- Make sure the computer or network you are trying to connect to is running and has a wireless access point.
- Make sure you are within antenna range of the other computer or the network’s access point. Nearby electronic devices or metal structures can interfere with wireless communication and reduce this range. Repositioning or rotating the computer may improve reception.
- Check the AirPort signal level. You may have up to four bars in the AirPort status icon in the menu bar.
- For more information, see the instructions that came with the wireless device or search for “AirPort” in Mac Help.

Problems With Your Display

Warning: If you have a problem with your Apple display and nothing presented in this manual solves it, contact an Apple Authorized Service Provider or Apple for assistance. If you attempt to repair the display yourself, any damage you may cause to the display will not be covered by the limited warranty on your display. Contact an Apple Authorized Reseller or Service Provider for additional information about this or any other warranty question.

No image appears on the screen.

- Make sure the display and computer are turned on.
- Make sure the cables are connected properly to your computer and the display.
- Make sure your computer is not in sleep. Press the power button or any key to see if the computer wakes.
- Make sure the display brightness and contrast are set properly. Some displays have brightness and contrast controls on or under their front edges.
- Reset the PRAM by restarting the computer while holding down the Command (⌘), Option, P, and R keys until you hear the startup sound a second time. Then start up using the software installer disc that came with your computer.

The screen image appears dim or flickers.

- Adjust the display brightness and contrast settings. Some displays have brightness and contrast controls on or under their front edges. Depending on how dim your display appears, you may be able to adjust brightness or contrast using the Displays pane of System Preferences.
- Calibrate the display by choosing Apple () > System Preferences. Click Displays, select Color, and click Calibrate.
- The flickering may be caused by interference from a nearby power line, a fluorescent light, or an electrical device—for example, a radio, a microwave oven, or another computer. Try relocating nearby electrical devices or moving your computer and display.

No colors appear on the screen or the colors don't look right.

- Make sure the display is connected firmly to the computer.
- Calibrate your display, as described previously. For more information on color and your display, see Mac Help.
- Open the Displays pane of System Preferences and make sure your display is set to display colors. For more information on color and your display, see Mac Help.

After you change the screen resolution, desktop icons move.

Changing the screen resolution affects the display of information on your screen. The operating system may reposition icons after you change the screen resolution.

The screen freezes.

- Force the application that has frozen to quit. Choose Apple (🍏) > Force Quit and select the application.
- If that doesn't work, force the computer to restart by pressing the power button on the front of your computer for approximately 5 seconds.

The light on the front of the display is flashing.

On some Apple flat-panel displays, the power light displays a series of short flashes when an error has been detected.

- *If you see a repeating sequence of three short flashes*, the display is detecting input in the wrong video format. Make sure your display is compatible with your graphics card and that you've installed the correct display software, if your display came with installation software.
- *If you see a sequence of two short flashes and a long flash*, the display is detecting a problem with a backlighting lamp. Contact an Apple Authorized Reseller or Service Provider.

Using Apple Hardware Test

You can use Apple Hardware Test to help determine if there is a problem with your computer's hardware.

To use Apple Hardware Test:

- 1 Disconnect all external devices from your computer except the keyboard and mouse. If you have an Ethernet cable connected, disconnect it.
- 2 Insert the Mac OS X Install Disc 1 that came with your computer.
- 3 Restart your computer and hold down the Option key as it starts up.
A list of available startup volumes appears.
- 4 Click Apple Hardware Test and click the right arrow.
- 5 Follow the onscreen instructions when the Apple Hardware Test main screen appears (after about 45 seconds).
- 6 Make a note of the error code before pursuing support options.

If Apple Hardware Test detects a problem, it displays an error code. If Apple Hardware Test does not detect a hardware failure, the problem may be software-related.

For more information about Apple Hardware Test, see the Apple Hardware Test Read Me file on Mac OS X Install Disc 1.

Reinstalling the Software That Came With Your Computer

Use the software install discs that came with your computer to reinstall Mac OS X and the applications that came with your computer, and to install Mac OS 9.

Important: Apple recommends that you back up the data on your hard disk before restoring software. Apple is not responsible for any lost data.

Installing Mac OS X

To install Mac OS X:

- 1 Back up your important files, if possible.
- 2 Insert the Mac OS X Install Disc 1 that came with your computer.
- 3 Double-click “Install Mac OS X and Bundled Software.”
- 4 Follow the onscreen instructions.
- 5 Select the destination disk for installation and continue following the onscreen instructions.

Your computer may restart and ask you to insert the next Mac OS X install disc.

Important: Because the “Erase and Install” option erases your destination disk, you should back up your essential files before installing Mac OS X and other applications.

Installing Applications

To install the applications that came with your computer, follow the steps below. Your computer must have Mac OS X already installed.

- 1 Back up your important files, if possible.
- 2 Insert the Mac OS X Install Disc 1 that came with your computer.
- 3 Double-click “Bundled Software.”
- 4 Follow the onscreen instructions.
- 5 Select the destination disk for installation and continue following the onscreen instructions.

To install iCal, iChat, iSync, iTunes, and Safari, follow the “Installing Mac OS X” instructions above.

Installing Mac OS 9

Your computer does not come with Mac OS 9 installed. To use Mac OS 9 applications with your computer, you have to install Mac OS 9 using the Mac OS X Install Disc 2.

To install Mac OS 9:

- 1 Back up your important files, if possible.
- 2 Insert the Mac OS X Install Disc 2 that came with your computer.
- 3 Double-click “Install Mac OS 9 System Support.”
- 4 Follow the onscreen instructions.
- 5 Select the destination disk for installation and continue following the onscreen instructions.

Maximizing Ethernet Performance

Your computer performs best when the Ethernet port to which it is connected is set to auto-negotiate. Ask your network administrator to verify this setting.

Important: If you experience connection problems on your network, make sure your network switch is set to auto-negotiate, if possible. If a switch’s port is not auto-negotiating, your computer detects the appropriate speed but defaults to half-duplex mode. If the switch’s port at the other end of the link is configured for full-duplex mode, a large number of late events can occur on the link. If it isn’t possible to set the switch to auto-negotiate, then set the switch’s port to half-duplex. For more information, see the documentation that came with the Ethernet switch.

Note: If you connect your computer directly to a configurable Ethernet switch, have your network administrator disable spanning tree on that port. Otherwise your computer may duplicate the AppleTalk address of another computer on the same network and both network connections may become unreliable.

Locating Your Product Serial Number

System Profiler shows the serial number of your computer. Open System Profiler (in Applications/Utilities) and click the System Profile tab.

The serial number of your Power Mac G5 is also on the configuration label, which is located inside the side panel, directly below the air deflector.

Processor and Memory Specifications

Processor

- PowerPC processor with 512 kilobytes (KB) of on-chip L2 cache per processor

Random-access memory (RAM)

- Double-Data-Rate (DDR) synchronous dynamic random-access memory (SDRAM)
- All DDR SDRAM supplied in removable dual inline memory modules (DIMMs)
- DIMMs installed in pairs of equal size
- Four or eight DIMM slots available for 400 MHz, PC 3200 DDR SDRAM, depending on your computer model
256 MB DIMMs must have 128 or 256 megabit (Mbit) technology devices;
512 MB DIMMs must have 256 Mbit technology devices; and 1 GB DIMMs must have 512 Mbit technology devices.
- 2.5 volt (V) unbuffered
- 184-pin
- No error-correcting codes (NECC)
- Nonparity

System Profiler, located in Applications/Utilities, provides information about your computer, including the amount of memory.

Graphics Controller

- AGP 8X Pro graphics card with two Digital Visual Interface (DVI) connectors. AGP 3.0 or AGP Pro compliant.

Video Display Modes

For technical specifications for your display:

- *Apple displays:* Go to the Apple website and check the specifications for your product at www.apple.com/displays.
- *Non-Apple displays:* Go to www.apple.com/guide.

Combo Drive (DVD-ROM/CD-RW) Specifications

- *Disc diameters supported:* 12 cm and 8 cm

Data formats

- CD-ROM
- CD-Audio
- CD-R
- CD-RW
- CD-I
- CD-I Bridge
- CD Extended
- CD Mixed Mode
- Photo CD
- Video CD
- Enhanced CD
- DVD-Video
- DVD-ROM
- DVD-R (read only)

SuperDrive (DVD-R/CD-RW) Specifications

- *Disc diameters supported:* 12 cm and 8 cm

Data formats

- CD-ROM
- CD-Audio
- CD-R
- CD-RW
- CD-I
- CD-I Bridge
- CD Extended
- CD Mixed Mode
- Photo CD
- Video CD
- Enhanced CD
- DVD-Video
- DVD±R
- DVD±RW
- DVD+R DL

USB Specifications

- Support for Universal Serial Bus (USB) 2.0 and 1.1
- Five external USB Type A ports
 - One USB 2.0 port on the front
 - Two USB 2.0 ports on the back
 - Two USB 1.1 ports on the Apple Keyboard
- Each rear port is on a separate 480 megabit-per-second (Mbps) USB channel
- 500 milliamperes (mA) at 5 V are available for each USB 2.0 port, for a total of 1.5 amperes

FireWire Specifications

- Support for FireWire 400 and FireWire 800
- Three external FireWire ports
 - One FireWire 400 port on the front
 - One FireWire 400 and one FireWire 800 port on the back
- *Data transfer speed:*
 - *FireWire 400:* 100, 200, and 400 Mbps
 - *FireWire 800:* 100, 200, 400, and 800 Mbps

Power

- *Output voltage:* Approximately 13 to 25 V
- *Output power:* Up to 15 W

Ethernet Specifications

- IEEE 802.3 compliant
- *Maximum cable length:* 100 meters (m)
- *Protocols:* Open Transport, AppleShare, AppleTalk, NetWare for Macintosh, TCP/IP
- *Connector:* RJ-45 for 10Base-T, 100Base-TX, and 1000Base-T
- *Media, 10Base-T:* Category 3 or higher UTP on 2 pairs up to 100 m
- *Media, 100Base-TX:* Category 5 UTP on 2 pairs up to 100 m
- *Media, 1000Base-T:* Category 5 and 6 UTP on 4 pairs up to 100 m
- *Channel speeds:* IEEE Auto Negotiation of 10Base-T, 100Base-TX, and 1000Base-T

Modem Specifications

- *Data communications standard:* K56Flex and V.92
- *Speed:* 53 kilobits per second (Kbps)
- *Fax standard:* ITU V.17

Bluetooth Specifications (Optional)

- *Wireless data rate:* Up to 3 Mbps
- *Range:* Up to 10 meters or 33 feet (data rates may vary depending on environmental conditions)
- *Frequency band:* 2.4 gigahertz (GHz)

AirPort Extreme Card (Optional) Specifications

- *Wireless data rate:* Up to 54 Mbps
- *Range:* Up to 150 feet (data rates may vary depending on environmental conditions)
- *Frequency band:* 2.4 gigahertz (GHz)
- *Radio output power:* 15 dBm (nominal)

Compatibility

- 802.11 Direct Sequence Spread Spectrum (DSSS) 1 and 2 Mbps standard
- 802.11b 11Mbps standard
- 802.11g 54 Mbps standard

Optical Digital Audio Specifications

- *Data format:* Sony/Phillips Digital Interface (S/PDIF) protocol (IEC60958-3)
- *Connector type:* Toslink optical (IEC60874-17)
- *Bits per sample:* 16-bit or 24-bit

Optical digital audio out

Based on a typical situation with playback of a 1KHz, -1dBFS 24-bit sine wave, 44.1KHz output sample rate, unless otherwise specified below.

- *Output sample rate:* 32 kHz, 44.1 kHz or 48 kHz
- *Signal-to-noise ratio:* Greater than 130 dB
- *Total harmonic distortion + noise:* Less than -130 dB (0.00001 percent)

Optical digital audio in

Based on a typical situation with playback of a 1KHz, -1dBFS 24-bit sine wave, unless otherwise specified below.

- *Fsi-input sample rate (external clock mode):* 32 kHz, 44.1 kHz or 48 kHz
- *Fsi-input sample rate (internal clock mode):* 16 kHz to 96 kHz
- *Signal-to-noise ratio (external clock mode):* Greater than 130 dB
- *Signal-to-noise ratio (internal clock mode, 16 kHz < Fsi < 96 kHz):* Less than -112 dB
- *Total harmonic distortion + noise (external clock mode):* Less than -130 dB (0.00001%)
- *Total harmonic distortion + noise (internal clock mode, 16 kHz < Fsi < 96 kHz):* Less than -112 dB (0.0003%)

Analog Audio Specifications

- *Sample rate:* 32 kHz, 44.1 kHz or 48 kHz
- *Jack type:* 1/8" mini
- *Bits per sample:* 16-bit or 24-bit
- *Frequency response:* 20 Hz to 20 kHz, +0.5 dB/-3 dB

Sound out using the headphone jack

- *Output voltage:* 1.4 volts (root mean square) (V_{rms}) (+4 dB μ)
- *Output impedance:* 24 ohms
- *Output power:* 20 milliwatts (mW)
- *Signal-to-noise ratio:* Greater than 90 dB
- *Total harmonic distortion:* Less than -80 dB (0.01 percent)
- *Channel separation:* Greater than 65 dB

Analog audio line-in

- *Maximum input voltage:* 2 V_{rms} (+8 dB μ)
- *Input impedance:* Greater than 47 kilohms
- *Signal-to-noise ratio:* Greater than 90 dB
- *Total harmonic distortion:* Less than -85 dB (0.006 percent)
- *Channel separation:* Greater than 75 dB

Analog audio line-out

- *Output voltage:* 1.4 V_{rms} (+4 dB μ)
- *Output impedance:* 24 ohms
- *Signal-to-noise ratio:* Greater than 90 dB
- *Total harmonic distortion:* Less than -80 dB (0.01 percent)
- *Channel separation:* Greater than 65 dB

Power Supply

AC line input

- *Voltage range:* 100–240 V alternating current (AC)
- *Current:* 7.5 amperes (A) or 9.5 amperes (A)
- *Frequency:* 50–60 Hz

DC display output

- Dependent on video card

Power Requirements for Devices You Can Connect

Expansion cards

- Combined maximum power available for the AGP and PCI cards is 90 W.

USB devices

- Each of the computer's built-in USB ports is allotted 500 mA.

FireWire devices

- The computer can provide up to 15 W total to the FireWire ports.

System Clock and Battery

- CMOS custom circuitry with long-life lithium battery. You can replace the computer's battery (see "Replacing the Battery" on page 69) with a new one purchased from an Apple Authorized Reseller.

Dimensions and Operating Environment

Dimensions

- *Weight:* 17.84 kg (39.32 lbs.)

Weight depends on configuration. The weight above is for a basic configuration and may be greater if optional devices are installed.

- *Height:* 511 mm (20.12 in.)
- *Width:* 206 mm (8.11 in.)
- *Depth:* 475 mm (18.70 in.)

Operating environment

- *Operating temperature:* 10° to 35° C (50° to 95° F)
- *Storage temperature:* -40° to 47° C (-40° to 116° F)
- *Relative humidity:* 5% to 95% (noncondensing)
- *Altitude:* 0 to 3048 meters (0 to 10,000 feet)

This appendix provides important information about safety procedures, routine maintenance, and ergonomic considerations for using your computer and display.

Important Safety Information

The only way to disconnect power completely from your computer is to unplug the power cord from the main power supply. To disconnect your display completely, you must also unplug its power cable from the computer or power outlet. Make sure that at least one end of the device's power cord is within easy reach so that you can unplug the computer or display when necessary.

For your own safety and that of your equipment, always take the following precautions.

Disconnect the power plug (by pulling the plug, not the cord), from your computer or display and disconnect the phone cord if any of the following conditions exists:

- The power cord or plug becomes frayed or otherwise damaged
- You spill something into the case
- Your computer or display is exposed to rain or any other excess moisture
- Your computer or display has been dropped or the case has been otherwise damaged
- You suspect that your computer or display needs service or repair
- You want to clean the computer or display case or screen
- You notice a coolant leak in or from your computer (for Power Mac G5 models equipped with a liquid cooling system)

- If you plan to store your computer for an extended period of time, remove the battery.



Warning: To prevent accidents and damage to your computer or display, be sure that you always follow these instructions:

- Keep your computer and display away from sources of liquids and moisture.
- Don't set anything on top of the computer or display.
- Keep the computer and display vents free from obstruction.
- Never remove the case from the display or open your computer when it's running. You could come in contact with hazardous voltage.
- During lightning storms, disconnect your modem from the phone jack to prevent damaging the modem with a destructive voltage overload.

Your Macintosh is equipped with a three-wire grounding plug—a plug that has a third grounding pin. This is a safety feature. Don't modify the plug to fit into an ungrounded outlet. Contact a licensed electrician to replace the outlet with a properly grounded one. Do not defeat the purpose of the grounding plug!

Be careful when lifting or moving your computer or display. Be sure to use correct lifting procedures, lifting with your legs. When carrying the display, make sure the display is facing you. Don't carry the display by its stand. Be careful when lifting or moving your computer or display. Be sure to use correct lifting procedures, lifting with your legs. When carrying the display, make sure the display is facing you. Don't carry the display by its stand.

Electrical equipment may be hazardous if misused. Operation of this product by children must always be supervised by an adult. Do not allow children access to the interior of any electrical product and do not permit them to handle any cables.

Liquid Cooling System

Some Power Mac G5 models use a liquid cooling system to manage the temperature in the computer. The liquid cooling system is sealed and is designed to be opened only by an Apple Authorized Service Provider (AASP).



Warning: Do not attempt to open or service the liquid cooling system. Opening the liquid cooling system may damage your equipment, and such damage may not be covered by the limited warranty on your computer.



Warning: Always operate your computer in an upright position. In the unlikely event that coolant leaks in or from your computer, disconnect all electrical power to the computer and do not restart it. Contact an Apple Authorized Service Provider or Apple for information about servicing your computer.

After disconnecting electrical power, you can clean up coolant using an absorbent cloth. Avoid inhaling or direct contact with skin. Coolant may cause minor skin irritation. If coolant contacts skin, wash well with soap and water. If coolant contacts eyes, rinse thoroughly with water. Dispose of all clean-up materials in accordance with your local environmental laws, regulations, and guidelines.

Coolant may be harmful if swallowed. Material Safety Data Sheets (MSDS) are available at www.apple.com/environment/resources/msds.html.

For service or questions about your warranty, contact an Apple Authorized Service Provider or Apple. Service and support information is included with your computer's documentation.

Apple and the Environment

At Apple, we recognize our responsibility to minimize the environmental impacts of our operations and products.

For More Information

Go to www.apple.com/environment/summary.html.

General Maintenance

If you need to clean the computer or display beyond wiping it down with a clean cloth, follow these instructions:

- 1 Turn your computer and display off.
- 2 Disconnect the computer power cable from the electrical outlet or power strip. If your display is connected to an outlet, disconnect it as well.
- 3 Disconnect the display's cables from the computer.
- 4 Clean the display screen with soft, lint-free paper or cloth dampened with mild soap and water.



Warning: Do not spray liquid directly onto the display screen. Liquid could drip inside the display and cause electrical shock.

- 5 Wipe the computer or display case surfaces lightly with a clean, soft cloth dampened with water.

Important: Don't use alcohol, aerosol sprays, solvents, or abrasives that might damage the finish on the case.

Protecting Your Optical Drive

To keep your optical drive working properly:

- Position your computer so that the drive tray doesn't bump into anything when it opens.
- Close the drive when you're not using it.
- Do not put anything on the drive tray when it is open.
- Do not touch the optical drive lens with your fingers. Do not wipe the lens with a paper towel or other abrasive surface. If you need to clean the lens, see an Apple Authorized Service Provider for a lens cleaner.
- Keep your computer away from any source of moisture.

Maintaining Your Display

To maintain your display and ensure its long life:

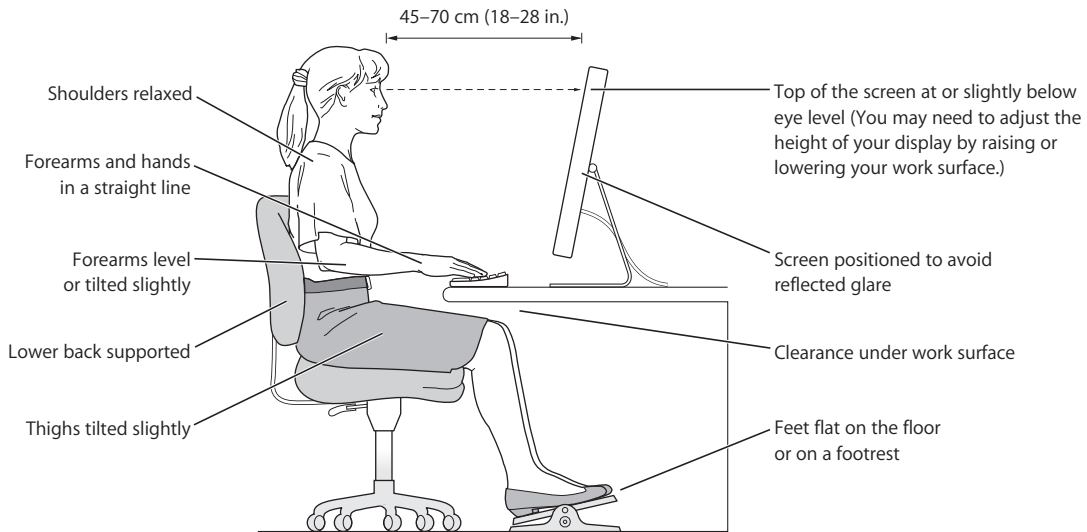
- Do not press on the surface of the display screen.
- Do not write on the screen or touch the screen with a sharp object.
- If you will not be using your display and computer for a day or more, turn off the computer and display or use Energy Saver.
- Turn off your display, turn down the brightness, or use a screen saver program that dims or varies the image on the screen when the computer is idle for a prolonged time.

Important Ergonomic and Health-Related Information

Here are some guidelines for adjusting the furniture in your office to reduce glare and to accommodate your physical size and shape.

- An adjustable chair that provides firm, comfortable support is best. Adjust the height of the chair so your thighs are tilted slightly and your feet are flat on the floor. The back of the chair should support your lower back (lumbar region). Follow the manufacturer's instructions for adjusting the backrest to fit your body properly.
- When you use the computer keyboard, your shoulders should be relaxed. Your upper arm and forearm should form an approximate right angle, with your wrist and hand in roughly a straight line.
You may have to raise your chair so your forearms and hands are at the proper angle to the keyboard. If this makes it impossible to rest your feet flat on the floor, you can use a footrest with adjustable height and tilt to make up for any gap between the floor and your feet. Or you can lower the desktop to eliminate the need for a footrest. Another option is to use a desk with a keyboard tray that's lower than the regular work surface.
- Position the mouse at the same height as your keyboard. Allow adequate space to use the mouse comfortably.

- Arrange the display so the top of the screen is slightly below your eye level when you're sitting at the keyboard. The best distance from your eyes to the screen is up to you, although most people seem to prefer 18 to 28 inches (45 to 70 cm).
- Position the display to minimize glare and reflections on the screen from overhead lights and nearby windows. If possible, use a tiltable display stand. The stand lets you set the display at the best angle for viewing, helping to reduce or eliminate glare from lighting sources you can't move.



For more information about health, safety, and maintenance, go to the Apple ergonomic website at www.apple.com/about/ergonomics.

You can use your computer to browse the World Wide Web, send email to friends and family, and chat in real time over the Internet. Use this detailed guide to connect to the Internet.

When you first start up Mac OS X, the Setup Assistant helps you enter your Internet configuration information.

If you didn't use the Setup Assistant to configure your Internet connection, you can use it now. Open System Preferences and click Network. Click the "Assist me" button to open Network Setup Assistant. If you don't want to use Network Setup Assistant, you can use the information in this appendix to set up your connection manually.

There are four kinds of Internet connections:

- **Dial-up connection:** Your computer is plugged into a telephone wall jack using a telephone cable (with computers that include a modem).
- **High-speed DSL or cable modem connection:** Your computer is plugged into a special modem you get from an ISP using an Ethernet cable.
- **AirPort Extreme wireless connection:** Your computer is connected wirelessly to the Internet using an AirPort Extreme or AirPort Express Base Station.
- **Local area network (LAN):** Your computer is plugged into a LAN using an Ethernet cable. This type of connection is usually used in the workplace.

Before you connect to the Internet:

- 1 Set up an account with an ISP. You can find an ISP in your phone directory. Look under "Internet access," "Internet service," or "online."

Note: If you want to use America Online as your ISP, skip the Internet setup part of the Setup Assistant. You need the AOL installer application. Open the AOL Installer application and follow the onscreen instructions to set up AOL.

- 2 Gather the connection information you need from your ISP or network administrator. In some cases, if another computer in the same location is already connected to the Internet, you may be able to use its settings.

To find the settings on a Mac OS X computer:

- Open the Network pane of System Preferences.
- Choose your connection method from the Show pop-up menu.
- Copy the information for your configuration.

To find the settings on a Mac OS 9 computer:

- Open the TCP/IP control panel.
- Find the connection method in the “Connect via” pop-up menu.
- Find the configuration in the Configure pop-up menu.
- Copy the IP address, subnet mask, and router address from the corresponding fields.

To find the settings on a Windows PC:

The connection information on a Windows computer resides in two places.

- To find the IP address and subnet mask, open the “Network and Internet Connections” control panel.
- To find user account information, open the User Accounts control panel.

You can write the information directly on the next few pages, then enter it in the Setup Assistant.

- 3 If you are using a dial-up modem, plug a phone cord (included with most Macintosh computers) into your computer’s modem port and into a phone wall jack. If you are using a DSL or cable modem, follow the instructions that came with the modem to connect it to your computer.
- 4 Turn on your computer and enter information in the Setup Assistant to configure your Internet connection.

Note: If you already started your computer and did not use the Setup Assistant to configure your Internet connection, choose Apple (🍏) > System Preferences and click Network. Then click “Assist me.” The Setup Assistant opens.

Gathering the Information You Need

You can write the information you get from your Internet service provider (ISP), your network administrator, or your other computer on these pages, then enter it in Network Setup Assistant.

To set up a telephone dial-up connection, gather the following information:

- Service provider name
- User or account name
- Password
- ISP phone number
- Alternate phone number
- Dialing prefix to obtain an outside line

To set up a DSL, cable modem, LAN, or AirPort Extreme wireless connection:

- First, choose your connection method (ask your system administrator or your ISP, if you don't know):
 - Manually
 - Using DHCP with a manual address
 - Using DHCP
 - Using BootP
 - PPP

If you're unsure which method to use, "Using DHCP" may be a good choice, because the network supplies most of the required information for you automatically.

If you selected "Manually" or "Using DHCP with a manual address," gather the following:

- IP address
- Subnet mask
- Router address

Note: If you selected "Using DHCP with a manual address," you don't need a subnet mask or router address.

If you selected "Using DHCP," gather the following optional information (ask your ISP if you need it):

- DHCP client ID
- DNS servers

If you selected “PPP” (for PPPoE connections), gather the following:

- Service provider
- Account name
- Password
- PPPoE service name

The information below is optional. Ask your ISP or system administrator if you need it.

- DNS servers
- Domain name
- Proxy server

Entering Your Information

After gathering your specific setup information from your ISP or network administrator, you can click the “Assist me” button in the Network preferences pane to open Network Setup Assistant, or you can enter the information manually.

To enter your information manually, follow the steps that correspond to your connection method.

- Dial-up modem with Point-to-Point Protocol (PPP) connection (see page 94)
- Cable modem, DSL, or LAN connection (page 98) using these configurations:
 - Manual
 - DHCP
 - PPPoE
- AirPort Extreme wireless connection (see page 102)

Dial-Up Connection

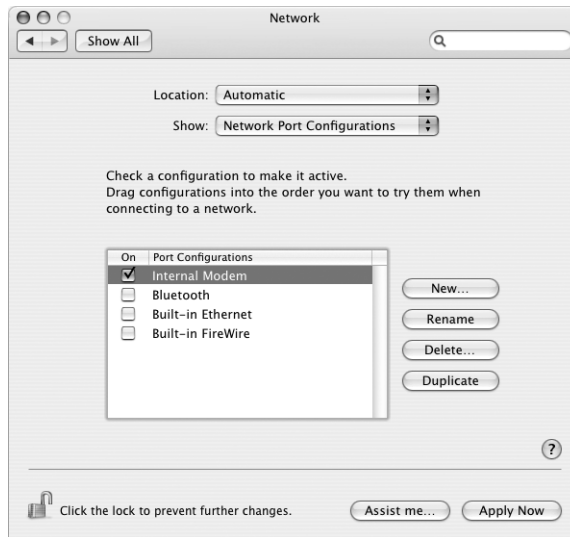
A dial-up modem is the most common way to connect to the Internet. Your modem uses a method called Point-to-Point Protocol (PPP) to connect to an ISP.

Make sure your modem is plugged into a phone line and you have the information from your ISP available.

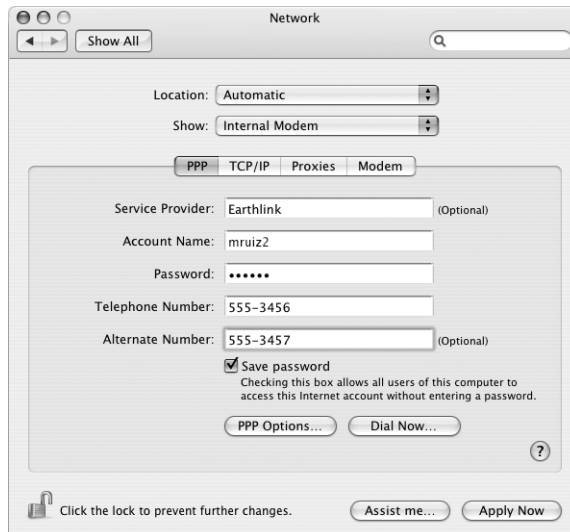
To set up Network preferences for the internal modem port:

- 1 Choose Apple (🍏) > System Preferences from the menu bar.
- 2 Click Network.

- 3 Choose Network Port Configurations from the Show pop-up menu and select the On checkbox next to Internal Modem.



- 4 Drag Internal Modem to the top of the Port Configurations list to make it the preferred, or primary, network interface.
- 5 Choose Internal Modem from the Show pop-up menu and click PPP.
- 6 Enter the information from your ISP and click Apply Now.



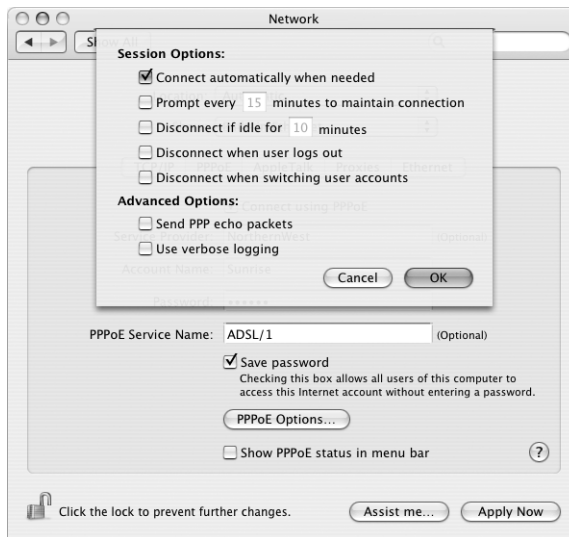
To test your Internet configuration:

- 1 Open the Internet Connect application (in the Applications folder).
- 2 Click the Internal Modem icon, if necessary.
- 3 Enter your dial-up telephone number, account name, and password, if necessary.
- 4 Click Connect.

Internet Connect dials your ISP and establishes a connection.

To connect automatically when you start an Internet application, such as a web browser or email:

- 1 Click PPP Options (in the PPP pane of Network preferences).
- 2 Select the “Connect automatically when needed” checkbox.



- 3 Click OK and Apply Now.

DSL, Cable Modem, or LAN Internet Connections

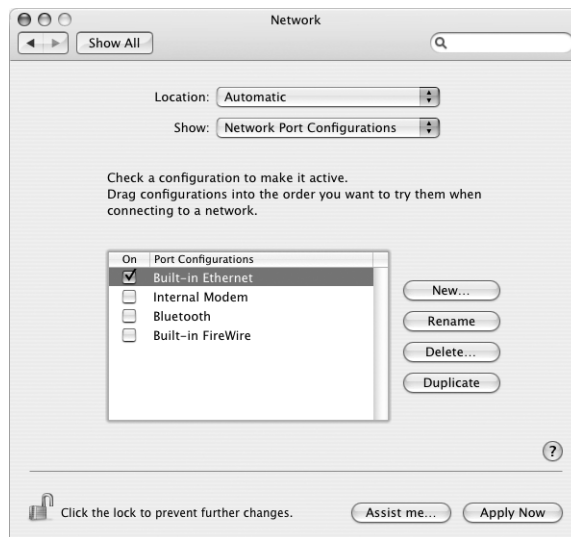
If you connect to the Internet using a DSL or cable modem or Ethernet LAN, ask your ISP or network administrator how you should configure your Internet connection:

- **Manually:** With a manual configuration, your ISP or network administrator provides a static IP address and other information that you enter in Network preferences.
- **Using Dynamic Host Configuration Protocol (DHCP):** With a DHCP configuration, the DHCP server automatically enters the information for you.
- **Using Point-to-Point Protocol over Ethernet (PPPoE):** If you use a DSL modem and need a user name and password to connect to the Internet, you may need to configure your network to use PPPoE.

Make sure you have the information from your ISP available as you configure your network.

To set up Network preferences for the built-in Ethernet port:

- 1 Choose Apple () > System Preferences from the menu bar.
- 2 Click Network.
- 3 Choose Network Port Configurations from the Show pop-up menu.
- 4 Select the On checkbox next to Built-in Ethernet.



- 5 Drag Built-in Ethernet to the top of the Port Configurations list to make it the preferred, or primary, network interface.

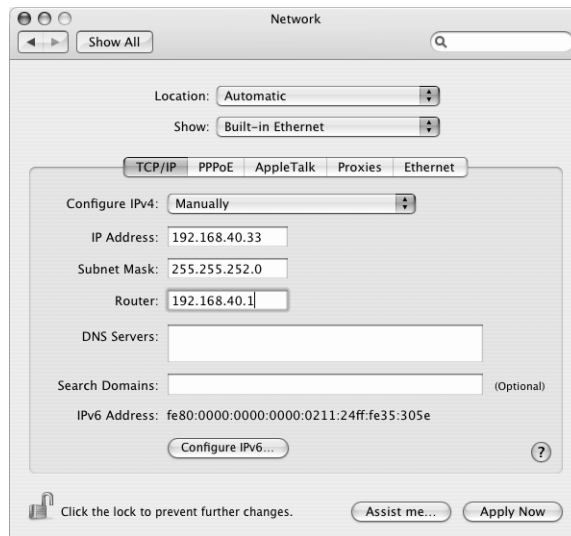
Next, follow the instructions to configure your network manually, using DHCP, or using PPPoE, as instructed by your ISP or network administrator.

Manual Configuration

Have your static IP address, router address, and subnet mask from your ISP ready.

To set up a manual configuration:

- 1 In Network preferences, choose Built-in Ethernet from the Show pop-up menu.
- 2 Click TCP/IP, if necessary.
- 3 Choose Manually from the Configure IPv4 pop-up menu.



- 4 Type the other information into the corresponding fields.
- 5 Click Apply Now.

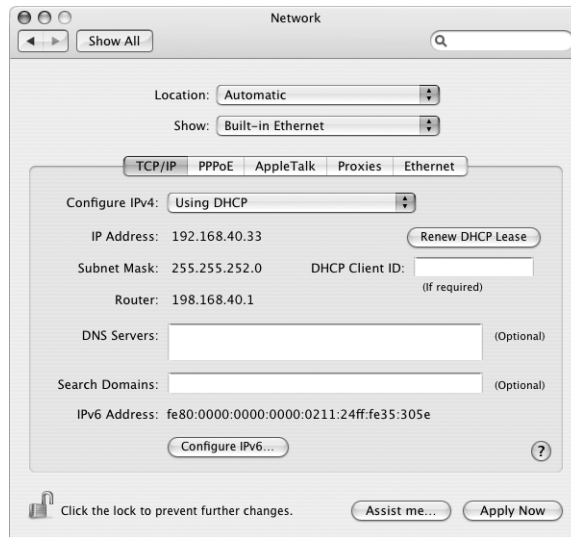
Once you configure your network, your connection is ready. Open your web browser (or another TCP/IP application) to test your Internet connection.

DHCP Configuration

After you set up a DHCP configuration, the DHCP server automatically provides your network information.

To set up a DHCP configuration:

- 1 In Network preferences, choose Built-in Ethernet from the Show pop-up menu.
- 2 Click TCP/IP, if necessary.
- 3 Choose Using DHCP from the Configure IPv4 pop-up menu.



- 4 Click Apply Now.

Open your web browser (or another TCP/IP application) to test your Internet connection.

Note: Unless your ISP instructs you to do otherwise, ignore the DHCP Client ID field and the Search Domains field.

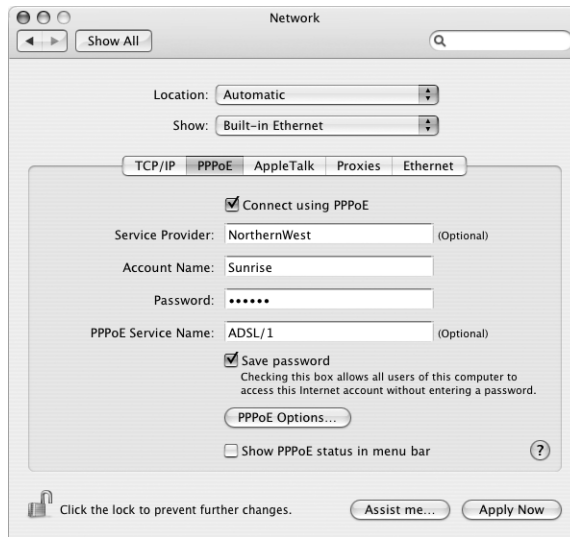
PPPoE Configuration

Some DSL-based ISPs use Point-to-Point Protocol over Ethernet (PPPoE). If you use a DSL modem and need a user name and password to connect to the Internet, check with your ISP to determine if you should connect using PPPoE.

To set up a PPPoE connection:

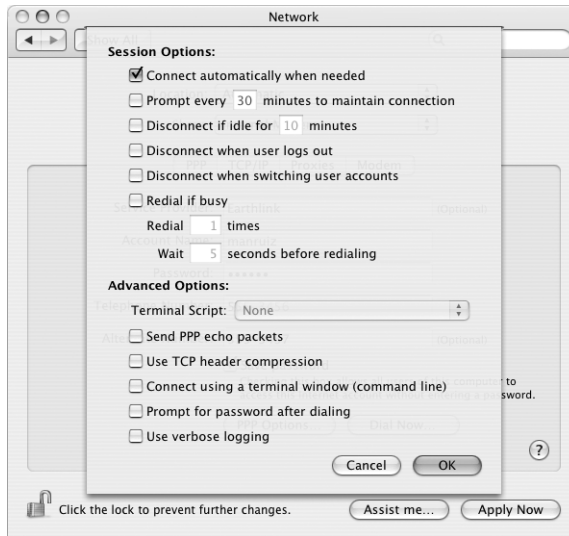
Have your user name, password, and if required, the domain name server (DNS) address from your ISP available as you configure your network.

- 1 In Network preferences, choose Built-in Ethernet from the Show pop-up menu.
- 2 Click PPPoE and select “Connect using PPPoE.”

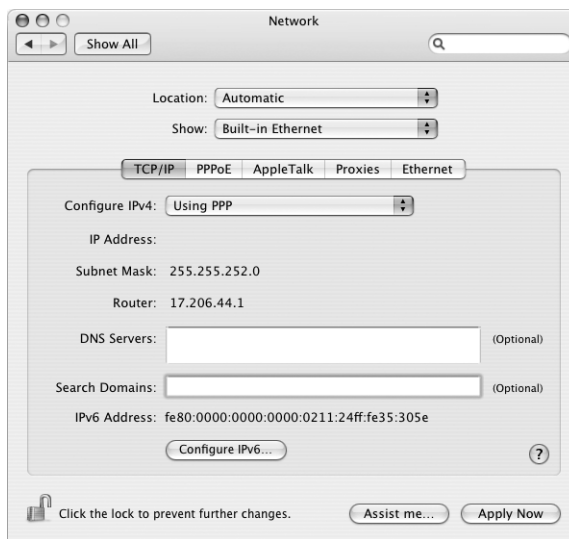


- 3 Type the information into the corresponding fields. If you want all users of your computer to use the same connection method, select “Save password.”

Note: To connect automatically when you start a TCP/IP application, such as a web browser or email, click PPPoE Options, then select “Connect automatically when needed” and click OK.



- 4 Click TCP/IP and choose either Using PPP or Manually from the Configure IPv4 pop-up menu, as instructed by your ISP. If you have a static IP address from your ISP, choose Manually and type the address in the IP Address field.
- 5 Type the domain name server (DNS) addresses in the DNS Servers field.



- 6 Click Apply Now.

Once you configure your network, your Internet connection is ready. You can open your web browser or other TCP/IP application to test your connection.

Important: If you did not select the option to connect automatically, you will need to open the Internet Connect application, choose the correct configuration, and then click Connect. For more information, choose Help > Internet Connect Help from the menu bar at the top of the display.

AirPort Wireless Connection

If your Power Mac G5 has an AirPort Extreme Card installed, you can configure your AirPort network and Internet connection using AirPort Setup Assistant, located in the Utilities folder within your Applications folder. The assistant helps you configure the AirPort Base Station and set up your computer to use AirPort. For more information about your AirPort Base Station, see the *AirPort Base Station Setup Guide* that came with your base station.

If your AirPort Base Station is already configured, in most cases your AirPort Extreme Card is ready to access it immediately.

To check if you have access to an AirPort network:

- Click the AirPort status icon in the menu bar and choose an AirPort network listed there.



If you don't see an AirPort network listed, you can use AirPort Setup Assistant to check or change your settings, or you can change them using the Network pane of System Preferences.

Setting Up an AirPort Connection Manually

Gather the following information from your system administrator if you'll be setting up a manual connection.

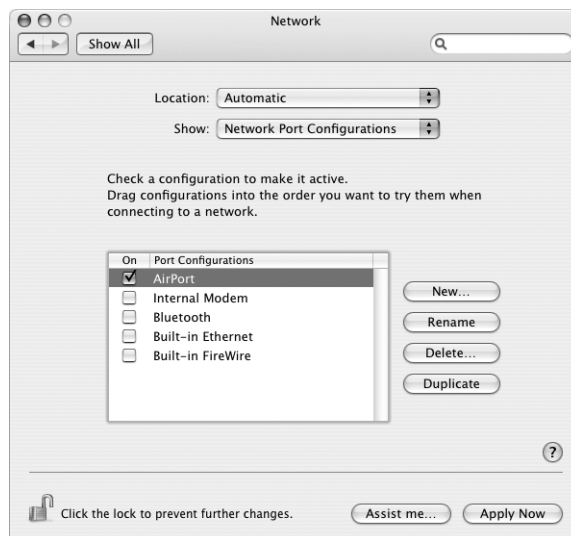
If you'll be connecting using DHCP, most of this information is provided to your computer automatically by the network, so ask your system administrator what is required.

- Domain name server (DNS) addresses, if necessary
- DHCP or manual IP address configuration
- IP address
- Router address
- Subnet mask
- Password, if required

Next, make sure your AirPort connection options are active in Network preferences.

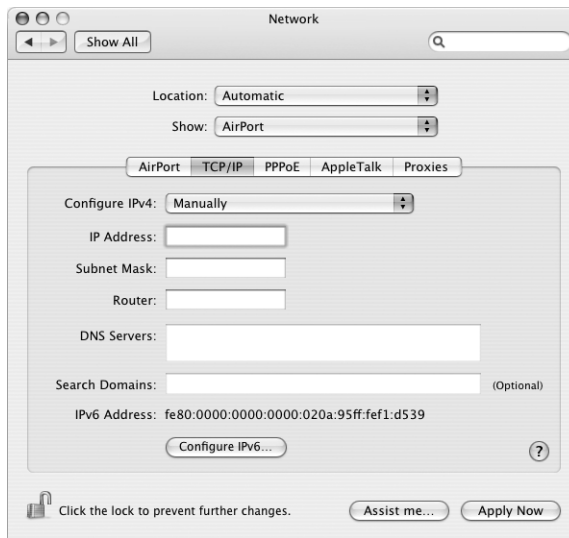
To set up Network preferences for an AirPort connection:

- 1 Choose Apple () > System Preferences from the menu bar.
- 2 Click Network.
- 3 Choose Network Port Configurations from the Show pop-up menu.
- 4 Select the On checkbox next to AirPort.



Next, follow the instructions to configure your network either manually or using DHCP, as instructed by your ISP or network administrator. If you're setting up your network yourself, it may be easier to configure the network using DHCP, because the server assigns IP addresses automatically.

- 5 Choose AirPort from the Show pop-up menu.
- 6 Click TCP/IP, if necessary.
- 7 In the Configure IPv4 pop-up menu, choose either Manually or Using DHCP.



- If you chose Manually, type the other information into the corresponding fields.
 - If you chose Using DHCP, you don't need to enter any further information unless your system administrator has instructed you to do so.
- 8 Click AirPort and select options for joining an AirPort Extreme network after restarting or when your computer wakes from sleep.
 - 9 Click Apply Now.

Once you configure your AirPort settings, you are ready to connect.

To test your AirPort connection:

- Click the AirPort status icon in the menu bar and choose Turn AirPort On. Any AirPort Extreme network in range should appear in the menu.

Troubleshooting Your Connection

Cable Modem, DSL, and LAN Internet Connections

If you can't connect to the Internet using your AirPort, built-in Ethernet, or internal modem, you can use Network Diagnostics to diagnose connection problems. Click "Assist me" in the network pane of System Preferences, click Diagnostics, and follow the onscreen instructions.

If Network Diagnostics can't resolve the problem, there may be a problem with the Internet service provider (ISP) you are trying to connect to, with an external device you are using to connect to your ISP, or with the server you are trying to access. You can also try the following steps:

Check the cables and power supplies

Make sure all modem cables are firmly plugged in, including the modem power cord, the cable from the modem to the computer, and the cable from the modem to the wall jack. Check the cables and power supplies to Ethernet hubs and routers.

Turn the modem on and off and reset the modem hardware

Turn off your DSL or cable modem for a few minutes, then turn it back on. Some ISPs recommend that you unplug the modem's power cord. If your modem has a reset button, you can press it either before or after you turn the power off and on.

PPPoE Connections

If you are unable to connect to your Internet service provider using PPPoE, first check the cables and power supplies, then turn the power off and on and reset the modem hardware.

Check System Preferences settings:

- 1 Choose Apple () > System Preferences.
- 2 Click Network.
- 3 Choose Network Port Configurations from the Show pop-up menu.
- 4 Drag Built-in Ethernet to the top of the Port Configurations list.
- 5 Choose Built-in Ethernet from the Show pop-up menu.
- 6 Click PPPoE.
- 7 Select "Connect using PPPoE."
- 8 Check the Account Name field to be sure you have entered the correct information from your ISP.
- 9 Retype your password if you chose to save your password, to be sure it is correct.
- 10 Click TCP/IP. Make sure you've entered the correct information from your ISP in this pane.
- 11 Click Apply Now.

Network Connections

If you have two or more computers attempting to share an Internet connection, be sure that your network is set up properly. You need to know if your ISP provides only one IP address or if it provides multiple IP addresses, one for each computer.

If only one IP address is used, then you must have a router capable of sharing the connection, also known as network address translation (NAT) or “IP masquerading.” For setup information, check the documentation provided with your router or ask the person who set up your network. The AirPort Extreme Base Station may be used to share one IP address among multiple computers. For information on using the AirPort Extreme Base Station, check the onscreen help or visit the Apple AirPort website at www.apple.com/airport.

If you cannot resolve the issue using these steps, contact your ISP.

Communications Regulation Information

FCC Compliance Statement

This equipment has been tested and found to comply with the limits for a Class B digital device, pursuant to part 15 of the FCC Rules. These limits are designed to provide reasonable protection against harmful interference in a residential installation.

This equipment generates, uses, and can radiate radio frequency energy and, if not installed and used in accordance with the instructions, may cause harmful interference to radio communications.

However, there is no guarantee that interference will not occur in a particular installation. If this equipment does cause harmful interference to radio or television reception, which can be determined by turning the equipment off and on, the user is encouraged to try to correct the interference by one or more of the following measures:

- Reorient or relocate the receiving antenna.
- Increase the separation between the equipment and receiver.
- Connect the equipment into an outlet on a circuit different from that to which the receiver is connected.
- Consult the dealer or an experienced radio/TV technician for help.

If necessary, consult an Apple Authorized Service Provider or Apple. See the service and support information that came with your Apple product. Or, consult an experienced radio/television technician for additional suggestions.

Important: Changes or modifications to this product not authorized by Apple Computer, Inc., could void the EMC compliance and negate your authority to operate the product.

This product has demonstrated EMC compliance under conditions that included the use of compliant peripheral devices and shielded cables between system components. It is important that you use compliant peripheral devices and shielded cables (including Ethernet network cables) between system components to reduce the possibility of causing interference to radios, television sets, and other electronic devices.

Responsible party (contact for FCC matters only):
Apple Computer, Inc. Product Compliance,
1 Infinite Loop M/S 26-A,
Cupertino, CA 95014-2084,
408-974-2000.

Bluetooth Information

FCC Bluetooth Wireless Compliance

The antenna used with this transmitter must not be colocated or operated in conjunction with any other antenna or transmitter subject to the conditions of the FCC Grant.

Bluetooth Industry Canada Statement

This Class B device meets all requirements of the Canadian interference-causing equipment regulations.

Cet appareil numérique de la Class B respecte toutes les exigences du Règlement sur le matériel brouilleur du Canada.

Bluetooth Europe—EU Declaration of Conformity

This wireless device complies with the specifications EN 300 328, EN 301-489, and EN 60950 following the provisions of the R&TTE Directive.

Industry Canada Statement

This Class B device meets all requirements of the Canadian interference-causing equipment regulations.

Cet appareil numérique de la Class B respecte toutes les exigences du Règlement sur le matériel brouilleur du Canada.

VCCI Class B Statement

情報処理装置等電波障害自主規制について

この装置は、情報処理装置等電波障害自主規制協議会 (VCCI) の基準に基づくクラス B 情報技術装置です。この装置は家庭環境で使用されることを目的としていますが、この装置がラジオやテレビジョン受信機に近接して使用されると、受信障害を引き起こすことがあります。

取扱説明書に従って正しい取扱をしてください。

Europe - EU Declaration of Conformity

Complies with European Directives 72/23/EEC, 89/336/EEC, and 99/5/EC.

Laser Information

Warning: Making adjustments or performing procedures other than those specified in your equipment's manual may result in hazardous radiation exposure.

Do not attempt to disassemble the cabinet containing the laser. The laser beam used in this product is harmful to the eyes. The use of optical instruments, such as magnifying lenses, with this product increases the potential hazard to your eyes. For your safety, have this equipment serviced only by an Apple-authorized service provider.

Because of the optical disc drive in your computer, your computer is a Class 1 laser product. The Class 1 label, located in a user-accessible area, indicates that the drive meets minimum safety requirements. A service warning label is located in a service-accessible area. The labels on your product may differ slightly from the ones shown here.



Class 1 label



Service warning label

Exposure to Radio Frequency Energy

The radiated output power of the optional AirPort Extreme Card is far below the FCC radio frequency exposure limits. Nevertheless, it is advised to use the wireless equipment in such a manner that the potential for human contact during normal operation is minimized.

Mouse and Keyboard Information

The Apple optical mouse is a Class 1 LED product. This product complies with the requirements of European Directives 72/23/EEC and 89/336/EEC.

It also complies with the Canadian ICES-003 Class B Specification.

High-Risk Activities Warning

This computer system is not intended for use in the operation of nuclear facilities, aircraft navigation or communications systems, or air traffic control machines, or for any other uses where the failure of the computer system could lead to death, personal injury or severe environmental damage.

ENERGY STAR® Compliance

As an ENERGY STAR® partner, Apple has determined that standard configurations of this product meet the ENERGY STAR® guidelines for energy efficiency. The ENERGY STAR® program is a partnership with office product equipment manufacturers to promote energy-efficiency. Reducing energy consumption of office products saves money and reduces pollution by eliminating wasted energy.

Disposal and Recycling Information

The backlight lamp in this product contains mercury. Dispose according to local, state, and federal laws.

For information about Apple's recycling program, go to www.apple.com/environment/summary.html

Battery Disposal

Dispose of batteries according to your local environmental laws and guidelines.

Nederlands: Gebruikte batterijen kunnen worden ingeleverd bij de chemokar of in een speciale batterijcontainer voor klein chemisch afval (kca) worden gedeponeerd.



Deutschland: Das Gerät enthält Batterien. Diese gehören nicht in den Hausmüll. Sie können verbrauchte Batterien beim Handel oder bei den Kommunen unentgeltlich abgeben. Um Kurzschlüsse zu vermeiden, kleben Sie die Pole der Batterien vorsorglich mit einem Klebestreifen ab.

Taiwan:



廢電池請回收

Telephone and Apple 56K Modem Information

Notify Your Telephone Company

Some telephone companies require that you notify the local business office when you hook up a modem to their lines.

Information You Need in the United States

The internal modem complies with Part 68 of the FCC rules. On the back of this equipment is a label that contains, among other information, the FCC registration number and ringer equivalence number (REN). If requested, provide this information to your telephone company.

- *Ringer equivalence number (REN):* 0.1B (part numbers M9455 and M9457) and 0.6B (part number M9454). The REN is useful for determining the quantity of devices you may connect to your telephone lines and still have all those devices ring when your telephone number is called. In most, but not all areas, the sum of the RENs of all devices connected to one line should not exceed five (5.0). To be certain of the number of devices you may connect to your line, as determined by the REN, you should contact your local telephone company to determine the maximum REN for your calling area.
- *Telephone jack type:* USOC, RJ-11 An FCC-compliant telephone cord and modular plug are provided with this equipment. This equipment is designed to be connected to the telephone network or premises wiring using a compatible modular jack that complies with Part 68 rules. See the installation instructions for details.

Telephone Line Problems

If your telephone doesn't work, there may be a problem with your telephone line. Disconnect the modem to see if the problem goes away. If it doesn't,

report the problem either to your local telephone company or to your company's telecommunications department.

If disconnecting the modem eliminates the problem, the modem itself may need service. See the service and support information that came with your Apple product for instructions on how to contact Apple or an Apple Authorized Service Provider for assistance.

If you do not disconnect your modem when it is adversely affecting the telephone line, the telephone company has the right to disconnect your service temporarily until you correct the problem. The telephone company will notify you as soon as possible. Also, you will be informed of your right to file a complaint with the FCC.

The telephone company may make changes in its facilities, equipment, operations, or procedures that could affect the operation of your equipment. If this happens, the telephone company will provide advance notice in order for you to make the necessary modifications to maintain uninterrupted service.

The internal modem will not work with party lines, cannot be connected to a coin-operated telephone, and may not work with a private branch exchange (PBX).

Telephone Consumer Protection Act

The Telephone Consumer Protection Act of 1991 makes it unlawful for any person to use a computer or other electronic device to send any message via a telephone fax machine unless such message clearly contains, in a margin at the top or bottom of each transmitted page or on the first page of the transmission, the date and time it was sent and an identification of the business, other entity, or individual sending the message and the telephone number of the sending machine of such business, entity, or individual.

Information You Need in Canada

The Industry Canada (IC) label identifies certified equipment. This certification means that the equipment meets certain telecommunications network protective, operational, and safety requirements. The Department does not guarantee the equipment will operate to a user's satisfaction.

Before installing this equipment, make sure that you are permitted to connect to the facilities of the local telecommunications company. Be sure you use an acceptable method of connection to install the equipment. In some cases, you may extend the company's internal wiring for single-line individual service by means of a certified telephone extension

cord. Be aware, however, that compliance with these conditions may not prevent degradation of service in some situations.

Repairs to certified equipment should be made by an authorized Canadian maintenance facility designated by the supplier. Any equipment malfunctions or repairs or alterations that you make to this equipment may cause the telecommunications company to request that you disconnect the equipment.

In Canada, contact Apple at: 7495 Birchmount Road, Markham, Ontario, L3R 5G2, 800-263-3394

Warning: Users should ensure for their own protection that the electrical ground connections of the power utility, telephone lines, and internal metallic water pipe system, if present, are connected together. This precaution may be particularly important in rural areas.

Users should not attempt to make such connections themselves, but should contact the appropriate electric inspection authority or electrician.

- **Load number:** 0.1 (part numbers M9455 and M9457) and 0.2 (part number M9454). The load number (LN) assigned to each terminal device denotes the percentage of the total load to be connected to the telephone loop that is used by the device, to prevent overloading. The termination of a loop may consist of any combination of devices, subject only to the requirement that the sum of the load numbers of all devices does not exceed 100.
- **Telephone jack type:** CA-11

Informations Destinées aux Utilisateurs Canadiens

L'étiquette d'Industrie Canada identifie un matériel homologué. Cette étiquette certifie que le matériel est conforme à certaines normes de protection, d'exploitation et de sécurité des réseaux de télécommunications. Le Ministère n'assure toutefois pas que le matériel fonctionnera à la satisfaction de l'utilisateur.

Avant d'installer ce matériel, l'utilisateur doit s'assurer qu'il est permis de la raccorder au réseau de l'entreprise locale de télécommunication. Le matériel doit également être installé en suivant une méthode acceptée de raccordement. Dans certains cas, le câblage appartenant à l'entreprise utilisé pour un service individuel à ligne unique peut être prolongé au moyen d'un dispositif homologué de raccordement (cordon prolongateur téléphonique).

L'abonné ne doit pas oublier qu'il est possible que la conformité aux conditions énoncées ci-dessus n'empêche pas la dégradation du service dans

certaines situations. De fait, les entreprises de télécommunication ne permettent pas que l'on raccorde un matériel aux prises d'abonnés, sauf dans les cas précis prévus par les tarifs particuliers de ces entreprises.

Les réparations de matériel homologué doivent être effectuées par un centre d'entretien canadien autorisé désigné par la fournisseur. La compagnie de télécommunications peut demander à l'utilisateur de débrancher un appareil suite à des réparations ou à des modifications effectuées par l'utilisateur ou en raison d'un mauvais fonctionnement.

Veuillez contacter Apple pour des informations supplémentaires:

Apple Canada, Inc.
7495 Birchmount Road
Markham, Ontario
Canada L3R 5G2

Service à la clientèle d'Apple Canada : 800-263-3394

Avertissement : Pour sa propre protection, l'utilisateur doit s'assurer que tout les fils de mise à la terre du secteur, des lignes téléphoniques et les canalisations d'eau métalliques, s'il y en a, soient raccordés ensemble. Cette précaution est particulièrement importante dans les régions rurales.

L'utilisateur ne doit pas tenter de faire ces raccordements lui-même; il doit avoir recours à une service d'inspection des installations électriques ou à un électricien, selon le cas.

- *Numéro de charge :* 0.2 L'indice de charge (IC) assigné à chaque dispositif terminal indique, pour éviter toute surcharge, le pourcentage de la charge totale qui sera raccordée à un circuit téléphonique bouclé utilisé par ce dispositif. La terminaison du circuit bouclé peut être constituée de n'importe quelle combinaison de dispositifs pourvu que la somme des indices de charge de l'ensemble des dispositifs ne dépasse pas 100.
- *Type de prise téléphonique :* CA-11

Information You Need in the United Kingdom

This terminal equipment is intended for direct connection to the analogue Public Switched Telecommunications Network and is approved for use within the United Kingdom with the following features:

- Modem facility
- Autocalling facility
- Autoanswer facility
- DTMF signaling

Operation in the absence of proceed indication or upon detection of proceed indication

This product is in conformity with relevant regulatory standards following the provisions of European Council Directives 73/23/EEC (Low Voltage Directive) and 89/336/EEC amended by 92/31/EEC (EMC Directive).

Informationen für Deutschland

Diese Modem-Karte ist als Endeinrichtung vorgesehen und muss an ein TAE mit F-Kodierung angeschlossen werden. Diese Endeinrichtung ist in Konformität gemäss Niederspannungsrichtlinie 73 / 23 / EWG sowie EMC-Richtlinien 89 / 336 / EWG und 92 / 31 / EWG.

Informations pour la France

Ce matériel est conforme aux normes applicables de sécurité électrique d'après la directive 73 / 23 / CEE et aux normes applicables de compatibilité électromagnétique d'après la directive 89 / 336 / CEE, modifié par la directive 92 / 31 / CEE.

Information You Need in Australia

All telecommunications devices are required to be labelled as complying to the Australian telecommunications standards, ensuring the health and safety of the operator and the integrity of the Australian telecommunications network. To provide compliance with the Australian Communications Authority's technical standards, please ensure that the following AT commands are maintained:

- ATB0 (ITU/CCITT operation)
- AT&G0 (no guard tone)
- AT&P1 (33/66 pulse dial make/break ratio)
- ATS0 = 0 or ATS0 = 1 (no answer or answer greater than one ring)
- ATS6 = 95 (DTMF period between 70–255 ms)
- ATS11 = 95 (DTMF period between 70–255 ms)

For calls that are automatically generated, a total of three call attempts are allowed to a telephone number, with a minimum period between calls of 2 seconds. If the call does not connect after three attempts, 30 minutes must expire before automatic redialing may be initiated. Failure to set the modem (and any associated communications software) to the above settings may result in the modem being non-compliant with Australian telecommunications standards. Under these circumstances a user could be subject to significant penalties under the Telecommunications Act 1997.

This modem must be properly secured in order for you to use it. Telecommunications network voltages exist inside the computer and the telecommunications line connection must be removed before opening the computer.

Information You Need in New Zealand

This modem is fully approved to operate on the New Zealand telecommunications network under Telepermit number PTC 211/04/002 (part numbers M9455 and M9457) and PTC 211/01/062 (part number M9454). All telecommunications devices are required to hold a Telepermit and be labelled accordingly with the approved Telepermit number to comply with the New Zealand telecommunications standards, ensuring the health and safety of the operator and the integrity of the New Zealand telecommunications network. To ensure compliance, all calls that are automatically generated should not make more than 10 call attempts to the same number within any 30 minute period with a minimum period between calls of 30 seconds.

Failure to adhere to these standards may result in the modem being non-compliant with New Zealand Telecom standards. Under these circumstances a user could be subject to significant penalties.

Important: The grant of a Telepermit for any item of terminal equipment indicates that only Telecom has accepted that the item complies with minimum conditions for connection to its network. It indicates no endorsement of the product by Telecom, nor does it provide any sort of warranty. Above all, it provides no assurance that any item will work correctly in all respects with another item of Telepermitted equipment of a different make or model, nor does it imply that any product is compatible with all of Telecom's network services.

A

- adapter
 - DVI to ADC 7
 - DVI to Composite 7
 - DVI to VGA 7
- AGP 8X Pro graphics 19
- AGP card 64
- air deflector 47
- AirPort Extreme 82
 - antenna 17, 69
 - base station 37
 - card 19, 36
 - connection 94
 - connector 19
 - setting up 102
 - setting up a connection 93
- analog audio 31, 83
 - line-in 17, 83
 - line-out 17, 83

B

- battery 19
 - replacing 69
- Bluetooth 38, 42, 82
 - antenna 9, 17, 38
 - file exchange 40
 - module not user-installable 40
 - pairing 39
 - sending a file 40
 - setting up a device 39

C

- cable modem 97
 - setting up 93
- Cat 5 34
- CD-RW 80
- Combo drive 15, 19
- computer won't turn on 72
- connecting
 - mobile phone 39
 - PDA and Bluetooth 39
 - TV 25

- VCR 25
- video device 25

D

- DDR SDRAM 19, 49
- DHCP 94
 - configuration 99
- dial-up
 - connection 94
 - modem 94
- dimensions 84
- DIMMs 49
- discharge static 44
- display 10, 79
 - extended desktop 23
 - mirroring 23
 - multiple 23
- disposal and recycling 108
- DSL 94, 97
 - modem 93
- DVD 80
- DVD-ROM/CD-RW Combo drive 15, 19
- DVI port 17
- Dynamic Host Configuration Protocol (DHCP) 97

E

- eject disc 31
- ergonomic information 88
- Ethernet 17, 34, 77, 81

F

- FireWire 15, 17, 28, 81
- FireWire Target Disk Mode 29
- Force Quit 75
- front fan assembly 48

G

- general maintenance 87

H

- hard disk drive 19
- headphone jack 15, 31, 83

I

- iDVD 33
- installing
 - AGP card 64
 - AirPort Extreme Card 68
 - applications 76, 77
 - battery 69
 - Classic support 76, 77
 - Mac OS 9 76, 77
 - Mac OS X 76, 77
 - memory 49
 - PCI/PCI-X cards 66
 - Serial ATA drives 57
 - SuperDrive 60
- Internet
 - configuration 96
 - connecting to 12, 102
 - problems connecting 105
- Internet service provider 91
- ISP 91
- iTunes 32

K

- keyboard 22
- keyboard extender cable 9

L

- LAN 97
 - connection 93, 94
- latch 17, 55
- liquid cooling system 86

M

- maintenance 87
- manual Internet configuration 98
- manually using DHCP router option 93
- Material Safety Data Sheet 87
- modem 17, 36, 81
 - cable 91
 - DSL 91
 - not user-installable 36
- mouse 23
- multiple displays 23

N

- network connections 106
- Network Setup Assistant 91
- no image on screen 74

O

- operating environment 84
- optical digital audio 17, 30, 82
- optical drive 15, 19, 31, 56

P

- PCI slots 17, 19
- Point-to-Point Protocol 94, 97, 100
- power button 9, 15
- power cord 6
- power socket 17
- PPPoE 94
 - configuration 100
 - connections 94
- problems
 - connecting to Internet 105
- processor 79
- protective film 6

R

- reset the PRAM 72
- ribbon cable 60

S

- safety 85
- safety information 85
- screen freezes 75
- SDRAM 79
- Serial ATA drive 56
- serial number 77
- setting up 93
 - to connect manually 94
- shut down 13, 44
- shut off power 5
- sleep 12, 15, 40
- static IP address 98
- status light 15, 72
- SuperDrive 15, 19, 33

T

- telephone dial-up connection 93
- testing your Internet configuration 96

U

- unable to eject a disc 72
- USB 9, 15, 17, 26, 81, 84
- using DHCP option 93

