



# SENTINEL-PROX DK-1025

Dual frequencies RFID Reader

## Users Manual-041420



Your best option for Proximity Access Control

## **COPYRIGHT ACKNOWLEDGEMENTS**

The contents of this document are the property of Applied Wireless Identifications Group, Inc. (AWID) and are copyrighted. All rights reserved. Any reproduction, in whole or in part, is strictly prohibited. For additional copies of this document please contact:

AWID

18300 Sutter Blvd

Morgan Hill, CA 95037

<http://www.AWID.com>

The information contained herein has been carefully checked and is believed to be accurate, no responsibility is assumed for inaccuracies. AWID reserves the right to make changes without prior notice. This document is not covered by any warranty either expressed or implied. Any comments, corrections or additions to the contents of this document should be directed to AWID at the above address.

Copyright 2010 AWID, Printed in USA.

All other trademarks are the property of their respective owners.

## **FCC COMPLIANCE**

This equipment has been tested and found to be in compliance with the limits for FCC Part 15, Class B digital device. These limits are designed to provide reasonable protection against harmful interference when the equipment is operated in a commercial environment. This equipment generates uses and can radiate radio frequency energy and, if not installed and used in accordance with instruction manual, may cause harmful interference with radio communications. Operation of this equipment in a residential area is likely to cause harmful interference in which case the user will be required to correct the interference at his expense.

The users are prohibited from making any change or modification to this product, any modification to this product shall void the user's authority to operate under FCC Part 15 Subpart A Section 15.21 regulations.

"This device complies with Part 15 of the FCC Rules. Operation is subject to the following two conditions: (1) This device may not cause harmful interference and, (2) this device must accept any interference received, including interference that may cause undesired operation."

## **INDUSTRY CANADA COMPLIANCE**

Operation is subject to the following two conditions: (1) this device may not cause interference and (2) this device must accept any interference, including interference that may cause undesired operation of the device.



**Your best option for Proximity Access Control**

# Table of Contents

**REVISION HISTORY .....4**

**1 INTRODUCTION.....5**

1.1 General Descriptions .....5

1.2 Special Features .....5

1.3 Suggested Applications .....5

**2 SPECIFICATIONS .....5**

2.1 Measuring Read Distance .....5

**3 PREPARATION FOR INSTALLATION.....6**

3.1 Site Survey.....6

3.2 Preferred Reader Installation Practices.....6

3.3 Metal Mounting .....6

3.4 General Wiring Requirements .....7

3.5 Power Supply.....7

3.6 Grounding .....7

3.7 Wiring Diagrams .....7

**4 INSTALLATION PROCEDURE.....9**

4.1 Parts List.....9

4.2 Installation Steps .....10

4.3 Verification .....10

4.4 Mounting .....10

**5 WARRANTY .....10**

**6 RETURN MATERIAL AUTHORIZATION (RMA).....10**

**7 TROUBLESHOOTING .....11**

**8 PATENTS AND APPROVALS .....12**

**NOTE: READ AND USE THIS MANUAL.**

**NOTE: FAILURE TO FOLLOW THE INSTALLATION GUIDE MAY RESULT IN POOR PERFORMANCE OR EVEN CAUSE PERMANENT DAMAGE TO THE READER, THUS VOIDS THE PRODUCT WARRANTY.**



Your best option for Proximity Access Control

**REVISION HISTORY**

<b>Version No.</b>	<b>Revised By</b>	<b>Date</b>	<b>Sections Affected</b>	<b>Remarks</b>
1.0	Z. Wang	7/21/2010	All	Initial version
			-	



**Your best option for Proximity Access Control**

## 1 INTRODUCTION

AWID's Sentinel-Prox DK-1025 Reader is a dual frequencies versatile smart card/smart label and proximity card reader with 12keys KEYPAD for switch plate mounting. This Reader will provide simultaneous Wiegand and RS-232 output formats. Its primary applications are Access Control and Time & Attendance applications.

### 1.1 GENERAL DESCRIPTIONS

- Thin-line switch plate mounting
- LED visual indicator
- Indoor or outdoor installation
- Audible feedback

### 1.2 SPECIAL FEATURES

- Simultaneous Wiegand (Access Control) and RS-232 (Time & Attendance) outputs
- Slim housing designed for single gang box
- Permanently sealed electronics for indoor/outdoor application
- UV stabilized plastic housing

### 1.3 SUGGESTED APPLICATIONS

- Access Control
- Time & Attendance
- Asset Management
- RFID

## 2 SPECIFICATIONS

Input voltage	.....+5V to +12 V
Input current	..... 150 mA typical
Read range	
Smart Card (ISO-14443 A/B)	.....Up to 1.5 inches (3.8 cm)
Smart Labels (ISO-15693)	.....Up to 3 inches (7.6 cm)
Proximity Card (125KHz)	.....Up to 3 inches(7.6cm)
Transmit frequency	.....13.56 MHz (Pulse command) and 125KHz
Receiver frequency	.....13.56 MHz and 125KHz
Operating temperature range	.....-30° C to +65° C (-22° F to 149° F)
Output format available	.....Wiegand & RS-232 (Standard) (Others are available upon request)
Color	.....Dark Gray

### 2.1 MEASURING READ DISTANCE

To measure the read range between Reader and card, grasp the card by the corner or near the slot and move the card slowly toward the Reader, with the card surface parallel



**Your best option for Proximity Access Control**

to the Reader, until a BEEP occurs. The BEEP indicates that the Reader detects and read the card. In order to read again, the card must be fully withdrawn from the Reader's field of surveillance and then re-approached again. During normal operation, the card can be presented at any angle relative to the Reader, however this will result in slight variation of read range.

**Note: Do not "wave" the card in front of the Reader. "Waving" the card in front of the Reader will result in a diminished read range.**

### 3 PREPARATION FOR INSTALLATION

#### 3.1 SITE SURVEY

Always conduct a site survey before starting installation, avoid any possible sources of interference. If the Reader is not installed properly, the performance will be degraded or more seriously the Reader may be damaged. The following is a list of installation procedures that should be followed during installation:

Formatted: Bullets and Numbering

- Do not install the Reader in an area where sources of broadband noise may exist. Examples of broadband noise sources are motors, pumps, generators, DC-AC or DA-AC converters, non-interruptible power supplies, AC switching relays, light dimmers, CRT's, induction heater, ultrasonic welder etc.
- Do not bundle the reader wires together in one conduit with the AC power cables, lock power, and other signal wiring.
- Keep all the Reader wiring at least 12 inches (30 cm) away from all other wiring, which includes but not limited to, AC power, computer data wiring, telephone wiring and wiring to electrical locking devices.
- Do not install the reader within 12 inches (30 cm) of a computer CRT terminal.

#### 3.2 PREFERRED READER INSTALLATION PRACTICES

- Make sure that the supply voltage of the Reader is within specification. As a rule of thumb, higher supply voltage results in longer read range but at the expense of higher power consumption.
- Use cables with over-all shield (Screen).
- For best results, run the cable in an individual conduit with at least 12 inches distance from the AC power, computer data cables and cables for electrical locking devices.
- Use recommended cable. Do not use any un-shield "Twisted Pair" type cable.
- Use the largest wire gauge possible.
- Use dedicated and linearly regulated power supply, where applicable.
- Use Single Point Grounding (Earthing). No ground loops.

#### 3.3 METAL MOUNTING

The Reader is pre-compensated for mounting on metal utility boxes.



Your best option for Proximity Access Control

### 3.4 GENERAL WIRING REQUIREMENTS

All the Reader wiring must be continuously shielded. AWID recommends using #22 AWG up to #18 AWG, six or seven-conductor shielded cables. Longer distances and higher current consumption on the power supply line will require larger gauge wires. Refer to Table 1 and Figure 1, Figure 2 and Figure 3 on the following pages to determine your data lines' wiring requirement. Due to system data termination differences, contact your panel manufacturer for their specific requirements.

WIRE SIZE	#22 AWG (0.6mm Dia)	#18 AWG (1.2mm Dia)
WEIGAND	500ft (152 meters)	980 ft (300 meters)
RS-232	50 ft (15 meters)	50 ft (15 meters)

**Table 1 Data Line's Wiring Requirement**

**NOTE: WHEN USING AN EXTERNAL POWER SUPPLY, ALWAYS USE A LINEAR POWER SUPPLY, DO NOT USE A SWITCHING POWER SUPPLY.**

### 3.5 POWER SUPPLY

**AVOID** using a single power supply for Reader and the magnetic lock. Doing so will affect the Reader operation and can damage the Reader.

### 3.6 GROUNDING

Grounding is critical for proper operation of the Reader. When installing the Reader, it is crucial to assure that the earth ground is the best ground available. If you elect to use the AC main power ground, conduct a test by measuring its resistance relative to a known good ground, such as a cold water pipe or a structural steel that is in direct contact with the ground. This resistance should be less than 50 ohms. If you find that the AC main power does not provide adequate earth ground, try using a solid connection to a cold water pipe or for best results drive your own copper clad ground rod into the earth for the ground point.

For multiple Reader installations, it is critical that all Readers are connected to a single ground point. Using multiple ground points will create secondary current paths or ground loops that can affect the performance and cause damage to the Reader.

### 3.7 WIRING DIAGRAMS

The Reader is designed for Wiegand and RS-232 standard communication formats; use Figure 1 for Wiegand format installation and Figure 2 for RS-232 format installation, and use Figure 3 for combined Wiegand and RS-232 installation. If an external power supply is being used, leave the Panel's Ground and Power terminals open and connect the Reader's Ground (Black) and 5-12VDC (Red) terminals to the external power supply.



Your best option for Proximity Access Control

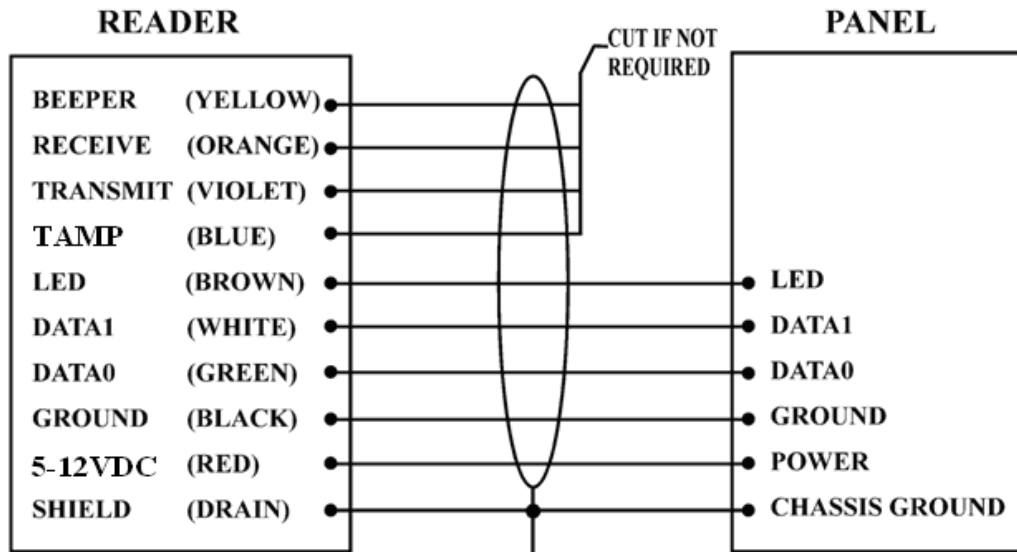


Figure 1 Wiring Diagram for Wiegand Output Format

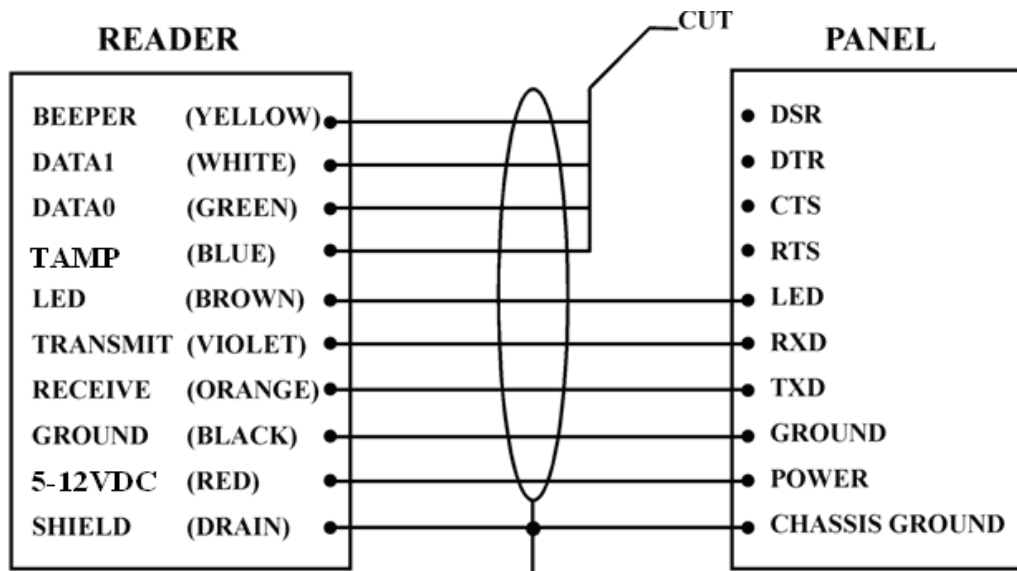


Figure 2 Wiring Diagram for RS232 Output Format



Your best option for Proximity Access Control



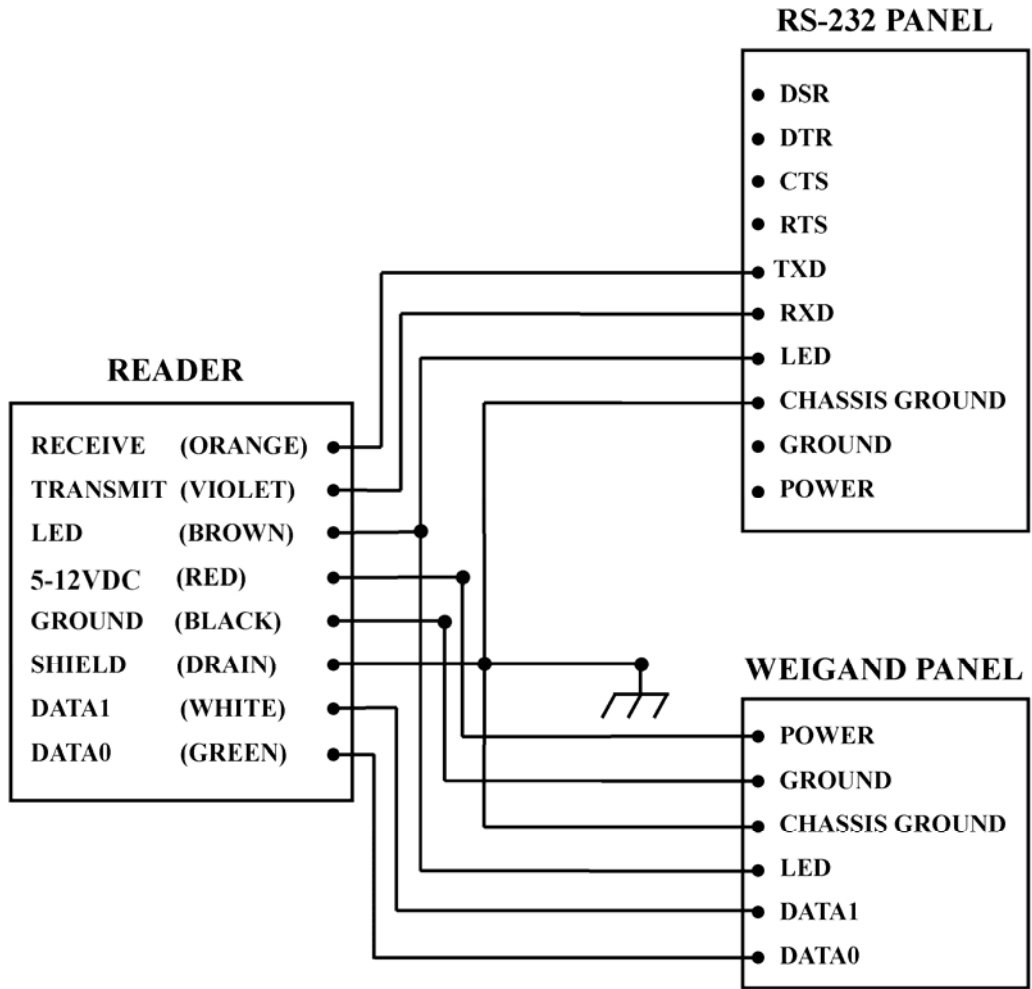


Figure 3 Wiring Diagram for Wiegand & RS232 Output Format

4 INSTALLATION PROCEDURE

Check to verify that every item listed under Section 5.1 of this manual is present before starting the installation.

4.1 PARTS LIST

- a. Installation sheet, P/N: xxx-xx-x QTY=1
- b. Sentinel-Prox DK-1025 Reader, P/N: xxx-xx-x QTY=1
- c. #6-32x1" Machine screw P/N: 0616MPP QTY=1



Your best option for Proximity Access Control

## 4.2 INSTALLATION STEPS

1. Prepare the single-gang electrical wiring box for Reader mounting. Observe ADA requirements.
2. If double-gang electrical box is used, drill through the four blind mounting holes on the four corners of the Reader.
3. Guide the open end of the Panel's control cable through the access hole on the electrical junction box. Secure the cable by tightening the cable clamp.
4. Remove the Snap-On cover of the Reader (item b of the parts list)
5. Connect the Reader and the Panel together according to Figure 1 for Wiegand format, Figure 2 for RS-232 format and Figure 3 for Wiegand/RS-232 format.
6. Setup for the RS-232 is: 9600 baud rate, 1 start bit, 1 stop bit, no parity.

## 4.3 VERIFICATION

1. Power up the Panel, the LED on the Reader should show RED.
2. Place a "good" card in front of the Reader. The reader will give out "ONE" audible BEEP and the LED will change from RED to AMBER momentarily and then flashing between RED & GREEN. The Reader will stay flashing until the card is removed from the reader. You can repeat this action by placing the card in front of the reader after the LED turned RED. If the Panel did not right it must be powered off/on to re initialize.

## 4.4 MOUNTING

1. Connect the remaining wires to the Panel.
2. Mount the Reader securely to the electrical junction box with #6-32x1 machine screw, (Item c on Parts List.)
3. Install the Snap-On cover.

## 5 Warranty

AWID's products are warranted to the original purchaser to be free of defects in material and workmanship for the life of the product. Any tampering or modification to the product will void this product warranty. AWID does not warrant any product as to its merchantability or suitability of use. AWID's sole and complete responsibility under this warranty is expressly limited to repair or replacement of the warranted product.

## 6 Return Material Authorization (RMA)

AWID monitors and tracks the life cycle performance of our product through our RMA system. All customers must obtain a RMA number from AWID Customer Service Department prior to returning the merchandise. After the customer provides AWID Customer Service Department with the serial number and a description of the returning item, a RMA number will be issued. ***This RMA number must be clearly marked on the outside of the returned package and noted on the paperwork attached to the returned merchandise.***



Your best option for Proximity Access Control

When obtaining a RMA number for RFID tags, please provide AWID Customer Service Department with the serial numbers, card identification numbers, facility codes and etc. If exact duplicates of returned cards or tags are requested, the customer must provide AWID with the numbers needed. AWID reserves the option to replace or repair returned merchandise.

Items returned to AWID without the proper authorization will be returned to the originators at their own expense.

## 7 Troubleshooting

This unit, if not installed in strict compliance with AWID's installation instructions, may not function to specifications. Use the checklist below to identify the problem:

- Is the card valid and working? - Try some different cards!
- Is the reader wired correctly? - RED-BLK :5-12V, reader should work
- Is the unit grounded properly? - DRAIN-EARTH: less than 50 Ohms
- Is the card presented correctly? - Card face parallel to reader face
- Is a power supply correct? - No switching power supply please!
- Is reader voltage/current correct? - 5-12V @ 150mA typical
- Is the environment free from electromagnetic interference? - Run cable away from other data carrying cables, reader away from electromagnetic interference sources!

When troubleshooting, try to identify the source of the problem to a unit level. "Is the problem originating from the panel?" Or "is the problem originating from the Reader?" Maybe the problem "is the power supply?"

All AWID's readers will need only a power supply and a valid card to work properly. If the reader is only connected with RED (+5-12V) and BLACK (Ground), and presented with a valid card, the reader will BEEP and momentarily turned AMBER. If the Card stays within the reader zone of surveillance, the LED on the reader will become flashing RED and GREEN. When the card is removed, the LED will return to RED, signifying it has returned to stand-by mode. When the reader works according to the tests above, the reader is working properly.

Do not cycle the power supply ON and OFF in rapid succession. Each power has its unique "decay" characteristics, turning the power supply ON and OFF in rapid succession can cause the Microcontroller to lock-up, due to improper initialization. Always turn the power supply OFF and count 10 seconds before turning ON again.

To check the validity of the output data in the absence of a panel, you will need to build a patch cable between the reader and a PC. Call AWID's Technical Support for details.

If problem persists, consult the system manufacturer. If problem is the reader, consult AWID's Technical Assistance Department.



**Your best option for Proximity Access Control**

For additional information, please visit AWID's Web site [www.awid.com](http://www.awid.com). For technical support questions, visit [www.awid.com/support](http://www.awid.com/support), or call **+1-408-825-1100** from 8:00 a.m. to 5:00 p.m. Pacific Time (GMT - 8 hrs).

## **8 Patents and Approvals**

AWID products are covered by United States patent #5594384.

AWID logo is a registered trademark of Applied Wireless Identifications Group, Inc.

Where required, AWID's products are approved by the appropriate regulatory agencies:

U. S. Federal Communications Commission:	Part 15
Underwriter Laboratory:	
Designed to Comply with:	CE, UL, VDE, BZT, DTI & PTT



**Your best option for Proximity Access Control**