

# HH-6600 RFID Handheld Reader



---

**User's Manual**

102008A



## About This Manual

This manual explains how to install, operate and maintain the HH-6600.

No part of this publication may be reproduced or used in any form, or by any electrical or mechanical means, without permission in writing from the manufacturer. This includes electronic or mechanical means, such as photocopying, recording, or information storage and retrieval systems. The material in this manual is subject to change without notice.

© Copyright 2009 Applied Wireless Identifications Group, Inc. All rights reserved.

AWID website address: <http://www.awid.com>

AWID is a registered trademark of Applied Wireless Identifications Group, Inc.

Bluetooth is a registered trademark of Bluetooth SIG.

## Regulatory Compliance Statements

---

### Federal Communication Commission Interference Statement

This equipment has been tested and found to comply with the limits for a Class B digital device, pursuant to Part 15 of the FCC Rules. These limits are designed to provide reasonable protection against harmful interference in a residential installation. This equipment generates, uses and can radiate radio frequency energy and, if not installed and used in accordance with the instructions, may cause harmful interference to radio communications. However, there is no guarantee that interference will not occur in a particular installation. If this equipment does cause harmful interference to radio or television reception, which can be determined by turning the equipment off and on, the user is encouraged to try to correct the interference by one of the following measures:

- Reorient or relocate the receiving antenna.
- Increase the separation between the equipment and receiver.
- Connect the equipment into an outlet on a circuit different from that to which the receiver is connected.
- Consult the dealer or an experienced radio/TV technician for help.

### FCC Caution:

Any changes or modifications not expressly approved by the party responsible for compliance could void the user's authority to operate this equipment.

This device complies with Part 15 of the FCC Rules. Operation is subject to the following two conditions: (1) This device may not cause harmful interference, and (2) this device must accept any interference received, including interference that may cause undesired operation.

This device and its antenna(s) must not be co-located or operating in conjunction with any other antenna or transmitter.

## RoHS Statement

This device conforms to RoHS (Reduction Of Hazardous Substances) European Union regulations that set maximum concentration limits on hazardous materials used in electrical and electronic equipment.

## Laser Information

---

The AWID HH-6600 series is certified in the U.S. to conform to the requirements of DHHS/CDRH 21CFR Subchapter J and to the requirements of IEC 825-1. Class II and Class 2 products are not considered to be hazardous. The HH-6600 series contains internally a Visible Laser Diode (VLD) whose emissions do not exceed the maximum limits as set forth in the above regulations. The scanner is designed so that there is no human access to harmful laser light during normal operation, user maintenance or during prescribed service operations.

The laser safety warning label required by the DHHS/IEC for the HH-6600 series's optional laser scanner module is located on the memory compartment cover, on the back of the unit.

**CAUTION!** Use of controls or adjustments or performance of procedures other than those specified herein may result in hazardous laser light. Use of optical instruments with the scanner will increase eye hazard. Optical instruments include binoculars, microscopes, and magnifying glasses. This does not include eye glasses worn by the user.

## Notices

---

This unit is equipped with battery packs and backup battery. It is possible that the AWID HH-6600 may not power-on due to battery discharge as a result of storage.

In the above situation, plug the HH-6600 to the USB charging cable which is with DC in port or put the unit into the AWID HH-6600 Cradle (with 12V/2A AC-DC adapter), and recharge the unit for 16 hours in order to fully charge its backup battery.

The backup battery will charge from external power or the main battery (if the main battery still has enough power to turn on). In the event the main battery is fully charged, refrain from using the HH-6600 for 16 hours in order for the main battery to fully charge the backup battery.

Backing-up data by backup battery only without the main battery installed in battery compartment may take as long as 6 hours. Therefore, in order to prevent data protection failure due to backup battery failure, do not leave the HH-6600 without the rechargeable battery pack installed, or without connection to AC power for an extended period of time.

### NOTE:

- The first time you use the HH-6600, you must turn on the backup battery switch. **See turn on the backup battery & grip battery switch on page 6 for more information.**

## Battery Charge Notice

It is important to consider the environment temperature whenever you are charging the Lithium-Ion battery pack. The process is most efficient at normal room temperature or slightly cooler. It is essential that you charge batteries within the stated range of 0°C to 40°C. Charging batteries outside of the specified range could damage the batteries and shorten their charging life cycle.

## Storage and Safety Notice

Although charged Lithium-Ion batteries may be left unused for several months, their capacity may be depleted due to build up of internal resistance. If this happens they will require recharging prior to use. Lithium-Ion batteries may be stored at temperatures between -20°C to 60°C, however they may be depleted more rapidly at the high end of this range. It is recommended to store batteries within normal room temperature ranges.

## IMPORTANT NOTE

FCC Radiation Exposure Statement: This equipment complies with FCC radiation exposure limits set forth for an uncontrolled environment. This equipment should be installed and operated with minimum distance 1.5cm between the radiator & your body.

### FCC Radiation Exposure Statement

This equipment complies with FCC radiation exposure limits set forth for an uncontrolled environment. End users must follow the specific operating instructions for satisfying RF exposure compliance. To maintain compliance with FCC RF exposure compliance requirements, please follow operation instruction as documented in this manual.

For hdesktop operation only. This PRFID Handheld Terminal meets FCC RF exposure guidelines when used in hand-held or desktop operation.

# Table of Contents

|   |     |
|---|-----|
| Preface .....   | i   |
| About This Manual .....   | i   |
| Regulatory Compliance Statements.....                                   | i   |
| Federal Communication Commission Interference Statement .....           | i   |
| RoHS Statement.....   | ii  |
| Laser Information .....   | ii  |
| Notices .....   | ii  |
| Battery Charge Notice .....   | iii |
| Storage and Safety Notice.....  | iii |
| <br>  |     |
| Chapter 1 .....   | 1   |
| Getting Started.....  | 1   |
| Introducing the HH-6600 .....   | 1   |
| Features.....   | 1   |
| Package Contents .....  | 2   |
| A Tour of the HH-6600.....  | 3   |
| Back View .....   | 4   |
| Bottom View.....  | 5   |
| Setting up the HH-6600.....   | 5   |
| Installing the Battery .....  | 5   |
| Charging the Battery.....   | 8   |
| <i>Charging the Battery using the Synchronization Power Cable</i> ..... | 8   |
| <i>Charging the Battery with the Docking Station</i> .....              | 8   |
| <i>Checking the Battery Status</i> .....                                | 9   |
| Connecting the HH-6600 to a PC .....                                    | 9   |
| Turning the HH-6600 on for the First Time .....                         | 10  |
| <i>Powering On</i> .....  | 10  |
| <i>Calibrating the HH-6600 Screen</i> .....                             | 11  |
| <i>Setting the Time and Date</i> .....                                  | 12  |
| <i>Adjusting the Screen Brightness</i> .....                            | 12  |
| <br>  |     |
| Chapter 2 .....   | 13  |
| Using the Hardware .....  | 13  |
| Using Function keys .....   | 13  |
| Toggle to Alpha Mode and CAPS .....                                     | 14  |
| Adjusting Settings.....   | 15  |

|  |           |
|--|-----------|
| Checking the Main and Backup Battery Status .....    | 16        |
| Using the Stylus .....                               | 17        |
| Using the Laser Scanner .....                        | 17        |
| Scanner Settings .....                               | 18        |
| Scan2Key .....                                       | 19        |
| Using the RFID .....                                 | 19        |
| Launching UHF RFID Demo Program .....                | 19        |
| <b>Chapter 3 .....</b>                               | <b>22</b> |
| Getting Connected .....                              | 22        |
| Establishing Device-PC Connection.....               | 22        |
| Installing Microsoft ActiveSync .....                | 22        |
| Connecting the Device to Your Computer.....          | 22        |
| Using ActiveSync to Exchange Files .....             | 23        |
| Using the WLAN.....                                  | 24        |
| Setting up the Wireless Local Area Network Card..... | 24        |
| <i>Obtaining an IP Address via DHCP Server .....</i> | <i>24</i> |
| <i>Specifying an IP Address .....</i>                | <i>25</i> |
| <i>WiFi Connection.....</i>                          | <i>26</i> |
| <i>Using the Summit Utilities .....</i>              | <i>28</i> |
| Admin Login.....                                     | 28        |
| Scan Available AP.....                               | 28        |
| Encryption:.....                                     | 29        |
| Commit and Activate.....                             | 29        |
| <b>Appendix .....</b>                                | <b>30</b> |
| System Specifications .....                          | 30        |





## Getting Started

### Introducing the HH-6600

---

**Thank you for purchasing the HH-6600 handheld terminal. Your HH-6600 was designed for RFID mobile application.**

#### **HH-6600 UHF**


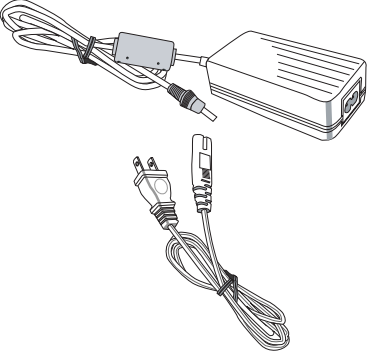
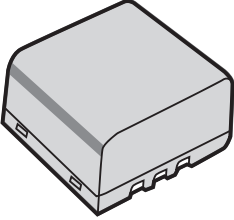
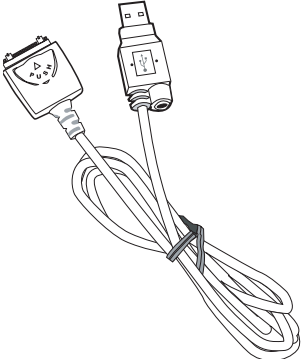

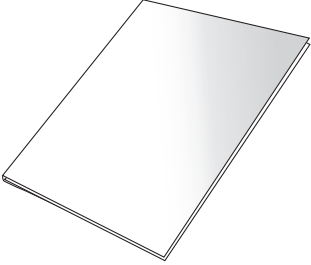
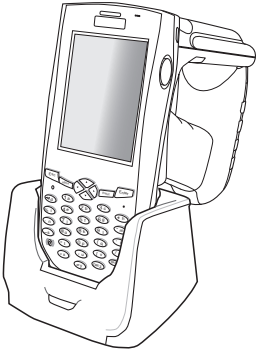
AWID's HH-6600 UHF handheld terminal is a rugged dual technology multi-tag UHF RFID and barcode reader. It can read both EPC Gen 1 and Gen 2 RFID tags and comes with embedded RFID middleware and Windows CE 5.0 for easy integration. The HH-6600 has a battery life of up to 12 hours – long enough for operation. Connectivity options include WLAN 802.11b/g and Bluetooth. It has an IP54 rated and 4 feet (1.2 meter) drop tested rugged PDA construction.

#### **Features**

- Dual technology barcode scanner & RFID reader
- Built in Barcode Scanner
- IP54 rated and 4 feet (1.2m) drop tested
- Lightest in its class
- Windows WinCE 5.0 Professional Plus operating system
- WLAN 802.11b/g and Bluetooth connectivity built-in

# Package Contents

After opening the box, ensure the following accessories for the HH-6600 are present:

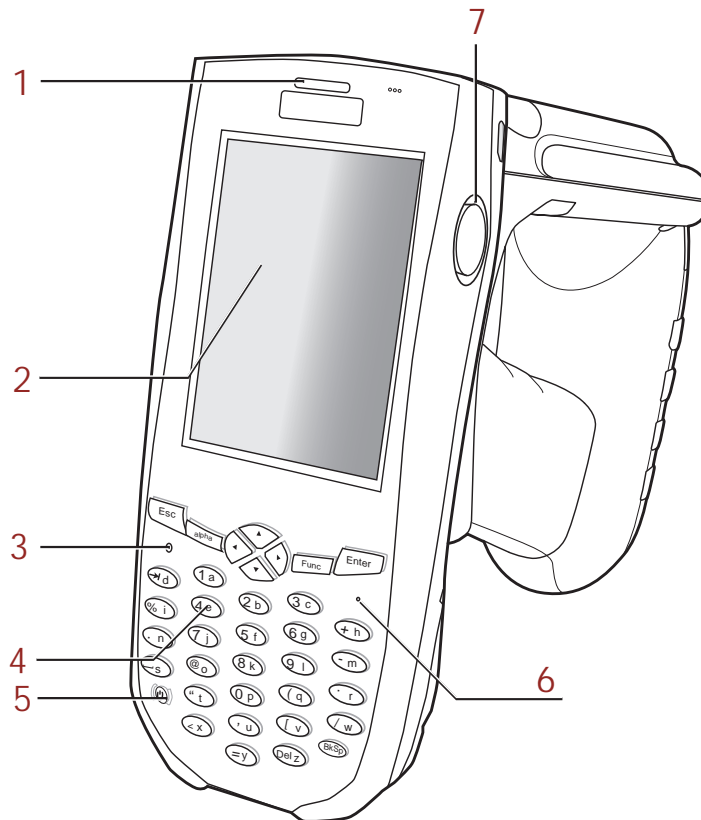
|   |  |  |
|---|--|--|
|    |   |   |
| HH-6600 Terminal  | Power Adapter and Cable  | Battery Pack   |
|   |  |  |
| Synchronization and Power Cable   | CD-ROM   | User Manual  |
|  |  |  |
| Cradle (optional)   |  |  |

If anything is missing or appears damaged in any way, please contact your AWID service team.

## A Tour of the HH-6600

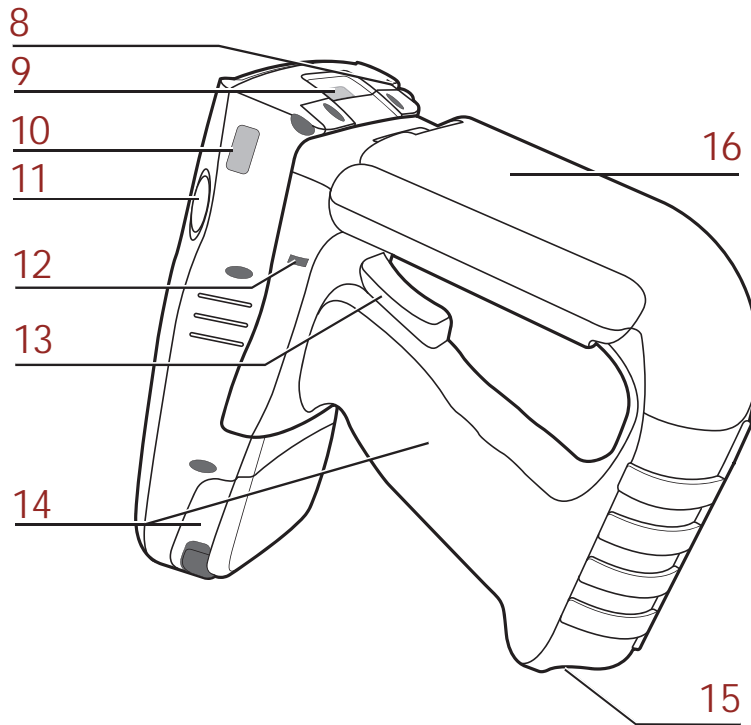
The following sections describe the main components and features of the HH-6600.

### Front Right View



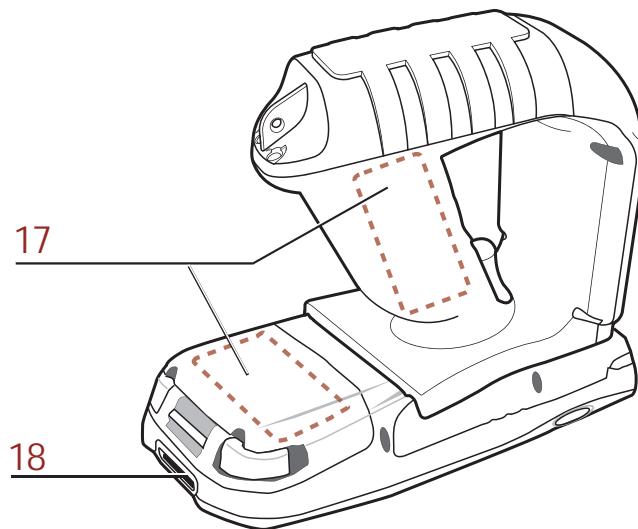
| No. | Component                    | Description  |
|-----|------------------------------|--|
| 1.  | Status Indicator             | Indicates the battery charging and barcode scanning status.<br><b>Green</b> - Battery is fully charged or barcode scanning process is completed without error.<br><b>Red</b> - Battery is charging, barcode scanner is activated and processing. |
| 2.  | LCD Touch Screen             | Displays the applications and data stored on your device. It is touch-sensitive and responds to the stylus or finger.  |
| 3.  | Alpha Mode Indicator         | Indicates the Alpha Mode status.   |
| 4.  | Keypad                       | Keypad interface for controlling the HH-6600. See Using the Hardware on page 13 for more information.  |
| 5.  | Power Button                 | If the device is off, press this button to turn it on.<br>Alternatively, when the unit is on, this key must be pressed and held down for about two seconds in order to turn the device off.  |
| 6.  | Microphone                   | Used to receive sound.   |
| 7.  | Right scanner trigger button | Press to activate the barcode laser scanner.   |

## Back View



| No. | Component                   | Description  |
|-----|-----------------------------|--|
| 8.  | Stylus                      | Enables you to interact with the operating system. To use the stylus, remove it from its holder and hold it the same way you hold a pen or pencil. |
| 9.  | Barcode Scanner Window      | Used to scan barcodes.   |
| 10. | Infrared (IR) Port          | Uses infrared technology to transmit and receive data from other IR-enabled devices.   |
| 11. | Left Scanner Trigger Button | Press to activate the barcode laser scanner.   |
| 12. | Reset Button                | Uses paper clip press into the button to reset your device.  |
| 13. | Bar Code Scanner Trigger    | Press to activate the barcode scanner.   |
| 14. | Battery Compartment         | Houses the removable and rechargeable 7.4V 4050mAh lithium-ion battery pack  |
| 15. | Strap Lug                   | Attach the strap with the terminal.  |
| 16. | RFID Antenna                | Used to receive data from RFID tag.  |

## Bottom View



| No. | Component           | Description  |
|-----|---------------------|--|
| 17. | Battery Pack        | Houses the rechargeable lithium-ion battery pack   |
| 18. | Universal connector | Connects your device to a synchronization power cable, which in turn connects to the computer's USB port and through the AC adapter to an electrical outlet.<br><br>This allows you to recharge your device and perform an ActiveSync operation. |

## Setting up the HH-6600

This section explains how to install and charge the battery, how to check battery status, how to connect the HH-6600 to a PC, how to turn on the HH-6600 for the first time, how to install an optional Wireless Local Area Network PCMCIA card, and how to calibrate the screen.

### Installing the Battery Pack

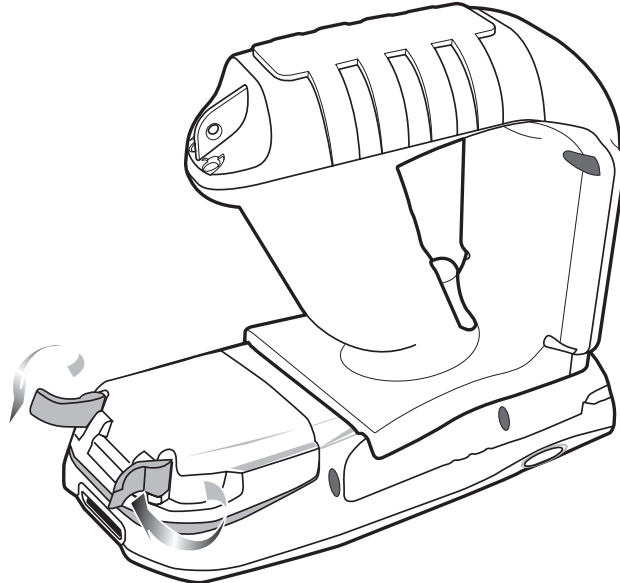
**WARNING!** There is a risk of fire and burns if the battery pack is handled improperly. DO NOT disassemble, crush, puncture, short external contacts, or dispose the battery pack in fire or water. DO NOT attempt to open or service the battery pack. Dispose of used batteries according to local recycling guidelines in your area.

A backup battery cell is embedded into your device to prevent data loss in instances when the removable battery pack is removed or completely discharged. This backup battery cell will only support the system for a maximum of 72 hours.

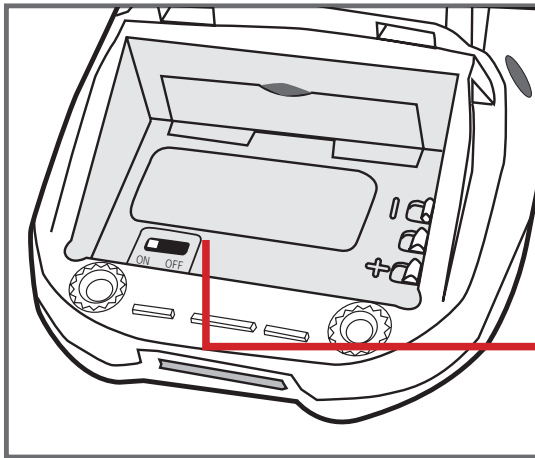
#### NOTE:

- To enable the internal battery cell to provide backup power supply, charge your device with the main battery pack for at least 16 hours.
- The first time you use the HH-6600, you must turn on the backup battery switch. **See turn on the backup battery & grip battery switch on page 6 for more information.**
- The first time you use the HH-6600, you must activate the LCD heater switch. When activated, LCD heater will turn on automatically when the temperature is lower than 14° F / -10°C.

1. Open the battery compartment using the slide tabs in the direction shown in the illustration.

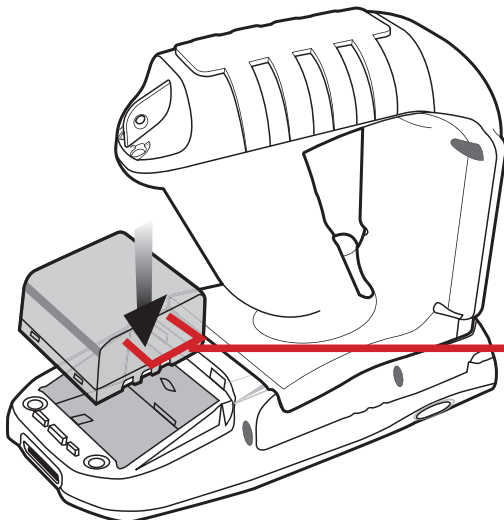


2. Locate the grip battery switch and turn left to power on.



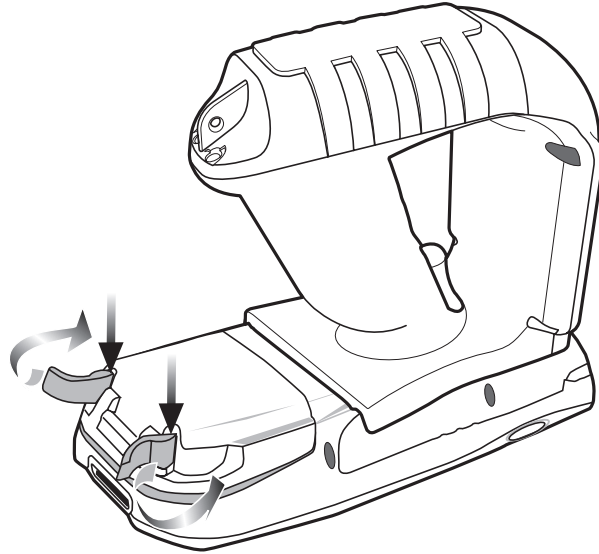
Backup battery & grip  
battery switch

3. Position the battery pack, making sure the battery contacts are aligned with the contacts in the compartment, as shown in the following illustration.



Battery contacts

4. Place the battery pack into the battery bay and press the battery securely into the compartment.
5. Replace the battery compartment cover, push down the tabs and slide them back into place as shown in the illustration.



## Charging the Battery

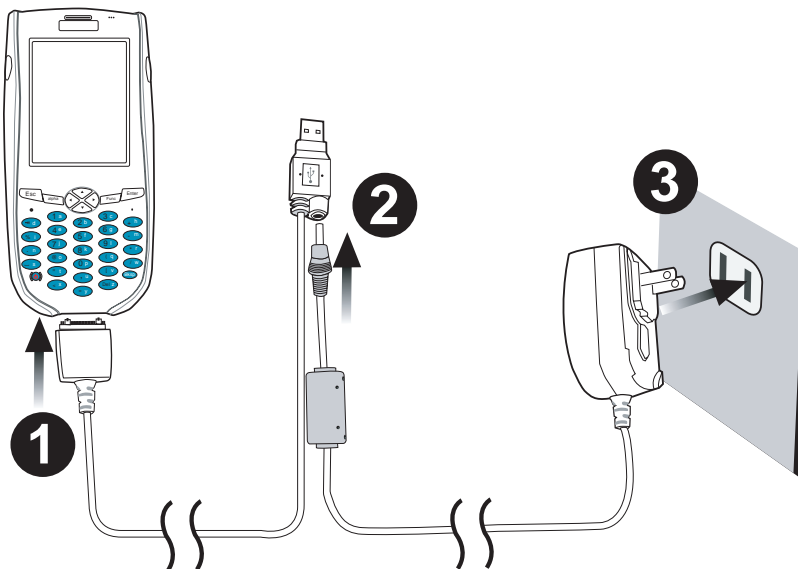
Before using the HH-6600 for the first time, you need to charge it for about 16 hours. After that, you can charge the HH-6600 every day to recharge the battery to full capacity. Charge the HH-6600 using the synchronization power cable or the docking station.

**CAUTION!** Operating the HH-6600 for the first time without the AC adapter, and without fully charging the backup battery may result in loss of data stored in RAM memory. When the main battery is removed, the backup battery retains RAM data in memory for 72 hours; charge the battery as soon as possible to avoid the data loss in RAM memory.

**NOTE:** Turn the backup battery switch on before charging the battery. Data you enter may not be properly stored until the built-in backup battery has been adequately charged.

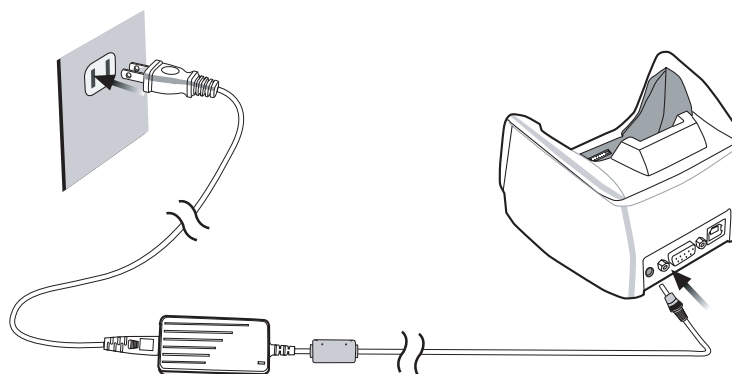
### ***Charging the Battery using the Synchronization Power Cable***

1. Connect the synchronization power cable connector to the HH-6600 (1).
2. Plug the AC adapter cable into the power jack on the USB connector (2).
3. Connect the AC adapter into an electrical outlet (3).



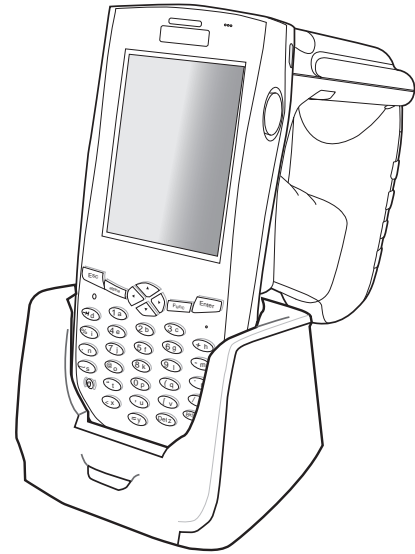
### ***Charging the Battery with the Docking Station***

1. Plug the AC adapter cable into the power jack on the docking station, then connect the AC adapter into an electrical outlet.





2. Slide the device into the docking station until it clicks into place.





3. The connection is secure when the bottom edge of the device is aligned with the docking station, and the LED indicator on the device lights up red.

### LED Status

|                 | LED         | Meaning           |
|-----------------|-------------|-------------------|
| HH-6600         | Solid Red   | Charging          |
|                 | Solid Green | Charging complete |
| Docking Station | Solid Green | Power is on       |

### Checking the Battery Status

If the main battery level becomes low in the course of normal use, a status icon  appears on the device screen system tray indicating low or very low battery status. In both cases, perform an ActiveSync operation to back up your data, then recharge your device as soon as possible. If the battery level reaches low status, the device will enter suspend mode; if the battery level reaches very low status, the device will enter deep sleep mode. In this case, you have about 72 hours to recharge your device after which you risk losing all data on your device's internal memory.

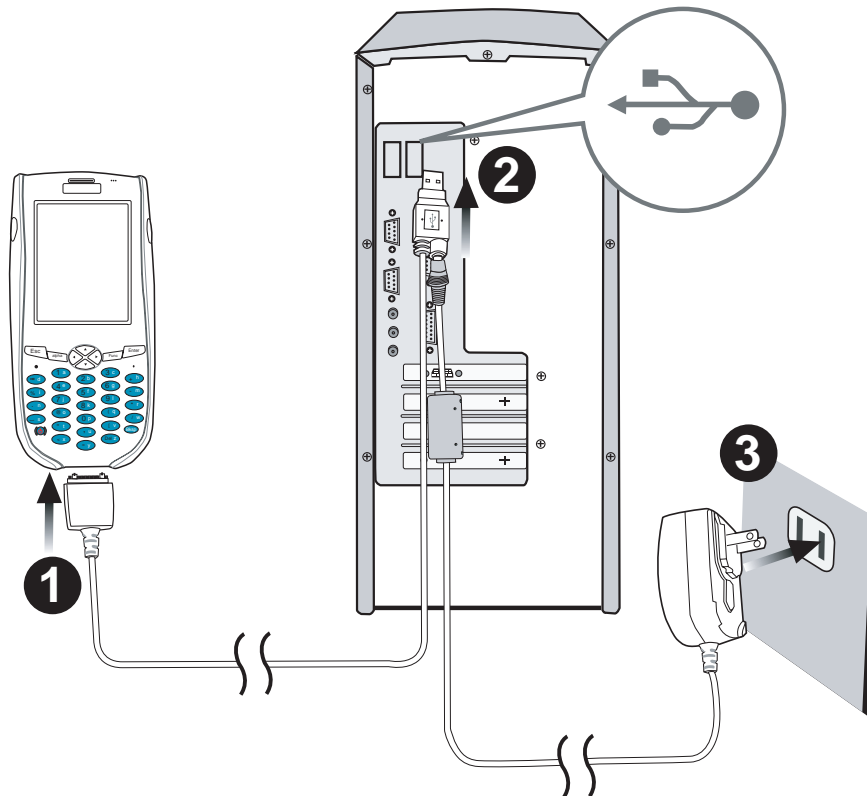
When the backup battery charge is low, an icon  appears in the system tray indicating that you should replace the backup battery as soon as possible.



### Connecting the HH-6600 to a PC

Use the synchronization power cable to connect the HH-6600 to a PC to use with ActiveSync.

1. Connect the USB connector jack to the HH-6600 (1).
2. Plug the USB connector into a serial port on the PC and connect the AC adapter into the USB connector (2).
3. Connect the AC adapter into an electrical outlet (3).

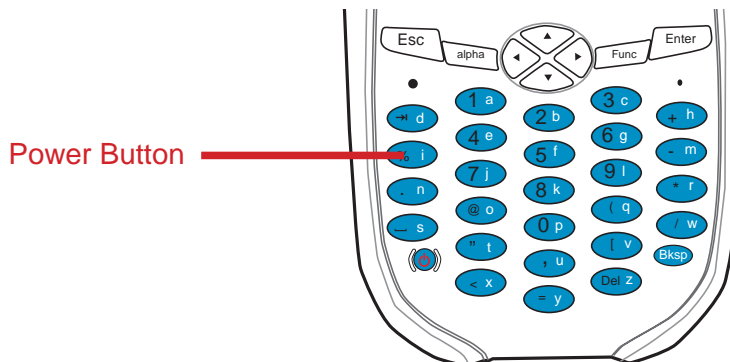


## Turning the HH-6600 on for the First Time

After you have initially charged your device for about 16 hours, the device is ready to be used. You can now start up your device where you'll adjust the screen brightness, calibrate the display, and set up the system time zone, date and time.

### Powering On

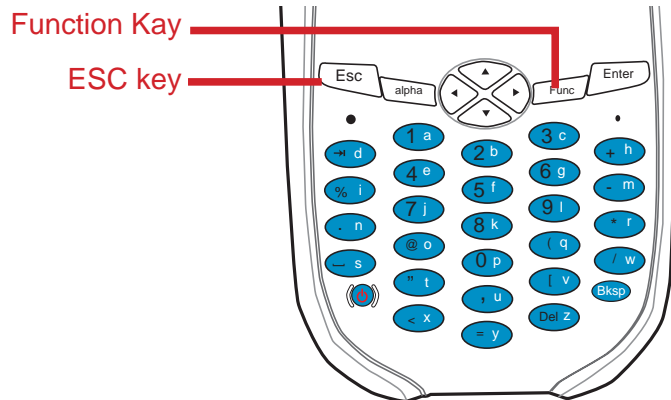
1. Turn on your device by pressing the power button on the front panel.
2. The AWID HH-6600 welcome screen appears for a moment followed by the calibration screen.



### Calibrating the HH-6600 Screen

The calibrate screen automatically appears when the unit is powered-on for the first time or after the system is reset.

This screen will automatically appear when the unit is powered-on for the first time or after the system is reset. This screen can also be accessed at any time by pressing the hot key [FUNC] and the [ESC] key.



The HH-6600 prompts you to calibrate the unit by tapping a sequence of screen locations. Tap gently but firmly.

Carefully press and briefly hold stylus on the center of the target. Repeat as the target moves around the screen. Press the Esc key to cancel.

Carefully press and briefly hold stylus on the center of the target. Repeat as the target moves around the screen. Press the Esc key to cancel.

When you have completed the series of taps, press the [ENT] key to confirm calibration or press the [ESC] key to cancel it. After confirming calibration, the Date/Time Properties screen appears prompting you to set the date and time.

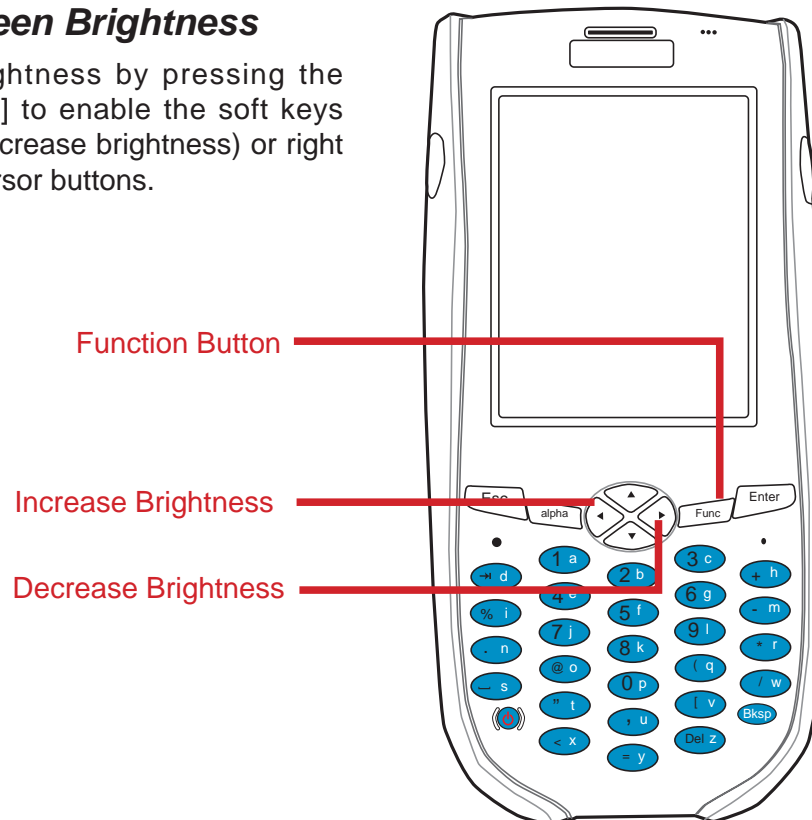
## Setting the Time and Date

In the Date/Time Properties window, use the stylus to select the current date and time, time zone, and daylight saving time option.



## Adjusting the Screen Brightness

Adjust the screen brightness by pressing the Function button [FUNC] to enable the soft keys and pressing the left (decrease brightness) or right (increase brightness) cursor buttons.



## Using the Hardware

The following table describes the main keypad keys.

| Key | Main Function   |
|-----|---|
|     | Press this button to turn the HH-6600 on. Press and hold this button for two seconds to turn the HH-6600 off.   |
|     | Pressing this button corresponds to tapping the cancel or X button on the screen.   |
|     | Press the backspace key to erase characters.  |
|     | Press the function key to perform alternative key functions. This key is also used to toggle between upper and lower case alphabetic characters. Refer to Using Hotkeys on page 13. |
|     | Use the tab key to toggle between fields or to tab forward in word processing applications.   |
|     | Press the enter key to confirm an action or entry by the user.  |
|     | Use the cursor keys to navigate in applications. Press and hold the Function key and then press the right and left arrows to raise and lower the screen brightness.                 |
|     | Press the alpha key to toggle between numeric and alphabetic entry modes.   |
|     | Press these keys to enter numbers or characters depending on whether the Alpha key has been pressed. Press the 0 key to enter a space.  |
|     | Press this key to add punctuation.  |

### Using Function keys

The HH-6600 provides many combination hot keys to activate specified screen setting functions or programs. These hotkeys are useful for calibrating the touch screen, toggling the backlight, and adjusting screen contrast when the menu-driven operation is disabled. Below is the list of hotkeys. To use them, Press and hold the [FUNC] key in combination with the corresponding second key.

| Key       | Function                    |
|-----------|-----------------------------|
| [FUNC]+ ▲ | Toggle Display Backlight    |
| [FUNC]+ ▼ | Toggle Keypad LED Backlight |
| [FUNC]+ ► | Increase screen brightness  |
| [FUNC]+ ◀ | Decrease screen brightness  |

## Toggle to Alpha Mode and CAPS

When the HH-6600 boots, the default condition is Numeric Mode on. When you toggle to Alpha Mode, the default condition is CAPS mode off. Please use the alpha Key and Function key to toggle to CAPS.

| Key       | Alpha OFF |           | Alpha ON  |           |
|-----------|-----------|-----------|-----------|-----------|
|           | FUNC UP   | FUNC DOWN | FUNC UP   | FUNC DOWN |
| ESC       | ESC       | ESC       | ESC       | ESC       |
| Backspace | Backspace | Backspace | Backspace | Backspace |
| Enter     | Enter     | Enter     | Enter     | Enter     |
| 1/F1/a    | 1         | F1        | a         | A         |
| 2/F2/b    | 2         | F2        | b         | B         |
| 3/F3/c    | 3         | F3        | c         | C         |
| TAB/d     | TAB       | `         | d         | D         |
| 4/F4/e    | 4         | F4        | e         | E         |
| 5/F5/f    | 5         | F5        | f         | F         |
| 6/F6/g    | 6         | F6        | g         | G         |
| +/^/h     | +         | ^         | h         | H         |
| %/BL/i    | %         | Backlight | i         | I         |
| 7/F7/j    | 7         | F7        | j         | J         |
| 8/F8/k    | 8         | F8        | k         | K         |
| 9/F9/l    | 9         | F9        | l         | L         |
| -/_/m     | -         | _         | m         | M         |
| ./;/n     | .         | ;         | n         | N         |
| @/!/o     | @         | !         | o         | O         |
| 0/\$/p    | 0         | \$        | p         | P         |
| (/)/q     | (         | )         | q         | Q         |
| */#/r     | *         | #         | r         | R         |
| SPACE/s   | SPACE     | SPACE     | s         | S         |
| "/'/t     | "         | '         | t         | T         |
| ,/?/u     | ,         | ?         | u         | U         |
| [/]/v     | [         | ]         | v         | V         |
| /\w       | /         | \         | w         | W         |
| </>/x     | <         | >         | x         | X         |
| =/&/y     | =         | &         | y         | Y         |
| DEL/z     | DEL       | ~         | z         | Z         |

## Adjusting Settings

This section describes how to adjust the settings of your device to accommodate your work habits.

To access Settings, tap  
**Start** → **Settings** → **Control Panel**



The Control Panel appears.

From here you can adjust such user configurable items as the backlight, auto power off timer, system volume, and processor speed. You can also assign functions to buttons, configure menus, enter owner information, and set up connections.

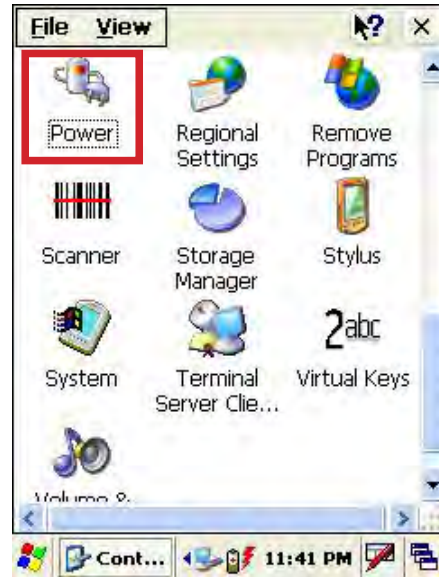


# Checking the Main and Backup Battery Status

This section describes how to view the power level for both the main and backup battery. To minimize power consumption, you can define settings for the auto-off function and the processor's operation speed.

To check the main and backup battery status:

1. Tap **Start** → **Settings** → **Control Panel** → **Power**:

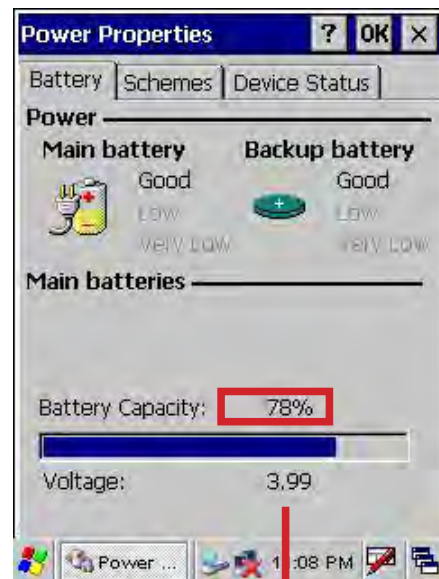


The Power Properties screen appears.

2. The battery menu item displays the status of the main and backup batteries.

On the screen shown here, the main battery is good, but the backup battery charge is very low. You should charge the backup battery as soon as possible in this case.

**NOTE:** It is necessary to charge the battery when the battery charge reaches below 10%. If the battery does not accept a charge, contact AWID Technical Support.



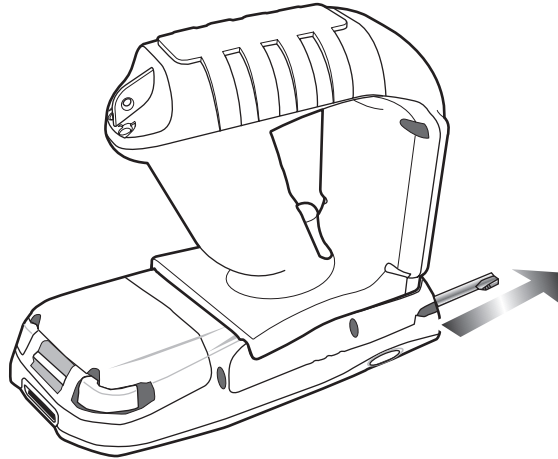
Main battery voltage



## Using the Stylus

**CAUTION!** Never use anything other than the HH-6600 stylus on the screen. Otherwise this could cause a permanent damage.

1. Remove the stylus from its holder.
2. Hold the stylus as you would a pencil.
3. To make a choice from a menu, lightly tap the tip of the stylus on that choice.
4. To write data into a field on a form, use the stylus to print the letters or numbers. Use very light pressure.



## Using the Laser Scanner

The HH-6600 has an integrated laser scanner which reads all major bar code labels with excellent performance.

**NOTE:** Reading software must be enabled in order to operate the scanner. This can be a userloaded application or a pre-loaded utility such as Scanner Setting.

Activate the laser scanner by pressing either one of the trigger keys located on the left and right side of the unit.

The HH-6600 has a built-in Scanner Setting utility that allows you to test the device's barcode scan function.

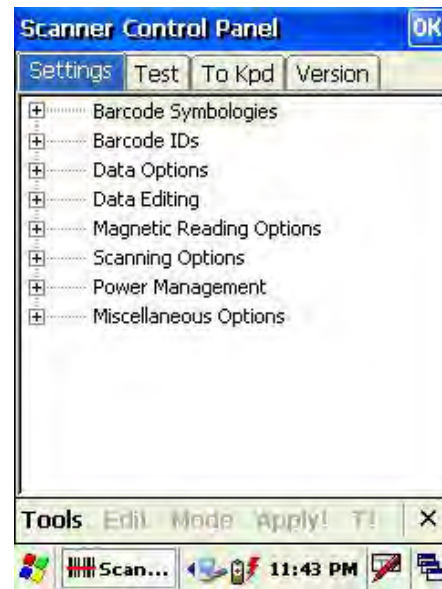
1. To launch Scanner Settings, press [FUNC] + [7].

**NOTE:** Alternatively, tap **Start** → **Settings** → **System** → **Scanner Settings**.

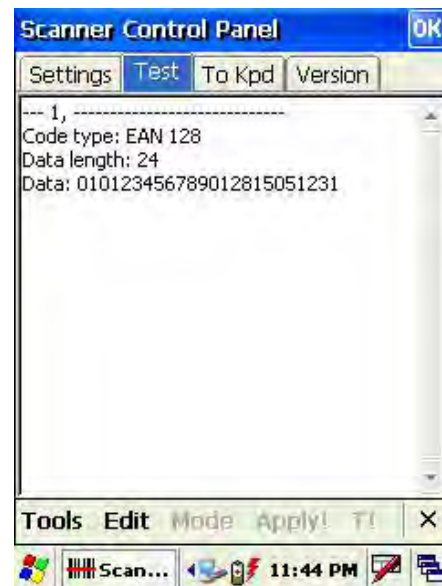


2. The Scanner Control Panel opens.

From here you can configure barcode scanner parameters such as enabling or disabling barcode symbologies, setting data transmission options, configuring magnetic and proximity reading options, and setting power management options.



3. To test the barcode scanner, tap the Test tab and press one of the scanner buttons on a barcode. The screen will display the results of the scan.



## Scanner Settings

When it is necessary for the user to change the default barcode symbology for a different application, the Scanner Control Panel provides the ability to change default symbology, place delimiter characters behind scanned data, and save the settings.

Press [FUNC] + 7 to display the Scanner Control Panel.

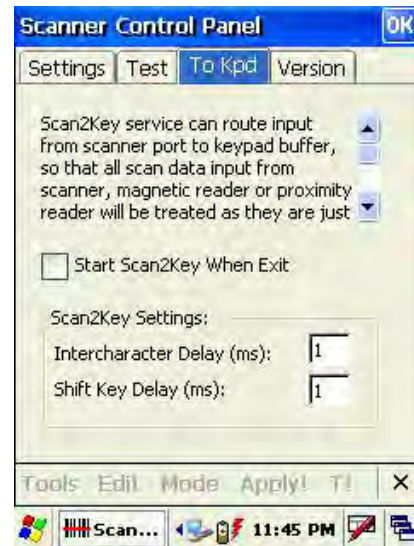
**NOTE:** Alternatively, tap **Start** → **Settings** → **System** → **Scanner Settings** to display the Scanner Control Panel.



## Scan2Key

The Scan2Key application routes input from a scanner port to a keypad buffer, making all input from the scanner emulate input from the keypad. Using Scan2Key, scanned data can be directly input into a scanner port aware application such as MS Mobile Word.

Press [FUNC] + [7] to display the Scanner Control Panel, then tap **To Kpd** to access Scan2Key settings.



## Using the RFID

The HH-6600 RFID sample application is provided for reading RFID tags. The RFID demo program is pre-loaded in the Flash Storage.

### Launching UHF RFID Demo Program

To launch the AWID HHT Demo program,

1. Double-tap **My Device**, then double-tap **Flash Storage**.
2. Double-tap the **HHT Demo AP** icon, then tap the **Connect Reader/Disconnect** button to connect/disconnect reader.



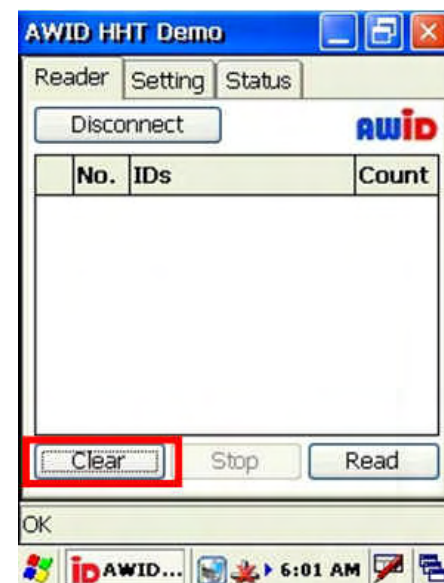
3. Tap the **Read** button or pull the trigger to enable reading tags.



4. Tap the **Stop** button or release the trigger to stop reading tags.



5. Tap the **Clear** button to clear the table contents.



6. Tap the **Setting** tab.
7. Set the **RF Power** by moving the slide bar.
8. Tap the **Set** button to confirm.



9. Tap the **Status** tab.
10. Tap the **Update** button to refresh module status.



## Getting Connected

The AWID HH-6600 enables users to link to a host computer using an RS-232, IrDA, or WLAN connection for data communication. This chapter provides an overview of HH-6600 communication options.

### Establishing Device-PC Connection

#### Installing Microsoft ActiveSync

In order to exchange data between your computer and the HH-6600, Microsoft ActiveSync must be installed on your computer. Use the USB charging cable that comes with your device or the docking station to connect the device to your computer.

**NOTE:** If you have a previous version of the Microsoft ActiveSync installed in your computer, uninstall it first before installing the latest version of Microsoft ActiveSync. The HH-6600 Ultra Rugged Mobile Computer requires ActiveSync version 4.2 or higher.

To install Microsoft ActiveSync on your computer:

1. Close any open programs, including those that run at startup, and disable any virus-scanning software.
2. Download the ActiveSync software from the Microsoft ActiveSync Download page at <http://www.microsoft.com/downloads/details.aspx?FamilyID=7269173a-28bf-4cac-a682-58d3233efb4c&DisplayLang=en>.
3. Browse to the location of the downloaded file, and double-click it. The installation wizard begins.
4. Follow the instructions on the screen to install Microsoft ActiveSync.

#### Connecting the Device to Your Computer

1. After ActiveSync has been installed, connect the HH-6600 to your PC as described in *Connecting the HH-6600 to a PC* on page 9.
2. Turn the HH-6600 on.
3. ActiveSync starts automatically and configure the USB port to work with the HH-6600. The New Partnership setup wizard automatically starts.



**NOTE:** If ActiveSync doesn't start automatically, click **Start** → **Programs** → **Microsoft ActiveSync**.

If a message appears indicating that it is unable to detect a connection, click the Cancel button and manually configure the communication settings.

4. Follow the onscreen instructions.

5. When the configuration process is complete, the ActiveSync window appears.



6. Synchronization will be initialized and will take place if you've chosen to synchronize periodically or upon connection.

**NOTE:** Your computer can create a partnership with multiple HH-6600s. Also, a HH-6600 can create a partnership with up to two computers.

## Using ActiveSync to Exchange Files

You can use ActiveSync to exchange information from your device your computer and vice versa. Changes you make to the information on one location will not affect the information on the other one. If you want to automatically update information on both your device and computer, synchronize the information instead.

You can copy two types of information to your device: files and Pocket Access Windows CE Store information.

The following procedure only applies to copying files. Refer to the ActiveSync Help on your computer for instructions on how to copy Pocket Access Windows CE Store information.

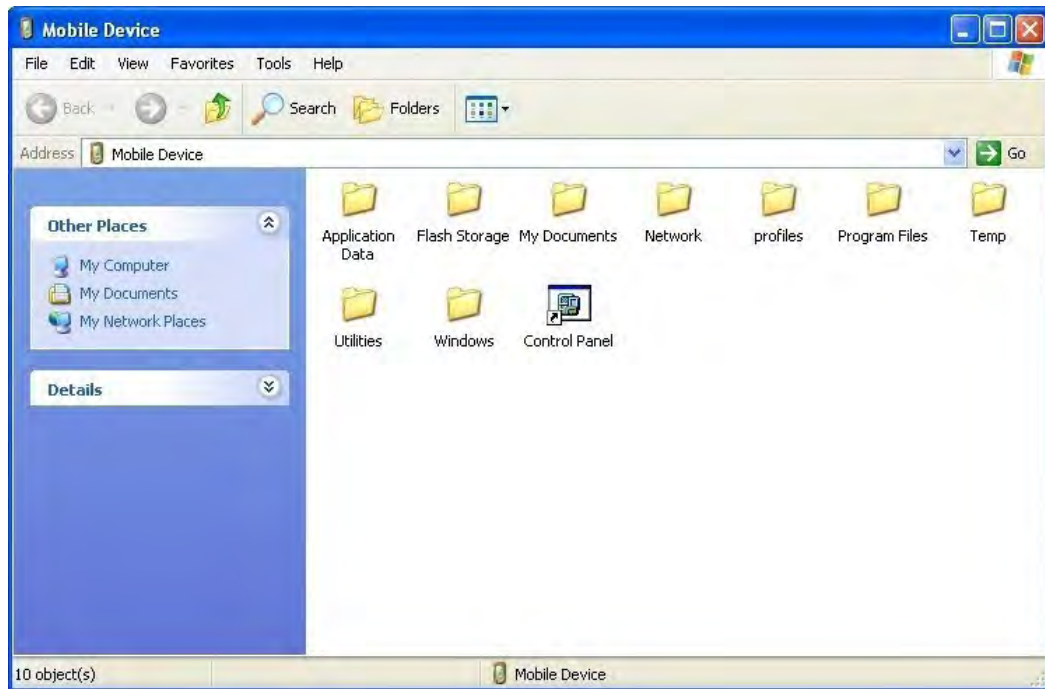
**NOTE:** Files created on your computer may need to be converted by ActiveSync so that they can be viewed and edited on your device, and vice versa.

To copy files:

1. Connect your device to your computer.
2. In ActiveSync on your computer, click Explore.



Windows Explorer opens the Mobile Device window for your device.



3. Locate the file that you want to copy on your device or computer.
4. Do either one of the following:
  - To copy the file to your device, right-click the file and click Copy. Place the cursor in the desired folder for your device, right-click, then click Paste.
  - To copy the file to your computer, right-click the file and click Copy. Place the cursor in the desired folder for your computer, right click, then click Paste.

## Using the WLAN

### Setting up the Wireless Local Area Network Card

The HH-6600 is pre-loaded with connection software. The HH-6600 automatically detects RF cards and then displays this screen during the first-time installation. Note that you can use one of the following two ways to set the IP address:

- Obtaining an IP Address via DHCP Server
- Specifying an IP Address

#### ***Obtaining an IP Address via DHCP Server***

Check with your MIS department to determine whether a DHCP server is available in your LAN environment. If available, tap the radio button next to Obtain an IP address via DHCP, and then tap the OK button.





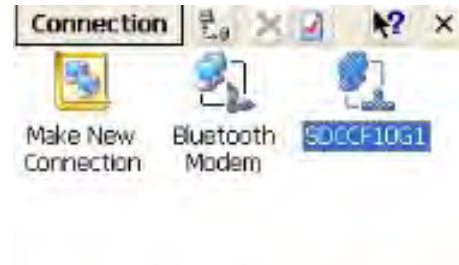
## Specifying an IP Address

If there is no DHCP server in your LAN environment, assign IP addresses to each HH-6600 as follows:

1. Tap **Start** → **Settings** → **Control Panel** and then double-tap **Network and Dial-up Connections**.



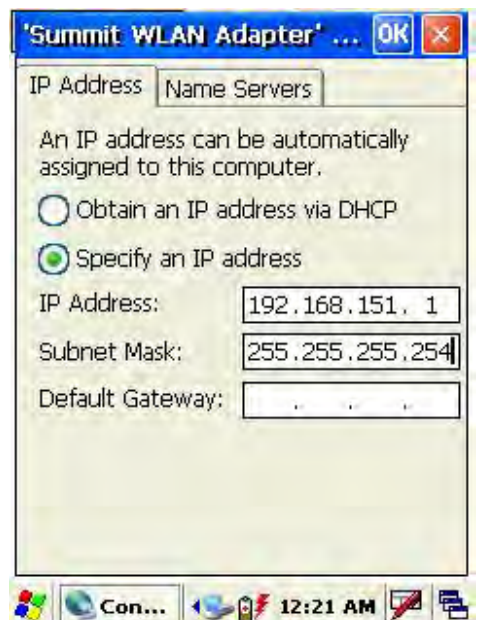
2. Tap the **SDCCF10G1** icon next to Specify IP Address.



3. Input the proper IP address, Subnet Mask, and Default Gateway.

4. Tap the Name Servers tab, and then input the proper Primary DNS, Secondary DNS, Primary WINS, and Secondary WINS.

To avoid conflict with your LAN environment, consult with your MIS department for the correct TCP/IP setting.



## WiFi Connection

AWID terminals come with built-in RF facility. This chapter guides the user on how to setup the RF setting.

1. Tap **Start** → **Programs** → **Summit** → **scu**.



2. Under “Main” tab, for **Active Profile**, select “**ThirdPartyConfig**”.



3. A Power Cycle is required to make settings activate properly. Tap “OK”.



4. Tap "OK".



5. Warm Start the terminal



6. Once the RF card is detected, you will see the RF setting window pop up.



7. Tap "Add New"(Or double tap your preferred network) to add a new SSID.

8. Enter the SSID. Uncheck "The key is provided automatically".Enter the network key.

9. Tap OK. Start to search for RF signal and the RF is connected.

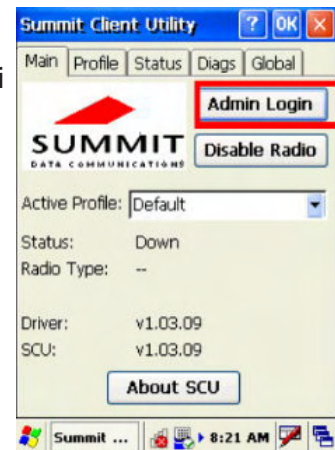


## Using the Summit Utilities

You can use the Summit Utility tool to setup or change the WiFi setting.

### Admin Login

1. To login as an administrator, tap “Admin Login”

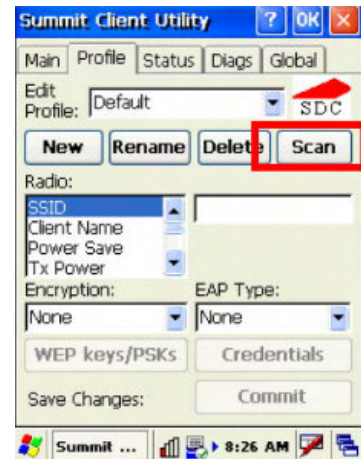


2. Enter the password. (Default password: SUMMIT)



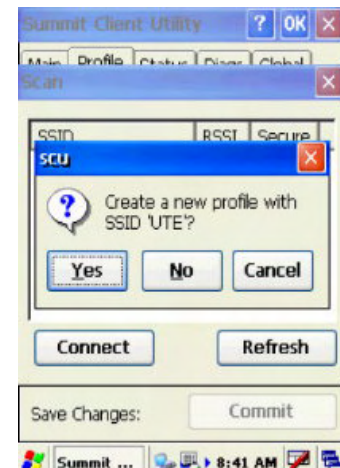
### Scan Available AP

1. In “Profile” tab, tap “Scan” for available AP.



2. You may select the AP you want to connect to and tap “Connect”.

3. Press “Yes” to connect.

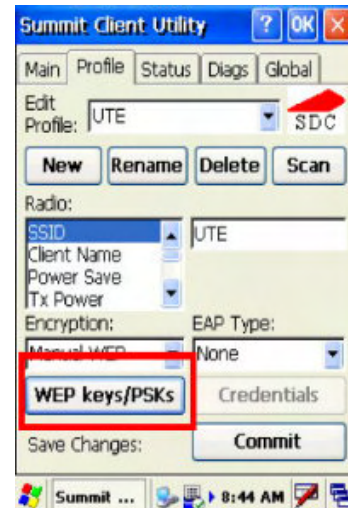
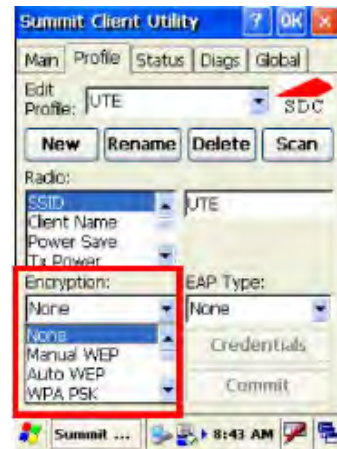


### Encryption:

1. To setup the encryption, scroll down the encryption list and select the encryption type in your network.

2. Tap "WEP keys/PSK's"

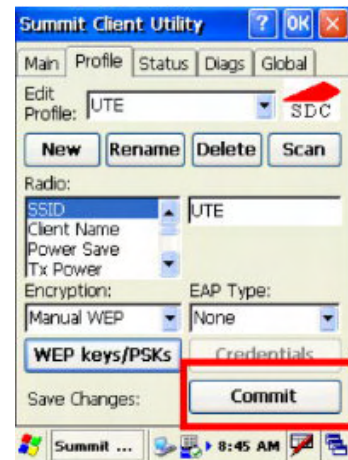
3. Enter the WEP keys and tap "OK".



### Commit and Activate

1. Tap "Commit" to activate the setting.

2. In "Main" tab, select the profile you want to activate.



3. In "Status" tab, you can see the IP address and the signal strength.



## System Specifications

|                                  |  |
|----------------------------------|--|
| <b>Hardware</b>                  |  |
| Memory:                          | 64 MB ROM / 64MB SDRAM   |
| Microprocessor:                  | Intel X-Scale 400MHz   |
| Display:                         | NEC 240*320 Transflective TFT Color LCD, support 256K color, with backlight, with touch screen.                          |
| <b>Operating System</b>          |  |
|                                  | Microsoft Windows CE.NET5.0 Professional Plus  |
| <b>Power</b>                     |  |
| Battery Type:                    | Rechargeable Lithium-Ion   |
| Battery System:                  | 7.4V 4050mAh (double cell)   |
| Battery Life:                    | Up to 16 hours   |
| Recharging Time:                 | Within 6 hours when power status is very low   |
| <b>Keypad with LED backlight</b> |  |
|                                  | 36 key keypad with numeric key, alpha key and function key   |
| <b>Standard Communications</b>   |  |
|                                  | Bluetooth, 802.11b/g, USB 1.0, IrDA  |
| <b>Scanner Engine</b>            | Integrated SE950 laser scanner <i>(Optional)</i>   |
| <b>RFID Reader</b>               | UHF 902~928MHz, EPCG1, Gen 2   |
| <b>Physical Characteristics</b>  | Lx W x H: 7.17"3.46"5.91"<br>Weight: 26.81oz   |
| <b>Environment</b>               |  |
| Operating Temp                   | -5° to 50°C  |
| Storage Temp                     | -20° to 60°C   |
| Relative Humidity:               | 5% to 95% (non-condensing)   |
| <b>Key Accessories</b>           | Desktop Cradle<br>2 Slot Battery Charger<br>4 Slot Battery Charger<br>4 Slot Multi-bay<br>Charging & Communication Cable |
| <b>Software Development Kit</b>  | AWID HH-6600 SDK<br>Microsoft Embedded Visual Tool   |
| <b>Regulatory</b>                | FCC  |