

Installation Sheet (Wiegand Interface) (Part No. 001-98-A)

Sentinel-Prox MM-6800 Reader



Reader Description

Revision G

June 20, 2006

The Sentinel-Prox MM-6800 Reader is a radio-frequency proximity reader for Access Control Systems. The Reader consists of a transmit/receive antenna and reader electronics in a polycarbonate housing. The reader electronics and antenna are potted with epoxy resin to protect against the environment. The Reader may be mounted on a metal doorframe, a window mullion, or any surface (wall, cabinet, etc.).

Parts List

(a)	Installation Sheet, P/N 001-98-A	Qty=1
(b)	Sentinel-Prox MM-6800 Reader, P/N 001-20-A	Qty=1
(c)	#6-32 x 1" thread-cutting screw, P/N 616PPN23ZP	Qty=2
(d)	Screw-hole plug, P/N 001-27-A	Qty=3 (1 spare)

Installation Procedure

1. Position the reader (item b in the Parts List) at the desired location. Observe ADA height requirements. Drill two 7/64 (0.109)-inch holes for the reader screws, and one clearance hole for the cable (see Figure 1).
2. Clip off the white connector from the end of the reader's cable. Keep the wires as long as possible.
3. Connect the reader's cable to the access control panel as shown in Figure 2. Connect the **yellow** wire only if used for Beeper control by the panel. Connect the **blue** wire only if used for Hold control by the panel. **Do not connect the orange and violet wires to anything. Tape or cap all unused wires singly.**
4. Use a linear regulated DC power supply, between 5 volts (50 mA peak) and 12 volts DC (80 mA peak).
5. Install the reader on the doorframe or other surface. Attach the reader to the doorframe with supplied screws (item c in the Parts List).
6. Power up the reader. The LED should be steady Amber. (The beeper does not sound.)
7. Present a valid AWID proximity credential (card, keytag, or wafer) briefly to the reader. The beeper sounds a *Long-Long-Short* sequence. The LED is steady Red to indicate standby mode. The reader is now initialized and can read cards. **Note:** All credentials must be AWID's own products.
8. The LED color in standby may be changed from Red to Green, or from Green to Red, using a *Color Changer* card, available from AWID. Remove power from the reader for a few seconds, then restore power. While the LED is Amber, present the Color Changer card to toggle the LED color at standby.
9. When installation is complete, insert screw-hole plugs (item d in the Parts List) into the screw clearance holes to conceal the screw heads. Note: Screw-hole plugs are for one-time use. After they are seated, they cannot be removed without damaging the plugs.

Product Specifications

Cable to Controller (for basic connections)

- 5 to 7 conductors (not twisted pairs), stranded, 22 AWG, color-coded insulation, overall 100% shielded (Number of conductors depends upon use of optional features – Beeper, Hold and LED. See Figure 2.)
- Length for Wiegand interface..... Up to 500 feet

Read Range with AWID Card (Metal-Compensated)

- At 5 V Typically 6 inches (15 cm)
- At 12 VDC..... Typically 8 inches (20 cm)

Characteristics

- Indoor and Outdoor UL Listed
- Operating Temperature Range -35° C to 65° C (-31° F to 150° F)
- Operating Humidity 0 to 95% non-condensing

(continued)

Operating Parameters

- Excitation Frequency125 kHz
- Wiegand Output.....26 bits to 50 bits (determined by code in credentials)

CertificationsFCC Part 15 certification; Industry Canada

Notes

1. When wiring the reader, connect the black wire (ground) first, and the red wire (power) last.
2. When the yellow wire is not used, the beeper remains active and under the reader's internal control.
3. Beeper, Hold, and LED lines are at logic levels. *Never* apply power to them. They may be pulled to a low level (0 to 1.2 VDC) to enable their function, and left floating at a high level (3.6 to 5.0 VDC) when not used.
4. MM-6800 readers have both Wiegand-protocol and RS-232 serial interfaces. For information on RS-232, contact AWID's technical support.
5. For additional information, please visit AWID's web site (www.awid.com). Send all technical support questions to support@awid.com. Call AWID at **1-800-369-5533** from 8:00 a.m. to 7:00 p.m. Eastern Time.
6. FCC Compliance: This equipment has been tested and found to be in compliance with the limits for FCC part 15, Class A digital device. These limits are designed to provide reasonable protection against harmful interference when the equipment is operated in a commercial environment. This equipment generates, uses and can radiate radio frequency energy and, if not installed and used in accordance with instruction manual, may cause harmful interference with radio communications. Operation of this equipment in a residential area is likely to cause harmful interference in which case the user will be required to correct the interference at his own expense.

The users are prohibited from making any change or modification to this product. Any modification to this product shall void the user's authority to operate under FCC Part 15 Subpart A Section 15.21 regulations.

This device complies with Part 15 of the FCC Rules. Operation is subject to the following two conditions:

(1) This device may not cause harmful interference, and (2) this device must accept any interference received, including interference that may cause undesired operation.

7. Industry Canada Compliance: Operation is subject to the following two conditions: (1) This device may not cause harmful interference, and (2) this device must accept any interference, including interference that may cause undesired operation of the device.

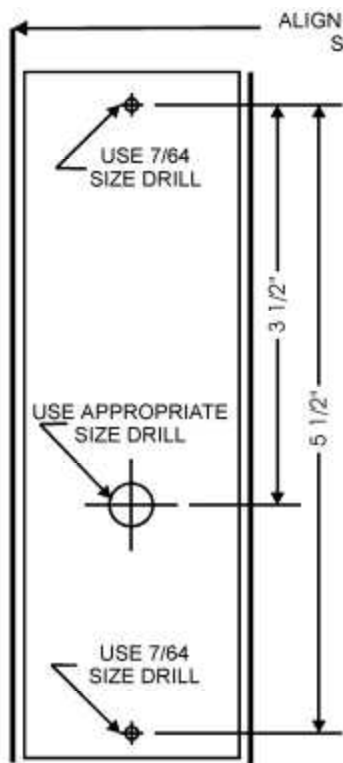


FIGURE 1: HOLES LOCATION

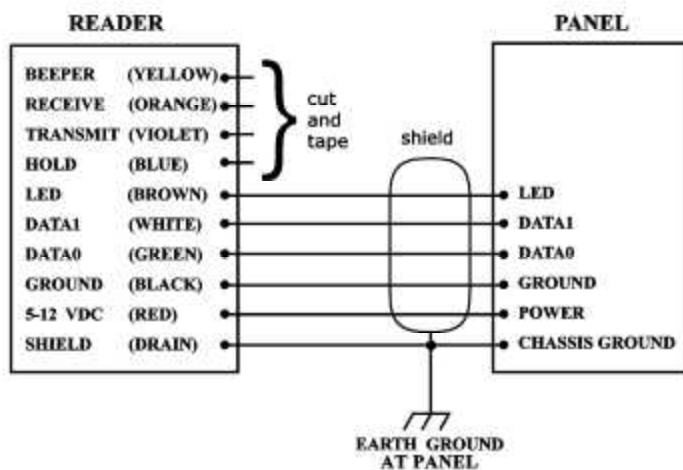


FIGURE 2: WIRING DIAGRAM (WIEGAND)