



# SENTINEL-SENSE MPR-2010AR

## Installation & Operation Manual-041308



## **COPYRIGHT ACKNOWLEDGEMENTS**

The contents of this document are the property of Applied Wireless Identifications Group, Inc. (AWID) and are copyrighted. All rights reserved. Any reproduction, in whole or in part, is strictly prohibited. For additional copies of this document please contact:

AWID

382 Route 59, Section 292

Monsey, NY 10952

[www.sales-ast@AWID.com](mailto:www.sales-ast@AWID.com)

The information contained herein has been carefully checked and is believed to be accurate, no responsibility is assumed for inaccuracies. AWID reserves the right to make changes without prior notice. This document is not covered by any warranty either expressed or implied. Any comments, corrections or additions to the contents of this document should be directed to AWID at the above address.

Copyright 2003 AWID, Printed in USA.

All other trademarks are the property of their respective owners.

## **FCC COMPLIANCE**

This equipment has been tested and found to be in compliance with the limits for FCC Part 15, Class A digital device. These limits are designed to provide reasonable protection against harmful interference when the equipment is operated in a commercial environment. This equipment generates, uses and can radiate radio frequency energy and, if not installed and used in accordance with instruction manual, may cause harmful interference with radio communications. Operation of this equipment in a residential area is likely to cause harmful interference in which case the user will be required to correct the interference at his own expense.

The users are prohibited from making any change or modification to this product, any modification to this product shall voids the user's authority to operate under FCC Part 15 Subpart A Section 15.21 regulations.

"This device complies with Part 15 of the FCC Rules. Operation is subject to the following two conditions: (1) This device may not cause harmful interference and, (2) this device must accept any interference received, including interference that may cause undesired operation."

## **INDUSTRY CANADA COMPLIANCE**

Operation is subject to the following two conditions: (1) this device may not cause interference and (2) this device must accept any interference, including interference that may cause undesired operation of the device.

**CAUTION:**

**Reader should be positioned so that personnel in the area for prolonged periods may safely remain at least 23 cm (9 in) in an uncontrolled environment from the reader's surface. Observe FCC OET Bulletin 56 "Hazards of radio frequency and electromagnetic fields" and Bulletin 65 "Human exposure to radio frequency electromagnetic fields."**

## Table of Contents

<b>1</b>	<b>INTRODUCTION .....</b>	<b>5</b>
1.1	General Description & Theory of Operation .....	5
1.2	Special Features: .....	7
<b>2</b>	<b>SPECIFICATIONS .....</b>	<b>8</b>
2.1	Channel Frequency Table .....	8
2.2	Input and Output Interfaces & Connector Pin Assignment.....	8
2.2.1	Connector Pin Assignment.....	8
2.3	Measuring Read Distance .....	9
<b>3</b>	<b>INSTALLATION &amp; OPERATION GUIDELINES .....</b>	<b>10</b>
3.1	Site Survey .....	10
3.2	Preferred Reader Installation Practices.....	10
3.3	Mounting Preference .....	10
3.4	General Wiring Requirements .....	10
3.5	Wiring Diagrams .....	11
3.6	Grounding.....	11
<b>4</b>	<b>INSTALLATION PROCEDURE .....</b>	<b>12</b>
4.1	Parts List .....	12
4.2	Preparation for Installation .....	12
4.2.1	Bench Top Verification .....	12
4.2.2	Aiming of Antenna.....	12
4.2.3	Mounting Considerations .....	13
4.3	Installation Steps .....	13
<b>5</b>	<b>SOFTWARE PROGRAMMING AND SYSTEM OPERATION NOTES .....</b>	<b>14</b>
5.1	System Operation.....	14
5.1.1	Running a Custom Software Application or the AWID Demo Program ....	14
5.1.2	Operating Modes.....	14
5.2	Users Note .....	15
<b>6</b>	<b>MPR SERIAL COMMUNICATION PROTOCOL.....</b>	<b>15</b>

**NOTE: READ AND USE THIS MANUAL.**

**NOTE: FAILURE TO FOLLOW THE INSTALLATION GUIDE MAY RESULT IN POOR PERFORMANCE OR EVEN CAUSE PERMANENT DAMAGE TO THE READER, THUS VOIDS THE PRODUCT WARRANTY.**

## 1 INTRODUCTION

AWID's Sentinel-Sense MPR-2010AR is a long-range (12 to 15 feet) Radio Frequency IDentification (RFID) reader with RS-232 I/O interface that works with most leading UHF passive tags. This reader comes with a unique combination of long read range, small size, and low power consumption. It has an internal power converter, allowing it to work with a wide range of supply inputs without affecting its performance. Its primary applications are asset management and tracking, and fleet management applications.

The MPR-2010AR readers are delivered with the following components and accessories:

- ❑ CD containing interface document and demo SW
- ❑ Power supply – PS9-2A-SW, 50-60 Hz and 110 to 220 VAC

In order to control the MPR-2010AR reader you will need the following:

- ❑ PC running Windows<sup>1</sup> 98 or higher, CD-ROM drive and one RS-232 serial port.
- ❑ Host software (AWID's demo software or your own custom software).
- ❑ RFID Tags (EPC Class 0, 1, ISO Type B or EM Micro, etc)

### 1.1 GENERAL DESCRIPTION & THEORY OF OPERATION

This reader uses radio frequency to identify, locate and track pallets and/or items that carry the appropriate RFID transponders. It works in non-line-of-sight situations and in darkness, bright sun-light, or through dirt, grime and smudges.

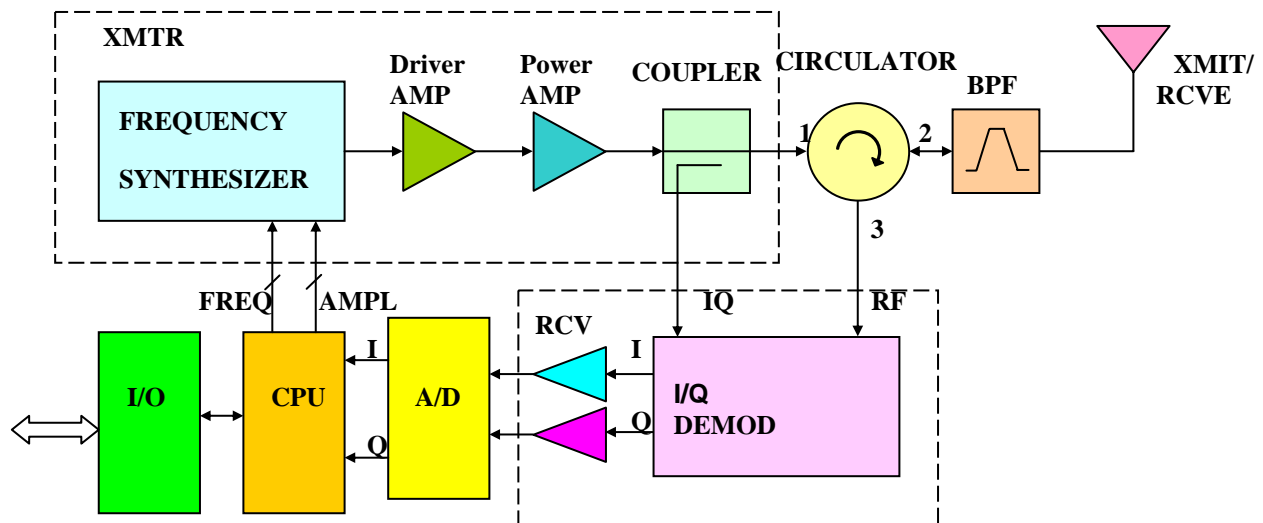
A typical RFID system consists of three components – a reader (interrogator), a transponder (card or tag), and a data processing controller. The reader has an internal micro-controller section, a transmitter section, a receiver section, and a circular polarized transmit/receive antenna. Passive transponders (tags or labels) consist of an antenna and an RFID ASIC (Application Specific Integrated Circuits). During operation, the transmitter sends out an electromagnetic wave to establish a zone of surveillance. When a transponder enters this zone, the electromagnetic energy from the reader begins to energize the IC in the transponder. Once the IC is energized, it goes through an initialization process and is ready to accept further commands. Upon receiving a command that queries its identity, the RFID ASIC begins to broadcast its identity through a low-energy back-scattering process, which selectively reflects or “back-scatters” the electromagnetic energy to the interrogator. The receiving circuits in the reader sense and decode this “back-scattered” signal and determine the identity of the transponder.

Passive tags are “beam powered”, which is the electromagnetic energy radiated by the transmitter section of the reader. Upon receiving a legitimated command, the tags will cause the matching of the tags antenna to vary from match to mismatch, thereby causing the tags to either absorb the RF energy or to reflect the RF energy. This absorption or reflection sequence is commanded by the tags' internal memory and this

<sup>1</sup> Though MPR-2010AR can also be controlled from a non-Windows programming platform, AWID demo and FW upgrade programs are applications to run in Windows.

is how the tags' internal data are "conveyed" to the reader. The reader in turn monitors the perturbation of the RF energy field, and thereby receives the varying degree of signal reflected from the tags.

One of the unique design features for a (single-antenna) RFID reader is that it must simultaneously transmit a strong CW signal and at the same time, receive a weak reflected signal with little frequency separation. In a traditional design, such functions are implemented through the use of a circulator. As shown in Figure 1, there is a 3-port device between the Coupler and the band pass filter, which is called a circulator. A circulator is physically constructed by a permanent magnet, a Y junction on a high-dielectric ferromagnetic substrate, and a ferromagnetic enclosure to complete the flux field. A circulator permits flow of RF energy in one direction only, e.g. from port 1 to 2, 2 to 3, and 3 to 1. When one of the ports is terminated (matched condition), the other two are isolated in the reverse direction. Many fixed-site RFID readers use circulators to ensure that the power amplifier output flows from the amplifier (port 1) to the antenna (port 2), and the received signal flows from the antenna (port 2) to the receiver (port 3). When properly matched, a circulator can provide typically 15 to 18 dB of isolation between the power amplifier output (port 1) and the receiver input (port 3), thereby reducing any in-band interference from transmitter output to receiver input. MPR-2010AR uses a similar circuit to accomplish the same function, but in a much smaller physical size.



**Figure 1 Block Diagram, Single-Antenna RFID Reader**

It should be noted that some fixed-site reader designs use separate transmit and receive antennas to resolve this T/R signal isolation problem. Figure 2 is a block diagram of such a dual-antenna RFID reader. On the surface, this design has the advantage of allowing a low-level design on the receive chain, which means lower compression point for mixers, lower saturation point for amplifiers, and the possibility of using a front-end amplifier to enhance receiver sensitivity. Such dual-antenna design becomes problematic in a mobile environment, where signal strength is not easily controlled. A

well-designed dual-antenna reader can usually provide 25 to 30 dB of isolation between the two signal paths, reducing the unwanted signal in the receive chain to  $-20$  dBm. However, when the RFID reader antenna is facing a tag placed on a large metallic object at a distance of 12 inches, the reflected transmitter signal at the receiver input can be as high as 13dBm, thereby eliminating any advantage of the dual-antenna design.

In actual circuit implementation, AWID developed a proprietary circuit to duplicate the functions of the circulator, with improved directivity and isolation.

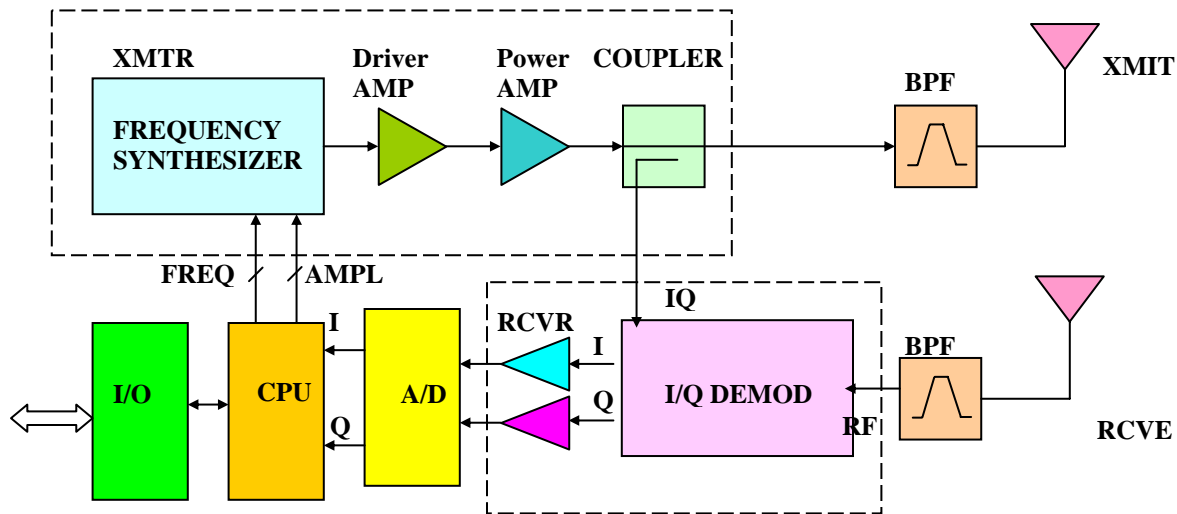


Figure 2 Block Diagram, Dual-Antenna RFID Reader

## 1.2 SPECIAL FEATURES:

- Multi-Protocol: ISO-18000-6 Type B, EPC Class 1<sup>2</sup> Gen 1 & 2, EM Micro, EPC Class 0<sup>3</sup>, EPC V1.19 Rev.2
- Thin passive tags with long-range performance
- High performance circular polarized antenna
- RS-232 input/output
- Splash proof design for indoor or outdoor applications
- UV stabilized housing

<sup>2</sup> Both 64- and 96-bit

<sup>3</sup> Both 64- and 96-bit

## 2 SPECIFICATIONS

Input voltage	+7.0 VDC to +15 VDC
Input current	1.0 A (7.0 V) to 0.40 A (15 V) typical
Protocol language	ISO Type B, EPC Class 1 Gen 1 & 2, EM Micro, EPC Class 0, EPC V1.19 Rev.2
Read range	Depends on type & size of labels used
Output power	1.0 Watt into 6 dB antenna
Transmit frequency	902-928 MHz
Receiver frequency	902-928 MHz (Amplitude Modulated)
Hopping channels	50 Channels
Channel spacing	500 kHz
Hopping sequence	Pseudo random
Operating temperature range	-30° C to +65° C (-22° F to 149° F)
Color	Beige
Output data format	RS232
Dimension	8X9.5X1.125 inches (20X24X2.86 cm)
Weight	

### 2.1 CHANNEL FREQUENCY TABLE

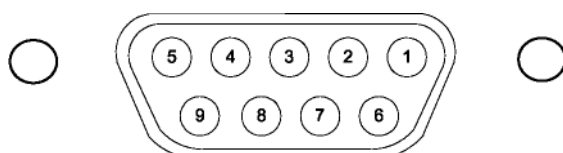
Frequency range: 902 ~ 928 MHz

Minimum Number of frequency channels: 50

CH	902~928	MHz	CH	902~928	MHz	CH	902~928	MHz	CH	902~928	MHz	CH	902~928	MHz
0	903.14	MHz	20	908.06	MHz	40	912.98	MHz	60	917.91	MHz	80	922.83	MHz
2	903.63	MHz	22	908.55	MHz	42	913.48	MHz	62	918.40	MHz	82	923.32	MHz
4	904.12	MHz	24	909.05	MHz	44	913.97	MHz	64	918.89	MHz	84	923.82	MHz
6	904.62	MHz	26	909.54	MHz	46	914.46	MHz	66	919.38	MHz	86	924.31	MHz
8	905.11	MHz	28	910.03	MHz	48	914.95	MHz	68	919.88	MHz	88	924.80	MHz
10	905.60	MHz	30	910.52	MHz	50	915.45	MHz	70	920.37	MHz	90	925.29	MHz
12	906.09	MHz	32	911.02	MHz	52	915.94	MHz	72	920.86	MHz	92	925.78	MHz
14	906.58	MHz	34	911.51	MHz	54	916.43	MHz	74	921.35	MHz	94	926.28	MHz
16	907.08	MHz	36	912.00	MHz	56	916.92	MHz	76	921.85	MHz	96	926.77	MHz
18	907.57	MHz	38	912.49	MHz	58	917.42	MHz	78	922.34	MHz	98	927.26	MHz

### 2.2 INPUT AND OUTPUT INTERFACES & CONNECTOR PIN ASSIGNMENT

#### 2.2.1 Connector Pin Assignment





<u>Pin</u>	<u>Function</u>	<u>Pin</u>	<u>Function</u>
1	Ground	6	+7V/+15V
2	RS232 Tx	7	+7V/+15V
3	RS232 Rx	8	Data 0
4	Enable RFID	9	Data 1
5	Ground	10	Ext Data in

### **2.3 MEASURING READ DISTANCE**

Make sure you know the tag types. For certain readers and tags, user must also be mindful of the tag's orientation and the reader's antenna orientation, what mounting surface the tags are designed for and how the tags are supposed to be mounted. Any departure from its intended purpose will drastically affect the reader's ability to energize the tag and its read range.

When measuring the reader's read range, make sure that the tag is properly oriented to the reader antenna, and for optimum performance, be sure the operator's finger is not within three (3) inches of the tag's antenna surface.

### **3 INSTALLATION & OPERATION GUIDELINES**

#### **3.1 SITE SURVEY**

Always conduct a site survey before starting installation. Avoid any possible sources of interference. For best result, use a spectrum analyzer with a wideband antenna and set the spectrum analyzer in Max Hold mode to gain measurement of the maximum signal strength on the airwave. If the MPR-2010AR reader is not installed properly, the performance will be degraded. Listed below are steps that should be followed during installation:

- Do not install reader in an area where sources of broadband noise may exist. Avoid mounting the reader facing a cellular phone tower or in close proximity to the base station of a 900 MHz wireless telephone.
- Keep all of the reader wiring a safe distance from all other wiring, including, but not limited to, AC power, computer data wiring, and telephone wiring, and wiring to electrical locking devices.
- Avoid operating the reader in close proximity to other 900 MHz wireless local area networking (WLAN) equipment. It should be noted that MPR-2010AR readers are known to work in electromagnetic crowded areas, such as trade shows.

#### **3.2 PREFERRED READER INSTALLATION PRACTICES**

- Avoid mounting the reader under direct sunlight. Exposure to direct sunlight may cause the reader to operate at a temperature above the 65 degrees Celsius upper limit.
- Make sure that the supply voltage of the reader is within specification
- Use cables with over-all shield (screen)
- For best results, avoid bundling data cable with AC power and computer cables
- Use the largest wire gauge where feasible
- Use dedicated power supply, where necessary
- Use Single Point Grounding, and avoid ground loops

#### **3.3 MOUNTING PREFERENCE**

MPR-2010AR has a uni-directional antenna with an antenna beam width of about 60-70 degrees. The radiation pattern is an oval-shaped beam, which should be aimed toward where the transponders will pass.

#### **3.4 GENERAL WIRING REQUIREMENTS**

All the reader wiring should be continuously shielded. AWID recommends using #24 AWG up to #22 AWG, longer distances and higher current consumption on the power supply line will require larger gauge wires. PG I/O output are standard access industry Wiegand drivers, which is capable of 500 feet driving distance.

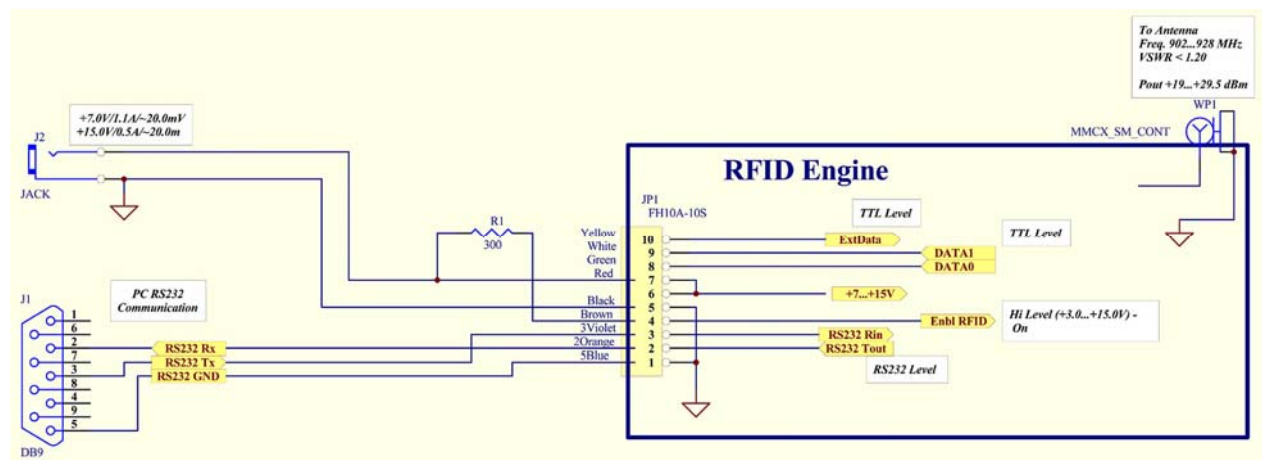
TABLE 3.4-1: Data Line's Wiring Requirement

WIRE SIZE	#22 AWG (0.6 mm Dia.)	#24 AWG (0.5 mm Dia.)
RS-232	50 ft (15 meters)	50 ft (15 meters)

### 3.5 WIRING DIAGRAMS

See section 2.1 for pin assignment for the RS-232 connector.

MPR-2010AR's RS-232 interface is a short distance serial interface, a full command set for the standard serial interface is not necessary, therefore only transmit, receive and ground wires are used. Sense input is an enable input, which is traditionally used to activate the RF energy of the reader and to start the read functions.



### 3.6 GROUNDING

Grounding is critical for proper operation of MPR-2010AR. When installing the reader, it is crucial to assure that the earth ground is the best ground available. If you elect to use the 120 VAC power ground, conduct a test by measuring its resistance relative to a known good ground, such as a cold water pipe or structural steel that is in direct contact with the ground. The resistance should be less than 50 ohms.

## 4 INSTALLATION PROCEDURE

This section provides installation and operation information for MPR-2010AR readers.

### 4.1 PARTS LIST

Verify that all items listed below are present before starting the installation.

- |    |   |       |
|----|---|-------|
| a. | Sentinel-Sense MPR-2010AR reader          | Qty=1 |
| b. | Documentation and Demo Program CD         | Qty=1 |
| c. | LRMB – Reader mounting bracket (Optional) |       |

### 4.2 PREPARATION FOR INSTALLATION

Familiarize yourself with the connectors and pin out assignment of each I/O connectors as shown in section 2.2.1.

#### 4.2.1 Bench Top Verification

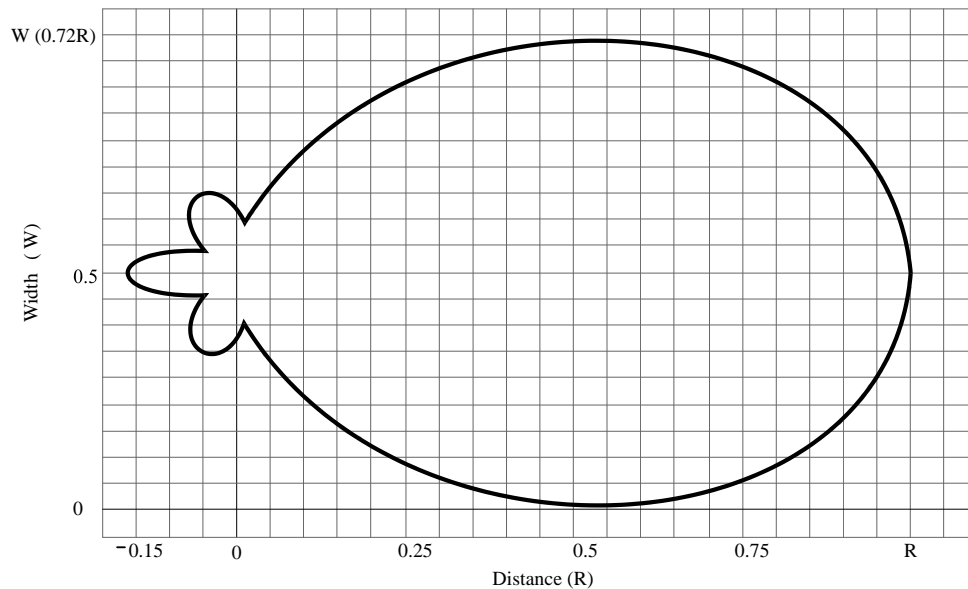
It is always a good idea to verify system operation before committing to a full-scale installation. The following are the necessary steps to test the reader's operation in a static environment.

- ❑ Connect MPR-2010AR reader to the RS-232 port of a PC
- ❑ Connect the power jack from the wall plug power supply to the MPR-2010AR reader.
- ❑ Power up PC
- ❑ Install demo software on PC
- ❑ Activate demo software and verify performance of the reader.
- ❑ Select COM port 1 on top page then click "Connect". Follow with some commands.
- ❑ Place the RFID tags at the exact same locations as the final configuration
- ❑ Measure tag's read distance and confirm that read distance is correct.

#### 4.2.2 Aiming of Antenna

##### **Antenna Pattern for MPR-2010AR**

MPR-2010AR comes with a circular polarized antenna to ensure reading tag with random orientation. Most circular polarized antenna has a horizontal to vertical differential of up to 3 dB, this will cause the antenna pattern to deviate from a true circle. AWID's antenna has a horizontal to vertical differential of typically less than 0.5 dB, making its pattern as near to a circle as possible.



**Figure 3 - MPR 2010AR Antenna Pattern**

- Antenna pattern measurements represent both horizontal and vertical polarized planes of the read area transmitted by the reader.
- In the drawing above, R = approximately 12 feet to 15 feet for MPR-2010AR with Alien free space tags.
- Antenna pattern can be affected by RFI and other environmental conditions.

#### 4.2.3 Mounting Considerations

##### Antenna Mounting Bracket

Also available from AWID is an optional antenna-mounting bracket (part # LRMB) that provides antenna tilt adjustment and pan adjustment. Photo at right shows how the reader is mounted onto the LRMB.



#### 4.3 INSTALLATION STEPS

- 1) Check to ensure that all connections are secure. Make sure all wires through the cable clamps are anchored properly. Avoid dangling wires that may become a safety hazard.

- 2) Mount the reader using the two recessed threaded holes to fasten to reader on the desired mounting surface. Please note that the threaded inserts are closed-ended, the user must select screws with the exact length to ensure proper tightening of the mounting screws. In cases where the reader aiming is critical, please order antenna-mounting bracket (P/N LRMB) from AWID. This mounting bracket provides pan/tilt adjustment for the reader. Users can also drill holes through the plate as required.
- 3) Adjust the position or the angle of the reader so that the tags are detected and read at the desired distance from the reader.

## 5 SOFTWARE PROGRAMMING AND SYSTEM OPERATION NOTES

### 5.1 SYSTEM OPERATION

#### 5.1.1 Running a Custom Software Application or the AWID Demo Program

If AWID Demo Program is not used, it is expected user will launch a Custom Software Application developed using the *MPR Serial Communication Protocol* to send to reader the commands as defined by the protocol.

#### 5.1.2 Operating Modes

Typical operating modes for MPR-2010AR readers can be grouped into the following modes:

##### **Search Mode**

This mode is used when operator or user is not certain what family of tags is placed on the items to be tracked. Since most tags are deterministic in nature, reader must cycle through each and every protocol, issue a protocol specific inquiry, to hail and to wait for a response from tags of that specific protocol. Therefore, if there are many different protocols, for an untrained observer, the reader response will appear sluggish.

##### **Mixed Mode**

This mode assumes the user is aware of the types of protocol in use, and furthermore, the user made a determined effort to operate the reader in a mixed protocol mode. In this mode, the user can decide how many and which specific protocols to be selected. Once Mix Protocol Mode is selected, the reader will routinely cycle through each protocol, dwell long enough for the reader to wait for a response and then move on to the next protocol. It should be noted that in a mixed protocol mode, the tag must have sufficient time to respond to the reader, and therefore, it can only be used on a conveyor belt arrangement, with specific speed restrictions.

##### **Single Protocol Mode**

Single protocol is the normal mode of operation, where the protocol type is known and many tags are expected to pass through the readers.

## 5.2 USERS NOTE

### **For System Integrators and/or Software Developers**

System Integrators and/or Software developers should get familiar with the *MPR Serial Communication Protocol* specifications for developing applications that control MPR-2010AR readers.

### **For Custom System Users**

For custom system user, please refer to your host software user guide for information regarding system and software operations

### **For Demo Software Users**

If you are using the AWID demonstration software application which is .NET based with easy-to-follow GUI operations, simply select the COM port for which the reader is configured then click *Connect* should get you started.

## 6 MPR SERIAL COMMUNICATION PROTOCOL

See *MPR Serial Communication Protocol* – Doc# 041300.