

BUSTER BUBBLES



*Our First Ever
Touch Screen
Video
Redemption
Game!*

Dimensions: 33" w x 32" l x 70" h



Buster Bubble

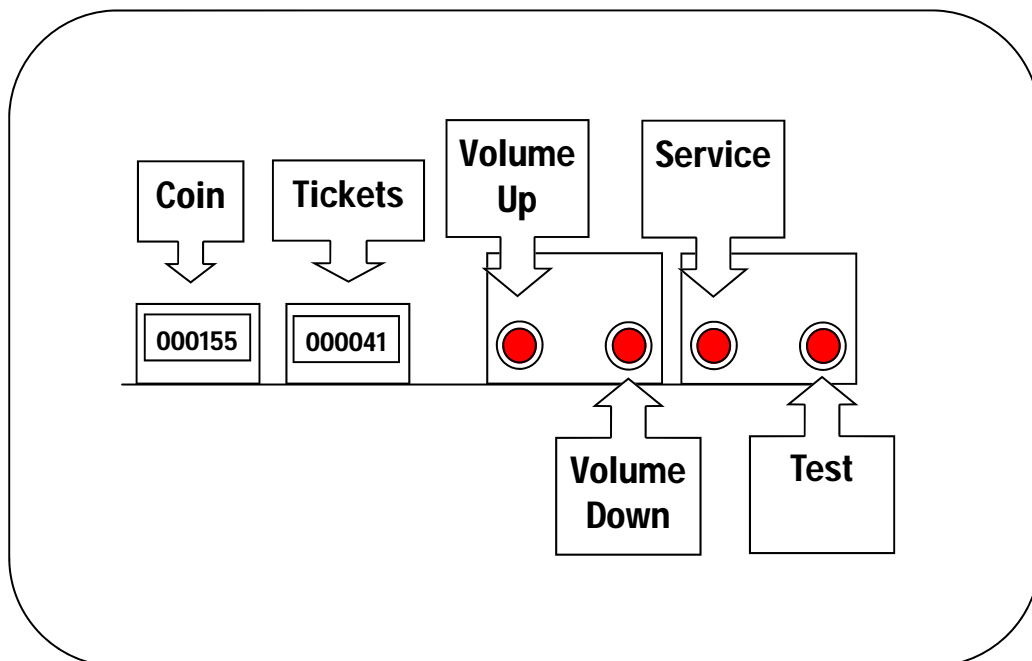
Table of Contents

Setup - Calibration - Cleaning	Page 3 - 6
Entering Setup	
Calibration	
Cleaning Touch Screen	
Programming	
Assembly diagrams	
Lower assembly	Page 7
Monitor assembly	Page 8 - 9
Back Door assembly	Page 10
Bottom plate assembly	Page 11 - 12
I/O board assembly	Page 13
Jamma Harness Pinout	Page 14
Parts list	Page 15

Setup

Located inside the coin door are the coin and ticket meters, volume up and down buttons, service button, and test button. You can lower or raise the volume by pressing the UP and DOWN VOLUME buttons or set the volume through settings. To test play your game without adding to the coin meter, press the SERVICE button. To enter programming options, press the TEST button.

To navigate through the menus, press volume up and down to move to different options and press test to select that option.



Touch Screen - Calibration and Cleaning

When you have installed your game on location it is a good idea to enter programming and adjust the calibration. Doing so will ensure reliable operation at that location. If at anytime you upgrade the software to a newer version you should also enter programming and perform a calibration.

When cleaning your touch-screen monitor it is important to never use an ammonia based cleaner. Any non-ammonia based glass cleaner can be used to clean the screen. Always spray the glass cleaner on the cloth or towel and then clean the touch-screen.

Setup - Programming

Software version 1.00.01

Main Menu

Operation Adjustments

<i>Game Adjustments</i>	<i>Default</i>	<i>Options</i>
Invert Touch Input	Off	On/Off
Use Bonus Bar	On	Off/On
Bonus Payout Amount	Small	Small/Medium/Large
 <i>Ticket Adjustments</i>		
Minimum Tickets	1	0 or 1
Ticket Value (in cents)	.01	0 - 100
Credit Value (in cents)	.25	0 - 100
 <i>Coin Settings</i>		
Free play	Off	On/Off
Currency Type	Dollar	Country or Coins
Currency Unit Value	.25	
Coin 1 Value	.25	
Coin 2 Value	.25	
Coin 3 Value/DBV Pulse	.25	
Maximum Credits	\$500	
 <i>Player Cost/Payout</i>		
Cost to Play	.25	
Target Payout Percentage	40%	25 - 50
 <i>Volume</i>		
Game Volume	8	1-32
Attract Volume	6	1-32
Attract Sounds	occasionally	off/always/occasionally

Setup - Programming

Software version 1.00.01

Main Menu

General Audits

Game Audits

Games played

Average game time

Ticket Audits

Total tickets dispensed

Average tickets per play

Current payout percentage

Total tickets (500 games)

Average tickets (500 games)

Payout percentage (500 games)

Tickets owed

System Audits

Playtime

Up time

Watch dogs

Exceptions

Bad traps

Coin Audits

Total Coin 1

Total Coin 2

Total Coin 3 (DBV)

Lifetime coin count

Service credits

Setup - Programming

Software version 1.00.01

Main Menu

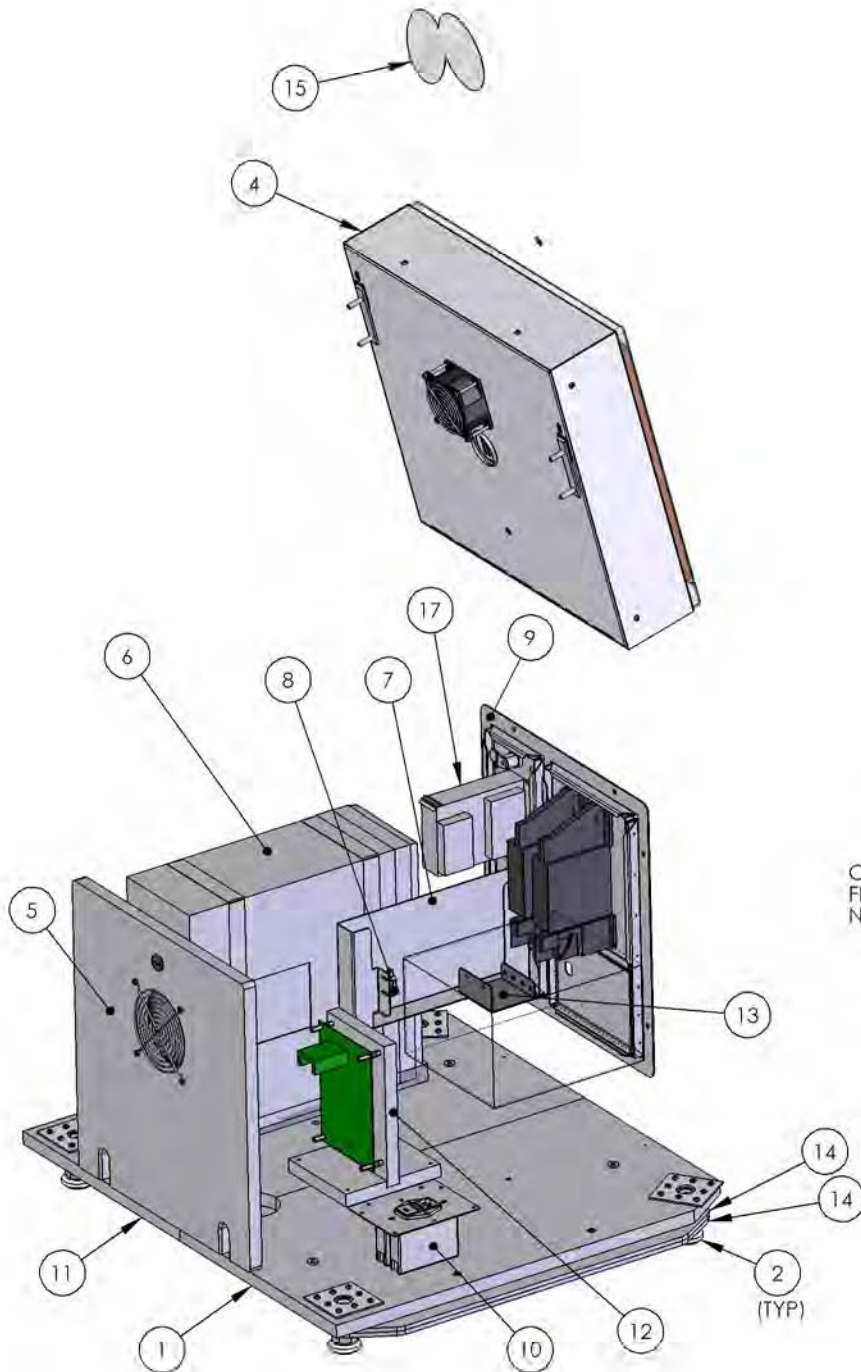
Reset Menu

Reset game audits
Reset credits
Reset tickets
Reset coin counters
Reset adjustments
Factory reset

System Tests

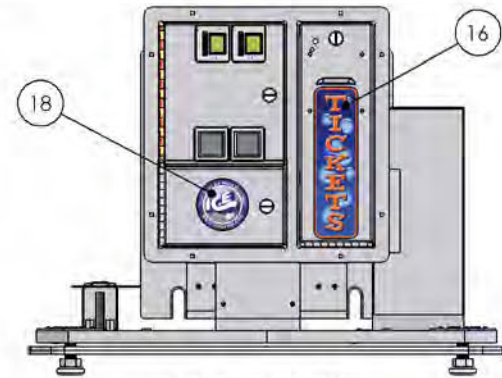
Version list
Switch test
Screen tests
Sound test
File test
Coin meter test
Ticket dispenser test
Dipswitch settings
Watchdog test

Screen Calibration



COMPONENTS DIAGRAM
 FIBERGLASS SHELL BODY (BU3001)
 NOT SHOWN

ITEM NO.	PART NUMBER	DESCRIPTION	QTY.
1	BU3054X	MOUNTING PANEL - LEFT ASSY	1
2	HR1019	LEVELING LEG SHORT	4
3	BU3001	FIBERGLASS BUSTER SQUIRREL	1
4	BU1001X	MONITOR HOUSING ASSEMBLY	1
5	BU3052CX	LOWER REAR ACCESS DOOR ASY	1
6	DN2000	DN COMPUTER	1
7	WS1022	TICKET BIN (DOUBLE)	1
8	211	SWITCH (LOW TICKET) V7-2B17D8	1
9	WA5001	COIN DOOR (TRIPLE) DUAL MECH W/ TICKET	1
10	BU2007X	ASY (POWER SUPPLY)	1
11	BU3055X	MOUNTING PANEL - RIGHT ASSY	1
12	BU3060X	ASSY- PCB MOUNTING BOARD	1
13	SX1013	COUNTER BRACKET	1
14	BU1004	BASE PLATE	2
15	BU7011	DECAL-EYES	1
16	BU7009	DECAL-TICKETS	1
17	HH5005	TICKET DISPENSER (ENTROPY)	1
18	7989	DECAL-ICE WEB LOGO	1

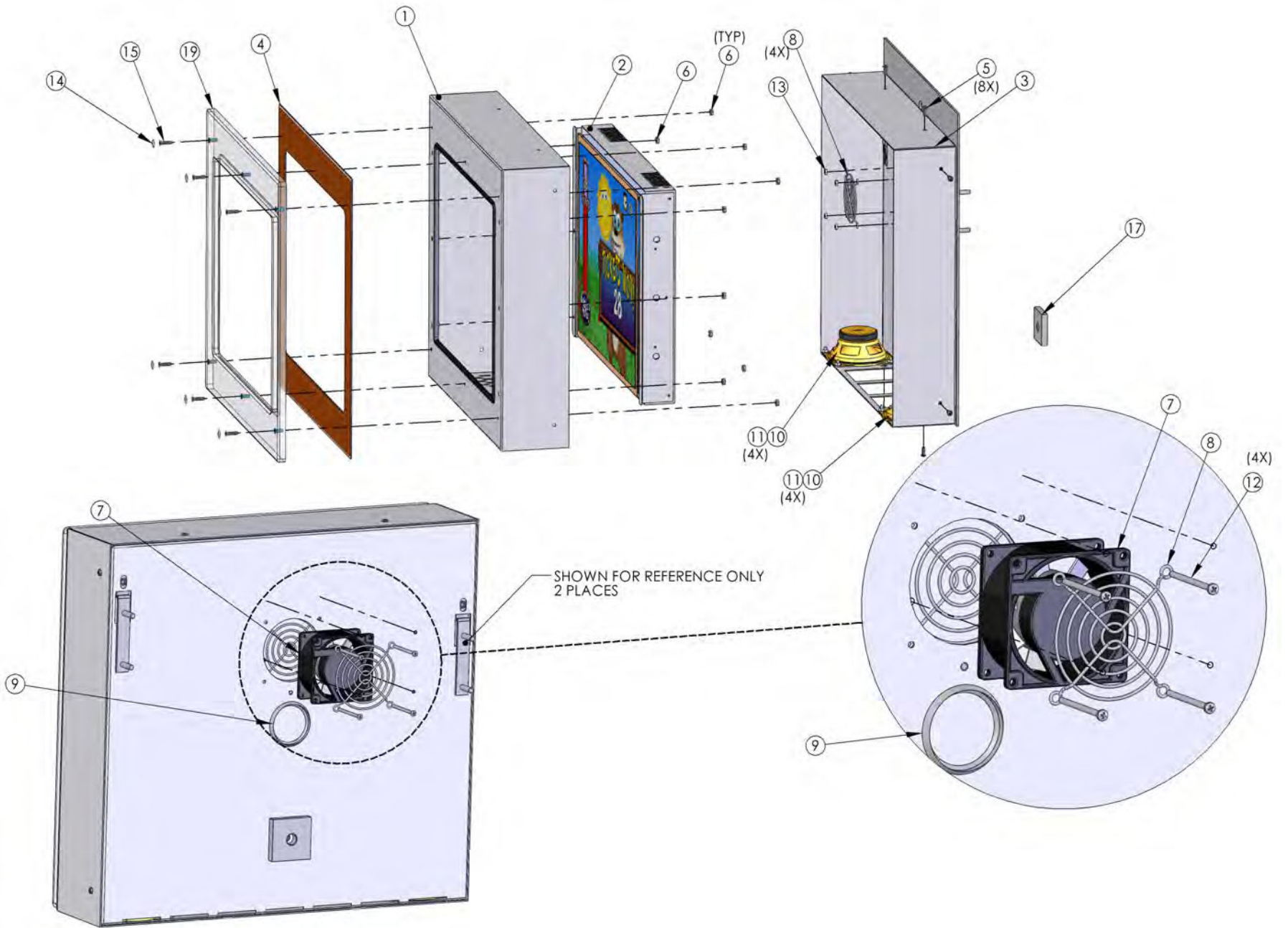


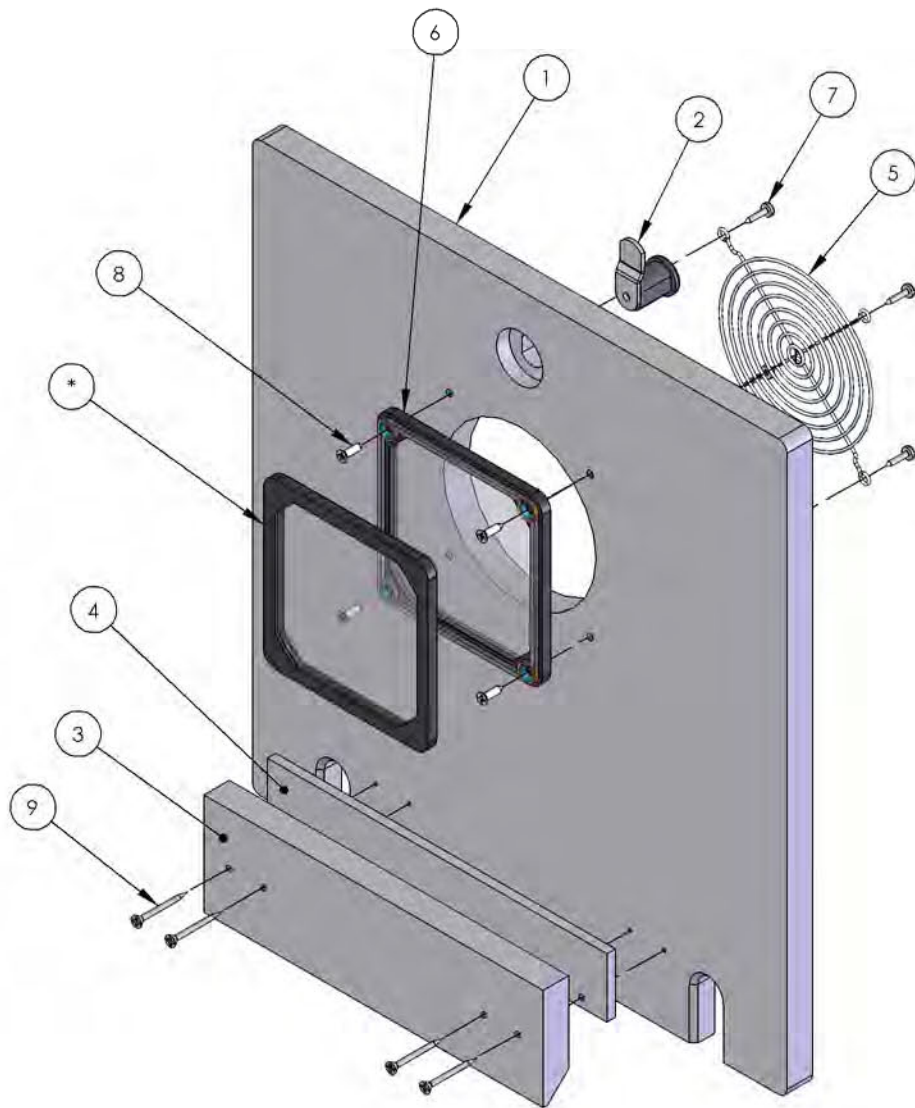
FRONT VIEW



BU1001X

ITEM NO.	PART NUMBER	DESCRIPTION	QTY.
1	BU1001	MONITOR FRONT HOUSING	1
2	MONT19T	MONITOR (19" TOUCHSCREEN)	1
3	BU1002	MONITOR MOUNTING FRAME	1
4	BU7010	DECAL - MONITOR BEZEL	1
5	6433	BHCS, #8-32 x .50" LG. (ZINC)	8
6	6004a	8-32 KEP NUT	12
7	2764	SMALL AC FAN	1
8	E2364G	FAN GUARD (FG-8) METAL 80MM (ROHS)	2
9	3079	GROMMET (BP2 - PUNCHED)#853118	1
10	FP2007	SPEAKER (4" ROUND) 60-9240	2
11	SK624	6-32 KEP NUT	8
12	6146	6-32 x 2" LG. PPHMS	4
13	6002A	6-32 NYLOCK NUT	4
14	3030	SCREW CAP (SC-1BK)	6
15	6676	#8-32x.75" LG. PFHMS	6
16	BU3001 CUTOUT	BODY- CHEST CUTOUT/HOLE PATTERN	1
17	BU3002	MONITOR SPACER	1
18	PX4001	GASKET (C)	1
19	BU7010M	GRAPHIC BEZEL	1

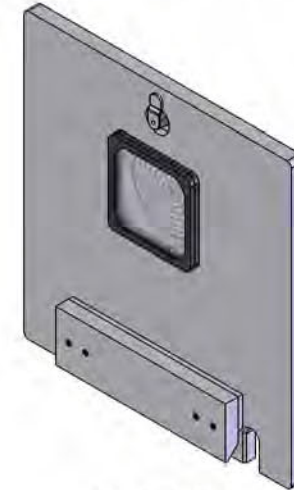




EXPLODED VIEW

ITEM NO.	PART NUMBER	DESCRIPTION	QTY.
1	BU3052	REAR ACCESS DOOR	1
2	5014	7/8" CAMLOCK	1
3	BU3090	REAR ACCESS DOOR CLEAT	1
4	BU3091	REAR ACCESS CLEAT SPACER	1
5	E02027G	FAN FINGER GUARD	1
6	E02027FL	FAN FILTER 120MM	1
7	655S	#8 x 5/8 SQ. DRIVE (SILVER)	4
8	6267	#8 X 5/8 PHILLIPS FLAT HEAD (ZINC)	4
9	6166	DRYWALL SCREW 1-1/2"	4

DWG. NO.	BU3052CX	REV.
	1 of 1	A

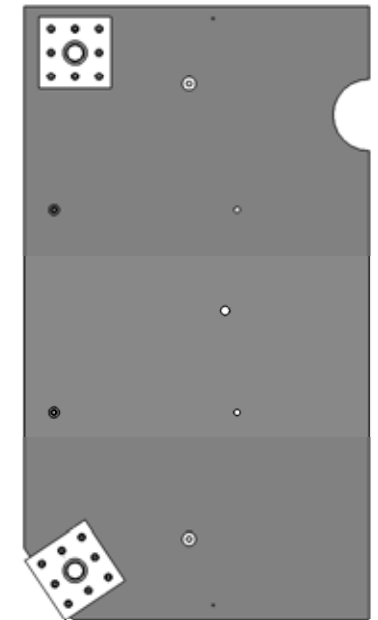
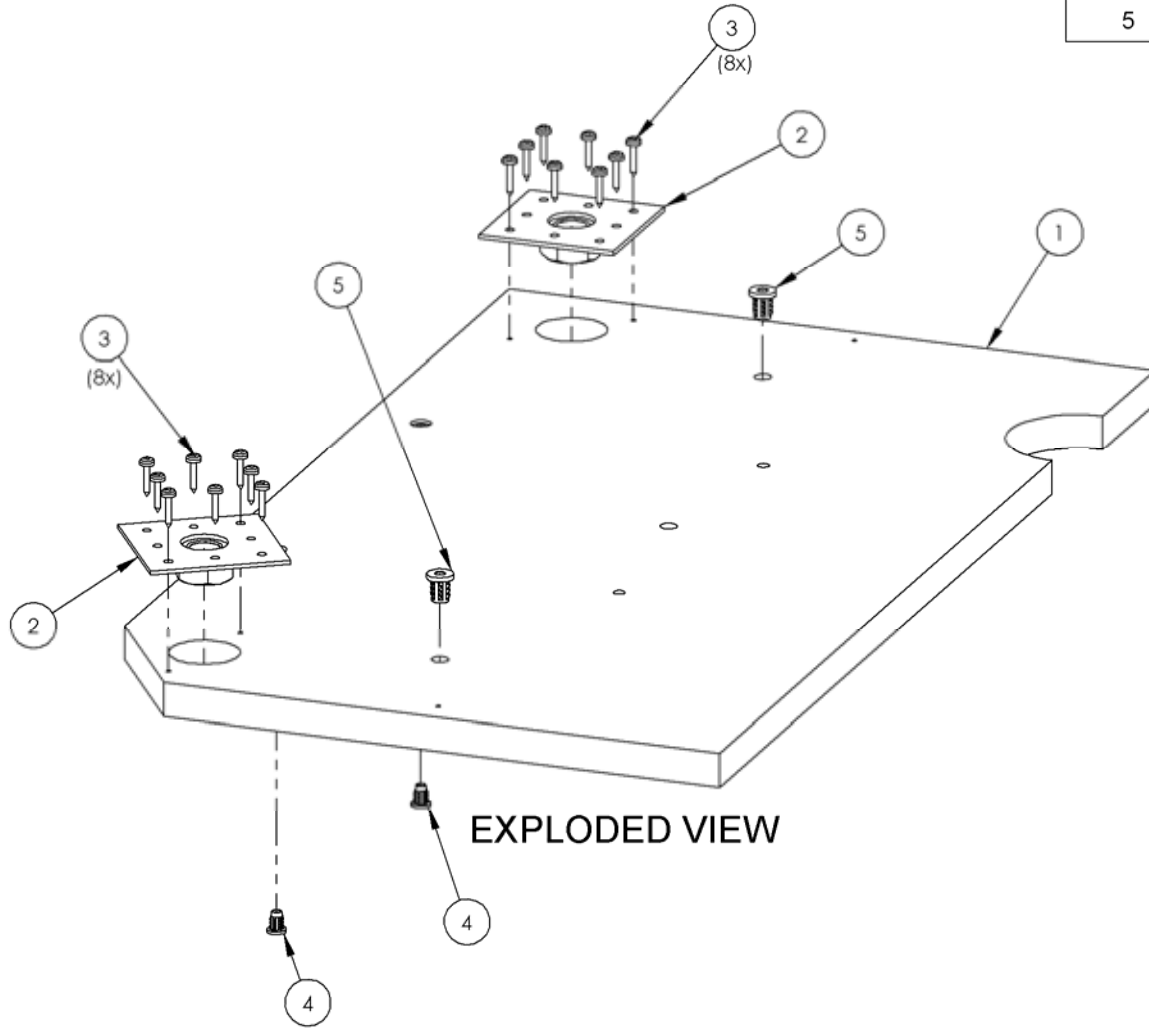


ISO VIEW

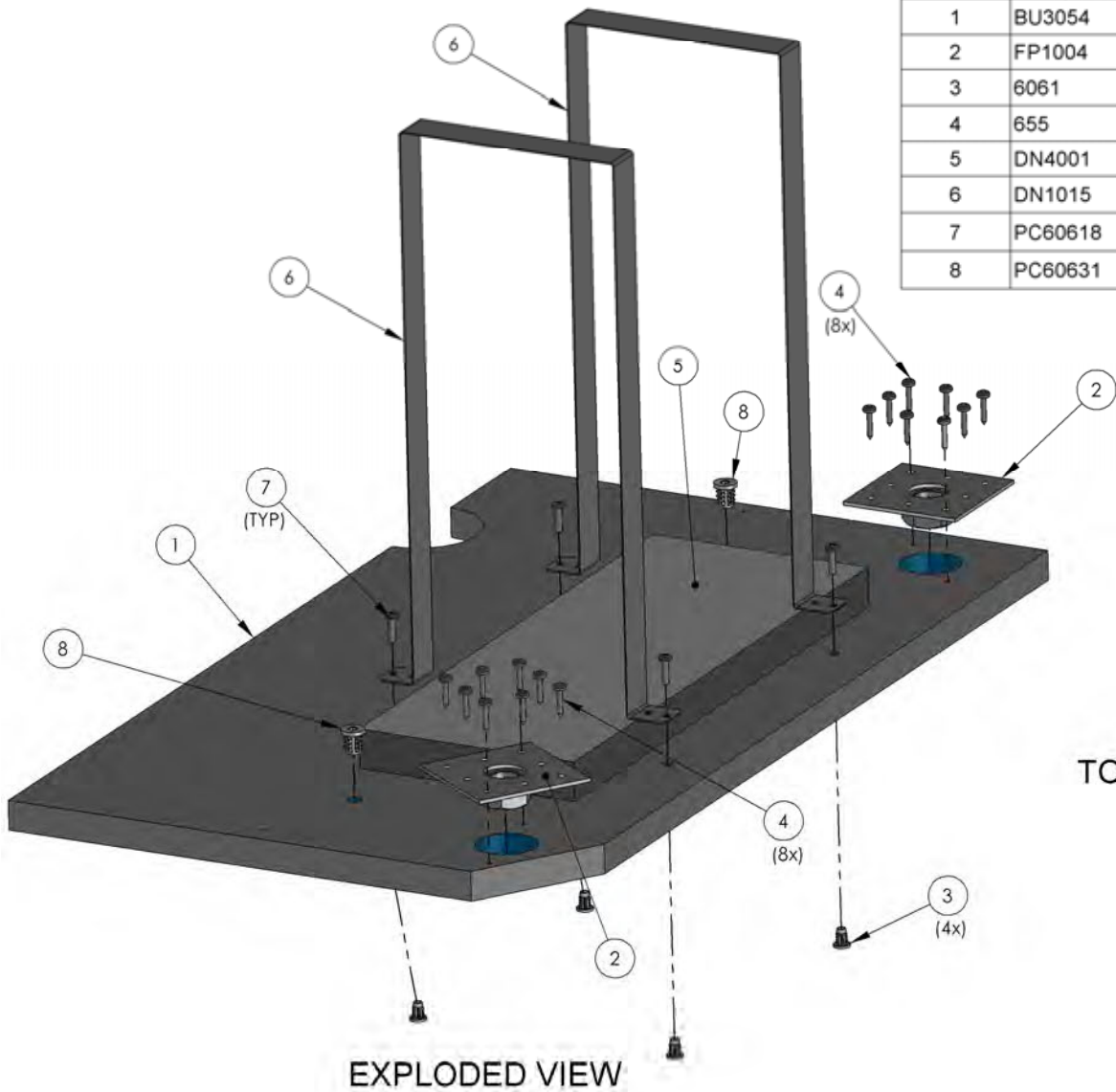
ITEM NO.	PART NUMBER	DESCRIPTION	QTY.
1	BU3054	PC MOUNTING PANEL	1
2	FP1004	LEG'S MOUNTING PLATE	2
3	655	#8 x 3/4 SQ. DRIVE (BLACK)	16
4	6061	8-32 CAB INSERT (J-50111)	2
5	PC60631	025-20 CABINET INSERT (J50115)	2

DWG. NO.: BU3054X
1 of 1

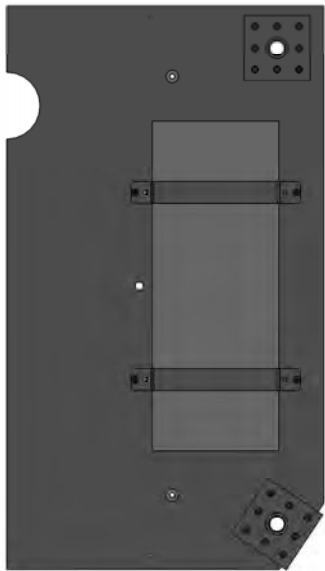
REV. A

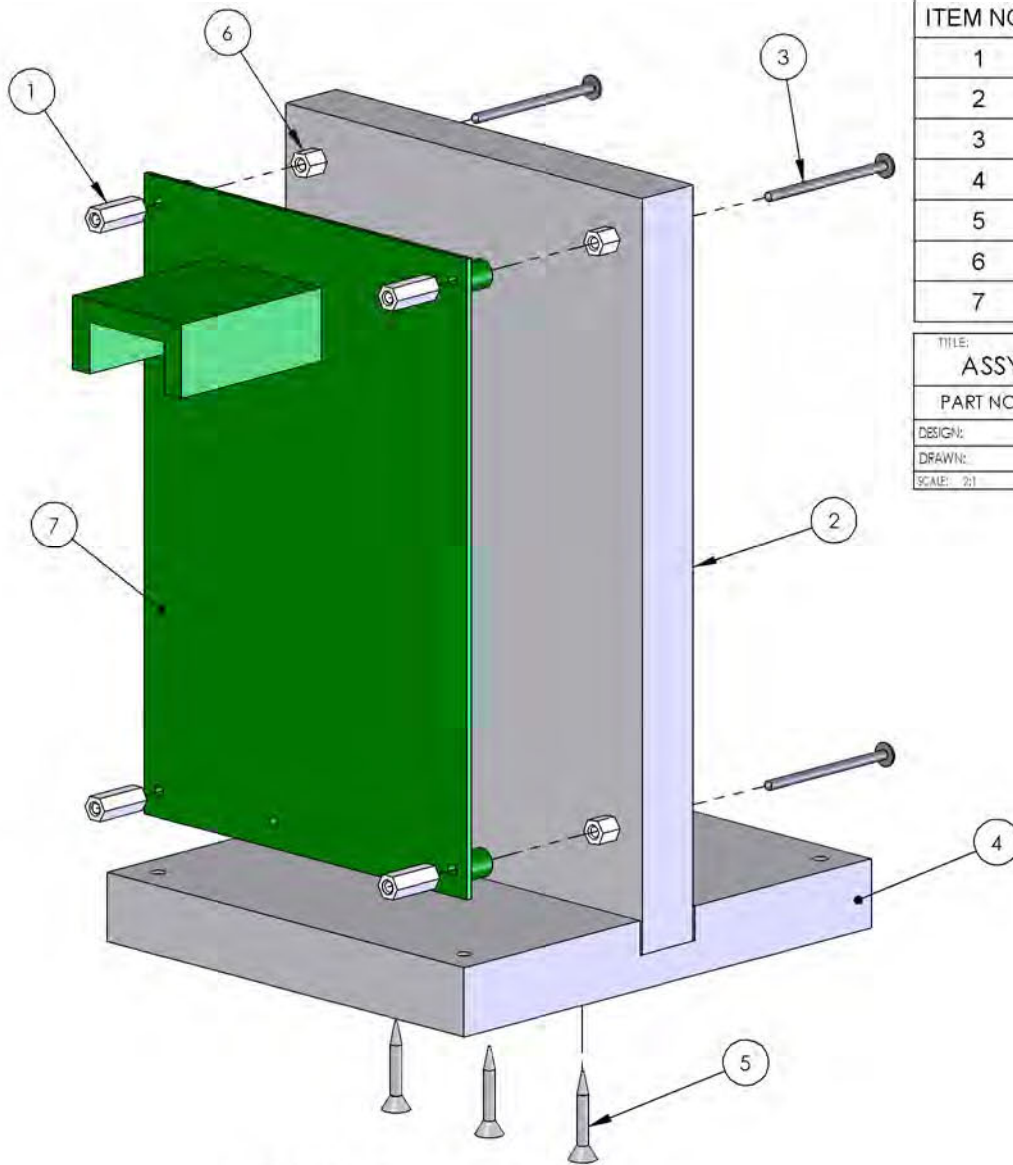


ITEM NO.	PART NUMBER	DESCRIPTION	QTY.
1	BU3054	PC MOUNTING PANEL	1
2	FP1004	LEG'S MOUNTING PLATE	2
3	6061	8-32 CAB INSERT (J-50111)	4
4	655	#8 x 3/4 SQ. DRIVE (BLACK)	16
5	DN4001	COMPUTER FOAM PAD	1
6	DN1015	COMPUTER STRAP	2
7	PC60618	8-32x7/8 PHMS	4
8	PC60631	025-20 CABINET INSERT (J50115)	2



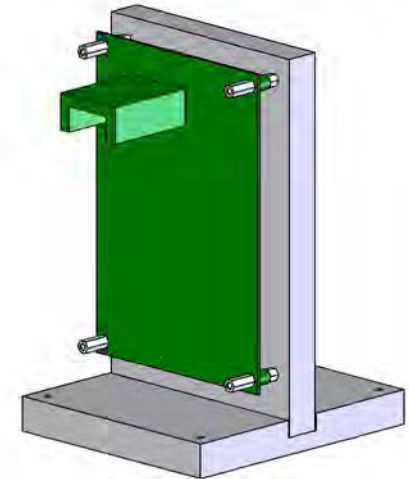
TOP VIEW





ITEM NO.	PART NUMBER	DESCRIPTION	QTY.
1	PC60641	6-32 x 5/8 HH SPACER 14HTSP020	4
2	BU3060	PCB MOUNTING BOARD	1
3	PC60628	6-32X1 3/4 PRHMS	4
4	BU3061	PCB FOOT	1
5	6019	#6 DRYWALL SCREW 1"	3
6	PC60643	6-32 x 1/4 HH SPACER 14HTSP007	4
7	DN2034X	PCBA JAMMA I/O BOARD	1

TITLE: ASSY- PCB MOUNTING BOARD		
PART NO.:		
DESIGN:	DWG. NO.:	REV.:
DRAWN:	BU3060X	A
SCALE: 2:1	TO A SIZE	1 of 1



EXPLODED VIEW

COMPONENT SIDE			SOLDER SIDE		
GROUND	1	BLACK	GROUND	A	BLACK
GROUND	2	BLACK	GROUND	B	black
+ 5 VOLTS	3	RED	+ 5 VOLTS	C	DUMMY PIN
+ 5 VOLTS	4	DUMMY PIN	+ 5 VOLTS	D	DUMMY PIN
	5	DUMMY PIN		E	DUMMY PIN
+ 12 VOLTS	6	ORANGE	+ 12 VOLTS	F	ORANGE
KEY	7	KEY	KEY	H	KEY
COIN METER	8	white/yellow	TICKET ENABLE	J	violet/white
RESET	9	VIOLET	TICKET METER	K	white/green
L SPEAKER +	10	red/grey	L SPEAKER -	L	brown/grey
R SPEAKER +	11	red/white	R SPEAKER -	M	brown/white
VIDEO RED	12	DUMMY PIN	VIDEO GREEN	N	DUMMY PIN
VIDEO BLUE	13	DUMMY PIN	VIDEO SYNC	P	DUMMY PIN
VIDEO GROUND	14	DUMMY PIN	SERVICE SWITCH	R	white/grey
TEST SWITCH	15	white		S	DUMMY PIN
COIN 1	16	white/brown	COIN 2	T	white/red
TICKET NOTCH	17	violet/blue		U	DUMMY PIN
	18	DUMMY PIN		V	DUMMY PIN
	19	DUMMY PIN		W	DUMMY PIN
	20	DUMMY PIN		X	DUMMY PIN
	21	DUMMY PIN		Y	DUMMY PIN
	22	DUMMY PIN		Z	DUMMY PIN
	23	DUMMY PIN		a	DUMMY PIN
VOLUME UP	24	white/blue	VOLUME DOWN	b	white/violet
PROGRAM	25	DUMMY PIN		c	DUMMY PIN
	26	DUMMY PIN		d	DUMMY PIN
GROUND	27	black	GROUND	e	DUMMY PIN
GROUND	28	black	GROUND	f	DUMMY PIN

Parts List

Electronics:

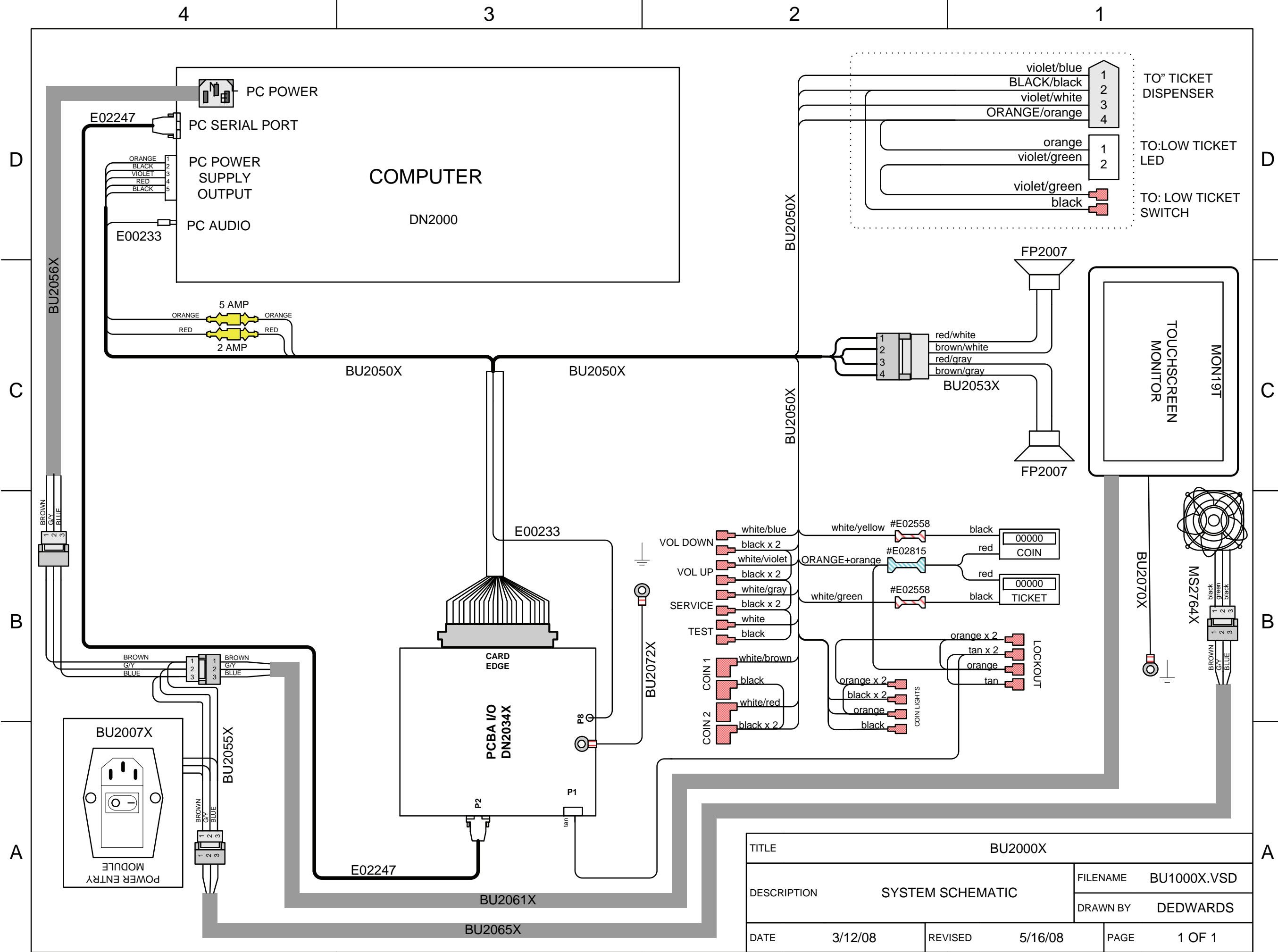
1029WSX	Asy Reset Button
BU2007X	Asy (Power Mod 4 Amp)
E00038	Fuse 4 Amp 250v Slow Blow
E02062	Fuse 5A
E02258	Fuse 2A
E00211	Switch (Low Ticket)
E02027FL	Fan Filter
BU2000X	Computer
DN2034x	PCBA Jamma I/O Board
FP2007	Speaker 4" Round
HH5005	Ticket Dispenser
MON19T	Monitor (19" Touch screen)
MS2764X	Asy (Small Fan)

Decals:

7989	ICE Website Logo
BU7009	Decal – Tickets
BU7010	Monitor Bezel
BU7011	Decal – Eyes
BU9001	BU Service Manual

Mechanical:

BU3001	Squirrel Fiberglass
BU3052	Rear Access Door
DN4001	Computer Foam
WA5001	Coin Door (Triple) Dual Mech
WS1022	Ticket Bin (Single)



TITLE		BU2000X	
DESCRIPTION		FILENAME	BU1000X.VSD
		DRAWN BY	DEDWARDS
DATE	3/12/08	REVISED	5/16/08
		PAGE	1 OF 1



Contacts at SEGA

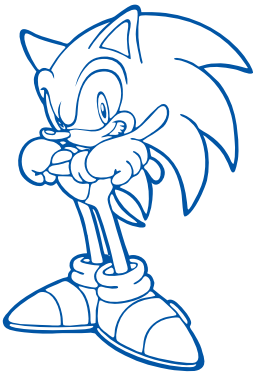


Machine Sales

Telephone: +44 (0) 208 391 8090

Fax: +44 (0) 208 391 8099

www.sega-amusements.co.uk



SEGA Spares

Telephone: +44 (0) 208 391 8060

Fax: +44 (0) 208 391 8096

www.segatotalsolutions.com

Customer Services

Telephone: +44 (0) 208 391 8065

Fax: +44 (0) 208 391 8096