

Come on down!

You're the Next Contestant on...



*** First Ever Licensed Pusher
Built & Priced in the **

*** Skill Slide Coin Entry**

*** 1 Year Warranty
on Pusher Motor &
Main Board**



**Ticket "Drawer" Makes
Loading Tickets & Other
Operator Adjustments Easy!**

Dimensions: 31" d x 41" w x 87" h
Weight: 500 lbs.



THE PRICE IS RIGHT is a trademark of FremantleMedia Operations BV. © 2008 FremantleMedia North America, Inc. All Rights Reserved.
Based on the FremantleMedia television program 'The Price is Right'. Licensed by FremantleMedia Enterprises www.fremantlemedia.com.

TABLE OF CONTENTS

| | |
|--|------------|
| Safety and Warnings | 3 |
| Setup | |
| Game Play Feature | 4 |
| Meters | 5 |
| Programming | 5 & 6 |
| Errors | 6 |
| Playfield | 7 |
| Trouble Shooting | |
| Security Slam Switches | 8 |
| Power supply | 9 |
| Assembly Diagrams | |
| Cabinet PE1000X | 10 - 11 |
| Big Bonus Wheel PE3110X | 12 - 14 |
| Skill Coin Chute PE1006X | 15 - 16 |
| Ticket Drawer PE3011X | 17 - 18 |
| Programming Console PE3011X | 19 |
| Coin Drawer PE1009X | 20 |
| Playfield Deck PE3130 | 21-23 |
| Deck PE3076 | 24 - 25 |
| Cabinet Layout PE1100X | 26 |
| Marquee PE3127X | 27 |
| Spares | 28 |
| Wiring Diagrams | See Insert |
| Main Logic Board Connector Layout | 50 |

SAFETY AND WARNINGS

BEFORE YOU BEGIN

WARNING: WHEN INSTALLING THIS GAME, A GROUNDED A.C. RECEPTACLE MUST BE USED. FAILURE TO DO SO COULD RESULT IN INJURY TO YOURSELF OR OTHERS. FAILURE TO USE A GROUNDED RECEPTACLE COULD ALSO CAUSE IMPROPER GAME OPERATION, OR DAMAGE TO THE ELECTRONICS. DO NOT DEFEAT OR REMOVE THE GROUNDING PRONG ON THE POWER CORD FOR THE SAME REASON AS GIVEN ABOVE. USING AN IMPROPERLY GROUNDED GAME COULD VOID YOUR WARRANTY. HAVE A QUALIFIED ELECTRICIAN CHECK YOUR A.C. RECEPTACLE TO BE SURE THE GROUND IS FUNCTIONING PROPERLY. DO NOT WASH YOUR GAME WITH A PRESSURE WASHER.

AVERTISSEMENT: lors de l'installation de ce jeu, la terre AC réceptacle doit être utilisé. Ne pas le faire pourrait entraîner un préjudice à vous ou à d'autres. Le non-recours à la terre réceptacle pourrait également causer une mauvaise opération de jeu, ou les dommages causés à l'électronique. NE PAS détériorer ou de retirer la broche de terre sur le cordon d'alimentation pour la même raison, comme indiqué ci-dessus. Indûment l'aide d'un jeu de la terre pourrait annuler votre garantie. Ont un électricien qualifié de vérifier votre réceptacle AC pour s'assurer que le sol fonctionne correctement. Ne lavez pas votre jeu avec une laveuse à pression.

INSTALLATION

The game comes ready to play with just a few simple things to keep in mind.

1. Plug the game into the A.C. outlet and turn on power to the game. The switch for the game is located on a power module on the outside rear of the game.

THIS GAME IS DESIGNED TO DISSIPATE STATIC ELECTRICITY THROUGH THE GROUNDING PLANE OF THE GAME. IF THE A.C. GROUND DOES NOT WORK, THE GAME COULD DISCHARGE STATIC ELECTRICITY THROUGH THE GAME CIRCUITRY, WHICH COULD CAUSE DAMAGE.

2. Make sure the game is level after installation. It is necessary to make sure the game is level for safety concerns.
3. Check that the A.C. voltage rating on the back of the game matches the A.C. voltage of your location.

THE POWER SUPPLY IS NOT VOLTAGE ADJUSTABLE. TO OPERATE THE GAME AT VOLTAGES OTHER THAN THOSE IT WAS DESIGNED FOR. PLEASE CONTACT OUR SERVICE DEPARTMENT FOR VOLTAGE CONVERSION INFORMATION.

WARNING

DO NOT remove any of the components on the main board (e.g. compact flash and eproms) while the game is powered on. This may cause permanent damage to the parts and the main board. Removing any main board component part while powered on will void the warranty.

Ne retirez pas l'un des composants sur la carte principale (par exemple Compact Flash et EPROMs), tandis que le jeu est sous tension. Cette mai causer des dommages permanents aux parties et la carte principale. Suppression de tout bord principal élément sous tension alors que annulera la garantie.

NOTE: THIS GAME IS INTENDED FOR INDOOR USE ONLY.

ON THE BACK PANEL OF THE GAME: WARNING: SHOCK HAZARD - DO NOT OPEN. REFER SERVICING TO SERVICE PERSONNEL.

REMARQUE: CE JEU EST DESTINÉ POUR USAGE À L'INTÉRIEUR SEULEMENT.

SUR LE PANNEAU ARRIÈRE DU JEU: AVERTISSEMENT: RISQUE DE CHOC - NE PAS OUVRIER. RÉPARATION À UN PERSONNEL DE SERVICE.

SETUP - INTRODUCTION

Game play:

The player starts the game by moving the coin chute to skillfully drop their coin to light up the word "PLINKO". As the coin falls it is deflected off the pegs just like on the TV show. If the player is able to light the word "PLINKO", they are able to spin the big bonus wheel! Players receive tickets for coins that fall over the edge and in some cases, just for playing!

- Bonus wheel emulates "The Price is Right Big Wheel Spin".
- Playfield replicates the real "PLINKO!" board as seen on TV.
- Spell PLINKO! by lighting each letter for a chance to win the Big Bonus.
- Move coin chute back and fourth for skillful aiming.
- Win tickets for coins over the edge.
- Win tickets just for playing (Operator configurable).

Features:

- Ability to set pre-lit letters.
- Ability to turn on chasing lights.
- Ability to set mercy tickets and coin over edge.
- Adjustable bonus feature (how much to apply toward the bonus).
- Easy slide pull out ticket door to access.
 - Ticket dispensers.
 - Coin and ticket meters.
 - Operator adjustments.
 - Error codes.
- High reliable playfield motor with 1 year warranty.
- Easy to program.
- Self error/fault checking.
- Slam security switch on each station.
- Tilt protection.
- Made in the USA.

SETUP - ASSEMBLY

METERS AND TICKET DISPENSER LOCATION

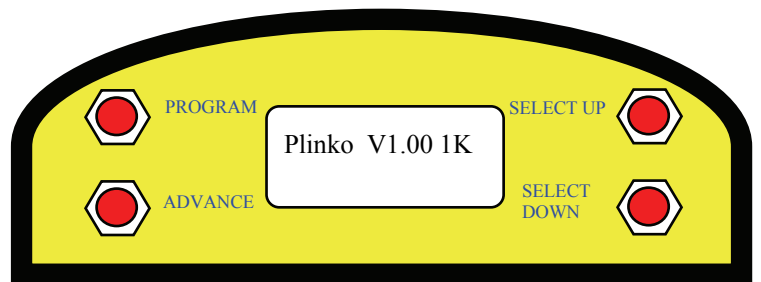
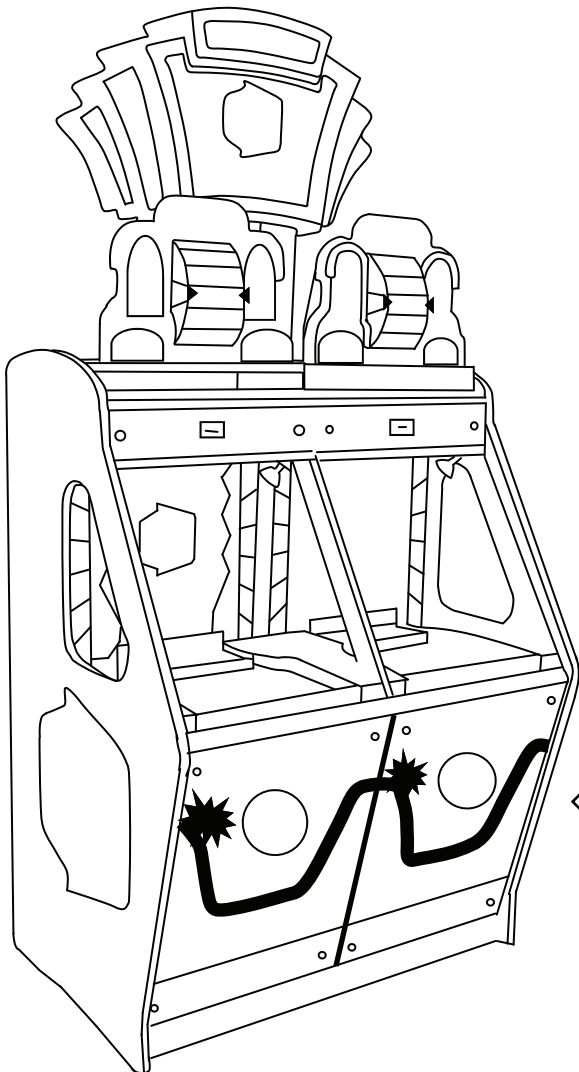
The coin and ticket meters are located in lower cabinet drawer of each station. Unlock both locks on each side and slide the drawers out. There you will find the ticket dispenser and meters.

ACCESSING PROGRAMMING CONSOLE

The programming console unit pictured below has four buttons and a digital display screen. This is located in the left ticket and hopper drawer assembly. Unlock the two locks to slide the left drawer open. The console is located on the right side of that drawer only. Refer to page 19 for location. If any errors are encountered on either side they will be displayed on the screen. Refer to error codes in programming to understand and correct the errors. If no errors have been detected, the current software version will be displayed on the screen.

PROGRAMMING

Press the "PROGRAM" button to enter programming mode. Press "SELECT UP" and "SELECT DOWN" to move the cursor to cycle through options. Press "ADVANCE" to change the settings the cursor is currently on. Press the "PROGRAM" button to exit programming and re-start the game.



Programming console unit

Both cabinet drawers slide open to access the coin hopper, ticket dispenser, coin and ticket meters but only the left side has the programming console unit which programs both stations.

PROGRAMMING YOUR PLINKO!

| OPTION | DESCRIPTION | DEFAULT | MIN | MAX |
|-----------------|--|---------|-----|-----|
| Volume1 | Game and attract Volumes | 5 | 0 | 7 |
| Volume2 | Music Volume only | 5 | 0 | 7 |
| Cylon | If set to 1 red LED must be lit to light letter | 0 | 0 | 1 |
| JFP (Mercy) | Tickets given when coin goes in or just for playing | 1 | 0 | 2 |
| Over Edge | How many Tickets over the Edge | 5 | 0 | 18 |
| Feature | How many tickets to the wheel kitty | 4 | 2 | 18 |
| Power On Lights | How many letters are lit when you turn power on | 0 | 0 | 3 |
| Attract Time | When it will say come on down. | 3 | 0 | 30 |
| Coin Dispense | How many coins to dispense per swipe (This option only in the card swipe version) | 1 | | |
| Factory reset | Reset factory settings | 0 | 0 | 1 |

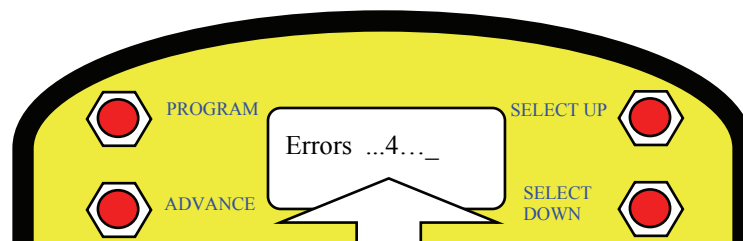
“**Wheel kitty**” refers to the bonus wheel’s two different bonuses. The mega bonus is the highest amount of tickets on the wheel and the bonus is all the remaining numbers. This option is divided by 2, one goes to the mega bonus and the other to remaining numbers.

For Example: Assuming your tickets are valued at a cent, setting option “JFP” to 1 (or 1 cent), setting option “Over Edge” to 5 (or 5 cents) and setting “feature” to 4 (or 4 cents) would equal total payout of 10 cents. Total 10 cents payout on 25 cent play would equal a 40 % payout.

Cylon option defined: The Cylon feature increases the difficulty to achieve the bonus wheel spin by limiting when the letters can be lit. When the LED moves back and fourth and a coin enters the chute for that letter, if the red LED is not correctly lit on that letter, the letter will not light.

ERROR CODES

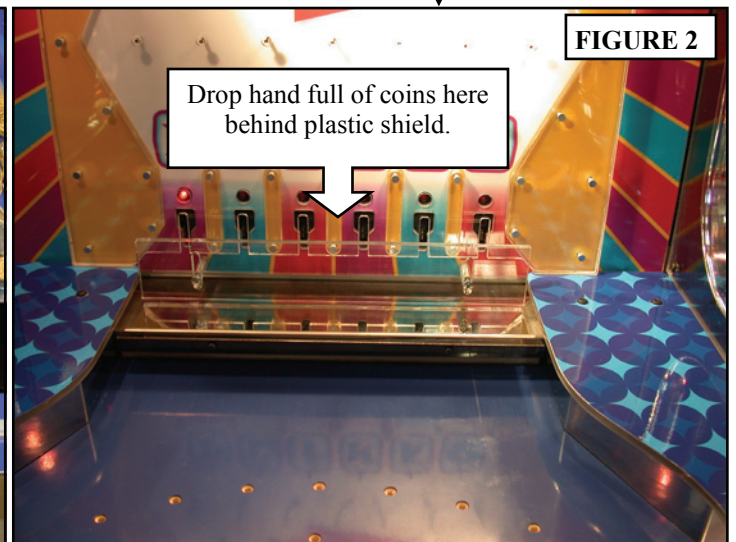
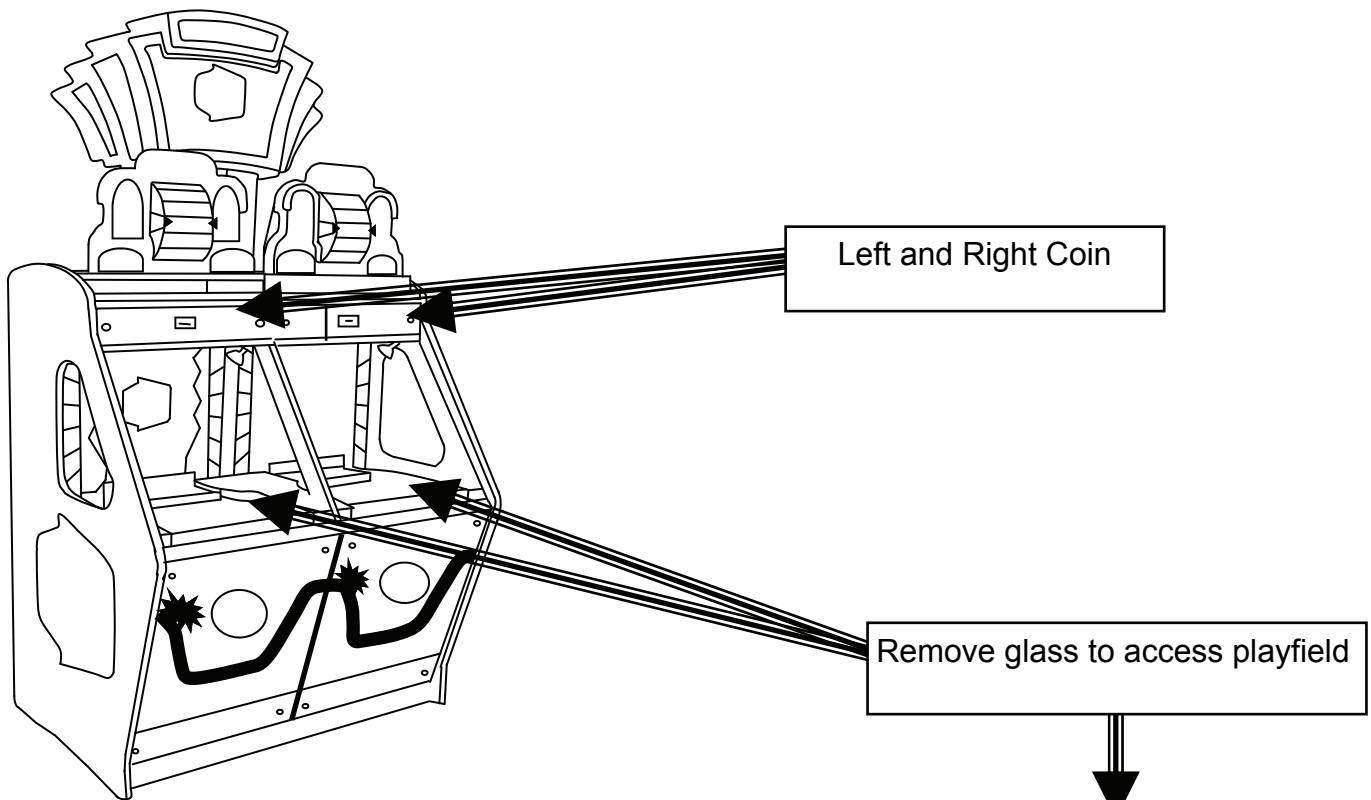
| Error | Description | | |
|-------|-------------------------|-------------------------------|-------------------|
| 6 | L Ticket Err | Ticket dispenser empty | Fill with tickets |
| 5 | R Ticket Err | Right ticket dispenser empty\ | Fill with tickets |
| 4 | Compact Flash Err | Cannot read compact flash | Replace CF |
| 3 | L Wheel Err | Cannot find home sensor | Check sensor |
| 2 | R Wheel Err | Cannot find home sensor | Check sensor |
| 1 | L Switch Board Comm Err | Cannot find cylon board | Check connection |
| 0 | R Switch Board Comm Err | Cannot find cylon board | Check connection |



Errors will be displayed whenever they are encountered. A dot is shown when no errors are detected. The dot is replaced by the error number encountered. Multiple errors can be shown at the same time on the display. A display of ...45.. means that there is no response from the flash card and the right station is out of tickets.

SETUP - PLAYFIELD

It is recommended that you load at least 500 tokens onto the playfield (without any dropping into the hopper) in each station once you have located the final placement of this game. Begin by unlocking both locks and removing the coin chute assembly, you must unplug the coin sensor harness to completely remove the assembly, and put this aside. Remove the front glass and place aside. Insert coins into the two rows of risers as shown in figure 1. Make sure the coins are tightly packed from end to end. With the game powered on, drop handfuls of coins above the Plinko switches but behind the plastic shield. See figure 2. This will allow the coins to naturally build up onto the playfield simulating many plays by players in a very short amount of time.

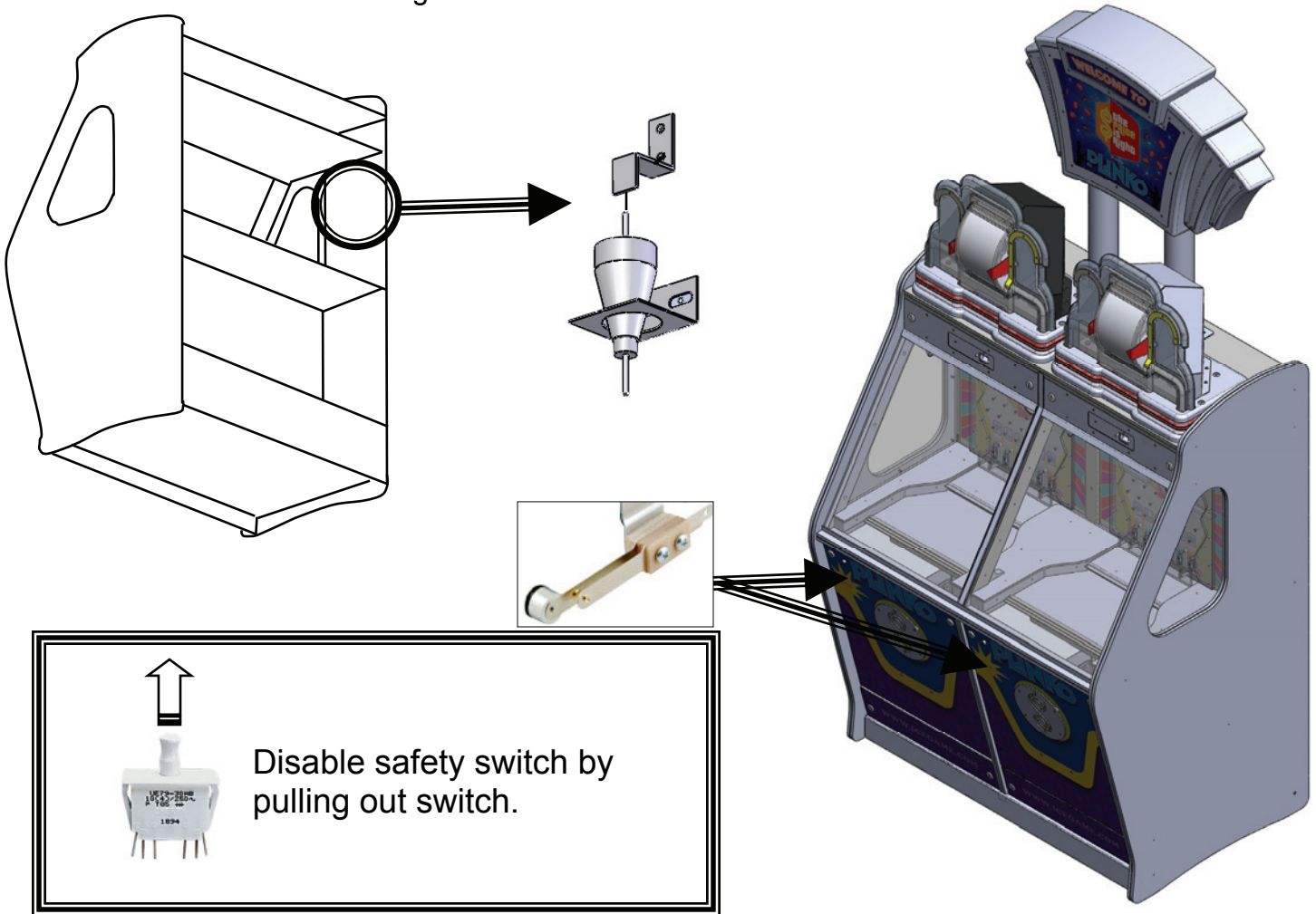


TROUBLESHOOTING

Security Tilt Bob & Slam Switches

This game employs two different security features to prevent players from collecting extra tickets. If the player slams the ticket drawer in an attempt to force coins to fall off the edge, the game will sound an alarm and end any current game in progress on that station. If the player rocks the entire cabinet a tilt Bob will trigger and it will immediately void any game in progress on both stations. The alarm will sound for a period of time in both occurrences.

The tilt Bob is accessed through the back of the game. The anti slam switches are located in the ticket access drawers. See diagrams below.



AC Service switch

This game using a AC cutoff switch located in the back. When servicing the game if you remove the back cabinet panels with the power on, the deck pusher will stop. This is normal. If service is required with AC applied, pull the AC switch out which will allow power to the deck pushers. There one for each cabinet side.

***** WARNING *** This ac cut off switch is for your safety as serious injury could result if disabled.**

***** ATTENTION *** Cette ac couper commutateur est pour votre sécurité aussi grave peut en résulter des blessures si handicapés.**

TROUBLESHOOTING

Troubleshooting

CAUTION

This game uses complex electronic components that are very sensitive to static electricity. Observe precautions below before handling these electronics. Failure to do so may void the warranty and damage electronic assemblies.

Before servicing electronics, turn off AC power to the game. Wait for capacitors to discharge.

DO NOT remove any of the components on the main board (e.g. compact flash and eproms) while the game is powered on. This may cause permanent damage to the parts and the main board.

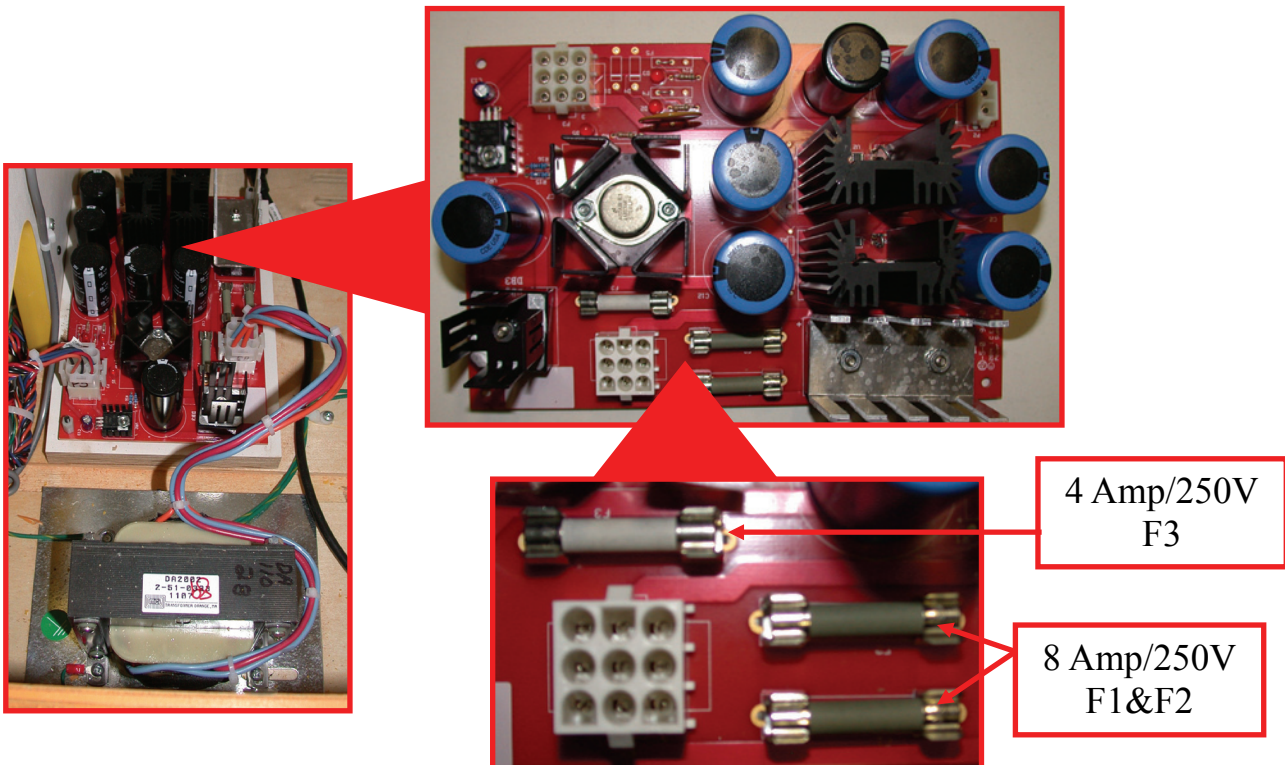
Before touching or handling electronic assemblies, discharge static electricity on your body. To discharge this static, begin by connecting the line cord to a grounded outlet. Don't turn on the game. Next, touch the safety ground stud of the power supply chassis.

Store electronic assemblies in an anti-static area. Use anti-static bags to store or transport the game circuit boards.

Don't remove or connect electronic assemblies when cabinet power is on. Otherwise, you'll damage electronic assemblies and void the game's warranty.

After you complete maintenance or service, replace ground wires, shields, safety covers and install and tighten ground and mounting screw.

Fuses - Main Power Supply



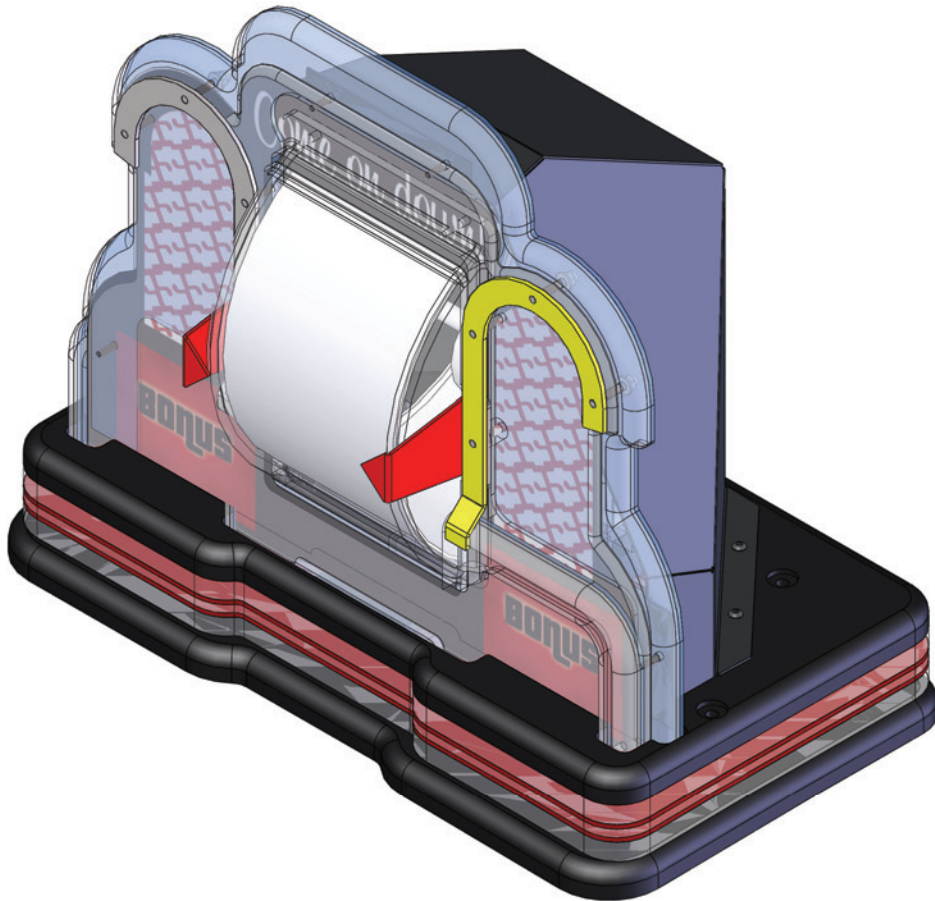
ASSEMBLIES AND DIAGRAMS - PE1000X

| ITEM NO. | PART NUMBER | DESCRIPTION | QTY. |
|----------|-------------|---|------|
| 33 | PE1194X | ORIENTAL MOTOR ASSEMBLY | 1 |
| 34 | PE1035X | COIN EDGE MTG BRACKET | 2 |
| 35 | PE3220X | SHARK OPTP ASSEMBLY | 1 |
| 36 | DA2001X | PCBA (POWER SUPPLY) | 1 |
| 37 | PE2034 | PCBA (MAIN I/O) | 1 |
| 38 | DA2002X | ASY TRANSFORMER 2-51-0333 | 2 |
| 39 | MA1019 | TRANSFORMER MTG PLATE | 2 |
| 40 | PC60628 | 6-32X1 3/4 PRHMS | 12 |
| 41 | PC60643 | 6-32 x 1/4 HH SPACER 14HTSP007 | 28 |
| 42 | MS2364X | FAN ASSEMBLY | 1 |
| 43 | E02027G | FAN FINGER GUARD | 2 |
| 44 | AM-M4-N | | 4 |
| 45 | 6031 | #8 FLAT WASHER (ZINC) | 12 |
| 46 | 6004 | CR-PHMS, #8-32 x 1/2" LG. | 14 |
| 47 | 6493 | 8-32 X 25/64 THREADED INSERT | 14 |
| 48 | 6109 | 6-32 x 1-1/4" LG. PPHMS | 2 |
| 49 | 6023 | 6-32 X 2.5" SRHMS | 4 |
| 50 | 6158 | #6 FLAT WASHER | 4 |
| 51 | 6002A | 6-32 NYLOCK NUT | 5 |
| 52 | PreviewCfg | #8 FLAT WASHER (ZINC) | 4 |
| 53 | 655 | #8 x 3/4 SQ. DRIVE (BLACK) | 30 |
| 54 | 6466 | 1/4-20 X 2 FHMS | 14 |
| 55 | 6212 | 1/4 x 3/4 FLAT WASHER BLACK | 4 |
| 56 | 6213 | 1/4-20 x 1-1/2" LG. BSHCS (BLACK, SEC.) | 4 |
| 57 | PE1050 | 14" DRAWER SLIDE | 4 |

| ITEM NO. | PART NUMBER | DESCRIPTION | QTY. |
|----------|-------------|---|------|
| 1 | PE3150CX | PUSHER CABINET | 1 |
| 2 | PE1018 | KICK PLATE TRIM | 1 |
| 3 | PE7107 | DECAL-DIVIDER-LEFT | 2 |
| 4 | PE7108 | DECAL-DIVIDER-CENTER | 1 |
| 5 | PE3057X | FRONT PANEL ASSEMBLY | 2 |
| 6 | SX2007X | ASY (POWER MODULE) | 1 |
| 7 | PE3076X | PUSHER ASSEMBLY | 1 |
| 8 | PE3068 | PLAYFIELD SIDE SPACER NARROW .750 | 2 |
| 9 | PE3072 | PLAYFIELD MIDDLE SPACER NARROW .750 | 1 |
| 10 | PE1020 | PLAYFIELD SIDE A | 2 |
| 11 | PE1009X | CASH BOX ASSEMBLY | 2 |
| 12 | PE1070 | ANGLED LOCK PLATE | 7 |
| 13 | PE1028 | GLASS TRIM LOWER | 1 |
| 14 | PE1021 | PLAYFIELD SIDE B | 2 |
| 15 | PE3028 | FRONT GLASS | 2 |
| 16 | PE3027 | SIDE GLASS | 2 |
| 17 | PE1060 | TOP WIPER CHANNEL | 1 |
| 18 | PE1061 | UPPER WIPER CHANNEL CLAMP | 4 |
| 19 | PE1013 | COIN FUNNEL | 2 |
| 20 | #8 | SQ. DRIVE WOOD SCREW | 1 |
| 21 | PE1071 | ARCHED LOCK PLATE | 4 |
| 22 | 655S | #8 x 5/8 SQ. DRIVE (SILVER) | 84 |
| 23 | PE1006X | COIN CHUTE ASSEMBLY | 2 |
| 24 | PE1026X | HALOGEN BRACKET | 4 |
| 25 | CR100110 | BULB HALOGEN (12V/20W 36/38 DEG) (VC0157) | 4 |
| 26 | WS2039PEX | Shark Opto - PE VERSION | 1 |
| 27 | PE1016 | DOOR BRACKET | 2 |
| 28 | PE3209 | UPPER WIPER | 2 |
| 29 | CP1051 | TILT SENSOR | 1 |
| 30 | WC1041 | BRACKET (DOOR SWITCH/POD LATCH) | 1 |
| 31 | 2970 | SWITCH (PUSH/PULL) CHERY E6930AO | 1 |
| 32 | PE3052X | REAR DOOR ASSEMBLY | 1 |

ASSEMBLIES AND DIAGRAMS - PE3110X

13

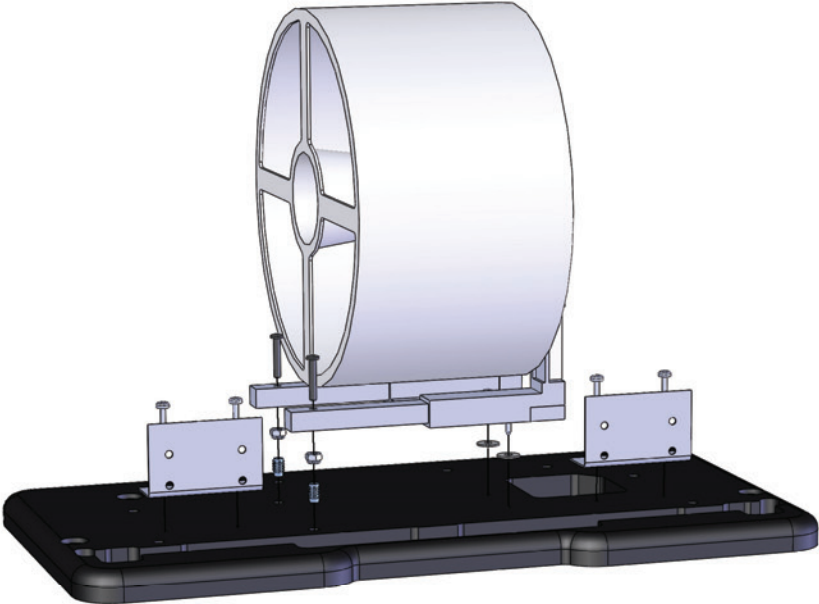
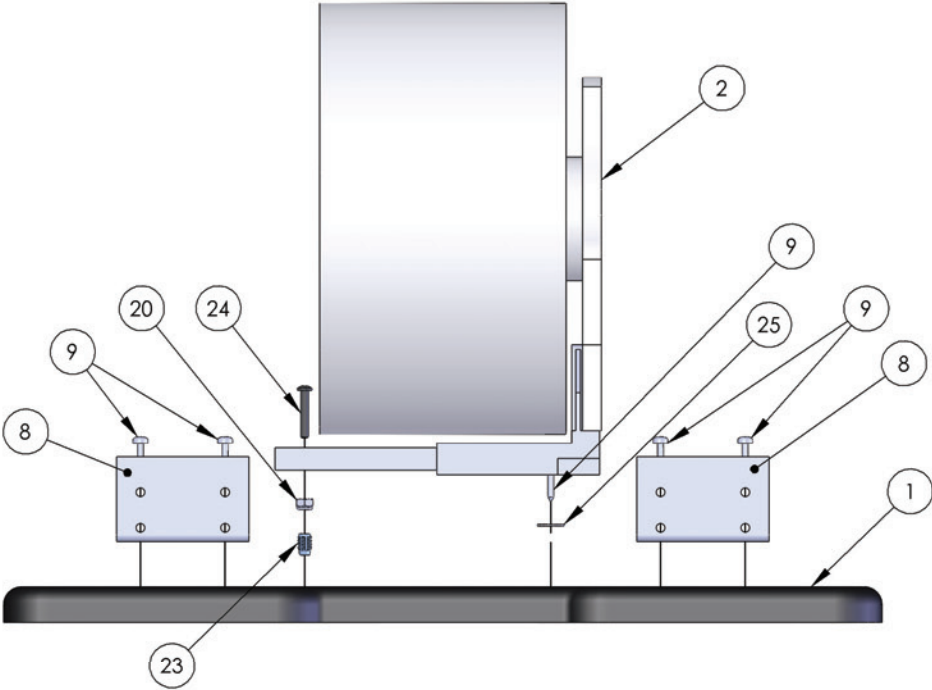


| ITEM NO. | PART NUMBER | DESCRIPTION | QTY. |
|----------|-------------|--|------|
| 1 | PE3110 | PRIZE WHEEL BASE | 1 |
| 2 | PE2008X | WHEEL MECH | 1 |
| 3 | PE3112 | BONUS FRAME | 1 |
| 4 | PE1110 | PRIZE WHEEL HOUSING | 1 |
| 5 | PE3120 | WHEEL GLASS | 1 |
| 6 | PE1140 | FRONT TRIM L | 1 |
| 7 | PE1141 | FRONT TRIM R | 1 |
| 8 | PE1111 | BONUS LED BRACKET | 2 |
| 9 | 655 | #8 x 3/4 SQ. DRIVE (BLACK) | 6 |
| 10 | 6061 | #8-32 CABINET INSERT | 4 |
| 11 | PE3113 | PRIZE WHEEL FRONT TRIM | 1 |
| 12 | PE3115 | PRIZE WHEEL FRONT | 1 |
| 13 | PE3123 | PRIZE WHEEL LOWER BASE | 1 |
| 14 | PE3124 | PRIZE WHEEL BASE LIGHT | 2 |
| 15 | PE3125 | PRIZE WHEEL BASE COLOR | 2 |
| 16 | PE3126 | PRIZE WHEEL BASE CLEAR | 1 |
| 17 | PE1118 | POINTER | 2 |
| 18 | PE3119 | PRIZE WHEEL FRONT MIRROR | 1 |
| 19 | PE3135 | BONUS FRAME MIRROR | 1 |
| 20 | 6072 | 8-32 NYLOCK NUT | 4 |
| 21 | 6687 | #6-19 X 1/2" LG. PHILIPS PAN HEAD PLASTITE SCREW | 4 |
| 22 | 6279 | 8-32 ACORN NUT (ZINC) | 4 |
| 23 | 6489 | 8-32 INSERT (FLUSH) 90267A563 | 2 |
| 24 | 6177 | #8-32 x 1" LG PPHMS | 2 |
| 25 | 6131 | #10 SAE FLAT WASHER | 2 |
| 26 | 6690 | #6-19 X 5/8" LG. PHILIPS PAN HEAD PLASTITE SCREW | 4 |
| 27 | 6088 | 1/4-20 x 3 HH BOLT (F-T) | 4 |
| 28 | PC60614 | 025-20 KEP NUT | 4 |
| 29 | 6250 | BHCS #8-32 x 75" LG. (BLACK) | 4 |
| 30 | 6004a | 8-32 KEP NUT | 4 |
| 31 | 6031 | #8 FLAT WASHER (ZINC) | 4 |
| 32 | PE7113 | DECAL-WHEEL SURROUND | 1 |
| 33 | PE1088 | LED BRACKET - "COME ON DOWN!" | 1 |
| 34 | E00442PEX | 15 LED RIGID | 1 |

ASSEMBLIES AND DIAGRAMS - PE3110X

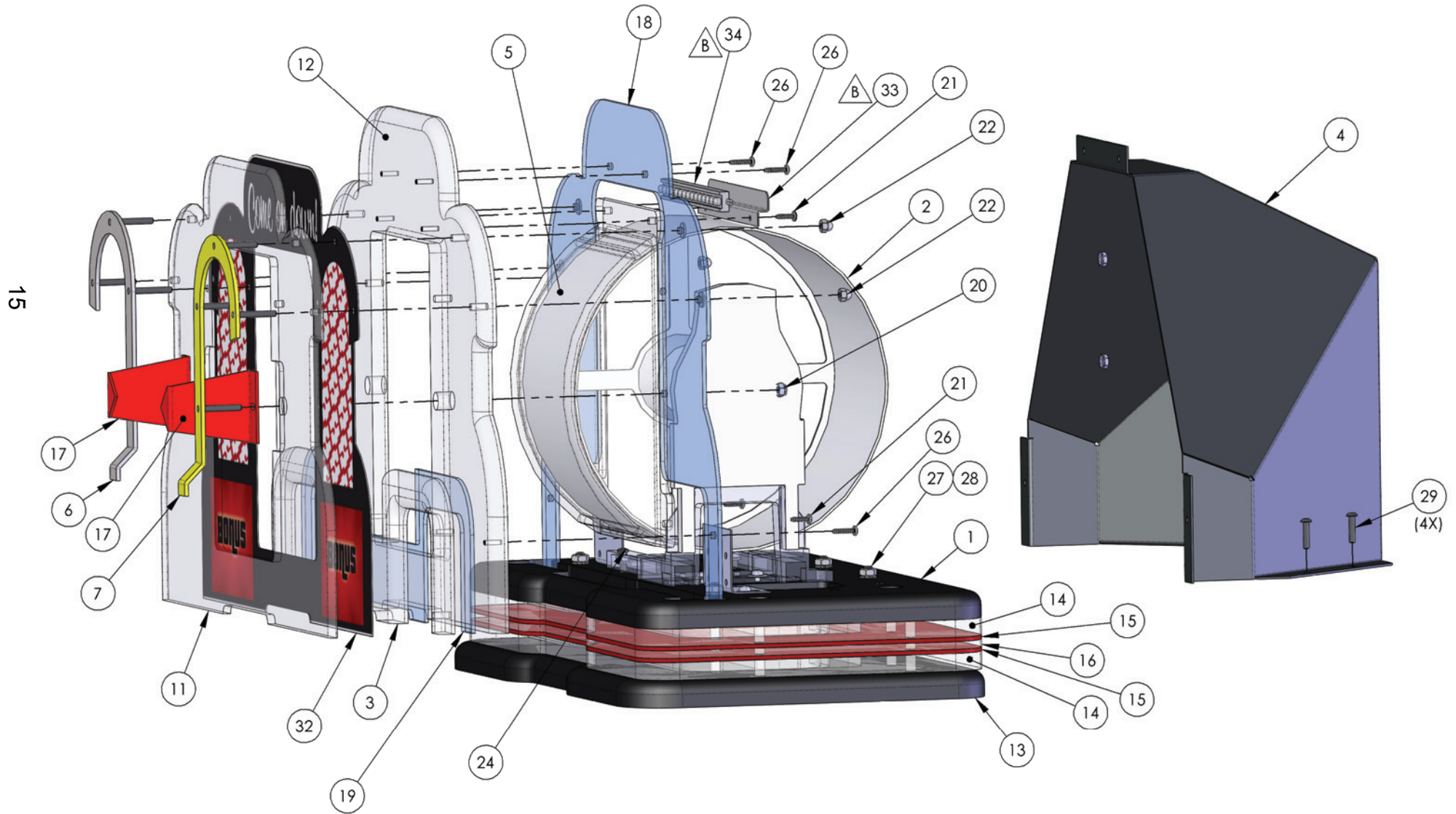
NOTE: Adjust screw 24 to level wheel mech.

14



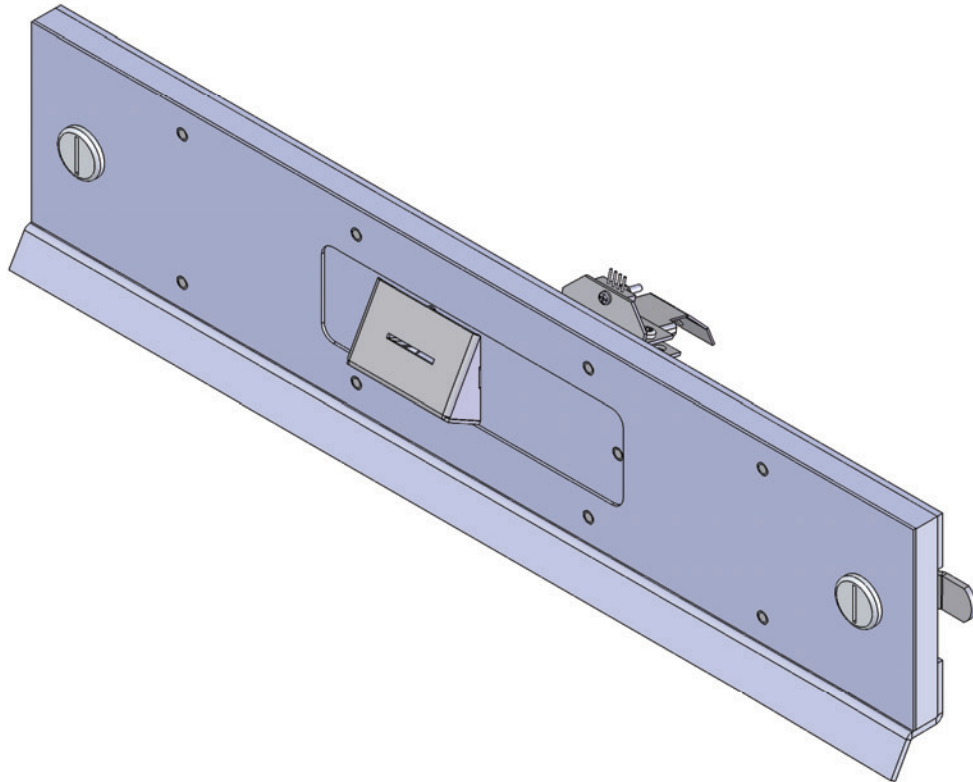
NOTE: THIS DRAWING SHOWS THE COMPONENTS USED TO CREATE THE LEVELING MECHANISM FOR THE WHEEL ASSEMBLY.

ASSEMBLIES AND DIAGRAMS - PE3110X



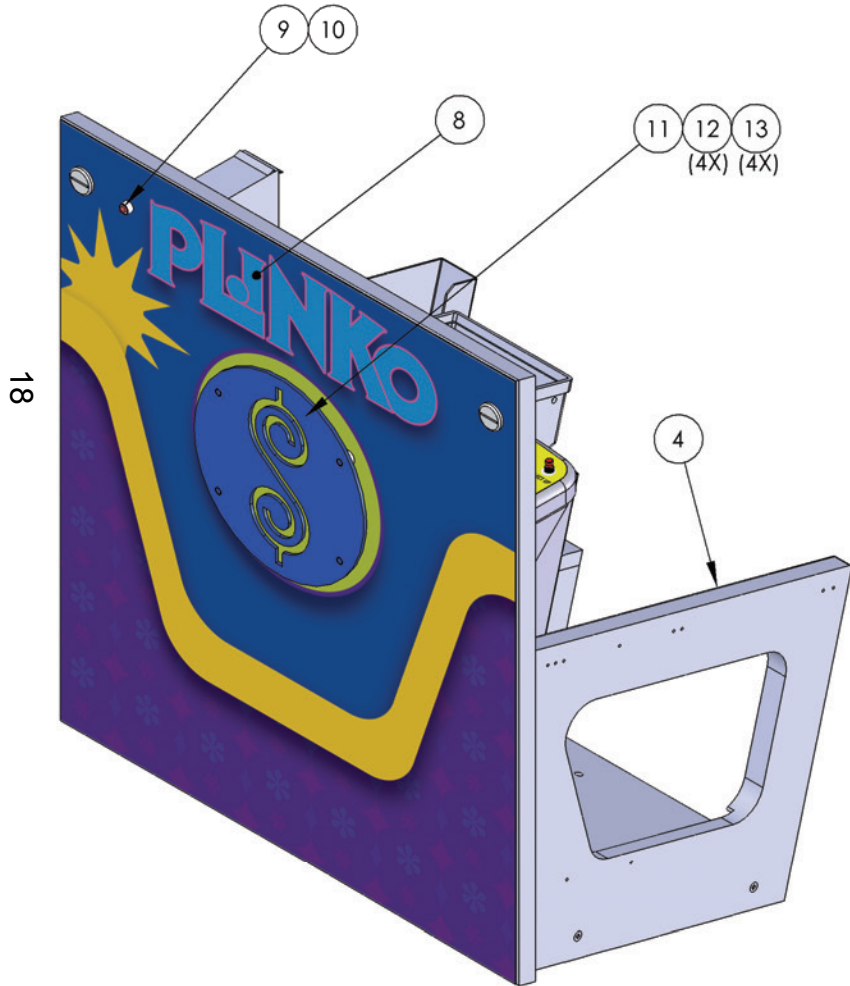
1006X Coin Chute Assembly

16



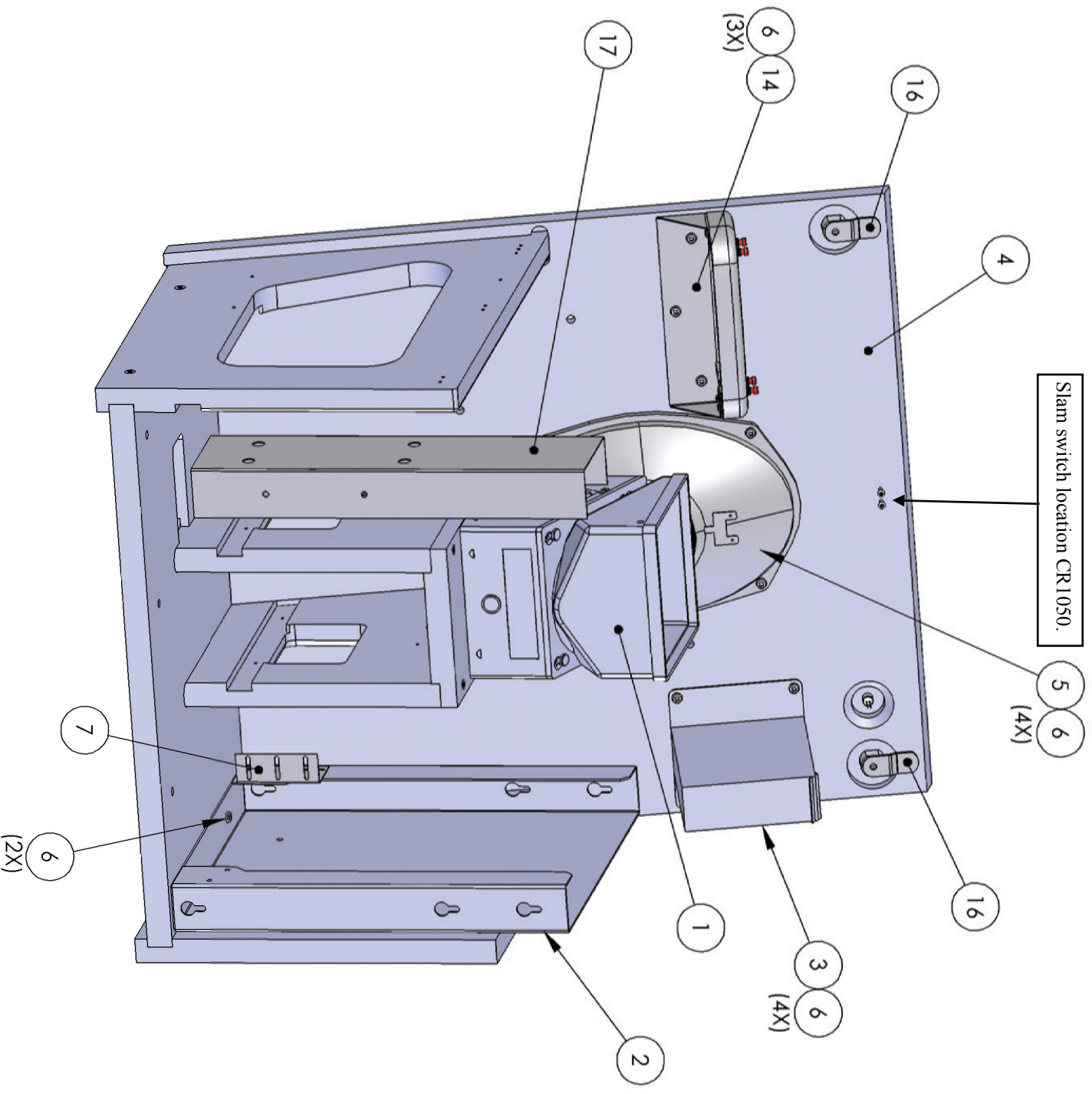
| ITEM NO. | PART NUMBER | DESCRIPTION | QTY. |
|----------|------------------------------|-------------------------------|------|
| 1 | PE3078 | COIN CHUTE BACK | 1 |
| 2 | PE1010 | COIN CHUTE SLIDE PLATE | 1 |
| 3 | PE1006 | COIN CHUTE FRONT PANEL | 1 |
| 4 | PE3006 | COIN CHUTE SHUTTLE | 1 |
| 5 | PE1011 | COIN CHUTE GUIDE RAIL | 1 |
| 6 | PE1012 | REJECT COIN TRAY | 1 |
| 7 | 6004a | 8-32 KEP NUT | 3 |
| 8 | 6691 | M4 x 10 PPHMS | 2 |
| 9 | 4002 | BUMPER (#2953w) 9540K53 | 2 |
| 10 | 655 | #8 x 3/4 SQ. DRIVE (BLACK) | 2 |
| 11 | 6073 | 6-32 X 3/4 PPHMS | 3 |
| 12 | 6060 | 4-40 X 3/4 PHMS | 1 |
| 13 | PE1029 | COIN CHUTE GLASS TRIM | 1 |
| 14 | 6072 | 8-32 NYLOCK NUT | 8 |
| 15 | 6086 | HJNUT 8-32 | 1 |
| 16 | E00436PEX | ASY (COIN IN SENSOR) | 1 |
| 17 | PE1081 | COIN SENSOR BRACKET CLAMP | 1 |
| 18 | Coin Chute (see sales order) | COIN CHUTE | 1 |
| 19 | 5014 | 7/8" CAMLOCK | 2 |
| 20 | PE1080 | COIN CHUTE SENSOR BRACKET | 1 |
| 21 | 6489 | 8-32 INSERT (FLUSH) 90267A563 | 1 |

ASSEMBLIES AND DIAGRAMS - PE3057X



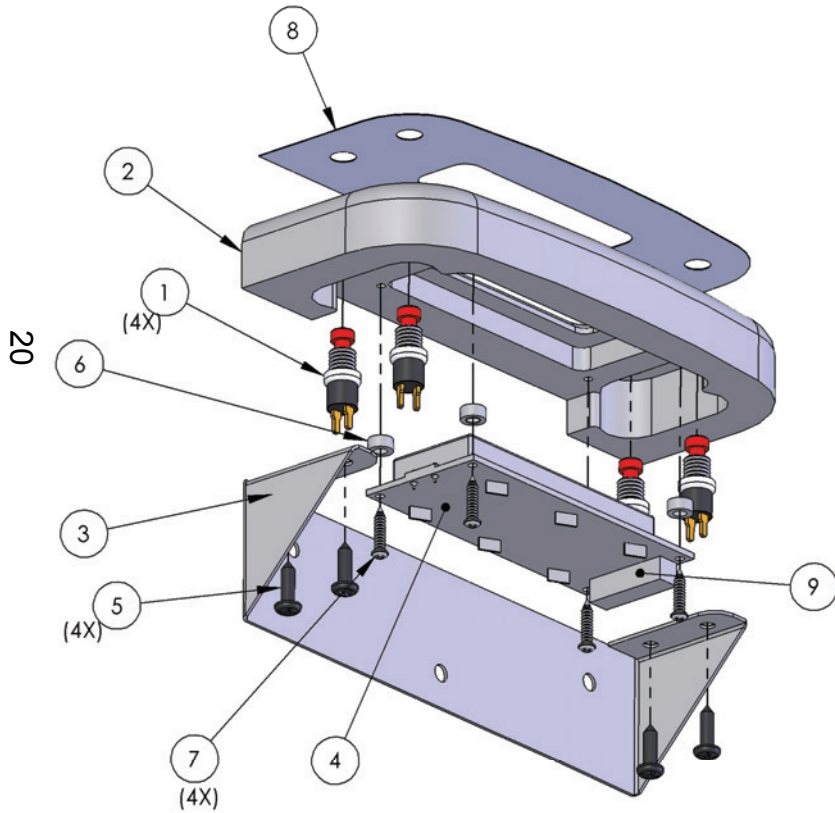
| ITEM NO. | PART NUMBER | DESCRIPTION | QTY. |
|----------|-------------|---------------------------------|------|
| 1 | CR070113 | HOPPER CUBE MKII .870-.937 | 1 |
| 2 | 1024 | TICKET BIN (DOUBLE) | 1 |
| 3 | HH5005D | TICKET DISPENSER (DELTRONICS) | 1 |
| 4 | PE3057CX | CABINET ASSEMBLY-FRONT DOOR | 1 |
| 5 | AR2007 | 6 X 9 SPEAKER | 1 |
| 6 | 655S | #8 x 5/8 SQ. DRIVE (SILVER) | 18 |
| 7 | 1026 | BRACKET LOW TICKET SWITCH MOUNT | 1 |
| 8 | PE7157 | DECAL - FRONT DOOR | 1 |
| 9 | E01017 | 8212 LED HOLDER | 1 |
| 10 | E08212 | (ROHS) LED RED FLASHING | 1 |
| 11 | PE1150 | PLINKO SPEAKER COVER | 1 |
| 12 | 6305 | SPACER, NYLON 1/2x.260x1/4L | 4 |
| 13 | 6040 | 10-24 KEP NUT | 4 |
| 14 | PE3011X | PROGRAMMING PANEL | 1 |
| 15 | 6189 | #4 x 1" LG. PH PAN TY AB SCREW | 2 |
| 16 | 5014 | 7/8" CAMLOCK | 2 |
| 17 | PE1056 | COIN OVERFLOW | 1 |

ASSEMBLIES AND DIAGRAMS - PE3057X

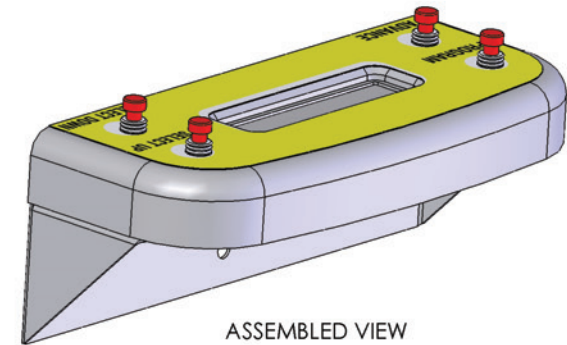


ASSEMBLIES AND DIAGRAMS - PE3011X

| ITEM NO. | PART NUMBER | DESCRIPTION | QTY. |
|----------|-------------|--------------------------------|------|
| 1 | 2289X | ASY (RESET BUTTON) | 4 |
| 2 | PE3011 | PROGRAMMING PANEL FACE | 1 |
| 3 | PE1096 | PROGRAMMING PANEL BRACKET | 1 |
| 4 | E00433 | LCD Module 16 x 2 | 1 |
| 5 | 6071 | #6 x 1/2" LG. SELF-TAP (BLACK) | 4 |
| 6 | 6294 | Nylon Spacer | 4 |
| 7 | 6199 | #2 X 1/2" LG. PPHMS | 4 |
| 8 | PE7158 | DECAL - PROGRAMMING ASSY | 1 |
| 9 | E00435 | HEADER .100 DUAL ROW 16-PIN ST | 1 |



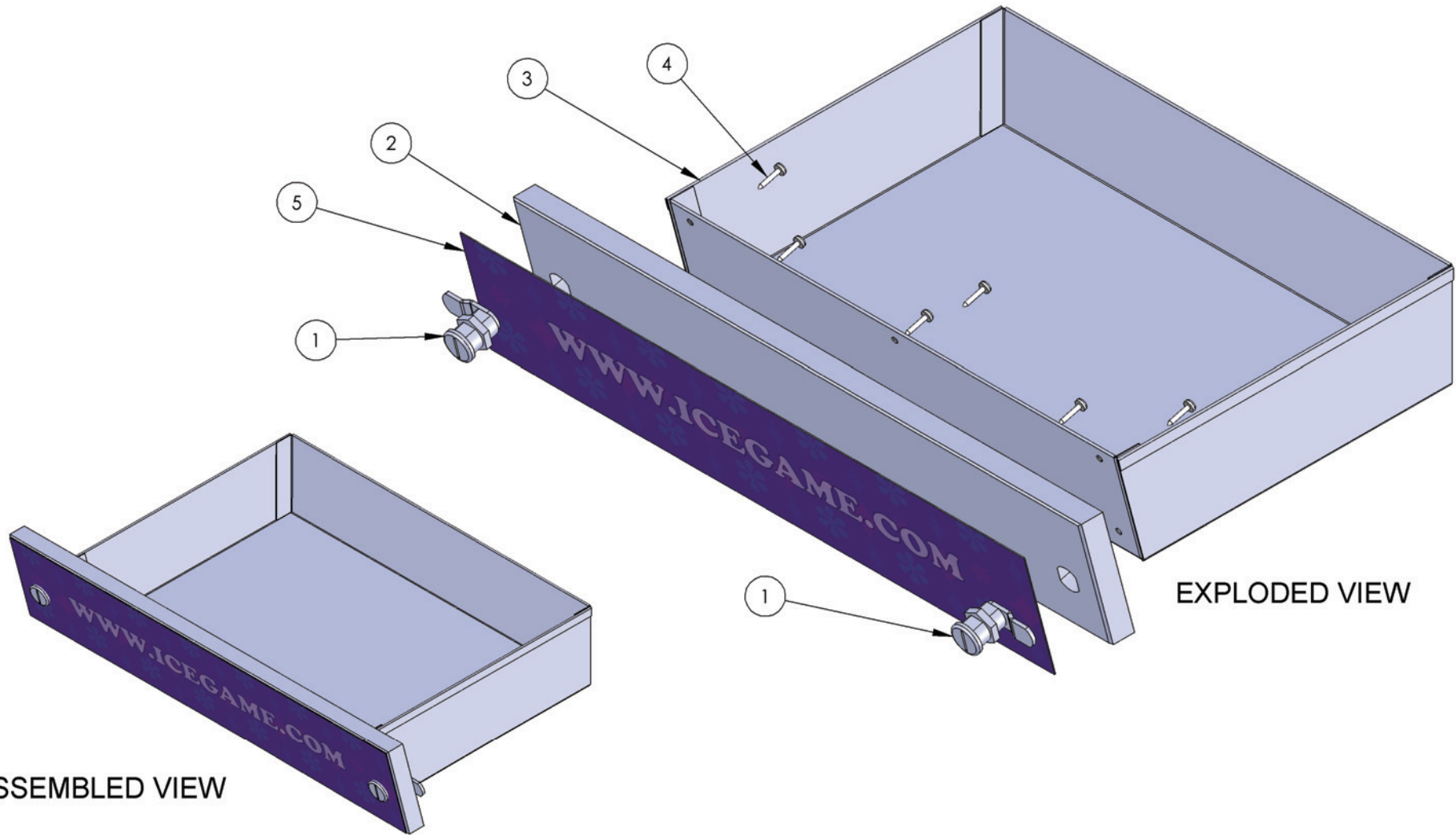
EXPLODED VIEW



ASSEMBLED VIEW

1009X Coin Drawer Assembly

| ITEM NO. | PART NUMBER | DESCRIPTION | QTY. |
|----------|-------------|----------------------------|------|
| 1 | 5014 | LOCK (710-010-01B) | 2 |
| 2 | PE3056 | CASH BOX FRONT | 1 |
| 3 | PE1009 | CASH BOX | 1 |
| 4 | 655 | #8 x 3/4 SQ. DRIVE (BLACK) | 7 |
| 5 | PE7156 | CASH BOX GRAPHIC | 1 |



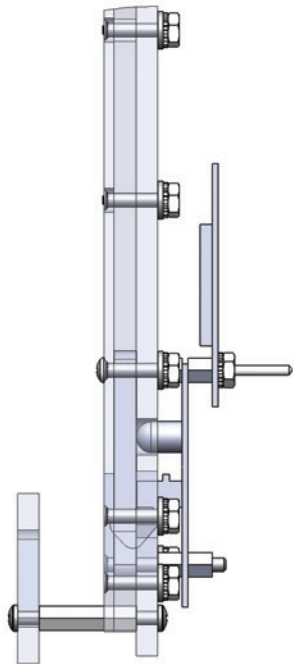
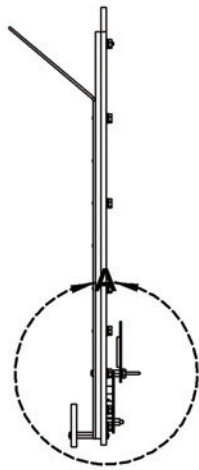
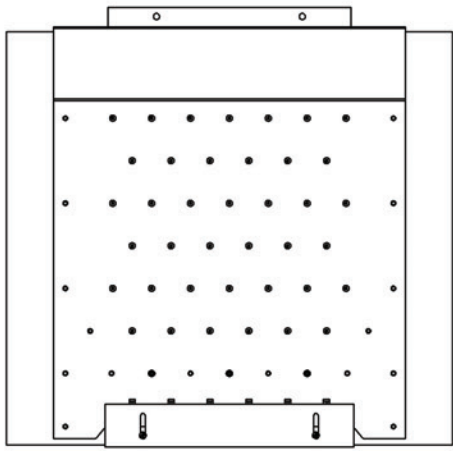
ASSEMBLED VIEW

EXPLODED VIEW

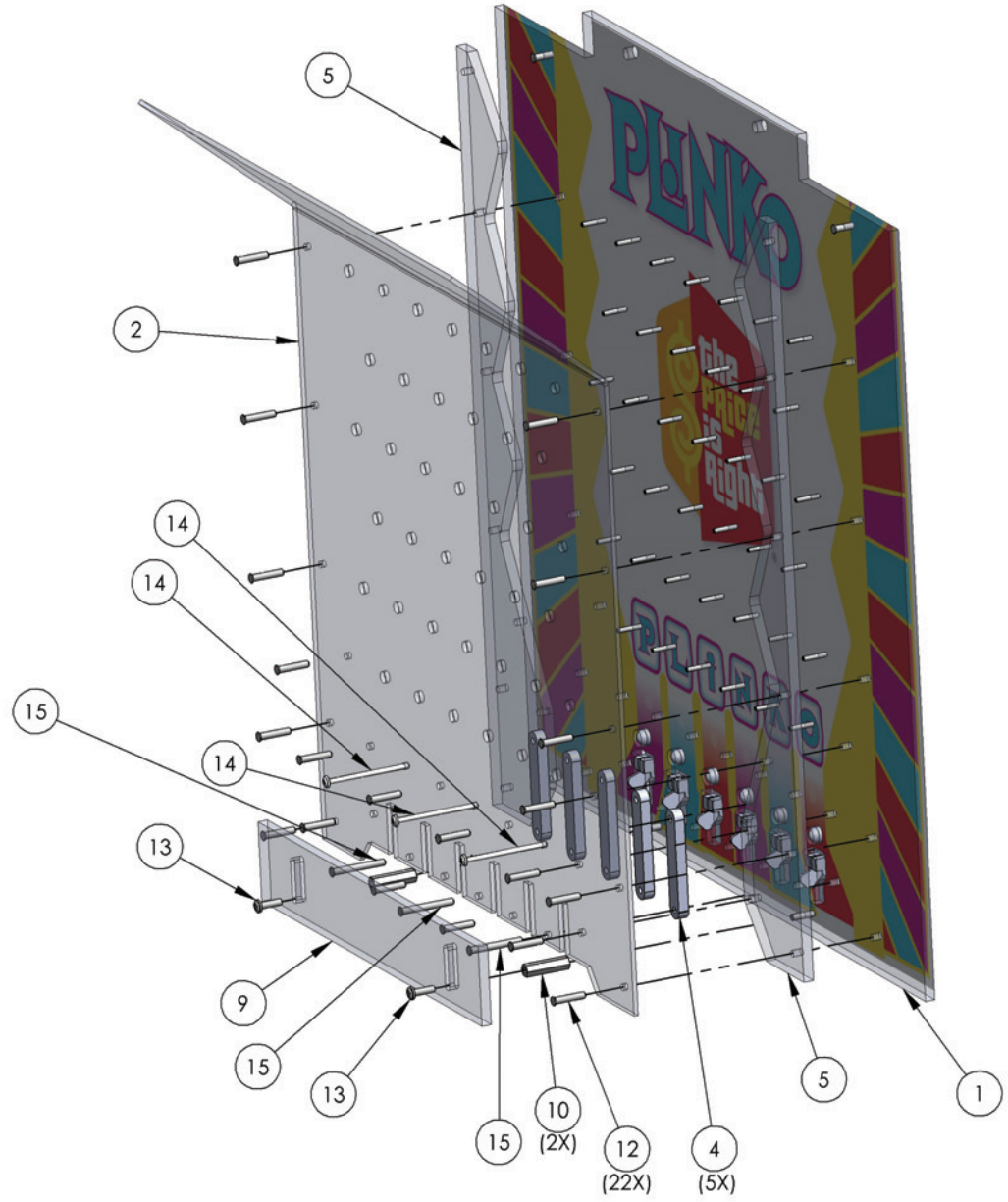
3130X Back Playfield Assembly



| ITEM NO. | PART NUMBER | DESCRIPTION | QTY. |
|----------|-------------|--|------|
| 1 | PE7130 | DECAL-PLAYFIELD | 1 |
| 2 | PE7131 | PLINKO SHIELD | 1 |
| 3 | PE2035X | PCBA (OPTO SWITCH) | 1 |
| 4 | PE3133 | PLINKO DIVIDER | 5 |
| 5 | PE3132 | PLINKO SIDE | 2 |
| 6 | 6686 | 3/32 X 9/16 | 40 |
| 7 | PE2036X | PCBA (LED DISPLAY) | 1 |
| 8 | PC60643 | 6-32 x 1/4 HH SPACER | 12 |
| 9 | PE3136 | COIN LEVELER | 1 |
| 10 | 6127 | 6-32 x 1 HH METAL SPACER | 2 |
| 11 | SK624 | 6-32 KEP NUT | 25 |
| 12 | 656 | 6-32 x 3/4 PEM STUD (ROHS) (FH-632-12ZI) | 22 |
| 13 | 6002 | 6-32 x 1/2" LG. PPHMS | 4 |
| 14 | 6146 | 6-32X2 PRHMS | 3 |
| 15 | 6203 | FH-632-20 | 3 |
| 16 | 6158 | #6 FLAT WASHER | 22 |

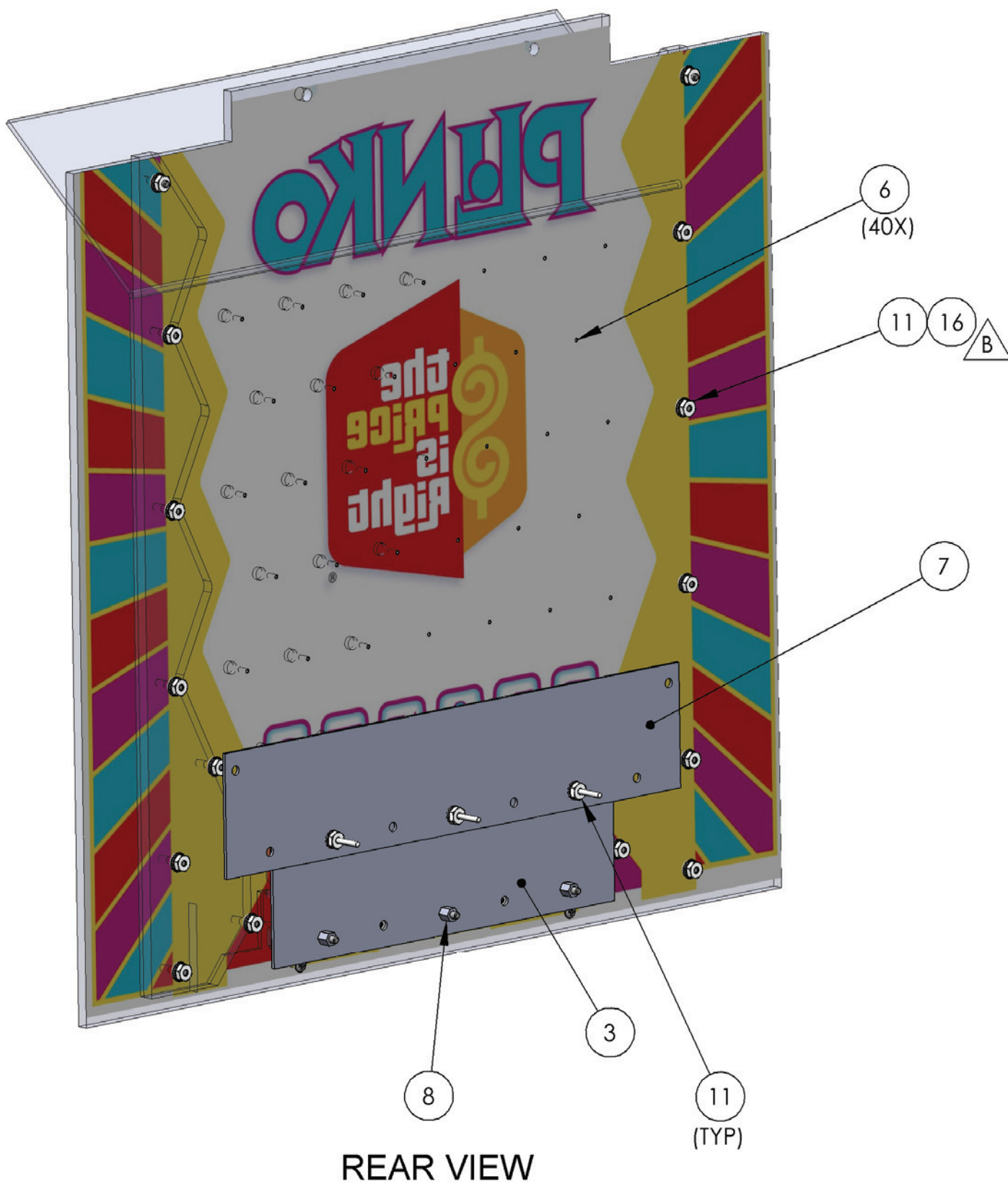


DETAIL A
SCALE 1 : 2

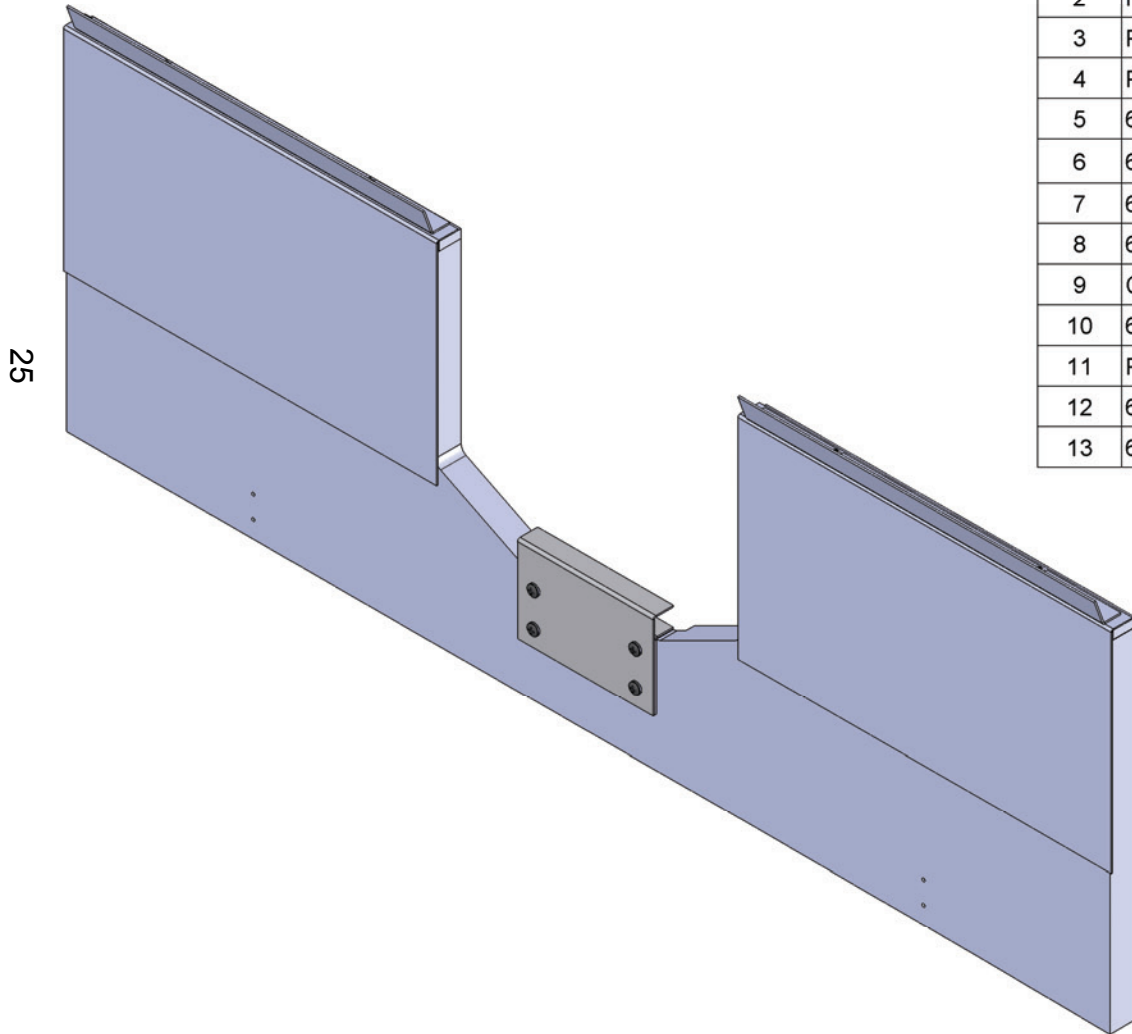


3130X Back Playfield Assembly

3130X Back Playfield Assembly

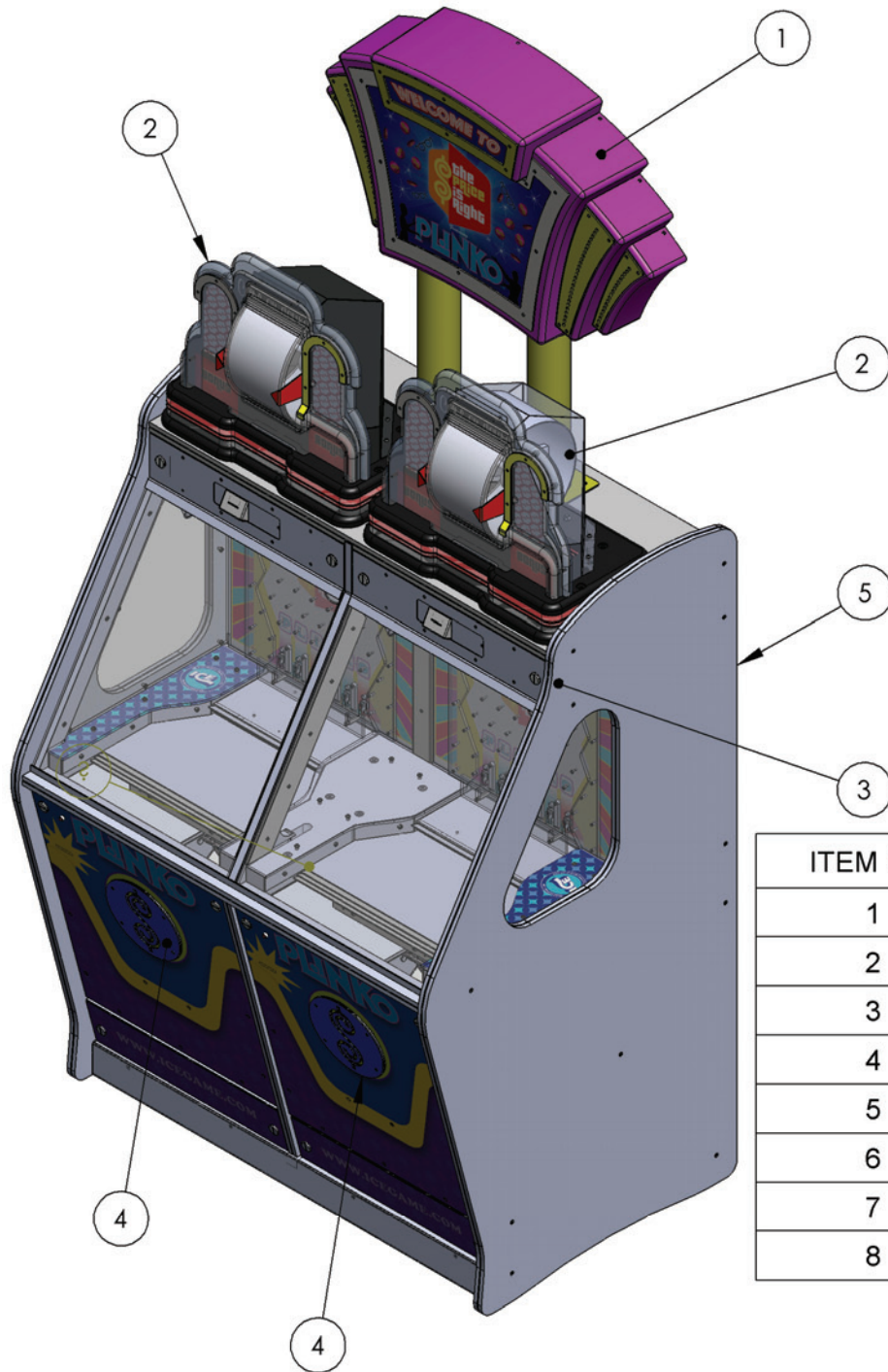


3076X Assembly



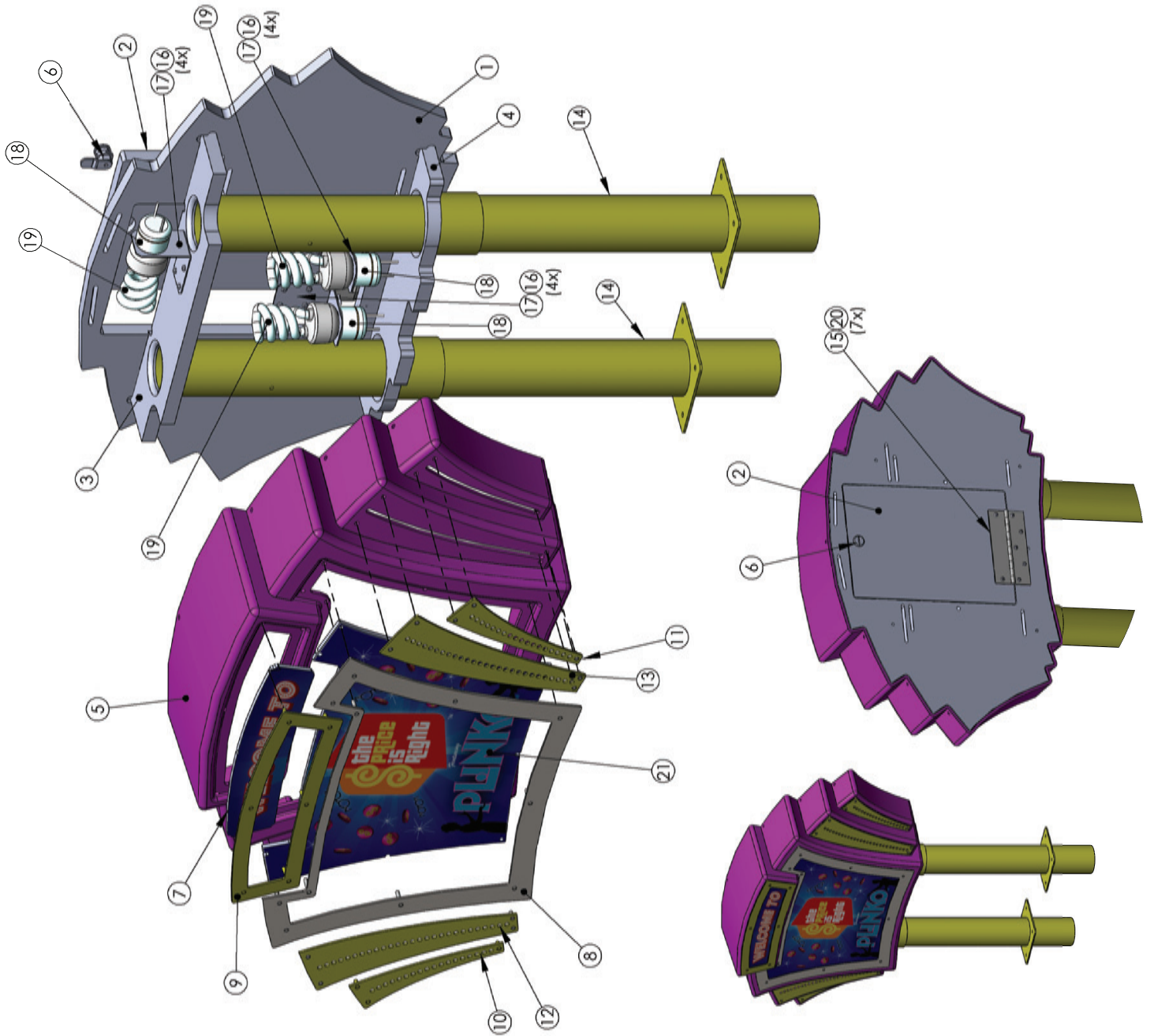
| ITEM NO. | PART NUMBER | DESCRIPTION | QTY. |
|----------|-------------|--|------|
| 1 | PE3076 | PUSHER BASE | 1 |
| 2 | PE3008 | LOWER WIPER | 2 |
| 3 | PE1042 | PUSHER EDGE | 2 |
| 4 | PE1041 | PUSHER DECK | 2 |
| 5 | 6189 | #4 x 1" LG. PH PAN TY AB SCREW | 4 |
| 6 | 6442 | 1/4 OD x 5/16 #6 NYLON UNTHREAD ROUND SPACER | 4 |
| 7 | 6031 | #8 FLAT WASHER (ZINC) | 8 |
| 8 | 6002A | 6-32 NYLOCK NUT | 8 |
| 9 | CR060008S | SLIDE PUSHER DECK (SL3178) SILVER | 2 |
| 10 | 6071 | #6 x 1/2" LG. SELF-TAP (BLACK) | 8 |
| 11 | PE1019 | PUSHER DECK CAM CHANNEL | 1 |
| 12 | 6061 | #8-32 CABINET INSERT | 4 |
| 13 | 6004 | CR-PHMS, #8-32 x 1/2" LG. | 4 |

1100X Assembly



| ITEM NO. | PART NUMBER | DESCRIPTION | QTY. |
|----------|-------------|----------------------|------|
| 1 | PE3127X | MARQUEE ASSEMBLY | 1 |
| 2 | PE3110X | PRIZE WHEEL ASSEMBLY | 2 |
| 3 | PE3130X | PLINKO ASSEMBLY | 2 |
| 4 | PE1150 | PLINKO SPEAKER COVER | 2 |
| 5 | PE1000X | PUSHER CAB ASSEMBLY | 1 |
| 6 | PE3067 | FRONT GLASS SUPPORT | 2 |
| 7 | PE1160 | CENTER COVER | 1 |
| 8 | PE3109 | CENTER DIVIDER CLIP | 2 |

| ITEM NO. | PART NUMBER | DESCRIPTION | QTY. | | | | | | | | | | | | | | | | | | | | | | | | | | | | | | | | |
|----------|-------------|---------------------------------|--|----|--------|--------------------------|---|----|--------|------------------|---|----|------|-----------------------------|----|----|--------|---------------|---|----|---------|----------------------|---|----|--------|---------------------------------|---|----|-----|----------------------------|---|----|--------|------------------------------|---|
| 1 | PE3160 | MARQUEE BACK | 1 | | | | | | | | | | | | | | | | | | | | | | | | | | | | | | | | |
| 2 | PE3161 | MARQUEE DOOR | 1 | | | | | | | | | | | | | | | | | | | | | | | | | | | | | | | | |
| 3 | PE3162 | MARQUEE UPPER RIB | 1 | | | | | | | | | | | | | | | | | | | | | | | | | | | | | | | | |
| 4 | PE3163 | MARQUEE LOWER RIB | 1 | | | | | | | | | | | | | | | | | | | | | | | | | | | | | | | | |
| 5 | PE3127 | MARQUEE VAC FORM | 1 | | | | | | | | | | | | | | | | | | | | | | | | | | | | | | | | |
| 6 | 5014 | LOCK (710-010-01B) | 1 | | | | | | | | | | | | | | | | | | | | | | | | | | | | | | | | |
| 7 | PE7129 | MARQUEE 2 PLAYER 'UPPER' | 1 | | | | | | | | | | | | | | | | | | | | | | | | | | | | | | | | |
| 8 | PE1131 | MAIN TRIM | 1 | | | | | | | | | | | | | | | | | | | | | | | | | | | | | | | | |
| 9 | PE1130 | UPPER TRIM | 1 | | | | | | | | | | | | | | | | | | | | | | | | | | | | | | | | |
| 10 | PE1132 | SMALL SIDE TRIM L | 1 | | | | | | | | | | | | | | | | | | | | | | | | | | | | | | | | |
| 11 | PE1133 | SMALL SIDE TRIM R | 1 | | | | | | | | | | | | | | | | | | | | | | | | | | | | | | | | |
| 12 | PE1134 | SIDE TRIM L | 1 | | | | | | | | | | | | | | | | | | | | | | | | | | | | | | | | |
| 13 | PE1135 | SIDE TRIM R | 1 </tr <tr> <td>14</td> <td>PE1128</td> <td>MARQUEE SUPPORT WELDMENT</td> <td>2</td> </tr> <tr> <td>15</td> <td>CP1038</td> <td>TILT PANEL HINGE</td> <td>1</td> </tr> <tr> <td>16</td> <td>655S</td> <td>#8 x 5/8 SQ. DRIVE (SILVER)</td> <td>12</td> </tr> <tr> <td>17</td> <td>TG1021</td> <td>LIGHT BRACKET</td> <td>3</td> </tr> <tr> <td>18</td> <td>SH2130X</td> <td>ASY (2D BULB SOCKET)</td> <td>3</td> </tr> <tr> <td>19</td> <td>E00382</td> <td>BULB CF 27W (PHILIPS #EL/MDT27W</td> <td>3</td> </tr> <tr> <td>20</td> <td>655</td> <td>#8 x 3/4 SQ. DRIVE (BLACK)</td> <td>7</td> </tr> <tr> <td>21</td> <td>PE7128</td> <td>MARQUEE 2 PLAYER 'MAIN' LOGO</td> <td>1</td> </tr> | 14 | PE1128 | MARQUEE SUPPORT WELDMENT | 2 | 15 | CP1038 | TILT PANEL HINGE | 1 | 16 | 655S | #8 x 5/8 SQ. DRIVE (SILVER) | 12 | 17 | TG1021 | LIGHT BRACKET | 3 | 18 | SH2130X | ASY (2D BULB SOCKET) | 3 | 19 | E00382 | BULB CF 27W (PHILIPS #EL/MDT27W | 3 | 20 | 655 | #8 x 3/4 SQ. DRIVE (BLACK) | 7 | 21 | PE7128 | MARQUEE 2 PLAYER 'MAIN' LOGO | 1 |
| 14 | PE1128 | MARQUEE SUPPORT WELDMENT | 2 | | | | | | | | | | | | | | | | | | | | | | | | | | | | | | | | |
| 15 | CP1038 | TILT PANEL HINGE | 1 | | | | | | | | | | | | | | | | | | | | | | | | | | | | | | | | |
| 16 | 655S | #8 x 5/8 SQ. DRIVE (SILVER) | 12 | | | | | | | | | | | | | | | | | | | | | | | | | | | | | | | | |
| 17 | TG1021 | LIGHT BRACKET | 3 | | | | | | | | | | | | | | | | | | | | | | | | | | | | | | | | |
| 18 | SH2130X | ASY (2D BULB SOCKET) | 3 | | | | | | | | | | | | | | | | | | | | | | | | | | | | | | | | |
| 19 | E00382 | BULB CF 27W (PHILIPS #EL/MDT27W | 3 | | | | | | | | | | | | | | | | | | | | | | | | | | | | | | | | |
| 20 | 655 | #8 x 3/4 SQ. DRIVE (BLACK) | 7 | | | | | | | | | | | | | | | | | | | | | | | | | | | | | | | | |
| 21 | PE7128 | MARQUEE 2 PLAYER 'MAIN' LOGO | 1 | | | | | | | | | | | | | | | | | | | | | | | | | | | | | | | | |



3127X Assembly

PARTS LISTINGS

Misc. Parts

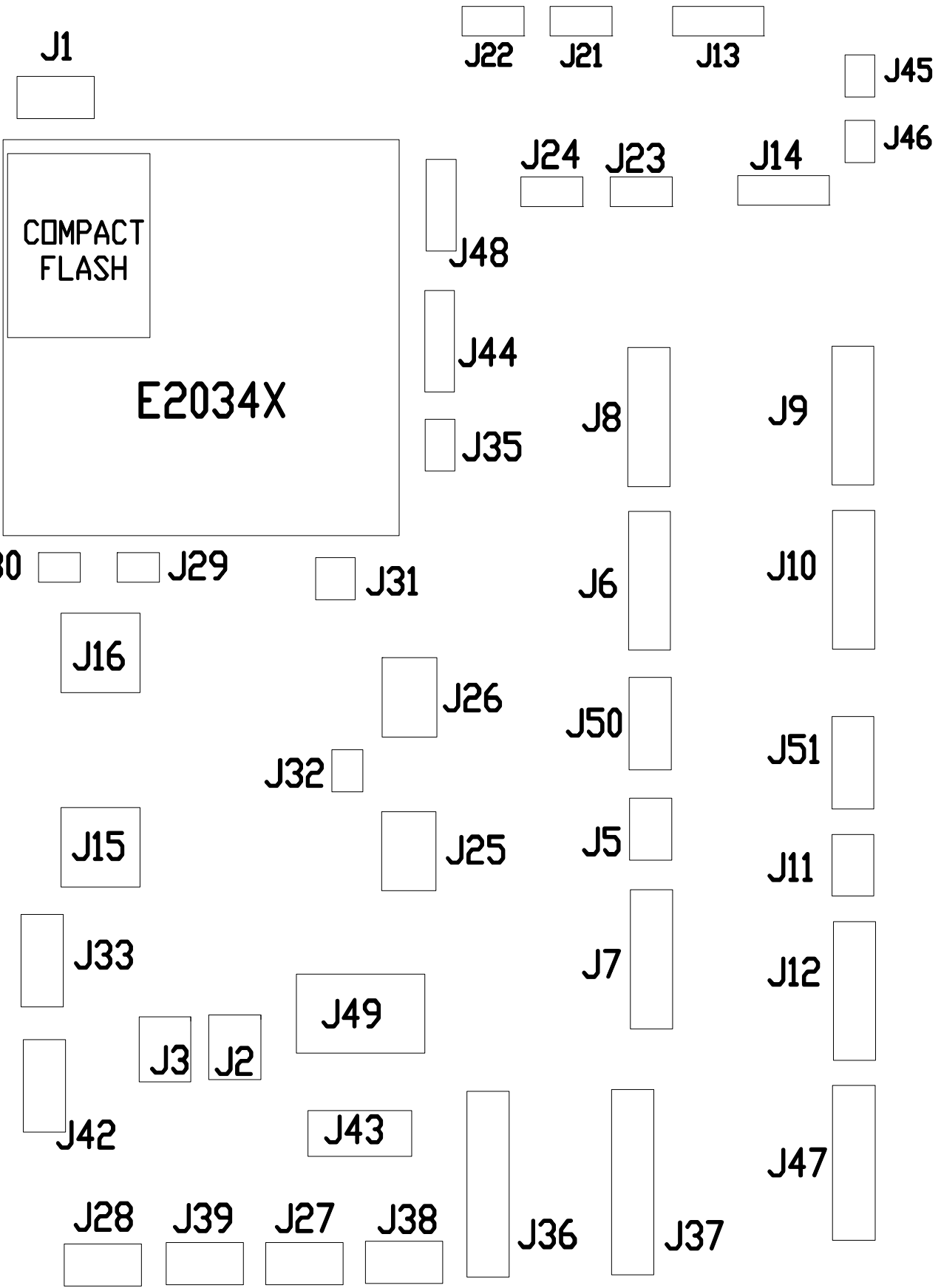
| | |
|-------------|-------------------------------|
| XBFP9062359 | Coin Chute .984 |
| PE1050 | Drawer Slide |
| PE3027 | Side glass |
| PE3028 | Front glass |
| 1024 | Ticket Bin |
| 1026 | Bracket for low ticket switch |
| PE3127X | Marquee 2 player |
| CR060008S | Slide pusher deck |
| SX2002AX | Assembly transformer |

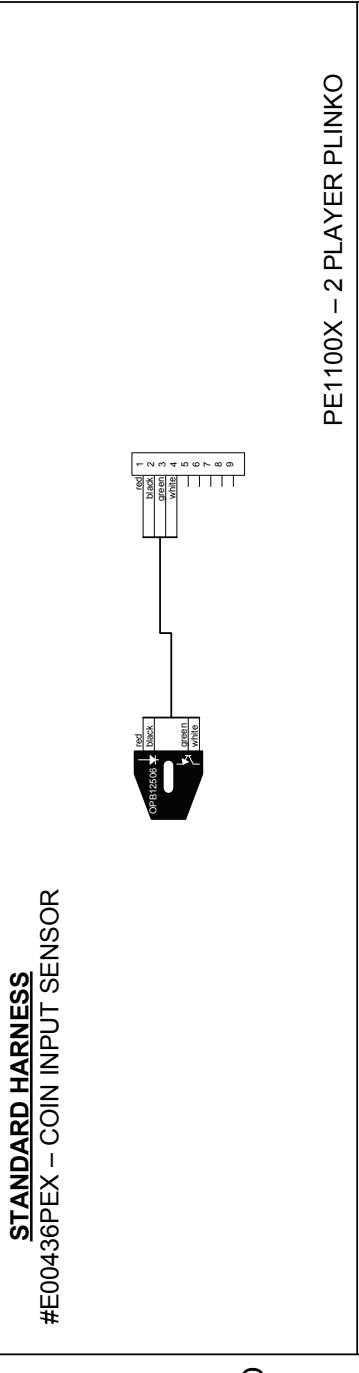
Electrical Parts

| | |
|-------------|-----------------------------------|
| CG2027 | Power cord 9' 10" |
| CR100110 | 12v 20w 36/38 Halogen Bulb |
| CP1051 | Tilt Sensor |
| DA2001X | Main Power Supply |
| DA2002X | Transformer for Main power supply |
| E02027G | Fan Guard |
| E02970 | Cherry push/pull switch |
| MS2764X | Small fan assembly |
| PE2009A | Gearbox |
| PE2009X | Motor Assembly |
| PE2034X | Main I/O |
| AR2007 | Speaker 6x9 |
| CR070113A | Hopper Cube MKII .950 to 1" |
| CR1050 | Anti-slam switch |
| E00211 | Low Ticket switch |
| HH5005 | Ticket Dispenser |
| 2289X | Reset assembly button |
| E00433 | LCD Module 16x2 |
| E00411PEX | Red LED strip |
| E00414PEX | Blue LED strip |
| PE2008X | Bonus Wheel Assembly |
| PE2035X | Opto Switch |
| PE2036X | LED display |
| PE8520X | Socket for Halogen |
| SX1026-P802 | Fan Coverl |
| SX2007X | Power module |
| E00436PEX | Coin in sensor |

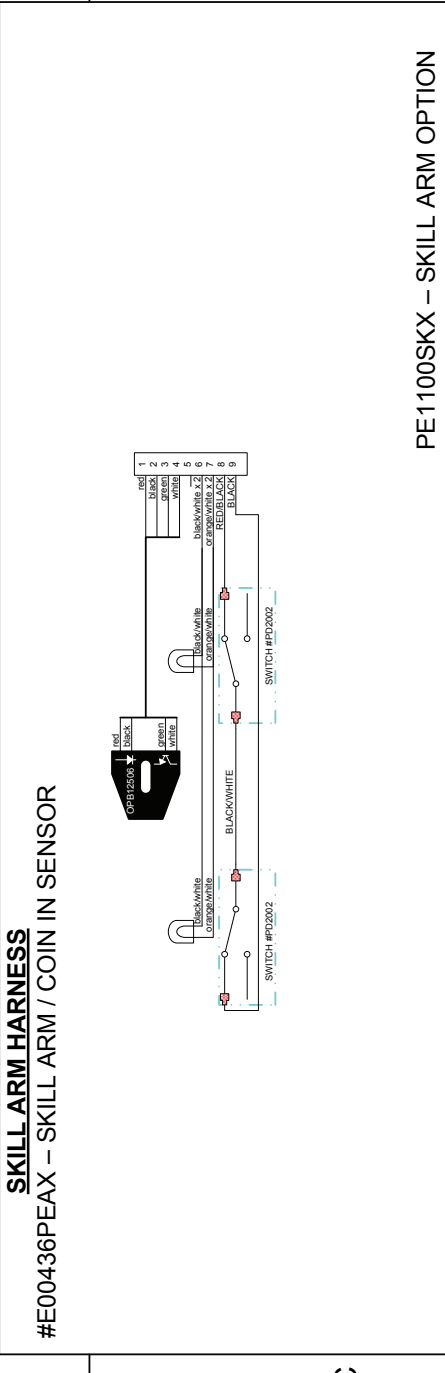
Graphics and Decals

| | |
|--------|--|
| PE7158 | Decal - Programming assembly |
| PE7157 | Decal - Front door |
| PE7110 | Decal - Wheel Reel |
| PE7113 | Decal - Wheel Surround |
| PE7114 | Decal - Wheel surround gold |
| PE7100 | Decal - Cabinet lower side |
| PE7102 | Decal - PC Board |
| PE7107 | Decal - Left Divider |
| PE7109 | Decal - Right Divider |
| PE7156 | Decal - Cash box front drawer |
| PE7116 | Decal - Corner Glass |
| PE7104 | Decal - Instructions 'Cylon eye' version |
| PE7105 | Decal - Instructions 'Standard' version |

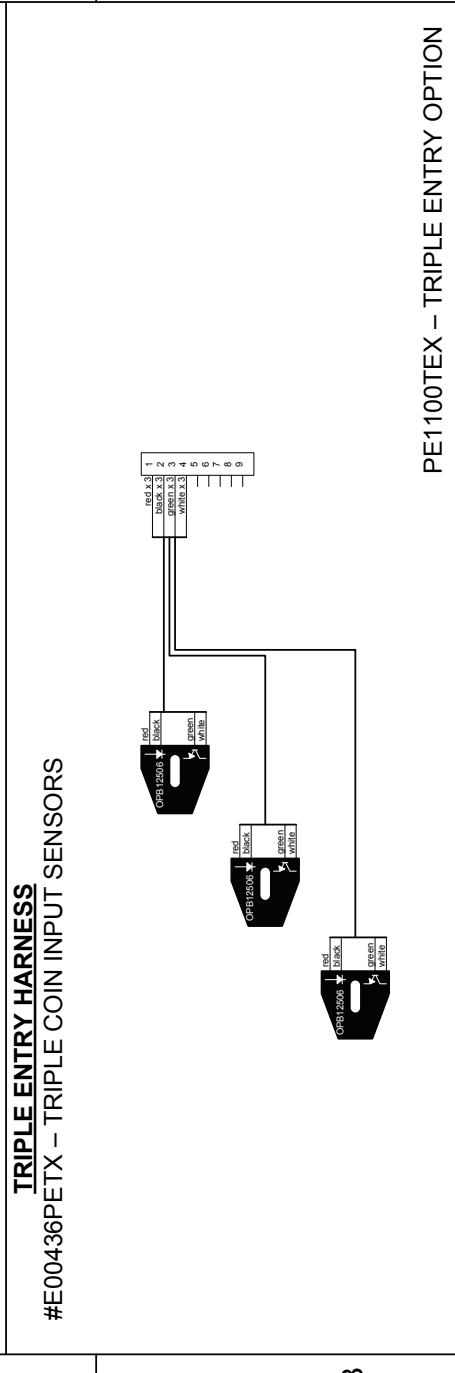




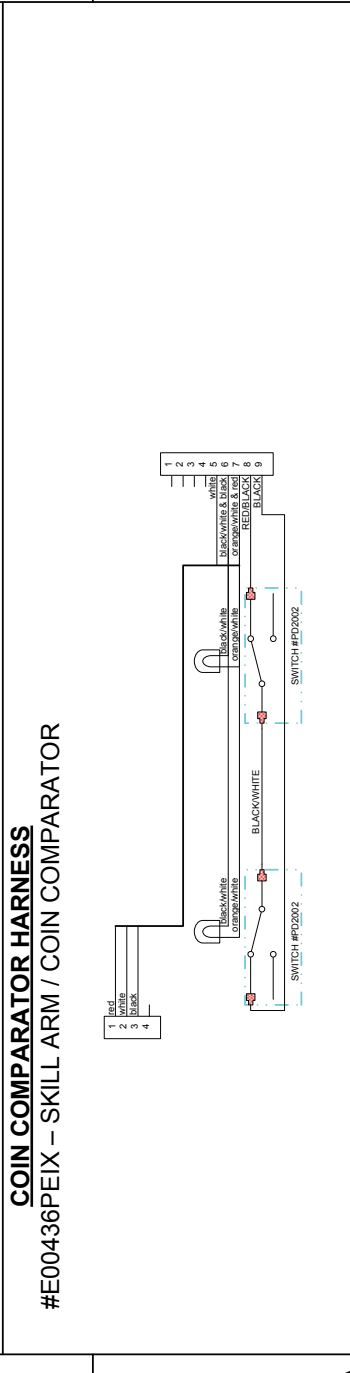
D



C



B



A

| | | | |
|-------------|------------|----------|------------------------------|
| TITLE | PE1100X | | |
| DESCRIPTION | APPENDIX A | FILENAME | PE1100X SYSTEM SCHEMATIC.VSD |
| DATE | 9/15/08 | DRAWN BY | NBRANCATO |
| | REVISED | PAGE | 2 OF 2 |
| | | | |

PE1400X – COIN COMPARATOR 2
PLAYER PLINKO GAME



Contacts at SEGA

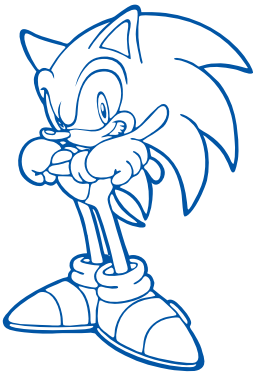


Machine Sales

Telephone: +44 (0) 208 391 8090

Fax: +44 (0) 208 391 8099

www.sega-amusements.co.uk



SEGA Spares

Telephone: +44 (0) 208 391 8060

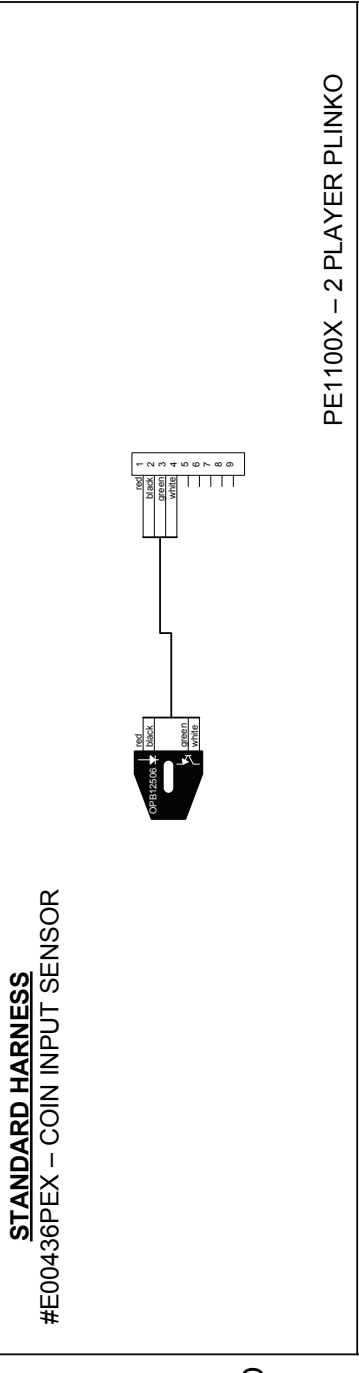
Fax: +44 (0) 208 391 8096

www.segatotalsolutions.com

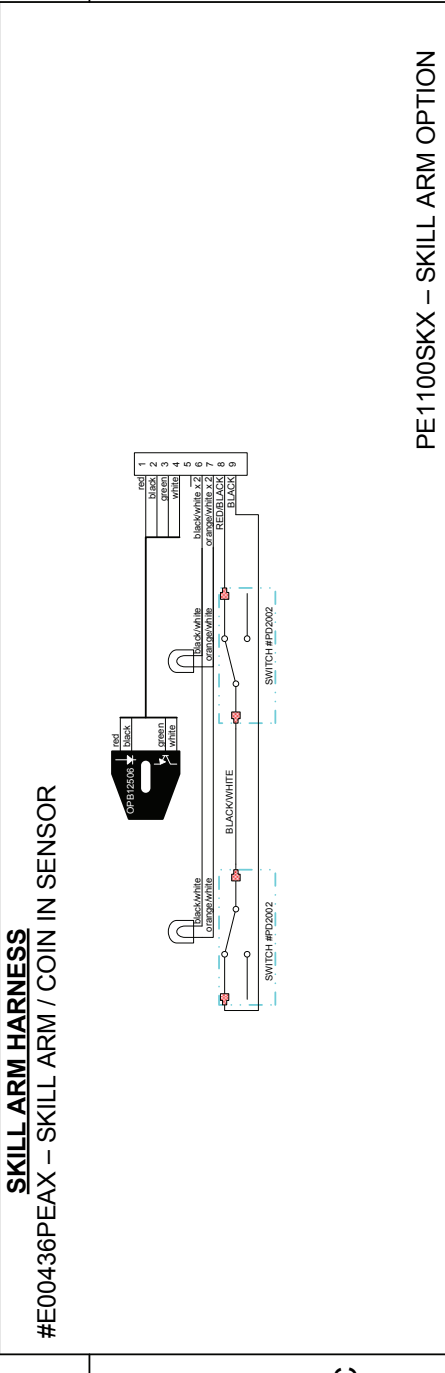
Customer Services

Telephone: +44 (0) 208 391 8065

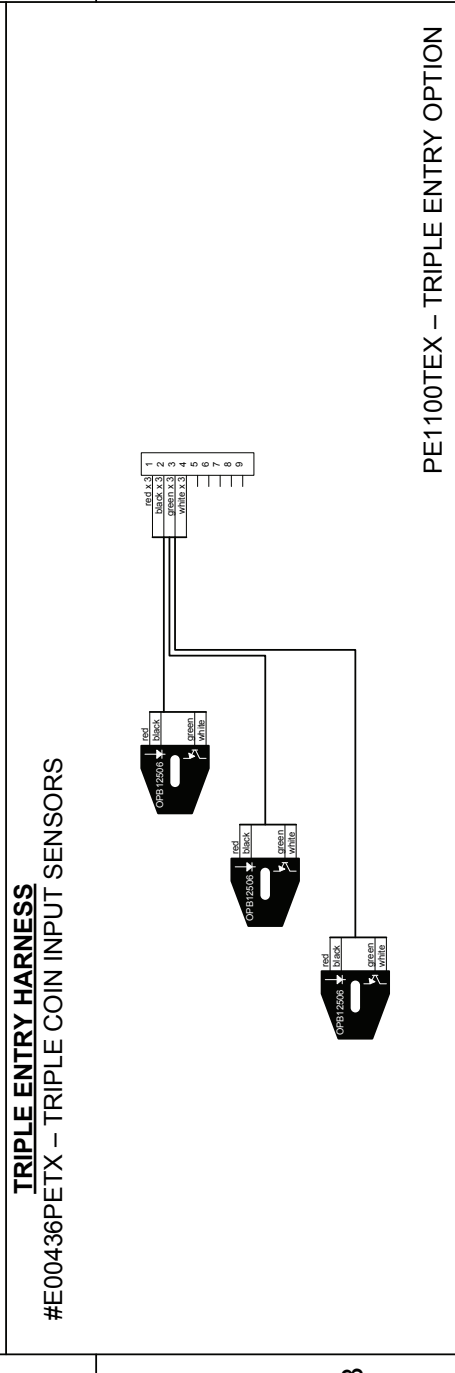
Fax: +44 (0) 208 391 8096



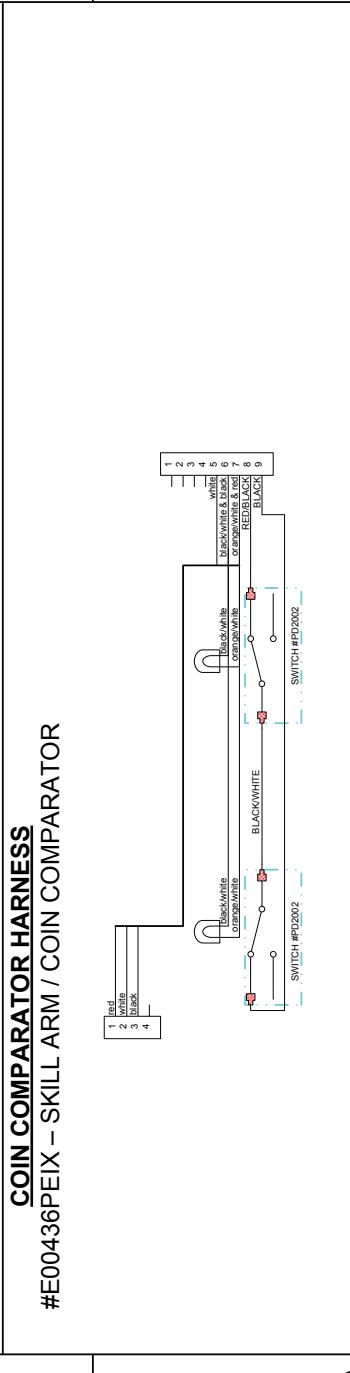
D



C



B



A

| | | | |
|-------------|------------|----------|------------------------------|
| TITLE | PE1100X | | |
| DESCRIPTION | APPENDIX A | FILENAME | PE1100X SYSTEM SCHEMATIC.VSD |
| DATE | 9/15/08 | DRAWN BY | NBRANCATO |
| | REVISED | PAGE | 2 OF 2 |

PE1400X – COIN COMPARATOR 2
PLAYER PLINKO GAME