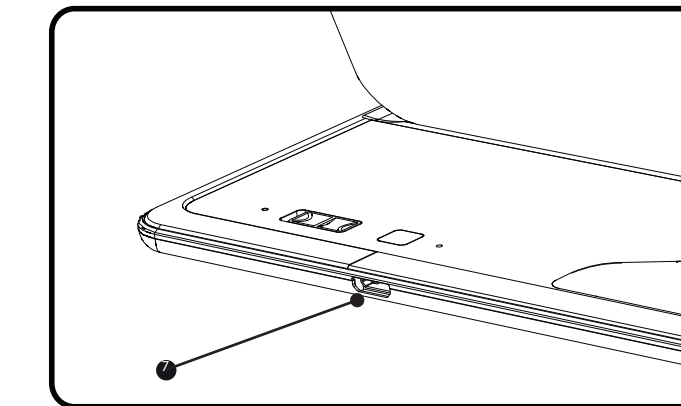
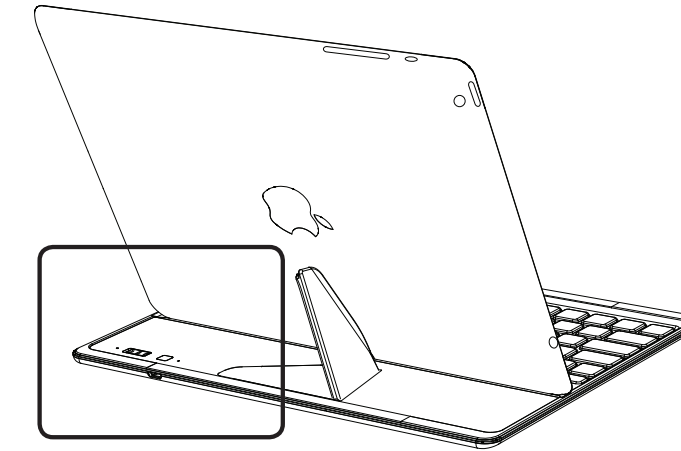
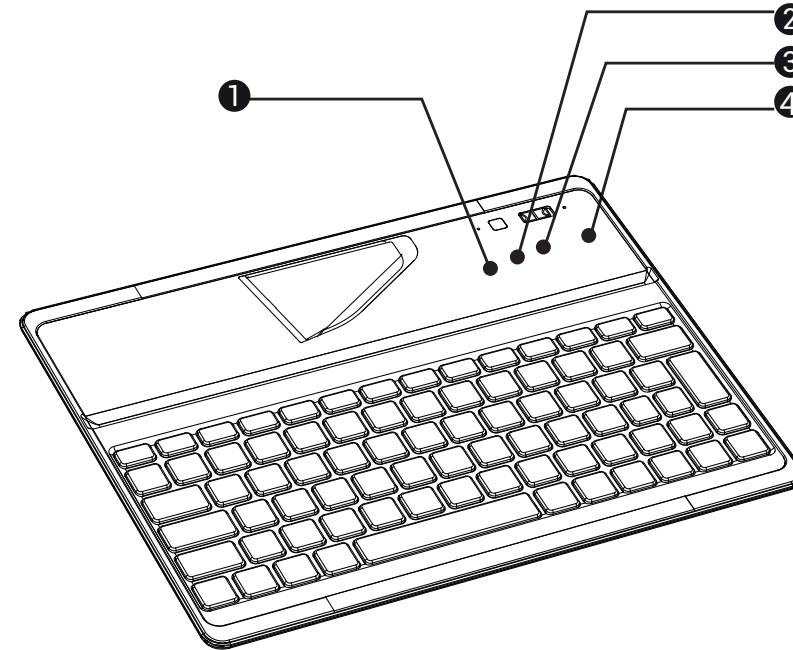
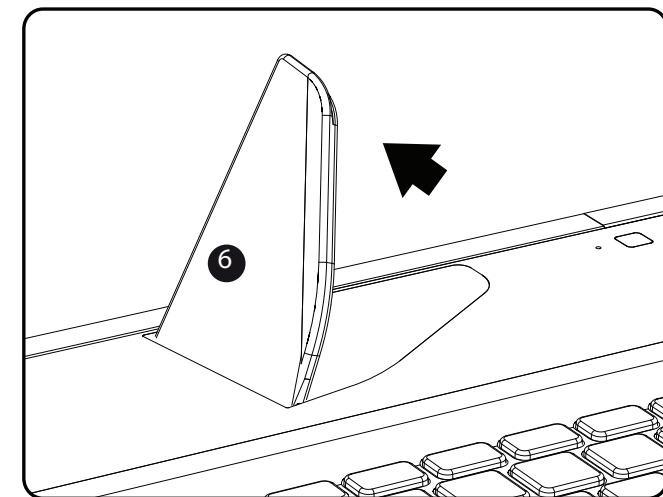
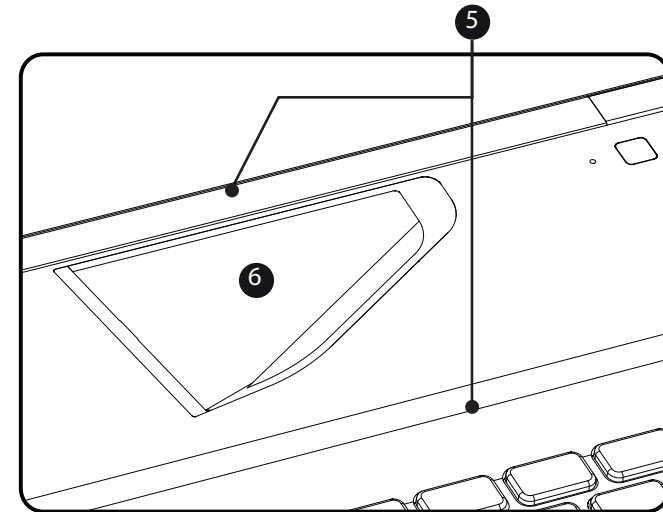


Bluetooth Keyboard for iPad



Quick User Guide

English - French - German - Spanish
Italian - Dutch - Portuguese - Russian



EN

1. Bluetooth indicator
2. Pairing button
3. ON/OFF button
4. Charging indicator
5. Built-in magnets
6. Stand
7. Micro-USB port

FR

1. Voyant Bluetooth
2. Bouton d'association
3. Bouton ON/OFF
4. Témoin de chargement
5. Aimants intégrés
6. Béquille
7. Port Micro-USB

DE

1. Bluetoothanzeige
2. Paarungstaste
3. ON/OFF-Taste
4. Ladeanzeige
5. Eingebaute Magnete
6. Halter
7. Micro-USB-Anschluss

ES

1. Indicador Bluetooth
2. Botón de emparejamiento
3. Botón ON/OFF
4. Indicador de carga
5. Imanes integrados
6. Pie
7. Puerto micro USB

IT

1. Indicatore Bluetooth
2. Pulsante di associazione
3. Pulsante ON/OFF
4. Indicatore di carica
5. Magneti incorporati
6. Struttura d'appoggio
7. Porta micro USB

NL

1. Bluetooth-lampje
2. Pairing-lampje
3. AAN/UIT-knop
4. Opladlampje
5. Ingebouwde magneten
6. Standaard
7. Micro-USB-poort

PT

1. Indicador Bluetooth
2. Botão de emparelhamento
3. Botão Ligar/Desligar
4. Indicador de carga
5. Ímanes integrados
6. Suporte
7. Entrada micro-USB

RU

1. Индикатор Bluetooth
2. Кнопка сопряжения
3. Кнопка ВКЛ./ВЫКЛ.
4. Индикатор подзарядки
5. Встроенные магниты
6. Стойка
7. Порт micro-USB

EN

Your keyboard is connected to your iPad via Bluetooth.
Your keyboard includes a battery.
Use the micro-USB port in order to charge the keyboard.
The charging indicator is on when the keyboard is charging.

FR

Votre clavier est connecté à votre iPad via Bluetooth.
Votre clavier est équipé d'une batterie.
Utilisez le port micro-USB afin de charger le clavier.
L'indicateur de chargement est allumé lorsque le clavier est en charge.

DE

Ihr Keyboard wird über Bluetooth mit Ihrem iPad verbunden.
Ihr Keyboard wird mit einer Batterie ausgeliefert.
Das Keyboard wird über den Micro-USB-Anschluss geladen.
Die Ladeanzeige leuchtet während des Ladens des Keyboards rot auf.

ES

El Keyboard se conecta a tu iPad a través de Bluetooth.
El dispositivo incluye una batería.
Utiliza el puerto micro USB para cargar el Keyboard.
El indicador de carga se encenderá mientras recargas el dispositivo.

IT

La Keyboard è collegata al iPad via Bluetooth.
La Keyboard include una batteria.
Utilizzare la porta micro USB per caricare la Keyboard.
L'indicatore di carica è acceso quando la Keyboard è in carica.

NL

Uw Keyboard wordt via Bluetooth aangesloten op uw iPad.
Uw Keyboard bevat een batterij.
Gebruik de micro-USB-poort om uw Keyboard op te laden.
Het opladlampje brandt tijdens het opladen van de Keyboard.

PT

O Keyboard está ligado ao seu iPad por Bluetooth.
O Keyboard inclui uma bateria.
Utilize a entrada micro-USB para carregar o Keyboard.
O indicador de carga está ligado quando o Keyboard está a carregar.

RU

Обложка подключается к iPad по Bluetooth.
В комплекте с обложкой поставляется элемент питания.
Для подзарядки обложки используйте порт micro-USB.
Во время подзарядки обложки светится индикатор

FCC

This device complies with Part 15 of the FCC rules. Operation is subject to the following two conditions:
1/ this device may not cause harmful interference, and 2/ this device must accept any interference received, including interference that may cause undesired operation. FCC Caution: Any changes or modifications not expressly approved by the party responsible for compliance could void the user's authority to operate this equipment.

Radiation Exposure Statement

This equipment complies with FCC radiation exposure limits set forth for an uncontrolled environment.
This transmitter must not be co-located or operating in conjunction with any other antenna or transmitter.