



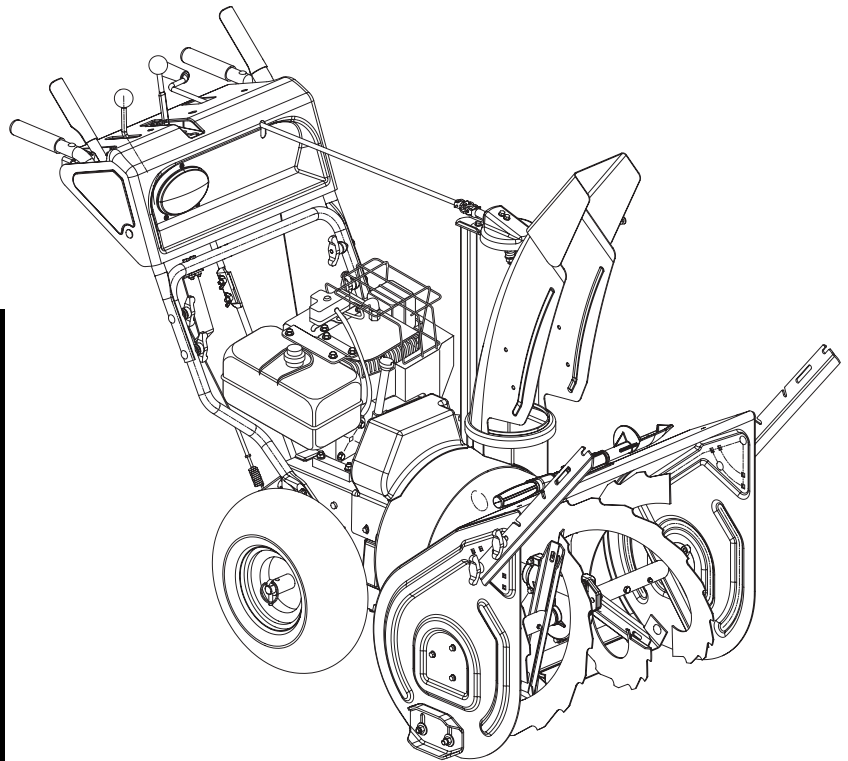
# Sno-Thro<sup>®</sup>

## Parts Manual

### Models

932105 - ST8526LE

932506 - ST8526LE



## THE MANUAL

---

Before you operate your unit, carefully and completely read manuals supplied with the unit. The contents will provide you with an understanding of safety instructions and controls during normal operation and maintenance.

For your safety and the safety of others always read, understand, and follow all DANGER, WARNING, and CAUTION messages found in manuals and on safety decals.

Hardware descriptions are given in decimals.

Decimals to Fractions			
.063	1/16	.563	9/16
.125	1/8	.625	5/8
.188	3/16	.688	11/16
.250	1/4	.750	3/4
.313	5/16	.813	13/16
.375	3/8	.875	7/8
.438	7/16	.938	15/16
.500	1/2	1.00	1

## SERVICE AND REPLACEMENT PARTS

---

When ordering replacement parts or making service inquiries, know the Model and Serial numbers of your unit and engine.

Numbers are located on the product registration card in the unit literature package. They are printed on a serial number label, located on the frame of your unit.

- Record Unit Model and Serial numbers here:

- Record Engine Model and Serial numbers here:

## UNAUTHORIZED REPLACEMENT PARTS

Use only Ariens replacement parts. The replacement of any part on this vehicle with anything other than an Ariens authorized replacement part may adversely affect the performance, durability, or safety of this unit and may void the warranty. Ariens disclaims liability for any claims or damages, whether warranty, property damage, personal injury or death arising out of the use of unauthorized replacement parts.

## PRODUCT REGISTRATION

---

The Ariens dealer must register the product at the time of purchase. Registering the product will help the company process warranty claims or contact you with the latest service information. All claims meeting requirements during the limited warranty period will be honored, whether or not the product registration card is returned. Keep a proof of purchase if you do not register your unit.

**Customer Note:** If Dealer does not register your product, please fill out, sign and return the product registration card to Ariens or go to [www.ariens.com](http://www.ariens.com).

## YOUR SATISFACTION IS IMPORTANT

---

**Questions? Please follow these helpful steps:**

1. Refer to the manuals supplied with your unit.  
They will guide you through safe and proper operation and maintenance.  
They contain specifications on your unit.  
If your questions are not answered in these manuals, go to step number two.
2. Contact Your Dealer.  
Our dealers will be happy to supply any service or advice required to keep your unit operating at peak efficiency.  
A factory trained staff is available to support your equipment needs. They stock genuine Ariens parts and lubricants manufactured with the same precision and skill as the original.  
If your questions are not resolved by the support staff, ask for the manager or owner.  
When contacting your Dealer supply your model and serial numbers.

## TO SPEED PARTS ORDERING:

1. Know the model and serial numbers of your unit.
2. Know the part number required.
3. Know the quantity required.
4. Know the part description.

# MODELS

## Domestic

**Model 932105 (8526)**  
8.5 H.P. 26" Sno-Thro  
Serial No. 000101 and up

## Global

**Model 932506 (8526)**  
8.5 H.P. 26" Sno-Thro  
Serial No. 000101 and up

# TABLE OF CONTENTS

## DECALS

Decals . . . . . 3

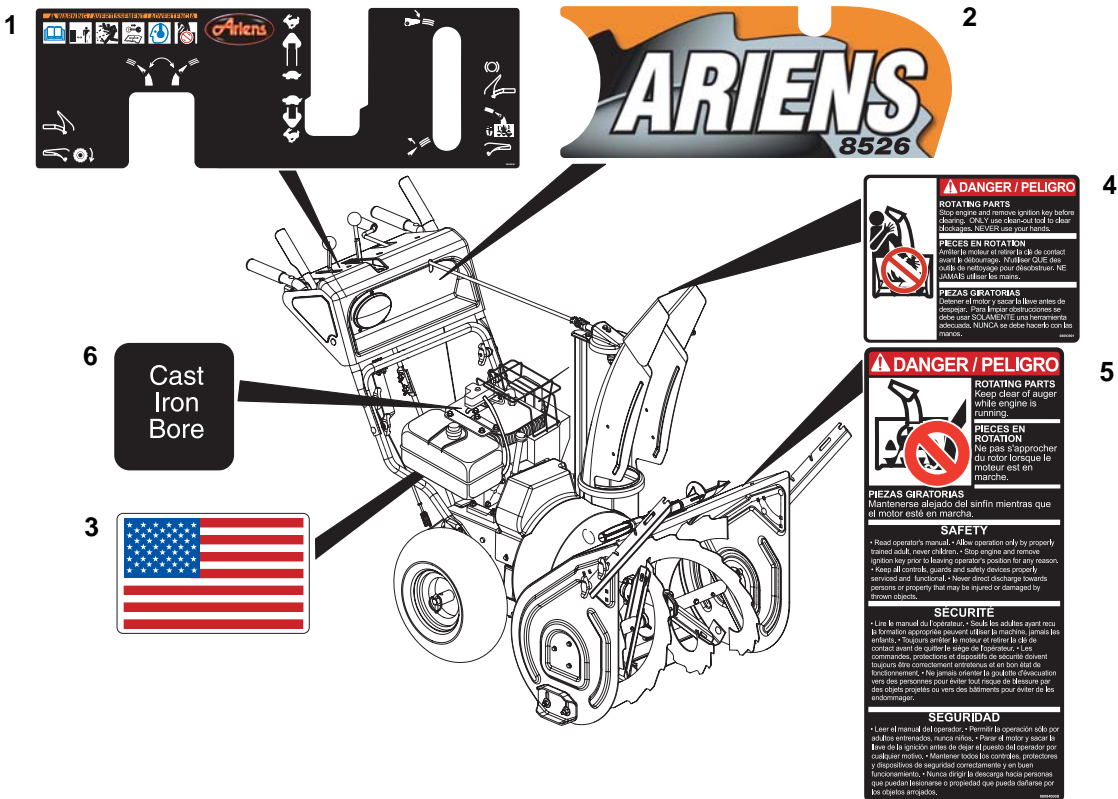
## ENGINE AND DRIVE

Engine and Belt Drive . . . . . 4  
Friction Drive . . . . . 6

## FRAME AND HOUSING

Handlebar and Controls . . . . . 8  
Speed Selector and Frame . . . . . 10  
Auger and Chute . . . . . 11  
Discharge Chute Crank . . . . . 12  
Gearcase and Impeller . . . . . 13  
Electrical and Wiring Diagram . . . . . 14

# DECALS

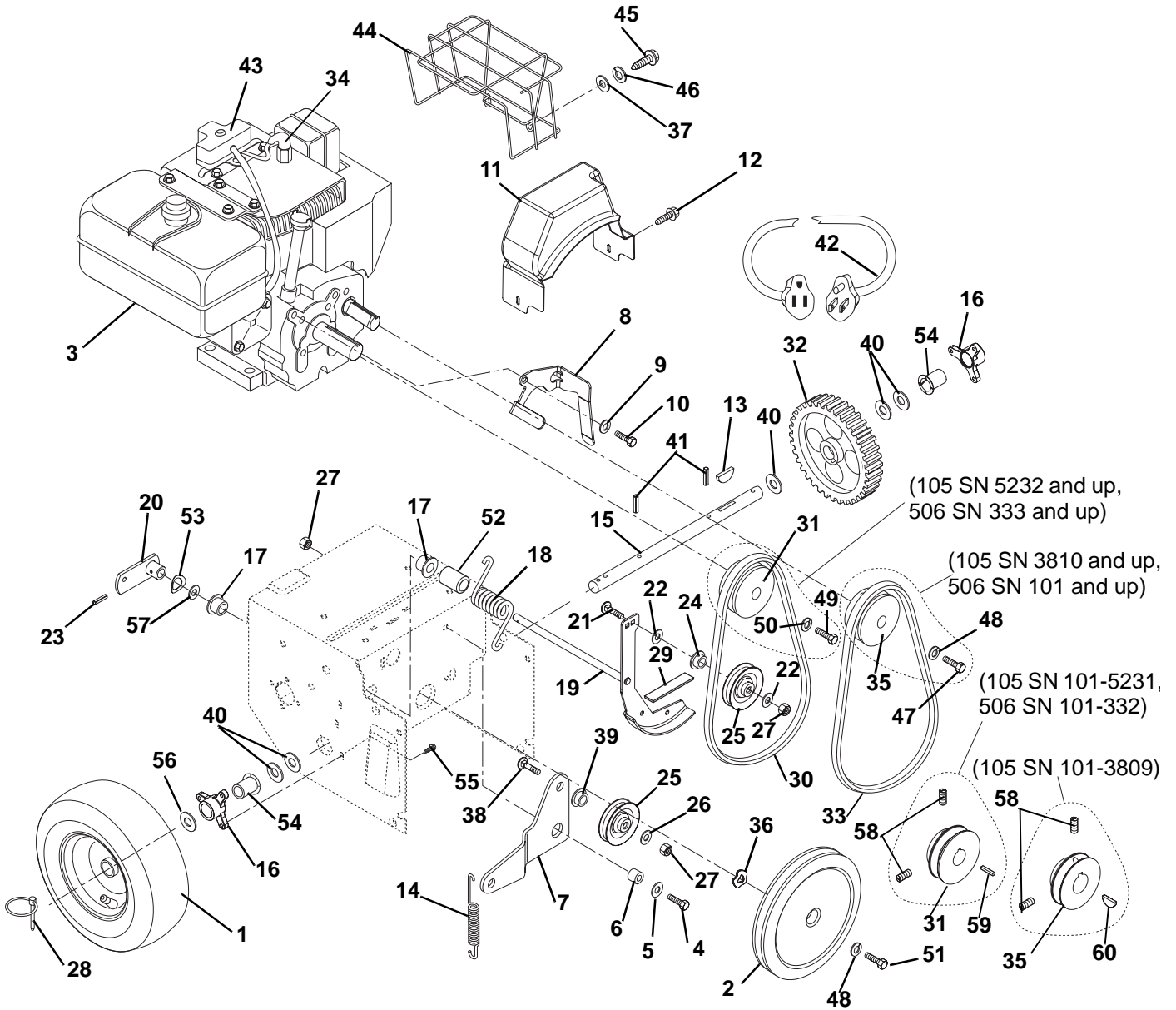


Item	Part No.	Qty.	Description
1	08000006	1	Decal, Control Panel ST8526
2	08000005	1	Decal, Front Panel ST8526
3	05305100	1	Decal, American Flag
4	08093901	1	Decal, Danger- Rotating Parts
5	08094000	1	Decal, Danger
6	07797600	1	Decal, Cast Iron Bore

PS0307

# ENGINE AND BELT DRIVE

Model 932105, 506



PS0256

Item	Part No.	Qty.	Description
1	07100024	2	Wheel 5.00 x 6.00
	07155900	2	Tire 15 x 5.00-6
	07100016	2	Tire/Wheel Assembly 15 x 5.00-6
	07156400	2	Tube 15 x 5.00-6
2	00272300	1	Pulley, 3L w/hub, .625 x 6.5"
3	08200021	1	Engine, 8.5HP Tecumseh LH318SA 120V (105 SN 3810 and up)
	08260004	1	Engine, 8.5HP Tecumseh LH 120V (105 SN 101-3809)
	08200020	1	Engine, 8.5HP Tecumseh LH318SA (506 SN 101 and up)
4	05947000	1	Bolt, Hex .31-18 x .75 Grade 5
5	06435700	1	Washer, Flat Steel .38 x .88 x .083
6	01035800	1	Spacer Bushing

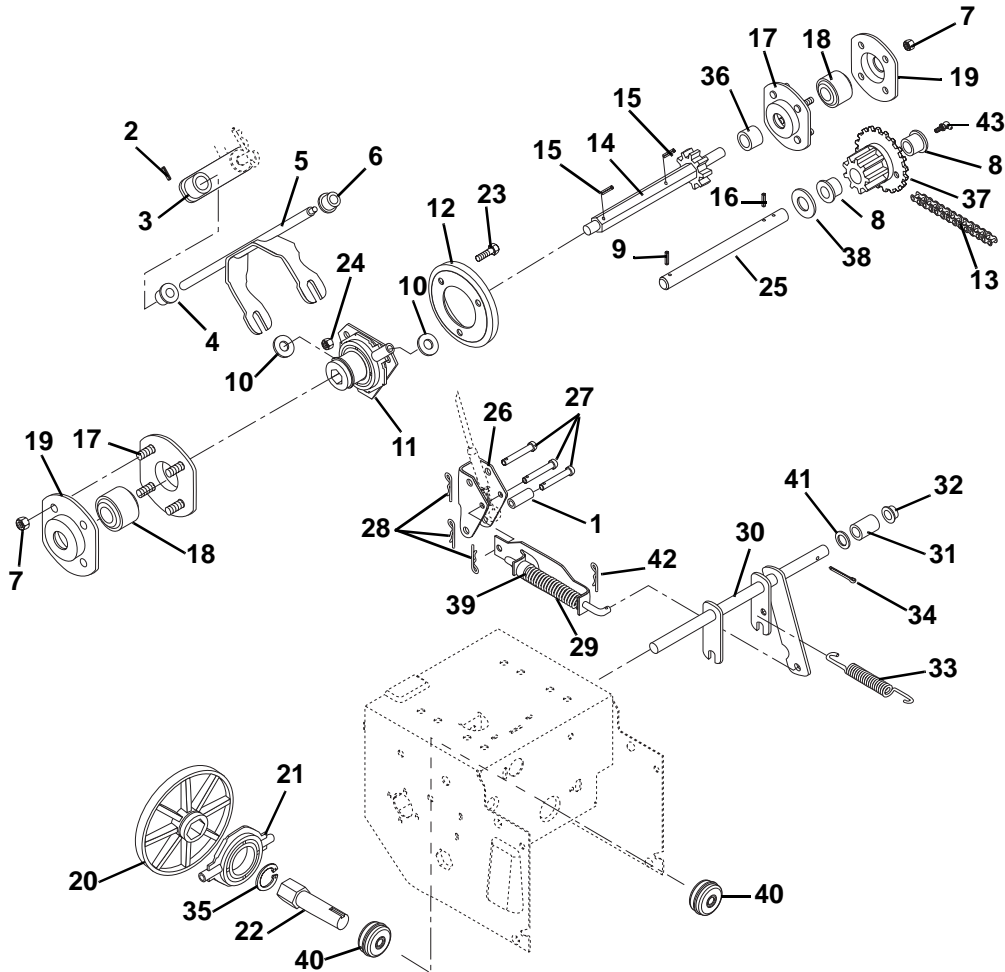
# ENGINE AND BELT DRIVE

Model 932105, 506

Item	Part No.	Qty.	Description
7	03206900	1	Idler Arm
8	00291851	1	Belt Finger
9	06307400	1	Washer, Locking .312 x .097
10	05947300	1	Bolt, Hex .31-24 x .75 Grade 5
11	00274700	1	Belt Cover
12	07411600	2	Screw, Tapping Hex Washer Head .25-20 x .37
13	06601200	1	Key, Woodruff .25 x .75 x .313 SAE 91
14	08317200	1	Spring, Tension .047 x .44 x 3.37
15	00295700	1	Shaft, Axle
16	00275200	2	Bushing, Rake Shaft .75
17	05502100	2	Bushing, Flange .500 x .625 x .500 x .750
18	08300007	1	Spring, Torsion
19	53213400	1	Brake Arm w/Pad (Includes item 29)
20	02485551	1	Lever, Clutch
21	06219200	1	Bolt, Round Head Square Neck .31-18 x 1.25 Grade 5
22	06435700	2	Washer, Flat Steel .38 x .88 x .083
23	05802600	1	Pin, Roll .16 x .88
24	01213100	1	Bearing Spacer
25	02457400	2	Idler
26	06435700	1	Washer, Flat Steel .38 x .88 x .083
27	06529800	3	Nut, Locking Center .31-18
28	07053700	2	Pin, Lock .31 x 1.75
29	00295600	1	Brake Pad
30	07200007	1	V-Belt, 4L x 12.435CD
31	00278900	1	Sheave, Engine (105 SN 5232 and up, 506 SN 333 and up)
	00349200	1	Sheave, Engine w/Keyway (105 SN 101-5231, 506 SN 101-332)
32	01021100	1	Spur Gear
33	07228600	1	V-Belt 3L-Section 33.37 x .38 (Traction Drive)
34	21533400	AR	Plug, Spark
35	00279300	1	Sheave, Camshaft (105 SN 3810 and up, 506 SN 101 and up)
	03232700	1	Pulley, Camshaft (105 SN 101-3809)
36	06400007	1	Washer, Wave .69 x .84 x .011
37	06442700	2	Washer, Flat Steel .22 x .50 x .05 (506)
38	06221800	1	Round Head Square Short Neck .31-18 x 1.00 Grade 5
39	01305900	1	Shoulder Spacer
40	06441400	5	Washer, Flat Steel .75 x 1.13 x .062
41	05802900	2	Pin, Roll .156 x 1.00
42	02483100	1	Cord, Extension 120 V (105)
43	72403600	1	120 V Starter Kit
44	02460200	1	Guard, Muffler (506)
45	07413600	2	Screw, Tapping 10-16 x .75 (506)
46	06308100	2	Washer, Locking 10 x .05 (506)
47	05900011	1	Bolt, Hex .25-28 x 1.0 Precote 80
48	06308000	2	Washer, Locking .250 x .077
49	05900009	1	Bolt, Hex .38-24 x 1.0 Precote 80
50	06308800	1	Washing, Locking .38 x .094
51	05900010	1	Bolt, Hex .25-28 x .75 Precote 80
52	05500013	1	Bushing, Sleeve
53	06400005	1	Washer, Wave .50 x .75 x .015, .13 Free Height
54	05500014	2	Bushing, Flange Split Nyliner .75"HP
55	07400003	6	Screw, Tapping .25-20 x .50 w/Vibra-Tite
56	06444200	2	Washer, Flat .755 x 1.25 x .125
57	06439200	1	Washer, Flat Steel .505 x 1.00 x .062
58	06005500	2	Screw, Set .31-18 x .38 (105 SN 3810-5231, 506 SN 101-332)
	06005500	4	Screw, Set .31-18 x .38 (105 SN 101-3809)
59	06601800	1	Key, Straight .25 x 1.75 x .25 (105 SN 101-5231, 506 SN 101-332)
60	06601500	1	Key, Woodruff .125 x .625 x .250 (105 SN 101-3809)

# FRICION DRIVE

Model 932105, 506



PS1050

Item	Part No.	Qty.	Description
1	03242100	1	Spacer, .325 x .625 x .455
2	05802600	1	Pin, Roll .16 x .88
3	03248500	1	Arm, Speed Change
4	05502100	1	Bushing, Flange .500 x .625 x .500 x .750
5	03231700	1	Fork, Speed
6	05514500	1	Bushing, Flange .33 x .44 x .44 x .56
7	06530600	8	Nut, Locking Dual Face 10-24
8	05502600	2	Bushing, Flange .63 x .75 x .50 x .88
9	05802900	1	Pin, Roll .16 x 1.00
10	06439200	2	Washer, Flat Steel .51 x 1.00 x .062
11	03235300	1	Shift Carrier

# FRICION DRIVE

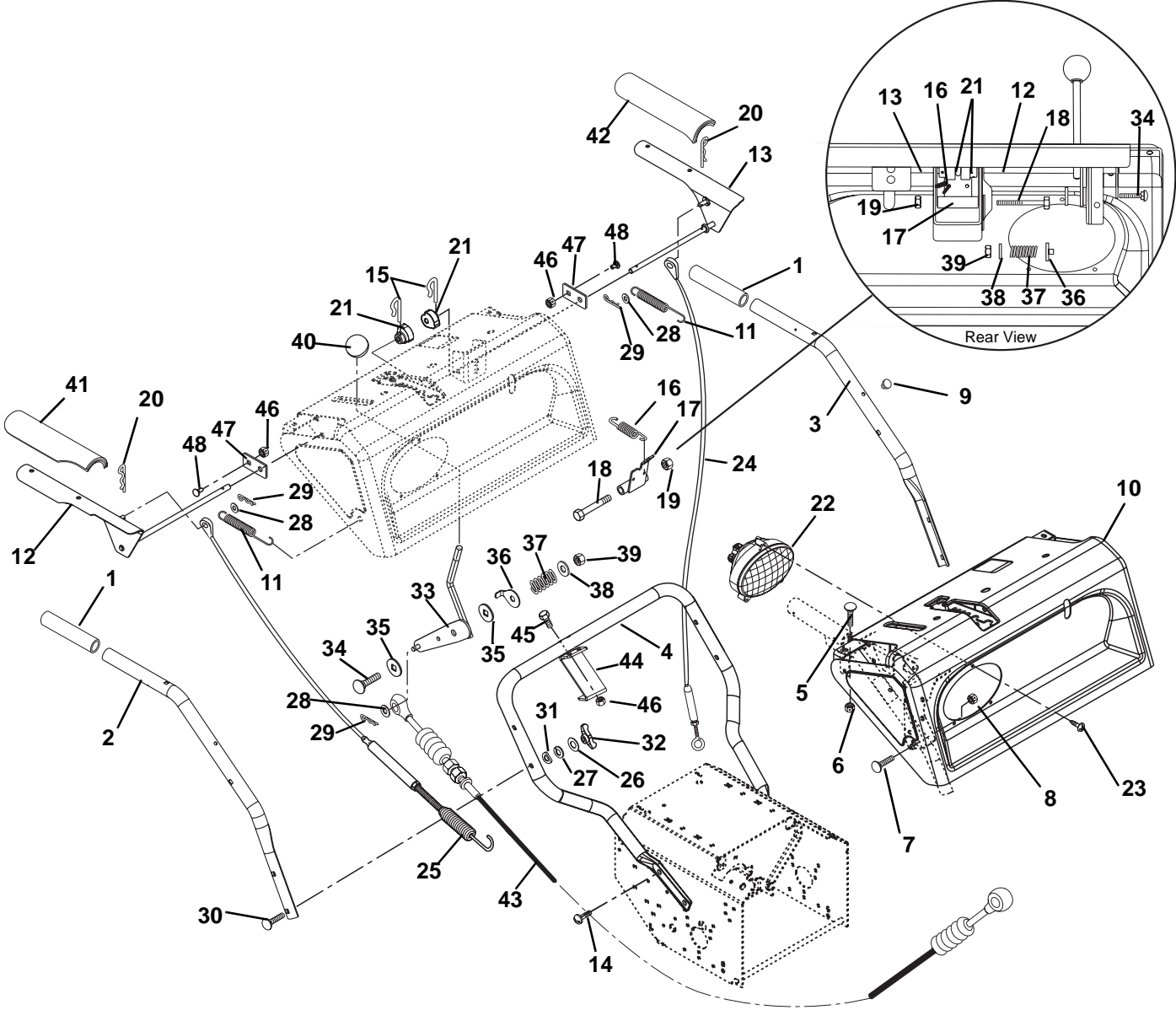
---

Model 932105, 506

Item	Part No.	Qty.	Description
12	03248300	1	Disc, Friction
13	03248600	1	Chain, Roller #41 x 27 Pitches
14	03248400	1	Hex Shaft
15	05804700	2	Pin, Roll .125 x .88
16	05800900	1	Pin, Roll .13 x 1.00
17	00308500	2	Bearing, Flange
18	05435200	2	Bearing, Ball .437 x 1.375 x .437
19	03226900	2	Bearing, Flange
20	03201100	1	Friction Plate
21	03225900	1	Bearing Assembly
22	00291600	1	Spindle Shaft
23	05947900	3	Bolt, Hex .25-20 x .50 Grade 5
24	06529700	3	Nut, Locking Center .25-20
25	03232600	1	Pinion Shaft
26	03248000	1	Bracket, Traction Arm
27	06714700	3	Pin, Clevis .243/.248 x 1.38
28	06701900	3	Pin, Hair Internal .06 x .18 x .77
29	53209100	1	Assembly, Traction Clutch
30	03221100	1	Clutch Fork
31	03231500	1	Spacer .50 x .75 x .32
32	01208600	1	Cap .50 Rod
33	08314100	1	Spring, Tension .06 x .44 x 1.56
34	06707100	1	Pin, Cotter .12 x 1.0
35	05704300	1	Ring, Retaining External 1.25 x .05
36	03248700	1	Spacer,.45 x .62 x 1.23
37	53211000	1	Assembly, Pinion and Sprocket (Includes Item 8)
38	06436100	2	Washer, Flat Steel .63 x 1.01 x .062
39	03242100	1	Spacer .325 x .625 x .455
40	05400004	2	Bearing-Ball, .625 x 1.38 x .43 Snap Ring
41	06441900	1	Washer, Flat .531 x 1.06 x .095
42	06713500	1	Pin, Hair Internal .08 x .18 x 1.18
43	07029700	1	Drive Fitting, Hydraulic

# HANDLEBARS AND CONTROLS

Model 932105, 506



PS0692

Item	Part No.	Qty.	Description
1	07518700	2	Handle Grip
2	02491951	1	Handlebar, Upper-Right Hand
3	02492051	1	Handlebar, Upper-Left Hand
4	03242951	1	Handlebar, Lower



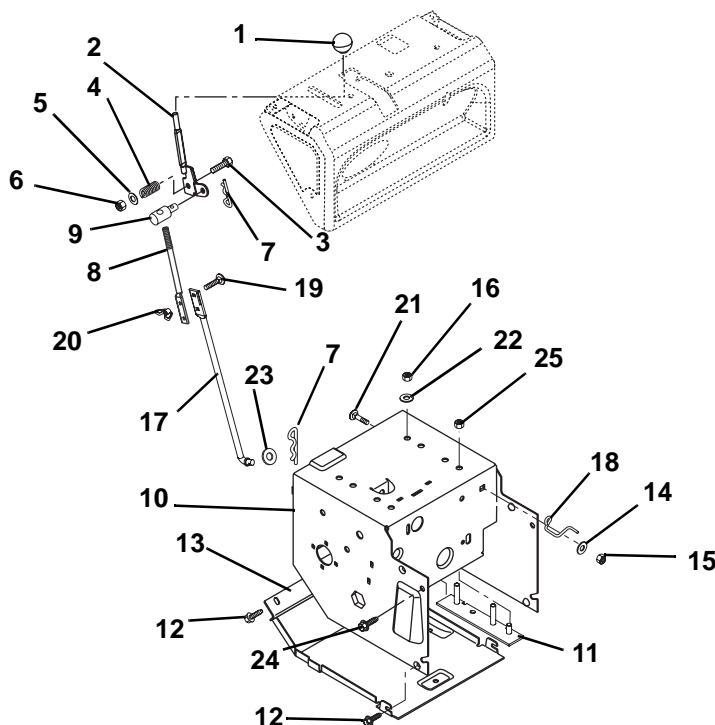
# HANDLEBARS AND CONTROLS

Model 932105, 506

Item	Part No.	Qty.	Description
5	06220100	2	Bolt, Round Head Square Neck .25-20 x 1.25
6	06529700	2	Nut, Locking Center .25-20
7	06220200	2	Bolt, Round Head Square Neck .31-18 x 1.75 Grade 5
8	06529800	4	Nut, Locking Center .31-18
9	07511800	2	Bumper
10	53213700	1	Panel w/Decals Hybrid
11	08335400	2	Spring, Tension .051 x .50 x 4.87
12	00274251	1	Lever, Right Hand
13	00274351	1	Lever, Left Hand
14	07047100	4	Bolt Serrated Hex Flange Washer Head .31-18 x .62 Grade 5
15	06714500	2	Pin, Spring Clip
16	08337000	1	Spring, Tension .05 x .44 x 1.45
17	00356900	1	Arm, Interlock
18	05957800	1	Bolt, Hex .38-16 x 3.00 Grade 5
19	06529600	1	Nut, Locking Center .38-16
20	06714800	2	Pin, Hair
21	02492100	2	Cam, Interlock
22	02485000	1	Headlamp, Oval with 1156 Bulb
23	07416700	3	Screw, Tapping 10-16 x .75 Hi-Lo
24	06948900	1	Cable, Traction
25	06900007	1	Cable, Auger-Hybrid
26	06435700	4	Washer, Flat Steel .38 x .875 x .083
27	06307400	4	Washer, Locking .31 x .10 Heavy
28	06437300	3	Washer, Flat Steel .28 x .62 x .065
29	06701900	3	Pin, Hair Internal .06 x .18 x .77
30	06221600	4	Bolt, Round Head Square Neck .31-18 x 2.25
31	06446800	4	Washer, Saddle .32 x .94 x .062
32	07531700	4	Knob, Wing .31-18
33	00273600	1	Lever, Deflector
34	06224300	1	Bolt, Round Head Square Neck .38-16 x 2.00
35	01123800	2	Friction Washer
36	00184100	1	Flange, Pressure
37	08320900	1	Spring, Compression .187 x .56 x 1.62
38	06436200	1	Washer, Flat Steel .406 x .812 x .065
39	06529600	1	Nut, Locking Center .38-16
40	07533500	1	Knob, Ball-Black 1.47" .375-16
41	02496400	1	Grip, Clutch Lever RH
42	02496500	1	Grip, Clutch Lever LH
43	06945001	1	Cable, Deflector Control
44	00292751	1	Bracket, Chute Cable
45	05952500	2	Bolt, Hex .25-20 x 1.50
46	06529700	4	Nut, Locking Center .25-20
47	00184751	2	Bracket, Retaining
48	06220600	2	Bolt, Round Head Square Neck .25-20 x .50

# SPEED SELECTOR AND FRAME

Model 932105, 506

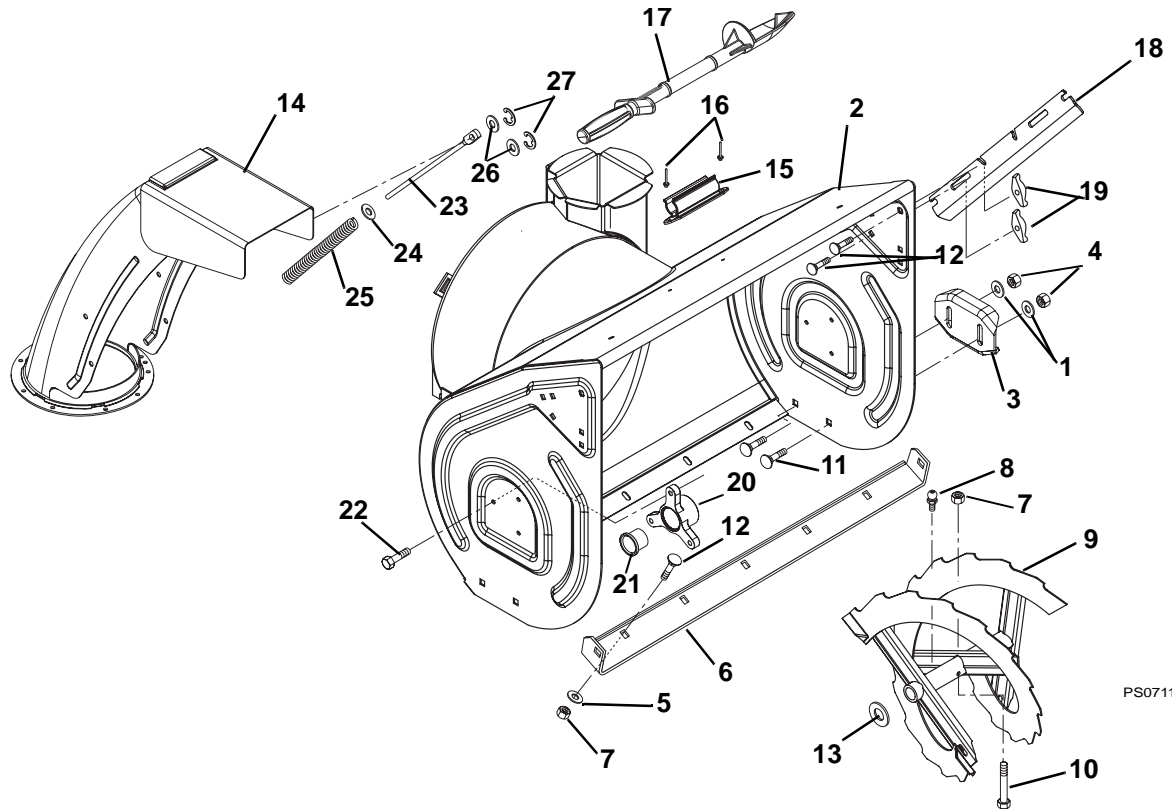


PS0703

Item	Part No.	Qty.	Description
1	07533500	1	Knob, Ball Black 1.47, .38-16
2	03247900	1	Lever, Shift
3	06224400	1	Bolt, Round Head Square Neck .38-16 x 2.50
4	08335700	1	Spring, Compression .13 x .78 x 1.25
5	06435900	1	Washer, Flat Steel .44 x 1.00 x .083
6	06529600	1	Nut, Locking Center .38-16
7	06713500	2	Pin, Hair Internal .08 x .18 x 1.18
8	02492800	1	Rod, Shift-Upper
9	02493000	1	Pivot, Rod
10	00297059	1	Main Frame
11	03233800	2	Plate, Bolt
12	07411600	4	Screw, Tapping .25-20 x .37 Hex Washer Head
13	03232459	1	Cover, Bottom
14	06435700	1	Washer, Flat Steel .38 x .88 x .08
15	06529800	1	Nut, Locking Center .31-18
16	06529200	3	Nut, Hex .31-18
	06529800	1	Nut, Locking Center .31-18
17	03239500	1	Rod, Shift-Lower
18	00289900	1	Belt Finger-Lower
19	06219800	2	Bolt, Round Head Square Neck .25-20 x 1.00 Grade 5
20	06537500	2	Nut, Locking Wing .25-20
21	06220800	1	Bolt-Round Head Square Short Neck .31-18 x .75 Grade 5
22	06307400	3	Washer, Locking .31 x .10 Heavy
	06310500	1	Washer, Locking Internal .31
	06437200	1	Washer, Flat Steel .344 x .688 x .065
23	06441900	1	Washer, Flat Steel .53 x 1.06 x .095
24	07412900	4	Screw, Tapping .38-16 x .50 Hex Washer Head
25	06530200	2	Nut, Locking-Nylon .312-18

# AUGER AND CHUTE

Model 932105, 506

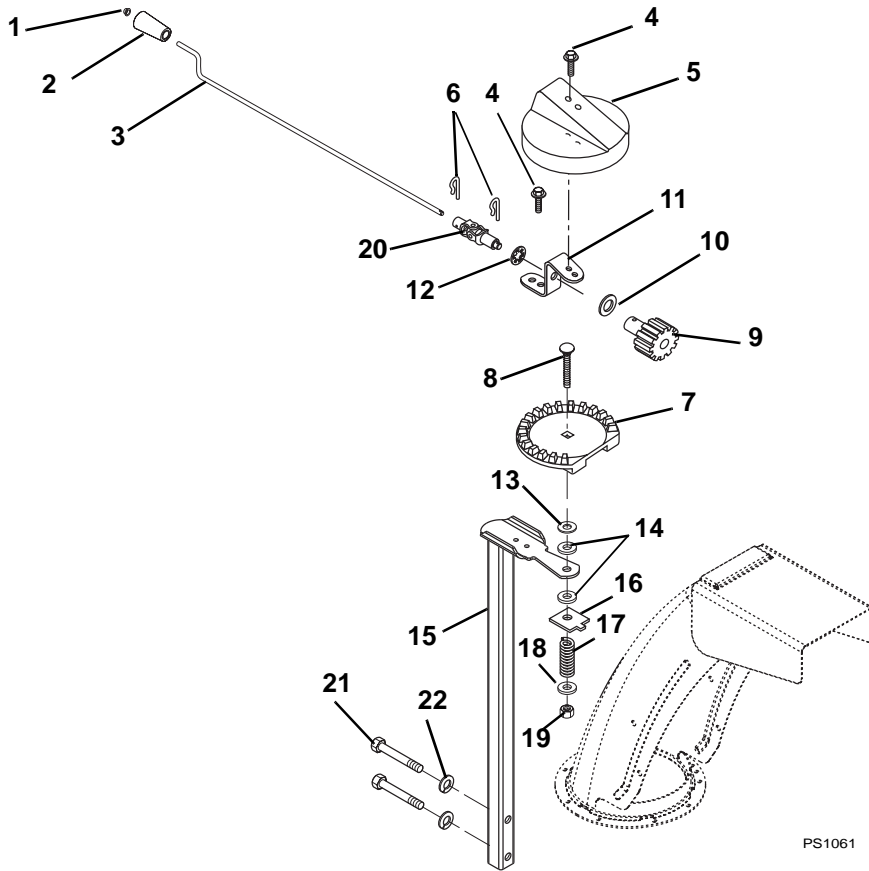


PS0711

Item	Part No.	Qty.	Description
1	06435900	4	Washer, Flat Steel .44 x 1.00 x .083
2	53213500	1	Housing, 26" w/Decal
3	02483859	2	Runner, Double Flange
4	06529600	4	Nut, Locking Center .38-16
5	06435700	5	Washer, Flat Steel .38 x .88 x .083
6	00268659	1	Blade, Scraper 26"
7	06529800	7	Nut, Locking Center .31-18
8	07012600	4	Fitting, Lube .25-28 x .26
9	52421100	1	Rake, Left Hand - 26" (1" I.D. x 15.75" O.D.) (Includes Item 8)
	52421200	1	Rake, Right Hand- 26" (1" I.D. x 15.75" O.D.) (Includes Item 8)
10	51001500	2	Shear Bolt Service Assembly (Includes Item 7)
11	06212000	4	Bolt, Round Head Square Neck .38-16 x 1.00
12	06220800	9	Bolt, Round Head Square Neck .31-18 x .75
13	06436300	2	Washer, Flat Steel 1.01 x 1.51 x .062
14	52420400	1	Chute, Discharge w/Remote
15	00170300	1	Mount, Snow Cleanout
16	06813600	2	Rivit, Pop .187 x .45 Dome
17	00170200	1	Device, Snow Cleanout
18	00262159	2	Cutter, Drift
19	07531700	4	Knob - Wing .31-18
20	00275100	2	Bushing, Rake Shaft 1"
21	05500011	2	Bushing, Flange Split Nyliner 1.0" I.D.
22	07412000	6	Screw, Tapping .25-20 x .50
23	02479800	1	Rod, Chute
24	06437200	1	Washer, Flat Steel .344 x .688 x .065
25	08335200	1	Spring, Compression
26	06437300	2	Washer, Flat Steel .281 x .62 x .065
27	05718500	2	Retaining Ring External .218 x .035

# DISCHARGE CHUTE CRANK

Model 932105, 506

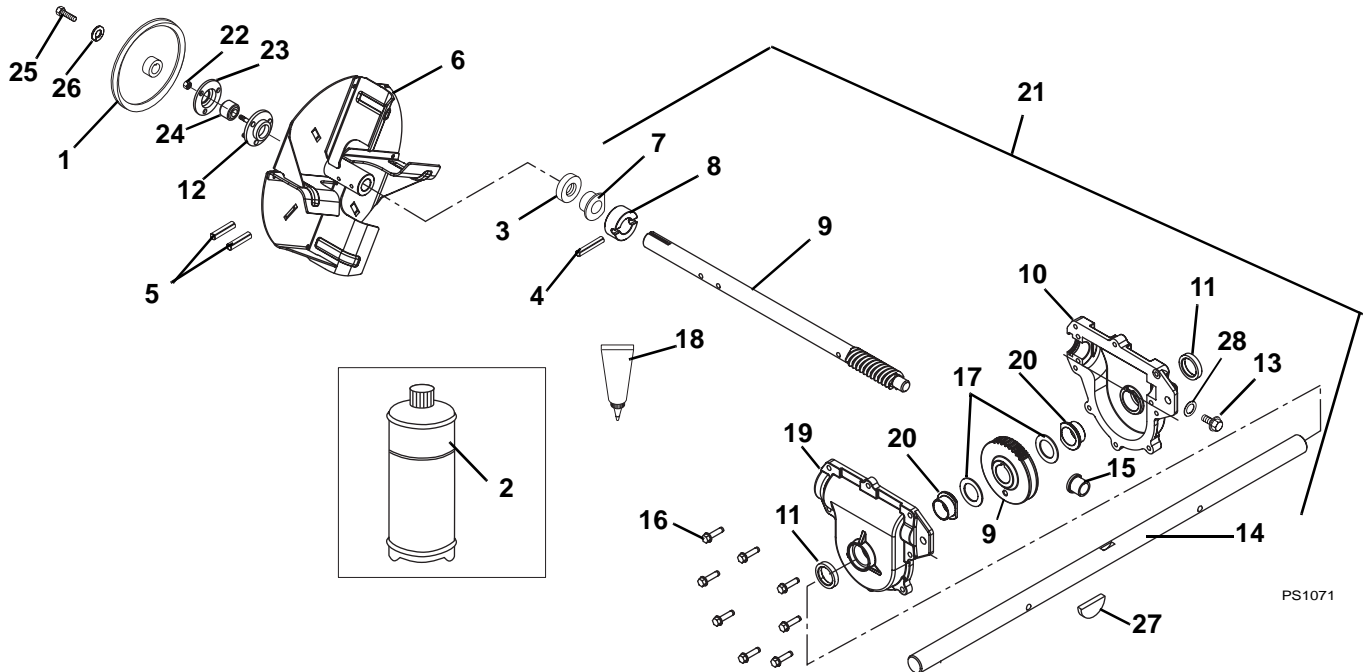


PS1061

Item	Part No.	Qty.	Description
1	01019800	1	Cap, 3/8 Rod
2	07500001	1	Knob, Chute Crank
3	00184600	1	Crank, Chute
4	07412000	4	Screw .25-20 x .50 Hex Washer Head Self Tapping
5	03223000	1	Cover, Gear
6	06714500	2	Pin, Spring Clip
7	03222900	1	Gear, Chute
8	06224400	1	Bolt, Round Head Square Neck .38-16 x 2.50 Grade 5
9	53204400	1	Pinion Gear with Bracket (Contains Items 10-12)
10	06436100	1	Washer, Flat Steel .63 x 1.01 x .062
11	03220551	1	Bracket, Gear
12	03224300	1	Push Nut
13	06439300	1	Washer, Flat Steel .38 x 1.50 x .062
14	01123800	2	Friction Washer
15	00256751	1	Pedestal, Chute Support
16	03219000	1	Friction Plate
17	08320900	1	Spring, Compression .19 x .56 x 1.62
18	06436200	1	Washer, Flat Steel .41 x .81 x .065
19	06529600	1	Nut, Locking Center .38-16
20	02495900	1	Universal Joint
21	05958500	2	Bolt, Hex .38-16 x 1.75
22	06308800	2	Washer, Locking .38 x .094

# GEAR CASE AND IMPELLER

Model 932105, 506

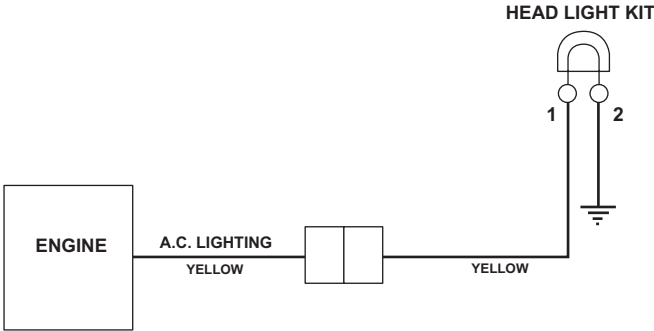
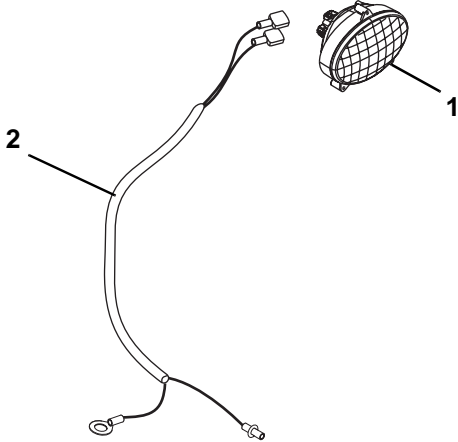


PS1071

Item	Part No.	Qty.	Description
1	00258500	1	Pulley, 4L w/Hub
2	00008000	1	Ariens 16 oz. Bottle of L2 Lube
3	05600001	1	Seal, Oil .875 x 1.375 x .25
4	05806800	1	Pin, Groove .250 x 1.50 Type E
5	05803700	2	Pin, Roll .25 x 1.75
6	00258251	1	Impeller-14" 4 Blade
7	05500008	1	Bushing, Flange .876 x 1.500 x .750
8	00255100	1	Thrust Collar .875 I.D.
9	52419600	1	Assembly, Worm Shaft & Gear
10	00254100	1	Gearcase, Aluminum, LH
11	05618800	2	Seal, Oil 1.00 x 1.38 x .25
12	00301700	1	Bearing Flange
13	07417000	1	Screw, Tapping .38-16 x .75 Roloc
14	00257500	1	Shaft, Rake 26"
15	05500007	1	Bushing, Flange .629 x 1.00 x .750
16	07412400	8	Screw, Tapping .25-20 x 1.00
17	06416600	2	Washer, Hard Thrust 1.01 x 1.54 x .062
18	00031700	1	Loctite Gasket 518
19	00254000	1	Gearcase, Aluminum, RH
20	05520500	2	Bushing, Flange 1.003 x 1.50 x .625
21	53213600	1	Gearcase, Assembly - 26" Aluminum
22	06529700	3	Nut, Locking Center .25-20
23	01014200	1	Bearing Flange
24	05409300	1	Bearing, Ball .880 x 1.750 x .50
25	05900012	1	Bolt, Hex .31-24 x .75 Precote 80
26	06307400	1	Washer, Locking .312 x .097
27	06600800	1	Key, Woodruff .25 x .875 x .375
28	06442500	1	Washer, Fiber .437 x .656 x .032

# ELECTRICAL AND WIRING DIAGRAM

Model 932105, 506



PS0900

Item	Part No.	Qty.	Description
1	02485000	1	Headlamp, Oval with 1156 Bulb
2	00349600	1	Harness, Wire-Light



Ariens Company  
655 West Ryan Street  
P.O. Box 157  
Brillion, WI 54110-0157  
920-756-2141  
Fax 920-756-2407  
[www.ariens.com](http://www.ariens.com)