

ARISTA

Quick Start Guide

Router

AWE-5310
AWE-5510

Arista Networks

www.arista.com

DOC-xxxxx-xx

Headquarters	Support	Sales
5453 Great America Parkway, Santa Clara, CA 95054 USA +1-408 547-5500	+1-408 547-5502 +1-866 476-0000	+1-408 547-5501 +1-866 497-0000
https://www.arista.com/en/	mailto:support@arista.com	mailto:support@arista.com

© Copyright 2023 Arista Networks, Inc. All rights reserved. The information contained herein is subject to change without notice. The trademarks, logos and service marks ("Marks") displayed in this documentation are the property of Arista Networks in the United States and other countries. Use of the Marks are subject to Arista Network Term of Use Policy, available at <https://www.arista.com/en/terms-of-use>. Use of marks belonging to other parties is for informational purposes only.

Contents

Chapter 1: Overview.....	1
1.1 Scope.....	1
1.2 Intended Audience.....	1
1.3 Receiving and Inspecting the Equipment.....	1
1.4 Installation Process.....	1
1.5 Safety Information.....	2
1.6 Obtaining Technical Assistance.....	2
1.7 Product and Documentation Updates.....	2
Chapter 2: Specifications.....	3
Chapter 3: Preparation.....	5
3.1 Site Selection.....	5
3.2 Tools and Parts Required for Installation.....	5
3.3 Electrostatic Discharge (ESD) Precautions.....	6
Chapter 4: Mounting the Router.....	7
4.1 Four-Post Rack Mount.....	7
4.1.1 Attaching Mounting Brackets to the Chassis - 4 post.....	7
4.1.2 Removing the Mounting Bracket from the Chassis.....	8
4.2 Two-Post Rack Mount (Optional).....	8
4.2.1 Attaching Mounting Brackets to the Chassis.....	8
4.2.2 Inserting the Router into the Rack.....	9
Chapter 5: LED Status Indicators.....	11
Chapter 6: Parts List.....	13
Chapter 7: Front Panel.....	15
7.1 AWE-5310.....	15
7.2 AWE-5510.....	16
Chapter 8: Rear Panel.....	17
8.1 AWE-5310.....	17
8.2 AWE-5510.....	18
Chapter 9: Regulatory Model Numbers.....	19
Appendix A: EMC Class A Notices and Warnings.....	21

Overview

This Quick Start Guide (QSG) describes the specifications and installation details of the Arista Router.

This chapter includes the following topics:

- [Scope](#)
- [Intended Audience](#)
- [Receiving and Inspecting the Equipment](#)
- [Installation Process](#)
- [Safety Information](#)
- [Obtaining Technical Assistance](#)
- [Product and Documentation Updates](#)

1.1 Scope

This guide is intended for properly trained service personnel and technicians in necessary to install the following Arista Router.

This includes the following products:

- AWE-5310
- AWE-5510

1.2 Intended Audience

This guide can be referred to any qualified person who would like to install the device.



Note: Only qualified personnel should install, service, or replace this equipment.

Seul le personnel qualifié doit installer, service, ou remplacer cet équipement.

1.3 Receiving and Inspecting the Equipment

Upon receiving the router, inspect the shipping boxes and record any external damage. Retain packing materials if you suspect that part of the shipment is damaged; the carrier may need to inspect them.

If the boxes were not damaged in transit, unpack them carefully. Ensure that you do not discard any accessories that may be packaged in the same box as the main unit.

Inspect the packing list and confirm that you received all listed items. Compare the packing list with your purchase order. Parts List provides a list of components included with the router.

1.4 Installation Process

The following steps are to be followed to install and usage of the router:

1. Select and prepare the installation site.
2. Assemble the installation tools listed.
3. Attach the mounting brackets and install the router in an equipment rack.
4. Connect the router to the power source and network devices.
5. Configure the router.

1.5 Safety Information

Refer to the Arista Networks document Safety Information and Translated Safety Warnings available at <https://www.arista.com/en/support/product-documentation>

1.6 Obtaining Technical Assistance

Any customer, partner, reseller or distributor holding a valid Arista Service Contract can obtain technical support in any of the following ways:

- **Email:** *support@arista.com*. This is the easiest way to create a new service request.

Include a detailed description of the problem and the output of “show tech-support”.

- **Web:** <https://www.arista.com/en/support>

A support case may be created through the support portal on our website. You may also download the most current software and documentation, as well as view FAQs, Knowledge Base articles, Security Advisories, and Field Notices.

- **Phone:** +1 866-476-0000 or +1 408-547-5502.

1.7 Product and Documentation Updates

To receive important news on product updates, please visit our website at <https://www.arista.com/en/support/product-documentation>. We continuously enhance our product documentation based on customer feedback.

Specifications

This section lists the specifications of Arista Routers described in this guide.

Table 1: Dimensions and Weights

Router	Size (W x H x D)	Weight
AWE-5310	440 x 43.5 x 430 (mm) 17.32 x 1.71 x 16.92 (inches)	9.3 (kg) 20.5 (lbs)
AWE-5510	440 x 88 x 520 (mm) 17.32 x 3.46 x 20.47 (inches)	13.6 (kg) 29.98 (lbs)

Table 2: Operating and Storage Temperature

Router			Operating Altitude	Relative Humidity
	Operating Temperature	Storage Temperature		
AWE-5310	0 to 40°C (32° to 104°F)	-25 to 70°C (-13 to 158F)	0 to 3,000 meters (0 to 10,000 feet)	5 to 95% (non-condensing)
AWE-5510	0 to 40°C (32° to 104°F)	-25 to 70°C (-13 to 158F)	0 to 3,000 meters (0 to 10,000 feet)	5 to 95% (non-condensing)

Table 3: Power Ratings

Router	Input Power Rating
AWE-5310	100 - 240VAC, 8 - 4A, 50/60 Hz
AWE-5510	100 - 240VAC, 10 - 5A, 50/60 Hz

Table 4: System Configurations

Router	Downlink Ports	Uplink Ports	Airflow	Power Supply	Fan
AWE-5310	4x10G/1G RJ45	4x10G/1G SFP+	Front to rear	2	4+1
AWE-5510	N/A	16x10G/1G SFP+	Front to rear	2	3+1

Preparation

This chapter describes the initial setup and preparation for installing the router.

This chapter includes the following topics:

- [Site Selection](#)
- [Tools and Parts Required for Installation](#)
- [Electrostatic Discharge \(ESD\) Precautions](#)

3.1 Site Selection

The following criteria should be considered when selecting a site to install the router:

- **Temperature and Ventilation:** For proper ventilation, install the router where there is ample airflow to the front and back of the router. The ambient temperature should not go below 0° or exceed 40°C.



Note: To prevent the router from overheating, do not operate it in an area where the ambient temperature exceeds 40°C (104°F).

- **Rack Space:** Install the router in a rack or cabinet. The router height is 1.74". The accessory kit provides necessary equipment such as mounting brackets and screws required for the installation.

When mounting the router in a partially filled rack, load the rack from bottom to top, with the heaviest equipment at the bottom. Load the router at the bottom if it is the only item in the rack.

- **Power Requirements:** Power requirements vary by router and power supply model. Refer to [Table 3: Power Ratings](#) and for information regarding your specific system.



Note: The power input plug-socket combination must be accessible at all times; it provides the primary method of disconnecting power from the system.

- **Other Requirements:** Select a site where liquids or objects cannot fall onto the equipment and foreign objects are not drawn into the ventilation holes. Verify the following guidelines are met:
 - Clearance areas to the front and rear panels allow for unrestricted cabling.
 - All front and rear panel indicators can be easily read.
 - Power cords can reach from the power outlet to the connector on the rear panel.



Note: All power connections must be removed to de-energize the unit.

3.2 Tools and Parts Required for Installation

Each router provides an accessory kit that contains parts that are required to install the router. In addition to the accessory kit, the following tools and equipment are required to install the router:

Additional Tools

- Screwdriver
- Screws or rack mounting nuts and bolts

3.3 Electrostatic Discharge (ESD) Precautions

Observe these guidelines to avoid ESD damage when installing or servicing the router.

- Assemble or disassemble equipment only in a static-free work area.
- Use a conductive work surface (such as an anti-static mat) to dissipate static charge.
- Wear a conductive wrist strap to dissipate static charge accumulation.
- Minimize handling of assemblies and components.
- Keep replacement parts in their original static-free packaging.
- Remove all plastic, foam, vinyl, paper, and other static-generating materials from the work area.
- Use tools that do not create ESD.

Mounting the Router

This chapter provides the instructions to mount the router.

This chapter includes the following topics:

- [Four-Post Rack Mount](#)
- [Two-Post Rack Mount \(Optional\)](#)

4.1 Four-Post Rack Mount

This section describes instructions for four-post rack mounting the router.

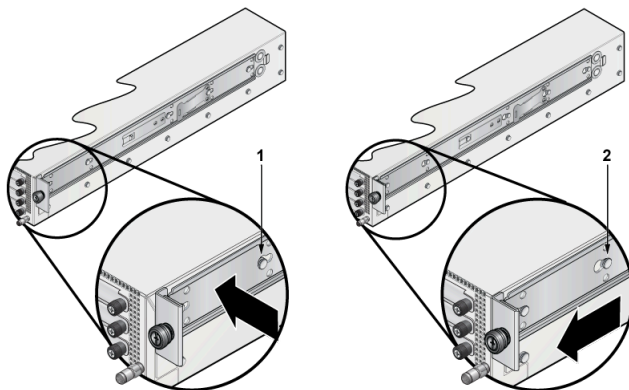
To mount the router in a rack, you need to assemble the mounting brackets to the chassis, then attach the brackets to the rack posts. It includes:

- [Attaching Mounting Brackets to the Chassis - 4 post](#)
- [Removing the Mounting Bracket from the Chassis](#)

4.1.1 Attaching Mounting Brackets to the Chassis - 4 post

This section describes the steps to attach mounting brackets to the router chassis.

Figure 1: Attaching the Mounting Brackets



1	Bracket clip before it is locked in place
2	Bracket clip locked in place



Note: Ensure that there is about 1U rack spacing between the two devices on the rack.

1. Align the mounting brackets with the attachment pins.
2. Place the bracket flush to the chassis with the attachment pins protruding through the key-openings.
3. Slide the bracket toward the front flange until the bracket clip locks (with an audible click).

4.1.2 Removing the Mounting Bracket from the Chassis

This section describes the steps to remove the mounting brackets from the router chassis.

1. Lift the front edge of the mounting bracket clip with a flathead screwdriver.
2. Slide the bracket away from the front flange (opposite from the installation direction).

4.2 Two-Post Rack Mount (Optional)

This section describes instructions for two-post rack mounting the router.

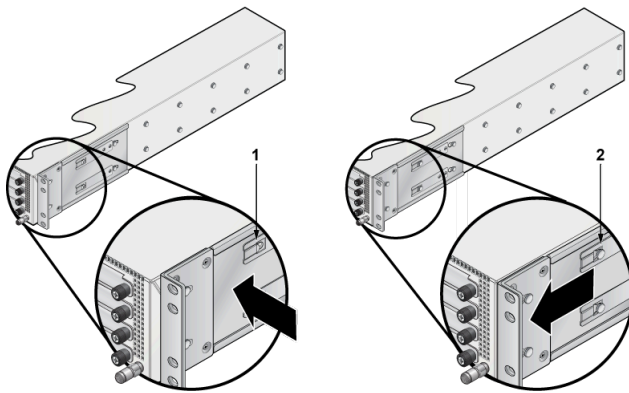
To mount the router in a rack, you need to assemble the mounting brackets to the chassis, then attach the brackets to the rack posts. It includes:

- [Attaching Mounting Brackets to the Chassis](#)
- [Inserting the Router into the Rack](#)

4.2.1 Attaching Mounting Brackets to the Chassis

This section describes the steps to attach mounting brackets to the router chassis.

Figure 2: Attaching the Mounting Brackets



1	Bracket clip installation
2	Bracket clip removal



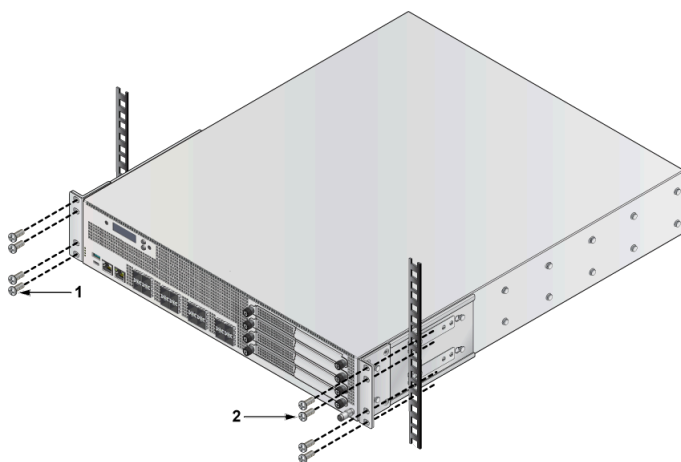
Note: Ensure that there is about 1U rack spacing between the two devices on the rack.

1. Position the bracket by aligning with the chassis holes on both the sides of the router and fix it with flat head screws.
2. Secure the mounting brackets firmly to the router.

4.2.2 Inserting the Router into the Rack

This section describes the steps to insert the router into the rack.

Figure 3: Inserting the Router into the Rack



1	Screws attaching chassis securely to rack
2	Screws attaching chassis securely to rack



Note: For thermal purposes, make sure that there is 1RU clearance above the rack mount bracket.

1. Lift the chassis, attached with brackets, into the rack.
2. Place the router into the rack by aligning with the holes of the mounting bracket.
3. Position the flanges against the rack posts.
4. Attach the bracket flanges to the rack posts.

LED Status Indicators

This section describes the front panel LED status of the device.

Table 5: LED Status Indicators

LED Name	LED State	Device Status
System Status LED	Off	No power or in the midst of a power cycle.
	Blinking Green	System is powering up.
	Green	The system is operating in a normal initialization sequence. Normal operations.
	Blue	The locator function is active.
	Amber	System is malfunctioning. System is overheating or temperature sensors have recorded passing the SW defined critical threshold. The device will automatically execute a “graceful shutdown” shortly.
Cloud Connect Status LED	Off	Not connected to the cloud.
	Green	System is connected to the cloud.
	Amber	Problem connecting to the cloud.
Fan Status LED	Green	All fan modules are operating normally.
	Amber	Single fan module is malfunctioning.
Power Supply Status LED	Off	Power supply unit is not available.
	Green	Power supply unit is fully functional.
	Amber	Power supply unit has a fault.

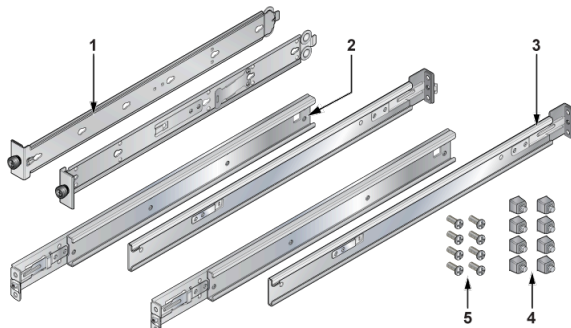
Parts List

Each router provides an accessory kit that contains parts that are required to install the router. This section lists the installation parts contained in the router accessory kit.

Default Accessories

The following accessories are available along with the router box:

- Four-post rack mount kit

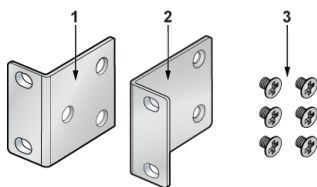


- Console Cables
 - RJ45 ethernet cable
 - Console cable
- Power cable (specified during time of purchase as it's country specific or no power cord)

Optional Accessories

The following are the optional accessories:

- Two-post rack mount kit



SKU and Product Details

The following are the list of SKU numbers related to the respective product.

Table 6: SKU and Product Details

SKU	Product Description
AWE-5310	Arista 5310, 4x10G/1G RJ45, 4x10G/1G SFP+ router, front to rear air, 48W AC Arista 5310, 4x RJ45 (w/2x Fail to Wire) 4x10G SFP+, 2 NIM slots, front to rear air, 2 550W AC
AWE-5510	Arista 5510, 8x SFP+ 10G, 8x SFP+ 10G Enhanced, 4 NIM slots, front to rear air, 2 800W AC

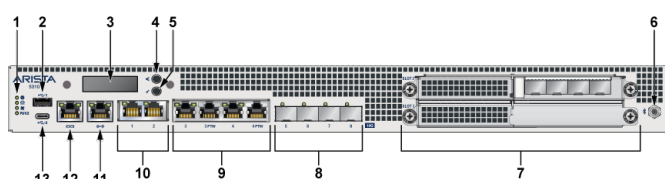
Front Panel

This section describes the front panel of each router.

7.1 AWE-5310

The AWE-5310 front panel includes the following key components:

Figure 4: AWE-5310 Front Panel

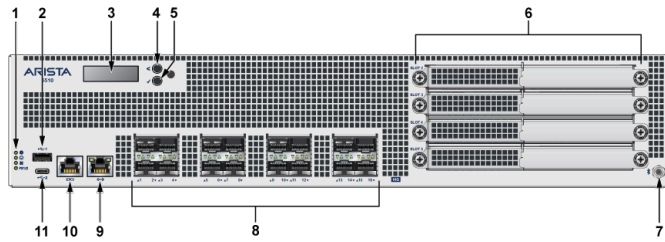


1	System status LEDs
2	USB port Type-A
3	LCD Panel
4	LCD Upper Button
5	LCD Lower Button
6	SMA Connector
7	2xLFF OCP NIC 3.0 slot
8	4x10G SFP+ ports
9	4x1G/10G RJ45 (2 ports support FTW)
10	2x1G/10G RJ45
11	RJ45 ethernet management port
12	Console port
13	USB port Type-C

7.2 AWE-5510

The AWE-5510 front panel includes the following key components:

Figure 5: AWE-5510 Front Panel



1	System status LEDs
2	USB port Type-A
3	LCD Panel
4	LCD Upper Button
5	LCD Lower Button
6	4xLFF OCP NIC 3.0 slot
7	SMA Connector
8	16x10G SFP+ ports
9	RJ45 ethernet management port
10	Console port
11	USB port Type-C

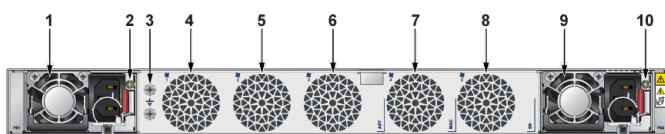
Rear Panel

The section describes the rear panel of each router.

8.1 AWE-5310

The AWE-5310 rear panel includes the following key components:

Figure 6: AWE-5310 Rear Panel

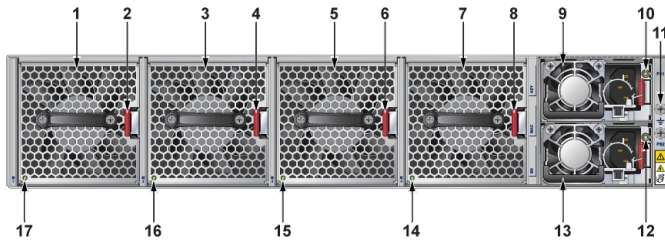


1	Power Supply1 (PS1)
2	PS1 LED
3	Earth grounding point
4	Fan 1
5	Fan 2
6	Fan 3
7	Fan 4
8	Fan 5
9	Power Supply2 (PS2)
10	PS2 LED

8.2 AWE-5510

The AWE-5510 rear panel includes the following key components:

Figure 7: AWE-5510 Rear Panel



1	Fan Module 1
2	Fan Module Latch
3	Fan Module 2
4	Fan Module Latch
5	Fan Module 3
6	Fan Module Latch
7	Fan Module 4
8	Fan Module Latch
9	Power Supply1 (PS1)
10	PS1 LED
11	Earth grounding point
12	PS2 LED
13	Power Supply2 (PS2)
14	Fan Status LED
15	Fan Status LED
16	Fan Status LED
17	Fan Status LED

Regulatory Model Numbers

This section lists the Regulatory Model Numbers (RMNs) of the routers described in this document.

Table 7: RMNs

SKU Number	Regulatory Model Number (RMN)
AWE-5310	AN1791
AWE-5510	AN1792

EMC Class A Notices and Warnings

Refer to the following sections for detailed EMC Class A Notices and Warnings.

Traditional Chinese Class A EMC Statement (Taiwan)

警告使用者
此為甲類資訊技術設備，於居住環境中使用時，可能
會造成射頻擾動，在此種情況下，使用者會被要求
採取某些適當的對策。

Federal Communication Commission Interference Statement

This equipment has been tested and found to comply with the limits for a Class A digital device, pursuant to part 15 of the FCC Rules. These limits are designed to provide reasonable protection against harmful interference when the equipment is operated in a commercial environment. This equipment generates, uses, and can radiate radio frequency energy and, if not installed and used in accordance with the instruction manual, may cause harmful interference to radio communications. Operation of this equipment in a residential area is likely to cause harmful interference in which case the user will be required to correct the interference at his own expense.

FCC Caution: Any changes or modifications not expressly approved by the party responsible for compliance could void the user's authority to operate this equipment.

This transmitter must not be co-located or operating in conjunction with any other antenna or transmitter.

Radiation Exposure Statement:

This equipment complies with FCC radiation exposure limits set forth for an uncontrolled environment. This equipment should be installed and operated with minimum distance 20cm between the radiator & your body.

Canada Statement

This device complies with ISED's licence-exempt RSSs. Operation is subject to the following two conditions: (1) This device may not cause harmful interference, and (2) this device must accept any interference received, including interference that may cause undesired operation.

Le présent appareil est conforme aux CNR d'ISED applicables aux appareils radio exempts de licence. L'exploitation est autorisée aux deux conditions suivantes : (1) le dispositif ne doit pas produire de brouillage préjudiciable, et (2) ce dispositif doit accepter tout brouillage reçu, y compris un brouillage susceptible de provoquer un fonctionnement indésirable.

Radiation Exposure Statement: This equipment complies with ISED radiation exposure limits set forth for an uncontrolled environment. This equipment should be installed and operated with greater than 20cm between the radiator & your body.

Déclaration d'exposition aux radiations: Cet équipement est conforme aux limites d'exposition aux rayonnements ISED établies pour un environnement non contrôlé. Cet équipement doit être installé et utilisé à plus de 20cm entre le radiateur et votre corps.

Class A (Korean) Statement

This equipment has KC approval to be used in business environments, and if used in a home environment, there is a risk of radio wave interference.

이 기기는 전파의 간섭을 방지하기 위하여 KC 인증을 받았습니다. 이 기기는 가정에서 사용할 때는 다른 무선 기기의 사용에 영향을 줄 수 있습니다.

Traditional Chinese Statement

For low-power radio frequency equipment that has obtained certification, companies, firms, or users are not allowed to change the frequency, increase the power, or change the characteristics and functions of the original design without approval. The use of low-power radio-frequency equipment must not affect flight safety and interfere with legal communications; if any interference is found, it should be stopped immediately, and it can only be used after improvement until there is no interference. The aforementioned legal communication refers to radio communication operated in accordance with the provisions of the Telecommunications Management Act. Low-power radio frequency equipment must endure the interference of legal communication or industrial, scientific and medical radio wave radiation electrical equipment.

取得審驗證明之低功率射頻器材，非經核准，公司、商號或使用者均不得擅自變更頻率、加大功率或變更原設計之特性及功能。低功率射頻器材之使用不得影響飛航安全及干擾合法通信；經發現有干擾現象時，應立即停用，並改善至無干擾時方得繼續使用。前述合法通信，指依電信管理法規定作業之無線電通信。低功率射頻器材須忍受合法通信或工業、科學及醫療用電波輻射性電機設備之干擾。

Brazil Statement

This equipment is not entitled to protection against harmful interference and must not cause interference to properly authorized systems.

For more information, see the ANATEL website - <http://www.anatel.gov.br>

This product is not suitable for use in home environments, as it may cause electromagnetic interference that forces the user to take necessary measures to minimize this interference

Este equipamento não tem direito à proteção contra interferência prejudicial e não pode causar interferência em sistemas devidamente autorizados.

Para maiores informações, consulte o site da ANATEL – www.anatel.gov.br

Este produto não é apropriado para uso em ambientes domésticos, pois poderá causar interferências eletromagnéticas que obrigam o usuário a tomar medidas necessárias para minimizar estas interferências.

Mexico Statement

Operation of this equipment is subject to the following two conditions: (1) this equipment or device may not cause harmful interference, and (2) this equipment or device must accept any interference, including interference that may cause undesired operation.

Declaración para México

La operación de este equipo está sujeta a las siguientes dos condiciones: (1) es posible que este equipo o dispositivo no cause interferencia perjudicial y (2) este equipo o dispositivo debe aceptar cualquier interferencia, incluyendo la que pueda causar su operación no deseada.

Class A Notice for EU

Warning: Operation of this equipment in a residential environment could cause radio interference.

This device complies with Directive 2014/53/EU and UK Radio Equipment Regulations 2017 SI 2017/1206. issued by the Commission of the European Community.

- Declaration of Conformity

Please added certification standard in your user manual which depended on the test standards your device performed. or

- If the DoC should be a simplified version, please take below as reference –

Hereby, [Name of manufacturer] declares that the radio equipment type [designation of type of radio equipment] is in compliance with Directive 2014/53/EU and UK Radio Equipment Regulations 2017 SI 2017/1206.

The full text of the EU declaration of conformity is available at the following internet address:

The frequency and maximum transmitted power in EU are listed as bellows:

2400 - 2500 MHz

VCCI Class A Warning for Japan

この装置は、クラスA機器です。この装置を住宅環境で使用すると電波妨害を引き起こすことがあります。この場合には使用者が適切な対策を講ずるよう要求されることがあります。

VCCI – A