

# FH 527 IX

## 60cm Built In Oven



### 60cm 5 Function Built In Oven

---

#### Features and Benefits:

<b>5 Cooking Functions</b>	Grill, Gratin, Multi Level, Top Heating, Traditional
<b>Glass Inner Door</b>	No crevasses for food to get trapped in so it's easier to clean
<b>Anti Touch Stainless Steel</b>	Easy clean stainless steel finish, and Fingerprint resistant finish
<b>Minute Minder</b>	Keeping an eye on your food, all you have to do is set the number of minutes and the timer will sound when your dish is cooked

---

**Distributed by Arisit Pty Ltd**

40-44 Mark Anthony Drive, Dandenong South VIC 3175 Ph: 1300 762 219 Fax: 03 9768 0838 Website: [www.arisit.com](http://www.arisit.com)

1A Howe Street, Newton, Auckland NZ 1145

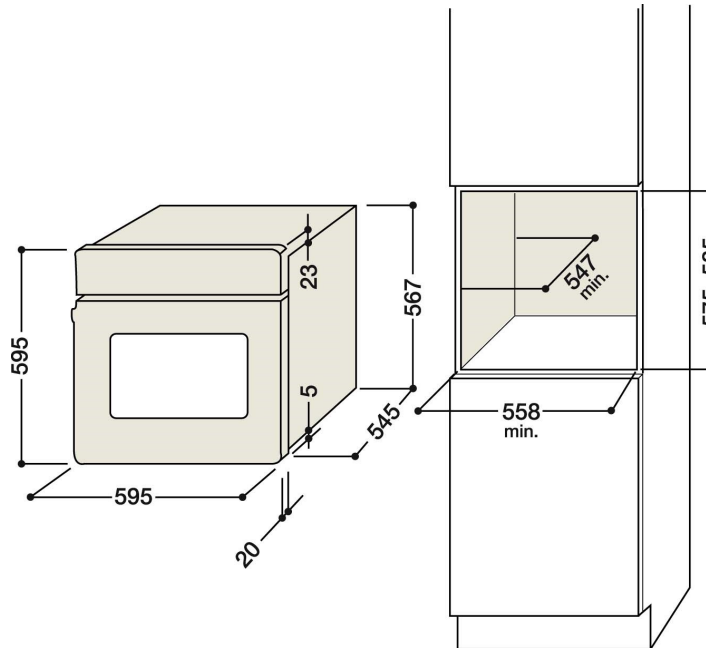
Ph:(09) 306 1020 Fax: (09) 302 0077

# FH 527 IX

## 60cm Built In Oven



 **ARISTON**



### Technical Specifications:

No. Functions	5
Oven Capacity (Gross)	66L
Timer	End Of Cooking Timer
No. Door Glass	2
Cleaning	Manual
Finish	Stainless Steel
Dimensions (W) x (H) x (D)	59.5 x 59.5 x 54.5

Technical	
Accessories	1 x tray, 2 x grids
Cooling Fan	Y
Absorbed Power	2250W
Connection	220/240V/50/60Hz/9.78A

WARNING: technical specifications and product sizes can be varied by the manufacturer, without notice. Cut outs for appliances should only be by physical product measurements. The above information is indicative only.

**Distributed by Arisit Pty Ltd**

40-44 Mark Anthony Drive, Dandenong South VIC 3175 Ph: 1300 762 219 Fax: 03 9768 0838 Website: [www.arisit.com](http://www.arisit.com)

1A Howe Street, Newton, Auckland NZ 1145

Ph:(09) 306 1020 Fax: (09) 302 0077