



**sewoo**

**SEWOO TECH CO., LTD.**

374-2, Gajang-dong, Osan-si, Gyeonggi-do, 447-210, Korea  
TEL : +82-31-459-8200 FAX : +82-31-459-8880  
[www.miniprinter.com](http://www.miniprinter.com)

Rev. 01 07/12



**MODEL : LK-P12W**

**USER'S MANUAL**



All specifications are subject to change without notice



**RISK OF EXPLOSION IF BATTERY IS REPLACED BY AN INCORRECT TYPE.  
DISPOSE OF USED BATTERIES ACCORDING TO THE INSTRUCTION**



**Disposal of Old Electrical&Electronic Equipment(Applicable in the European Union and other European countries with separate collection systems)**

This symbol on the product or on its packaging indicates that this product shall not be treated as household waste.

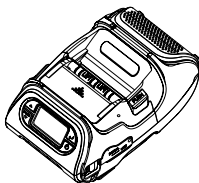
Instead it shall be handed over to the applicable collection point for the recycling of electrical and electronics equipment. For more detailed information about recycling of this product, please contact your local city office, your household waste disposal service or the shop where you purchased the product.

## Table of Contents

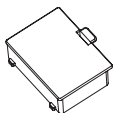
|                                 |    |
|---------------------------------|----|
| 1. Unpacking                    | 2  |
| 2. Product overview             | 3  |
| 3. Installation & Usage         | 4  |
| 3-1. Display                    | 4  |
| 3-2. Installing the Battery     | 5  |
| 3-3. Removing the Battery       | 6  |
| 3-4. Charging the Battery       | 7  |
| 3-5. Stock Installation         | 8  |
| 3-6. Peel Mode                  | 9  |
| 3-7. Diagnostic Test            | 11 |
| 4. Peripherals Connection       | 13 |
| 4-1. Wifi(802.11b/g) Connection | 13 |
| 4-2. Interface Cable Connection | 14 |
| 5. Printer Cleaning             | 15 |
| 5-1. PrintHead Cleaning         | 15 |
| 5-2. Platen Roller Cleaning     | 16 |
| 6. Printer Specification        | 17 |
| 6-1. Specification              | 17 |
| 7. CPCL Command Compatibility   | 19 |

# 1. Unpacking

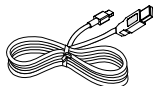
## Standard



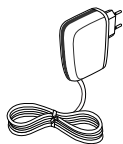
Printer



Battery



USB Cable



Recharger

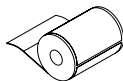


CD

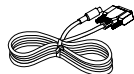


Quick Reference

## Optional



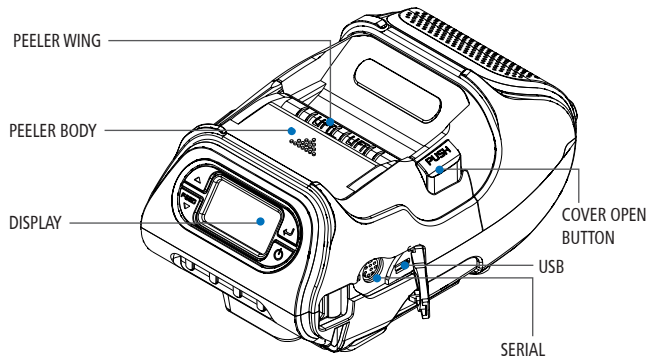
Paper



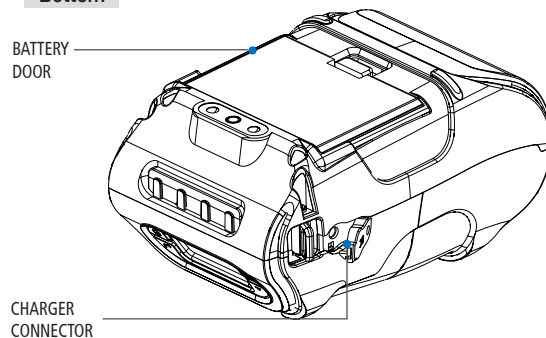
Serial cable

# 2. Product overview

## Front

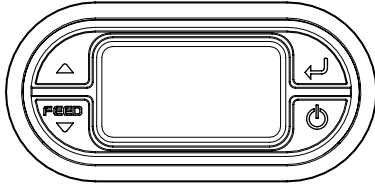






## Bottom



## 3. Setting Up the Product

### 3-1. Display

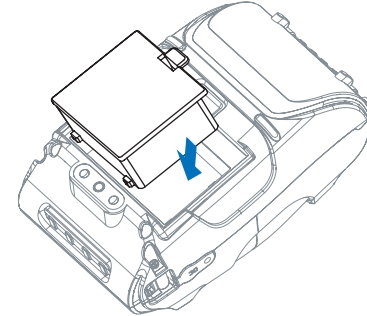


| Button  | Name                       | function  |
|---|----------------------------|---|
|  | Paper Feed/<br>Down button | Advances the supply. Clears error message.<br>Moves down through menu options.  |
|  | Enter button               | Selects the highlighted menu option.  |
|  | Up button                  | Moves up through menu options.  |
|  | Power button               | Turns the printer on and off. Press to turn power on. Press for three seconds to turn power off. Wakes the printer from sleep mode. |

#### NOTE

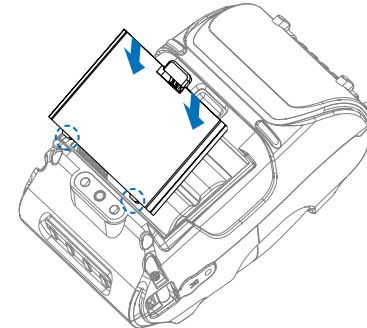
1. The battery status LEDs indicate amount of power remaining. Actual run-time remaining depends on factors such as the contents of output, distance to computer, etc.
2. When the battery level is very low, high density printing can result in the printer switching off during printing resulting in possible loss of data.

### 3-2. Installing the Battery



Remove the battery door. Insert the battery as shown.

1  
2

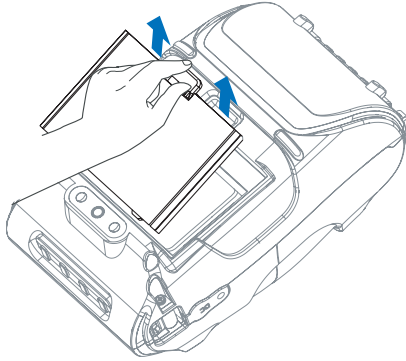


Replace the battery door.

#### NOTE

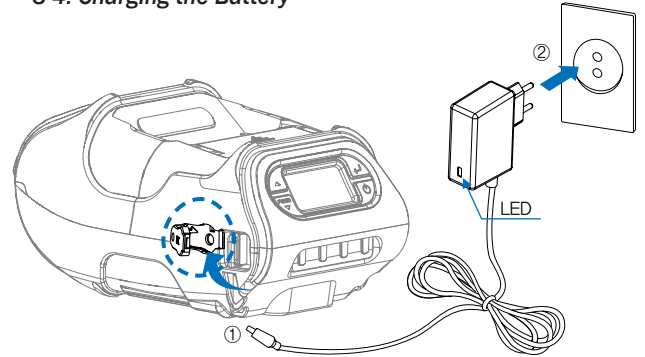
You must fully charge the battery when you receive the printer. Batteries can be charged in the printer or in an optional external cradle

### 3-3. Removing the Battery



Remove the battery door. Lift out the battery.

### 3-4. Charging the Battery



1. Turn off the printer.
2. Be sure that the AC plug is correct.  
If AC plug is wrong, change the plug to the correct one.
3. Open the DC jack by pulling on the rubber cover and insert DC jack into the printer.
4. Plug the AC plug into an electrical outlet.
5. The charge indicator LED (located on the AC charger as shown) shows red or green according to the status.

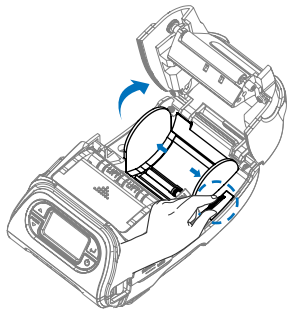
#### 3-4-1 The status of lamp in charging

| Status        | charging | charging complete |
|---------------|----------|-------------------|
| Charging Lamp | Red      | Green             |

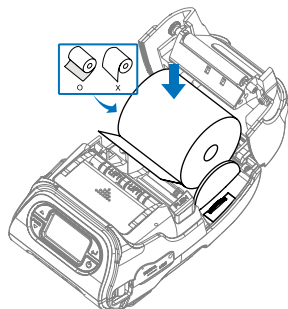
#### NOTE

If there is trouble while charging the battery, the charge indicator LED blinks green. Try unplugging and reconnecting charger, charging should resume. Charging is complete when the LED changes to solid green.

### 3-5. Stock Installation

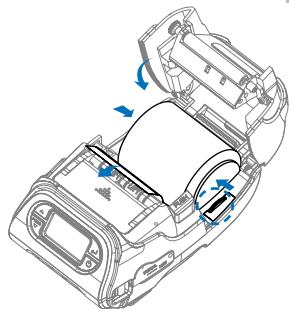


Open the Paper cover by pressing the Open button and set the width of paper guide by turning the knob with finger.

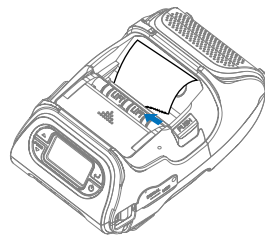


Put the stock in so it unrolls from the bottom. Remove the stock core when it is empty. Pull a short length of stock out of the printer.

1 2  
3 4



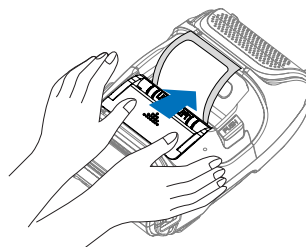
Close the cover.



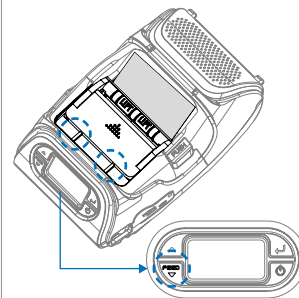
Press the Feed Key once to arrange the paper.

### 3-6. Peel Mode

#### Peel Mode



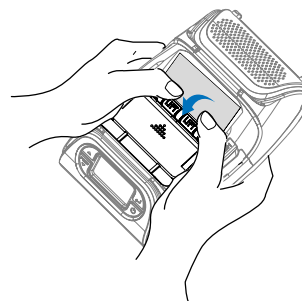
With a roll of stock installed, slide the peeler body towards the back of the printer.



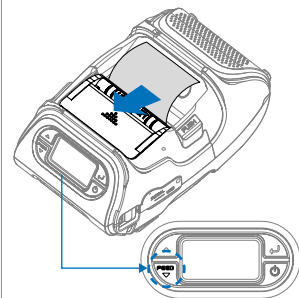
Press the feed button.

1 2  
1 2

#### Non-Peel Mode



Lift the peeler wing and slide the peeler body towards the front of the printer.

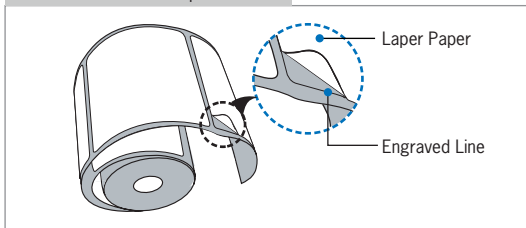


Press the feed button.

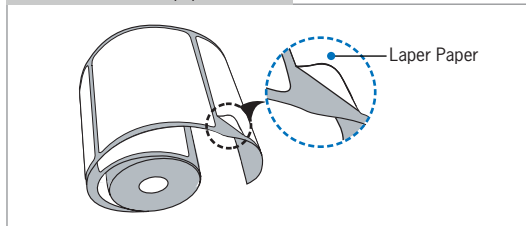


While Peeler mode is "On", perhaps engraved lines of the label paper are cut too deep, peeling error might occur.

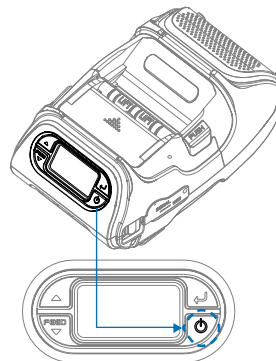
#### Badness Paper



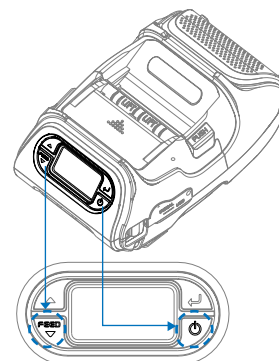
#### Normal paper



### 3-7. Diagnostic Test



Turn off the printer.

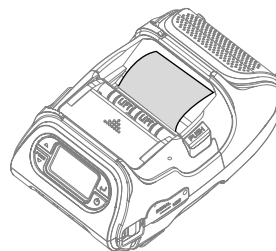


Press and hold the feed button and power button.

1  
2  
3

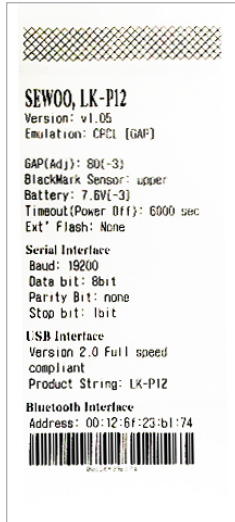
#### NOTE

1. For Hex Dump mode, do steps 1-2 then press the feed button.
2. After printing ASCII pattern, the diagnostic test is complete.
3. If the feed button is not pressed to go to Hex Dump mode, the printer exits diagnostics after three seconds.



The information label prints.

#### The sample of self test printout



Upon initial installation or for troubleshooting, you can run the diagnostic test to get information about:

Firmware version, emulation, codepage, sensor settings, interface settings, etc.  
If no issues are found with diagnostic test, examine other devices and software.  
The diagnostic test is working independent of devices and software.

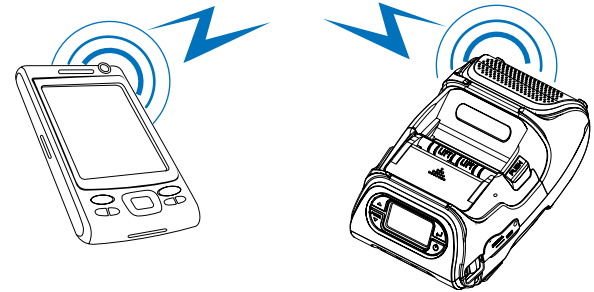
#### ● Do not overheat the motor

To prevent the motor from overheating, stop the printer for at least 30 seconds after continuously printing 1.5 meters.

## 4. Peripherals Connection

This printer can communicate with other devices via Wifi(802.11b/g) communication and cable.

### 4-1 Wifi(802.11b/g) Connection



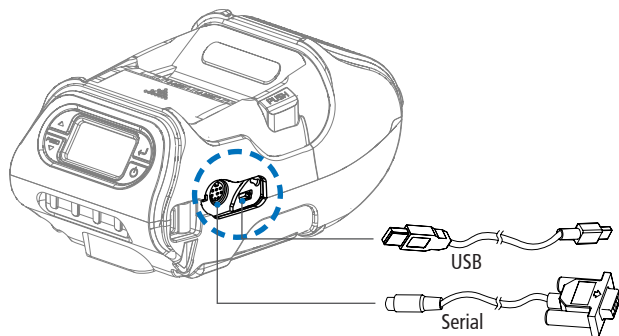
1. The Printer can be connected to devices equipped with wifi(802.11b/g) communication capacity (PDAs, PCs, etc.)
2. Use the wifi(802.11b/g) connection function supported by the device to connect to the printer.

#### ✔ NOTE

Refer to the wifi(802.11b/g) Manual for more details on connection.



## 4-2. Interface Cable Connection



1. Connect the USB or Serial cable to the cable connector on the printer.

### NOTE

Use only the cables offered by the printer manufacturer.

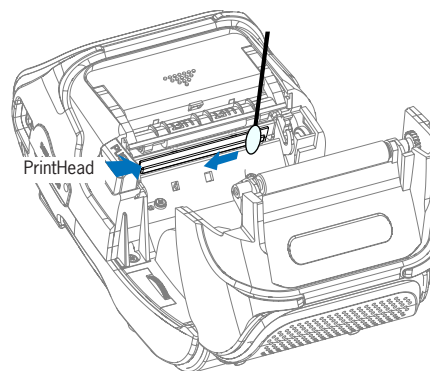
2. Connect the interface cable into the USB or Serial port of the device (PDA, PC, etc.)

## 5. Printer cleaning

If the interior of the printer is dusty, printing quality can be lowered. In this case, follow the instructions below to clean the printer.

### 5-1. PrintHead Cleaning

1. Use an applicator swab moistened with an isopropyl alcohol to clean the print head and remove any dust.
2. Once cleaning is complete, allow the printer to dry then install the stock and close the cover.

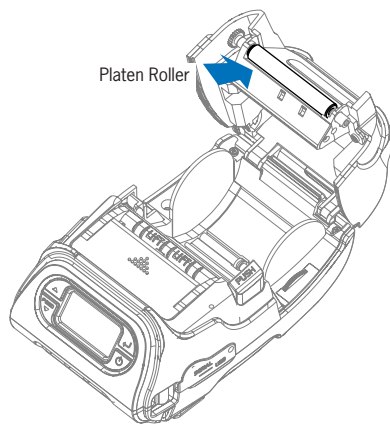


### NOTE

1. Make sure to turn the printer power off prior to cleaning
2. The printhead can become very hot during printing; allow the printer approximately 10 minutes to cool before cleaning.
3. Do not touch the printhead, it can be damaged by static electricity.
4. Take care not to allow the print head to become scratched and /or damaged in any way.

## 5-2. Platen Roller Cleaning

1. Clean the platen roller with a clean soft cloth moistened with isopropyl alcohol or a cleaning pen.
2. Turn the platen roller with your finger to clean the entire surface.



## 6. Printer Specification

### 6-1. Specification

|                 |                                  |   |
|-----------------|----------------------------------|---|
| Printing Method |                                  | Direct Thermal  |
| Printing Speed  |                                  | 80mm/sec  |
| Resolution      |                                  | 203 DPI X 203 DPI   |
| Character       |                                  | ALPHA NUMERIC Character, Extension Character  |
| Barcode         | One-Dimensional Barcodes         | UPCA +2/+5, UPCE +2/+5, EAN8 +2/+5, EAN13 +2/+5, EAN 128, Interleaved 2 of 5, Extended Code 39, Codabar (NW7), Code 128, Code 93, PostNet |
|                 | Two-Dimensional Barcodes         | PDF417, MaxiCode, Aztec, QR Code (Quick Response), Datamatrix   |
|                 | Stacked One-Dimensional Barcodes | GS1 Databar (RSS or Composite Code)   |
| Emulation       |                                  | CPCL, MPCL  |
| Driver          |                                  | Window CE 4.2&5.0, Window Mobile 5.0  |
| Sensor          |                                  | Black-Mark Upper/Lower, Gap, Cover open, Peeler Detect, Peeler S/W, Media-Width Detect  |
| Paper           | paper type                       | Thermal Paper   |
|                 | width                            | 56mm  |
|                 | thickness                        | 0.06 ~ 0.16 mm  |
|                 | External Diameter                | Max. $\phi$ 56mm  |
|                 | Internal Diameter                | 12.5mm $\pm$ 0.5mm  |
| Reliability     | TPH                              | 25.4km (1,000,000in)  |
|                 | Battery                          | Continuous Printing 54min<br>Standby for 11hours<br>Printing length: 249.8M   |
| Communications  | standard                         | Serial(RS-232C), USB  |
|                 | Optional                         | Wireless Lan *802.11b/g   |

## 7. CPCL Command Compatibility

|                       |               |                     |
|-----------------------|---------------|---------------------|
| Battery Charger       | input         | AC100~240V, 50/6 Hz |
|                       | output        | 7.4V, 2200mAh       |
| Battery               | Battery type  | Li-ion              |
|                       | output        | 7.4V, 18.9wh        |
|                       | Charging time | 3.7 Hrs Charging    |
| Size                  | WXDXH(mm)     | 104 X 85 X 158      |
|                       | WXDXH"        | 3.9 X 3.3 X 6.2     |
| Weight                |               | 590g                |
| Environmental sealing |               | IP54                |
| Temperature           | operation     | 5~50℃               |
|                       | storage       | -20~60℃             |
| Humidity              | operation     | 35 ~ 80%            |
|                       | storage       | 10 ~ 90%            |

### NOTE

| Compatible | Compatible with only commanders provided by the manufacturer. | Partially Compatible | Not Compatible |
|------------|---|----------------------|----------------|
| ○          | ●   | △                    | x              |

| Printer Commands            | Compatibility |
|-----------------------------|---------------|
| PRINT                       | ○             |
| FORM                        | ○             |
| JOURNAL                     | ○             |
| UNITS                       | ○             |
| Comments                    | ○             |
| TEXT                        | Compatibility |
| TEXT                        | ○             |
| FONT-GROUP(FG)              | ○             |
| TEXT CONCATENATION          | ○             |
| MULTILINE(ML)               | ○             |
| COUNT                       | ○             |
| SETMAG                      | ○             |
| SCALABLE TEXT               | X             |
| Linear Bar Codes            | Compatibility |
| BARCODE                     | ○             |
| BARCODE-TEXT                | ○             |
| Two-Dimensional Bar Codes   | Compatibility |
| PDF417 (PORTABLE DATA FILE) | ○             |
| MAXICODE                    | ○             |
| QRCODE                      | ●             |
| DATAMATRIX                  | ●             |
| GS1(RSS)                    | ●             |

| Graphics          | Compatibility |
|-------------------|---------------|
| BOX               | ○             |
| LINE              | ○             |
| INVERSE-LINE      | ○             |
| PATTERN           | ○             |
| GRAPHICS          | ○             |
| PCX               | ○             |
| Advanced Commands | Compatibility |
| CONTRAST          | ○             |
| TONE              | ○             |
| JUSTIFICATION     | ○             |
| PAGE-WIDTH        | ○             |
| PACE              | ○             |
| NO-PACE           | ○             |
| WAIT              | ○             |
| REWIND            | X             |
| TENSION           | X             |
| SPEED             | ○             |
| SETSP             | ○             |
| ON-OUT-OF-PAPER   | X             |
| ON-FEED           | ○             |
| PREFEED           | ○             |
| POSTFEED          | ○             |
| PRESENT-AT        | X             |
| COUNTRY/CODE PAGE | ○             |
| FORMAT FILES      | ○             |
| BEEP              | ○             |
| CUT               | X             |
| PATIAL-CUT        | X             |
| MCR               | ●             |

| Line Print Mode                 | Compatibility |
|---------------------------------|---------------|
| SETLP                           | ○             |
| SETLF                           | ○             |
| Moving With X and Y Coordinates | ○             |
| LMARGIN                         | ○             |
| SETBOLD                         | ○             |
| SETSP                           | ○             |
| Special ASCII Characters        | ○             |
| SETFF                           | ○             |
| SET-TOF                         | ○             |
| SETLP-TIMEOUT                   | ○             |

## **FCC Information**

This device complies with part 15 of the FCC Rules. Operation is subject to the following two conditions:

- (1) This Device may not cause harmful interference, and
- (2) This device must accept any interference received, including interference that may cause undesired operation.

This Class [B] digital apparatus complies with Canadian ICES-003.  
Cet appareil numérique de la classe [B] est conforme à la norme NMB-003 du Canada.

Operation is subject to the following two conditions: (1) this device may not cause harmful interference, and (2) this device must accept any interference received, including interference that may cause undesired operation of the device.

### **✔ NOTE**

This equipment has been tested and found to comply with the limits for CLASS B digital device, pursuant to Part 15 of FCC Rules. These limits are designed to provide reasonable protection against harmful interference when the equipment is operated in a commercial environment. This equipment generates, uses and can radiate radio frequency energy and, if not installed and used in accordance with the instructions, may cause harmful interference to radio communications. However, there is no guarantee that interference will not occur in a particular installation. If this equipment does cause harmful interference to radio or television reception, which can be determined by turning the equipment off and on, the user is encouraged to try correct the interference by one or more of the following measures:

- 1.1. Reorient or relocate the receiving antenna.
- 1.2. Increase the separation between the equipment and receiver.
- 1.3. Connect the equipment into an outlet on a circuit different from that to which receiver is connected.
- 1.4. Consult the dealer or experienced radio/TV technician for help.

### **⚠ WARNING**

Changes or modifications not expressly approved by the manufacturer could void the user's authority to operate the equipment.