

# AKAI

## Handheld Bluetooth Speaker With Speakphone

### INSTRUCTION MANUAL



### CE7000-BT

Thank you for purchasing this Handheld Bluetooth Speaker With Speakphone. Please read this instruction manual carefully before using this product to ensure proper use. Keep this manual in a safe place for future reference.

# WHAT'S IN THE BOX

---

## Contents

1. CE7000-BT Handheld Bluetooth Speaker



2. AC-DC Power Adaptor



3. Instruction Manual



4. Warranty Card





If you are missing any parts above, please contact ADT Digital LLC.

Tel: 561 922 6886


Fax: 561 922 6159


# WARNINGS

**WARNING:** TO REDUCE THE RISK OF FIRE OR SHOCK HAZARD, DO NOT EXPOSE THIS PRODUCT TO RAIN OR MOISTURE.

	<b>CAUTION</b> RISK OF ELECTRIC SHOCK DO NOT OPEN	
<b>CAUTION:</b> TO PREVENT THE RISK OF ELECTRIC SHOCK, DO NOT REMOVE COVER OR BACK. NO USER-SERVICEABLE PARTS INSIDE. REFER SERVICING TO QUALIFIED PERSONNEL.		

The CAUTION marking is located on the bottom / rear panel.

 This symbol is intended to alert you to the presence of uninsulated dangerous voltage within the product's enclosure that might be of sufficient magnitude to constitute a risk of electric shock. Do not open the product's case.

 This symbol is intended to inform you that important operating and maintenance instructions are included in the literature accompanying this product.

## DRIPPING WARNING


The product shall not be exposed to dripping or splashing and that no objects filled with liquids, such as vases, shall be placed on the product.

## VENTILATION WARNING

The normal ventilation of the product shall not be impeded for intended use.

## SAFETY CERTIFICATION

This device is made and tested to meet safety standards of the FCC, requirements and compliance with safety performance of the U.S. Department of Health and Human Services, and also with FDA Radiation Performance Standards 21 CFR Subchapter J.

Class II equipment symbol   
This symbol indicates that the power adaptor has a double insulation system.

FCC ID : OWT-CE7000BT  
IC : 10607A-CE7000BT

## FCC IMPORTANT

Since CD circuitry may cause interference to other radio tuners nearby, switch this unit off when not in use or move it away from the affected radio tuner.

This device complies with part 15 of the FCC rules, operation is subject to the following two conditions: (1) this device may not cause harmful interference, and (2) this device must accept any interference received, including interference that may cause undesired operation.

This class[B] digital apparatus complies with canadian ICES-003.

Cet appareil numérique de la classe B est conforme à la norme NMB-003 du Canada.

**Warning:** Changes or modifications to this unit not expressly approved by the party responsible for compliance could void the user's authority to operate the equipment.

This device complies with Industry Canada licence-exempt RSS standard(s). Operation is subject to the following two conditions: (1) this device may not cause interference, and (2) this device must accept any interference, including interference that may cause undesired operation of the device.

Under Industry Canada regulations, this radio transmitter may only operate using an antenna of a type and maximum (or lesser) gain approved for the transmitter by Industry Canada. To reduce potential radio interference to other users, the antenna type and its gain should be so chosen that the equivalent isotropically radiated power (e.i.r.p.) is not more than that necessary for successful communication.

# FCC AND CANADIAN ICES

---

NOTE: This equipment has been tested and found to comply with the limits for a Class B digital device, pursuant to part 15 of the FCC Rules. These limits are designed to provide reasonable protection against harmful interference in a residential installation. This equipment generates, uses and can radiate radio frequency energy and, if not installed and used in accordance with the instructions, may cause harmful interference to radio communications. However, there is no guarantee that interference will not occur in a particular installation. If this equipment does cause harmful interference to radio or television (which can be determined by turning the equipment off), the user is encouraged to try to correct the interference by one or more of the following measures:


- Reorient or relocate the receiving antenna.
- Increase the separation between the equipment and receiver.
- Connect the equipment into an outlet on a circuit different from that to which the receiver is connected.
- Consult the dealer or an experienced radio / TV technician for help.

NOTE: This digital apparatus does not exceed the Class B limits for radio noise emissions from digital apparatus as set out in the radio interference regulations of Industry Canada.

Le présent appareil numérique n'émet pas de bruits radioélectriques dépassant les limites applicables aux appareils numériques de Classe B prescrites dans le règlement sur le brouillage radioélectrique édicté par Industrie Canada.

## IMPORTANT SAFETY INSTRUCTIONS

---

1. **Read Instructions** –All the safety and operating instructions should be read before the product is operated.
2. **Retain Instructions** – The safety and operating instructions should be retained for future reference.
3. **Heed Warnings** - All warnings on the product and in the operating instruction should be adhered to.
4. **Follow Instructions** – All operating and use instructions should be followed.
5. **Cleaning** - Unplug this product from the wall outlet before cleaning. Do not use liquid cleaners or aerosol cleaners. Use a dry cloth only for cleaning the exterior only. Do NOT attempt to clean the inside.
6. **Attachments** – Do not use attachments not recommended by the product manufacturer as they may cause hazards.
7. **Water and Moisture** – Do not use this product near water – for example, near a bath tub, wash bowl, kitchen sink, or laundry tub; in a wet basement, or near a swimming pool, and the like.
8. **Accessories** – Do not place this product on an unstable cart, stand tripod, bracket, or table. The product may fall, causing serious injury to a child or adult, and serious damage to the product. Use only with a cart, stand, tripod, bracket, or table recommended by the manufacturer, or sold with the product. Any mounting of the product should follow the manufacturer's instructions, and should use a mounting accessory recommended by the manufacturer.
9. A product and cart combination should be moved with care. Quick stops, excessive force, and uneven surfaces may cause the appliance and cart combination to overturn. 
10. **Ventilation** – Slots and openings in the cabinet are provided for ventilation and to ensure reliable operation of the product and to protect it from overheating, and these openings must not be blocked or covered. The openings should never be blocked by placing the product on a bed, sofa, rug, or other similar surface. This product should not be placed in a built-in installation such as a bookcase or rack unless proper ventilation is provided.

# **IMPORTANT SAFETY INSTRUCTIONS**

11. **Power Sources** – This product should be operated only from the type of power source indicated on the marking label. If you are not sure of the type of power supply to your home, consult your product dealer or local power company. For products intended to operate from battery power, or other sources, refer to the operating instruction.
12. **Grounding or Polarization** – This product may be equipped with a polarized alternating current line plug (a plug having one blade wider than the other). This plug will fit into the power outlet only one way. This is a safety feature. If you are unable to insert the plug fully into the outlet, try reversing the plug. If the plug should still fail to fit, contact your electrician to replace your obsolete outlet. Do not defeat the safety purpose of the polarized plug.
13. **Power-Cord Protection** – Power supply cords should be routed so that they are not likely to be walked on or pinched by items placed upon or against them, paying particular attention to cords at plugs, convenience receptacles, and the point where they exit from the product.
14. **Lightning** – For added protection for this product during a lightning storm, or when it is left unattended and unused for long periods of time, unplug it from the wall outlet and disconnect the antenna or cable system. This will prevent damage to the product due to lightning and power-line surges.
15. **Overloading** – Do not overload wall outlets, extension cords, or integral convenience receptacles as this can result in a risk of fire or electric shock.
16. **Object and Liquid Entry** – Never push objects of any kind into this product through openings as they may touch dangerous voltage points or short-out parts that could result in a fire or electric shock. Never spill liquid of any kind on the product.
17. **Servicing** – Do not attempt to service this product yourself as opening or removing covers may expose you to dangerous voltage or other hazards. Refer all servicing to qualified service personnel.
18. **Damage Requiring Service** – Unplug this product from the wall outlet and refer servicing to qualified service personnel under the following conditions:
  - a) When the power-supply cord or plug is damaged,
  - b) Liquid has been spilled, or objects have fallen into the product,
  - c) If the product has been exposed to rain or water,
  - d) If the product does not operate normally by following the operating instructions. Adjust only those controls that are covered by the operating instructions as an improper adjustment of other controls may result in damage and will of then require extensive work by a qualified technician to restore the product to its normal operation.
  - e) If the product has been dropped or damaged in anyway, and
  - f) When the product exhibits a distinct change in performance – this indicates a need for service.
19. **Replacement Parts** – When replacement parts are required, be sure the service technician has used replacement parts specified by the manufacturer or have the same characteristics as the original part. Unauthorized substitutions may result in fire, electric shock, or other hazards.
20. **Safety Check** – Upon completion of any service or repairs to this product, ask the service technician to perform safety checks to determine that the product is in proper operating condition.

# **IMPORTANT SAFETY INSTRUCTIONS**

21. **Heat** – The product should be situated away from heat sources such as radiators, heat registers, stoves, or other products (including amplifiers) that produce heat.
22. Unplug this apparatus during lightning storms or when unused for long periods of time.
23. This appliance is not intended for use by persons (including children) with reduced physical, sensory or mental capabilities, or lack of experience and knowledge, unless they have been given supervision or instruction concerning use of the appliance by a person responsible for their safety.
24. Children should be supervised to ensure that they do not play with the appliance.
25. Ensure children and babies do not play with plastic bags or any packaging materials.

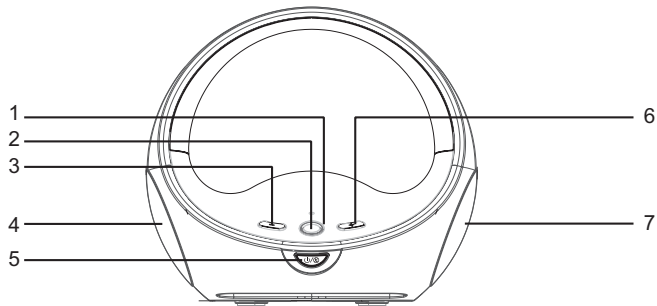
## **WARNINGS**

- To reduce the risk of fire or electric shock, do not expose this apparatus to rain or moisture.
- The apparatus shall not be exposed to dripping or splashing and that no objects filled with liquids, such as vases, shall be placed on apparatus.
- Mains plug /Power adaptor is used as disconnect device and it should remain readily operable during intended use. In order to disconnect the apparatus from the mains completely, the main plug/power adaptor should be disconnected from the mains socket outlet completely.

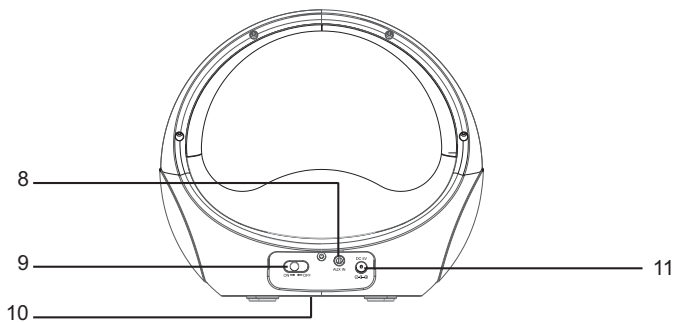
# CONTROL LOCATION



---

## FRONT SIDE



## REAR SIDE



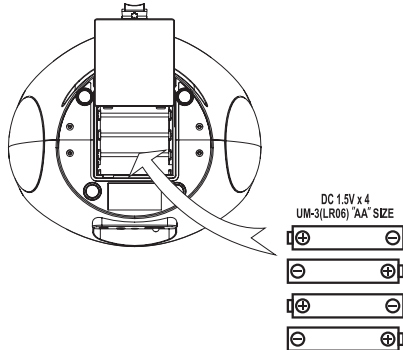
1. STATUS indicator
2. PAIR/ ANSWER / END button  
PLAY/ PAUSE ►|| button
3. VOLUME - button
4. Speaker (L ch.)
5. POWER STANDBY  / REJECT CALL  button
6. VOLUME + button
7. Speaker (R ch.)
8. AUX IN jack
9. POWER ON/OFF switch
10. Battery compartment
11. DC IN jack

# MAKING THE CONNECTIONS

---

## Battery Installation

1. Remove the battery compartment cover.
2. Install 4 “AA” size (UM-3) batteries (not included) in the battery compartment following the polarity markings shown on it.
3. Replace the battery compartment cover.



## Battery Precautions (Use AA Size UM-3 (LR6) x 4 pieces)

The precautions below should be followed when using batteries in this device:

1. Use only the size and type of batteries specified.
2. Be sure to follow the correct polarity when installing the batteries as indicated in the battery compartment. Reversed batteries may cause damage to the device.
3. Do not mix different type of batteries together (e.g. Alkaline and Carbon Zinc) or old batteries with fresh ones.
4. If the device is not to be used for a long period of time, remove the batteries to prevent damage or injury from possible battery leakage.
5. Do not try to recharge batteries not intended to be recharged, they can overheat and rupture  
(Follow battery manufacturer’s directions).
6. Rechargeable batteries are to be removed from the product before being charged.
7. Rechargeable batteries are only to be charged under adult supervision.
8. Exhausted batteries are to be removed from the product.
9. The supply terminals are not to be short-circuited.
10. Battery shall not be exposed to excessive heat such as sunshine, fire or the like.

## Connecting to AC-DC Power Adaptor

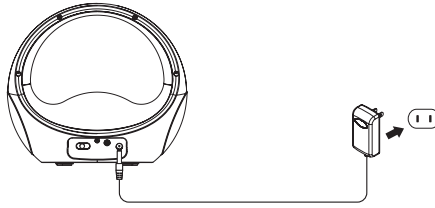
Before using your Bluetooth speaker, you should connect it to AC (mains) power.

1. Firmly and securely insert the DC plug of the adaptor to the DC jack at the back of the unit.
2. Plug the adaptor into the AC outlet.



# MAKING THE CONNECTIONS

---



When the unit is not operated by the AC power or unused for long period of time, please remove the power adaptor from the wall outlet and unplug from the unit.

## OPERATION

---

### POWERING ON/OFF THE UNIT

1. After connecting the AC power, turn **ON** the **POWER** switch on the rear of the unit, the STATUS indicator will light up in RED to indicate that the unit is in standby mode.
2. Press the “⏻” button once to turn on the unit.
3. After using the unit, press and hold the “⏻” button for 2 seconds to switch the unit to standby mode, or turn OFF the POWER switch. The STATUS indicator will light off.

### PAIRING YOUR BLUETOOTH DEVICE

#### About pairing

Pairing is the term used when two Bluetooth devices are connected wirelessly for the first time. This allows the devices to see each other and sets up a one to one communication channel between both devices.

#### Pairing with a Bluetooth device

1. After powering on your unit, you can start pairing process to connect to your Bluetooth device.
2. If it is the first time setup after purchasing, the STATUS indicator will flash RED and BLUE alternatively to ask for pairing, BLUE/RED flashing indicates pairing attempt is in process.
3. Turn on Bluetooth functionality on your device and make it discoverable (see your device’s instructions to add or setup a Bluetooth device).
4. Select CE7000-BT on you Bluetooth device to make the pairing when it is found. If you device asks for a passkey, enter “0000” on the keyboard of your device. If no device is paired in 3 minutes, the unit will power off (switch to standby mode). If this occurs, retry step 1 - 4.
5. Once paired with a device, a blue light on the STATUS indicator will glow steadily and two beep sounds confirms that pairing is completed. On some devices, you must then select “use as a stereo audio device” or similar on the device’s Bluetooth manual. Once paired, your device should connect to the CE7000-BT whenever within the Bluetooth range (10 metres).

# OPERATION

---

## To connect previously paired Bluetooth device

1. Your Bluetooth speaker can store one previously paired device for quick pairing during power on.
2. To connect a previously paired device after power on, if the previously paired device is found with the range, the unit will pair the device automatically and the STATUS indicator will turn to BLUE steadily. Two beeps will confirm the pairing is completed.

## To connect a new Bluetooth device

1. If no previously paired device is found with the Bluetooth range (10 metres) after power on, the STATUS indicator would continue to flash in BLUE and RED for 3 minutes before switching to standby mode.
2. During this period, you can pair a new Bluetooth device. Please follow step 3 to 5 in “**To begin pairing with a Bluetooth device**” section to complete the pairing of a new Bluetooth device.
3. You can also start the pairing process manually by pressing and holding the **PAIR** button on the unit until STATUS indicator would flash in RED and BLUE alternatively again to indicate pairing attempt is in process.

### NOTE:

- Due to different operating system of Bluetooth devices, the time taken by pairing process might be different. If the pairing cannot be successful in the first time, please try to restart the pairing process by pressing and holding the **PAIR** button again until the indicator light flashes red and blue alternatively.
- The pairing time might be longer for the first time pairing or pairing a new Bluetooth device.
- Make sure you have the latest firmware for your Bluetooth mobile devices.
- Make sure your device is working properly. Check your device’s manual for details on Bluetooth pairing and linking.

## PLAYING MUSIC VIA BLUETOOTH

To listen to music streamed wirelessly from your paired Bluetooth device.

1. Follow the “**PAIRING YOUR BLUETOOTH DEVICE**” section to connect your Bluetooth device.
2. Start the audio playback and adjust the volume output on your Bluetooth device.
3. Press and release the **PAIR** button to pause the audio playback from your Bluetooth device and press and release this button for resume the playback. You may also pause and resume the playback on your Bluetooth device.

**NOTE:** It is not recommended to pause the audio playback by pressing and releasing the **PAIR** button on the unit and then resuming the playback on your Bluetooth device as it may have abnormal response for some Bluetooth devices.

4. Use the Volume +/- buttons on the unit to adjust volume.
5. When done listening, press and hold the “**⏻**” button for 2 seconds to turn the unit off (switch to standby mode).

# OPERATION

---

## **USING THE SPEAKERPHONE**

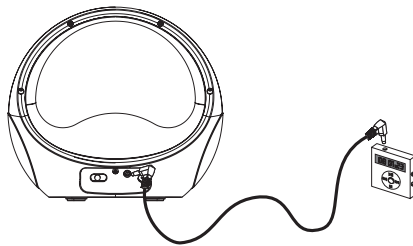
To use your Bluetooth speaker as a speakerphone for receiving a phone call from a Bluetooth enabled phone.

1. Follow the “**PAIRING YOUR BLUETOOTH DEVICE**” section to set up the Bluetooth connection.
2. When a call is received during music is playing, music will be muted to hear the ringtone. STATUS indicator will flash in RED color to indicating the incoming call. Press the “**ANSWER**” button to answer the call, or press the “**⏻**” button to ignore the call.  
**NOTE:** The voice from the unit will be in “MONO” mode when the Speaker phone is being used and only the right hand side speaker will sound.
3. Use the Volume+/- buttons to adjust the desired volume level.
4. When the call is completed, press the “**END**” button to end the call and resume previous function or music playback.

### **NOTE:**

The position of the built-in microphone of the unit is on the central of the front side. You are recommended to face the front side of the unit and at a short distance in order to have good voice quality and clarity.

## **USING THE AUX IN JACK**



1. Plug one end of the AUX IN cable (not included) into the headphone jack (or audio out) of your audio device and the other end into the AUX IN jack of the unit.
2. Press and hold the “**⏻**” button for 2 seconds to turn on the unit (release when blue light appears).
3. Use your audio device to control music playback and volume through the unit.
4. Use the Volume+/- buttons to adjust the desired volume level.
5. When done listening, press and hold the “**⏻**” button for 2 seconds to turn the unit off (switch to standby mode) and unplug the AUX IN cable from the unit. Remember to turn off your audio device too.

# OPERATION

---

## NOTE:

- Play/Pause control ►|| only works in Bluetooth mode. It does not control the plugged-in device.
- When you plug in the AUX IN cable during Bluetooth playback, the Bluetooth playback will be interrupted and switched to the AUX mode. After unplugging the AUX IN cable from the unit, the music may be or may not be resumed depending on different Bluetooth devices. If the music has been pause on you device, please restart / resume playback on your device manually. Alternatively you can restart Bluetooth playback following the “playing music via Bluetooth” section.
- Only using AUX IN cable with standard 3.5mm stereo plug ( do not use any cable with “mono” plug).

# CARE AND MAINTENANCE

---

## PLACING THE UNIT

Place the unit on a level surface away from sources of direct sunlight or excessive heat. Protect your furniture when placing your unit on a natural wood and lacquered finish. A cloth or other protective material should be placed between it and the furniture.

## CLEANING THE UNIT

Do not clean your unit by water directly.

Clean your unit with a soft cloth moistened only with mild soap and water. Stronger cleaning agents, such as Benzene, thinner or similar materials can damage the surface of the unit.

# TROUBLE SHOOTING

If you have followed the instructions and are having difficulty operating the unit, locate the PROBLEM in the left column below. Check the corresponding POSSIBLE CAUSE column to locate and remedy the problem.

PROBLEM	POSSIBLE CAUSE	SOLUTION
No sound when playing audio via Bluetooth	Your Bluetooth device has not been paired properly.	Pairing your Bluetooth device according to the "PAIRING YOUR BLUETOOTH DEVICE" section.
	The volume control of your Bluetooth device is set too low.	Increase the volume of your Bluetooth device.
	The volume control of the Bluetooth speaker is set too low.	Increase the volume of the Bluetooth speaker by pressing the Volume "+" button.
No sound when playing audio via AUX IN	Audio cable has not been connected properly.	Check the connection of audio cable at the Bluetooth speaker and the audio device.
	Audio cable has breakage.	Use another audio cable for connection.
	The volume control of you Bluetooth device is set too low.	Increase the volume of you Bluetooth device.
	The volume control of you Bluetooth speaker is set too low.	Increase the volume of the Bluetooth speaker by pressing the Volume "+" button.
Sound comes from only one speaker when playing audio via AUX IN	Mono audio cable is used.	Make sure the audio cable is a stereo type.
	The audio cable was damaged.	Replace the audio cable of stereo type
The person whom you call via speakerphone cannot hear your voice clearly.	You are not facing to the front side of the Bluetooth speaker.	Face to the front side of the Bluetooth speaker.
	You are too far from the Bluetooth speaker.	Close to the front side of the Bluetooth speaker.

# SPECIFICATION

---

Power Supply AC-DC Power Adaptor	Input: 100 – 240VAC, 50/60Hz Output: 5VDC, 1A
DC Input	4 x "AA" size (UM-3/LR6) Battery (Not included)
Bluetooth Protocol	Support A2DP / HFP
Audio Power Output	2 x 2W (rms)
Dimensions	7.52" (W) x 6.69" (H) x 6.50" (D) 191mm (W) x 170mm (H) x 165mm (D)
Weight	1.01 lb 0.46 kg

Specifications are typical, individual units might vary. They are subject to continuous improvement without notice and without incurring any obligation.