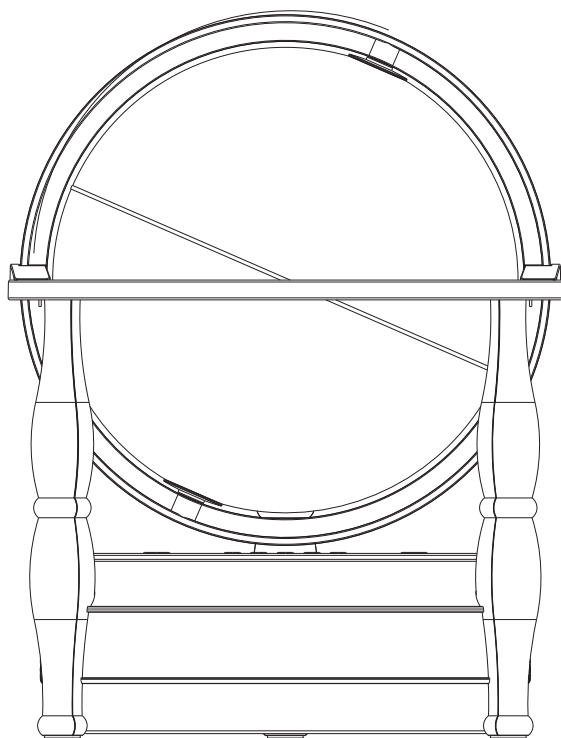


GLOBE BLUETOOTH SPEAKER

INSTRUCTION MANUAL



GL703-BT

IMPORTANT SAFETY INSTRUCTIONS

When used in the directed manner, this unit has been designed and manufactured to ensure your personal safety. However, improper use can result in potential electrical shock or fire hazards. Please read all safety and operating instructions carefully before installation and use, and keep these instructions handy for future reference.

Take special note of all warnings listed in these instructions and on the unit.

1. Read these instructions – All the safety and operating instructions should be read before the appliance is operated.
2. Keep these instructions – The safety and operating instructions should be kept for future reference.
3. Heed all warnings – All warnings on the appliance and in the operating instructions should be adhered to.
4. Follow all instructions – All operation and use instructions should be followed.
5. Do not use this apparatus near water – The appliance should not be used near water; for example, near a bath tub, washbowl, kitchen sink, laundry tub, in a wet basement, or near a swimming pool.
6. Clean only with dry cloth – The appliance should be cleaned only as recommended by the manufacturer.
7. Do not block any ventilation openings. Install in accordance with the manufacturer's instructions. The appliance should be situated so that its location or position does not interfere with its proper ventilation. For example, the appliance should not be situated on a bed, sofa, rug, or similar surface that may block the ventilation openings; or placed in a built-in installation, such as a bookcase or cabinet that may impede the flow of air through the ventilation openings.
8. Do not install near any heat sources such as radiators, heat registers, stoves, or other apparatus (including amplifiers) that produce heat.
9. Protect the adapter / power cord from being walked on or pinched particularly at plugs, convenience receptacles, and the point where they exit from the apparatus.
10. Only use attachments / accessories specified by the manufacturer.
11. Unplug the ac adaptor of this apparatus during when unused for long periods of time.
12. Refer all servicing to qualified service personnel. Servicing is required when the apparatus has been damaged in any way, such as ac adaptor is damaged, liquid has been spilled or objects have fallen into the apparatus, the apparatus has been exposed to rain or moisture, does not operate normally or has been dropped.

IMPORTANT SAFETY INSTRUCTIONSCONTINUE

13. This appliance shall not be exposed to dripping or splashing water and that no object filled with liquids such as vases shall be placed on the apparatus.
14. Power Sources – The appliance should be connected to a power supply only of the type described in the operating instructions or as marked on the appliance. Do not overload wall outlet.
15. Do not attempt to dismantle, open or repair this product yourself. If a fault occurs, seek advice from your local qualified service technician or contact the distributor via the telephone number at the back of this instruction manual.
16. Nameplate is located on bottom of the product.

IMPORTANT NOTES

Avoid installing the unit in locations described below:

- Places exposed to direct sunlight or close to heat radiating appliances such as electric heaters.
- Places subject to constant vibration.
- Dusty, humid or moist places.

COMPLIANCE WITH FCC

This device complies with Part 15 of the FCC Rules. Operation is subject to the following two conditions:

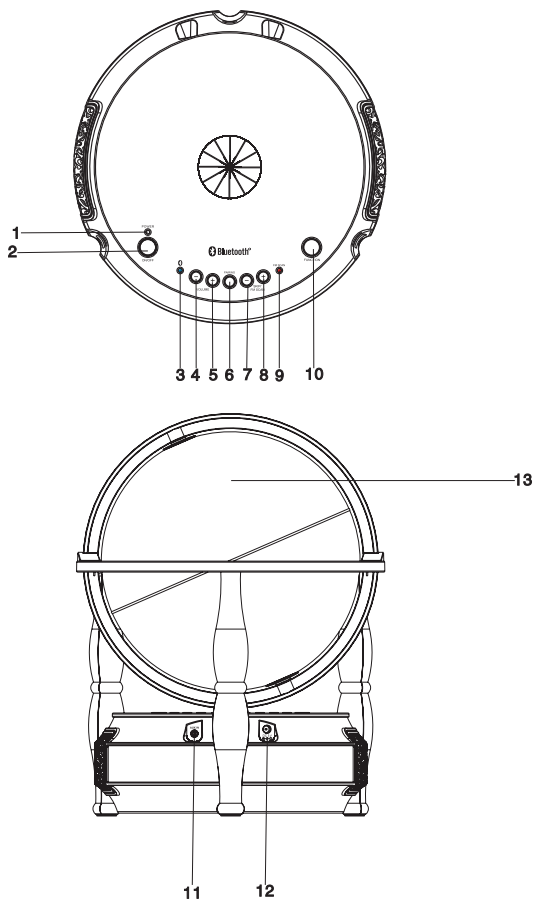
- (1) this device may not cause harmful interference, and
- (2) this device must accept any interference received, including interference that may cause undesired operation.

NOTE: This equipment has been tested and found to comply with the limits for a Class B digital device, pursuant to Part 15 of the FCC Rules. These limits are designed to provide reasonable protection against harmful interference in a residential installation. This equipment generates, uses and can radiate radio frequency energy and, if not installed and used in accordance with the instructions, may cause harmful interference to radio communications. However, there is no guarantee that interference will not occur in a particular installation. If this equipment does cause harmful interference to radio or television reception, which can be determined by turning the equipment off and on, the user is encouraged to try to correct the interference by one or more of the following measures:

- Reorient or relocate the receiving antenna.
- Increase the separation between the equipment and receiver.
- Connect the equipment into an outlet on a circuit different from that to which the receiver is connected.
- Consult the dealer or an experienced radio/TV technician for help.

CAUTION: Changes or modifications not expressly approved by the party responsible for compliance could void the user's authority to operate the equipment.

CONTROL LOCATIONS



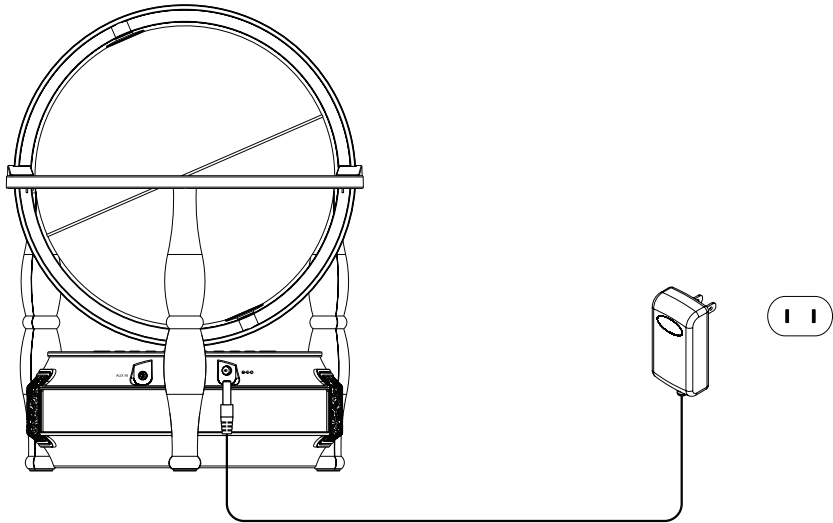
- | | |
|----------------------------|----------------------------|
| 1. Power Indicator | 8. Fm Scan / SKIP + Button |
| 2. ON/OFF Button | 9. Fm Scan Indicator |
| 3. Bluetooth Indicator | 10. Function Button |
| 4. VOLUME - Button | 11. Aux In Jack |
| 5. VOLUME + Button | 12. DC Jack |
| 6. Pairing Button | 13. Globe |
| 7. Fm Scan / SKIP - Button | |

CONNECTING POWER

Plug the supplied power adapter small end into the DC jack located on the rear panel, plug the adapter into the standard AC wall socket.

CAUTION: The unit is designed to operate from a mains supply of AC 120V~60Hz. If the adapter does not fit properly, turn it over and again. Do not force it.

NOTES: When the unit not operation by the AC power or unused for long periods of the time. Please remove the power adapter from the wall outlet and unplug from the main unit.



GENERAL OPERATION

■ TUNING ON/OFF

1. Press the ON/OFF button to turn on the unit, Power indicator will light up.
2. Press the ON/OFF button again to turn off the unit. The power indicator will turn off.

■ ADJUST VOLUME

Press the VOLUME+ / VOLUME- buttons to increase / decrease the sound level.

BLUETOOTH OPERATION

If the unit has been paired with a Bluetooth device before, you need to follow the pairing instruction below to link the GL703-BT with you Bluetooth device.

1. Press the power ON/OFF button to turn on the unit, power indicator will light up.
2. The unit will search the paired device with the light bluetooth indicator flashing quickly and "Do Do" is heard.
3. Turn on Bluetooth function of your device and enable the search or scan function to find GL703-BT. (See your device's instructions to add or setup a Bluetooth device).
4. Select "**GL703-BT**" from the device list when it appears on your device screen. If required, enter the pass code "0000" to pair (link) GL703-BT with your device.
5. After successfully paired with a device, The Bluetooth indicator will light steadily and you will hear the sound "Do" to confirm that pairing is completed.

NOTE :

If you can't pair the unit with your Bluetooth enabled device, you can try turn OFF & ON the power of your unit to solve the problem.

Playing from a Bluetooth device

you can play music from your Bluetooth device wirelessly to GL703-BT after successfully.

1. Selecting your favorite song, press the PLAY button on your Bluetooth device to playback.
2. Adjust the VOLUME +/- buttons of the unit until you reach a comfortable listening level.
3. Press SKIP +/- buttons of the unit to skip the previous or next song.

NOTES :

1. Your Bluetooth enabled device will not play the music through the speaker, even if connect (linked), if the device does not support the A2DP Bluetooth profile.
2. Remember to turn off the GL703-BT when you have finished listening.
3. Don't forget to turn off the power of your external audio device as well.

RADIO OPERATION

1. Press the ON/OFF button to turn on the unit.
2. Press the FUNCTION button to select radio mode, the FM scan indicator will light up.
3. Press SKIP +/- buttons of the unit to scan the previous or next FM station, repeatedly until your desired FM station.

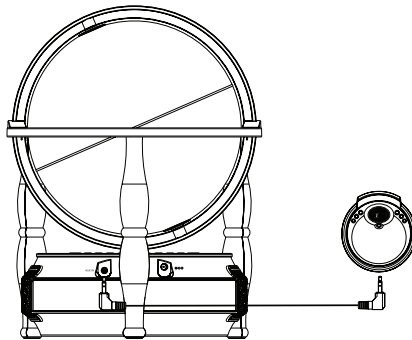
OTHER AUDIO DEVICES

By using a home audio connection cable (not included), you can listen to an external audio unit through this unit's speakers. Before making any connections, Turn off the power to all equipment.

1. Plug a 3.5mm audio cable (not included) into your external music player and connect the other end (3.5mm Jack) into the AUX IN jack at the rear of the unit.
2. Power on the unit and make sure your external music player is turned on.
3. Start music playback on your external music player.
4. Adjust VOLUME +/- buttons to control the sound level of music playback through your unit's speaker.
5. When don't listening, press the ON/OFF button to turn the unit off and unplug the AUX IN cable from the unit.
Remember to turn off your audio device too.

NOTE:

If you are in Radio / Bluetooth mode, when you connect an external device to the AUX IN jack, this unit will automatically switch to AUX mode. If you remove the plug from the AUX IN jack, the unit will resume to the mode it was in before the external device was connected.



TROUBLESHOOTING GUIDE

Symptom	Possible Problem	Solution
The unit does not respond (no power)	The unit is disconnected from the AC outlet.	Reconnect to the AC outlet.
	The AC outlet has not power.	Try the unit on another outlet.
Unit is ON but there is low or no volume	The volume control has been turned all the way down.	Turn the Volume control to a higher output.
No sound when playing audio via Bluetooth.	Your Bluetooth device has been paired properly.	Pairing your Bluetooth device according to the "LISTENING TO A BLUETOOTH ENABLED DEVICE" section.
	The volume control of your Bluetooth device is set at too low.	Increase the volume of your Bluetooth device.
	The volume control of main unit is set at too low.	Increase the volume of main unit to adjust to "+" level.
Noise or sound distorted on FM broadcast	Station not tuned properly for FM. The FM rod antenna is not fully extended.	Retune the FM broadcast station. Fully extend the FM rod antenna.
Sound is distorted	Volume level is set too high.	Decrease the volume.
	Sound source is distorted.	If you are using an external sound source like older generation of iPod, try reducing the output volume on the device itself. Also try turning bass boost OFF or change the EQ setting.
Unit gets warm after extended play at high volume	This is normal.	Turn the unit off for a period of time or lower volume.
FM no reception	<ul style="list-style-type: none"> • Under the influence of electrstatic phenomenon, in case the product may malfunction we suggest user to power reset 	<ul style="list-style-type: none"> • Disconnect the machine from the power source for 30 seconds then reconnect

TECHNICAL SPECIFICATIONS

Bluetooth	Bluetooth Specification version 3.0 Support profile A2DP
Output Power	2W x 2
Speakers	5W x 2, 3 Ohms.
Operating frequency:	2402-2480MHz
Power Source:	
AC adaptor	Input : AC 100-240V ~50 / 60Hz Output : DC 5V 1.2A
Dimensions	362(H) x 278(W) x 278(D) mm.
Weight	1.36 Kg.