

WIRELESS MICROPHONE INSTRUCTION MANUAL

INTRODUCTION

Thank you for purchasing this unit. Before trying to use it, be sure to read this instruction manual carefully. Then keep this manual in a safe place so that you can refer to it whenever you need to do so.

WHAT'S INCLUDED

- 1) Wireless Microphone X 1 pc
- 2) Receiver X 1 pc
- 3) Instruction Manual X 1 pc

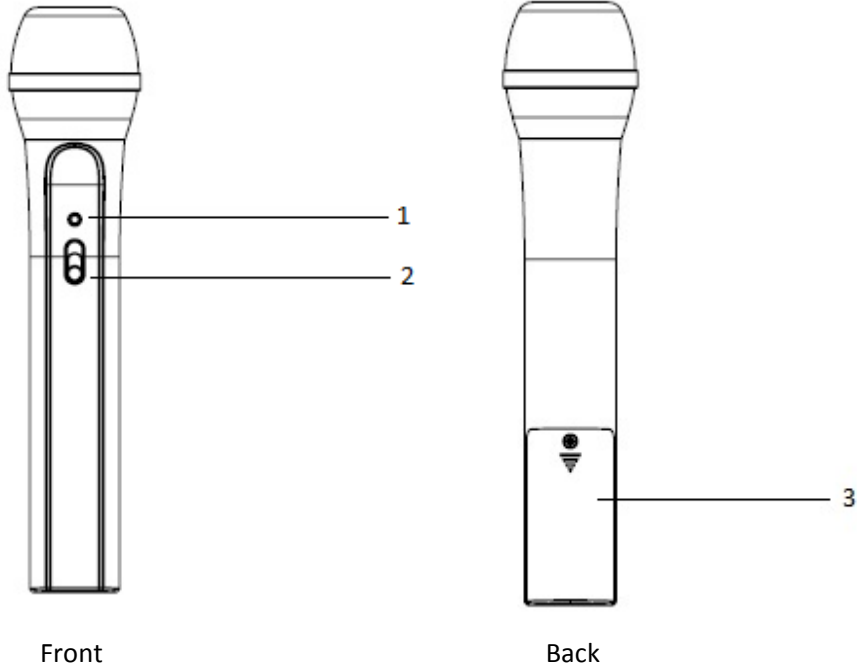
BATTERY PRECAUTIONS

WARNING

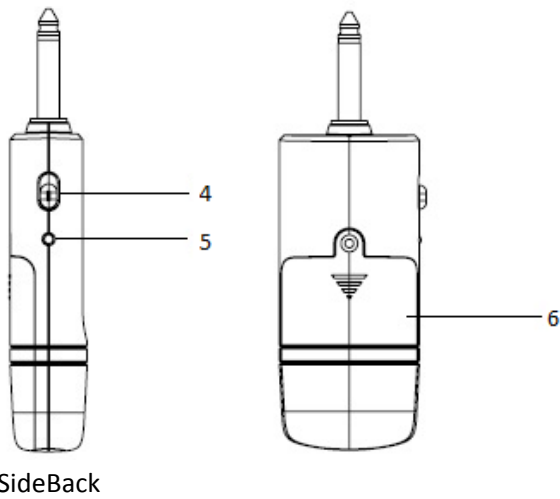
- Batteries must be placed under adult supervision.
- Use only the size and type of batteries specified. The use of alkaline batteries is recommended.
- Do not use rechargeable batteries.
- Place batteries based on the polarity as indicated inside the battery compartment. Reversed battery may cause damage to the device.
- DO NOT mix different types of batteries and DO NOT mix new and exhausted batteries.
- DO NOT charge non-rechargeable batteries as they can be overheated and rupture.
- When not using the unit for a prolonged period of time, please remove the battery to avoid possible damage caused by a leaking battery.
- DO NOT short circuit the supply terminals of the battery.
- Exhausted batteries must be removed from the product.
- DO NOT throw batteries into the fire. They may explode.

CONTROL LOCATION

MICROPHONE (HANDHELD TRANSMITTER)



RECEIVER



- 1) Indicator Light
- 2) ON/OFF/STANDBY Switch
- 3) Battery Compartment
- 4) ON/OFF Switch
- 5) Indicator Light

6) Battery Compartment

MICROPHONE SETTINGS

The switch on the Wireless Microphone has three settings:

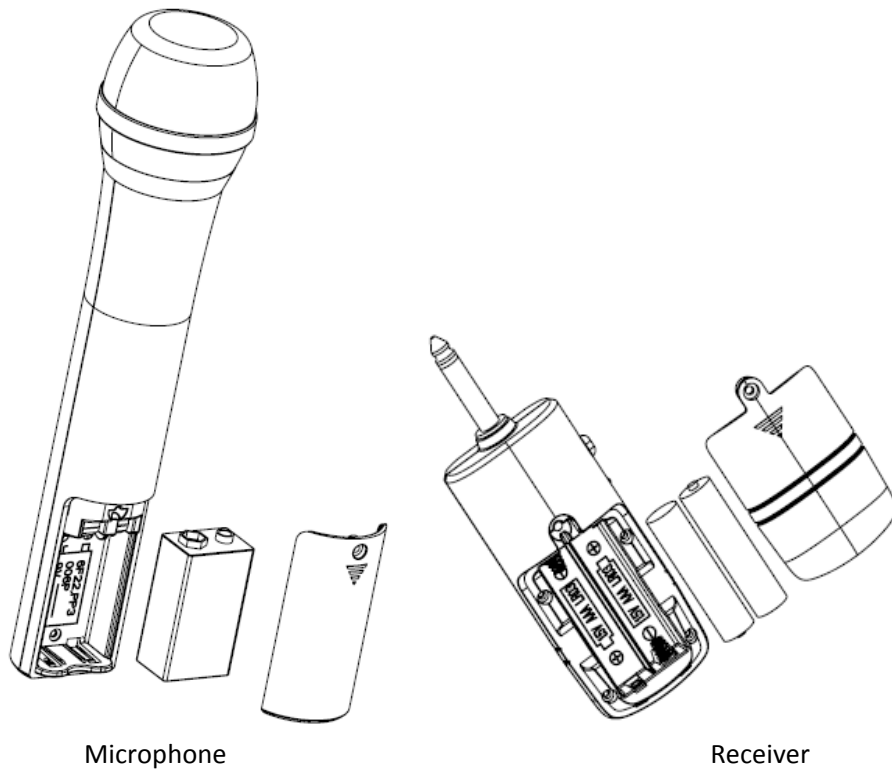
- 1) ON – The switch is in the top position. The microphone will function. The red indicator light is on. The microphone will use battery power.
- 2) STANDBY – The switch is in the middle position. The microphone will not function. The red indicator light is on. The microphone will use battery power.
NOTE: The purpose of this setting is to maintain a connection between the microphone and the receiver when moving around the area in which it is being used.
- 3) OFF – The switch is in the bottom position. The microphone will not function. The red indicator light is off. The microphone will not use battery power.

Important Note:

When the microphone switch is set to OFF, noise may be generated from the karaoke machine. Please make sure to reduce both the MASTER VOLUME and MIC VOLUME to the low level OR switch off the receiver before turning off your microphone.

OPERATION

- 1) Insert one active DC 9-Volt battery into the microphone (must follow the polarity engraved inside the battery compartment) by unscrewing the cover of battery compartment.
- 2) Replace the battery compartment cover and tighten the screw.
- 3) Set the switch on the microphone to the STANDBY position.
- 4) Insert two active AAA batteries into the receiver (must follow the polarity engraved inside the battery compartment) by unscrewing the cover of battery compartment.
- 5) Replace the battery compartment cover and tighten the screw.
- 6) Plug the receiver into the Microphone Input Jack of your karaoke machine.
- 7) Set the switch on your karaoke machine to the ON position.
- 8) Adjust the Master Volume and Mic Volume Controls of your karaoke machine to a comfortable level.
- 9) Set the switch on the receiver to the ON position.
- 10) Set the switch on the microphone to the top ON position. Your Wireless Microphone is now ready for use!



Microphone

Receiver

Note:

The receiver is provided with a flexible wire antenna. If the reception is weak, extend the antenna to improve reception.

MAINTENANCE

- 1) To ensure long battery life, please make sure that both the Receiver and the Microphone are set to the OFF position when not in use. To be absolutely certain, we advise you to remove all the batteries from the Microphone and Receiver when they are not in use.
- 2) Please remove the Receiver from the Microphone Input Jack of your karaoke machine when not in use. This will reduce the possibility of damage to the Receiver.

TROUBLESHOOTING

- 1) PROBLEM: The Microphone Indicator Light is on but there is no sound when I sing.
POINTS TO CHECK:
 - a) Is the Microphone Switch set to ON?
 - b) Is the Karaoke machine correctly plugged in and switched on?
 - c) Are the Microphone Volume and Master Volume controls of your karaoke machine set to a high enough level?
 - d) Does the Receiver contain two AAA batteries? Is it properly connected to your karaoke machine and is it turned on?
- 2) PROBLEM: The Receiver indicator light is on but there is no sound when I sing.

POINTS TO CHECK:

- a) Is the Receiver properly connected to the karaoke machine?
 - b) Is the Microphone switch set to ON?
 - c) Does the Microphone contain one 9-Volt battery?
 - d) Is the Karaoke machine correctly plugged in and switched on?
 - e) Are the Microphone Volume and Master Volume controls of the karaoke machine set to high enough level?
- 3) **PROBLEM:** The karaoke machine I am using is switched on but there is no sound when I sing.
POINTS TO CHECK:

- a) Is the Microphone Switch set to ON?
- b) Does the Microphone contain one 9-Volt battery?
- c) Are the Microphone Volume and Master Volume controls of your karaoke machine set to a high enough level?
- d) Does the Receiver contain two AAA batteries? Is it properly connected to your karaoke machine and is it turned on?

SPECIFICATIONS

TYPE	-54 dB, 600 OHM UNI-DIRECTIONAL DYNAMIC MICROPHONE
POWER SOURCE	9V Battery x 1 pc (Microphone) AAA Battery x 2 pcs (Receiver)
MICROPHONE DIMENSION	23.8 X 5.0 X 5.0 cm 9.4 X 2.0 X 2.0 inches
RECEIVER DIMENSION	12.5 X 4.2 X 2.2 cm 4.9 X 1.7 X 0.9 inches

WIRELESS MICROPHONE INFORMATION

Warning: Modifying, tampering with, or adjusting this unit, or replacing any transmitter component (crystal, semiconductor, etc.) may result in a violation of the FCC rules.

FCC NOTICE

This wireless microphone system complies with Part 90 of FCC Rules. There is one frequency available for the system. You must obtain a license for the frequency you plan to use before operating your system. Visit <http://wireless.fcc.gov/uls/> or call your local FCC office to apply for your license. Your ability to obtain a license will depend on how you plan to use the system.

For RF exposure

“IMPORTANT NOTE: To comply with the FCC RF exposure compliance requirements, no change to the antenna or the device is permitted. Any change to the antenna or the device could result in the system exceeding the RF exposure requirements.”

SAFETY INFORMATION

Your wireless microphone contains a low power transmitter. When the EUT is power on and it sends out radio frequency (RF) signals. In August 1996, the Federal Communications Commissions (FCC) adopted RF exposure guidelines with safety levels for wireless devices.

IMPORTANT

To maintain compliance with the FCC's RF exposure guidelines hold the transmitter and antenna at least 1 inch (2.5 centimeters) from your face and speak in a normal voice, with the antenna pointed up and away from the face. Ensure that the antenna is at least 1 inch (2.5 centimeters) from your body when you using your wireless microphone.

Use only the supplied antenna. Unauthorized antennas, modifications, or attachments could damage the transmitter and may violate FCC regulations.