

AP-68 Series Wireless Access Point

Installation Guide

About the Aruba AP-68 Series

The Aruba AP-68 and AP-68P are single-radio, single-band wireless access points that support the IEEE 802.11n standard for high-performance WLAN. These access points deliver high-performance, 802.11n 2.4 GHz functionality while simultaneously supporting existing 802.11b/g wireless services. The AP-68 Series access points work only in conjunction with an Aruba Controller.

The Aruba AP-68 Series access point provides the following capabilities:

- Wireless transceiver
- Protocol-independent networking functionality
- IEEE 802.11b/g/n operation as a wireless access point
- IEEE 802.11b/g/n operation as a wireless air monitor
- Compatibility with IEEE 802.3af PoE
- Central management configuration and upgrades through an Aruba Controller



The Aruba AP-68 Series requires ArubaOS 6.0 or later.

Package Contents

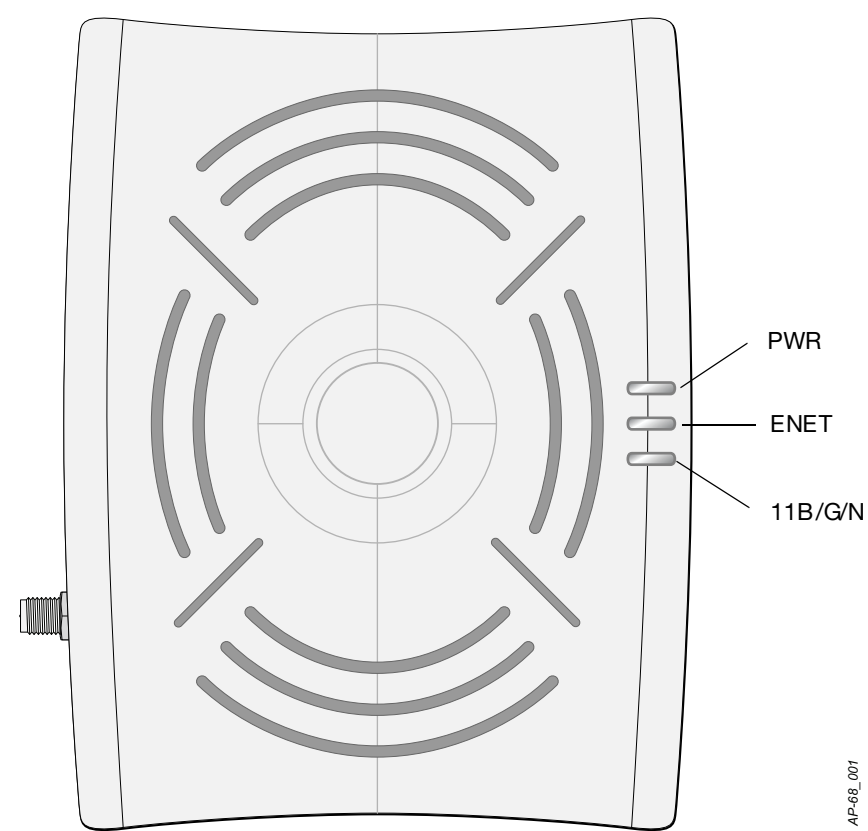
- AP-68 or AP-68P access point
- Installation Guide
- 9/16-inch Ceiling Rail Adapter
- 15/16-inch Ceiling Rail Adapter
- Ceiling Rail Adapter Installation Guide
- 4x Rubber Feet



Inform your supplier if there are any incorrect, missing, or damaged parts. If possible, retain the carton, including the original packing materials. Use these materials to repack and return the unit to the supplier if needed.

AP-68 Series Hardware Overview

Figure 1 Front (AP-68P Shown)

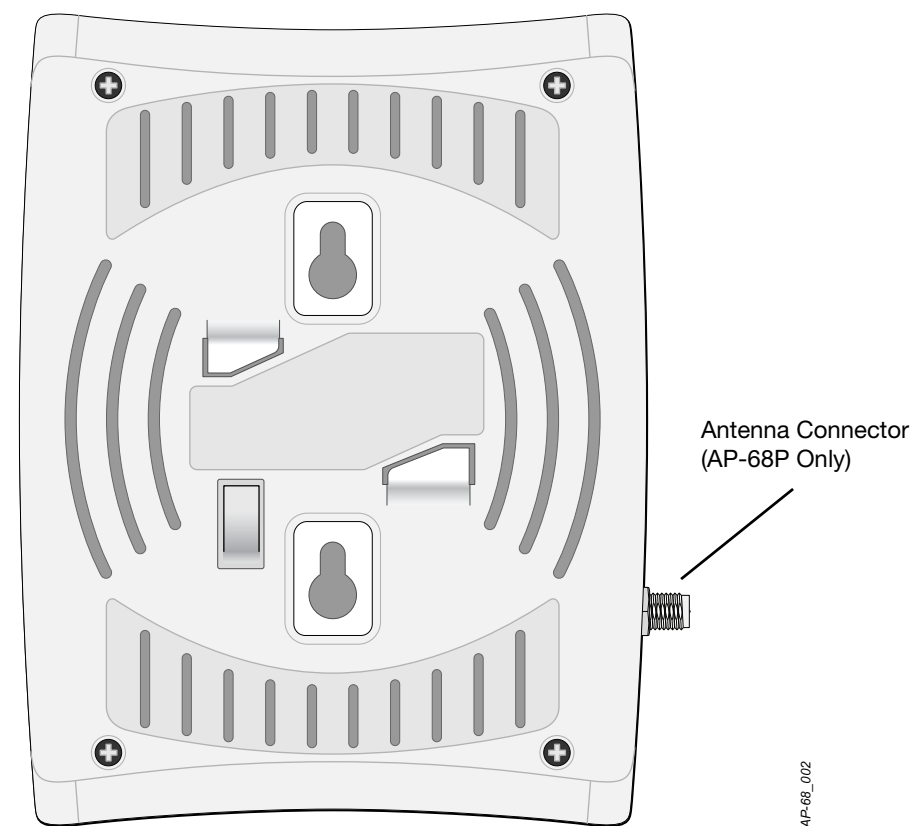


LEDs

- PWR: Indicates whether or not the AP-68 Series is powered-on
- ENET: Indicates the status of the AP-68 Series's Ethernet port
- 11B/G/N: Indicates the status of the 802.11b/g/n radio

For information about the AP-68 Series's LED behavior, see [Table 1](#).

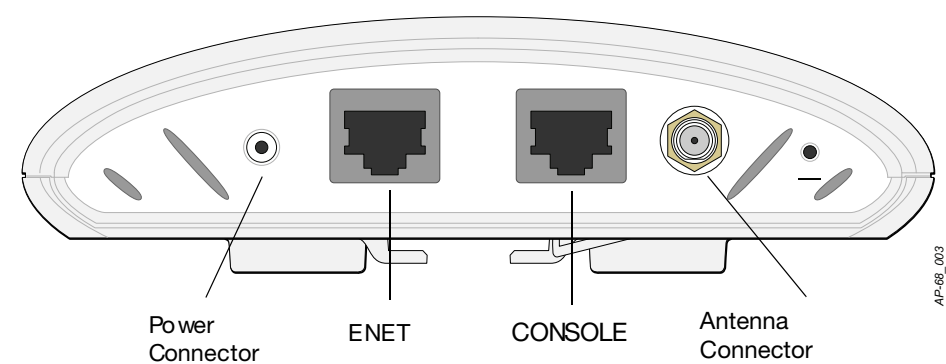
Figure 2 Rear (AP-68P Shown)



External Antenna Connector

The AP-68P is designed for use with an external antenna. The AP-68 is equipped with internal antennas.

Figure 3 Bottom (AP-68P Shown)



Console Port

Use the console port to connect to a terminal for direct local management.

Ethernet Port

AP-68 Series is equipped with a single 10/100Base-T (RJ-45) auto-sensing, MDI/MDX wired-network connectivity port. This port supports IEEE 802.3af Power over Ethernet (PoE) compliance, accepting 48VDC as a standard defined Powered Device (PD) from a Power Sourcing Equipment (PSE) such as a PoE midspan injector, or network infrastructure that supports PoE.

DC Power Socket

If PoE is not available, an optional Aruba 12V AP AC-DC adapter kit (sold separately) can be used to power the AP-68 Series.

Before You Begin



FCC Statement: Improper termination of access points installed in the United States configured to non-US model controllers will be in violation of the FCC grant of equipment authorization. Any such willful or intentional violation may result in a requirement by the FCC for immediate termination of operation and may be subject to forfeiture (47 CFR 1.80).



EU Statement: Lower power radio LAN product operating in 2.4 GHz band. Please refer to the *ArubaOS User Guide* for details on restrictions.



Produit réseau local radio basse puissance opérant dans la bande fréquence 2.4 GHz. Merci de vous référer au *ArubaOS User Guide* pour les détails des restrictions.

Low Power FunkLAN Produkt, das im 2.4 GHz Band arbeitet. Weitere Informationen bezüglich Einschränkungen finden Sie im *ArubaOS User Guide*.

Apparati Radio LAN a bassa Potenza, operanti a 2.4 GHz. Fare riferimento alla *ArubaOS User Guide* per avere informazioni dettagliate sulle restrizioni.

Pre-Installation Network Requirements

After WLAN planning is complete and the appropriate products and their placement have been determined, the Aruba controller(s) must be installed and initial setup performed before the Aruba APs are deployed.

For initial setup of the controller, refer to the *ArubaOS Quick Start Guide* for the software version installed on your controller.

AP Pre-Installation Checklist

Before installing your AP-68 Series access point, be sure that you have the following:

- CAT5 UTP cable of required length
- One of the following power sources:
 - IEEE 802.3af-compliant Power over Ethernet (PoE) source
 - Aruba AP AC-DC adapter kit (sold separately)
- Aruba Controller provisioned on the network:
 - Layer 2/3 network connectivity to your access point

One of the following network services:

- Aruba Discovery Protocol (ADP)
- DNS server with an "A" record
- DHCP Server with vendor-specific options

Summary of the Setup Process



It is important that you verify the items listed under [AP Pre-Installation Checklist](#) before you attempt to set up and install an AP-68 Series access point.

Successful setup of an AP-68 Series access point consists of five tasks, which must be performed in this order:

1. Verify pre-installation connectivity.
2. Identify the specific installation location for each AP.
3. Install each AP.
4. Verify post-installation connectivity.
5. Configure each AP.



Aruba Networks, Inc., in compliance with governmental requirements, has designed the AP-68 Series access points so that only authorized network administrators can change the settings. For more information about AP configuration, refer to the *ArubaOS Quick Start Guide* and *ArubaOS User Guide*.



Access points are radio transmission devices and as such are subject to governmental regulation. Network administrators responsible for the configuration and operation of access points must comply with local broadcast regulations. Specifically, access points must use channel assignments appropriate to the location in which the access point will be used.

Verifying Pre-Installation Connectivity

Before you install APs in a network environment, make sure that the APs are able to locate and connect to the controller after power on. Specifically, you must verify the following conditions:

- When connected to the network, each AP is assigned a valid IP address
- APs are able to locate the controller

Refer to the *ArubaOS Quick Start Guide* for instructions on locating and connecting to the controller.

Identifying Specific Installation Locations

You can mount the AP-68 Series access point on a wall or on the ceiling. Use the AP placement map generated by Aruba's RF Plan software application to determine the proper installation location(s). Each location should be as close as possible to the center of the intended coverage area and should be free from obstructions or obvious sources of interference. These RF absorbers/reflectors/interference sources will impact RF propagation and should have been accounted for during the planning phase and adjusted for in RF plan.

Identifying Known RF Absorbers/Reflectors/Interference Sources

Identifying known RF absorbers, reflectors, and interference sources while in the field during the installation phase is critical. Make sure that these sources are taken into consideration when you attach an AP to its fixed location.

RF absorbers include:

- Cement/concrete—Old concrete has high levels of water dissipation, which dries out the concrete, allowing for potential RF propagation. New concrete has high levels of water concentration within the concrete, blocking RF signals.
- Natural Items—Fish tanks, water fountains, ponds, and trees
- Brick

RF reflectors include:

- Metal Objects—Metal pans between floors, rebar, fire doors, air conditioning/heating ducts, mesh windows, blinds, chain link fences (depending on aperture size), refrigerators, racks, shelves, and filing cabinets.
- Do not place an AP between two air conditioning/heating ducts. Make sure that APs are placed below ducts to avoid RF disturbances.

RF interference sources include:

- Microwave ovens and other 2.4 or 5 GHz objects (such as cordless phones)
- Cordless headset such as those used in call centers or lunch rooms

Installing the AP



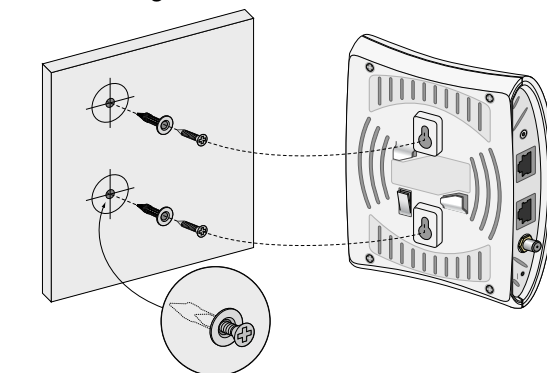
Service to all Aruba Networks products should be performed by trained service personnel only.

Using the Integrated Wall-Mounting Slots

The keyhole-shaped slots on the back of the AP can be used to attach the device upright to an indoor wall or shelf. When you choose the mounting location, allow additional space at the right of the unit for cables.

1. At the mounting location, install two screw on the wall or shelf, 2.1 inches (5.3 cm) apart. If you are attaching the device to drywall, Aruba recommends using appropriate wall anchors (not included).
2. Align the mounting slots on the rear of the AP over the screws and slide the unit into place.

Figure 4 Mounting AP-68 on a Wall



Using the Integrated Ceiling Tile Rail Slots

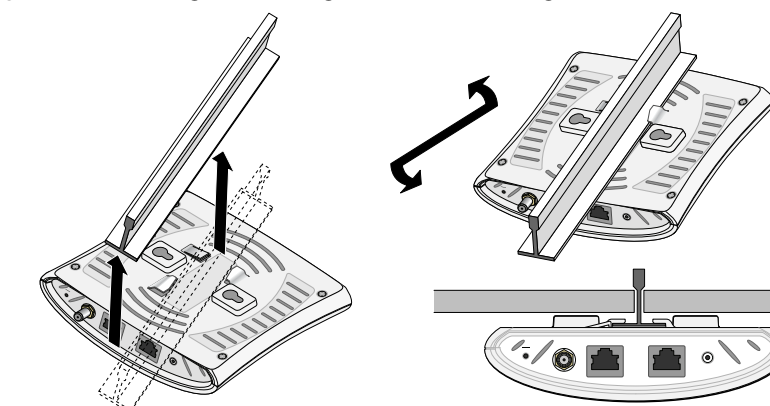
The snap-in tile rail slots on the rear of the AP can be used to securely attach the device directly to a 15/16" wide, standard ceiling tile rail.



Make sure the AP fits securely on the ceiling tile rail when hanging the device from the ceiling; poor installation could cause it to fall onto people or equipment.

1. Pull the necessary cables through a prepared hole in the ceiling tile near where the AP will be placed.
2. If necessary, connect the console cable to the console port on the bottom of the AP.
3. Hold the AP next to the ceiling tile rail with the ceiling tile rail mounting slots at approximately a 30-degree angle to the ceiling tile rail (see [Figure 5](#)). Make sure that any cable slack is above the ceiling tile.
4. Pushing toward the ceiling tile, rotate the AP clockwise until the device clicks into place on the ceiling tile rail.

Figure 5 Orienting the Ceiling Tile Rail Mounting Slots



Rubber Feet Installation

If you are installing your AP-68 Series on a flat surface (such as a desk), you must install the included rubber feet. Install these by inserting one foot into each of the four holes at each corner on the bottom of the AP.

Connecting Required Cables

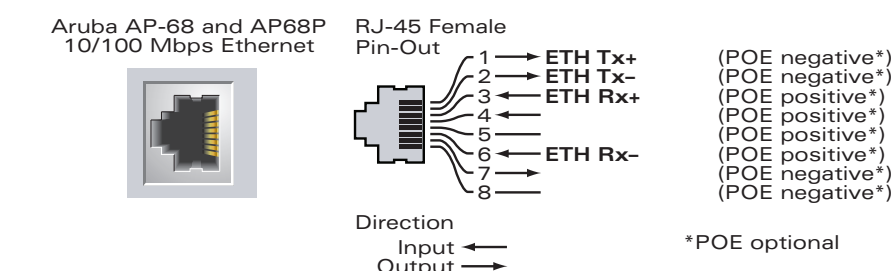
Install cables in accordance with all applicable local and national regulations and practices.

Ethernet Ports

The RJ45 Ethernet port (ENET) supports 10/100Base-T auto-sensing MDI/MDX connections. Use these ports to connect the AP to a twisted pair Ethernet LAN segment or directly to an Aruba Controller. Use a 4- or 8-conductor, Category 5 UTP cable up to 100 m (325 feet) long.

The 10/100 Mbps Ethernet port is on the back of the AP. The port has an RJ-45 female connector with the pin-outs shown in .

Figure 6 Fast Ethernet Port Pin-Out



Serial Console Port

The serial console port (Console) allows you to connect the AP to a serial terminal or a laptop for direct local management. This port is an RJ-45 female connector with the pinouts described in Figure 7. Connect this port directly to a terminal or terminal server using an Ethernet cable.

Use a modular adapter to convert the RJ-45 (female) connector on the AP to a DB-9 (male) connector, and connect the adapter to a laptop using an RS-232 cable. See Figure 8 for connector details of the adapter.

Figure 7 Serial Port Pin-Out

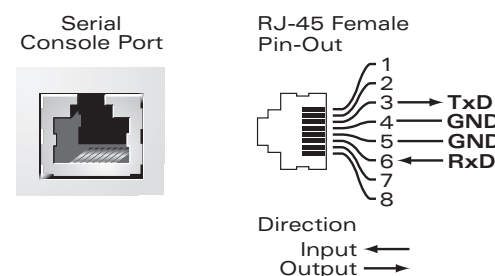
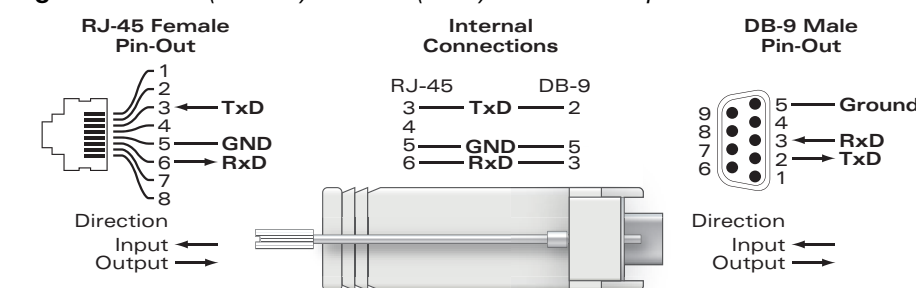


Figure 8 RJ-45 (Female) to DB-9 (Male) Modular Adapter Conversion



Power Connection

The AP-68 Series has a single 12V DC power jack socket to support powering through an AC-to-DC power adapter.

NOTE If both POE and DC power are available, the AP uses both POE and DC power even when there is not enough POE voltage available to power the AP.

Verifying Post-Installation Connectivity

The integrated LEDs on the AP can be used to verify that the AP is receiving power and initializing successfully (see Table 1). Refer to the *ArubaOS Quick Start Guide* for further details on verifying post-installation network connectivity.

Table 1 AP-68 Series LED Meanings

| LED | Color/State | Meaning |
|--------------------|----------------|----------------------------|
| PWR | Off | No power to AP |
| | Green flashing | Device booting, not ready |
| | Red steady | Initial power-up condition |
| | Green steady | Power on, device ready |
| ENET (10/100 Mbps) | Off | No link |
| | Green on | 10/100 Mbps link |
| | Green flashing | Ethernet link activity |

Table 1 AP-68 Series LED Meanings

| LED | Color/State | Meaning |
|---------|----------------|------------------------------------|
| 11B/G/N | Off | 2.4 GHz radio disabled |
| | Amber | 2.4 GHz radio enabled in WLAN mode |
| | Green | 2.4 GHz radio enabled in 11n mode |
| | Green flashing | 2.4 GHz Air Monitor |

Configuring the AP-68 Series

AP Provisioning/Reprovisioning

Provisioning parameters are unique to each AP. These local AP parameters are initially configured on the controller which are then pushed out to the AP and stored on the AP itself. Aruba recommends that provisioning settings be configured via the ArubaOS Web UI only. Refer to the *ArubaOS User Guide* for complete details.

AP Configuration

Configuration parameters are network or controller specific and are configured and stored on the controller. Network configuration settings are pushed out to the AP(s) but remain stored on the controller.

Configuration settings can be configured via the ArubaOS Web UI, ArubaOS CLI, or Aruba MMS. Refer to their respective guides for further details: the *ArubaOS User Guide* or *Aruba Mobility Management System User Guide*.

Product Specifications

Mechanical

- Dimensions (HxWxD):
 - 5.5 inches x 4.1 inches x 1.5 inches
 - 14.0 cm x 10.5 cm x 3.8 cm
- Weight: 145g/5.1 oz.
- Operating Temperature: 0°C to 40°C (32°F to 104°F)
- Storage Temperature: -10°C to 70°C (14°F to 158°F)
- Relative Humidity: 5% to 95% non-condensing
- Altitude: 3,000 m @ 50°C (122°F)
- Mounting: Wall or ceiling
- Visual Status Indicators (LEDs): See Table 1

Electrical

- Ethernet:
 - 1 x 10/100Base-T auto-sensing Ethernet RJ-45 Interfaces
 - MDI/MDX
 - IEEE 802.3 (10Base-T), IEEE 802.3u (100Base-T)
 - Power over Ethernet (IEEE 802.3af compliant), 48V DC/350mA (see Figure 6 for pin configuration)
- Power:
 - 12 VDC power interface, supports powering through an AC-to-DC power adapter



If a power adapter other than the one provided by Aruba Networks is used in the US or Canada, it should be NRTL Listed, with an output rated 12 VDC, minimum 1.25A, marked "LPS" or "Class 2," and suitable for plugging into a standard power receptacle in the US and Canada.

Wireless LAN

- Network Standards: IEEE 802.11b, IEEE 802.11g, and IEEE 802.11n
- Antenna Type (AP-68P):
 - 1x single-band antenna connectors (RP-SMA)
- Antenna Type (AP-68):
 - 2x 802.11b/g/n, internal
- Antenna Gain (Integrated Antennas):
 - 2.4 – 2.5 GHz/3 dBi (max)
- Radio Technology
 - Orthogonal Frequency Division Multiplexing (OFDM)
 - Direct Sequence Spread Spectrum (DSSS)
- Radio Modulation Type:
 - 802.11b - CCK, BPSK, QPSK
 - 802.11g - CCK, BPSK, QPSK, 16-QAM, 64-QAM
 - 802.11n draft 2.0
- Media Access Control: CSMA/CA with ACK
- Supported Frequency Bands 2.4GHz:
 - 2.400 – 2.4835GHz (Global), channels country specific
- Data Rates:
 - 802.11b - 1, 2, 5.5, 11 Mbps per channel
 - 802.11g - 6, 9, 12, 18, 24, 36, 48 and 54 Mbps per channel
 - 802.11n - Data rate MCS0 – MCS7 (from 6.5 Mbps to 150 Mbps)

Proper Disposal of Aruba Equipment

For the most current information about Global Environmental Compliance and Aruba products, see our website at www.arubanetworks.com.

Waste of Electrical and Electronic Equipment



Aruba products at end of life are subject to separate collection and treatment in the EU Member States, Norway, and Switzerland and therefore are marked with the symbol shown at the left (crossed-out wheeled bin). The treatment applied at end of life of these products in these countries shall comply with the applicable national laws of countries implementing Directive 2002/96/EC on Waste of Electrical and Electronic Equipment (WEEE).

European Union RoHS



Aruba products also comply with the EU Restriction of Hazardous Substances Directive 2002/95/EC (RoHS). EU RoHS restricts the use of specific hazardous materials in the manufacture of electrical and electronic equipment.

Specifically, restricted materials under the RoHS Directive are Lead (including Solder used in printed circuit assemblies), Cadmium, Mercury, Hexavalent Chromium, and Bromine. Some Aruba products are subject to the exemptions listed in RoHS Directive Annex 7 (Lead in solder used in printed circuit assemblies). Products and packaging will be marked with the "RoHS" label shown at the left indicating conformance to this Directive.

China RoHS



Aruba products also comply with China environmental declaration requirements and are labeled with the "EFUP 50" label shown at the left.

| 部件名称 (Parts) | 有害物质或元素 (Hazardous Substances) | | | | | |
|-------------------------------|--------------------------------|--------|--------|-------------------------|-------------|--------------|
| | 铅 (Pb) | 汞 (Hg) | 镉 (Cd) | 六价铬 (Cr ^{VI}) | 多溴联苯 (PBBs) | 多溴二苯醚 (PBDE) |
| 电路板 (PCA Board) | X | O | O | O | O | O |
| 机械组件 (Mechanical Subassembly) | X | O | O | O | O | O |

O: 表示该有害物质在该部件所有均质材料中的含量均在SJ/T11363-2006标准规定的限量要求以下。
This component does not contain this hazardous substance above the maximum concentration values in homogeneous materials specified in the SJ/T11363-2006 Industry Standard.

X: 表示该有害物质在该部件所有均质材料中的含量超出SJ/T11363-2006标准规定的限量要求。
This table shows where these substances may be found in the supply chain of electronic information products, as of the date of sale of the enclosed product.

对销售之目的所有产品, 本表显示, 供应链的电子产品信息产品可能包含这些物质。
This table shows where these substances may be found in the supply chain of electronic information products, as of the date of sale of the enclosed product.

此标志为针对所涉产品的环保使用期标志。
某些零部件会有一个不同的环保使用期(例如, 电池单元模块) 贴在其产品上。
此环保使用期只适用于产品手册中所规定的条件下工作。
The Environment-Friendly Use Period (EFUP) for all enclosed products and their parts are per the symbol shown here. The Environment-Friendly Use Period is valid only when the product is operated under the conditions defined in the product manual.

Safety and Regulatory Compliance

Aruba Networks provides a multi-language document that contains country-specific restrictions and additional safety and regulatory information for all Aruba access points. This document can be viewed or downloaded from the following location: www.arubanetworks.com/safety_addendum



RF Radiation Exposure Statement: This equipment complies with FCC RF radiation exposure limits. This equipment should be installed and operated with a minimum distance of 20 cm between the radiator and your body for 2.4 GHz and 5 GHz operations. This transmitter must not be co-located or operating in conjunction with any other antenna or transmitter.

FCC and Industry Canada Statement

This device has been tested and found to comply with the limits for a Class B digital device, pursuant to Part 15 of the FCC Rules and Canadian ICES-003.

Products available in USA and Canada, only channels 1 through 11 can be used. Do not operate such products on any other channels.

AP-68 Series Wireless Access Point Installation Guide



Contacting Aruba Networks

Table 1

| Web Site Support | |
|--|---|
| Main Site | http://www.arubanetworks.com |
| Support Site | https://support.arubanetworks.com |
| Software Licensing Site | https://licensing.arubanetworks.com/login.php |
| Wireless Security Incident Response Team (WSIRT) | http://www.arubanetworks.com/support/wsirt.php |
| Americas and APAC Support Email | support@arubanetworks.com |
| EMEA Support Email | emea.support@arubanetworks.com |
| WSIRT Email Please email details of any security problem found in an Aruba product. | wsirt@arubanetworks.com |

Table 2

| Telephone Support | |
|-------------------|-------------------|
| Aruba Corporate | +1 (408) 227-4500 |
| FAX | +1 (408) 227-4550 |

Copyright

© 2010 Aruba Networks, Inc. AirWave®, Aruba Networks®, Aruba Mobility Management System®, Blugscanner, For Wireless That Works®, Mobile Edge Architecture, People Move, Networks Must Follow®, RFPProtect®, The All Wireless Workplace Is Now Open For Business, and The Mobile Edge Company® are trademarks of Aruba Networks, Inc. All rights reserved. All other trademarks are the property of their respective owners.

Open Source Code

Certain Aruba products include Open Source software code developed by third parties, including software code subject to the GNU General Public License ("GPL"), GNU Lesser General Public License ("LGPL"), or other Open Source Licenses. The Open Source code used can be found at this site: http://www.arubanetworks.com/open_source

Legal Notice

The use of Aruba Networks, Inc. switching platforms and software, by all individuals or corporations, to terminate other vendors' VPN client devices constitutes complete acceptance of liability by that individual or corporation for this action and indemnifies, in full, Aruba Networks, Inc. from any and all legal actions that might be taken against it with respect to infringement of copyright on behalf of those vendors.

Warranty

This hardware product is protected by the standard Aruba warranty of one year parts/labor. For more information, refer to the ARUBAGARE SERVICE AND SUPPORT TERMS AND CONDITIONS. Altering this device (such as painting it) voids the warranty.



www.arubanetworks.com
1344 Crossman Avenue
Sunnyvale, California 94089
Phone: 408.227.4500
Fax 408.227.4550

AP-68 Series Wireless Access Point | Installation Guide
Part Number 0510760-04 | November 2010



Safety and Regulatory
Addendum

0510272-03

December 2009

Table of Contents

Translations of Aruba Networks Safety and Regulatory Addendum

| | |
|------------------|-----|
| English..... | 3 |
| Česky..... | 13 |
| Dansk..... | 18 |
| Deutsch..... | 24 |
| Eesti..... | 30 |
| Ελληνικά..... | 35 |
| Español..... | 41 |
| Français..... | 47 |
| Italiano..... | 53 |
| Latviski..... | 59 |
| Anglų kalba..... | 64 |
| Magyar..... | 70 |
| Nederlands..... | 76 |
| Polski..... | 81 |
| Português..... | 88 |
| Suomi..... | 94 |
| Svenska..... | 99 |
| Slovenčina..... | 105 |
| Slovenščina..... | 111 |

English

Federal Communications Commission (United States)

Regulatory Compliance Information for Access Points

This device complies with part 15 of the FCC Rules. Operation is subject to the following two conditions: (1) This device may not cause harmful interference, and (2) this device must accept any interference received, including interference that may cause undesired operation.

This equipment has been tested and found to comply with the limits for a Class B digital device, pursuant to part 15 of the FCC Rules. These limits are designed to provide reasonable protection against harmful interference in a residential installation. This equipment generates, uses and can radiate radio frequency energy and, if not installed and used in accordance with the instructions, may cause harmful interference to radio communications. However, there is no guarantee that interference will not occur in a particular installation. If this equipment does cause harmful interference to radio or television reception, which can be determined by turning the equipment off and on, the user is encouraged to try to correct the interference by one or more of the following measures:

- Reorient or relocate the receiving antenna.
- Increase the separation between the equipment and receiver.
- Connect the equipment into an outlet on a circuit different from that to which the receiver is connected.
- Consult the dealer or an experienced radio/TV technician for help.

RF Exposure Statement:

The device has been found to be compliant to the requirements set forth in CFR 47 Sections 2.1091 for an uncontrolled environment. The antenna(s) used for this transmitter must be installed to provide a separation distance of at least 35 cm from all persons and must not be co-located or operating in conjunction with any other antenna or transmitter.

Caution:

Any changes or modifications not expressly approved by Aruba Networks could void the user's authority to operate this equipment.

Regulatory Compliance Information for Mobility Controllers

This equipment has been tested and found to comply with the limits for a Class A digital device, pursuant to part 15 of the FCC Rules. These limits are designed to provide reasonable protection against harmful interference when the equipment is operated in a commercial environment. This equipment generates, uses, and can radiate radio frequency energy and, if not installed and used in accordance with the instruction manual, may cause harmful interference to radio communications. Operation of this equipment in a residential area is likely to cause harmful interference in which case the user will be required to correct the interference at his own expense.

Industry Canada (Canada)

Regulatory Compliance Information for Access Points

This digital apparatus does not exceed the Class B limits for radio noise emissions from digital apparatus as set out in the interference-causing equipment standard entitled "Digital Apparatus," ICES-003 of the Department of Communications.

Cet appareil numérique respecte les limites de bruits radioélectriques applicables aux appareils numériques de Classe B prescrites dans la norme sur le matériel brouilleur: "Appareils Numériques," NMB-003 édictée par le ministère des Communications.

This device complies with RSS 210 of Industry Canada. Operation is subject to the following two conditions: (1) this device may not cause interference, and (2) this device must accept any interference, including interference that may cause undesired operation of this device."

L' utilisation de ce dispositif est autorisée seulement aux conditions suivantes : (1) il ne doit pas produire de brouillage et (2) l' utilisateur du dispositif doit être prêt à accepter tout brouillage radioélectrique reçu, même si ce brouillage est susceptible de compromettre le fonctionnement du dispositif.

Regulatory Compliance Information for Mobility Controllers

This Class A digital apparatus complies with Canadian ICES-003

Cet appareil numérique de la classe A est conforme à la norme NMB-003 du Canada.

Unauthorized Use

This device must be installed and used in strict accordance with the manufacturer's instructions as described in the user documentation that are provided with the product or the provided website link.

In some situations or environments, the use of wireless devices may be restricted or prohibited. These situations may, for example, include the use of wireless equipment on board airplanes, or in any other environment where the risk of interference to other devices or services is perceived or identified as harmful.

If you are uncertain of the policy or regulations that apply to the use of wireless equipment in a specific organization or environment (e.g. airports), you are advised to ask for authorization to use this device prior to operation of the equipment.

Modifications

Any changes or modifications to this device that are not expressly approved by the manufacturer may void the user's authority to operate the equipment. Such modifications, substitutions or attachments may be against regulations and interference to any radio or television caused by such unauthorized action will be the sole responsibility of the user and may be in violation of law. The manufacturer and its authorized resellers or distributors are not liable for any damage or violation of government regulations that may arise from failure to adhere with these guidelines.

General Information to the User

Wireless Access Point products are based on IEEE 802.11 standards for wireless LANs as defined and approved by the Institute of Electrical and Electronics Engineers. Products designed according the IEEE 802.11a and IEEE 802.11g standards standard use Orthogonal Frequency Division Multiplexing (OFDM) radio technology. Products designed according the IEEE 802.11b standard use Direct Sequence Spread Spectrum (DSSS) radio technology. These products are designed to be interoperable with other wireless products that comply with the corresponding standards.

Wireless LAN and Your Health

Wireless LAN products, like other radio devices, emit radio frequency electromagnetic energy. The level of emitted energy however is less than the electromagnetic energy emitted by other wireless devices like mobile phones, for example. Because Wireless LAN products operate within the guidelines found in radio frequency safety standards and recommendations, we believe that our

Wireless LAN products are safe for use by consumers. These standards and recommendations reflect the consensus of both government and the scientific community and result from deliberations of panels and committees of scientists who continually review and interpret the extensive research literature.

Caution: Exposure to Radio Frequency Radiation

To comply with the FCC, Industry Canada, EU and other world regulatory agency's' radio frequency exposure requirements, the following antenna installation and device operating configurations must be satisfied:

For Wireless Access Points, using an approved external antenna, the separation distance between the antenna and any person's body (including hands, wrists, feet and ankles) must be at least 38.5 cm (16") for antenna AP-ANT-7, and 35 cm (8") for the following antennae:

AP-ANT-1, AP-ANT-2, AP-ANT-3, AP-ANT-4, AP-ANT-5, AP-ANT-6, AP-ANT-8, AP-ANT-9, AP-ANT-10, AP-ANT-11, AP-ANT-12, AP-ANT-80, AP-ANT-81, AP-ANT-82, AP-ANT-83, AP-ANT-84, AP-ANT-85, AP-ANT-86, AP-ANT-87, AP-ANT-88, and AP-ANT-89.

The transmitter shall be installed with a minimum distance of 35cm to other transmitter or antennas.

Europe

European Communities



XXXX=0681 AP70, XXXX=1313 AP65, XXXX=0681 AP60/61, XXXX=0560 AP40/41, 80

Declaration of Conformity

Aruba Networks, Inc.

1322 Crossman Avenue, Sunnyvale, CA 94089, USA,

Declares that the Aruba Wireless Access Point, Model: APXX conforms to the following European directives:

*R&TTE Directive 1995/5/EC
The WEEE Directive 2002/96/EC
RoHS Directive 2002/95/EC*

R&TTE Directive Relevant Standards:

*Article 3.2; EN 300 328v1.5.1 and, EN 301 893 v1.2.3
Article 3.1b; EN 301 489-17 v1.2.1
Article 3.1a; EN 60950*

Year Mark first applied: 2005

And,

*Aruba Mobility Controllers, Model: 800, 2400, 6000, and A200
Conforms to the following European directives:*

*Low Voltage Directive 73/23/EEC
EMC Directive 89/336/EEC
With Amendment 93/68/EEC*

Relevant Standards:

*Safety: EN60950:2001
EMC: EN55022:1998
EN55024:1998*

Year Mark first applied: 2003

I, the undersigned, hereby declare that the equipment specified above conforms to the above Directives and Standards.

*Michael Smith
2006-07-01
Manager, Compliance Engineering
1322 Crossman Ave., Sunnyvale, CA 94089, USA
For detailed information visit: www.arubanetworks.com*

*European Headquarters
77 Oxford Street
London, W1D 2ES*

United Kingdom
Phone: +44 20 7659 2024
Fax: +44 20 7043 5871
Contact: Albert Benhamou
info-emea@arubanetworks.com

EMC Compliance and Warning Statement

This equipment has been tested and found to comply with the limits of the standard for medical devices, IEC 60601-1-2:2001. The unit also complies with the requirement of EN60601-1-2: 1998, providing the presumption of compliance to the European Unions' Medical Device Directive 93/42/EEC. The limits are designed to provide reasonable protection against harmful interference in a typical medical installation. This equipment generates, uses and can radiate radio frequency energy, and, if not installed and used in accordance with the manufacturer's instruction may cause harmful interference to other devices in the vicinity. However, there is no guarantee that interference will not occur in a particular installation. If this equipment causes interference with other devices, which may be determined by turning the equipment off and on, the user is encouraged to try and correct the interference by one or more of the following measures:

- Reorient or relocate the device receiving the interference
- Increase the separation between the equipment
- Connect the equipment into an outlet on a circuit different from that to which the other device(s) are connected
- Consult the manufacturer or field service technician for help

EC Restrictions

Some European countries may restrict operation of this device and may be subject to specific output power limits, installation restrictions or frequency band restrictions.

Explosive Safety Warning

Warning! Do not operate the access point near explosive devices, unshielded blasting caps or in an otherwise explosive environment unless the device has been approved for such use by qualified personnel.

Warning! Do not disconnect the power or any other cabling in an explosive environment until such qualified personnel, trained specifically in explosive environment handling, have determined it is safe to do so

Warning! Do not touch or move the access point when the antennas are transmitting or receiving.

Lightning Warning

Warning! Do not connect or disconnect cables or otherwise work with the access point hardware during periods of lightning activity.

Avoid using this product during an electrical storm. There may be a remote risk of electric shock from lightning

Important Safety Instructions

When using this device, basic safety precautions should always be followed to reduce the risk of fire, electric shock and injury to persons, including the following: Do not use this product near water, for example, near a bath tub, wash bowl, kitchen sink or laundry tub, in a wet basement or near a swimming pool.

Installation

Trained Service Personnel Warning

Warning! Service to all Aruba Networks products should be performed by trained service personnel only.

Read and follow all warning notices and instructions marked on the product or included in the documentation. Before installing the product, read the rest of this document and follow specific product instructions.

When installing, the placement of the device must also satisfy the following installation requirements:

If not operating with POE, connect the unit's AC adapter to an AC wall outlet (100-240 VAC) using only the standard power cord/adapter provided with the product.

Placement must allow for easily disconnecting the power cord/adapter of the device from the AC wall-outlet.

Do not cover the device, or block the airflow to the device with any other objects.

Keep the device away from excessive heat and humidity and keep the device free from vibration and dust.

Installation must at all times conform to local regulations.

When the device will be connected to an outdoor antenna system, consult the documentation that came with the outdoor antenna kit for additional regulatory information, safety instructions and installation requirements.

Connections to Wireless Access Point can be made with either Unshielded Twisted Pair (UTP) or Shielded Twisted Pair cabling (STP) cabling. When using the device in combination with Power over Ethernet, only use Shielded Twisted Pair cabling (STP).

When the cabling is installed in plenums, use only plenum rated cabling.

Electrostatic Discharge Warning

Warning! Wear an anti-static wrist strap or take other suitable measures to prevent electrostatic discharge when handling this equipment.

Acoustic Noise Compliance

Aruba Networks equipment complies with ISO EN 7779 requiring that the acoustic noise level be less than 70 dB(A).

Power Hazard Warning

Warning! Never install or construct a radio mast, pole, or tower near overhead power lines.

Warning! The POE power injector module is designed for indoor use only.

ROHS/WEEE



This product at end of life is subject to separate collection and treatment in the EU Member States, Norway, and Switzerland and therefore is marked with the symbol shown above. Treatment applied at end of life of these products in these countries shall comply with the applicable national laws implementing Directive 2002/96/EC on Waste of Electrical and Electronic Equipment (WEEE).

The WEEE Directive 2002/96/EC and RoHS (Restriction of Hazardous Substances) Directive 2002/95/EC set collection, recycling and recovery targets for various categories of electrical products and their waste.

The Restriction on Hazardous Substances Directive (RoHS) (2002/95/EC), which accompanies the WEEE Directive, bans the use of heavy metals and brominated flame-retardants in the manufacture of electrical and electronic equipment. Specifically, restricted materials under the RoHS Directive are Lead (including Solder used in PCB's), Cadmium, Mercury, Hexavalent Chromium, and Bromine.

Aruba declares compliance with the European Union (EU) WEEE Directive (2002/96/EC). For more information on WEEE, refer to:

<http://www.dti.gov.uk/sustainability/weee/>

Plenum

The Aruba wireless access point complies with UL 2043 for products installed in a building's environmental air handling spaces.

Korea

Regulatory Compliance Information for Access Points

가정용 방송통신기기
기기는 가정용으로 전자파적합등록을 한 기기로서 주거지역에서는 물론 모든 지역에서 사용할 수 있습니다.

Regulatory Compliance Information for Mobility Controllers

이 기기는 업무용으로 전자파적합등록을 한 기기이오니 판매자 또는 사용자는 이 점을 주의하시기 바라며 만약 잘못 판매 또는 구입하였을 때에는 가정용으로 교환하시기 바랍니다.

Taiwan

Regulatory Compliance Information for Access Points

經型式認證合格之低功率射頻電機，非經許可，公司、商號或使用者均不得擅自變更頻率、加大功率或變更原設計之特性及功能。

低功率射頻電機之使用不得影響飛航安全及干擾合法通信；經發現有干擾現象時，應立即停用，並改善至無干擾時方得繼續使用。前項合法通信，依電信法規定作業之無線電通信。

低功率射頻電機須忍受合法通信或工業、科學及醫療用電波輻射性電機設備之干擾

無線傳輸設備 (UNII)

在 5.25-5.35 兆赫頻帶內操作之無線資訊傳輸設備，限於室內使用。

無線資訊傳輸設備忍受合法通信之干擾且不得干擾合法通信；如造成干擾，應立即停用，俟無干擾之虞，始得繼續使用。

無線資訊傳設備的製造廠商應確保頻率穩定性，如依製造廠商使用手冊上所述正常操作，發射的信號應維持於操作頻帶中。

Regulatory Compliance Information for Mobility Controllers

警告使用者:

這是甲類的資訊產品，在居住的環境中使用時，可能會造成射頻干擾，在這種情況下，使用者會被要求採取某些適當的對策。

Japan

Regulatory Compliance Information for Access Points

この製品は法律により、5GHz帯での屋外使用を禁じられています。

Regulatory Compliance Information for Mobility Controllers

この装置は、情報処理装置等電波障害自主規制協議会 (VCCI) の基準に基づくクラス A 情報技術装置です。この装置を家庭環境で使用すると電波妨害を引き起こすことがあります。この場合には使用者が適切な対策を講ずるよう要求されることがあります。

Česky

USA, Kanada, ostatní státy

Neoprávněné použití

Toto zařízení musí být nainstalováno a používáno přesně podle pokynů výrobce uvedených v uživatelské dokumentaci, která se dodává společně s výrobkem nebo je k dispozici na webových stránkách.

V některých situacích a za určitých okolností může být použití bezdrátových zařízení omezeno nebo zakázáno. K těmto situacím například patří použití bezdrátových zařízení na palubě letadla nebo v jakémkoli prostředí, ve kterém je riziko rušení jiných zařízení či služeb chápáno nebo považováno za škodlivé.

Neznáte-li pravidla nebo předpisy týkající se použití bezdrátových zařízení v konkrétní organizaci nebo prostředí (např. na letišti), doporučujeme vám požádat před použitím zařízení o svolení.

Úpravy

Jakékoli změny nebo úpravy zařízení, které nejsou výslovně povoleny výrobcem, mohou zbavit uživatele oprávnění k použití zařízení. Takové úpravy, náhrady nebo použité příslušenství nemusí odpovídat předpisům. Výlučnou odpovědnost za rušení rozhlasového či televizního signálu způsobené neoprávněným zásahem do zařízení nese uživatel. Neoprávněné zásahy do zařízení mohou být v rozporu se zákonem. Výrobce ani autorizovaný prodejce nenesou odpovědnost za žádné škody ani za porušení právních předpisů, ke kterým by mohlo dojít v důsledku nedodržení těchto pokynů.

Všeobecné informace pro uživatele

Zařízení WAP (Wireless Access Point - bezdrátový přístupový bod) splňují požadavky normy IEE 802.11 pro bezdrátové sítě LAN, kterou stanovila a vypracovala Společnost pracovníků v elektrotechnice a elektronice (Institute of Electrical and Electronics Engineers). Zařízení zkonstruovaná v souladu s požadavky norem IEEE 802.11a a IEEE 802.11g standardně využívají rádiovou technologii OFDM (Orthogonal Frequency Division Multiplexing – ortogonální kmitočtový multiplex). Zařízení zkonstruovaná v souladu s požadavky normy IEEE 802.11b využívají rádiovou technologii DSSS (Direct Sequence Spread Spectrum – přímé rozprostření spektra). Tato zařízení jsou navržena tak, aby mohla vzájemně spolupracovat s jinými bezdrátovými zařízeními splňujícími příslušné normy.

Bezdrátová síť LAN a lidské zdraví

Zařízení pro bezdrátové sítě LAN, podobně jako ostatní rádiová zařízení, vyzařují vysokofrekvenční elektromagnetickou energii. Množství vyzařované energie je však nižší než u jiných bezdrátových zařízení, jako jsou například mobilní

telefony. Protože naše zařízení pro bezdrátové sítě LAN fungují v souladu s pokyny obsaženými v bezpečnostních normách a doporučeních pro vysokofrekvenční zařízení, domníváme se, že jejich provoz není pro zákazníky nebezpečný. Uvedené normy a doporučení odrážejí dohodu vlády a vědecké komunity a jsou výsledkem konzultací vědeckých komisí a výborů, které nepřetržitě sledují a interpretují rozsáhlou literaturu o výzkumu této problematiky.

Upozornění: Vystavení vysokofrekvenčnímu záření

Pro účely splnění norem FCC, Industry Canada, EU a dalších požadavků právních předpisů týkajících se vystavení vysoké frekvenci musí být dodržen následující postup instalace antény a provozního nastavení zařízení:

U bezdrátových přístupových bodů se schválenou externí anténou musí být odstup mezi anténou a lidským tělem (včetně rukou, zápěstí, chodidel a kotníků) minimálně 38,5 cm pro anténu AP-ANT-7 a 20 cm pro následující typy antén: AP-ANT-1, AP-ANT-2, AP-ANT-3, AP-ANT-4, AP-ANT-5, AP-ANT-6, AP-ANT-8, AP-ANT-9, AP-ANT-10, AP-ANT-11, AP-ANT-12, AP-ANT-80, AP-ANT-81, AP-ANT-82, AP-ANT-83, AP-ANT-84, AP-ANT-85, AP-ANT-86, AP-ANT-87, AP-ANT-88 a AP-ANT-89.

Vysílač nesmí být umístěn společně s jinými vysílači nebo anténami.

Evropa

Evropské společenství



XXXX=0681 AP70, XXXX=1313 AP65, XXXX=0681 AP60/61, XXXX=0560 AP40/41, 80

Prohlášení o shodě

*Společnost Aruba Wireless Networks, Inc
1322 Crossman Avenue, Sunnyvale, CA 94089, USA,
tímto prohlašuje, že bezdrátový přístupový bod Aruba, model: APXX
splňuje požadavky následujících evropských norem:*

*Směrnice 1995/5/EC RTTE
Směrnice 2002/96/EC WEE
Směrnice 2002/95/EC RoHS*

Příslušné normy týkající se směrnice RTTE:

*Článek 3.2; EN 300 328v1.5.1 a EN 301 893 v1.2.3
Článek 3.1b; EN 301 489-17 v1.2.1
Článek 3.1a; EN 60950*

První uvedení značky roku: 2005

Níže podepsaný tímto prohlašuji, že popsané zařízení je v souladu s uvedenými směrnici a normami.

Michael Smith

2006-07-01

1322 Crossman Avenue, Sunnyvale, CA 94089, USA

Podrobnější informace naleznete na webové stránce www.arubanetworks.com

Evropská centrála

77 Oxford Street

London, W1D 2ES

United Kingdom

Telefon: +44 20 7659 2024

Fax: +44 20 7043 5871

Kontakt: Albert Benhamou

info-emea@arubanetworks.com

Omezení EC

Některé evropské země mohou omezit provoz tohoto zařízení a zavést určitá omezení výstupního výkonu, instalační omezení nebo omezení kmitočtového pásma.

Bezpečnostní upozornění týkající se výbušnosti

Varování! Přístupový bod neprovozujte v blízkosti výbušných zařízení, nechráněných rozbušek nebo v jiném výbušném prostředí, pokud použití zařízení v takovém prostředí nebylo schváleno kvalifikovaným odborníkem.

Varování! Ve výbušném prostředí neodpojujte napájecí ani žádný jiný kabel zařízení, pakliže nebyla bezpečnost takového postupu potvrzena kvalifikovaným odborníkem pro práci ve výbušném prostředí.

Varování! Nedotýkejte se přístupového bodu ani jej nepřesunujte, pokud antény právě vysílají nebo přijímají.

Upozornění týkající se blesku

Varování! Nepřipojujte ani neodpojujte kabely ani jiným způsobem nepoužívejte hardware přístupového bodu během blýskání.

Nepoužívejte zařízení během elektrické bouře. Hrozí určité riziko zasažení elektrickým proudem během blýskání.

Důležité bezpečnostní pokyny

Pro snížení rizika požáru, zásahu elektrickým proudem a úrazu osob při použití tohoto zařízení vždy dodržujte základní bezpečnostní opatření, včetně následujících: zařízení nepoužívejte v blízkosti vody, například u vany, umyvadla, kuchyňského dřezu nebo u prádelní kádě, ve vlhkém sklepu nebo v blízkosti bazénu.

Instalace

Upozornění týkající se kvalifikovaného servisního personálu

Varování! Instalaci smí provést pouze kvalifikovaný servisní personál. Přečtěte si a dodržujte všechna varování a pokyny uvedené na zařízení nebo v dokumentaci. Před instalací zařízení dočtěte tento dokument do konce a dodržujte zvláštní pokyny určené pro toto zařízení.

Při instalaci zařízení musí jeho umístění splňovat následující požadavky:

Pokud zařízení nepoužívá napájecí modul POE, připojte adaptér pro napájení střídavým proudem do zásuvky ve zdi (100-240 VAC). Použijte pouze standardní napájecí šňůru nebo adaptér dodaný se zařízením..

Zařízení musí být umístěno tak, aby se napájecí šňůra nebo adaptér daly snadno odpojit ze zásuvky ve zdi.

Zařízení nezakrývejte. Neblokujte proudění vzduchu kolem zařízení dalšími předměty.

Zařízení chraňte před vysokými teplotami, vlhkostí, vibracemi a prachem.

Při instalaci zařízení musí být dodrženy všechny místní předpisy.

Bude-li zařízení připojeno k venkovní anténě, přečtěte si další informace o předpisech, bezpečnostních pokynech a instalačních požadavcích v dokumentaci pro anténní sadu.

Připojení k bezdrátovému přístupovému bodu může být provedeno buď pomocí kabeláže UTP (nestíněná kroucená dvojlinka), nebo STP (stíněná kroucená

dvojlinka). Provozujete-li zařízení v kombinaci s napájecím modulem Power over Ethernet, použijte pouze kabeláž STP.

Pokud je kabeláž nainstalována ve volném prostoru, použijte pouze kabeláž dimenzovanou pro volný prostor.

Upozornění týkající se elektrostatického vybíjení

Varování! Používejte antistatický náramek nebo přijměte jiná vhodná opatření, která zabrání elektrostatickému vybíjení při manipulaci se zařízením.

Upozornění na riziko související s elektrickým vedením

Varování! Nikdy neinstalujte ani nestavějte anténní stožár, tyč nebo věž v blízkosti nadzemního elektrického vedení.

Varování! Napájecí modul POE je určen k použití pouze v interiérech.



Směrnice OHS/WEEE

Toto zařízení je po ukončení životnosti určeno k likvidaci v tříděném odpadu v členských státech EU, Norsku a Švýcarsku, proto je označeno výše uvedeným symbolem. Způsob likvidace zařízení po ukončení životnosti v uvedených státech musí splňovat požadavky platných zákonů, vycházejících ze směrnice 2002/96/EC, o odpadních elektrických a elektronických zařízeních (WEEE).

Směrnice 2002/96/EC WEE a směrnice 2002/95/EC (RoHS – o omezení používání některých nebezpečných látek v elektrických a elektronických zařízeních) předepisuje sběr, recyklaci a obnovení pro různé kategorie elektrických a elektronických zařízení a jejich odpad.

Směrnice 2002/95/EC RoHS, která doprovází směrnici WEEE, zakazuje použití těžkých kovů a bromovaných samozhášecích přísad při výrobě elektrických a elektronických zařízení. K materiálům zakázaným směrnicí RoHS konkrétně patří olovo (včetně pájení na deskách plošných spojů), kadmium, rtuť, šestimocný chrom a brom.

Společnost Aruba prohlašuje, že zařízení splňuje požadavky směrnice Evropské unie (EU) 2002/96/EC WEEE. Podrobnější informace o směrnici WEEE naleznete na stránkách:

<http://www.dti.gov.uk/sustainability/weee/>

Volný prostor

Bezdrátový přístupový bod Aruba vyhovuje požadavkům normy UL 2043 pro zařízení nainstalovaná ve volném manipulačním prostoru v okolí budov.

Dansk

USA, Canada, verden

Ikke-autoriseret brug

Denne enhed skal installeres og anvendes i overensstemmelse med producentens anvisninger som beskrevet i brugerdokumentationen, der følger med produktet, eller det medfølgende internetlink.

Brug af trådløse enheder kan være begrænset eller forbudt i visse situationer eller miljøer. Disse situationer kan f.eks. omfatte brugen af trådløst udstyr om bord på fly eller i andre miljøer, hvor risikoen for forstyrrelser af andre enheder eller tjenester anses for eller er klassificeret som skadelig.

Hvis du er i tvivl om den politik eller de regler, der gælder for brugen af trådløst udstyr i en bestemt organisation eller i et bestemt miljø (f.eks. lufthavne), anbefales det, at du beder om godkendelse til brug af denne enhed, før du benytter udstyret.

Ændringer

Hvis der foretages ændringer af denne enhed, som ikke er udtrykkeligt godkendt af producenten, kan brugerens ret til at betjene udstyret bortfalde. En sådan ændring, udskiftning eller påsætning kan være forbudt, og ansvaret for interferens med radio- eller tv-apparater, der er forårsaget af en sådan uautoriseret handling, påhviler alene brugeren og kan være forbudt ifølge gældende lov. Producenten og dennes autoriserede forhandlere eller distributører er ikke ansvarlige for nogen skade eller overtrædelse af love, der måtte ske som følge af misligholdelse af disse retningslinjer.

Generelle oplysninger til brugeren

Trådløse adgangspunkt-produkter er baseret på IEEE 802.11-standarden for trådløse netværk, som er defineret og godkendt af IEEE (Institute of Electrical and Electronics Engineers). Produkter, der er udviklet i overensstemmelse med standarderne IEEE 802.11a og IEEE 802.11g, benytter OFDM-radioteknologi (Orthogonal Frequency Division Multiplexing). Produkter, der er udviklet i overensstemmelse med standarden IEEE 802.11b, benytter DSSS-radioteknologi (Direct Sequence Spread Spectrum). Disse produkter er udviklet til at fungere med andre trådløse produkter, som overholder de tilsvarende standarder.

Trådløse netværk og din sundhed

Som alt andet radioudstyr udsender trådløse netværksprodukter højfrekvens elektromagnetisk energi. Mængden af udsendt energi er dog mindre end den elektromagnetiske energi, der udsendes fra andet trådløst udstyr, f.eks. mobiltelefoner. Eftersom trådløse netværksprodukter fungerer inden for de

retningslinjer, der gælder for højfrekvenssikkerhedsstandarder og -anbefalinger, mener vi, at vores trådløse netværksprodukter er sikre at anvende for forbrugerne. Disse standarder og anbefalinger afspejler konsensus af både stat og det videnskabelige samfund og er et resultat af overvejelser fra videnskabsfolk og paneler, som løbende vurderer og fortolker den omfattende forskningslitteratur.

Forsigtig: Eksponering for højfrekvensstråling

For at overholde kravene fra FCC, Industry Canada, EU og andre kontrolorganers krav vedrørende eksponering af højfrekvens skal følgende konfigurationer af antenneinstallation og betjening af udstyr være opfyldt: Mht. trådløse adgangspunkter skal afstanden mellem en godkendt, ekstern antenne og en vilkårlig persons krop (herunder hænder, håndled, fødder og ankler) være mindst 38,5 cm for antennen AP-ANT-7 og 20 cm for følgende antenner:

AP-ANT-1, AP-ANT-2, AP-ANT-3, AP-ANT-4, AP-ANT-5, AP-ANT-6, AP-ANT-8, AP-ANT-9, AP-ANT-10, AP-ANT-11, AP-ANT-12, AP-ANT-80, AP-ANT-81, AP-ANT-82, AP-ANT-83, AP-ANT-84, AP-ANT-85, AP-ANT-86, AP-ANT-87, AP-ANT-88 og AP-ANT-89.

Senderen må ikke anbringes sammen med andre sendere eller antenner.

Europa

De Europæiske Fællesskaber



XXXX=0681 AP70, XXXX=1313 AP65, XXXX=0681 AP60/61, XXXX=0560 AP40/41, 80

Overensstemmelseserklæring

*Aruba Wireless Networks, Inc
1322 Crossman Avenue, Sunnyvale, CA 94089, USA,
Erklærer, at Aruba Wireless Access Point, model: APXX,*

overholder følgende EU-direktiver:

*R&TTE-direktiv 1995/5/EF
WEEE-direktiv 2002/96/EF
RoHS-direktiv 2002/95/EF*

Relevante standarder i R&TTE-direktivet:

*Artikel 3.2, EN 300 328v1.5.1 og EN 301 893 v1.2.3
Artikel 3.1b, EN 301 489-17 v1.2.1
Artikel 3.1a; EN 60950*

Første ansøgning om mærkning: 2005

Undertegnede erklærer hermed, at udstyret, der er angivet ovenfor, overholder de ovennævnte direktiver og standarder.

*Michael Smith
2006-07-01
1322 Crossman Ave., Sunnyvale, CA 94089, USA
Du finder yderligere oplysninger på: <http://www.arubanetworks.com>*

*European Headquarters
77 Oxford Street
London, W1D 2ES
United Kingdom
Tlf: +44 20 7659 2024
Fax: +44 20 7043 5871
Kontakt: Albert Benhamou
info-emea@arubanetworks.com*

EU-begrænsninger

Visse europæiske lande kan begrænse brugen af dette udstyr og kan have specifikke grænser for udgangseffekt, installationskrav eller begrænsninger af frekvensbånd.

Advarsel vedrørende eksplosionsfare

Advarsel! Adgangspunktet må ikke betjenes i nærheden af eksplosive anordninger, ubeskyttede sprængkapsler eller i andre eksplosive miljøer, medmindre udstyret er godkendt til dette brug af kvalificeret personale.

Advarsel! Undgå at frakoble strøm eller andre ledninger i et eksplosivt miljø, medmindre kvalificeret personale, der er specialuddannet i håndtering af eksplosive miljøer, har bestemt, at det er sikkert at gøre dette.

Advarsel! Undgå at berøre eller flytte adgangspunktet, når antennerne sender eller modtager.

Advarsel om lynnedslag

Advarsel! Undgå at tilslutte eller frakoble ledninger eller på anden måde håndtere adgangspunktet under tordenvejr.

Undgå at bruge produktet under tordenvejr. Der kan være en lille risiko for elektrisk stød efter et lynnedslag

Vigtige sikkerhedsinstruktioner

Ved brug af dette udstyr skal de grundlæggende sikkerhedsforanstaltninger altid følges for at undgå brand, elektrisk stød og personskade, herunder følgende: Undgå at bruge produktet i nærheden af vand, f.eks. i nærheden af badekar, vandfad, køkkenvask eller vaskebalje, i en fugtig kælder eller i nærheden af et svømmebassin.

Installation

Advarsel vedrørende kvalificerede fagfolk

Advarsel! Installationen må kun udføres af kvalificerede fagfolk. Læs og følg alle advarsler og instruktioner, der er angivet på produktet eller medfølger i dokumentationen. Læs resten af dette dokument, og følg de specifikke produktinstruktioner, før du installerer produktet.

Placeringen af udstyret skal også overholde følgende installationskrav under installationen:

Hvis enheden ikke betjenes med POE, slutes netadapteren til en stikkontakt (100-240 VAC) alene ved hjælp af standardnetledningen/-adapteren, der følger med produktet.

Placeringen skal gøre det nemt at frakoble enhedens elledning/adapter fra stikkontakten.

Undgå at tildække enheden eller blokere for lufttilstrømning til enheden.

Sørg for, at enheden holdes væk fra varme kilder og et fugtigt miljø, og undgå, at enheden udsættes for vibration og støj.

Installationen skal altid overholde de lokale bestemmelser.

Hvis enheden sluttes til et udendørs antennesystem, skal du læse den dokumentation, der fulgte med den udendørs antenne, for at få yderligere oplysninger om bestemmelser, sikkerhedsinstruktioner og installationskrav.

Tilslutning til trådløst adgangspunkt kan foretages ved hjælp af uafskærmede parsnoede kabler (UTP – Unshielded Twisted Pair) eller afskærmede parsnoede kabler (STP – Shielded Twisted Pair). Brug kun afskærmede parsnoede kabler, hvis enheden bruges i forbindelse med Power over Ethernet.

Brug kun trykluftklassificerede kabler, når kabelføringen installeres i rum med komprimeret luft.

Advarsel om elektrostatisk udladning

Advarsel! Benyt en antistatisk håndledsrem, eller tag andre egnede forholdsregler under håndtering af dette udstyr.

Advarsel om strømfare

Advarsel! Du må aldrig installere eller konstruere en radiomast, en pæl eller et tårn i nærheden af overhængende elledninger.

Advarsel! POE-strøminjektormodulet er kun beregnet til indendørs brug.



ROHS/WEEE

Dette produkt skal ved levetids ophør indsamles separat i EU, Norge og Schweiz og er derfor mærket med ovenstående symbol. Håndtering efter ophør af dette produkts levetid skal i disse lande overholde de gældende love, herunder EU-direktivet 2002/96/EF vedrørende WEEE-udstyr (Waste of Electrical and Electronic Equipment).

WEEE-direktivet 2002/96/EF og RoHS-direktivet (Restriction of Hazardous Substances) 2002/95/EF angiver retningslinjer for indsamling, genbrug og genindvinding for forskellige kategorier af elektriske produkter og elektrisk affald.

RoHS-direktivet (Restriction on Hazardous Substances) (2002/95/EF), som ledsager WEEE-direktivet, forbyder brugen af tungmetaller og brominerede flammehæmmende stoffer under fremstillingen af elektrisk og elektronisk udstyr. Særligt begrænsede materialer under RoHS-direktivet er bly (herunder blylodninger anvendt på printplader), cadmium, kviksølv, hexavalent krom og brom.

Aruba erklærer overensstemmelse med EU's WEEE-direktiv (2002/96/EF). Yderligere oplysninger om WEEE finder du på:

<http://www.dti.gov.uk/sustainability/weee/>

Trykluft

Arubas trådløse adgangspunkt overholder UL 2043 vedrørende produkter, der installeres i bygninger med stor luftgennemstrømning.

Deutsch

USA/Kanada/Weltweit

Unbefugte Verwendung

Dieses Gerät muss in exakter Übereinstimmung mit den Anweisungen des Herstellers installiert und verwendet werden. Diese Anweisungen finden Sie in der mit dem Produkt gelieferten Benutzerdokumentation oder über den bereitgestellten Link zur Website.

In manchen Situationen oder Umgebungen ist die Verwendung von drahtlosen Geräten eingeschränkt oder verboten. Einschränkungen gelten beispielsweise für die Verwendung von drahtlosen Geräten an Bord von Flugzeugen oder in anderen Umgebungen, in denen andere Geräte oder Dienste beeinträchtigt oder gestört werden könnten.

Falls Ihnen die Richtlinien oder Vorschriften für die Verwendung von drahtlosen Geräten in einer bestimmten Organisation oder Umgebung (z. B. Flughäfen) nicht vollständig bekannt sind, sollten Sie vor Inbetriebnahme des Geräts um Erlaubnis bitten.

Veränderungen

Durch Änderungen und Veränderungen an diesem Gerät, die nicht ausdrücklich vom Hersteller genehmigt sind, erlischt die Befugnis des Benutzers zum Betreiben des Geräts. Derartige Veränderungen, das Ersetzen oder Hinzufügen von Teilen verstößt möglicherweise gegen Vorschriften. Die Beeinträchtigung eines Radio- oder Fernsehgeräts durch derartiges unerlaubtes Handeln liegt in der alleinigen Verantwortung des Benutzers und kann einen Verstoß gegen das Gesetz darstellen. Der Hersteller und seine autorisierten Händler oder Zwischenhändler haften nicht für etwaige Schäden oder Verstöße gegen gesetzliche Vorschriften, die sich aufgrund der Nichteinhaltung dieser Anweisungen ergeben.

Allgemeine Informationen für den Benutzer

Wireless Access Point-Produkte basieren auf den Normen IEEE 802.11 für WLANs, die vom Institute of Electrical and Electronics Engineers (IEEE) definiert und genehmigt werden. In Produkten, die gemäß den Normen IEEE 802.11a und IEEE 802.11g hergestellt werden, wird die Funktechnologie OFDM (Orthogonal Frequency Division Multiplexing, Wellenlängenmultiplexverfahren) verwendet. In Produkten, die der Norm IEEE 802.11b entsprechen, wird die Funktechnologie DSSS (Direct Sequence Spread Spectrum, Frequenzspreizverfahren für drahtlose Datenübertragung) verwendet. Diese Produkte sind mit anderen drahtlosen Produkten kompatibel, die die entsprechenden Normen erfüllen.

Gesundheitsspezifische Aspekte von WLAN

WLAN-Produkte strahlen (wie auch andere drahtlose Geräte) hochfrequente elektromagnetische Energie ab. Die abgestrahlte Energie ist jedoch geringer als die abgestrahlte elektromagnetische Energie von anderen drahtlosen Geräten, wie z. B. Mobiltelefonen. Unsere WLAN-Produkte halten die Bestimmungen der Sicherheitsnormen und Empfehlungen für Hochfrequenz-Geräte ein. Deshalb halten wir die Verwendung unserer WLAN-Produkte durch Kunden für unbedenklich. Diese Normen und Empfehlungen spiegeln übereinstimmende Meinungen von Behörden und wissenschaftlichen Gremien wider. Die Normen werden in Foren und Komitees von Wissenschaftlern erstellt, die fortlaufend umfangreiche Fachliteratur bewerten und deuten.

Vorsicht: Kontakt mit Hochfrequenzstrahlung

Um alle Anforderungen der FCC, von Industry Canada, der EU und von Regulierungsbehörden in der restlichen Welt im Zusammenhang mit dem Kontakt zu Hochfrequenzstrahlung zu erfüllen, müssen folgende Konfigurationen beim Installieren der Antenne und beim Betreiben des Geräts eingehalten werden:

Bei Wireless Access Points mit zugelassener externer Antenne muss der Abstand zwischen der Antenne und dem Körper eines Menschen (einschließlich der Gliedmaßen) mindestens 38,5 cm bei der Antenne AP-ANT-7 und mindestens 20 cm bei folgenden Antennen betragen:

AP-ANT-1, AP-ANT-2, AP-ANT-3, AP-ANT-4, AP-ANT-5, AP-ANT-6, AP-ANT-8, AP-ANT-9, AP-ANT-10, AP-ANT-11, AP-ANT-12, AP-ANT-80, AP-ANT-81, AP-ANT-82, AP-ANT-83, AP-ANT-84, AP-ANT-85, AP-ANT-86, AP-ANT-87, AP-ANT-88, and AP-ANT-89.

Der Sender muss einem Mindestabstand von 20cm zu anderen Sendern oder Antennen habe.

Europa

Europäische Union



XXXX=0681 AP70, XXXX=1313 AP65, XXXX=0681 AP60/61, XXXX=0560 AP40/41, 80

Konformitätserklärung

Aruba Wireless Networks, Inc
1322 Crossman Avenue, Sunnyvale, CA 94089, USA,
Erklärt, dass der Aruba Wireless Access Point, Modell: APXX
den folgenden EU-Richtlinien entspricht:

R&TTE-Richtlinie (1995/5/EC)
WEEE-Richtlinie (2002/96/EC)
RoHS-Richtlinie (2002/95/EC)

R&TTE-Richtlinie – Relevante Normen:

Artikel 3.2; EN 300 328v1.5.1 und EN 301 893 v1.2.3
Artikel 3.1b; EN 301 489-17 v1.2.1
Artikel 3.1a; EN 60950

Jahr der Erstanmeldung: 2005

Der Unterzeichnende erklärt hiermit, dass das oben genannte Gerät die obigen
Richtlinien und Normen erfüllt.

Michael Smith
2006-07-01
Manager, Compliance Engineering
1322 Crossman Avenue, Sunnyvale, CA 94089, USA
Detaillierte Informationen finden Sie unter: www.arubanetworks.com

Hauptsitz in Europa
77 Oxford Street
London, W1D 2ES
Großbritannien
Telefon: +44 20 7659 2024
Fax: +44 20 7046 5871
Kontakt: Albert Benhamou
info-emea@arubanetworks.com

Einschränkungen durch die EU

In einigen europäischen Ländern ist das Betreiben dieses Geräts möglicherweise
nur eingeschränkt erlaubt und unterliegt unter Umständen bestimmten
Ausgangsleistungsbegrenzungen, Installationsbeschränkungen oder
Frequenzbandbeschränkungen.

Warnhinweis – Schutz vor Explosionen

Warnhinweis! Verwenden Sie den Access Point nie in der Nähe von explosiblen Geräten, nicht abgeschirmten Zündkapseln oder in einer anderweitig explosionsgefährdeten Umgebung, es sei denn das Gerät wurde von qualifiziertem Personal für eine derartige Verwendung zugelassen.

Warnhinweis! Trennen Sie in einer explosiblen Umgebung das Netzkabel und andere Kabel erst dann vom Gerät ab, wenn qualifiziertes Personal, das speziell für derartige Umgebungen ausgebildet ist, dies als sicher einstuft.

Warnhinweis! Berühren oder bewegen Sie den Access Point nicht, wenn die Antennen Daten senden oder empfangen.

Warnhinweis – Blitz

Warnhinweis! Schließen Sie bei Gewittern mit Blitzen keine Kabel an, trennen Sie diese nicht, und arbeiten Sie auch nicht anderweitig mit der Access Point-Hardware.

Vermeiden Sie die Verwendung dieses Produkts während eines Gewitters. Ein gewisses Risiko eines Stromschlages durch einen Blitz ist vorhanden.

Wichtige Sicherheitsanweisungen

Bei der Verwendung dieses Geräts müssen grundlegende Sicherheitsvorkehrungen stets eingehalten werden, um das Risiko von Bränden, Stromschlägen und Personenschäden zu verringern. Diese Sicherheitsvorkehrungen beinhalten Folgendes: Verwenden Sie dieses Produkt nicht in der Nähe von Wasser, beispielsweise in der Nähe einer Badewanne, eines Waschbeckens, einer Spüle oder eines Waschkessels, in einem feuchten Keller oder in der Nähe eines Schwimmbeckens.

Installation

Warnhinweis – Qualifiziertes Servicepersonal

Warnhinweis! Die Installation darf nur von qualifiziertem Servicepersonal ausgeführt werden. Lesen und befolgen Sie sämtliche Warnmeldungen und Anweisungen auf dem Produkt oder in der Dokumentation. Vor dem Installieren des Produkts müssen Sie den Rest dieses Dokuments lesen und die spezifischen Anweisungen zu diesem Produkt befolgen.

Der Stellplatz des Geräts muss außerdem folgende Anforderungen erfüllen:

Wenn Sie nicht mit POE arbeiten, schließen Sie den Wechselstromadapter (im Lieferumfang enthalten) des Geräts mit dem Standard-Netzkabel (im Lieferumfang enthalten) an eine herkömmliche Steckdose (100 bis 240 V) an.

Der Stellplatz muss so gewählt werden, dass das Netzkabel bzw. der Adapter für das Gerät leicht von der Steckdose abgetrennt werden kann.

Decken Sie das Gerät nicht ab, und blockieren Sie die Luftzufuhr zum Gerät nicht mit anderen Gegenständen.

Halten Sie das Gerät von übermäßiger Hitzeeinwirkung, Feuchtigkeit und Staub fern, und schützen Sie es vor Vibrationen.

Bei der Installation müssen die örtlichen Vorschriften jederzeit eingehalten werden.

Wird das Gerät an ein Antennensystem im Freien angeschlossen, finden Sie Informationen über zusätzliche Bestimmungen, Sicherheitsanweisungen und Installationsanforderungen in der mit dem Außenantennensystem gelieferten Dokumentation.

Verbindungen zum Wireless Access Point können entweder mit UTP- (Unshielded Twisted Pair) oder STP-Leitungen (Shielded Twisted Pair) hergestellt werden. Bei Verwendung des Geräts in Verbindung mit POE dürfen nur STP-Leitungen benutzt werden.

Verwenden Sie beim Installieren von Leitungsbündeln nur dafür geeignete Leitungen.

Warnhinweis – Elektrostatische Entladung

Warnhinweis! Verwenden Sie ein antistatisches Armband oder ergreifen Sie andere geeignete Maßnahmen, um bei der Handhabung des Geräts elektrostatische Entladung zu vermeiden.

Maschinenlärminformations-Verordnung

GPSGV, der höchste Schalldruckpegel beträgt 70 dB(A) oder weniger gemäss EN ISO 7779

Warnhinweis – Stromschlaggefahr

Warnhinweis! Bei der Installation oder Konstruktion eines Funkmasts oder -turms müssen Sie darauf achten, dass sich in der Nähe keine Oberleitungen befinden.

Warnhinweis! Das POE-Power-Injektor-Modul ist nur für die Verwendung in Gebäuden geeignet.



ROHS/WEEE

Dieses Produkt muss am Ende seiner Standzeit in den Mitgliedsstaaten der EU, Norwegen und der Schweiz separat gesammelt und verwertet werden und wird daher durch das oben abgebildete Symbol gekennzeichnet. Bei der Verwertung dieser Produkte am Ende der Standzeit müssen in diesen Ländern die geltenden nationalen Gesetze unter Einbeziehung der Richtlinie 2002/96EC für die Verwertung von Elektro- und Elektronikaltgeräten (WEEE) eingehalten werden.

Die WEEE-Richtlinie 2002/96/EC und die RoHS-Richtlinie 2002/95/EC (Restriction of Hazardous Substances, Beschränkung gefährlicher Substanzen) legen Sammel-, Recycling- und Rückgewinnungsziele für verschiedene Kategorien elektrischer Produkte und deren Müll fest.

Die Richtlinie zur Beschränkung gefährlicher Substanzen (2002/95/EC) verbietet unterstützend zur WEEE-Richtlinie die Verwendung von Schwermetallen und bromierten Flammschutzmitteln bei der Herstellung elektrischer und elektronischer Geräte. Insbesondere Blei (einschließlich Lötzinneinlagen in elektronischen Leiterplatten), Cadmium, Quecksilber, sechswertiges Chrom und Brom gehören laut der RoHS-Richtlinie zu den einzuschränkenden Werkstoffen.

Aruba erklärt die Konformität mit der WEEE-Richtlinie (2002/96/EC) der Europäischen Union (EU). Weitere Informationen zu WEEE finden Sie unter:

<http://www.dti.gov.uk/sustainability/weee/>

Hohlräume

Der Wireless Access Point von Aruba erfüllt UL 2043 für Produkte, die in der Umgebung des Lüftungssystems eines Gebäudes installiert sind.

Eesti

US, Kanada, maailm

Volitamata kasutamine

Seade tuleb paigaldada ja seda tuleb kasutada rangelt vastavuses tootja juhistega, nagu on kirjeldatud tootega kaasas olevas kasutusjuhendis või veebilehel.

Mõnedes olukordades või keskkondades võib raadiosideseadmete kasutamine olla piiratud või keelatud. Selliste olukordade hulka võivad kuuluda näiteks raadiosideseadmete kasutamine lennukites või muudes keskkondades, kus peetakse ohtlikuks teiste seadmete või teenuste häirimist.

Kui te ei tea, millised nõuded on kindlas organisatsioonis või keskkonnas (näiteks lennujaamas) raadiosideseadme kasutamisele määratud, soovitame teil enne raadiosideseadme kasutamist selleks nõusolekut küsida.

Modifikatsioonid

Seadme muutmine ja modifitseerimine ilma tootja nõusolekuta võib muuta kasutaja seadme kasutusõiguse kehtetuks. Sellised modifikatsioonid, asendused või manused võivad olla regulatsioonidega vastuolus ning sellistest volitamata toimingutest tingitud häiringud on kasutaja vastutusel ja võivad olla vastuolus seadustega. Tootja ja volitatud edasimüüjad või turustajad ei vastuta juhendite eiramisest tingitud kahjude või seaduserikkumiste eest.

Üldteave kasutajale

Raadioside pöörduspunkti tooted põhinevad raadioside kohtvõrgu standardil IEEE 802.11, nagu määratud ja kinnitatud Elektri- ja Elektroonikainseneride Instituudi poolt. Tooted on projekteeritud vastavuses raadiosidetehnoloogia ortogonaalse sagedustihenduse (OFDM) standarditele IEEE 802.11a ja IEEE 802.11g. Tooted, mis on projekteeritud vastavuses standardiga IEEE 802.11b, kasutavad otsejadaga hajaspektri (DSSS) raadiosidetehnoloogiat. Tooted on projekteeritud ühilduma teiste vastavatele standarditele vastavate raadiosidetoodetega.

Raadioside kohtvõrk ja teie tervis

Raadioside kohtvõrgu tooted kiirgavad sarnaselt teiste raadioseadmetega raadiosageduslikku elektromagnetilist energiat. Kiiratava energia tase on siiski väiksem kui teistest raadiosideseadmetest, nagu näiteks mobiiltelefonidest, kiirguv elektromagnetiline energia. Kuna raadioside kohtvõrgu tooted töötavad raadiosageduse ohutusstandardite regulatsioonide piires, usume, et meie raadioside kohtvõrgu tooted on tarbijatele ohutud. Need standardid peegeldavad valitsuse ja teadlaste konsensust ja on pidevalt uurimuskirjandust uurivate ja tõlgendavate teadlaste arutelude ja komiteede tulemus.

Tähelepanu! Raadiosageduskiirguse mõju

Et vastata FCC, Industry Canada, EÜ ja teiste regulatiivorganite raadiosageduslike mõjude nõuetele, peavad olema täidetud järgmised antennipaigalduse ja seadme töö konfiguratsiooni nõuded.

Raadioside pöörduspunkti puhul ja heakskiidetud välisantenni kasutamise korral peab vahe antenni ja kasutaja keha (kaasa arvatud käed, randmed, jalad ja pahkluu) vahe olema vähemalt 38 sentimeetrit antenni AP-ANT-7 puhul ja 20 sentimeetrit järgmiste antennide puhul.

AP-ANT-1, AP-ANT-2, AP-ANT-3, AP-ANT-4, AP-ANT-5, AP-ANT-6, AP-ANT-8, AP-ANT-9, AP-ANT-10, AP-ANT-11, AP-ANT-12, AP-ANT-80, AP-ANT-81, AP-ANT-82, AP-ANT-83, AP-ANT-84, AP-ANT-85, AP-ANT-86, AP-ANT-87, AP-ANT-88 ja AP-ANT-89.

Saatja ei tohi paikneda teiste saatjate või antennidega samas asukohas.

Euroopa

Euroopa Ühendused



XXXX=0681 AP70, XXXX=1313 AP65, XXXX=0681 AP60/61, XXXX=0560 AP40/41, 80

Vastavuskinnitus

*Aruba Wireless Networks, Inc
1322 Crossman Avenue, Sunnyvale, CA 94089, USA,
kinnitab, et Aruba raadioside pöörduspunkt, mudel: APXX
vastab järgmistele Euroopa direktiividele:*

*R&TTE-direktiiv, 1995/5/EÜ;
WEEE-direktiiv 2002/96/EÜ;
RoHS-direktiiv 2002/95/EÜ*

R&TTE asjakohased standardid:

*artikli 3 lõige 2; EN 300 328v1.5.1 ja EN 301 893 v1.2.3;
artikli 3 lõike 1 punkt b; EN 301 489-17 v1.2.1;*

artikli 3 lõike 1 punkt a; EN 60950

Esimesena lisatud aastamärk: 2005

Mina, allakirjutanu, kinnitan käesolevaga, et ülalpool täpsustatud seade vastab ülalpool toodud direktiividele ja standarditele.

Michael Smith

2006-07-01

1322 Crossman Avenue, Sunnyvale, CA 94089, USA,
Täpsema teabe saamiseks külastage veebilehte aadressil
www.arubanetworks.com

Euroopa peakontorid

77 Oxford Street

London, W1D 2ES

Ühendkuningriik

Telefon: +44 20 7659 2024

Faks: +44 20 7043 5871

Kontakt: Albert Benhamou

info-emea@arubanetworks.com

Piirangud Euroopa Ühenduses

Mõned Euroopa riigid võivad piirata käesoleva seadme kasutamist ja nendes riikides võivad kehtida kindlad väljundvõimsuse, paigalduse või sagedusriba piirangud.

Plahvatusohtu hoiatus

Hoiatus! Ärge kasutage pöörduspunkti plahvatusohtlike seadmete või kaitseta detonaatorite juures või muul moel plahvatusohtlikes keskkondades, välja arvatud juhul, kui seade on selliseks kasutamiseks kvalifitseeritud personali poolt heaks kiidetud.

Hoiatus! Ärge lahutage plahvatusohtlikus keskkonnas toite- või teisi kaableid, kuni plahvatusespart on määranud sellise toimingu ohutuse.

Hoiatus! Kui pöörduspunkt edastab andmeid või võtab neid vastu, ärge pöörduspunkti puutuge.

Pikselöögi hoiatus

Hoiatus! Suurenenud pikseohu ajal ärge ühendage ega lahutage kaableid ega kasutage muul moel pöörduspunkti riistvara.

Vältige toote kasutamist äikese ajal. Välgulöögist saadud elektrilöögi oht.

Olulised ohutusjuhised

Seadme kasutamisel tuleb tuleohu, elektrilöögi ja vigastuste vältimiseks järgida tavalisi ohutusnõudeid. Lisaks juhenduge toote kasutamisel järgmisest. Ärge kasutage toodet vee läheduses, näiteks vanni, pesukausi, kraanikausi, märja keldri või basseini läheduses.

Paigaldamine

Hoiatus kvalifitseeritud hoolduspersonalile

Hoiatus! Paigaldustöid tohivad sooritada ainult kvalifitseeritud isikud. Lugege ja järgige kõiki tootel ja juhendis olevaid hoiatussilte ja juhiseid. Enne toote paigaldamist lugege läbi ülejäänud käesolevast dokumendist ja järgige kindlaid juhiseid.

Paigaldamisel peab seadme asetus vastama järgmistele paigaldusnõuetele.

Kui te ei kasuta POE-d, ühendage üksuse vahelduvvoolu adapter vahelduvvoolu pistikupessa (100–240 V AC). Kasutage selleks tavalist tootega kaasas olevat toitejuhet.

Seade tuleb paigaldada nii, et toitejuhtmeid ja adapterit on lihtne pistikupessa ühendada.

Ärge katke seadet kinni ega blokeerige õhuvoolu.

Hoidke seade eemal kuumusest, niiskusest, vibratsioonist ja tolmust.

Paigaldamine peab vastama kohalikele nõuetele.

Kui seade ühendatakse välisantenni süsteemiga, järgige välisantenni komplekti kuuluva dokumentatsiooni ohutusjuhiseid ja paigaldusnõudeid.

Raadioside pöörduspunkti võib ühendada varjeta bifilaarkaabli (UTP) või varjega bifilaarkaabliga (STP). Kui kasutate seadet üle Etherneti antava toitevooluga (PoE), kasutage ainult varjega bifilaarkaablit (STP).

Kui kaablid paigaldatakse õhukonditsioneerisüsteemi, kasutage kaableid, mis on selliseks otstarbeks heaks kiidetud.

Elektrostaatilise lahenduse hoiatus

Hoiatus! Elektrostaatilise lahenduse vältimiseks seadme käsitlemisel kandke antistaatilist randmepaela või võtke kasutusele muud sobilikud meetmed.

Toitevõimsuse hoiatus

Hoiatus! Ärge paigaldage ega ehitage raadiomaste, -poste või –torne elektriliinide lähedusse.

Hoiatus! POE-toitemoodul on mõeldud ainult siseruumides kasutamiseks.



ROHS/WEEE

Toode allub Euroopa Ühenduse liikmesriikides, Norras ja Šveitsis eraldi käitlusnõuetele ja on seega varustatud ülalpool toodud sümboliga. Nendes riikides peab toote käitlemine vastama elektriliste ja elektrooniliste seadmete jäätmekäitluse (WEEE) direktiivile 2002/96/EÜ.

WEEE-direktiiv 2002/96/EÜ ja RoHS (ohtlike ainete piirangute) direktiiv 2002/95/EÜ määravad elektriseadmete ja nende jäätmete kogumise ja taaskasutuse kategooriad.

RoHS (2002/95/EÜ) koos WEEE-direktiiviga keelab elektriliste ja elektrooniliste seadmete tootmisel raskemetallide ja broomitud leegiaeglustite kasutamise. Vastavalt RoHS-direktiivile on keelatud ained tina (kaasa arvatud PCB-s kasutatav joodis), kaadmium, elavhõbe, heksavalentne kroom ja broom.

Aruba kinnitab vastavust Euroopa Liidu WEEE-direktiivile (2002/96/EÜ). Lisateavet WEEE kohta leiate aadressilt

<http://www.dti.gov.uk/sustainability/weee/>

Õhukonditsioneeride süsteemid

Aruba raadioside pöördepunkt vastab hoone õhustussüsteemidesse paigaldatavate toodete nõudele UL 2043.

Ελληνικά

ΗΠΑ, Καναδάς, Παγκοσμίως

Μη εξουσιοδοτημένη χρήση

Η παρούσα συσκευή πρέπει να εγκατασταθεί και να χρησιμοποιηθεί με αυστηρή εφαρμογή των οδηγιών του κατασκευαστή όπως αυτές αναφέρονται στα εγχειρίδια που συνοδεύουν το προϊόν ή στον παρεχόμενο σύνδεσμο μετάβασης στον σχετικό δικτυακό τόπο.

Σε ορισμένες περιπτώσεις ή περιβάλλοντα, η χρήση ασύρματων συσκευών ενδέχεται να περιορίζεται ή να απαγορεύεται. Οι καταστάσεις αυτές μπορεί, για παράδειγμα, να περιλαμβάνουν τη χρήση ασύρματου εξοπλισμού σε αεροπλάνα ή σε οποιοδήποτε άλλο περιβάλλον στο οποίο ο κίνδυνος δημιουργίας παρεμβολών σε άλλες συσκευές ή υπηρεσίες θεωρείται ή χαρακτηρίζεται επιβλαβής.

Αν δεν είστε βέβαιοι για την πολιτική ή τους κανονισμούς που ισχύουν αναφορικά με τη χρήση ασύρματου εξοπλισμού σε συγκεκριμένο οργανισμό ή περιβάλλον (π.χ. αεροδρόμια), συνιστάται να ζητήσετε εξουσιοδότηση χρήσης της συσκευής πριν θέσετε σε λειτουργία τον εξοπλισμό.

Τροποποιήσεις

Τυχόν αλλαγές ή τροποποιήσεις στην παρούσα συσκευή οι οποίες δεν έχουν τη ρητή έγκριση του κατασκευαστή ενδέχεται να ακυρώσουν την εξουσιοδότηση χρήσης του εξοπλισμού από τον χρήστη. Η ευθύνη για τροποποιήσεις, αντικαταστάσεις ή προσαρτήσεις αυτού του είδους που ενδέχεται να αντίκεινται στους κανονισμούς και οι παρεμβολές σε ραδιόφωνα ή τηλεοράσεις που προκαλούνται από μη εξουσιοδοτημένες ενέργειες αυτού του είδους ανήκει αποκλειστικά στον χρήστη και μπορεί να υπάρξει και παράβαση της νομοθεσίας. Ο κατασκευαστής και οι εξουσιοδοτημένοι μεταπωλητές ή διανομείς δεν ευθύνονται για ζημιές ή παραβάσεις των κρατικών κανονισμών λόγω μη τήρησης αυτών των οδηγιών.

Γενικές πληροφορίες για τον χρήστη

Τα προϊόντα Wireless Access Point (Σημείο ασύρματης πρόσβασης) βασίζονται στα πρότυπα IEEE 802.11 για ασύρματα δίκτυα LAN όπως έχουν οριστεί και εγκριθεί από το Ινστιτούτο Ηλεκτρολόγων και Ηλεκτρονικών Μηχανικών (IEEE). Τα προϊόντα που έχουν σχεδιαστεί σύμφωνα με τα πρότυπα IEEE 802.11a και IEEE 802.11g χρησιμοποιούν την ασύρματη τεχνολογία OFDM (Orthogonal Frequency Division Multiplexing, Πολυπλεξία με Ορθογώνια Διαίρεση Συχνότητας). Τα προϊόντα που έχουν σχεδιαστεί σύμφωνα με το πρότυπο IEEE 802.11b χρησιμοποιούν την ασύρματη τεχνολογία DSSS (Direct Sequence Spread Spectrum, Διασκορπισμένο Φάσμα Ευθείας Ακολουθίας). Τα προϊόντα

αυτά είναι σχεδιασμένα να συνεργάζονται με άλλα ασύρματα προϊόντα που συμμορφώνονται με τα αντίστοιχα πρότυπα.

Τα ασύρματα δίκτυα LAN και η υγεία σας

Τα προϊόντα για ασύρματα δίκτυα LAN, όπως και οι άλλες ασύρματες συσκευές, εκπέμπουν ηλεκτρομαγνητική ενέργεια σε ραδιοσυχνότητες. Τα επίπεδα εκπεμπόμενης ενέργειας, όμως, είναι χαμηλότερα από αυτά που εκπέμπουν άλλες ασύρματες συσκευές όπως, για παράδειγμα, τα κινητά τηλέφωνα. Δεδομένου ότι τα προϊόντα για ασύρματα δίκτυα LAN λειτουργούν σύμφωνα με τις οδηγίες των συστάσεων και των προτύπων ασφαλείας για τις ραδιοσυχνότητες, θεωρούμε ότι τα προϊόντα μας για ασύρματα δίκτυα LAN μπορούν να χρησιμοποιούνται με ασφάλεια από τους καταναλωτές. Αυτά τα πρότυπα και οι συστάσεις αντιπροσωπεύουν την ομοφωνία του κράτους και της επιστημονικής κοινότητας και προκύπτουν από συσκέψεις επιστημονικών ομάδων και επιτροπών οι οποίες εξετάζουν και ερμηνεύουν σε διαρκή βάση την εκτεταμένη ερευνητική βιβλιογραφία.

Προσοχή: Έκθεση σε ακτινοβολία ραδιοσυχνότητων

Για να υπάρχει συμμόρφωση με τις προδιαγραφές έκθεσης σε ραδιοσυχνότητες των FCC, Industry Canada, ΕΕ και άλλων παγκόσμιων κανονιστικών φορέων, θα πρέπει να ικανοποιούνται οι ακόλουθες προδιαγραφές εγκατάστασης κεραίας και λειτουργίας συσκευών:

Για τα Σημεία Ασύρματης Πρόσβασης, με χρήση εγκεκριμένης εξωτερικής κεραίας, η απόσταση διαχωρισμού μεταξύ κεραίας και σώματος οποιουδήποτε ατόμου (συμπεριλαμβανομένων των χεριών, καρπών, ποδιών και αστραγάλων) πρέπει να είναι τουλάχιστον 38,5 cm για την κεραία AP-ANT-7 και 20 cm για τις εξής κεραίες:

AP-ANT-1, AP-ANT-2, AP-ANT-3, AP-ANT-4, AP-ANT-5, AP-ANT-6, AP-ANT-8, AP-ANT-9, AP-ANT-10, AP-ANT-11, AP-ANT-12, AP-ANT-80, AP-ANT-81, AP-ANT-82, AP-ANT-83, AP-ANT-84, AP-ANT-85, AP-ANT-86, AP-ANT-87, AP-ANT-88 και AP-ANT-89.

Ο πομπός δεν πρέπει να είναι δίπλα σε άλλους πομπούς ή κεραίες.

Ευρώπη

Ευρωπαϊκές Κοινότητες





XXXX=0681 AP70, XXXX=1313 AP65, XXXX=0681 AP60/61, XXXX=0560 AP40/41, 80

Δήλωση Συμμόρφωσης

H Aruba Wireless Networks, Inc

1322 Crossman Avenue, Sunnyvale, CA 94089, USA,

*Δηλώνει ότι το σημείο ασύρματης πρόσβασης Aruba Wireless Access Point,
Μοντέλο: APXX*

συμμορφώνεται με τις ακόλουθες Ευρωπαϊκές οδηγίες:

Οδηγία R&TTE 1995/5/EC

Οδηγία WEEE 2002/96/EC

Οδηγία RoHS 2002/95/EC

Πρότυπα σχετικά με την οδηγία R&TTE:

Άρθρο 3.2, EN 300 328v1.5.1 και EN 301 893 v1.2.3

Άρθρο 3.1β, EN 301 489-17 v1.2.1

Άρθρο 3.1α, EN 60950

Έτος πρώτης χρήσης σήματος: 2005

Ο κάτωθι υπογεγραμμένος δηλώνει με το παρόν ότι ο ανωτέρω αναφερόμενος εξοπλισμός συμμορφώνεται με τις ανωτέρω Οδηγίες και τα Πρότυπα.

Michael Smith

2006-07-01

1322 Crossman Avenue, Sunnyvale, CA 94089, USA,

Για λεπτομερείς πληροφορίες, επισκεφθείτε τη διεύθυνση:

www.arubanetworks.com

Ευρωπαϊκά Κεντρικά Γραφεία

77 Oxford Street

London, W1D 2ES

United Kingdom

Τηλέφωνο: +44 20 7659 2024
Φαξ: +44 20 7043 5871
Επικοινωνία: *Albert Benhamou*
info-emea@arubanetworks.com

Περιορισμοί ΕΕ

Ορισμένες Ευρωπαϊκές χώρες μπορεί να θέτουν περιορισμούς στη λειτουργία της συσκευής και ενδέχεται να επιβάλλουν περιορισμούς για την ισχύ εξόδου, την εγκατάσταση ή τη ζώνη συχνότητων.

Προειδοποίηση για την ασφάλεια από έκρηξη

Προσοχή! Μη χρησιμοποιείτε το σημείο πρόσβασης κοντά σε εκρηκτικές συσκευές, μη θωρακισμένους πυροκροτητές ή σε ένα εκρηκτικό περιβάλλον εκτός αν η συσκευή έχει εγκριθεί για χρήση αυτού του είδους από κατάλληλα καταρτισμένο προσωπικό.

Προσοχή! Μην αποσυνδέετε την τροφοδοσία ρεύματος ή άλλα καλώδια σε εκρηκτικό περιβάλλον μέχρι να σας δοθεί η σχετική έγκριση από το κατάλληλο προσωπικό, ειδικά εκπαιδευμένο για χειρισμούς σε εκρηκτικό περιβάλλον.

Προσοχή! Μην ακουμπάτε και μη μετακινείτε το σημείο πρόσβασης κατά την εκπομπή ή λήψη των κεραιών.

Προειδοποίηση για κεραυνούς

Προσοχή! Μη συνδέετε ή αποσυνδέετε καλώδια και γενικά μην εργάζεστε με τον εξοπλισμό του σημείου πρόσβασης σε περιόδους κεραυνικής δραστηριότητας.

Αποφεύγετε τη χρήση του προϊόντος κατά τη διάρκεια ηλεκτρικής καταιγίδας. Υπάρχει μικρός κίνδυνος ηλεκτροπληξίας από κεραυνό.

Σημαντικές οδηγίες ασφαλείας

Κατά τη χρήση αυτής της συσκευής, οι βασικές προφυλάξεις ασφαλείας θα πρέπει να τηρούνται πάντοτε για να μειώνονται οι κίνδυνοι πυρκαγιάς, ηλεκτροπληξίας και τραυματισμού ατόμων, συμπεριλαμβανομένων των εξής: Μη χρησιμοποιείτε το παρόν προϊόν κοντά σε νερό, για παράδειγμα, κοντά σε μπανιέρα, νιπτήρα, νεροχύτη ή πλυντήριο, σε υπόγειο με υγρασία ή κοντά σε πισίνα.

Εγκατάσταση

Προειδοποίηση για εξειδικευμένο προσωπικό σέρβις

Προσοχή! Η εγκατάσταση πρέπει να πραγματοποιηθεί από εξειδικευμένο προσωπικό σέρβις μόνο. Διαβάστε και εφαρμόστε όλες τις προειδοποιητικές παρατηρήσεις και οδηγίες που αναγράφονται στο προϊόν ή περιλαμβάνονται στα

εγχειρίδια. Πριν εγκαταστήσετε το προϊόν, διαβάστε το υπόλοιπο κείμενο του παρόντος εγγράφου και ακολουθήστε τις οδηγίες για το συγκεκριμένο προϊόν.

Κατά την εγκατάσταση, η τοποθέτηση της συσκευής πρέπει επίσης να ικανοποιεί τις ακόλουθες προδιαγραφές εγκατάστασης:

Αν δεν χρησιμοποιείτε POE (Power over Ethernet, Τροφοδοσία μέσω Ethernet), συνδέστε τον μετασχηματιστή EP της συσκευής σε μια πρίζα EP στον τοίχο (100-240 V EP) χρησιμοποιώντας μόνο το καλώδιο ρεύματος/μετασχηματιστή που συνοδεύουν τον προϊόν.

Η τοποθέτηση πρέπει να επιτρέπει την εύκολη αποσύνδεση του καλωδίου/μετασχηματιστή της συσκευής από την πρίζα EP στον τοίχο.

Μην καλύπτετε τη συσκευή και μη φράζετε τη ροή του αέρα στη συσκευή με αντικείμενα.

Κρατήστε τη συσκευή μακριά από υπερβολική θερμότητα και υγρασία, καθώς και από κραδασμούς και σκόνη.

Η εγκατάσταση πρέπει πάντοτε να συμμορφώνεται με τους τοπικούς κανονισμούς.

Όταν η συσκευή θα συνδεθεί με σύστημα εξωτερικής κεραίας, συμβουλευτείτε τα εγχειρίδια που συνόδευαν το σετ εξωτερικής κεραίας για πρόσθετες κανονιστικές πληροφορίες, οδηγίες ασφαλείας και προδιαγραφές εγκατάστασης.

Οι συνδέσεις με το Σημείο Ασύρματης Πρόσβασης μπορούν να γίνουν με συνεστραμμένο καλώδιο χωρίς θωράκιση (UTP) ή με συνεστραμμένο καλώδιο με θωράκιση (STP). Όταν χρησιμοποιείτε τη συσκευή με τροφοδοσία μέσω Ethernet (Power over Ethernet), να χρησιμοποιείτε μόνο συνεστραμμένο καλώδιο με θωράκιση (STP).

Όταν η καλωδίωση εγκαθίσταται σε κιβώτια ανάμειξης αέρα, να χρησιμοποιείτε μόνο κατάλληλα καλώδια.

Προειδοποίηση για ηλεκτροστατική εκφόρτιση

Προσοχή! Να φοράτε αντιστατική ταινία στον καρπό σας ή να παίρνετε άλλα κατάλληλα μέτρα προφύλαξης από ηλεκτροστατική εκφόρτιση όταν χειρίζεστε τον εξοπλισμό.

Προειδοποίηση για κίνδυνο από το ηλεκτρικό ρεύμα

Προσοχή! Ποτέ μην εγκαθιστάτε ή κατασκευάζετε κεραία, ιστό ή πύργο τηλεπικοινωνιών κοντά σε εναέριες γραμμές ηλεκτρικού ρεύματος.

Προσοχή! Η μονάδα παροχής ισχύος POE είναι σχεδιασμένη για χρήση σε εσωτερικούς χώρους μόνο.



ROHS/WEEE

Το προϊόν αυτό στο τέλος της ωφέλιμης ζωής του θα πρέπει να συλλεχθεί και να υποβληθεί σε χωριστή επεξεργασία στις χώρες μέλη της ΕΕ, Νορβηγία και Ελβετία, γι' αυτό είναι επισημασμένο με το παραπάνω σύμβολο. Η επεξεργασία στην οποία υποβάλλονται αυτά τα προϊόντα στο τέλος της ωφέλιμης ζωής τους στις χώρες αυτές πρέπει να είναι σύμφωνη με την ισχύουσα εθνική νομοθεσία η οποία θα υιοθετεί την κατευθυντήρια οδηγία 2002/96/EC σχετικά με την απόρριψη ηλεκτρικών και ηλεκτρονικών συσκευών (WEEE).

Η οδηγία WEEE 2002/96/EC και η οδηγία RoHS (Περιορισμός επικίνδυνων ουσιών) 2002/95/EC προσδιορίζουν τους στόχους συλλογής, ανακύκλωσης και ανάκτησης για διάφορες κατηγορίες ηλεκτρικών προϊόντων και των αποβλήτων τους.

Η οδηγία περιορισμού επικίνδυνων ουσιών (RoHS) (2002/95/EC), η οποία συνοδεύει την οδηγία WEEE, απαγορεύει τη χρήση βαρέων μετάλλων και βρωμιούχων φλογεπιβραδυντικών στην κατασκευή ηλεκτρικών και ηλεκτρονικών συσκευών. Συγκεκριμένα, τα υλικά που απαγορεύονται σύμφωνα με την οδηγία RoHS είναι τα εξής: μόλυβδος (συμπεριλαμβανομένου του υλικού συγκόλλησης που χρησιμοποιείται στα τυπωμένα κυκλώματα), κάδμιο, υδράργυρος, εξασθενές χρώμιο και βρώμιο.

Η Aruba δηλώνει συμμόρφωση με την οδηγία WEEE (2002/96/EC) της Ευρωπαϊκής Ένωσης (ΕΕ). Για περισσότερες πληροφορίες σχετικά με την οδηγία WEEE, μπορείτε να επισκεφθείτε τη διεύθυνση:

<http://www.dti.gov.uk/sustainability/weee/>

Κιβώτιο ανάμειξης αέρα

Το σημείο ασύρματης πρόσβασης Aruba είναι πιστοποιημένο κατά UL 2043 για προϊόντα που εγκαθίστανται στους χώρους επεξεργασίας του αέρα περιβάλλοντος ενός κτιρίου.

Español

Estados Unidos, Canadá y resto del mundo

Uso indebido

Este dispositivo se debe instalar y utilizar siguiendo estrictamente las instrucciones del fabricante, tal y como se describe en la documentación del usuario suministrada con el producto o en el enlace a la página web proporcionado.

En algunos entornos o situaciones, el uso de dispositivos inalámbricos puede estar restringido o prohibido. Una de estas situaciones puede ser, por ejemplo, el uso de un equipo inalámbrico a bordo de un avión o en cualquier otro entorno en el que el riesgo de interferencias con otros dispositivos o servicios se perciba o identifique como perjudicial.

Si desconoce las directrices o las normativas de una determinada organización o entorno con respecto al uso de dispositivos inalámbricos (por ejemplo, en aeropuertos), recomendamos que pida autorización antes de utilizar el dispositivo.

Modificaciones

Cualquier cambio o modificación realizado sin la aprobación expresa del fabricante puede anular el derecho del usuario a utilizar el equipo. Tales modificaciones, sustituciones o acoplamientos pueden ir en contra de las normativas. Cualquier interferencia inducida en un aparato de radio o de televisión causada por dicha manipulación no autorizada será responsabilidad exclusiva del usuario, pudiendo constituir una violación de la ley. Ni el fabricante ni sus distribuidores y minoristas autorizados serán responsables de ningún daño o violación de las normativas estatales que puedan derivarse del incumplimiento de estas indicaciones.

Información general para el usuario

Los productos de punto de acceso inalámbrico se basan en la norma IEEE 802.11 para tecnologías de red de área local inalámbrica, según lo definido y aprobado por el Instituto de Ingeniería Eléctrica y Electrónica. Los productos diseñados según las normas IEEE 802.11a e IEEE 802.11g emplean la tecnología de radio de multiplexado ortogonal por división de frecuencias (OFDM). Los productos diseñados según la norma IEEE 802.11b utilizan la tecnología de radio de espectro disperso de secuencia directa (DSSS). Estos productos están diseñados para poder interactuar con otros productos inalámbricos que cumplan las normas correspondientes.

Las redes LAN inalámbricas y la salud

Los productos de LAN inalámbrica, como cualquier otro dispositivo de radio, emiten energía electromagnética en la banda de radiofrecuencias. No obstante, el nivel de energía emitida es menor que la energía electromagnética emitida por otros dispositivos inalámbricos, como los teléfonos móviles. Pensamos que el uso de nuestros productos de LAN inalámbrica es seguro para los usuarios, puesto que este tipo de productos cumplen las directrices establecidas en las normas y recomendaciones de seguridad para radiofrecuencias. Estas normas y recomendaciones reflejan el consenso alcanzado entre gobiernos y comunidades científicas y son el resultado de deliberaciones de paneles y comités de científicos que constantemente revisan e interpretan la amplia literatura de investigación existente.

Precaución: Exposición a la radiación de radiofrecuencias

Para cumplir los requisitos de exposición a radiofrecuencias de la FCC, Industry Canada, la UE y otras agencias reguladoras del todo el mundo, deben satisfacerse las siguientes condiciones de instalación de la antena y de manejo del dispositivo:

En el caso de puntos de acceso inalámbrico que utilicen una antena externa autorizada, la distancia entre la antena y el cuerpo de cualquier persona (incluidos pies, manos, muñecas y tobillos) debe ser como mínimo de 38,5 cm para la antena AP-ANT-7 y de 20 cm para las siguientes antenas:

AP-ANT-1, AP-ANT-2, AP-ANT-3, AP-ANT-4, AP-ANT-5, AP-ANT-6, AP-ANT-8, AP-ANT-9, AP-ANT-10, AP-ANT-11, AP-ANT-12, AP-ANT-80, AP-ANT-81, AP-ANT-82, AP-ANT-83, AP-ANT-84, AP-ANT-85, AP-ANT-86, AP-ANT-87, AP-ANT-88 y AP-ANT-89.

El transmisor no debe colocarse junto a otros transmisores o antenas.

Europa

Comunidades Europeas



XXXX=0681 AP70, XXXX=1313 AP65, XXXX=0681 AP60/61, XXXX=0560 AP40/41, 80

Declaración de conformidad

Aruba Wireless Networks, Inc

1322 Crossman Avenue, Sunnyvale, CA 94089, EE.UU.

Declara que el punto de acceso inalámbrico Aruba, modelo: APXX se ajusta a las siguientes directivas europeas:

Directiva R&TTE 1995/5/CE

Directiva WEEE 2002/96/CE

Directiva RoHS 2002/95/CE

Normas pertinentes de la directiva R&TTE:

Artículo 3.2; EN 300 328v1.5.1 y EN 301 893 v1.2.3

Artículo 3.1b; EN 301 489-17 v1.2.1

Artículo 3.1a; EN 60950

Año de primera aplicación de la marca: 2005

Yo, el abajo firmante, declaro que el equipo anteriormente especificado cumple las normas y directivas mencionadas.

Michael Smith

2006-07-01

1322 Crossman Ave., Sunnyvale, CA 94089, EE.UU.

Para obtener información detallada, visite: www.arubanetworks.com

Sede europea

77 Oxford Street

London, W1D 2ES

Reino Unido

Teléfono: +44 20 7659 2024

Fax: +44 20 7043 5871

Persona de contacto: Albert Benhamou

info-emea@arubanetworks.com

Restricciones de la CE

Puede que algunos países europeos restrinjan el uso de este dispositivo y que dicho uso esté sujeto a determinados límites de potencia de salida, restricciones de instalación o restricciones de banda de frecuencia.

Advertencia de seguridad contra explosiones

¡Advertencia! No utilice el punto de acceso cerca de aparatos explosivos, detonadores no blindados ni en cualquier otro entorno explosivo, a menos que personal cualificado haya aprobado dicho uso del dispositivo.

¡Advertencia! No desconecte la alimentación o cualquier otro cable en un entorno explosivo hasta que el personal cualificado y formado específicamente para entornos explosivos haya determinado que es segura la desconexión.

¡Advertencia! No toque ni mueva el punto de acceso cuando las antenas estén en proceso de transmisión o recepción.

Advertencia sobre rayos

¡Advertencia! No conecte ni desconecte cables ni realice ningún otro tipo de trabajo en el hardware del punto de acceso durante periodos de actividad de rayos.

Evite el uso de este producto durante una tormenta eléctrica. Puede existir un leve riesgo de descarga eléctrica debido a un rayo.

Instrucciones importantes relativas a la seguridad

Al utilizar este dispositivo siempre se deben tomar precauciones de seguridad básicas para reducir el riesgo de incendios, descargas eléctricas y lesiones: no utilice este producto en un sótano húmedo, cerca de una piscina o cerca del agua, por ejemplo, cerca de una bañera, lavabo, fregadero o pila.

Instalación

Advertencia sobre personal de mantenimiento cualificado

¡Advertencia! La instalación únicamente la debe llevar a cabo el personal de mantenimiento cualificado. Lea atentamente y siga todas las advertencias e instrucciones marcadas en el producto o incluidas en la documentación. Antes de instalar el producto, lea el resto de esta documentación y siga las instrucciones específicas del producto.

Al llevar a cabo la instalación, la colocación del dispositivo también debe satisfacer los siguientes requisitos de instalación:

Si no se va a utilizar con un POE, conecte el adaptador de CA de la unidad a una toma de red de CA (100 - 240 V CA) utilizando únicamente el cable/adaptador de alimentación estándar suministrado con el producto.

La colocación del dispositivo debe permitir que el cable/adaptador de alimentación se desconecte fácilmente de la toma de alimentación de CA.

No cubra el dispositivo, ni bloquee el flujo de aire hacia él con otro objeto.

Mantenga el dispositivo alejado del calor y humedad excesivos y protéjalo de las vibraciones y el polvo.

En todo momento, la instalación debe cumplir las normativas locales.

Si el dispositivo se va a conectar a un sistema de antena exterior, consulte la documentación incluida con el kit de la antena exterior por si hubiera información adicional sobre normativas, instrucciones de seguridad y requisitos de instalación.

Las conexiones a un punto de acceso inalámbrico se pueden llevar a cabo con un cable de par trenzado blindado (UTP) o con un cable de par trenzado sin blindar (STP). Si el dispositivo se va a alimentar a través de Ethernet (tecnología POE, "Power over Ethernet"), utilice únicamente cables de par trenzado blindados (STP).

Si va instalar el cableado en cámaras "plenum" (presurizadas), utilice únicamente cables con la certificación correspondiente.

Advertencia sobre descargas electrostáticas

¡Advertencia! Utilice una muñequera antiestática o adopte otras medidas adecuadas para evitar descargas electrostáticas cuando esté manipulando este equipo.

Advertencia sobre peligros de tensión

¡Advertencia! Nunca instale o construya un mástil, poste o torre cerca de líneas eléctricas aéreas.

¡Advertencia! El módulo inyector de alimentación POE está diseñado para ser utilizado únicamente en interiores.



DIRECTIVAS ROHS/WEEE

En los estados miembros de la UE, en Noruega y en Suiza, este producto debe ser objeto de una recogida y tratamiento por separado al llegar al final de su vida útil. En estos países, el tratamiento aplicado a los productos que hayan alcanzado el final de su vida útil debe cumplir las leyes nacionales aplicables e implementar la directiva 2002/96CE sobre Equipos de terminales de radio y telecomunicaciones (WEEE).

La directiva WEEE 2002/96/CE y la directiva RoHS (Restricción de sustancias peligrosas) 2002/95/CE regulan la recogida, reciclado y recuperación de varias categorías de productos eléctricos y sus desechos.

La directiva sobre Restricción de sustancias peligrosas (RoHS) (2002/95/CE), que acompaña a la directiva WEEE, prohíbe el uso de metales pesados y de retardadores de llama bromados en la fabricación de equipos eléctricos y electrónicos. Los materiales específicamente restringidos por la directiva RoHS son el plomo (incluida la soldadura utilizada en PCB), el cadmio, el mercurio, el cromo hexavalente y el bromo.

Aruba declara que cumple la directiva WEEE (2002/96/CE) de la Unión Europea (UE). Para obtener más información sobre las directivas WEEE, consulte:

<http://www.dti.gov.uk/sustainability/weee/>

Cámaras “Plenum” (presurizadas)

El punto de acceso inalámbrico de Aruba cumple la norma UL 2043 para productos instalados en espacios dedicados al acondicionamiento de aire en edificios.

Français

Etats-Unis, Canada, reste du monde

Utilisation non autorisée

Ce périphérique doit être installé et utilisé conformément aux instructions du fabricant détaillées dans la documentation d'utilisation fournie avec le produit ou sous le lien vers le site Web fourni.

Il est possible que l'utilisation de périphériques sans fil soit limitée ou interdite dans certaines situations ou dans certains environnements. Ces situations peuvent par exemple inclure l'utilisation d'équipements sans fil à bord d'avions ou dans des environnements où le risque d'interférences avec d'autres périphériques ou services est perçu ou identifié comme étant dommageable.

Si vous avez des doutes en ce qui concerne la politique ou les législations qui s'appliquent à l'utilisation d'équipements sans fil dans une structure ou un environnement spécifique (aéroports, par exemple), nous vous recommandons de demander l'autorisation d'utiliser le périphérique avant de le mettre en marche.

Modifications

Les changements ou modifications apportés au périphérique et non expressément approuvés par le fabricant peuvent annuler le droit de l'utilisateur à utiliser l'équipement. De tels modifications, remplacements ou ajouts peuvent être contraires à la législation. En outre, l'utilisateur est seul responsable des interférences occasionnées par de telles actions non autorisées au niveau de la réception radio ou télévision et qui peuvent être en violation de la loi. Le fabricant et ses revendeurs ou distributeurs agréés ne peuvent être tenus responsables des détériorations ou de la violation des législations gouvernementales résultant du non-respect des présentes directives.

Informations générales destinées à l'utilisateur

Les produits de type point d'accès sans fil sont conçus selon la norme IEEE 802.11 pour les réseaux locaux sans fil définie et approuvée par l'IEEE (Institute of Electrical and Electronics Engineers). Les produits conçus conformément aux normes IEEE 802.11a et IEEE 802.11g utilisent la technologie radio OFDM (Orthogonal Frequency Division Multiplexing, multiplexage par répartition orthogonale de la fréquence). Les produits conçus conformément à la norme IEEE 802.11b utilisent la technologie radio DSSS (Direct Sequence Spread Spectrum, modulation à spectre étalé à séquence directe). Ces produits sont conçus de manière à pouvoir être utilisés en association avec d'autres produits sans fil conformes aux normes correspondantes.

Le réseau local sans fil et votre santé

Les produits de type réseau local sans fil émettent, tout comme les autres périphériques radio, de l'énergie électromagnétique de radiofréquence. Le niveau d'énergie émis est cependant inférieur au niveau d'énergie électromagnétique émis par d'autres périphériques sans fil tels que les téléphones portables, par exemple. Les produits de type réseau local sans fil fonctionnant selon les directives des recommandations et normes de sécurité en matière de radiofréquence, nous pensons que l'utilisation de nos produits de type réseau local sans fil ne présente pas de danger pour les consommateurs. Ces recommandations et normes sont le reflet d'un consensus entre le gouvernement et la communauté scientifique et résultent de délibérations des panels et comités de scientifiques qui consultent et interprètent en permanence les nombreux travaux de recherche.

Attention : exposition au rayonnement de radiofréquence

Afin de répondre aux exigences en matière d'exposition de radiofréquence du FCC, de l'Industry Canada, de l'Union européenne et d'autres organismes de réglementation mondiaux, les configurations suivantes doivent être respectées lors de l'utilisation du périphérique et de l'installation de l'antenne.

Pour les points d'accès sans fil équipés d'une antenne externe agréée, la distance de séparation entre l'antenne et le corps de toute personne (mains, poignets, pieds et chevilles inclus) doit être d'au moins 38,5 cm pour les antennes AP-ANT-7 et d'au moins 20 cm pour les antennes suivantes : AP-ANT-1, AP-ANT-2, AP-ANT-3, AP-ANT-4, AP-ANT-5, AP-ANT-6, AP-ANT-8, AP-ANT-9, AP-ANT-10, AP-ANT-11, AP-ANT-12, AP-ANT-80, AP-ANT-81, AP-ANT-82, AP-ANT-83, AP-ANT-84, AP-ANT-85, AP-ANT-86, AP-ANT-87, AP-ANT-88 et AP-ANT-89.

L'émetteur ne doit pas être placé à proximité d'autres émetteurs ou antennes.

Europe

Communauté européenne



XXXX=0681 AP70, XXXX=1313 AP65, XXXX=0681 AP60/61, XXXX=0560 AP40/41, 80

Déclaration de conformité

*Aruba Wireless Networks, Inc
1322 Crossman Avenue, Sunnyvale, CA 94089, Etats-Unis,
déclare que le point d'accès sans fil Aruba du type APXX
est conforme aux directives européennes suivantes :*

Directive R&TTE 1995/5/CE

Directive WEEE 2002/96/CE

Directive RoHS 2002/95/CE

Normes relatives à la directive R&TTE :

Article 3.2, EN 300 328v1.5.1 et EN 301 893 v1.2.3

Article 3.1b, EN 301 489-17 v1.2.1

Article 3.1a, EN 60950

Première année de mise en application : 2005

Je, le soussigné, déclare par la présente que l'équipement indiqué ci-dessus est conforme aux directives et normes susmentionnées.

Michael Smith

2006-07-01

1322 Crossman Ave., Sunnyvale, CA 94089, Etats-Unis

Pour plus d'informations, consultez le site : www.arubanetworks.com

Siège social européen

77 Oxford Street

London, W1D 2ES

Royaume-Uni

Téléphone : +44 20 7659 2024

Fax : +44 20 7043 5871

Interlocuteur : Albert Benhamou

info-emea@arubanetworks.com

Limitations de la Communauté européenne

Il est possible que certains pays européens limitent l'utilisation du périphérique. L'utilisation peut en outre être soumise à des limitations au niveau de la puissance de sortie, de l'installation ou de la bande de fréquences.

Avertissements relatifs au risque d'explosion

Avertissement ! N'utilisez pas le point d'accès à proximité de périphériques explosifs, de détonateurs non blindés ou dans un environnement explosif (sauf si une telle utilisation du périphérique a été approuvée par du personnel qualifié).

Avertissement ! Ne débranchez pas l'alimentation ou tout autre câblage dans un environnement explosif avant que du personnel qualifié, disposant d'une formation spécifique dans le domaine de la gestion des environnements explosifs, vous ait informé que cette opération ne présentait aucun danger.

Avertissement ! Ne touchez et ne déplacez pas le point d'accès lorsque les antennes sont en cours de transmission ou de réception.

Avertissements relatifs à la foudre

Avertissement ! Ne connectez et ne déconnectez pas les câbles et n'effectuez aucune tâche au niveau du matériel du point d'accès pendant un orage.

Evitez d'utiliser le produit lors d'un orage électrique. La foudre peut générer des décharges électriques.

Consignes de sécurité importantes

Lors de l'utilisation du périphérique, des consignes de sécurité de base, incluant les consignes suivantes, doivent toujours être respectées afin de réduire le risque d'incendie, de décharge électrique et de blessures physiques : n'utilisez pas le produit à proximité d'un point d'eau (à proximité d'une baignoire, d'un lavabo, d'un évier ou d'une cuve de lessivage, dans un sous-sol humide ou à proximité d'une piscine, par exemple).

Installation

Avertissements relatifs au personnel d'entretien qualifié

Avertissement ! L'installation doit uniquement être effectuée par du personnel d'entretien qualifié. Lisez et respectez l'ensemble des avertissements et des instructions figurant sur le produit ou inclus dans la documentation. Avant d'installer le produit, lisez la suite du présent document et respectez les instructions spécifiques au produit.

Lors de l'installation, la mise en place du périphérique doit toujours répondre aux exigences d'installation suivantes :

Si le périphérique n'est pas alimenté par câble Ethernet, branchez l'adaptateur secteur de l'unité dans une prise secteur murale (100 – 240 V c.a.) en utilisant uniquement l'adaptateur/le cordon d'alimentation standard fourni avec le produit.

L'emplacement du périphérique doit permettre un débranchement facile de l'adaptateur/du cordon d'alimentation de la prise secteur murale.

Ne recouvrez pas le périphérique et n'obstruez pas les orifices d'aération du périphérique avec d'autres objets.

Maintenez le périphérique à l'écart de la chaleur et de l'humidité importantes et protégez-le des vibrations et de la poussière.

L'installation doit toujours être conforme aux législations locales.

Lors de la connexion du périphérique à un système d'antenne extérieure, reportez-vous à la documentation fournie avec le kit de l'antenne extérieure pour obtenir des éléments de réglementation, des consignes de sécurité et des exigences d'installation supplémentaires.

Le point d'accès sans fil peut être connecté à l'aide de câbles à paires torsadées non blindées ou de câbles à paires torsadées blindées. Lorsque le périphérique est alimenté par câble Ethernet, utilisez uniquement des câbles à paires torsadées blindées.

Si le câblage est installé dans des plénums, utilisez uniquement des câbles adaptés aux plénums.

Avertissement relatif aux décharges électrostatiques

Avertissement ! Portez un bracelet antistatique ou prenez d'autres mesures adaptées afin d'éviter les décharges électrostatiques lors de la manipulation de l'équipement.

Avertissements relatifs aux risques électriques

Avertissement ! N'installez ou ne bâtissez jamais un mât, un pilier ou un pylône radio à proximité de lignes électriques aériennes.

Avertissement ! Le module de l'injecteur d'alimentation par câble Ethernet est uniquement conçu pour une utilisation à l'intérieur.



ROHS/WEEE

A l'issue de sa durée de vie utile, le produit fait l'objet d'une collecte et d'un traitement distinct dans les états membres de l'Union européenne, en Norvège et en Suisse. Il dispose par conséquent du symbole représenté ci-dessus. Le traitement appliqué à l'issue de la durée de vie utile des produits dans ces pays doit être conforme avec les lois nationales applicables en rapport avec la

directive 2002/96CE relative aux déchets d'équipements électriques et électroniques (WEEE).

La directive WEEE 2002/96/CE et la directive RoHS (Restriction of Hazardous Substances, limitation des substances dangereuses) 2002/95/CE définissent des objectifs en matière de collecte, de recyclage et de récupération de différentes catégories de produits électriques et de leurs déchets.

La directive RoHS 2002/95/CE, qui accompagne la directive WEEE, interdit l'utilisation de métaux lourds et d'ignifuges bromés dans le cadre de la fabrication des équipements électriques et électroniques. Les matériaux plus spécialement visés par la directive RoHS sont le plomb (y compris la brasure utilisée au niveau des circuits imprimés), le cadmium, le mercure, le chrome hexavalent et le brome.

Aruba déclare respecter la directive WEEE de l'Union européenne (UE) (2002/96/CE). Pour plus d'informations au sujet de la directive WEEE, reportez-vous au site :

<http://www.dti.gov.uk/sustainability/weee/>

Plénum

Le point d'accès sans fil Aruba est conforme à la norme UL 2043 pour les produits installés dans les espaces de traitement de l'air des bâtiments.

Italiano

Stati Uniti, Canada e tutte le altre nazioni

Uso non autorizzato

Questo dispositivo deve essere installato e utilizzato esclusivamente secondo le istruzioni fornite dal produttore, descritte nella documentazione per l'utente allegata al prodotto o disponibili selezionando il collegamento al sito Web fornito.

In alcune situazioni o alcuni ambienti, l'impiego dei dispositivi senza fili può essere limitato o vietato. Queste situazioni possono, ad esempio, includere l'uso di dispositivi senza fili a bordo di aeroplani oppure in altri ambienti in cui il rischio di interferenze con altri dispositivi è percepito o identificato come dannoso.

Se non si è certi dei criteri o delle norme che si applicano all'impiego di un dispositivo senza fili in una specifica organizzazione o uno specifico ambiente (ad esempio gli aeroporti), prima di mettere in funzione il dispositivo si consiglia di richiedere se il suo utilizzo è consentito.

Modifiche

Eventuali cambiamenti o modifiche al dispositivo non espressamente approvati dal produttore possono inficiare l'autorizzazione alla messa in funzione del dispositivo da parte dell'utente. Tali modifiche, sostituzioni o aggiunte possono essere contrarie alle norme vigenti. Le interferenze con le trasmissioni radio o televisive provocate da operazioni non autorizzate sono di esclusiva responsabilità dell'utente e possono rappresentare una violazione della legge. Il produttore e i rivenditori o distributori autorizzati non sono responsabili di eventuali danni o violazioni delle norme statali che possano risultare dalla mancata osservazione di queste istruzioni.

Informazioni generali per l'utente

I prodotti WAP (Wireless Access Point) si basano sugli standard IEEE 802.11 per LAN senza fili definiti e approvati dall'istituto IEEE (Institute of Electrical and Electronics Engineers). I prodotti progettati in base agli standard IEEE 802.11a e IEEE 802.11g utilizzano la tecnologia radio OFDM (Orthogonal Frequency Division Multiplexing). I prodotti progettati in base allo standard IEEE 802.11b utilizzano la tecnologia radio DSSS (Direct Sequence Spread Spectrum). Questi prodotti sono interoperabili con altri prodotti senza fili compatibili con gli standard corrispondenti.

LAN senza fili e la salute degli utenti

I prodotti LAN senza fili, come qualsiasi altro dispositivo radio, emettono energia elettromagnetica da radiofrequenza. Il livello delle radiazioni emesse è tuttavia inferiore all'energia elettromagnetica emessa da altri dispositivi senza fili, ad esempio i telefoni cellulari. Poiché i prodotti LAN senza fili funzionano entro i

limiti stabiliti dagli standard e dalle raccomandazioni di sicurezza relativi alla radiofrequenza, riteniamo che i nostri prodotti LAN senza fili siano sicuri per l'utilizzo da parte dei consumatori. Questi standard e raccomandazioni riflettono il consenso di enti statali e della comunità scientifica e derivano dalle delibere di comitati scientifici che rivedono e interpretano di continuo la vasta letteratura esistente nel campo della ricerca.

Avvertenza: esposizione alle radiazioni da radiofrequenza

In conformità con i requisiti sull'esposizione alla radiofrequenza stabiliti dagli enti FCC, Industry Canada, UE e da altri enti a livello internazionale, è necessario attenersi alle seguenti procedure di installazione dell'antenna e di configurazione del dispositivo:

Per i punti di accesso senza fili con un'antenna esterna approvata, la distanza tra l'antenna e il corpo di una persona (incluse le mani, i polsi, i piedi e le caviglie) non deve essere inferiore a 38,5 cm per l'antenna di tipo AP-ANT-7 e di 20 cm per i seguenti tipi di antenna:

AP-ANT-1, AP-ANT-2, AP-ANT-3, AP-ANT-4, AP-ANT-5, AP-ANT-6, AP-ANT-8, AP-ANT-9, AP-ANT-10, AP-ANT-11, AP-ANT-12, AP-ANT-80, AP-ANT-81, AP-ANT-82, AP-ANT-83, AP-ANT-84, AP-ANT-85, AP-ANT-86, AP-ANT-87, AP-ANT-88 e AP-ANT-89.

Il trasmettitore non deve essere posizionato con altri trasmettitori o antenne.

Europa

Paesi appartenenti alla UE



XXXX=0681 AP70, XXXX=1313 AP65, XXXX=0681 AP60/61, XXXX=0560 AP40/41, 80

Dichiarazione di conformità

Aruba Wireless Networks, Inc.
1322 Crossman Avenue, Sunnyvale, CA 94089, USA,

Dichiara che il punto di accesso senza fili Aruba, modello: APXX è conforme alle seguenti direttive dell'Unione Europea:

*Direttiva R&TTE 1995/5/CE
Direttiva WEEE 2002/96/CE
Direttiva RoHS 2002/95/CE*

Standard principali della direttiva R&TTE:

*Articolo 3.2; EN 300 328v1.5.1 ed EN 301 893 v1.2.3
Articolo 3.1b; EN 301 489-17 v1.2.1
Articolo 3.1a; EN 60950*

Prima applicazione del contrassegno annuale: 2005

Il sottoscritto dichiara che il dispositivo indicato nel presente documento è conforme alle direttive e agli standard indicati.

*Michael Smith
2006-07-01
1322 Crossman Ave., Sunnyvale, CA 94089, USA
Per informazioni dettagliate visitare il sito Web: www.arubanetworks.com*

*Sede europea
77 Oxford Street
London, W1D 2ES
Regno Unito
Telefono: +44 20 7659 2024
Fax: +44 20 7043 5871
Contatto: Albert Benhamou
info-emea@arubanetworks.com*

Limitazioni CE

In alcuni Paesi europei il funzionamento del presente dispositivo può essere soggetto a limitazioni. Possono inoltre essere in vigore limitazioni alla potenza di output, all'installazione o alla frequenza di banda.

Pericolo di esplosioni

Attenzione: non utilizzare il punto di accesso in prossimità di dispositivi esplosivi, detonatori non schermati o in altro ambiente in cui vengono utilizzati esplosivi, a meno che l'uso del dispositivo da parte di personale qualificato non sia stato approvato.

Attenzione: non scollegare i cavi di alimentazione o altri cavi in ambienti in cui vengono utilizzati esplosivi fino a quando il personale qualificato, addestrato

specificamente a maneggiare esplosivi, non abbia determinato che l'operazione non presenta rischi.

Attenzione: non toccare o spostare il punto di accesso mentre le antenne sono in fase di trasmissione o ricezione.

Pericolo di fulminazione

Attenzione: non collegare o scollegare i cavi o maneggiare i componenti hardware del punto di accesso durante temporali con intensa attività elettrica.

Non utilizzare questo prodotto mentre sono in corso temporali; questa condizione può comportare il rischio remoto di fulminazione.

Importanti istruzioni sulla sicurezza

Quando si utilizza questo dispositivo, è opportuno seguire alcune precauzioni fondamentali per ridurre il rischio di incendio, scosse elettriche e danni alle persone, incluse le seguenti: non impiegare il prodotto in prossimità di acqua, ad esempio accanto a vasche da bagno, lavandini, lavelli o vasche per il lavaggio, in seminterrati umidi oppure accanto a una piscina.

Installazione

Impiegare solo personale tecnico qualificato

Attenzione: l'installazione deve essere eseguita solo da personale tecnico qualificato. Leggere e seguire tutte le istruzioni e gli avvisi presenti sul prodotto o inclusi nella documentazione. Prima di installare il prodotto, leggere la parte rimanente del presente documento e seguire le istruzioni specifiche per il prodotto.

Durante l'installazione, il posizionamento del dispositivo deve anche soddisfare i seguenti requisiti di installazione:

Se non si utilizza un POE, collegare l'adattatore CA dell'unità a una presa CA a muro (100-240 VCA) utilizzando solo il cavo di alimentazione/l'adattatore standard fornito con il prodotto.

Il posizionamento deve consentire di scollegare facilmente il cavo di alimentazione/l'adattatore del dispositivo dalla presa a muro.

Non coprire il dispositivo o bloccare il flusso d'aria al dispositivo con altri oggetti.

Tenere il dispositivo lontano da fonti di calore eccessivo e dall'umidità e al riparo da vibrazioni e polvere.

L'installazione deve essere sempre conforme alle norme locali.

Quando il dispositivo viene collegato a un'antenna esterna, consultare la documentazione fornita con il kit per l'antenna esterna per verificare la presenza di ulteriori norme, istruzioni per la sicurezza e requisiti di installazione.

Le connessioni al punto di accesso senza fili possono essere eseguite con cavi UTP (Unshielded Twisted Pair) o STP (Shielded Twisted Pair cabling). Quando si utilizza il dispositivo con POE (Power Over Ethernet), utilizzare solo cavi STP.

Quando i cavi vengono installati all'interno di camere di accumulazione, utilizzare solo cavi raccomandati per tali ambienti.

Scariche elettrostatiche

Attenzione: indossare bracciali antistatici o adottare tutte le misure idonee a prevenire le scariche elettrostatiche quando si utilizza questo dispositivo.

Scosse elettriche

Attenzione: non installare o costruire piloni, pertiche o torri di antenne radio in prossimità di linee di alimentazione sopraelevate.

Attenzione: il modulo dell'iniettore POE è progettato per l'uso esclusivo in ambienti chiusi.



ROHS/WEEE

Questo prodotto, alla fine della durata utile, è soggetto alla raccolta e allo smaltimento separati negli Stati membri della UE, in Norvegia e in Svizzera ed è quindi contrassegnato con il simbolo mostrato in precedenza. Lo smaltimento di questi prodotti in tali Paesi deve essere conforme alle leggi applicabili che implementano la Direttiva q2002/96CE sui rifiuti di dispositivi elettrici ed elettronici (WEEE).

La Direttiva WEEE 2002/96/CE e la Direttiva RoHS (Restriction of Hazardous Substances) 2002/95/CE stabiliscono obiettivi per la raccolta, il riciclo e il recupero per varie categorie di prodotti elettrici e il loro smaltimento.

La Direttiva RoHS 2002/95/CE, che integra la Direttiva WEEE, vieta l'uso di metalli pesanti e ritardanti di fiamma bromurati nella produzione di dispositivi elettrici ed elettronici. Nello specifico, i materiali sottoposti a limitazioni in base alla Direttiva RoHS sono: piombo (incluso quello per saldatura utilizzato nei circuiti stampati), cadmio, mercurio, cromo esavalente e bromo.

Aruba dichiara la conformità dei propri prodotti alla Direttiva WEEE dell'Unione Europea (UE) 2002/96/CE. Per ulteriori informazioni sulla Direttiva WEEE, consultare il sito Web:

<http://www.dti.gov.uk/sustainability/weee/>

Camere di accumulazione

Il punto di accesso senza fili Aruba è conforme allo standard UL 2043 relativo ai prodotti installati negli spazi di condizionamento dell'aria degli edifici.

Latviski

ASV, Kanāda, pārējās pasaules valstis

Neatļauta izmantošana

Šī ierīce ir jāuzstāda un jāizmanto tikai saskaņā ar ražotāja instrukcijām, kas norādītas produkta komplektācijā iekļautajā lietotāja dokumentācijā vai pieejamas, izmantojot norādīto saiti uz tīmekļa vietni.

Dažos gadījumos un noteiktās vidēs bezvadu ierīču izmantošana var būt ierobežota vai aizliegta. Piemēram, šādi gadījumi var ietvert bezvadu aprīkojuma izmantošanu lidaparātos vai jebkurā citā vidē, kur risks izraisīt traucējumus citām ierīcēm vai pakalpojumiem tiek uzskatīts par kaitējošu.

Ja neesat pārliecināts par noteikumiem vai kārtību, kas attiecas uz bezvadu aprīkojuma izmantošanu noteiktā organizācijā vai vidē (piemēram, lidostā), ieteicams pirms ierīces izmantošanas lūgt atļauju to darīt.

Modifikācijas

Visas šīs ierīces izmaiņas un modifikācijas, ko ražotājs nav īpaši apstiprinājis, var atcelt lietotāja tiesības izmantot šo aprīkojumu. Noteikumi, iespējams, aizliedz šādu modificēšanu, aizvietošanu vai pievienošanu, un lietotājs ir pilnībā atbildīgs par šādas neatļautas darbības rezultātā izraisītajiem radio vai televīzijas traucējumiem, turklāt tas var būt likuma pārkāpums. Ražotājs un tā pilnvarotie tālākpārdevēji un izplatītāji neatbild ne par kādiem bojājumiem un valdības noteikumu pārkāpumiem, kas var rasties, neievērojot šos norādījumus.

Vispārīga informācija lietotājiem

Bezvadu piekļuves punktu produktu pamatā ir bezvadu lokālajiem tīkliem paredzētie standarti IEEE 802.11, ko definējis un apstiprinājis Elektrotehnikas un elektronikas inženieru institūts. Produkti, kas izstrādāti saskaņā ar standartiem IEEE 802.11a un IEEE 802.11g, izmanto ortogonālo frekvenčdales multipleksēšanas (OFDM) radio tehnoloģiju. Produkti, kas izstrādāti saskaņā ar standartu IEEE 802.11b, izmanto tiešās secības izplatīšanas spektra (DSSS) radio tehnoloģiju. Šie produkti ir veidoti, lai būtu sadarbspējīgi ar citiem bezvadu produktiem, kas atbilst tiem pašiem standartiem.

Bezvadu lokālais tīkls un jūsu veselība

Bezvadu lokālā tīkla produkti līdzīgi kā pārējās radio ierīces izstaro elektromagnētisko enerģiju radio frekvenču diapazonā. Tomēr izstarotās enerģijas līmenis ir mazāks par elektromagnētisko enerģiju, ko izstaro citas ierīces, piemēram, mobilie tālruņi. Tā kā bezvadu lokālā tīkla produkti darbojas saskaņā ar radio frekvenču drošības standartiem un ieteikumiem, mēs uzskatām, ka mūsu bezvadu lokālā tīkla produkti patērētājiem nav kaitīgi. Šie standarti un ieteikumi atspoguļo valdības un zinātnieku vienprātību, kā arī ir radušies, šos

jautājumus apspriežot zinātnieku grupās un komitejās, kas nepārtraukti pārskata un interpretē plašo zinātniskās literatūras klāstu.

Uzmanību! Pakļautība radio frekvences starojumam

Lai rīkotos saskaņā ar FCC, *Industry Canada*, ES un citām pasaules valstu reglamentējošo institūciju prasībām par pakļaušanu radio frekvenču starojumam, jāievēro šādas antenas uzstādīšanas un ierīces darbības konfigurācijas: bezvadu piekļuves punktiem izmantojot apstiprinātu ārējo antenu, attālumam starp antenu un jebkuru personas ķermeņa daļu (ieskaitot rokas, plaukstu locītavas, pēdas un potītes) jābūt vismaz 38,5 cm, ja tiek izmantota antena AP-ANT-7, un 20 cm, ja tiek izmantotas šādas antenas:

AP-ANT-1, AP-ANT-2, AP-ANT-3, AP-ANT-4, AP-ANT-5, AP-ANT-6, AP-ANT-8, AP-ANT-9, AP-ANT-10, AP-ANT-11, AP-ANT-12, AP-ANT-80, AP-ANT-81, AP-ANT-82, AP-ANT-83, AP-ANT-84, AP-ANT-85, AP-ANT-86, AP-ANT-87, AP-ANT-88 un AP-ANT-89.

Raidītājs nedrīkst atrasties vienuviet kopā ar citiem raidītājiem un antenām.

Eiropa

Eiropas Kopienas



XXXX=0681 AP70, XXXX=1313 AP65, XXXX=0681 AP60/61, XXXX=0560 AP40/41, 80

Atbilstības deklarācija

Aruba Wireless Networks, Inc
 1322 Crossman Avenue, Sunnyvale, CA 94089, USA,
 deklarē, ka "Aruba" bezvadu piekļuves punkts, modelis: APXX
 atbilst šādām Eiropas Savienības direktīvām:

R&TTE direktīva 1995/5/EK

EEIA direktīva 2002/96/EK

RoHS direktīva 2002/95/EK

R&TTE direktīvai atbilstošie standarti:

Punkts 3.2; EN 300 328v1.5.1 un EN 301 893 v1.2.3

Punkts 3.1b; EN 301 489-17 v1.2.1

Punkts 3.1a; EN 60950

Gads, no kura tiek izmantota zīme: 2005

Es, apakšā parakstījies, ar šo deklarēju, ka minētais aprīkojums atbilst norādītajām direktīvām un standartiem.

Michael Smith

01.07.2006.

1322 Crossman Ave., Sunnyvale, CA 94089, USA

Lai iegūtu detalizētu informāciju, apmeklējiet: www.arubanetworks.com

European Headquarters

77 Oxford Street

London, W1D 2ES

United Kingdom

Tālrunis: +44 20 7659 2024

Fakss: +44 20 7043 5871

Kontaktpersona: Albert Benhamou

info-emea@arubanetworks.com

EK ierobežojumi

Dažās Eiropas valstīs var būt ierobežota šīs ierīces izmantošana, kā arī ir iespējami noteikti izejas jaudas, uzstādīšanas vai frekvenču joslas ierobežojumi.

Brīdinājums par drošību sprādzienbīstamības vietās

Brīdinājums! Nedarbiniet piekļuves punktu sprādzienbīstamu ierīču, neekranētu detonatoru tuvumā, kā arī jebkurā sprādzienbīstamā vidē, ja ierīces izmantošanu šādā vietā nav atļāvis kvalificēts personāls.

Brīdinājums! Neatvienojiet elektropadeves vai citu kabeli sprādzienbīstamā vidē, kamēr kvalificēts personāls, kas īpaši apmācīts rīcībai sprādzienbīstamā vidē, nav noteicis, ka to var droši darīt.

Brīdinājums! Neaiztieciot un nepārvietojiet piekļuves punktu brīdī, kad antenas pārraida vai uztver signālu.

Brīdinājums par zibeni

Brīdinājums! Zibens aktivitāšu laikā nepievienojiet un neatvienojiet kabelus, kā arī citādi nestrādājiet ar piekļuves punkta aparatūru.

Izvairieties no šī produkta izmantošanas elektrisko vētru laikā. Iespējams attāls risks saņemt zibens izraisītu elektriskās strāvas triecienu.

Svarīgi norādījumi par drošību

Izmantojot šo ierīci, vienmēr jāievēro pamata drošības piesardzība, lai samazinātu risku izraisīt ugunsgrēku, saņemt elektriskās strāvas triecienu vai savainot kādu personu, ieskaitot šādas darbības: neizmantojiet šo produktu ūdens tuvumā, piemēram, vannas, izlietnes vai veļas mazgājamās mašīnas tuvumā, mitrā pagrabā, kā arī peldbaseina tuvumā.

Uzstādīšana

Brīdinājums par kvalificētu servisa personālu

Brīdinājums! Uzstādīšanu drīkst veikt tikai kvalificēts servisa personāls. Izlasiet un ievērojiet visus brīdinājumus un norādījumus, kas norādīti uz produkta vai dokumentācijā. Pirms produkta uzstādīšanas izlasiet pārējo šīs dokumentācijas daļu un ievērojiet šim produkta modelim atbilstošos īpašos norādījumus.

Uzstādot ierīci, tās novietojumam jāatbilst arī šādām uzstādīšanas prasībām:

Ja neizmantojat POE, pievienojiet ierīces maiņstrāvas adapteri maiņstrāvas kontaktligzdai (100–240 V maiņstrāvai), lietojot tikai produkta komplektācijā iekļauto standarta strāvas kabeli/adapteri.

Novietojumam jābūt tādām, lai ierīces strāvas kabeli/adapteri varētu ērti atvienot no maiņstrāvas kontaktligzdas.

Neapklājiet ierīci, kā arī neaizsprostojiet ar citiem priekšmetiem gaisa plūsmu uz ierīci.

Neturiet ierīci pārmērīgā karstumā un mitrumā, kā arī pasargājiet to no vibrācijas un putekļiem.

Uzstādot ierīci, vienmēr jāievēro vietējie noteikumi.

Ja ierīce tiks pievienota āra antenas sistēmai, izmantojiet āra antenas komplektā iekļauto dokumentāciju, lai uzzinātu papildu reglamentējošo informāciju, drošības norādījumus un uzstādīšanas prasības.

Savienojumus ar bezvadu piekļuves punktu var veidot, izmantojot neekranētu vītā pāra (UTP) vai ekranētu vītā pāra (STP) kabeli. Izmantojot ierīci kopā ar

tehnoloģiju *Power over Ethernet*, izmantojiet tikai ekranētu vītā pāra (STP) kabeli.

Ja kabeli tiek uzstādīti ēku komunikāciju kanālos izmantojiet tikai ēku komunikāciju kanāliem paredzētos kabelus.

Brīdinājums par elektrostatisko izlādi

Brīdinājums! Rīkojoties ar šo aprīkojumu, izmantojiet antistatisku aproci vai citu piemērotu līdzekli, lai nepieļautu elektrostatisko izlādi.

Brīdinājums par elektroenerģijas risku

Brīdinājums! Nekad neuzstādi un nekonstruēji radio mastu, kārti vai torni gaisvadu elektropārvades līniju tuvumā.

Brīdinājums! POE elektropadeves inžektora modulis ir paredzēts izmantošanai tikai iekšējās.



ROHS/EEIA

ES dalībvalstīs, Norvēģijā un Šveicē šis produkts tā kalpošanas laika beigās ir atbilstoši jāsavāc un jāpārstrādā, tāpēc tas ir atzīmēts ar norādīto simbolu. Minētajās valstīs šādu produktu pārstrāde to kalpošanas laika beigās ir jāveic atbilstoši nacionālajai likumdošanai, kas atbilst direktīvai 2002/96/EK par elektrisko un elektronisko iekārtu atkritumiem (EEIA).

EEIA direktīva 2002/96/EK un RoHS (bīstamu vielu izmantošanas ierobežošana) direktīva 2002/95/EK dažādām elektrisko produktu un to atkritumu kategorijām norāda savākšanas, pārstrādes un materiālu atgūšanas mērķus.

Direktīva par bīstamu vielu izmantošanas ierobežošānu (RoHS) (2002/95/EK), kas papildina EEIA direktīvu, aizliedz elektriskā un elektroniskā aprīkojuma ražošanā izmantot smagos metālus un bromētus pretaiždegšanās materiālus. Ar RoHS direktīvu īpaši aizliegtie materiāli ir svins (ieskaitot lodalvu, ko izmanto platēs), kadmījs, dzīvsudrabs, sešvērtīgais hroms un broms.

Aruba deklarē atbilstību Eiropas Savienības (ES) EEIA direktīvai (2002/96/EK). Papildinformāciju par EEIA skatiet šeit:

<http://www.dti.gov.uk/sustainability/weee/>

Ēku komunikāciju kanāli

Aruba bezvadu piekļuves punkts atbilst UL 2043, kas nosaka noteikumus par produktu uzstādīšanu ēku vides gaisa apmaiņas sistēmās.

Anglų kalba

JAV, Kanada, pasaulis

Neteisėtas naudojimas

Šias prietaisus turi būti įrengiamas ir naudojamas griežtai pagal gamintojo instrukcijas, pateiktas vartotojo dokumentuose, kurie pridedami prie gaminio arba pateikiami interneto svetainėje.

Tam tikromis aplinkybėmis arba tam tikroje aplinkoje belaidžių prietaisų naudojimas gali būti ribojamas arba draudžiamas. Tai, pavyzdžiui, galėtų būti belaidės įrangos naudojimas lėktuvuose arba kurioje nors kitoje aplinkoje, kur trukdžiai kitiems prietaisams ar paslaugoms gali būti arba yra vertinami kaip kenksmingi.

Jeigu nesate tikri dėl politikos arba taisyklių, taikomų belaidės įrangos naudojimui konkrečioje organizacijoje arba aplinkoje (pvz., oro uoste), prieš pradėdami naudoti įrangą rekomenduojama pasiteirauti dėl leidimo naudoti šį prietaisą.

Pakeitimai

Dėl kokių nors šio prietaiso pakeitimų, kurie nėra aiškiai patvirtinti gamintojo, vartotojui gali nebepavykti naudotis įranga. Tokie pakeitimai, sukeitimai ar priedai gali neatitikti taisyklių. Už dėl tokio neleistino veiksmo atsiradusius radijo ar televizijos trukdžius visą atsakomybę prisiima vartotojas, o toks veiksmas gali būti traktuojamas kaip įstatymo pažeidimas. Gamintojas ir jo įgalioti pardavėjai ar platintojai neprisiima jokios atsakomybės už atsiradusią žalą arba vyriausybės įstatymų pažeidimą, padarytą nesilaikant šių nurodymų.

Bendroji informacija vartotojui

Belaidės priemonės taško gaminiai grindžiami IEEE 802.11 standartais dėl belaidžių vietos kompiuterių tinklų, kuriuos nustatė ir patvirtino Elektros ir elektronikos inžinerijos institutas. Gaminuose, sukurtuose pagal IEEE 802.11a ir IEEE 802.11g standartus, paprastai naudojama ortogonalus dažninio sutankinimo (OFDM) radijo technologija. Gaminuose, sukurtuose pagal IEEE 802.11b standartą, paprastai naudojama tiesinės sekos spektro sklaidos (DSSS) radijo technologija. Šie gaminiai sukurti taip, kad juos būtų galima naudoti kartu su kitais belaidžiais gaminiais, atitinkančiais atitinkamus standartus.

Belaidžio vietos kompiuterių tinklas ir jūsų sveikata

Belaidžio vietos tinklo gaminiai, kaip ir kiti radijo prietaisai, skleidžia radijo dažnių elektromagnetinę energiją. Tačiau skleidžiamos energijos kiekis yra mažesnis nei kitų belaidžių prietaisų, pavyzdžiui, mobiliųjų telefonų, skleidžiamos elektromagnetinės energijos kiekis. Kadangi belaidžio vietos kompiuterių tinklo gaminiai veikia pagal nurodymus, išdėstytus radijo dažnių saugos standartuose ir rekomendacijose, tikime, kad mūsų belaidžio vietos kompiuterių tinklo gaminius

virtotojai galės naudoti saugiai. Šie standartai ir rekomendacijos atspindi vyriausybės ir mokslo bendruomenės pasiektą susitarimą ir specialistų grupių bei mokslininkų komitetų svarstymų, kuriuose nuolat nagrinėjama ir aiškinama išsami tyrimų medžiaga, rezultatai.

Įspėjimas: apsauga nuo radijo dažnių spinduliavimo

Laikantis Federalinės komunikacijų komisijos (FCC), Kanados pramonės departamento („Industry Canada“), ES ir kitų pasaulio kontrolės įstaigų reikalavimų dėl apsaugos nuo radijo dažnių, turi būti šie antenos įrengimo ir prietaiso veikimo nustatymai:

naudojant belaidės prieigos taškus ir patvirtintą išorinę anteną, atstumas tarp antenos ir žmogaus kūno (įskaitant rankas, riešus, pėdas ir kulkšnis) turi būti ne mažesnis kaip 38,5 cm (16 colių), naudojant anteną AP-ANT-7, ir 20 cm (8 coliai), naudojant šias antenas:

AP-ANT-1, AP-ANT-2, AP-ANT-3, AP-ANT-4, AP-ANT-5, AP-ANT-6, AP-ANT-8, AP-ANT-9, AP-ANT-10, AP-ANT-11, AP-ANT-12, AP-ANT-80, AP-ANT-81, AP-ANT-82, AP-ANT-83, AP-ANT-84, AP-ANT-85, AP-ANT-86, AP-ANT-87, AP-ANT-88 ir AP-ANT-89.

Siųstuvas su kitais siųstuvais ar antenomis nejungiamas.

Europa

Europos Bendrijos



XXXX=0681 AP70, XXXX=1313 AP65, XXXX=0681 AP60/61, XXXX=0560 AP40/41, 80

Atitikimo deklaracija

„Aruba Wireless Networks, Inc“
1322 Crossman Avenue, Sunnyvale, CA 94089, JAV,
patvirtina, kad belaidės prieigos taškas „Aruba“, modelis APXX,
atitinka šias Europos direktyvas:

Radio įrenginių ir telekomunikacijų terminalo įrenginių (R&TTE) direktyva 1995/5/EB

Elektros ir elektronikos įrenginių utilizavimo (WEEE) direktyva 2002/96/EB

Pavojingų medžiagų naudojimo apribojimo (RoHS) direktyva 2002/95/EB

Radio įrenginių ir telekomunikacijų terminalo įrenginių (R&TTE) direktyvos atitinkami standartai:

straipsnis 3.2; EN 300 328 v1.5.1 ir EN 301 893 v1.2.3

straipsnis 3.1b; EN 301 489-17 v1.2.1

straipsnis 3.1a; EN 60950

Metai, kai pirmą kartą pritaikytas žymėjimas: 2005

Aš, žemiau pasirašęs asmuo, patvirtinu, kad aukščiau nurodyta įranga atitinka aukščiau išvardintas direktyvas ir standartus.

Michael Smith

2006-07-01

1322 Crossman Ave., Sunnyvale, CA 94089, JAV

Jei reikia išsamesnės informacijos apsilankykite mūsų tinklalapyje

www.arubanetworks.com

Būstinė Europoje

77 Oxford Street

London, W1D 2ES

Jungtinė Karalystė

Telefonas +44 20 7659 2024

Faksas +44 20 7043 5871

Kontaktai: Albert Benhamou

info-emea@arubanetworks.com

EB apribojimai

Kai kuriose Europos valstybėse šio prietaiso veikimas gali būti apribotas ir jam gali būti taikomi specifiniai išėjimo energijos apribojimai, įrengimo apribojimai arba dažnių diapazono apribojimai.

Įspėjimas dėl sproginimo

Dėmesio! Nejunkite prieigos taško netoli sprogiųjų prietaisų, atvirų sprogstamųjų dangčių ar kitoje sprogioje aplinkoje, išskyrus atvejus, kai prietaisą patvirtina kvalifikuotas darbuotojas.

Dėmesio! Sprogioje aplinkoje neatjunkite maitinimo ar kitų laidų tol, kol kvalifikuotas darbuotojas, parengtas dirbti sprogioje aplinkoje, nustatys, kad tai padaryti bus saugu.

Dėmesio! Nelieskite ir nejudinkite priegos taško, kai antenos siunčia arba priima signalus.

Įspėjimas dėl žaibavimo

Dėmesio! Neprijunkite arba neatjunkite laidų ar neatlikite kitų veiksmų su priegos taško technine įranga žaibavimo metu.

Venkite naudoti prietaisą perkūnijos metu. Dėl žaibo gali kilti elektros smūgio rizika.

Svarbūs nurodymai dėl saugos

Naudojantis šiuo prietaisu, visada reikėtų laikytis pagrindinių saugos taisyklių, kad sumažėtų gaisro, elektros smūgio ir asmenų sužeidimo pavojus, įskaitant ir šiuos dalykus: nenaudokite gaminio prie vandens, pavyzdžiui, prie vonios, praustuvės, virtuvės kriauklės arba skalbimo vonelės, drėgname rūsyje arba netoli baseino.

Įrengimas

Įspėjimas dėl kvalifikuoto aptarnaujančio personalo

Dėmesio! Įrengimo darbus turi atlikti kvalifikuotas aptarnaujantis personalas. Perskaitykite ir laikykitės visų įspėjimų ir nurodymų, pateiktų ant gaminio arba dokumentuose. Prieš pradėdami įrengti gaminį, perskaitykite likusią šio dokumento dalį ir laikykitės konkrečių šiam gaminiui skirtų nurodymų.

Įrengiant prietaiso vieta turi atitikti šiuos įrengimo reikalavimus:

jeigu įrenginys veikia ne su maitinimo per eternetą tinklu (POE), prietaiso kintamosios srovės adapterį įjunkite į kintamosios srovės kištukinį lizdą (100–240 V kint. sr.), naudodamiesi tikta standartiniu maitinimo laidu ir (arba) adapteriu, pateikiamu su gaminiu.

Vieta turi būti tokia, kad būtų galima nesunkiai išjungti prietaiso maitinimo laidą ir (arba) adapterį iš kintamosios srovės kištukinio lizdo.

Prietaiso neuždenkite arba neužblokuokite oro srovės į prietaisą kitais objektais.

Laikykite prietaisą toliau nuo didelės šilumos ir drėgmės šaltinių, laikykite atokiai nuo vibracijos ir dulkių.

Įrengimas visada turi atitikti vietos taisykles.

Prijungę prietaisą prie išorinės antenos sistemos, perskaitykite dokumentus, pateiktus prie išorinės antenos komplekto, apie papildomus nurodymus, saugos instrukcijas ir įrengimo reikalavimus.

Belaidės prieigos taškus galima sujungti arba su neekranuotu dvigysliu suktos vielos (UTP) kabeliu, arba ekranuotu dvigysliu suktos vielos (STP) kabeliu. Naudodami prietaisą su maitinimu per eternetą, naudokite tik ekranuotą dvigyslį suktos vielos kabelį (STP).

Kai kabeliai įrengiami tiekiamosios ventiliacijos įrenginiuose, naudokite tik tiekiamosios ventiliacijos įrenginiams tinkamus kabelius.

Įspėjimas dėl elektrostatinės iškvovos

Dėmesio! Kad apsaugotumėte nuo elektrostatinės iškvovos dirbdami su įranga, užsidėkite antistatinius rankogalius arba imkitės kitų tinkamų priemonių.

Įspėjimas dėl elektros energijos

Dėmesio! Niekada neįrenginėkite ir nestatykite radijo stiebo, stulpo ar bokšto netoli elektros energijos linijų, esančių virš žemės.

Dėmesio! POE srovės inektorius skirtas naudoti tik patalpų viduje.

Pavojingų medžiagų naudojimo apribojimo ir Elektros ir elektronikos įrangos atliekų direktyvos



Pasibaigus šio gaminio naudojimo laikui, ES valstybėse narėse, Norvegijoje ir Šveicarijoje jis turi būti atskirai surenkamas ir apdorojamas. Todėl jis pažymėtas aukščiau pavaizduotu simboliu. Šių gaminių perdirbimas pasibaigus jų naudojimo laikui šiose šalyse atitinka visus nacionalinius įstatymus, įgyvendinančius direktyvą 2002/96EB dėl elektros ir elektroninės įrangos atliekų (WEEE).

WEEE direktyvoje 2002/96/EB ir RoHS (pavojingų medžiagų naudojimo apribojimo) direktyvoje 2005/95/EB apibrėžiamas įvairių kategorijų elektros gaminių ir jų atliekų surinkimas, perdirbimas ir utilizavimas.

Pagal pavojingų medžiagų naudojimo apribojimo (RoHS) direktyvą (2002/95/EB), papildančią WEEE direktyvą, gaminant elektros ir elektroninę įrangą draudžiama naudoti sunkiuosius metalus ir bromuotas ugnį slopinančias medžiagas. Pagal RoHS direktyvą draudžiamos medžiagos yra švinas (įskaitant lydmetali, naudojamą polichlorintuose bifeniluose), kadmio, gyvsidabris, šešiavalentis chromas ir bromas.

„Aruba“ patvirtina, kad gaminys atitinka Europos Sąjungos (ES) WEEE direktyvos (2002/96/EB) reikalavimus. Daugiau informacijos apie WEEE rasite adresu: ad

<http://www.dti.gov.uk/sustainability/weee/>

Tiekiamoji ventilacija

„Aruba“ belaidės prieigos taškas suderinamas su UL 2043 gaminiiais, kurie įrengiami pastato vėdinamose erdvėse.

Magyar

USA, Kanada és a világ többi része

Illetéktelen használat

Ezt a készüléket a gyártó utasításainak szigorú betartása mellett kell üzembe helyezni és használni. Ezek ismertetése a termékhez mellékelt felhasználói dokumentációban vagy a megadott internetcímen található.

Bizonyos helyzetekben és környezetekben a vezeték nélküli készülékek használatára korlátozó vagy tiltó rendelkezések vonatkozhatnak. Ilyen helyzetekhez sorolható például a vezeték nélküli eszközök használata repülőgép fedélzetén vagy bármely más olyan környezetben, amelyben a más eszközök vagy szolgáltatások általi zavarás veszélye fennállhat, és károsnak bizonyulhat.

Amennyiben nem ismeri pontosan a vezeték nélküli eszközöknek az adott szervezetben vagy környezetben (pl. repülőtér) történő használatára vonatkozó szabályokat vagy hatósági előírásokat, azt tanácsoljuk, hogy a berendezés működtetését megelőzően kérjen hivatalos engedélyt az eszköz használatára.

Módosítások

Minden olyan változtatás vagy módosítás, amelyet a felhasználó a gyártó kifejezett engedélye nélkül végzett az eszközön, megszüntetheti a felhasználó jogát a berendezés üzemeltetésére. Az ilyen módosítások, alkatrészcserek vagy bővítések szabályellenesek lehetnek, és minden ilyen illetéktelen beavatkozás által okozott rádió- vagy televízió-interferenciáért kizárólag a felhasználót terheli a felelősség, továbbá az ilyen zavarás törvényszegésnek minősíthető. A gyártó és hivatalos viszonteladók nem vállalnak semmilyen felelősséget azokért a károkért vagy a hatósági előírások megszegéséért, amelyek a szóban forgó irányelvek betartásának elmulasztásából erednek.

Általános felhasználói tájékoztatás

A vezeték nélküli hozzáférési pontok, mint termékek az IEEE (Institute of Electrical and Electronics Engineers) által a vezeték nélküli LAN-okra kidolgozott és elfogadott IEEE 802.11-es szabványokat követik. Az IEEE 802.11a és az IEEE 802.11g szabványok szerint tervezett termékek ortogonális frekvenciaosztásos multiplexeléses (Orthogonal Frequency Division Multiplexing, OFDM) rádiótechnológiát alkalmaznak. Az IEEE 802.11b szabvány szerint tervezett termékek közvetlen sorrendű szórt spektrumú (Direct Sequence Spread Spectrum, DSSS) rádiótechnológiát alkalmaznak. Ezeket a termékeket úgy tervezték, hogy együttműködhessenek más olyan vezeték nélküli termékekkel, amelyek megfelelnek az érintett szabványoknak.

A vezeték nélküli LAN és a felhasználó egészsége

A vezeték nélküli LAN (WLAN) termékekből, más rádiókészülékekhez hasonlóan, rádiófrekvenciás elektromágneses energia áramlik ki. A kibocsátott energia szintje azonban alacsonyabb az olyan más vezeték nélküli eszközökből kisugárzottnál, mint amilyenek például a mobiltelefonok. Mivel a WLAN-termékek a rádiófrekvenciás berendezések biztonságtechnikai előírásait követő irányelvekkel és javaslatokkal összhangban működnek, meggyőződésünk, hogy WLAN-termékeink nem veszélyeztetik a felhasználó biztonságát. Ezek a szabványok és javaslatok a kormányhatóságok és a tudósközösség konszenzusát tükrözik, és olyan tudományos testületek és bizottságok határozatai alapján jöttek létre, amelyek folyamatosan követik és értelmezik a kiterjedt vonatkozó szakirodalmat.

Vigyázat: Rádiófrekvenciás besugárzás veszélye

Az FCC, az Industry Canada, az EU és más nemzetközi szabályozó hatóságok rádiófrekvenciás besugárzásra vonatkozó előírásainak az alábbi antennatelepítési és eszközkonfigurációk felelnek meg. Vezeték nélküli hozzáférési pontoknál: engedélyezett külső antenna használata mellett az antenna és a közelben tartózkodó személyek bármely testrésze (többek között keze, csuklója, lába és bokája) közötti biztonsági távolság legalább 38,5 cm (16") az AP-ANT-7-es antennánál, és 20 cm (8") az alábbi antennáknál: AP-ANT-1, AP-ANT-2, AP-ANT-3, AP-ANT-4, AP-ANT-5, AP-ANT-6, AP-ANT-8, AP-ANT-9, AP-ANT-10, AP-ANT-11, AP-ANT-12, AP-ANT-80, AP-ANT-81, AP-ANT-82, AP-ANT-83, AP-ANT-84, AP-ANT-85, AP-ANT-86, AP-ANT-87, AP-ANT-88, és AP-ANT-89.

Az adót nem szabad más adókkal vagy antennákkal együtt elhelyezni.

Európa

Európai Közösségek



XXXX=0681 AP70, XXXX=1313 AP65, XXXX=0681 AP60/61, XXXX=0560 AP40/41, 80

Megfelelőségi nyilatkozat

Az Aruba Wireless Networks, Inc
(1322 Crossman Avenue, Sunnyvale, CA 94089, USA)
kijelenti, hogy az Aruba Wireless Access Point termékcsalád következő
megjelölésű modellje: APXX megfelel a következő európai irányelveknek:

1995/5/EC számú RTTE direktíva
2002/96/EC számú WEEE direktíva
2002/95/EC számú RoHS direktíva

Az RTTE direktívához kapcsolódó vonatkozó szabványok:

3.2. szakasz: EN 300 328v1.5.1 és EN 301 893 v1.2.3
3.1b szakasz: EN 301 489-17 v1.2.1
3.1a szakasz: EN 60950

Megfelelőségi jelölés alkalmazásának első éve: 2005

Alulírott ezennel kijelentem, hogy a fent meghatározott berendezés megfelel a
fenti irányelveknek és szabványoknak.

Michael Smith
2006-07-01
1322 Crossman Avenue, Sunnyvale, CA 94089, USA
Részletes tájékoztatáshoz keresse fel a www.arubanetworks.com honlapot

Európai központ
77 Oxford Street
London, W1D 2ES
Egyesült Királyság
Telefon: +44 20 7659 2024
Fax: +44 20 7043 5871
Kapcsolattartó személy: Albert Benhamou
info-emea@arubanetworks.com

EK-korlátozások

Egyes európai országok korlátozhatják ennek a berendezésnek a működési
körét, és meghatározott kimeneti teljesítményre, telepítésre és a frekvenciasávra
vonatkozó korlátozások hatálya alá helyezhetik azt.

Figyelmeztetés robbanásveszélyre

Vigyázat! Ne működtesse a hozzáférési pontot robbanásveszélyes berendezés
vagy árnyékolatlan gyutacsok közelében, illetve egyéb okokból

robbanásveszélyesnek minősülő környezetben, kivéve, ha a berendezést szakember ilyen környezetben való használatra engedélyezte.

Vigyázat! Ne húzza ki a berendezés tápvezetékét vagy egyéb kábelét robbanásveszélyes környezetben, kivéve, ha a berendezések robbanásveszélyes környezetben történő kezelésére kiképzett szakember megállapította, hogy ez biztonságosan megtehető.

Vigyázat! Ne érintse meg a hozzáférési pontot, és ne mozdítsa el azt, miközben az antennák jeleket közvetítenek vagy fogadnak.

Villámvédelmi figyelmeztetés

Vigyázat! Ne csatlakoztasson vagy vállasszon le kábeleket, illetve ne végezzen semmilyen műveletet a hozzáférési ponton, amíg el nem múlik a villámveszély.

Kerülje ennek a terméknek a használatát villámlásos vihar közben. Számolni kell a villámlás okozta áramütés némi kockázatával.

Fontos biztonsági előírások

Ennek a berendezésnek a használata közben a tűzveszély, áramütés és személyi sérülések elkerülése érdekében állandóan biztosítani kell az alapvető biztonsági előírások betartását, többek között a következőket: ne használja ezt a terméket víz közelében, például fürdőkád, mosdó, konyhai mosogató, mosókád mellett, nedves pincében vagy úszómedence közelében.

Üzembe helyezés

Szervizszakembernek szóló figyelmeztetés

Vigyázat! Az üzembe helyezést csak megfelelően képzett szakember végezheti. Olvassa el és kövesse a terméken feltüntetett vagy a termék dokumentációjában megtalálható összes figyelmeztető megjegyzést és utasítást. A termék üzembe helyezése előtt olvassa el a jelen leírás további részeit, és kövesse a termék használatára vonatkozó utasításokat.

Üzembe helyezéskor arra is ügyeljen, hogy a készüléket a következő telepítési követelményeknek megfelelően kell elhelyezni:

Ha az áramellátás nem az Ethernet-kábelen keresztül biztosított (Power over Ethernet, POE), akkor kizárólag a termékhez mellékelt szabványos hálózati kábellel/adapterrel csatlakoztassa a váltóáramú adaptert a hálózati fali aljzatra (100–240 V~).

A készülék elhelyezésénél biztosítani kell, hogy annak hálózati kábelét/adapterét könnyen le lehessen választani a konnektorról.

Ne takarja le a készüléket, illetve ne akadályozza bármilyen más tárggyal az azt érő légáramot.

Tartsa távol a készüléket túlzott melegtől és nedvességtől, óvja a rázkódástól és portól.

A berendezésnek minden körülmények között meg kell felelnie a helyi előírásoknak.

A berendezésnek kültéri antennarendszerhez való csatlakoztatása esetén tanulmányozza át a kültéri antennakészlethez mellékelte dokumentációban olvasható kiegészítő hatósági szabályozói információkat, biztonsági útmutatásokat és telepítési követelményeket.

A vezeték nélküli hozzáférési pont csatlakoztatását árnyékolatlan csavart érpáras (UTP) vagy árnyékolt csavart érpáras (STP) kábelezéssel lehet megvalósítani. Ha a készüléket Ethernet-kábeles áramellátással (POE) használja, akkor csak árnyékolt csavart érpáras (STP) kábelezési rendszert alkalmazzon.

Ha a kábelezést nyomószellőztetéses térben telepíti, akkor csak ilyen környezet követelményeinek megfelelő kábeleket használjon.

Figyelmeztetés elektrosztatikus kisülésre

Vigyázat! Ennek a készüléknek a kezelésekor viseljen antisztatikus csuklópántot, vagy foganatosítson más megfelelő biztonsági rendszabályt az elektrosztatikus kisülés megelőzésére.

Figyelmeztetés a tápellátással kapcsolatos veszélyekre

Vigyázat! Soha ne állítson fel vagy építsen antennaárbocot, oszlopot vagy tornyot felsővezetékek közelében

Vigyázat! A POE tápellátó modul kizárólag épületeken belüli használatra van kialakítva.



ROHS/WEEE

Ezt a terméket az EU-tagállamokban, Norvégiában és Svájcban élettartama végén külön kell begyűjteni és kezelni. Ezért a fenti szimbólummal van megjelölve. Ezek a termékek ezekben az országokban élettartamuk végén olyan kezelésben részesülnek, amely megfelel az elektromos és elektronikus készülékek hulladékairól (WEEE) rendelkező 2002/96/EC direktívát érvényesítő vonatkozó nemzeti törvényeknek.

A 2002/96/EC WEEE irányelv és a veszélyes összetevők felhasználásáról rendelkező (RoHS) 2002/95/EC direktíva rendelkezik a különböző kategóriájú elektronikus termékek és hulladékaik begyűjtésének, újrafeldolgozásának és újrahasznosításának teljesítendő céljairól.

A WEEE direktívát kiegészítő, a veszélyes összetevők felhasználásáról rendelkező (RoHS) (2002/95/EC) korlátozó határozat tiltja a nehézfémeknek és a brómozott gyulladásgátló szereknek az elektromos és elektronikus berendezések gyártásánál történő alkalmazását. A RoHS direktíva hatálya alá eső korlátozottan alkalmazható anyagok közé közelebbről az ólom (ide sorolva a NYÁK-ok forrasztásnál alkalmazott forrasztófémet), a kadmium, a higany, a hat vegyértékű króm és a bróm tartozik.

Az Aruba kijelenti, hogy megfelel az Európai Unió (EU) WEEE direktívájának (2002/96/EC). Ha részletesebben kíván tájékozódni a WEEE-ről, keresse fel a következő webcímet:

<http://www.dti.gov.uk/sustainability/weee/>

Nyomószellőztetési környezetek

Az Aruba vezeték nélküli hozzáférési pont megfelel az épületek légkondicionált térségeiben telepített termékekre vonatkozó UL 2043-as előírásoknak.

Nederlands

VS, Canada, rest van de wereld

Onbevoegd gebruik

Dit apparaat moet exact worden geïnstalleerd en gebruikt volgens de instructies van de fabrikant die staan beschreven in de gebruikersdocumentatie die wordt meegeleverd met het product of die is te vinden onder de aangegeven link op internet.

In bepaalde situaties of omgevingen is het gebruik van draadloze apparaten mogelijk beperkt of verboden. Voorbeelden van dergelijke situaties zijn het gebruik van draadloze apparatuur aan boord van een vliegtuig of in een andere omgeving waar het risico van storing van andere apparaten of services aanwezig is of als schadelijk wordt beschouwd.

Als u niet zeker weet wat het beleid is of wat de voorschriften zijn met betrekking tot het gebruik van draadloze apparatuur in een specifieke organisatie of omgeving (bijvoorbeeld luchthavens), wordt u geadviseerd om toestemming te vragen voor het gebruik van dit apparaat alvorens het daadwerkelijk te gaan gebruiken.

Aanpassingen

Alle wijzigingen of aanpassingen aan dit apparaat die niet uitdrukkelijk zijn goedgekeurd door de fabrikant kunnen de bevoegdheid van de gebruiker om de apparatuur te bedienen doen vervallen. Dergelijke aanpassingen, vervangingen of toevoegingen kunnen tegen de voorschriften zijn en storing in radio- of televisieontvangst die door dergelijke onbevoegde acties wordt veroorzaakt, is uitsluitend de verantwoordelijkheid van de gebruiker en kan in strijd zijn met de wet. De fabrikant en zijn geautoriseerde wederverkopers of distributeurs zijn niet aansprakelijk voor enige schade of overtreding van overheidsvoorschriften die mogelijk voortvloeit uit het niet volgen van deze richtlijnen.

Algemene informatie voor de gebruiker

Producten voor draadloze toegangspunten zijn gebaseerd op de IEEE 802.11-normen voor draadloze LAN's, zoals gedefinieerd en goedgekeurd door de Amerikaanse IEEE (Institute of Electrical and Electronics Engineers). Producten die zijn ontworpen volgens de normen IEEE 802.11a en IEEE 802.11g maken gebruik van OFDM-technologie (Orthogonal Frequency Division Multiplexing). Producten die zijn ontworpen overeenkomstig de norm IEEE 802.11b maken gebruik van DSSS-radiotechnologie (Direct Sequence Spread Spectrum). Deze producten zijn ontworpen voor interoperabiliteit met andere draadloze producten die aan de overeenkomstige normen voldoen.

Draadloze LAN en uw gezondheid

Net als alle andere radio toestellen zenden draadloze LAN-producten elektromagnetische radiofrequentie-energie uit. Het niveau van de uitgezonden energie is echter lager dan de elektromagnetische energie die wordt uitgezonden door andere draadloze apparaten, zoals bijvoorbeeld mobiele telefoons.

Aangezien draadloze LAN-producten werken volgens de richtlijnen in normen en aanbevelingen voor veilig gebruik van radiofrequentie-energie, zijn wij ervan overtuigd dat onze draadloze LAN-producten veilig zijn voor gebruik door consumenten. Deze normen en aanbevelingen vormen een afspiegeling van de consensus bij zowel overheden als de wetenschappelijke wereld en zijn het resultaat van overleg binnen panels en commissies van wetenschappers die doorlopend de uitgebreide onderzoeksliteratuur bestuderen en interpreteren.

Waarschuwing: blootstelling aan radiofrequentiestraling

Teneinde te voldoen aan de vereisten met betrekking tot blootstelling aan radiofrequentiestraling van FCC, Industry Canada, EU en wetgevende instanties elders in de wereld, moet aan de volgende voorschriften met betrekking tot de installatie van antennes en de configuratie van bedrijfsinstellingen van apparaten worden voldaan:

bij draadloze toegangspunten waarbij gebruik wordt gemaakt van een goedgekeurde externe antenne moet de scheidingsafstand tussen de antenne en het lichaam van alle persoon (met inbegrip van handen, polsen, voeten en enkels) ten minste 38,5 cm bedragen voor antenne AP-ANT-7 en 20 cm voor de volgende antennes:

AP-ANT-1, AP-ANT-2, AP-ANT-3, AP-ANT-4, AP-ANT-5, AP-ANT-6, AP-ANT-8, AP-ANT-9, AP-ANT-10, AP-ANT-11, AP-ANT-12, AP-ANT-80, AP-ANT-81, AP-ANT-82, AP-ANT-83, AP-ANT-84, AP-ANT-85, AP-ANT-86, AP-ANT-87, AP-ANT-88 en AP-ANT-89.

De zender mag niet in combinatie worden gebruikt met andere zenders of antennes.

Europa

Europese gemeenschap





XXXX=0681 AP70, XXXX=1313 AP65, XXXX=0681 AP60/61, XXXX=0560 AP40/41, 80

Conformiteitsverklaring

*Aruba Wireless Networks, Inc
1322 Crossman Avenue, Sunnyvale, CA 94089, VS,
verklaart dat het draadloze toegangspunt van Aruba, model APXX
voldoet aan de volgende Europese richtlijnen:*

*R&TTE-richtlijn 1995/5/EC (met betrekking tot radioapparatuur)
WEEE-richtlijn 2002/96/EC (met betrekking tot elektrisch en elektrotechnisch
afval)
RoHS-richtlijn 2002/95/EC (met betrekking tot beperking van het gebruik van
bepaalde gevaarlijke stoffen in elektrische en elektronische apparatuur)*

Relevante normen van R&TTE-richtlijn:

*Artikel 3.2; EN 300 328v1.5.1 en EN 301 893 v1.2.3
Artikel 3.1b; EN 301 489-17 v1.2.1
Artikel 3.1a; EN 60950*

Jaar waarin norm voor het eerst werd toegepast: 2005

*Ondergetekende verklaart hierbij dat de hierboven aangegeven apparatuur
voldoet aan de bovengenoemde richtlijnen en normen.*

*Michael Smith
2006-07-01
Compliance Manager
1322 Crossman Avenue, Sunnyvale, CA 94089, VS
Voor gedetailleerde informatie brengt u een bezoek aan:
www.arubanetworks.com*

*Europese hoofdkantoor
77 Oxford Street
London, W1D 2ES
Verenigd Koninkrijk
Tel: +44 20 7659 2024*

Fax: +44 20 7043 5871

Contactpersoon: Albert Benhamou
info-emea@arubanetworks.com

EU-beperkingen

In sommige Europese landen kan het gebruik van dit apparaat aan beperkingen zijn onderworpen en gelden er mogelijk specifieke limieten voor uitgangsvermogen, installatiebeperkingen of frequentiebandbeperkingen.

Waarschuwing bij gebruik in explosieve omgevingen

Waarschuwing! Gebruik het toegangspunt niet in de buurt van explosieven, niet-afgeschermd ontstekingsmechanismen of anderszins explosieve omgevingen tenzij het apparaat is goedgekeurd voor dergelijk gebruik door bevoegde medewerkers.

Waarschuwing! Koppel het netsnoer of enige andere kabel pas los in een explosieve omgeving nadat bevoegde medewerkers, die specifiek zijn getraind in het gebruik in explosieve omgevingen, hebben bepaald dat dit veilig kan gebeuren.

Waarschuwing! Raak het toegangspunt niet aan en verplaats het niet als de antennes bezig zijn met verzenden of ontvangen.

Waarschuwing met betrekking tot bliksem

Waarschuwing! Sluit geen kabels aan, koppel geen kabels los en voer geen andere werkzaamheden aan de hardware van het toegangspunt uit bij bliksem.

Vermijd het gebruik van de product tijdens onweer. Er bestaat dan mogelijk een gering risico van elektrische schokken door blikseminslag.

Belangrijke veiligheidsinstructies

Bij gebruik van dit apparaat moeten altijd elementaire veiligheidsmaatregelen worden getroffen ter vermindering van het risico van brand, elektrische schokken en persoonlijk letsel. Gebruik dit product bijvoorbeeld niet in de buurt van water, zoals bij een badkuip, wasbak, gootsteen of wasmachine, in een vochtige kelder of bij een zwembad.

Installatie

Waarschuwing met betrekking tot bevoegd servicepersoneel

Waarschuwing! De installatie mag uitsluitend worden uitgevoerd door bevoegd servicepersoneel. Lees en volg alle waarschuwingen en instructies die staan vermeld op het product of in de documentatie. Lees, voordat u het product installeert, de rest van dit document en volg specifieke productinstructies.

Bij de installatie van het apparaat moet tevens aan de volgende installatievereisten worden voldaan:

Als geen gebruik wordt gemaakt van POE, mag de wisselstroomadapter van het apparaat uitsluitend worden aangesloten op een wandcontactdoos (100-240 VAC) via het standaardnetsnoer of de standaardadapter welk(e) met het product is meegeleverd.

Het apparaat moet tevens zodanig worden geplaatst dat de stekker van het netsnoer of de adapter van het apparaat op eenvoudige wijze uit de wandcontactdoos kan worden getrokken.

Dek het apparaat niet af en blokkeer de luchtstroom naar het apparaat niet met andere voorwerpen.

Houd het apparaat uit de buurt van grote hitte en vochtigheid en voorkom trillingen en stofophoping in of bij het apparaat.

De installatie moet te allen tijde voldoen aan de plaatselijke voorschriften.

Als het apparaat wordt aangesloten op een buitenantenne, raadpleegt u de documentatie bij de antenne-installatie voor aanvullende voorschriften, veiligheidsinstructies en installatievereisten.

Verbindingen met draadloze toegangspunten kunnen tot stand worden gebracht met UTP- (Unshielded Twisted Pair – Niet-afgeschermd Twisted Pair) of STP- kabels (Shielded Twisted Pair – Afgeschermd Twisted Pair). Bij gebruik van het apparaat in combinatie met POE (Power over Ethernet), mag alleen STP- bekabeling (Shielded Twisted Pair) worden gebruikt.

Als de bekabeling wordt geïnstalleerd in plenums, gebruikt u alleen kabels die zijn goedgekeurd voor gebruik in plenums.

Waarschuwing met betrekking tot elektrostatische ontlading

Waarschuwing! Draag een antistatische polsband of neem andere geschikte maatregelen om elektrostatische ontlading te voorkomen bij het werken met de apparatuur.

Waarschuwing met betrekking tot hoogspanning

Waarschuwing! Installeer of bouw nooit een radiomast, -paal of -toren in de buurt van hoogspanningskabels.

Waarschuwing! De POE-voedingsinjectormodule is uitsluitend ontworpen voor binnengebruik.

ROHS/WEEE



Dit product moet aan het einde van zijn levenscyclus apart worden afgevoerd en verwerkt in de EU-lidstaten, Noorwegen en Zwitserland en is derhalve voorzien van het hierboven weergegeven symbool. De verwerking aan het einde van de levenscyclus van deze producten in deze landen moet plaatsvinden in overeenstemming met de geldende nationale wetten waarin richtlijn 2002/96/EC met betrekking tot elektrisch en elektrotechnisch afval (WEEE) is geïmplementeerd.

In de WEEE-richtlijn 2002/96/EC en de RoHS-richtlijn 2002/95/EC (beperking van het gebruik van bepaalde gevaarlijke stoffen) worden doelen voor inzameling, recycling en hergebruik van verschillende categorieën elektrische producten en hun afval gedefinieerd.

De RoHS-richtlijn (2002/95/EC), die in combinatie met de WEEE-richtlijn wordt gehanteerd, verbiedt het gebruik van zware metalen en gebromeerde vlamvertragers bij de productie van elektrische en elektronische apparatuur. Met name lood (inclusief soldeersel dat wordt gebruikt in PCB's), cadmium, kwik, hexavalent chroom en broom behoren tot de stoffen die worden verboden volgens de RoHS-richtlijn.

Aruba verklaart dat het voldoet aan de WEEE-richtlijn (2002/96/EC) van de Europese Unie (EU). Meer informatie over de WEEE-richtlijn is te vinden op:

<http://www.dti.gov.uk/sustainability/weee/>

Plenum

Het draadloze toegangspunt van Aruba voldoet aan de norm UL 2043 voor producten die zijn geïnstalleerd in de ruimten voor luchtbewerking van gebouwen.

Polski

USA, Kanada, reszta świata

Niedozwolone użytkowanie

Podczas instalacji i korzystania z urządzenia należy ściśle przestrzegać instrukcji producenta zawartych w podręczniku użytkownika, dostarczonym wraz z produktem lub znajdującym się na podanej witrynie internetowej.

W niektórych sytuacjach i warunkach, korzystanie z urządzeń bezprzewodowych może być ograniczone lub zabronione. Dotyczy to na przykład korzystania z

urządzeń bezprzewodowych na pokładach samolotów i we wszystkich innych miejscach, gdzie może wystąpić lub stwierdzono ryzyko szkodliwego zakłócania pracy innych urządzeń lub usług.

W razie wątpliwości co do zasad i przepisów dotyczących korzystania z urządzeń bezprzewodowych w określonej instytucji lub otoczeniu (np. na lotniskach), przed skorzystaniem z takiego urządzenia należy zapytać o pozwolenie.

Modyfikacje

Wszelkie zmiany i modyfikacje urządzenia, które nie zostały w sposób wyraźny zatwierdzone przez producenta, mogą pozbawić użytkownika prawa do korzystania z urządzenia. Takie modyfikacje, wymiana lub dodawanie części do urządzenia może być sprzeczne z przepisami. Za zakłócenia radiowe i telewizyjne, które mogą stanowić naruszenie prawa i wynikają z takich nieautoryzowanych działań, całkowitą odpowiedzialność ponosi użytkownik. Producent i jego autoryzowani przedstawiciele lub dystrybutorzy nie ponoszą odpowiedzialności za szkody lub naruszenie przepisów prawa, jakie mogą wynikać z nieprzestrzegania niniejszych wskazówek.

Ogólne informacje dla użytkownika

Produkty wykorzystujące bezprzewodowe punkty dostępowe (WAP) są oparte na normach IEEE 802.11 dotyczących bezprzewodowych sieci lokalnych LAN, określonych i zatwierdzonych przez Instytut Inżynierów Elektryków i Elektroników (IEEE). Produkty zaprojektowane zgodnie z normami IEEE 802.11a i IEEE 802.11g są oparte na technologii radiowej OFDM (Orthogonal Frequency Division Multiplexing). Produkty zaprojektowane zgodnie z normą IEEE 802.11b są oparte na technologii radiowej DSSS (Direct Sequence Spread Spectrum). Są one przeznaczone do współpracy z innymi urządzeniami bezprzewodowymi zgodnymi z odpowiednimi normami.

Wpływ bezprzewodowych sieci LAN na zdrowie użytkownika

Urządzenia bezprzewodowych sieci LAN, podobnie jak inne urządzenia radiowe, emitują energię elektromagnetyczną o częstotliwości radiowej. Poziom emitowanej energii jest jednak mniejszy od poziomu energii emitowanej przez inne urządzenia bezprzewodowe, np. telefony komórkowe. Z uwagi na fakt, że urządzenia bezprzewodowej sieci LAN działają zgodnie z wytycznymi norm i zaleceń bezpieczeństwa dotyczących częstotliwości radiowej, mamy podstawy uważać, że dostarczane przez nas urządzenia bezprzewodowej sieci LAN są bezpieczne w użytkowaniu. Takie normy i zalecenia są efektem porozumienia administracji rządowej i społeczności naukowców, zawartego w wyniku obrad paneli i komitetów naukowych, które stale wprowadzają zmiany do obszernej literatury badawczej i zajmują się jej interpretacją.

Ostrzeżenie: Narażenie na promieniowanie o częstotliwości radiowej

W celu zapewnienia zgodności z wymogami Federalnej Komisji Komunikacji (FCC), Ministerstwa Przemysłu Kanady (Industry Canada), Unii Europejskiej i

innych światowych urzędów regulacyjnych, dotyczącymi narażenia na promieniowanie o częstotliwości radiowej, wymagane jest spełnienie następujących warunków dotyczących instalacji anten i obsługi urządzeń: W przypadku bezprzewodowych punktów dostępowych używających zatwierdzonej anteny zewnętrznej, odległość pomiędzy anteną i ciałem człowieka (w tym dłońmi, nadgarstkami, stopami i kostkami) powinna wynosić co najmniej 38,5 cm dla anteny AP-ANT-7 oraz 20 cm dla następujących anten: AP-ANT-1, AP-ANT-2, AP-ANT-3, AP-ANT-4, AP-ANT-5, AP-ANT-6, AP-ANT-8, AP-ANT-9, AP-ANT-10, AP-ANT-11, AP-ANT-12, AP-ANT-80, AP-ANT-81, AP-ANT-82, AP-ANT-83, AP-ANT-84, AP-ANT-85, AP-ANT-86, AP-ANT-87, AP-ANT-88 i AP-ANT-89.

Nadajnik nie może być umieszczony obok innych nadajników lub anten.

Europa

Wspólnota Europejska



XXXX=0681 AP70, XXXX=1313 AP65, XXXX=0681 AP60/61, XXXX=0560 AP40/41, 80

Deklaracja zgodności

*Aruba Wireless Networks, Inc
1322 Crossman Avenue, Sunnyvale, CA 94089, USA,
oświadcza, że bezprzewodowy punkt dostępowy firmy Aruba, model: APXX
jest zgodny z następującymi dyrektywami europejskimi:*

Dyrektywa 1995/5/WE w sprawie urządzeń radiowych i końcowych urządzeń telekomunikacyjnych (R&TTE)

Dyrektywa 2002/96/WE w sprawie zużytego sprzętu elektrycznego i elektronicznego (WEEE)

Dyrektywa 2002/95/WE w sprawie ograniczenia użycia substancji niebezpiecznych (RoHS)

Normy związane z dyrektywą R&TTE:

Art. 3 ust. 2; EN 300 328v1.5.1 i EN 301 893 v1.2.3

Art. 3 ust. 1b; EN 301 489-17 v1.2.1

Art. 3 ust. 1a; EN 60950

Po raz pierwszy zastosowana w roku: 2005

My, niżej podpisani, oświadczamy, że określone powyżej urządzenia są zgodne z wymaganiami powyższych dyrektyw i norm.

Michael Smith

2006-07-01

1322 Crossman Avenue, Sunnyvale, CA 94089, USA

Szczegółowe informacje można znaleźć na stronie: www.arubanetworks.com

Siedziba oddziału europejskiego

77 Oxford Street

London, W1D 2ES

Wielka Brytania

Tel.: +44 20 7659 2024

Faks: +44 20 7043 5871

Osoba kontaktowa: Albert Benhamou

info-emea@arubanetworks.com

Ograniczenia wspólnotowe

W niektórych krajach europejskich korzystanie z tego urządzenia może być ograniczone i podlegać określonym limitom mocy wyjściowej, ograniczeniom instalacyjnym lub dotyczącym zakresu pasma częstotliwości.

Zagrożenie wybuchem

Ostrzeżenie! Z punktu dostępowego nie wolno korzystać w pobliżu urządzeń wybuchowych, niezabezpieczonych spłonek i w innych środowiskach zagrożonych wybuchem, jeśli nie uzyskano zgody wykwalifikowanego personelu na takie korzystanie.

Ostrzeżenie! W środowisku zagrożonym wybuchem nie wolno odłączać przewodów zasilania ani innych przewodów, chyba że wykwalifikowany personel, przeszkolony w zakresie pracy w takim środowisku, uzna to za bezpieczne.

Ostrzeżenie! Nie wolno dotykać ani przesuwac punktu dostępowego podczas transmisji lub odbioru danych przez anteny.

Ostrzeżenie przed wyladowaniami atmosferycznymi

Ostrzeżenie! Podczas wyladowań atmosferycznych nie wolno podłączać i odłączać kabli ani korzystać z punktu dostępowego.

Produktu nie należy używać podczas burzy, gdyż wiąże się to z ryzykiem porażenia piorunem.

Ważne instrukcje bezpieczeństwa

Podczas korzystania z urządzenia należy zawsze zachowywać podstawowe środki bezpieczeństwa, aby zmniejszyć ryzyko pożaru, porażenia elektrycznego i obrażeń ciała, a w szczególności: nie wolno używać produktu w pobliżu wody, np. wanny, umywalki, zlewu, w wilgotnej piwnicy lub w pobliżu basenu.

Instalacja

Ostrzeżenie dotyczące wykwalifikowanych serwisantów

Ostrzeżenie! Instalację urządzeń mogą przeprowadzać wyłącznie wykwalifikowani serwisanci. Należy przeczytać i przestrzegać ostrzeżeń i instrukcji umieszczonych na produkcie lub zawartych w dokumentacji. Przed instalacją produktu należy przeczytać niniejszy dokument do końca i przestrzegać instrukcji dla danego urządzenia.

Lokalizacja urządzenia podczas instalacji musi być zgodna z następującymi wymogami instalacyjnymi:

Jeśli nie jest wykorzystywane zasilanie w technologii PoE (Power over Ethernet), należy podłączyć zasilacz prądu zmiennego do gniazda ściennego (o napięciu 100-240 V) za pomocą standardowego przewodu zasilającego/zasilacza dostarczonego z produktem.

Urządzenie należy umieścić w taki sposób, by możliwe było łatwe wyjęcie wtyczki przewodu zasilającego/zasilacza z gniazda ściennego.

Urządzenia nie wolno nakrywać ani blokować do niego dopływu powietrza innymi przedmiotami.

Urządzenie należy chronić przed nadmiarem ciepła i wilgoci oraz zabezpieczyć przed drganiem i osadzaniem się kurzu.

Podczas instalacji należy stosować się do wymogów przepisów lokalnych.

Jeśli urządzenie ma być podłączone do zewnętrznego systemu antenowego, należy zapoznać się z dokumentacją dołączoną do zestawu anteny zewnętrznej, aby uzyskać dalsze informacje na temat przepisów, instrukcji bezpieczeństwa i wymogów instalacyjnych.

Podłączenia do bezprzewodowego punktu dostępowego można dokonywać za pomocą kabli nieekranowanych UTP lub ekranowanych STP. Podczas korzystania z produktu w połączeniu z urządzeniami wykorzystującymi technologię PoE należy stosować wyłącznie kable ekranowane STP.

Jeśli kable instalowane są w przestrzeni nad podwieszanym sufitem, należy używać wyłącznie kabli plenum.

Ostrzeżenie o wyładowaniach elektrostatycznych

Ostrzeżenie! Aby uniknąć wyładowań elektrostatycznych podczas obsługi urządzenia, należy nosić antystatyczne opaski nadgarstkowe lub przedsięwziąć inne odpowiednie środki ostrożności.

Zagrożenie porażeniem prądem

Ostrzeżenie! Nie wolno instalować ani budować masztów, słupów ani wież radiowych w pobliżu napowietrznych linii elektroenergetycznych.

Ostrzeżenie! Moduł rozgałęziacza PoE przeznaczony jest wyłącznie do użytku wewnątrz budynków.



Dyrektywy ROHS i WEEE

Niniejszy produkt podlega segregacji i obróbce na koniec okresu użytkowania w państwach członkowskich UE, Norwegii i Szwajcarii, i z tego względu jest oznaczony powyższym symbolem. Obróbka produktów na koniec okresu użytkowania w wymienionych krajach musi spełniać wymagania odpowiednich przepisów krajowych, wdrażających dyrektywę 2002/96/WE w sprawie zużytego sprzętu elektrycznego i elektronicznego (WEEE).

Dyrektywy WEEE 2002/96/WE i RoHS 2002/95/WE (w sprawie ograniczenia użycia substancji niebezpiecznych) określają cele zbiórki, utylizacji i odzysku dla różnych kategorii produktów elektrycznych i ich odpadów.

Dyrektywa 2002/95/WE w sprawie ograniczenia użycia substancji niebezpiecznych (RoHS), towarzysząca dyrektywie WEEE, zakazuje stosowania metali ciężkich oraz bromowanych środków zmniejszających palność do produkcji sprzętu elektrycznego i elektronicznego. Do materiałów, których użycie jest ograniczone na mocy dyrektywy RoHS, należą w szczególności ołów (w tym stop lutowniczy używany w polichlorowanych bifenylach (PCB)), kadm, rtęć, sześciowartościowy chrom i brom.

Firma Aruba poświadcza zgodność produktu z dyrektywą WEEE 2002/96/WE. Szczegółowe informacje na temat dyrektywy WEEE można znaleźć na stronie:

<http://www.dti.gov.uk/sustainability/weee/>

Kable plenum

Bezprzewodowy punkt dostępowy firmy Aruba jest zgodny z certyfikatem bezpieczeństwa UL 2043 w zakresie produktów instalowanych w kanałach wentylacyjnych w budynkach.

Português

Estados Unidos, Canadá, Mundo

Utilização não autorizada

Este dispositivo tem de ser instalado e utilizado estritamente de acordo com as instruções do fabricante, tal como está descrito na documentação do utilizador que é fornecida com o produto ou pela ligação ao respectivo sítio da Web.

Em algumas situações ou ambientes, a utilização de dispositivos sem fios poderá ser restrita ou proibida. Estas situações podem incluir, por exemplo, a utilização de equipamento sem fios em aviões ou noutro ambiente em que o risco de interferência com outros dispositivos ou interfaces seja considerado ou identificado como prejudicial.

Se não estiver seguro quanto à política ou aos regulamentos que se aplicam à utilização de equipamento sem fios numa organização ou ambiente específicos (por ex. aeroportos), deverá solicitar autorização para utilizar este dispositivo antes de ligar o equipamento.

Modificações

Quaisquer alterações ou modificações a este dispositivo que não sejam expressamente aprovadas pelo fabricante podem invalidar a autorização do utilizador para utilizar o equipamento. Tais modificações, substituições ou acessórios podem não estar em conformidade com os regulamentos. As interferências com qualquer rádio ou televisão causadas por esta actuação não autorizada, serão da total responsabilidade do utilizador e podem constituir uma infracção à lei. O fabricante e os respectivos revendedores ou distribuidores autorizados não são responsáveis por qualquer prejuízo ou infracção dos regulamentos governamentais que possam surgir do incumprimento destas directrizes.

Informações gerais para o utilizador

Os produtos WAP (Wireless Access Point) são fabricados em conformidade com as normas IEEE 802.11 para redes locais (LANs) sem fios, de acordo com o definido e aprovado pelo Institute of Electrical and Electronics Engineers (IEEE). Os produtos concebidos de acordo com as normas IEEE 802.11a e IEEE 802.11g utilizam a tecnologia de rádio Orthogonal Frequency Division Multiplexing (OFDM). Os produtos concebidos de acordo com a norma IEEE 802.11b utilizam a tecnologia de rádio Direct Sequence Spread Spectrum (DSSS). Estes produtos são concebidos para interagir com outros produtos sem fios que respeitem as respectivas normas.

A rede local sem fios e a sua saúde

Os produtos de rede local sem fios, como outros dispositivos de rádio, emitem energia electromagnética de radiofrequência. No entanto, o nível de energia emitido é menor que a energia electromagnética emitida por outros dispositivos sem fios como, por exemplo, telemóveis. Estamos convencidos de que a utilização, por parte do consumidor, dos nossos produtos de rede local sem fios é segura, uma vez que os mesmos funcionam de acordo com as directrizes relativas às normas e recomendações de segurança de radiofrequência. Estas normas e recomendações reflectem o consenso entre o governo e a comunidade científica, e resultam de deliberações de juntas e comissões de cientistas, que revêem e interpretam constantemente a volumosa literatura de investigação.

Cuidado: Exposição a radiação de radiofrequência

Para efeitos de conformidade com os requisitos de exposição a radiofrequência da FCC (Federal Communications Commission), da Industry Canada, da UE e de outras entidades de regulamentação mundial, deverão ser respeitadas as seguintes configurações de instalação da antena e de utilização do dispositivo: Para pontos de acesso sem fios (WAPs), utilizando uma antena externa aprovada, a distância mínima que separa a antena do corpo de uma pessoa (incluindo mãos, pulsos, pés e tornozelos) tem de ser de pelo menos 38,5 cm para uma antena AP-ANT-7 e de 20 cm para as seguintes antenas: AP-ANT-1, AP-ANT-2, AP-ANT-3, AP-ANT-4, AP-ANT-5, AP-ANT-6, AP-ANT-8, AP-ANT-9, AP-ANT-10, AP-ANT-11, AP-ANT-12, AP-ANT-80, AP-ANT-81, AP-ANT-82, AP-ANT-83, AP-ANT-84, AP-ANT-85, AP-ANT-86, AP-ANT-87, AP-ANT-88 e AP-ANT-89.

O transmissor não deve ser arrumado juntamente com outros transmissores ou antenas.

Europa

Comunidades Europeias



XXXX=0681 AP70, XXXX=1313 AP65, XXXX=0681 AP60/61, XXXX=0560 AP40/41, 80

Declaração de conformidade

Aruba Wireless Networks, Inc
1322 Crossman Avenue, Sunnyvale, CA 94089, EUA,
Declara que o Ponto de acesso sem fios Aruba (Aruba Wireless Access Point),
modelo: APXX
está em conformidade com as seguintes directivas europeias:

Directiva R&TTE 1995/5/CE
Directiva REEE 2002/96/CE
Directiva RoHS 2002/95/CE

Normas relevantes da Directiva R&TTE:

Artigo 3.2; EN 300 328v1.5.1 e EN 301 893 v1.2.3
Artigo 3.1b; EN 301 489-17 v1.2.1
Artigo 3.1a; EN 60950

Ano em que a marca foi introduzida pela primeira vez: 2005

Eu, abaixo assinado, declaro que o equipamento especificado abaixo está em conformidade com as Directivas e Normas acima indicadas.

Michael Smith
2006-07-01
1322 Crossman Ave., Sunnyvale, CA 94089, EUA
Para informações mais detalhadas, visite: www.arubanetworks.com

Sede na Europa
77 Oxford Street
London, W1D 2ES
Reino Unido
Telefone: +44 20 7659 2024
Fax: +44 20 7043 5871
Contacto: Albert Benhamou
info-emea@arubanetworks.com

Restrições na Comunidade Europeia

Alguns países da Europa podem restringir a utilização deste dispositivo e podem sujeitá-lo a limites específicos de potência de saída, restrições de instalação ou restrições de banda de frequências.

Aviso de segurança com explosivos

Aviso! Não faça funcionar o ponto de acesso perto de dispositivos explosivos, de detonadores não protegidos ou em qualquer outro ambiente explosivo, a menos que o dispositivo tenha sido aprovado para tal utilização por pessoal devidamente qualificado.

Aviso! Não desligue a alimentação nem qualquer outro cabo num ambiente explosivo, até que pessoal devidamente qualificado, experiente em manuseamento em ambientes explosivos, afirme ser seguro actuar dessa forma.

Aviso! Não toque nem desloque o ponto de acesso quando as antenas estiverem a transmitir ou a receber dados.

Aviso em caso de trovoadas

Aviso! Não ligue nem desligue cabos, nem trabalhe com o hardware do ponto de acesso durante a ocorrência de trovoadas.

Evite utilizar este produto durante uma tempestade electromagnética. Pode haver um risco remoto de choque eléctrico causado pelos raios.

Instruções importantes de segurança

Ao utilizar este dispositivo, deve seguir sempre as precauções básicas de segurança para reduzir o risco de incêndio, choque eléctrico e ferimentos a pessoas, incluindo o caso seguinte: Não utilize este produto perto de zonas com água como, por exemplo, perto de uma banheira, de um lavatório, de um lava-louças ou de um tanque de lavar roupa, numa cave húmida ou perto de uma piscina.

Instalação

Aviso sobre pessoal qualificado do serviço de assistência

Aviso! A instalação só deve ser executada por pessoal qualificado do serviço de assistência. Leia e siga todos os avisos e instruções inscritos no produto ou incluídos na respectiva documentação. Antes de instalar o produto, leia este documento até ao fim e siga as instruções específicas do produto.

Quando instalar, a colocação do dispositivo também tem que satisfazer os seguintes requisitos de instalação:

Se não estiver a trabalhar com POE (Power over Ethernet), ligue o transformador da unidade a uma tomada de parede CA (100-240 VCA), utilizando apenas o cabo de alimentação/transformador standard fornecido com o produto.

A colocação tem de permitir que o cabo/transformador do dispositivo seja facilmente desligado da tomada de CA.

Não cubra o dispositivo nem bloqueie com outros objectos o escoamento de ar para o dispositivo.

Mantenha o dispositivo afastado de calor e humidade excessivos e livre de vibrações e poeiras.

A instalação tem de estar sempre em conformidade com os regulamentos locais.

Para ligar o dispositivo a um sistema de antena exterior, consulte a documentação fornecida com o kit de antena exterior para obter mais informações sobre os regulamentos, instruções de segurança e requisitos de instalação.

As ligações ao ponto de acesso sem fios (WAP) podem ser efectuadas através de um cabo de par entrançado não blindado (UTP, Unshielded Twisted Pair) ou de um cabo de par entrançado blindado (STP, Shielded Twisted Pair). Ao utilizar o dispositivo em conjunto com POE (Power over Ethernet), utilize apenas cabos de par entrançado blindado.

Se os cabos estiver instalados em plenos (condutas e espaços para sistema de ar), utilize apenas cabos específicos para plenos.

Aviso sobre descarga electrostática

Aviso! Utilize uma pulseira anti-estática ou tome as medidas apropriadas para prevenir uma descarga electrostática quando utilizar este equipamento.

Aviso sobre perigos da corrente eléctrica

Aviso! Nunca instale ou construa uma antena, um poste ou uma torre de rádio perto de linhas aéreas de transporte de corrente eléctrica.

Aviso! O módulo injector de potência POE é única e exclusivamente concebido para utilização interior.

ROHS/REEE



Este produto, no final da sua vida útil, é sujeito a recolha separada e a tratamento nos estados membros da UE, na Noruega e na Suíça e por conseguinte está marcado com o símbolo acima indicado. O tratamento aplicado no final da vida útil destes produtos deve estar em conformidade com as leis aplicáveis nacionais, cumprindo a Directiva 2002/96CE referente a Resíduos de Equipamentos Eléctricos e Electrónicos (REEE).

A directiva REEE 2002/96/CE e a Directiva RoHS (Restrição do Uso de Determinadas Substâncias Perigosas) 2002/95/CE estabelecem objectivos para a recolha, reciclagem e recuperação para várias categorias de produtos eléctricos e respectivos resíduos.

A Directiva de Restrições a Determinadas Substâncias Perigosas (RoHS) (2002/95/CE), que acompanha a directiva REEE, interdita a utilização de metais pesados e de retardadores de chama bromados no fabrico de equipamento eléctrico e electrónico. Mais concretamente, os materiais interditos ao abrigo da Directiva RoHS são o chumbo (incluindo a solda utilizada em PCBs), o cádmio, o mercúrio, o crómio hexavalente e o bromo.

A Aruba declara agir em conformidade com a Directiva REEE (2002/96/CE) da União Europeia (UE). Para mais informações sobre REEE, visite:

<http://www.dti.gov.uk/sustainability/weee/>

Pleno (Ductos e espaços do sistema de ar)

O ponto de acesso sem fios Aruba está em conformidade com a norma UL 2043 para produtos instalados em espaços de tratamento de ar ambiental de edifícios.

Suomi

USA, Kanada, muu maailma

Luvaton käyttö

Tämän laitteen asennuksessa ja käytössä on noudatettava tarkasti valmistajan ohjeita, jotka on mainittu tuotteen mukana toimitetuissa tai web-sivuilla olevissa käyttöohjeissa.

Joissakin tapauksissa ja ympäristöissä langattomien laitteiden käyttö voi olla rajoitettua tai kiellettyä. Tällaisia tilanteita voivat olla esimerkiksi langattomien laitteiden käyttö lentokoneissa tai muissa ympäristöissä, joissa niiden käytön katsotaan olevan haitallista muille laitteille tai palveluille.

Jos et ole varma langattomia laitteita koskevista säännöistä tai määräyksistä tietyissä organisaatioissa tai ympäristöissä (kuten lentokentillä), pyydämme sinua kysymään laitteen käyttö lupaa etukäteen.

Muutokset

Tähän laitteeseen tehdyt muutokset, joita valmistaja ei ole erityisesti hyväksynyt, voivat johtaa käyttöoikeuden mitätöitymiseen. Tällaiset muutokset, osien vaihdot tai lisäys voi olla sääntöjen vastaista ja käyttäjä on yksin vastuussa kyseisten, mahdollisesti lainvastaisten muutosten aiheuttamista häiriöistä radiolle tai televisiolle. Valmistaja ja sen valtuuttamat jälleenmyyjät tai jakelijat eivät ole vastuussa mistään vaurioista tai viranomaisten määräysten rikkomisista, jotka voivat aiheutua näiden ohjeiden laiminlyönnistä.

Yleistietoa käyttäjälle

Langattomien tukiasemien (Wireless Access Point) tuotteet perustuvat langattomien lähiverkkojen IEEE 802.11 -standardeihin, kuten Institute of Electrical and Electronics Engineers on määrittänyt. IEEE 802.11a- ja IEEE 802.11g -standardien mukaisesti valmistetut tuotteet käyttävät OFDM-radioteknologiaa (Orthogonal Frequency Division Multiplexing). IEEE 802.11b -standardin mukaisesti valmistetut tuotteet käyttävät DSSS-radioteknologiaa (Direct Sequence Spread Spectrum). Nämä tuotteet on tarkoitettu toimimaan yhdessä muiden langattomien tuotteiden kanssa niitä vastaavien standardien mukaisesti.

Langaton LAN ja terveys

Langattomat LAN-tuotteet, kuten radiolaitteet, tuottavat radiotaajuuksista sähkömagneettista energiaa. Tuotetun energian määrä on kuitenkin pienempi kuin muiden langattomien laitteiden tuottama energia (esim. matkapuhelimet). Koska langattomat LAN-tuotteet toimivat radiotaajuudelle asetettujen turvastandardien ja suositusten rajoissa, uskomme langattomien LAN-tuotteidemme olevan turvallisia käyttäjille. Nämä standardit ja suositukset ovat

sekä viranomaisten että tieteellisen yhteisön hyväksymiä ja vaikuttavat tieteellisten paneelien ja komiteoiden päätöksiin heidän tarkastaessaan ja tulkitessaan tutkimusmateriaaleja.

Varoitus: Altistus radiotaajuussäteilylle

FCC:n, Industry Canadian, EU:n ja muiden säännöksistä vastaavien viranomaisten radiotaajuuksille altistumista koskevien määräysten noudattamiseksi antennin asennuksessa ja laitteen käyttökokoonpanossa on noudatettava seuraavia seikkoja:

Langattomissa tukipisteissä, joissa käytetään hyväksyttyä ulkoista antennia, antennin ja käyttäjän kehon (mukaan lukien kädet, ranteet, jalat ja nilkat) on jätettävä vähintään 38,5 cm antennille AP-ANT-7 ja 20 cm seuraaville antennille:

AP-ANT-1, AP-ANT-2, AP-ANT-3, AP-ANT-4, AP-ANT-5, AP-ANT-6, AP-ANT-8, AP-ANT-9, AP-ANT-10, AP-ANT-11, AP-ANT-12, AP-ANT-80, AP-ANT-81, AP-ANT-82, AP-ANT-83, AP-ANT-84, AP-ANT-85, AP-ANT-86, AP-ANT-87, AP-ANT-88 ja AP-ANT-89.

Lähetintä ei saa käyttää muiden lähettimien tai antennien kanssa.

Eurooppa

Euroopan maat



XXXX=0681 AP70, XXXX=1313 AP65, XXXX=0681 AP60/61, XXXX=0560 AP40/41, 80

Vaatimustenmukaisuusilmoitus

*Aruba Wireless Networks, Inc
1322 Crossman Avenue, Sunnyvale, CA 94089, USA,
vakuuttaa, että Aruba Wireless Access Point (langaton tukipiste), malli: APXX
vastaa seuraavia EU-direktiivejä:*

R&TTE-direktiivi 1995/5/EC

WEEE-direktiivi 2002/96/EC
RoHS-direktiivi 2002/95/EC

R&TTE-direktiiviä koskevat standardit:

artikla 3.2; EN 300 328v1.5.1 ja EN 301 893 v1.2.3
artikla 3.1b; EN 301 489-17 v1.2.1
artikla 3.1a; EN 60950

Merkin ensimmäinen käyttövuosi: 2005

Allekirjoittanut vakuuttaa täten, että määritetty laite noudattaa yllä mainittuja direktiivejä ja standardeja.

Michael Smith
2006-07-01
Manager, Compliance Engineering
1322 Crossman Ave., Sunnyvale, CA 94089, USA
Lisätietoja on sivulla: www.arubanetworks.com

Euroopan pääkonttori
77 Oxford Street
London, W1D 2ES
Iso-Britannia
Puhelinnumero: +44 20 7659 2024
Faksi: +44 20 7043 5871
Yhteyshenkilö: Albert Benhamou
info-emea@arubanetworks.com

EY-rajoitukset

Jotkin Euroopan maat voivat rajoittaa tämän laitteen käyttöä ja niissä voi olla tuottotehorajoituksia, asennusrajoituksia tai taajuusrajoituksia.

Räjähdysturvallisuutta koskevia varoituksia

Varoitus! Tukipistettä ei saa käyttää räjähdyslaitteiden tai suojaamattomien ohjauskoteloiden läheisyydessä tai muuten räjähtävissä ympäristöissä, ellei laitetta ole hyväksytty käytettäväksi tällaisissa käyttökohteissa pätevä henkilökunnan toimesta.

Varoitus! Virtaa tai muita kaapeleita ei saa katkaista räjähdysvaarallisissa ympäristöissä, ennen kuin pätevä henkilöstö, joka on saanut räjähtäviä ympäristöjä koskevan erityiskoulutuksen, on määrittänyt sen olevan turvallista.

Varoitus! Tukipistettä ei saa koskettaa tai siirtää, kun antennit lähettävät tai vastaanottavat.

Salamointia koskeva varoitus

Varoitus! Kaapeleita ei saa kytkeä tai irrottaa, eikä tukipisteen laitteiston parissa saa työskennellä salamoinnin aikaan.

Tuotteen käyttöä tulisi välttää ukkosmyrskyn aikana. Salamointi voi aiheuttaa sähköiskun vaaran.

Tärkeitä turvallisuusohjeita

Tätä laitetta käytettäessä on noudatettava kaikkia yleisiä turvatoimia tulipalon, sähköiskun ja henkilövaurioiden välttämiseksi, mukaan lukien seuraavat toimet: Laitetta ei saa käyttää veden äärellä, esim. kylpyammeen, lavuaarin tai keittiön ja kodinhoitohuoneen pesualtaan lähellä, kosteassa kellarissa tai uima-altaan äärellä.

Asennus

Varoitus pätevälle huoltohenkilökunnalle

Varoitus! Laitteen saa asentaa ainoastaan pätevä huoltohenkilö. Noudata kaikkia tuotteeseen merkittyjä tai ohjeissa mainittuja varoituksia ja ohjeita. Lue ennen tuotteen asentamista koko asiakirja ja noudata tuotekohtaisia ohjeita.

Asennettaessa laite on sijoitettava seuraavien määräysten mukaisesti:

Kytke laitteen verkkolaite POE:tä käytettäessä seinäpistorasiaan (100–240 V vaihtovirtaa) käyttäen ainoastaan tuotteen mukana toimitettua vakiovirtajohtoa/-muuntajaa.

Laite on sijoitettava siten, että virtajohto/-muuntaja voidaan kytkeä helposti irti seinäpistorasiasta.

Laitetta ei saa peittää, eikä ilmavirtausta laitteeseen saa estää muilla esineillä.

Laite on suojattava liialta kuumuudelta, kosteudelta, tärinältä ja pölyltä.

Asennuksen on oltava paikallisten määräysten mukainen.

Kun laite kytketään ulkona sijaitsevaan antenniin, katso antennin mukana toimitetuista ohjeista tietoa lisämääräyksistä, turvaohjeista ja asennusvaatimuksista.

Kytkenät langattomaan tukiasemaan voidaan tehdä suojaamattomilla parikaapeleilla (UTP) tai suojatuilla parikaapeleilla (STP). Kun laitetta käytetään POE-laitteena, on käytettävä vain suojattuja parikaapeleita.

Kun kaapeli asennetaan ilmanvaihtokanaviin, on käytettävä vain tähän käyttöön hyväksytyjä kaapeleita (plenum rated).

Staattinen sähkön varoitus

Varoitus! Käytä antistaattista ranneketta tai noudata muita tarvittavia toimia sähköstaattisen purkauksen estämiseksi laitetta käsiteltäessä.

Virtavaroitus

Varoitus! Tuotetta ei saa koskaan asentaa tai rakentaa radiomastoon, pylväaseen tai torniin, jonka lähellä kulkee sähkölinja.

Varoitus! POE-virtainjektioduuli on suunniteltu vain ulkoäyttöön.



ROHS/WEEE

Tähän tuotteeseen kohdistuu sen käyttöään päättyessä erilliset keräys- ja käsittelyvaatimukset, EU:n jäsenmaissa, Norjassa ja Sveitsissä, minkä vuoksi siihen on merkitty yllä oleva merkintä. Näiden tuotteiden käsittelyn käyttöään päätteeksi kyseisissä maissa on noudatettava paikallisia lakeja, joissa hyödynnetään direktiiviä 2002/96/ETY, joka koskee käsittelee sähkö- ja elektronisten laitteiden hävittämistä (WEEE).

WEEE-direktiivi 2002/96/ETY ja RoHS-direktiivi (Restriction of Hazardous Substances) 2002/95/ETY määrittävät eri sähkölaiteluokkien ja niiden jätteiden keräystä, kierrätystä ja käyttöön palauttamista.

RoHS-direktiivi (2002/95/ETY), yhdessä WEEE-direktiivin kanssa, kieltää raskasmetallien ja bromia sisältävien palonestoaineiden käytön sähkö- ja elektroniikkalaitteiden valmistuksessa. RoHS-direktiivissä erityisesti kiellettyjä aineita ovat lyijy (mukaan lukien PCB:issä käytettyjen hitsit), kadmium, elohopea, kuudenarvoinen kromi ja bromi.

Aruba vakuuttaa laitteen olevan Euroopan Unionin (EU) WEEE-direktiivin (2002/96/ETY) mukainen. Katso lisätietoja sivulta

<http://www.dti.gov.uk/sustainability/weee/>

Ilmanvaihto

Aruban langaton tukipiste noudattaa UL 2043 -määräyksiä laitteille, jotka asennetaan rakennuksen ilmanvaihtotiloihin.

Svenska

USA, Kanada, Globalt

Icke auktoriserad användning

Denna enhet måste installeras och användas helt i enlighet med tillverkarens anvisningar. Dessa beskrivs i den användardokumentation som tillhandahålls med produkten eller via länken till webbplatsen.

Användningen av trådlösa enheter kan i vissa situationer eller miljöer begränsas eller helt förbjudas. Sådana situationer kan t.ex. innefatta användningen av trådlös utrustning ombord på flygplan eller i andra miljöer, där det finns risk för störningar från andra enheter eller tjänster, vilka uppfattas eller har identifierats som skadliga.

Om du är osäker på vilken policy eller vilka förordningar, som gäller för bruk av trådlös utrustning i en viss organisation eller miljö (t.ex. flygplatser), råder vi dig att begära tillstånd att använda utrustningen innan du använder den.

Modificeringar

Alla ändringar och modifieringar av denna enhet som inte uttryckligen har godkänts av tillverkaren kan upphäva användarens rätt att använda utrustningen. Sådana modifieringar, ersättningar eller extra anordningar kan strida mot förordningar och användaren ansvarar helt för störningar i radio- och tv-mottagning som orsakas av sådana, icke auktoriserade gärningar, som även kan utgöra lagöverträdelse. Tillverkaren och dess auktoriserade återförsäljare eller distributörer kan ej hållas skadeståndsskyldiga för några skador eller överträdelser av statliga förordningar som kan ha uppstått från underlåtenhet att följa dessa riktlinjer.

Allmän information till användaren

Produkter för trådlösa åtkomstpunkter är baserade på normerna IEEE 802.11 för trådlösa LAN (lokala nätverk) enligt definitioner och godkännande av Institute of Electrical and Electronics Engineers. Produkter som är designade enligt normerna IEEE 802.11a och IEEE 802.11g använder radiotekniken Orthogonal Frequency Division Multiplexing (OFDM). Produkter som är designade enligt normen IEEE 802.11b använder radiotekniken Direct Sequence Spread Spectrum (DSSS). Dessa produkter är designade för att kunna användas tillsammans med andra trådlösa produkter som uppfyller motsvarande normer.

Trådlöst LAN och din hälsa

Trådlösa LAN-produkter, tillika med andra radioenheter, utstrålar radiofrekvent, elektromagnetisk energi. Den utstrålade energins nivå är dock lägre än den elektromagnetiska energi som utstrålas av andra trådlösa enheter, t.ex. mobiltelefoner. Eftersom trådlösa LAN-produkter fungerar inom de riktlinjer, som

finns i säkerhetsnormerna och rekommendationerna för radiofrekvens, är vi övertygade om att våra trådlösa LAN-produkter är säkra att använda av konsumenter. Dessa normer och rekommendationer återspeglar stöd från både myndigheter och vetenskapliga organ samt resultat från rådgivande expertgrupper och kommittéer bestående av vetenskapsmän som kontinuerligt granskar och tolkar omfattande forskningslitteratur.

Viktigt: Exponering för radiofrekvent strålning

Enligt kraven för exponering för radiofrekvent strålning från FCC, Industry Canada, EG och andra globala, reglerande organ måste följande antenninstallation och konfiguration av enhetens användning uppfyllas:

När det gäller trådlösa åtkomstpunkter med användning av en godkänd, extern antenn måste avståndet mellan antennen och alla kroppsdelar på alla personer (inklusive händer, handleder, fötter och fotleder) vara minst 38,5 cm för antenn AP-ANT-7 och 20 cm för följande antenner:

AP-ANT-1, AP-ANT-2, AP-ANT-3, AP-ANT-4, AP-ANT-5, AP-ANT-6, AP-ANT-8, AP-ANT-9, AP-ANT-10, AP-ANT-11, AP-ANT-12, AP-ANT-80, AP-ANT-81, AP-ANT-82, AP-ANT-83, AP-ANT-84, AP-ANT-85, AP-ANT-86, AP-ANT-87, AP-ANT-88 och AP-ANT-89.

Sändaren får ej placeras bredvid några andra sändare eller antenner.

Europa

Länder i Europa



XXXX=0681 AP70, XXXX=1313 AP65, XXXX=0681 AP60/61, XXXX=0560 AP40/41, 80

Konformitetsdeklaration

Aruba Wireless Networks, Inc

1322 Crossman Avenue, Sunnyvale, CA 94089, USA,

förklarar härmed att Aruba Trådlös åtkomstpunkt, modell: APXX

uppfyller följande europeiska direktiv:

*R&TTE Direktiv 1995/5/EG
WEEE Direktiv 2002/96/EG
RoHS Direktiv 2002/95/EG*

R&TTE Direktiv för relevanta normer:

*Artikel 3.2; EN 300 328v1.5.1 och EN 301 893 v1.2.3
Artikel 3.1b; EN 301 489-17 v1.2.1
Artikel 3.1a; EN 60950*

Första årsmärke: 2005

Jag intygar genom min underskrift att den ovan angivna utrustningen uppfyller ovanstående direktiv och normer.

*Michael Smith
2006-07-01
1322 Crossman Avenue, Sunnyvale, CA 94089, USA
Utförliga uppgifter finns på: www.arubanetworks.com*

*Europeiskt huvudkontor
77 Oxford Street
London, W1D 2ES
Storbritannien
Telefon: +44 20 7659 2024
Fax: +44 20 7043 5871
Kontakta: Albert Benhamou
info-emea@arubanetworks.com*

Europeiska restriktioner

Vissa europeiska länder kan begränsa användningen av denna enhet och den kan vara underställd vissa begränsningar avseende utgående ström, installation och frekvensband.

Säkerhetsvarning avseende explosion

Varning! Använd inte åtkomstpunkten i närheten av explosiva enheter, oskyddade sprängkapslar eller i andra explosiva miljöer, såvida inte enheten har godkänts för sådan användning av behörig personal.

Varning! Koppla ej från strömkablar eller andra kablar i en explosiv miljö utan att behörig personal, med specifik utbildning i hantering i explosiva miljöer, har fastställt att detta är ett säkert förfarande.

Varning! Vidrör inte och flytta inte heller åtkomstpunkten medan antennerna sänder eller tar emot.

Varning avseende åskväder

Varning! Anslut inte och koppla inte heller från kablar eller arbeta med åtkomstpunktens maskinvara under åskväder.

Undvik att använda denna produkt under åskväder. Risk för elektriska stötar från blixtnedslag kan förekomma.

Viktiga säkerhetsanvisningar

Grundläggande säkerhetsprocedurer skall alltid följas vid användning av denna enhet för att minska risk för brand, elektriska stötar och personsador, inklusive följande: Använd inte denna produkt i närheten av vatten, t.ex. i närheten av badkar, handfat, diskho eller tvättho, i våta källare eller i närheten av simbassänger.

Installation

Varning avseende behörig servicepersonal

Varning! Installationen får endast utföras av behörig servicepersonal. Läs och följ alla varningar och anvisningar som är anslagna på produkten eller som ingår i dokumentationen. Läs hela detta dokument och följ de specifika produktanvisningarna innan du installerar produkten.

Tillse att enhetens placering uppfyller följande installationskrav under installationen:

Om enheten inte drivs via Ethernet (PoE) skall du ansluta enhetens växelströmsadapter till ett växelströmsuttag (100-240 volt växelström) endast med den standardströmsladd/adapter som levereras med produkten.

Enheten måste placeras så att enhetens strömsladd/adapter är lättåtkomlig för bortkoppling från vägguttaget.

Täck inte över enheten och blockera inte heller luftflödet till enheten med andra objekt.

Håll enheten borta från stark värme och hög luftfuktighet och se till att hålla enheten fri från vibrationer och damm.

Installationen måste alltid uppfylla lokala föreskrifter.

När enheten skall anslutas till en utomhusantenn, skall du läsa den dokumentation som medföljer utomhusantennsatsen för att få ytterligare information om föreskrifter, säkerhetsanvisningar och installationskrav.

Anslutningar till en trådlös åtkomstpunkt kan göras med en icke avskärmd, partvinnad kabel (s.k. UTP, Unshielded Twisted Pair) eller en avskärmd partvinnad kabel (s.k. STP, Shielded Twisted Pair). När enheten används tillsammans med strömtillförsel via Ethernet skall endast en avskärmd, partvinnad kabel användas.

När kablar installeras i rum med övertryck får endast kablar som är godkända för övertryck användas.

Varning för elektrostatisk urladdning

Varning! Bär ett antistatiskt armband eller vidta lämpliga åtgärder för att förhindra elektrostatisk urladdning vid hantering av denna utrustning.

Varning avseende kraftledning

Varning! Installera aldrig och uppför inte heller en radiomast, stolpe eller torn i närheten av luftkraftledningar.

Varning! Strömmodulen för Ethernet är endast avsedd för inomhusbruk.



ROHS/WEEE

När produktens användningstid är slut, måste den lämnas in och hanteras separat inom alla medlemsstater i EG, Norge och Schweiz, vilket märkningen med ovanstående symbol indikerar. I dessa länder skall hanteringen vid slutet av produkternas användningstid uppfylla tillämpliga nationella lagar med implementering av Direktiv 2002/96/EG avseende avfall från elektrisk och elektronisk utrustning (WEEE, Waste of Electrical and Electronic Equipment).

WEEE Direktiv 2002/96/EG och Begränsning av farliga ämnen (RoHS, Restriction of Hazardous Substances) Direktiv 2002/95/EG anger mål för insamling, återanvändning och återvinning för olika kategorier av elektriska produkter samt avfall från dem.

RoHS (Restriction on Hazardous Substances Directive) (2002/95/EG), som är bifogat WEEE Direktiv, förbjuder användningen av tungmetaller och brominerade flammhämmande medel i tillverkningen av elektrisk och elektronisk utrustning. Specifikt begränsade material under RoHS Direktiv är bly (inklusive lödmetall som används i polyklorerad bifenyler), kadmium, kvicksilver, hexavalent krom och brom.

Aruba betygar efterlevnad av EG:s WEEE Direktiv (2002/96/EG). Ytterligare information om WEEE finns på:

<http://www.dti.gov.uk/sustainability/weee/>

Övertryck

Arubas trådlösa åtkomstpunkt uppfyller UL 2043 för produkter installerade i utrymmen för miljöluftshantering i byggnader.

Slovenčina

USA, Kanada, svet

Neoprávnené používanie

Toto zariadenie musí byť nainštalované a používané iba v súlade s inštrukciami výrobcu, ako je to popísané v užívateľskej dokumentácii, ktorá je priložená k výrobku alebo na webovom odkaze.

V niektorých situáciách alebo prostrediach môže byť používanie bezdrôtových zariadení obmedzené alebo zakázané. Tieto situácie môžu napríklad zahŕňať použitie bezdrôtových zariadení na palube lietadla alebo v akomkoľvek inom prostredí, kde je riziko rušenia iných zariadení alebo služieb považované za škodlivé.

Ak si nie ste istí postojom alebo pravidlami, ktoré sa vzťahujú na používanie bezdrôtových zariadení v určitej organizácii alebo prostredí (napr. na letiskách), odporúčame vám požiadať o dovoľenie používať toto zariadenie predtým, než budete vybavenie používať.

Modifikácie

Akékoľvek zmeny alebo modifikácie tohto zariadenia, ktoré nie sú výslovne schválené výrobcom môžu mať za následok stratu práv užívateľa používať toto zariadenie. Takéto modifikácie, zámenny častí zariadenia, alebo prídavky k zariadeniu môžu byť proti predpisom a interferencia s rádiom alebo s televízorom spôsobená takýmto neschváleným zásahom bude na úplnú zodpovednosť používateľa a môže byť porušením zákona. Výrobca a jeho autorizovaní predajcovia neručia za akúkoľvek škodu alebo porušenie nariadení vlády, ktoré môže vzniknúť nedodržaním týchto inštrukcií.

Všeobecná informácia pre užívateľa

Výrobky typu bezdrôtový prístupový bod vychádzajú z noriem IEEE 802.11, pre bezdrôtové siete LAN, schválených inštitútom inžinierov elektrotechniky a elektroniky (Institute of Electrical and Electronics Engineers). Výrobky, navrhnuté podľa noriem IEEE 802.11a a IEEE 802.11g štandardne využívajú vysielaciu technológiu ortogonálneho frekvenčne deleného multiplexu (Orthogonal Frequency Division Multiplexing (OFDM)). Výrobky navrhnuté podľa normy IEEE 802.11b používajú vysielaciu technológiu priamej sekvencie v rozprestrenom spektre (Direct Sequence Spread Spectrum). Tieto výrobky sú navrhnuté tak, aby mohli spolupracovať s inými bezdrôtovými výrobkami, ktoré spĺňajú príslušné normy.

Bezdrôtová sieť LAN a vaše zdravie

Výrobky bezdrôtových sietí LAN vyžarujú, rovnako ako iné vysielacie zariadenia, elektromagnetickú energiu na vysielacej frekvencii. Avšak úroveň vyžiarenej

energie je menšia, ako elektromagnetická energia vyžiarená inými bezdrôtovými zariadeniami, ako sú napríklad mobilné telefóny. Pretože výrobky pre bezdrôtové siete LAN fungujú v rámci smerníc, ktoré sa nachádzajú v bezpečnostných normách a odporúčaní pre vysielacie frekvencie, myslíme si, že naše výrobky pre bezdrôtové siete LAN sú pre používanie zákazníkmi bezpečné. Tieto normy a odporúčania odrážajú konsenzus úradných aj vedeckých komunit a sú založené na rozhodnutiach rokovacích tímov a výborov vedcov, ktorí sústavne skúmajú a vykladajú rozsiahlu literatúru s výskumom.

Varovanie : Vystavovanie sa vyžarovaniu vysielacích frekvencií

Aby boli naplnené požiadavky Federálneho úradu pre komunikácie (FCC), Industry Canada, EÚ a iných svetových regulačných úradov pre vystavenie sa vysielacím frekvenciám, musíte anténu inštalovať nasledovným spôsobom a naplniť nasledovnú prevádzkovú konfiguráciu:

Pre bezdrôtové prístupové body, ktoré používajú schválenú externú anténu, musí byť vzdialenosť medzi anténou a telom akejkoľvek osoby (vrátane rúk, zápästí, nôh a členkov) najmenej 38,5 cm (16") pre anténu AP-ANT-7 a 20 cm (8") pre nasledovné antény :

AP-ANT-1, AP-ANT-2, AP-ANT-3, AP-ANT-4, AP-ANT-5, AP-ANT-6, AP-ANT-8, AP-ANT-9, AP-ANT-10, AP-ANT-11, AP-ANT-12, AP-ANT-80, AP-ANT-81, AP-ANT-82, AP-ANT-83, AP-ANT-84, AP-ANT-85, AP-ANT-86, AP-ANT-87, AP-ANT-88, and AP-ANT-89.

Vysielač nesmie byť umiestnený spolu s inými vysielačmi alebo anténami.

Európa

Európske spoločenstvá



XXXX=0681 AP70, XXXX=1313 AP65, XXXX=0681 AP60/61, XXXX=0560 AP40/41, 80

Vyhlásenie o zhode

Aruba Wireless Networks, Inc
1322 Crossman Avenue, Sunnyvale, CA 94089, USA,
Vyhlasuje, že Aruba Wireless Access Point, Model : APXX
je v zhode s nasledovnými európskymi direktívami :

Smernica R&TTE 1995/5/EC
Smernica WEEE 2002/96/EC
Smernica RoHS 2002/95/EC

Normy, príslušné k smernici R&TTE:

Článok 3.2; EN 300 328v1.5.1 a EN 301 893 v1.2.3
Článok 3.1b; EN 301 489-17 v1.2.1
Článok 3.1a; EN 60950

Rok, kedy bolo označenie po prvý krát použité: 2005

Ja, dolupodpísaný, týmto vyhlasujem, že zariadenie špecifikované vyššie je v zhode s vyššie uvedenými smernicami a normami.

Michael Smith
2006-07-01
1322 Crossman Avenue, Sunnyvale, CA 94089, USA,
Ak chcete získať podrobnejšie informácie, navštívte : www.arubanetworks.com

Európske ústredie
77 Oxford Street
London, W1D 2ES
Veľká Británia
Telefón : +44 20 7659 2024
Fax : +44 20 7043 5871
Kontakt : Albert Benhamou
info-emea@arubanetworks.com

Obmedzenia vo vnútri Európskeho spoločenstva

Niektoré Európske krajiny môžu obmedzovať prevádzku tohto zariadenia a môže spadať pod konkrétne obmedzenia výstupného výkonu, obmedzenie pri inštalácii alebo obmedzenie frekvenčného pásma.

Bezpečnostné varovanie, týkajúce sa výbušnín

Varovanie ! Nepoužívajte prístupový bod v blízkosti výbušných zariadení, netienených rozbušiek, alebo v inak výbušnom prostredí, ak zariadenie nebolo schválené pre takéto použitie kvalifikovanou osobou.

Varovanie ! Neodpájajte napájanie, ani inú kabeláž vo výbušnom prostredí, pokiaľ kvalifikovaná osoba, vyškolená zvlášť pre riadenie výbušného prostredia neurčila, že je to bezpečné.

Varovanie ! Nedotýkajte sa, ani nehýbte s prístupovým bodom, keď antény vysielajú alebo prijímajú.

Varovanie, týkajúce sa bleskov

Varovanie ! Nepripájajte, ani neodpájajte káble, ani nepracujte inak s hardware prístupového bodu, počas období aktivity bleskov.

Vyhňte sa používaniu tohto výrobku počas búrky. Vystavujete sa riziku vzdialeného elektrického šoku z blesku.

Dôležité bezpečnostné inštrukcie

Pri použití tohto zariadenia by ste mali vždy dodržiavať základné bezpečnostné opatrenia, vrátane nasledovných aby ste zamedzili ohňu, elektrickému šoku a zraneniam osôb : Nepoužívajte tento výrobok v blízkosti vody, napríklad v blízkosti vane, umývadla, kuchynského dresu alebo nádoby na pranie, vo vlhkých pivniciach alebo v blízkosti bazéna.

Inštalácia

Varovanie pre osoby kvalifikované pre servis

Varovanie ! Inštaláciu musí previesť iba osoba kvalifikovaná pre servis. Prečítajte si a riadte sa všetkými varovnými upozorneniami a inštrukciami vyznačenými na produkte, alebo zahrnutými v dokumentácii. Pred inštaláciou produktu si najprv prečítajte zvyšok tohto dokumentu a riadte sa konkrétnymi inštrukciami pre produkt.

Pri inštalácii musí umiestnenie tohto zariadenia takisto vyhovovať nasledovným požiadavkám:

Ak nevyužívate napájanie typu POE (Power Over Ethernet – Napájanie cez Ethernet rozhranie), pripojte sieťový adaptér zariadenia do sieťovej zásuvky (100-240V) a použite pri tom výhradne štandardnú napájaciu šnúru/adaptér, dodávaný spolu s produktom.

Umiestnenie musí dovoliť jednoduché odpojenie sieťovej šnúry/adaptéra zariadenia od sieťovej zásuvky na stene.

Zariadenie nezakrývajte, ani neblokujte tok vzduchu do zariadenia inými objektami.

Zariadenie chráňte pred prílišným teplom a vlhkom a pred vibráciami a prachom.

Inštalácia musí vždy vyhovovať miestnym predpisom.

Ak bude zariadenie pripojené na vonkajší anténny systém, vyhľadajte v dokumentácii, ktorá prišla s vonkajšou anténou ďalšie predpisy, bezpečnostné inštrukcie a požiadavky na inštaláciu.

Pripojenie na bezdrôtový prístupový bod môžete previesť netienenou (UTP), alebo tienenu skrútenou kabelážou (STP). Keď zariadenie používate v kombinácii s napájaním typu POE, používajte výhradne tienenu kabeláž (STP).

Ak je kabeláž nainštalovaná v priestoroch vzduchotechnických zariadení, používajte iba kabeláž dimenzovaný pre takéto podmienky.

Varovanie, týkajúce sa elektrostatického náboja

Varovanie ! Pri zaobchádzaní s týmto zariadením noste antistatický náramok alebo urobte iné vhodné opatrenia pre prevenciu pred elektrostatickým nábojom.

Varovanie pred úrazom elektrinou

Varovanie ! Nikdy neinštalujte ani nestavajte vysielač stožiar, tyč alebo vežu v blízkosti elektrického vedenia vedúceho nad ním.

Varovanie ! Modul injektora pre napájania cez Ethernet rozhranie je navrhnutý výhradne pre použitie vo vnútorných priestoroch.



ROHS/WEEE

Tento výrobok sa na konci svojej životnosti riadi pravidlami separovaného zberu a spracovania v členských štátoch EÚ, Nórsku a vo Švajčiarsku a preto je označený symbolom uvedeným vyššie. Spracovanie, používané na konci životnosti týchto produktov v týchto krajinách bude v súlade s platnými národnými zákonmi, ktoré obsahujú smernicu 2002/96EC o likvidácii elektrických a elektronických zariadení (WEEE – Waste of Electrical and Electronic Equipment).

Smernica WEEE 2002/96EC a smernica RoHS (Restriction of Hazardous Substances – Obmedzenie nebezpečných látok) určila ciele zberu, recyklácie a obnovenia pre rozličné kategórie elektrotechnických produktov a ich likvidácie.

Smernica RoHS (2002/95/EC), spolu so smernicou WEEE zakazuje používanie ťažkých kovov a látok spomaľujúcich horenie s obsahom brómu vo výrobe elektrického a elektronického vybavenia. Konkrétne, zakázané materiály pod smernicou RoHS sú olovo (vrátane pájky používanej pri výrobe plošných spojov), kadmium, ortuť, šesťvalenčný chróm a bróm.

Aruba vyhlasuje súlad so smernicou WEEE Európskej únie (2002/96/EC). Ak potrebujete viac informácií o WEEE, pozrite sa na:

<http://www.dti.gov.uk/sustainability/weee/>

Priestory vzduchotechnických zariadení

Bezdrôtový prístupový bod Aruba je v súlade s UL 2043 pre výrobky inštalované v budovách v priestoroch vzduchotechnických zariadení.

Slovenščina

ZDA, Kanada, svet

Nepooblaščen uporaba

To napravo namestite in uporabljajte v skladu z navodili proizvajalca v uporabniški dokumentaciji, ki je priložena izdelku ali na voljo na navedeni spletni strani.

V določenih primerih ali okoljih je lahko uporaba brezžičnih naprav omejena ali prepovedana. Med te primere lahko sodijo uporaba brezžične opreme v letalu ali drugem okolju, kjer so lahko morebitne motnje drugih naprav ali storitev škodljive.

Če niste prepričani glede pravil o uporabi brezžične opreme v določeni organizaciji ali okolju (na primer na letališčih), je priporočljivo, da pred vklopom naprave zaprosite za dovoljenje za njeno uporabo.

Spreminjanje naprave

Uporabnik lahko zaradi morebitnih prilagoditev ali spreminjanja naprave, ki ga ni odobril proizvajalec, izgubi pravico do uporabe te naprave. Takšne spremembe, zamenjave ali priključitve morda niso v skladu s predpisi, zato je za morebitne motnje radijskih ali televizijskih signalov zaradi nepooblaščenih posegov, ki so lahko v nasprotju z zakonodajo, odgovoren izključno uporabnik. Proizvajalec in njegovi pooblašteni prodajalci ali distributerji ne prevzemajo odgovornosti za morebitno poškodovanje ali kršitev predpisov zaradi neupoštevanja teh smernic.

Splošne uporabniške informacije

Izdelki z brezžičnimi dostopnimi točkami so izdelani v skladu s standardi IEEE 802.11 za brezžična lokalna omrežja, ki jih je določil in odobril Inštitut elektroinženirjev in inženirjev elektronike. Izdelki v skladu s standardoma IEEE 802.11a in IEEE 802.11g uporabljajo radijsko tehnologijo ortogonalnega frekvenčnega multipleksiranja (OFDM). Izdelki v skladu s standardom IEEE 802.11b uporabljajo radijsko tehnologijo dvosmernega zaporednega razširjanja spektra (DSSS). Ti izdelki so namenjeni uporabi z drugimi brezžičnimi izdelki, ki so skladni z ustreznimi standardi.

Brezžično lokalno omrežje in vaše zdravje

Izdelki za brezžično lokalno omrežje kot vse radijske naprave oddajajo radiofrekvenčno elektromagnetno energijo. Vendar pa je stopnja oddajane energije precej manjša od elektromagnetnega sevanja, ki ga oddajajo druge brezžične naprave, na primer mobilni telefoni. Ker izdelki za brezžično omrežje delujejo v okviru smernic, določenih z radiofrekvenčnimi varnostnimi standardi in priporočili, smo prepričani, da je uporaba naših izdelkov za brezžično omrežje popolnoma varna. Te standarde in priporočila sta odobrila vlada in strokovna

javnost, določeni pa so bili ob sodelovanju skupin in odborov znanstvenikov, ki nenehno spremljajo in podajajo obsežno raziskovalno gradivo.

Pozor: izpostavljenost radiofrekvenčnemu sevanju

Da bi bile izpolnjene zahteve FCC, kanadske gospodarske zbornice, upravnih organov EU in drugih svetovnih glede radiofrekvenčnega sevanja, morajo biti ob namestitvi antene in vzpostavitvi delovnega okolja naprave izpolnjeni naslednji pogoji:

Pri brezžičnih dostopnih točkah, ki uporabljajo odobreno zunanjo anteno, mora biti razdalja med anteno in osebami (vključno z rokami, zapestji, stopali in gležnji) vsaj 38,5 cm (16 palcev) za anteno AP-ANT-7 oziroma 20 cm (8 palcev) za naslednje antene:

AP-ANT-1, AP-ANT-2, AP-ANT-3, AP-ANT-4, AP-ANT-5, AP-ANT-6, AP-ANT-8, AP-ANT-9, AP-ANT-10, AP-ANT-11, AP-ANT-12, AP-ANT-80, AP-ANT-81, AP-ANT-82, AP-ANT-83, AP-ANT-84, AP-ANT-85, AP-ANT-86, AP-ANT-87, AP-ANT-88 in AP-ANT-89.

Oddajnik ne sme biti nameščen poleg drugega oddajnika ali antene.

Evropa

Evropske skupnosti



XXXX=0681 AP70, XXXX=1313 AP65, XXXX=0681 AP60/61, XXXX=0560 AP40/41, 80

Izjava o skladnosti

Aruba Wireless Networks, Inc
 1322 Crossman Avenue, Sunnyvale, CA 94089, ZDA
 izjavlja, da je brezžična dostopna točka Aruba, model: APXX,
 skladna z naslednjimi evropskimi direktivami:

Direktiva o radijski opremi in telekomunikacijski terminalski opremi 1995/5/ES
Direktiva o odpadni električni in elektronski opremi (WEEE) 2002/96/ES

Direktiva o omejevanju uporabe nekaterih nevarnih snovi v električni in elektronski opremi (ROHS) 2002/95/ES

Ustrezni standardi Direktive o radijski opremi in telekomunikacijski terminalski opremi:

Člen 3.2; EN 300 328v1.5.1 in EN 301 893 v1.2.3

Člen 3.1b; EN 301 489-17 v1.2.1

Člen 3.1a; EN 60950

Leto prve uporabe oznake: 2005

Spodaj podpisani izjavljam, da je zgoraj navedena oprema skladna z zgornjimi direktivami in standardi.

Michael Smith

2006-07-01

1322 Crossman Ave., Sunnyvale, CA 94089, ZDA

Za podrobne informacije obiščite: www.arubanetworks.com

Evropski sedež podjetja

77 Oxford Street

London, W1D 2ES

Velika Britanija

Telefon: +44 20 7659 2024

Faks: +44 20 7043 5871

Kontaktna oseba: Albert Benhamou

info-emea@arubanetworks.com

Omejitve ES

V nekaterih evropskih državah je lahko delovanje te naprave omejeno in podvrženo določenim omejitvam glede izhodne moči, namestitve ali frekvenčnega pasu.

Opozorilo zaradi nevarnosti eksplozije

Opozorilo! Dostopne točke ne uporabljajte v bližini eksplozivnih naprav, nezaščitenih vžigalnih kap ali v drugem eksplozivnem okolju, če takšne uporabe ni odobril usposobljen strokovnjak.

Opozorilo! Ne izklaplajte napajalnih ali drugih kablov v eksplozivnem okolju, dokler usposobljeni strokovnjak za uporabo naprav v eksplozivnih okoljih ne oceni, da je to varno.

Opozorilo! Dostopne točke se ne dotikajte in je ne premikajte, če antene oddajajo ali prejemajo signal.

Opozorilo zaradi nevarnosti udara strele

Opozorilo! Med bliskanjem ne vklapljajte ali izklaplajte kablov in ne uporabljajte dostopne točke.

Izdelka ne uporabljajte med nevihto. Obstaja nevarnost električnega udara zaradi strele.

Pomembna varnostna navodila

Pri uporabi naprave upoštevajte naslednja osnovna varnostna navodila za omejitev tveganja nastanka požara, poškodb zaradi elektrike in drugih poškodb: Tega izdelka ne uporabljajte v bližini vode, na primer v bližini kopalne kadi, pomivalnega korita, pralnega čebra, v vlažni kleti ali v bližini bazena.

Namestitiv

Opozorilo o usposobljenosti servisnega osebja

Opozorilo! Napravo lahko namesti le usposobljeno servisno osebje. Preberite in upoštevajte varnostna opozorila in navodila na izdelku ali v dokumentaciji. Pred namestitvijo izdelka preberite dokument v celoti in sledite navodilom za uporabo izdelka.

Ob namestitvi naprave morajo biti izpolnjene tudi naslednje zahteve:

Če naprave ne uporabljate z napajanjem prek ethernet (POE), vključite napajalni adapter v stensko vtičnico (100-240 VAC) samo s standardnim napajalnim kablom / adapterjem, ki je priložen izdelku.

Mesto namestitve mora omogočati enostaven izklop napajalnega kabla / adapterja naprave iz stenske vtičnice.

Ne pokrivajte naprave in rež za dovod zraka v napravo z drugimi predmeti.

Naprave ne izpostavljajte prekomerni vročini in vlagi, vibracijam in prahu.

Namestitev mora biti vedno v skladu z lokalnimi predpisi.

Če boste napravo povezali z zunanjim sistemom anten, preučite dodatne zakonske informacije, varnostna navodila in zahteve glede namestitve v dokumentaciji za zunanji sistem anten.

Dostopno točko lahko priključite s kablom UTP ali STP. Če uporabljate napravo v kombinaciji z napajanjem prek ethernet (POE), uporabite kabel STP.

Če so kabli nameščeni v okrovu več kablov, uporabljajte primerne kable.

Opozorilo glede elektrostatične razelektritve

Opozorilo! Nosite protistatični zapestni trak ali na drugačen način preprečite elektrostatično razelektritev pri uporabi te opreme.

Opozorilo o nevarnosti pri napajanju

Opozorilo! Radijskega stebra ali stolpa ne nameščajte ali postavljajte blizu nadzemnega električnega voda.

Opozorilo! Napajalni modul POE je namenjen samo notranji uporabi.



Direktivi ROHS/WEEE

Izdelek je po izteku življenjske dobe v državah članicah EU, Švici in na Norveškem potrebno zbirati ločeno, zato je označen z zgornjim simbolom. Obdelava izrabljenih izdelkov mora biti opravljena v skladu z ustreznimi državnimi zakoni ob upoštevanju Direktive 2002/96/ES o odpadni električni in elektronski opremi (WEEE).

Direktiva o odpadni električni in elektronski opremi 2002/96/ES in Direktiva o omejevanju uporabe nekaterih nevarnih snovi v električni in elektronski opremi 2002/95/ES določata smernice glede zbiranja, recikliranja in obnavljanja električnih izdelkov različnih kategorij in njihovih odpadnih materialov.

Direktiva o omejevanju uporabe nekaterih nevarnih snovi v električni in elektronski opremi 2002/95/ES, ki dopolnjuje Direktivo o odpadni električni in elektronski opremi, prepoveduje uporabo težkih kovin in požarne zaščite z vsebnostjo broma pri izdelavi električne in elektronske opreme. Prepoveduje predvsem uporabo naslednjih materialov: svinca (vključno s spajkami), kadmija, živega srebra, šestvalentnega kroma in broma.

Aruba zagotavlja skladnost z Direktivo o odpadni električni in elektronski opremi (WEEE) 2002/96/ES. Dodatne informacije o tej direktivi so navedene na spletni strani:

<http://www.dti.gov.uk/sustainability/weee/>

Plenum

Brezžična dostopna točka Aruba je skladna z zahtevami UL 2043 za izdelke, nameščene v prostorih za ravnanje z okoljskim zrakom.