

**FCC Part 15 C Notice**

**CAUTION:** Changes or modifications not expressly approved by the party responsible for compliance could void the user's authority to operate the equipment.

**NOTE:** This equipment has been tested and found to comply with the limits for a Class B digital device, pursuant to Part 15 of the FCC Rules. These limits are designed to provide reasonable protection against harmful interference in a residential installation. This equipment generates, uses and can radiate radio frequency energy and, if not installed and used in accordance with the instructions, may cause harmful interference to radio communications. However, there is no guarantee that interference will not occur in a particular installation. If this equipment does cause harmful interference to radio or television reception, which can be determined by turning the equipment off and on, the user is encouraged to try to correct the interference by one or more of the following measures:

- Reorient or relocate the receiving antenna.
- Increase the separation between the equipment and receiver.
- Connect the equipment into an outlet on a circuit different from that to which the receiver is connected.
- Consult the dealer or experienced radio/TV technician for help.

This device complies with Part 15 of the FCC Rules. Operation is subject to the following two conditions :

- (1) This device may not cause harmful interference, and
- (2) this device must accept any interference received, including interference that may cause undesired operation.

**INDUSTRY CANADA NOTICE: CANADA ONLY.**

This device complies with Industry Canada licence-exempt RSS standard(s). Operation is subject to the following two conditions: (1) this device may not cause interference, and (2) this device must accept any interference, including interference that may cause undesired operation of the device.

Le présent appareil est conforme aux CNR d'Industrie Canada applicables aux appareils radio exempts de licence. L'exploitation est autorisée aux deux conditions suivantes : (1) l'appareil ne doit pas produire de brouillage, et (2) l'utilisateur de l'appareil doit accepter tout brouillage radioélectrique subi, même si le brouillage est susceptible d'en compromettre le fonctionnement.

**CAN ICES-3 (B)/NMB-3(B)**

This product meets the applicable Innovation, Science and Economic Development Canada technical specifications.

Ce produit répond aux spécifications techniques pertinentes d'Innovation, Science et Développement économique applicables.

**IMPORTANT! REGISTER YOUR DRONE**

The U.S. Department of Transportation's Federal Aviation Administration (FAA) announced a streamlined and user-friendly web-based aircraft registration process for owners of small unmanned aircraft (UAS) weighing more than 0.55 pounds (250 grams) and less than 55 pounds (approx. 25 kilograms) including payloads such as on-board cameras.

Owners can get more info and may register through a web-based system at [www.faa.gov/uas/registration](http://www.faa.gov/uas/registration)



**WEEE Directive & Product Disposal**

At the end of its serviceable life, this product should not be treated as household or general waste. It should be handed over to the applicable collection point for the recycling of electrical and electronics equipment, or returned to the supplier for disposal.

**Internal/Supplied Batteries**

This symbol on the battery indicates that the battery is to be collected separately. This battery is designed for separate collection at an appropriate collection point.



Requires Speed Class 6 or higher microSD or microSDHC card (not included)  
microSDHC Logo is a trademark of SD-3C, LLC.

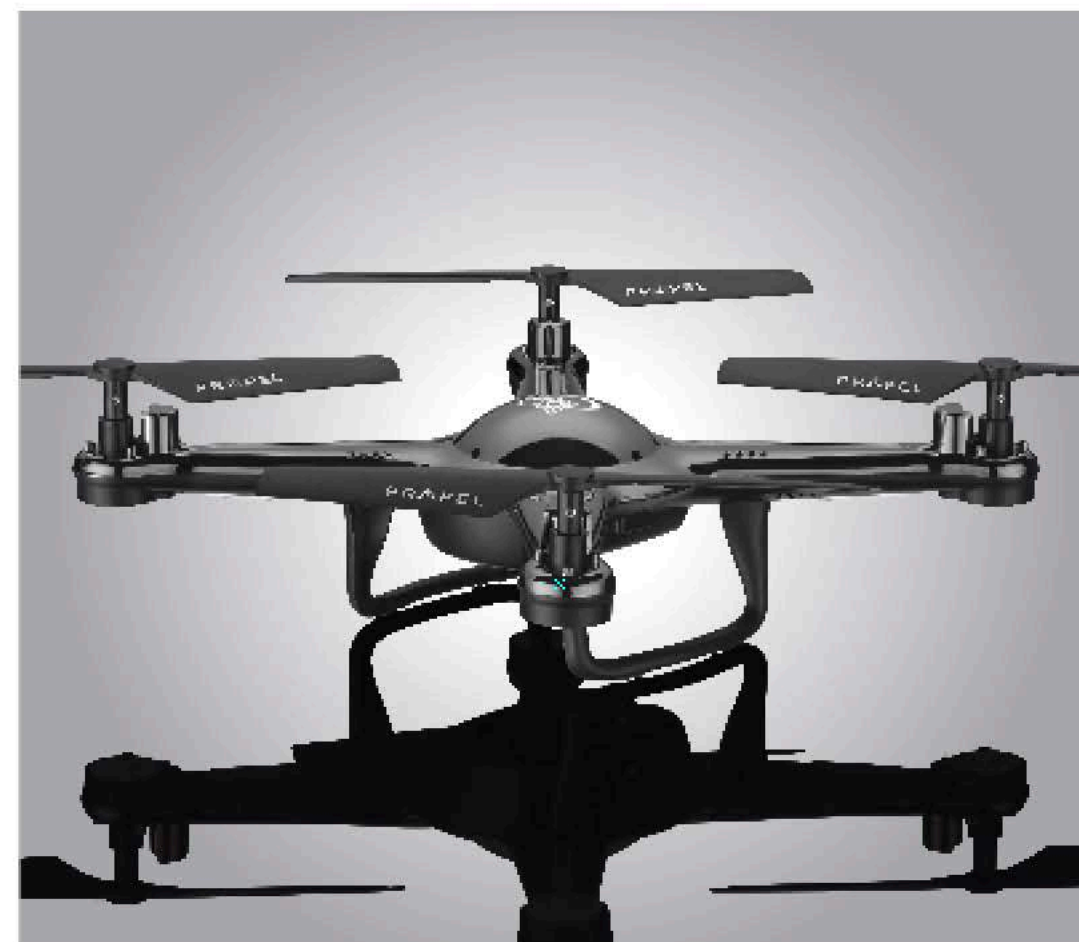
Conforms to safety requirements of FCC.

©2017 Rooftop Brands™ All rights reserved  
Tel: + (1) 949-566-9573 • [www.propelrc.com](http://www.propelrc.com)

Made in China  
V 1.0

**SKY RIDER™ + WiFi**

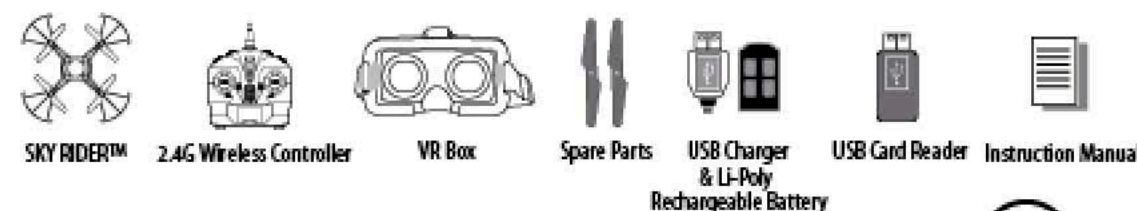
2.4GHz Quadcopter with Live Video Streaming and Altitude Stabilization Technology



**INSTRUCTION BOOKLET**

**WARNING:** Never leave product charging unattended for extended periods of time. Always disconnect SKY RIDER™ battery from charger immediately after it is fully charged. Please refer to enclosed safety instructions.

**PACKAGE CONTAINS:**



Colors and styles may vary slightly.



## TABLE OF CONTENTS

Product Features.....	2
Remote Control Battery Installation.....	2
Charging Your SKY RIDER™ Battery.....	2
SKY RIDER™ Quadcopter Diagram.....	3
SKY RIDER™ Remote Diagram.....	3
Flight Preparation.....	4
Syncing Your SKY RIDER™.....	4
Flying Tips.....	4
Starting/Stopping The Rotors.....	5
Manual Start/Stop.....	5
Auto Start/land.....	5
Speed Select Button.....	5
Recognizing The Front & Rear Of The SKY RIDER™.....	5
Understanding The Altitude Lock Sensor.....	5
3 Channel Flight Control.....	6
4 Channel Flight Control.....	7
Adjusting Trim.....	8
Propel SKY RIDER™ Wifi App Installation.....	9
Pairing SKY RIDER™ To Your Compatible Device.....	9
Quick Start.....	9
Detailed App Overview.....	9
Using VR Goggles.....	10
Level Surface Calibration.....	11
Flight Environment.....	11
Flight Practice.....	11
Performing A 360° Flip.....	11
Trouble Shooting Your SKY RIDER™.....	12
Operating The Camera.....	13
Replacing The Propeller Blades.....	13
SKY RIDER™ Warnings.....	14
Battery Warnings.....	14
Care And Maintenance.....	14
FCC Information.....	15

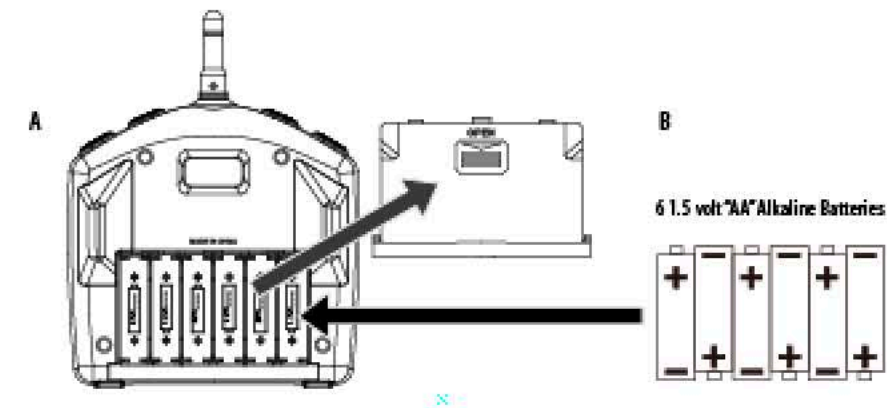
Thank you for purchasing the SKY RIDER™ 2.4 Ghz Quadcopter. Please read this instruction booklet as it contains valuable information on how to properly fly and care for your SKY RIDER™ Drone.

## PRODUCT FEATURES

- Air pressure sensor locks flight altitude for stable video footage.
- On board camera records video and captures still pictures.
- Streams live video to your mobile device.
- 3 speed settings for beginner to more advanced pilots.
- 6 axis gyro for extremely stable flight and maneuverability.
- Wide range digital radio allows flight range up to 400 feet!
- 360 degree push button stunt rolls.
- 2.4 ghz controller, 2pcs li-poly batteries, vr goggles and additional replacement parts included.

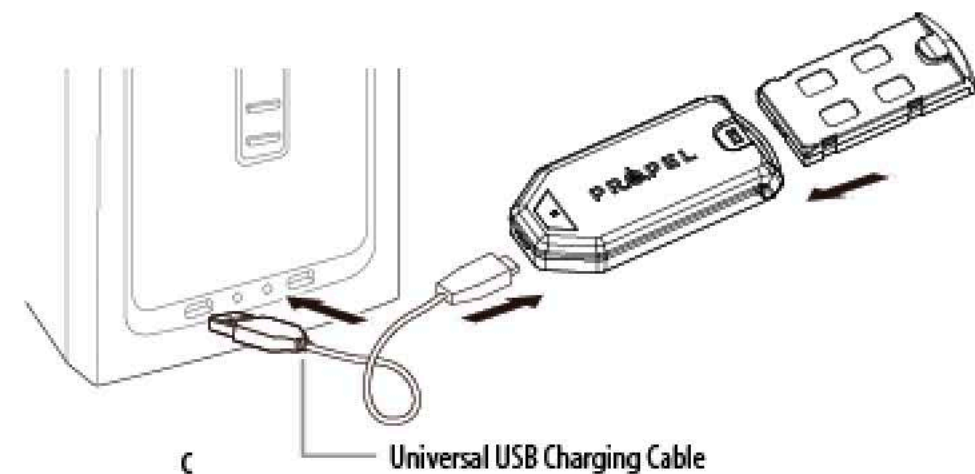
## REMOTE CONTROL BATTERY INSTALLATION

1. Remove the battery cover from the back of the controller as shown in diagram A.
2. Install 6 "AA" fresh alkaline batteries into the controller as shown in diagram B. Make sure to install batteries to their correct polarity. Do not mix old and new batteries or battery types.
3. Replace the battery cover.



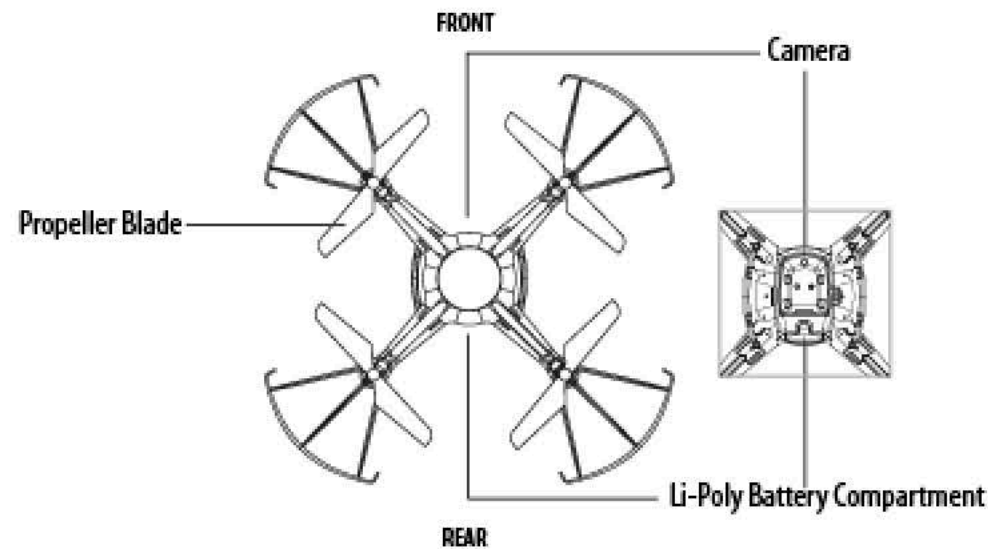
## CHARGING YOUR SKY RIDER™ BATTERY

1. Slide the battery into the USB charger and then connect the MICRO USB cable to the charger (see diagram C). Connect the large end of the USB cable to your computer's USB port.  
**CAUTION:** Do not force battery into charger, improper connection may damage the SKY RIDER™ battery.
2. The indicator light will turn red when connected, flash red while charging and when the RED Led light turns GREEN your battery has a complete charge.
3. Average charging time is around 50 minutes.
4. A full charge will allow for about 7-10 minutes of flight time depending on the environment and user input.

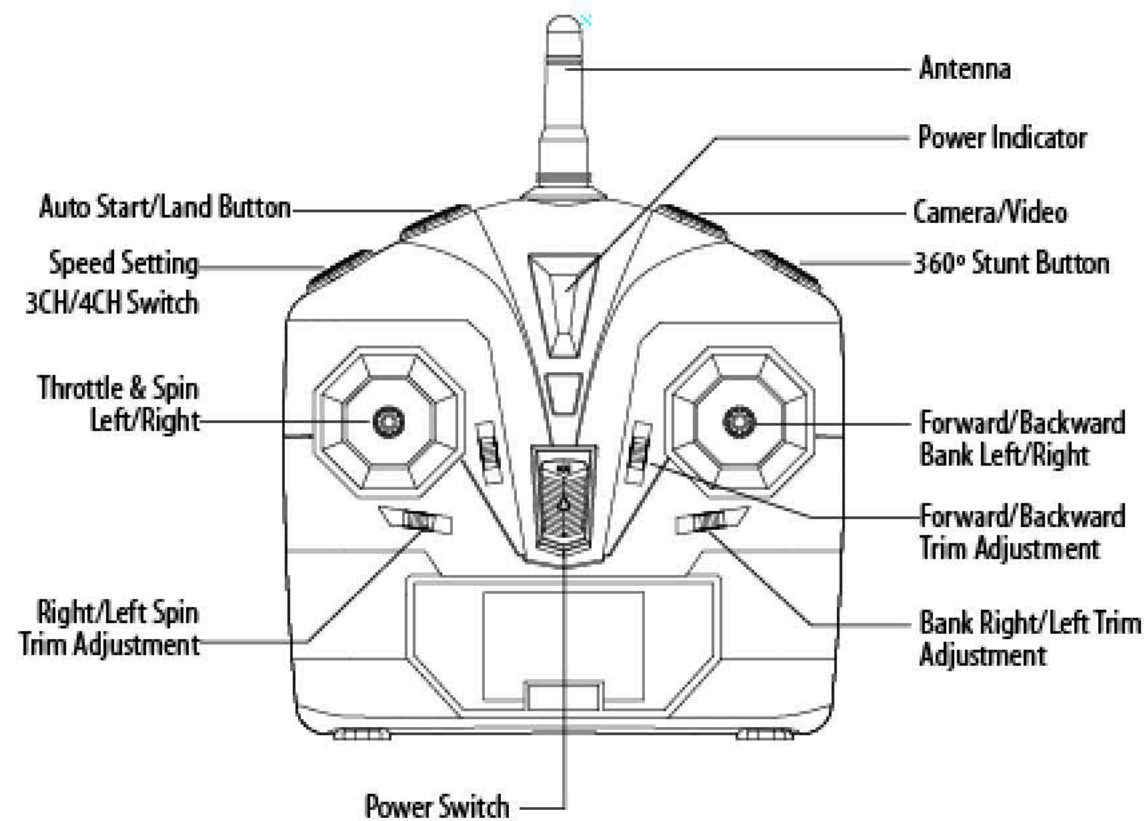


**IMPORTANT: ALWAYS REMEMBER TO UNPLUG YOUR CHARGING CORD WHEN NOT IN USE!**

## SKY RIDER™ QUADROCOPTER DIAGRAM

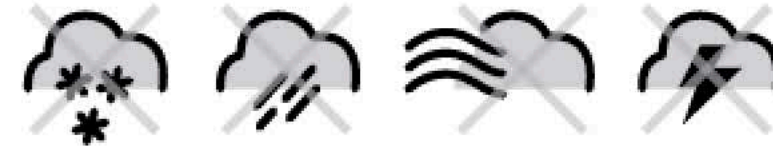


## SKY RIDER™ REMOTE DIAGRAM



## WARNING

**DO NOT FLY YOUR SKY RIDER™ IN FOUL WEATHER!**



### FLIGHT PREPARATION

- Verify that there are 6 "AA" batteries inside the remote control unit and the SKY RIDER™ battery has been fully charged.
- Make sure your SKY RIDER™'s and controller battery is inserted turned on.
- Make sure to be in a large space with an open radius of at least 200 feet.
- Make sure the empty space has no obstacles. Set your SKY RIDER™ on a clean flat level surface before take-off.

**DO NOT ATTEMPT TO FLY YOUR SKY RIDER™ IF THERE IS RAIN, SNOW, HEAVY WINDS, THUNDER OR LIGHTNING OUTDOORS. IT COULD DAMAGE YOUR PRODUCT AND POSSIBLY EVEN CAUSE BODILY HARM.**

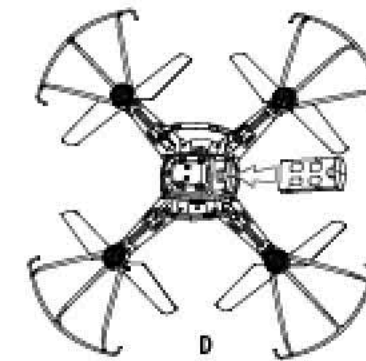
### SYNCING YOUR SKY RIDER™

**Important!** When syncing your SKY RIDER™ quadcopter with the controller always make sure that the quadcopter is on a flat level surface and your digital trim settings are in the center position. These will insure the 6 axis gyro is properly programmed to mimic your trim settings.

Your SKY RIDER™ utilizes an automatic 2.4G channel selection system that allows up to 8 people to fly side by side in the same wireless range with no interference.

**Syncing your aircraft:**

1. Before starting, make sure that the power switch on your controller is in the OFF position and the SKY RIDER™ battery is not inserted. Make sure that there are no other 2.4Ghz devices in the area as well.
2. Insert the battery into the compartment in the correct orientation and set it down on a flat level surface (see diagram D). The LED indicator lights under the rear arms of the SKY RIDER™ should begin to flash.
3. Next turn ON the remote controller. After hearing a series of beeps, the SKY RIDER™'s flashing LED lights will start flashing at a slower rate. Pull the throttle (left control stick) all the way up and then all the way down. The LED lights will flash rapidly for a few seconds and then stay solid. You are now ready to fly the SKY RIDER™. If this does not happen, repeat all steps above.



### FLYING TIPS

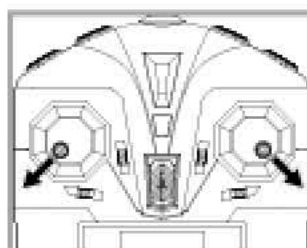
- It is recommended that you operate the SKY RIDER™ outdoors in a wide space. The ideal space should have at least a 200 foot radius.
- Parental guidance or adult supervision is suggested at all times.
- If you are flying the SKY RIDER™ with others, make sure all spectators are behind you.
- For best performance, it is recommended that you operate the SKY RIDER™ in zero wind conditions. Wind can greatly affect the performance of the aircraft or cause injury.

## STARTING/STOPPING THE ROTORS

*Note: You can start/stop your SKY RIDER™ manually or automatically. Please follow one of the steps below to operate accordingly. Make sure you have properly synced the SKY RIDER™ and the power stays on.*

### MANUAL START/STOP

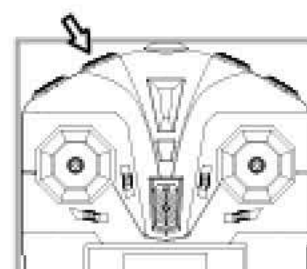
- To start the rotors simply move the two control sticks both down and out (see diagram), hold until the rotors start spinning. Now release both sticks to the neutral position and push the throttle up to take off.
- To stop the rotors, after starting them you can simply wait about 10 seconds, and they will stop automatically. Or move both sticks down and out again to stop immediately. After take off, you can simply pull the throttle all the way down and land.



### AUTO START/LAND

The SKY RIDER™ has an auto start/land feature which allows you to start/land automatically. Simply press the **AUTO START/ LAND** button on the top of the controller and your SKY RIDER™ will begin taking off/landing (see diagram below).

**NOTE:** You can still control the direction while auto starting/landing to avoid obstacles.

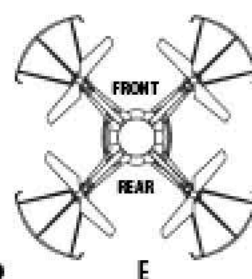


### SPEED SELECT BUTTON

The SKY RIDER™ has 3 speed settings; SLOW, MEDIUM and HIGH. The default setting when you first turn on your SKY RIDER™ is the SLOW speed mode. To increase the speed simply push the Speed setting button. (see remote diagram on pg 3) You will hear two beeps indicating your SKY RIDER™ has changed to MEDIUM speed mode. To increase the speed again simply push the Speed setting button one more time and you will hear three beeps indicating your SKY RIDER™ has changed to HIGH speed mode. Push the Speed setting button again and you will hear one beep indicating your SKY RIDER™ speed changed back to SLOW speed mode.

### RECOGNIZING THE FRONT & REAR OF THE SKY RIDER™

Even though the SKY RIDER™ has four rotors there is still a front or "forward" facing direction and rear or "backward" facing direction. The front of the Quadcopter displays WHITE LED lights and the rear of the Quadcopter displays RED LED lights when activated (see diagram E).



### UNDERSTANDING THE ALTITUDE LOCK SENSOR

The SKY RIDER™ has a unique Altitude Lock, air pressure sensor that allows for easier flight control and stability. A beginner's friend, it allows the user to ease into piloting the copter. The sensor locks in the altitude of the copter while allowing the user to adjust the directional controls without having to hold the throttle.

After starting the copter, fly it upwards to a safe height using the left joystick. Once at a safe height, letting go of the throttle should lock in the altitude and allow the user to focus on getting used to the directional controls of the SKY RIDER™. If when flying, the copter always tends to self correct and go back to the last locked height after moved up or down by outside forces.

**Note:** The altitude sensor does have some tolerance based on atmospheric conditions and could have a slight variation in altitude.

## 3 CHANNEL VS 4 CHANNEL FLYING

Propels unique "switch-blade" technology allows you to choose between 3ch or 4ch flight control modes. Most people with no experience in flying multi copters may find 3ch easier to learn at first as controls are set up to simply move forward, back, turn left and turn right. 4channel flying gives the operator ultimate control by adding two more dimensions of flight banking left and banking right.

• **NOTE:** The SKY RIDER™'s default setting is 4 Channel mode.

**To change to 3 Channel mode:**

PRESS and hold the 3/4 CH button (see remote diagram on pg 3), you will hear a long beep sound indicating the SKY RIDER™ now is set to 3 CH mode.

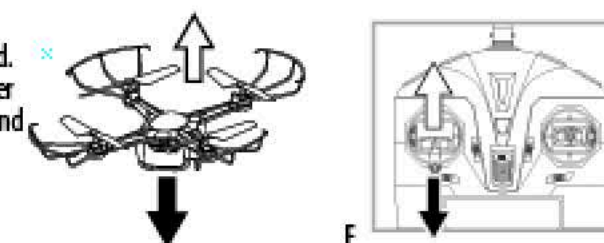
**To change back to 4 Channel mode:**

PRESS and hold the 3/4 CH button (see remote diagram on pg 3), you will hear another long beep sound indicating the SKY RIDER™ is now set to 4 CH mode.

### 3 CHANNEL FLIGHT CONTROL

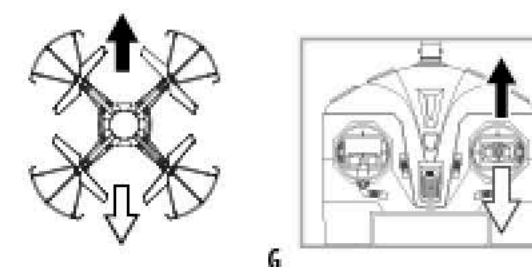
Below is a list of basic flight functions for your long-range remote to control the SKY RIDER™. While learning to fly your SKY RIDER™ it is best to start in a large space until you get used to the basic controls. As you master flying your SKY RIDER™ you can move to more advanced maneuvering techniques. Practice makes perfect! When you have these basic steps down you can move to the next level.

Move the Throttle stick up to increase the propeller speed and the SKY RIDER™ will accelerate and ascend. Move the Throttle stick down to decrease the propeller speed and the SKY RIDER™ will decelerate and descend (see diagram F).



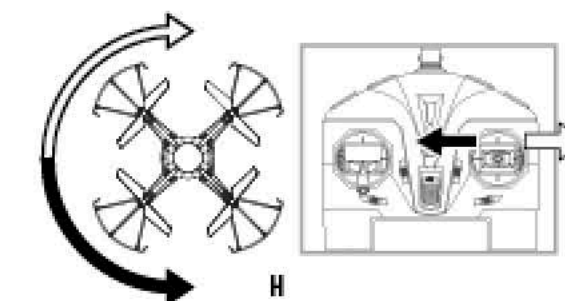
While in the air, move the Direction Stick up and the SKY RIDER™ will move forward.

Move the Direction Control down and the SKY RIDER™ will move backward (see diagram G).



While in the air, move the Direction Control left and the SKY RIDER™ will spin to the left.

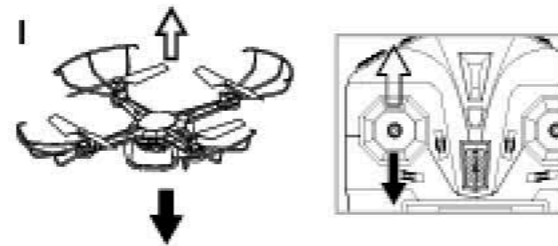
Move the Direction Control right and the SKY RIDER™ will spin to the right (see diagram H).



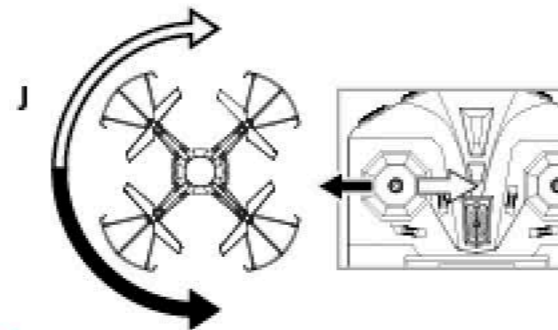
## 4 CHANNEL FLIGHT CONTROL

Below is a list of basic flight functions for your long-range remote control SKY RIDER™. While learning to fly your SKY RIDER™ it is best to start with a large space until you get used to the basic controls. As you master flying your SKY RIDER™ you can move to more advanced maneuvering techniques. Practice makes perfect! Once you have these basic steps down you can move to the next level.

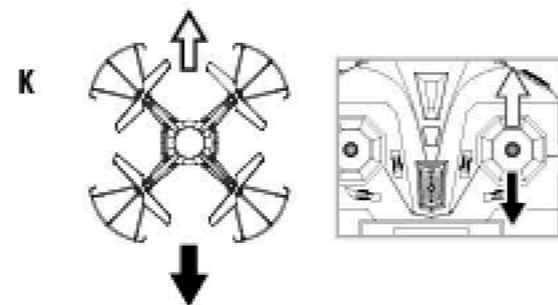
Move the Throttle stick up to increase the speed and the SKY RIDER™ will accelerate and ascend.  
Move the left Throttle stick down to decrease the speed and the SKY RIDER™ will decelerate and descend (see diagram I).



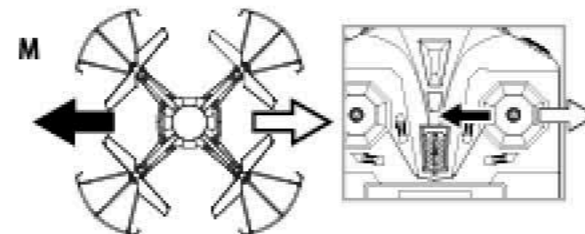
Move the Throttle stick left and the SKY RIDER™ will rotate left.  
Move the left Throttle stick right and the SKY RIDER™ will rotate right (see diagram J).



Move the Direction Stick up while in flight and the SKY RIDER™ will move forward.  
Move the Direction Control down while in flight and the SKY RIDER™ will move backward (see diagram K).



Move the Direction Control left and the SKY RIDER™ will bank to the left.  
Move the Direction Control right and the SKY RIDER™ will bank to the right (see diagram M).

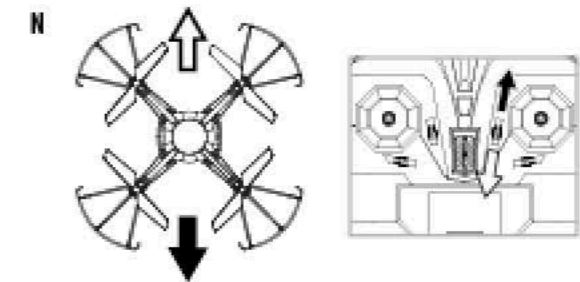


## ADJUSTING TRIM

From time to time you may have to adjust the TRIM buttons to ensure the SKY RIDER™ will hover in mid-air and respond accurately to your commands (make all trim adjustments while the drone is in air).

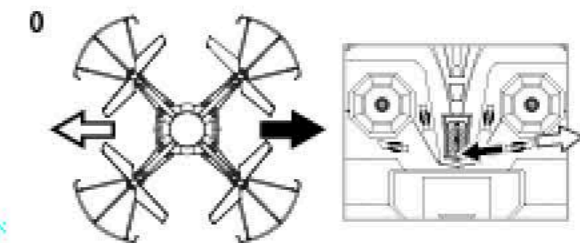
### Forward/Backward Trim

- If your SKY RIDER™ drifts forward, push and release the TRIM button backward repeatedly until the motion stops and proper flight is maintained (see diagram N).
- If your SKY RIDER™ drifts backwards, push and release the TRIM button forward repeatedly until the problem is resolved.



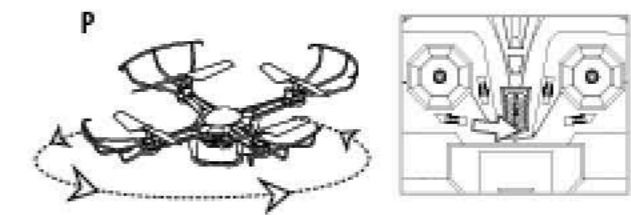
### Right/Left Trim

- If your SKY RIDER™ drifts left, push and release the TRIM button rightward repeatedly until the motion stops and proper flight is maintained (see diagram O).
- If your SKY RIDER™ drifts right, push and release the TRIM button leftward repeatedly until the problem is resolved.

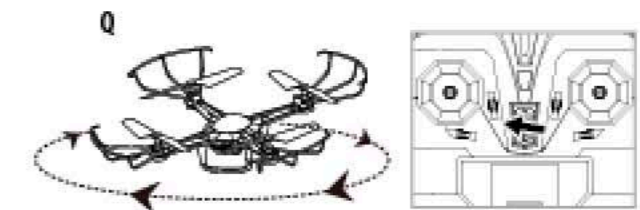


### Right/Left Spin Trim

- If your SKY RIDER™ spins counter clockwise, push and release the TRIM button rightward repeatedly until the motion stops and proper flight is maintained (see diagram P).



- If your SKY RIDER™ spins clockwise, push and release the TRIM button leftward repeatedly until the problem is resolved (see diagram Q).

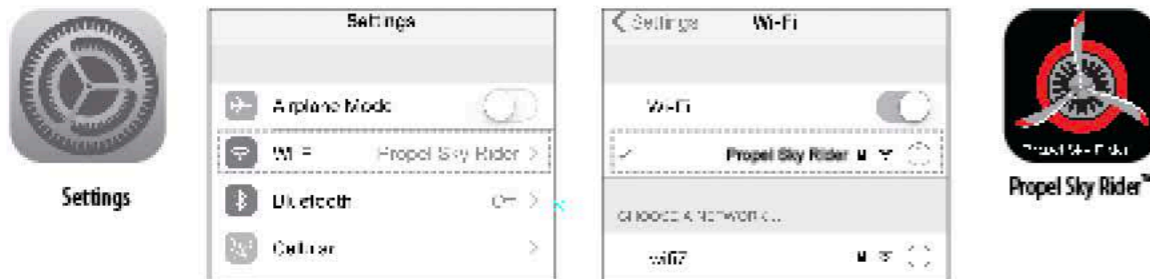


## PROPEL SKY RIDER™ APP INSTALLATION

1. Make sure you are using a compatible Android™ or Apple® iOS device.
2. Make sure your device has access to the Internet.
3. For Apple® iOS devices, within the App Store, search and select “Propel Sky Rider™”. Hit the Install button and the “Propel Sky Rider™” App should download and install automatically.
4. For Android™ OS devices, visit the Google Play store and search for “Propel Sky Rider™”. Selecting the “Propel Sky Rider™” App will download the App and automatically install it on your device.
5. After the “Propel Sky Rider™” App is installed, it should create an icon on your screen. Click the “Propel Sky Rider” icon to run the App to make sure that it has installed correctly on your device. If not, please delete and repeat the process again.

## PAIRING SKY RIDER™ TO YOUR COMPATIBLE DEVICE

1. After completely charging your SKY RIDER™ battery, install the battery to your SKY RIDER™ (refer to the user manual).
2. In the Settings menu of your device, locate the Wi-Fi option.
3. Turn ON the Wi-Fi option.
4. Select “Propel Sky Rider” from the Wi-Fi list. Wait for your SKY RIDER™ to be connected. Return to the Main Menu.



Note: Apple® devices require the use of iOS 7.0 or higher.  
 ANDROID™ devices require the use of OS 4.2.2 or higher.

## QUICK START

1. After you install the App correctly and have paired to the drone successfully, you can open the “Propel Sky Rider” App icon. Tap “START” on the bottom right hand side of the screen. You should see the real-time video from your SKY RIDER™ camera.
2. This App also allows you to control your SKY RIDER™ via your mobile device. To activate the control sticks, tap the “ON” button at the top right hand side of the screen. This will switch the control from your traditional controller to your compatible device. Now click “ON” to start the motors. The control sticks will show up in the screen for your fly control and you can now use your device as a traditional controller. Or you can click “ON” to auto launch your SKY RIDER™ in the air and then use your device as a traditional controller. Click this button again, your SKY RIDER™ will automatically land on the floor.

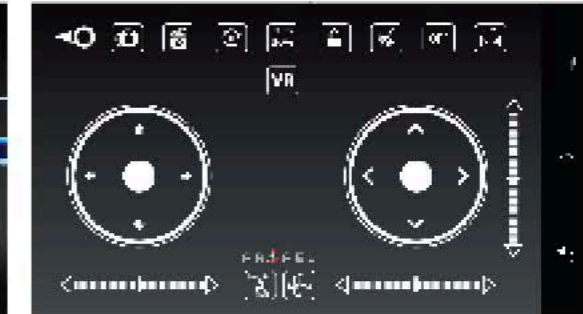
## DETAILED APP OVERVIEW

3. Please see images below for a detailed App overview. This overview is also available under the “HELP” icon in the home screen of the App.

### HOME PAGE



### CONTROL STICKS



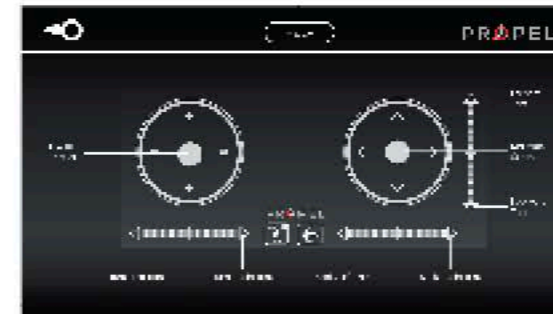
### HELP PAGE 1



### HELP PAGE 2



### HELP PAGE 3



4. If you're still encountering difficulties please contact our customer service department at 1-949-566-9573(USA).

## USING VR GOGGLES

### 1. PHONE INSTALLATION

Open the front cover of the VR Goggles and place your compatible mobile device firmly onto the suction cups, make sure your mobile device is positioned in the center of the VR Goggles, start the App and select the VR option.

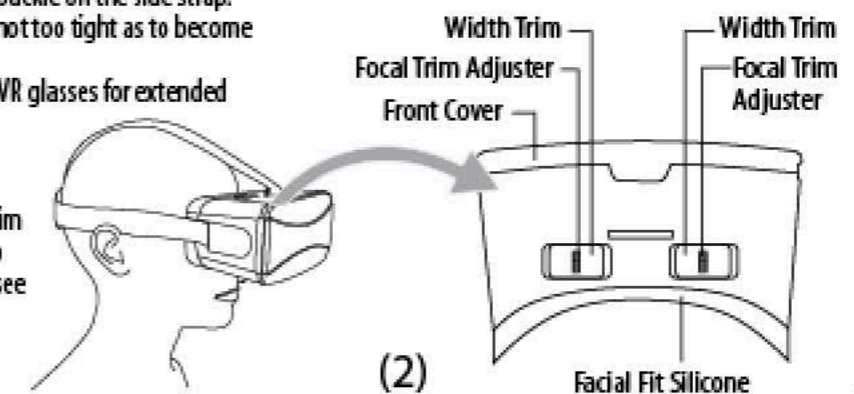
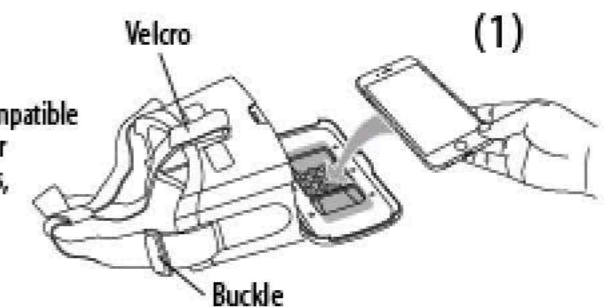
### 2. WEARING VR GOGGLES

Place the goggles on your head using the elastic straps, and secure the fit by adjusting velcro on the top middle strap, and sliding the plastic buckle on the side strap. Make sure the fit is snug but not too tight as to become uncomfortable.

Note: Please do not wear the VR glasses for extended periods of time.

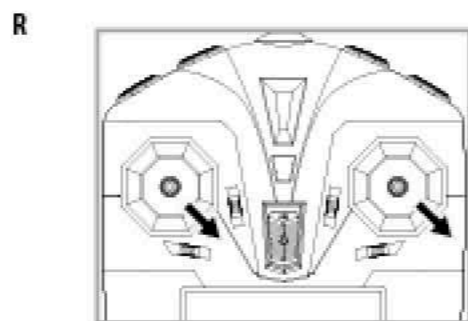
### 3. ADJUSTING VR GOGGLES

Adjust the width trim (using the slides) and focal trim (using the wheels) on the top of the goggles, until you can see the image clearly without forcing your eyes.



## LEVEL SURFACE CALIBRATION

If the aircraft becomes unstable during flight, you may need to restabilize the internal gyros. To do this, Turn Off the controller and disconnect the Drone battery. Place the SKY RIDER™ on a flat level surface. Follow the steps to sync your SKY RIDER™ (page 4). Now, pull both the joysticks downwards and towards the right at the same time (see diagram N). The lights on the drone will flash a bit and then remain solid. This indicates that your drone has been calibrated.

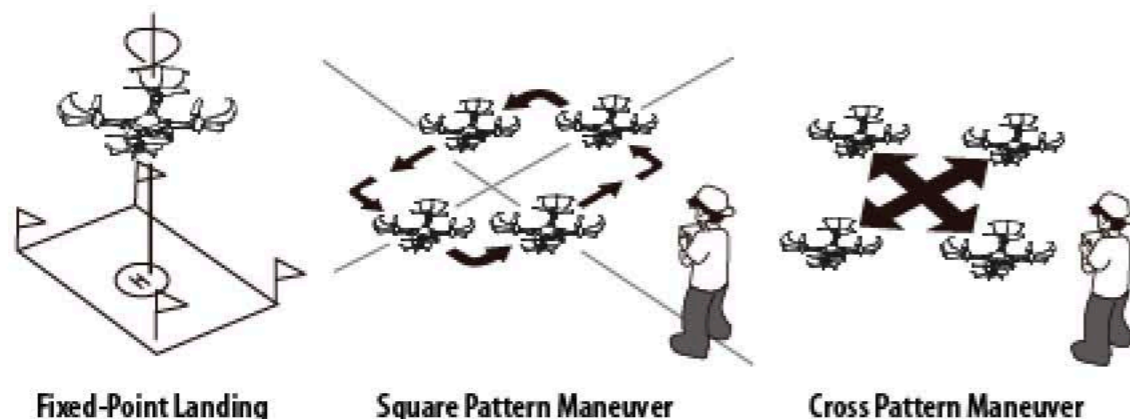


## FLYING ENVIRONMENT

The SKY RIDER™ is designed for outdoor use only. Pick a day of warm sunny weather with no wind or rain. **WARNING:** Do not fly in extreme temperatures or windy conditions as this may affect the performance of your SKY RIDER™ and cause damage or injury.

## FLIGHT PRACTICE

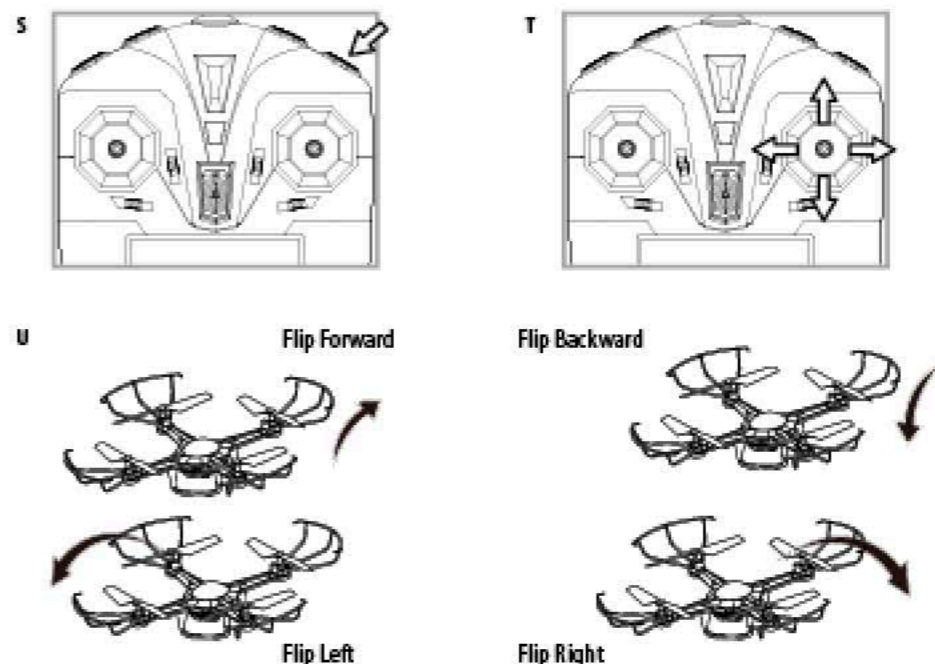
To master flying your aircraft try practicing the exercises shown below. Start with simple vertical takeoffs, landings, and left/right turning and rotating. Once those are mastered move on to square and cross maneuvers. Good luck and have fun!



## PERFORMING 360° FLIPS

After you have mastered flying the SKY RIDER™ you are ready to try flips. Once the SKY RIDER™ is hovering at least 3 meters (about 10 feet) off the ground, trigger the 360° Flip Button (see diagram S) and push the right lever forward slightly and let go. The SKY RIDER™ will instantly perform a forward flip. To perform a backwards or side flip, trigger the 360° Flip Button and push the right lever in the direction you wish to flip just as you did for the forward flip (see diagram T & U).

**NOTE:** At speed mode1 or when the drone battery running low, the 360° Flip function is disabled.



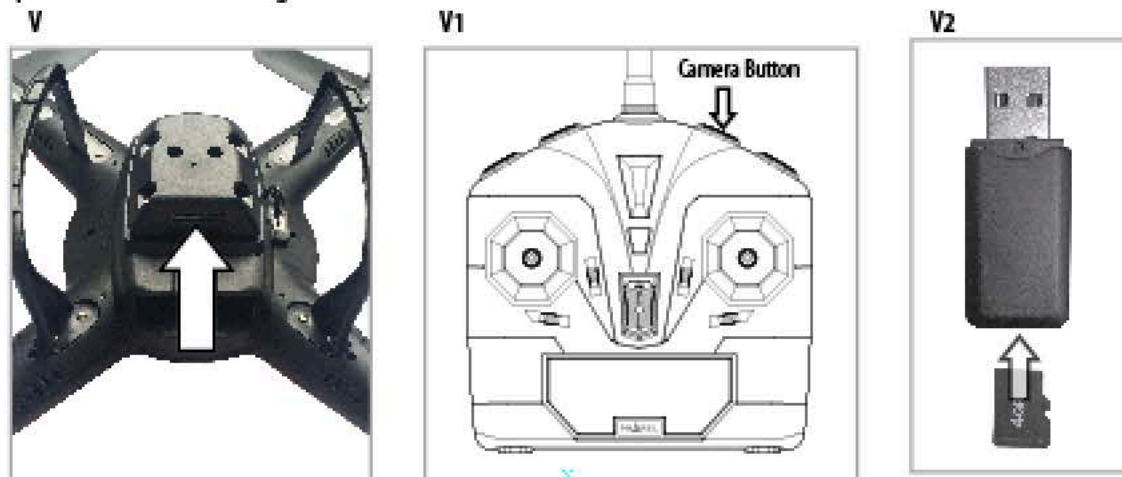
## TROUBLESHOOTING YOUR SKY RIDER™

PROBLEM	POSSIBLE REASON	SOLUTION
No Power	<ol style="list-style-type: none"> <li>1. Power switched off</li> <li>2. Polarity is reversed</li> <li>3. Batteries may be dead</li> </ol>	<ol style="list-style-type: none"> <li>1. Switch the ON/OFF switch to ON</li> <li>2. Make sure all batteries are installed correctly (see diagram B)</li> <li>3. Replace batteries</li> </ol>
Remote Not properly Responding	<ol style="list-style-type: none"> <li>1. Remote is switched off</li> <li>2. SKY RIDER™ battery is not connected</li> <li>3. Too windy</li> <li>4. The remote is not synced</li> </ol>	<ol style="list-style-type: none"> <li>1. Switch the ON/OFF switch to ON</li> <li>2. Connect the battery to SKY RIDER™</li> <li>3. Windy conditions severely impair the operation of the SKY RIDER™</li> <li>4. Re-sync the remote</li> </ol>
Aircraft Won't lift off	<ol style="list-style-type: none"> <li>1. Rotor speed too slow</li> <li>2. Aircraft not fully charged</li> </ol>	<ol style="list-style-type: none"> <li>1. Push throttle lever forward</li> <li>2. Recharge your SKY RIDER™</li> </ol>
Aircraft Descends Too Fast	<ol style="list-style-type: none"> <li>1. Moving the throttle too quickly</li> </ol>	<ol style="list-style-type: none"> <li>1. Control the throttle slower and smoother</li> </ol>
Aircraft Not Responding	<ol style="list-style-type: none"> <li>1. Gyroscope not functioning</li> </ol>	<ol style="list-style-type: none"> <li>1. Turn ON the SKY RIDER™ and Reset the Gyro (see diagram R)</li> </ol>
Loss of SKY RIDER™ Control	<ol style="list-style-type: none"> <li>1. Aircraft is out of range of remote</li> </ol>	<ol style="list-style-type: none"> <li>1. Keep the aircraft within a 350 feet radius of the remote</li> </ol>

## OPERATING THE CAMERA

You can take in-flight photos or video with your SKY RIDER™ on board camera.

1. Ensure that the camera module is securely attached and locked onto the copter. Carefully insert a micro SDHC card with a speed class of 6 or higher (not included) into the slot on the rear of the camera module. Push in gently until you hear and feel a click. Now you are ready to use the camera.
2. To take still pictures, short press the camera button. The indicating LED light will flash 3 times.
3. To take video footage, hold down the camera button on the remote for a few seconds (see diagram V1). You will hear a long beep and the camera indicating LED lights will start flashing. To stop video footage simply short press the button again.
4. After turning the Power Off on the copter, you may now remove the microSDHC card from the SKY RIDER™ by gently pushing on the back of the card with your thumb until you hear and feel a slight click. You may use the included USB card reader to connect it to a computer and retrieve your pictures and video footage.



## REPLACING THE PROPELLER BLADES

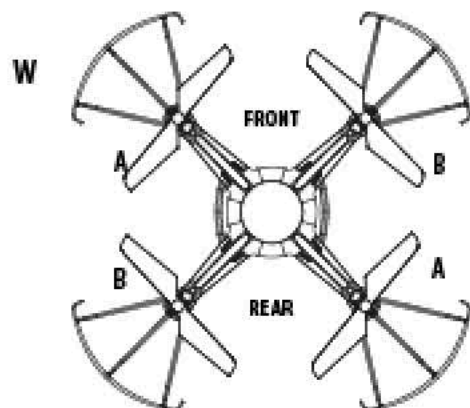
**NOTE: Always disconnect the battery before replacing the propeller blades.**

Your SKY RIDER™ propeller system is a precision instrument that may need repair or replacement from time to time for optimal flight function. Crash landing from high-speed aerial flights may cause damage to your SKY RIDER™ propellers.

The SKY RIDER™ has four propeller blades, two on the front and two on the back. Each one of these propellers is marked with either A or B on the underside.

1. When replacing the propeller blades, carefully unscrew the broken propeller from the rotor shaft.
2. Replace the damaged blade with the correct new blade. Ensure that the identification letter on the broken blade and on the new blade are the same before screwing back on (see diagram W).

**NOTE: The Color of the blade does not matter. What matters is the identification letter on the bottom of blade. All "A" blades would perform the same irrespective of color and the same would apply for "B".**



## SKY RIDER™ WARNING:

The SKY RIDER™ is designed for OUTDOOR use only. The SKY RIDER™ blades revolve at high speed and can cause damage to the user, spectators and animals. Stand away from the SKY RIDER™ to reduce the risk of getting into the flight path. Warn spectators that you will be flying your SKY RIDER™ so that they are aware of its position. Before flight, inspect the rotor blades to make certain that the blades are securely fastened to the SKY RIDER™.

### WARNING!

- Choking/Cutting Hazard. Small Parts/Sharp Rotor Blades.
- Keep hands, hair and loose clothing away from the propeller when the power switch is turned to the ON position.
- Turn off the transmitter and take out the battery from the SKY RIDER™ when not in use.
- The included charger is built specifically for the SKY RIDER™ Li-Poly battery. Do not use it to charge any other battery.
- New alkaline batteries are recommended for maximum performance.
- Parental supervision recommended when flying SKY RIDER™.

## BATTERY WARNINGS

### RECHARGEABLE BATTERY:

This SKY RIDER™ uses a Li-Poly rechargeable battery. If battery can no longer be charged, dispose it battery properly according to the local law.

### CONTROLLER BATTERIES:

Remote control requires 6 "AA" batteries (not included). Please read the important battery safety warning below.

- Do not mix alkaline, standard (carbon-zinc) and rechargeable batteries (Nickel Metal Hydride).
- Do not mix old and new batteries.
- Non-rechargeable batteries are not to be recharged.
- Rechargeable batteries are to be removed from the item before being charged (if removable).
- Rechargeable batteries are only to be charged under adult supervision.
- Exhausted batteries should be removed immediately and must be recycled or disposed of properly according to state or local government ordinances and regulations.
- The supply terminals are not to be short-circuited.
- Only batteries of the same or equivalent type as recommended are to be used.
- Batteries are to be inserted with the correct polarity (see inside booklet for diagram).
- Do not dispose batteries in a fire - batteries may leak or explode.

## CARE AND MAINTENANCE

- Always remove the batteries from the wireless remote control when it is not being used for an extended period of time.
- To clean, gently wipe the remote control and SKY RIDER™ with a clean damp cloth.
- Keep away from direct heat or sunlight.
- Do not submerge into water. This can damage the unit beyond repair.
- Parental guidance recommended when installing or replacing the batteries.

### FCC RF exposure statements

This Transmitter must not be co-located or operating in conjunction with any other antenna or transmitter.

This equipment complies with FCC RF radiation exposure limits set forth for an uncontrolled environment. This equipment should be installed and operated with a minimum distance of 20 centimeters between the radiator and your body or nearby persons.

### IC Radiation Exposure Statement:

This equipment complies with IC radiation exposure limits set forth for an uncontrolled environment. This equipment should be installed and operated with minimum distance 20cm between the radiator & your body.

### Déclaration d'exposition aux radiations:

Cet équipement est conforme aux limites d'exposition aux rayonnements IC établies pour un environnement non contrôlé. Cet équipement doit être installé et utilisé avec un minimum de 20 cm de distance entre la source de rayonnement et votre corps.