

**FCC Part 15 C Notice**

**CAUTION:** Changes or modifications not expressly approved by the party responsible for compliance could void the user's authority to operate the equipment.  
**NOTE:** This equipment has been tested and found to comply with the limits for a Class B digital device, pursuant to Part 15 of the FCC Rules. These limits are designed to provide reasonable protection against harmful interference in a residential installation. This equipment generates, uses and can radiate radio frequency energy and, if not installed and used in accordance with the instructions, may cause harmful interference to radio communications. However, there is no guarantee that interference will not occur in a particular installation. If this equipment does cause harmful interference to radio or television reception, which can be determined by turning the equipment off and on, the user is encouraged to try to correct the interference by one or more of the following measures:

- Reorient or relocate the receiving antenna.
- Increase the separation between the equipment and receiver.
- Connect the equipment into an outlet on a circuit different from that to which the receiver is connected.
- Consult the dealer or experienced radio/TV technician for help.

This device complies with Part 15 of the FCC Rules. Operation is subject to the following two conditions:  
 (1) This device may not cause harmful interference, and  
 (2) this device must accept any interference received, including interference that may cause undesired operation.

**IC Radiation Exposure Statement:**

This equipment complies with IC radiation exposure limits set forth for an uncontrolled environment. This equipment should be installed and operated with minimum distance 20cm between the radiator & your body.

**Déclaration d'exposition aux radiations:**

Cet équipement est conforme aux limites d'exposition aux rayonnements IC établies pour un environnement non contrôlé. Cet équipement doit être installé et utilisé avec un minimum de 20 cm de distance entre la source de rayonnement et votre corps.

**INDUSTRY CANADA NOTICE: CANADA ONLY.**

This device complies with Industry Canada licence-exempt RSS standard(s). Operation is subject to the following two conditions: (1) this device may not cause interference, and (2) this device must accept any interference, including interference that may cause undesired operation of the device.

Le présent appareil est conforme aux CNR d'Industrie Canada applicables aux appareils radio exempts de licence. L'exploitation est autorisée aux deux conditions suivantes : (1) l'appareil ne doit pas produire de brouillage, et (2) l'utilisateur de l'appareil doit accepter tout brouillage radioélectrique subi, même si le brouillage est susceptible d'en compromettre le fonctionnement.

**CAN ICES-3 (B)/NMB-3(B)**

This product meets the applicable Innovation, Science and Economic Development Canada technical specifications.

Ce produit répond aux spécifications techniques pertinentes d'Innovation, Science et Développement économique applicables.



Requires Speed Class 6 or higher microSD or microSDHC card (not included)  
 microSDHC Logo is a trademark of SD-3C, LLC.

Conforms to safety requirements of FCC, RSS210 and RSS247 .

©2017 Rooftop Brands™ All rights reserved  
 Tel: + (1) 949-566-9573 • www.propelrc.com

Made in China  
 V 1.0

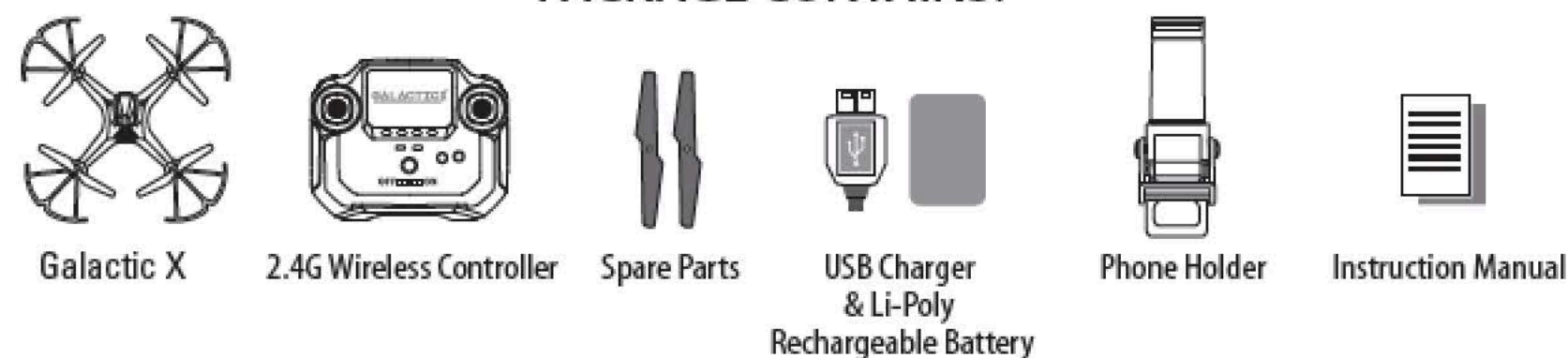
**GALACTICX**  
 OUTDOOR STREAMING DRONE



**INSTRUCTION BOOKLET**

**WARNING:** Never leave product charging unattended for extended periods of time. Always disconnect the battery from charger immediately after the battery is fully charged. Please refer to enclosed safety instructions.

**PACKAGE CONTAINS:**



Colors and styles may vary slightly.

PROPEL

## TABLE OF CONTENTS

Features .....	2
Remote Control Battery Installation .....	2
Charging the Galactic X's Li-Poly Battery .....	2
Galactic X Battery Installation And Removal .....	2
Galactic X Diagram .....	3
Control Diagram .....	3
Flight Preparation .....	4
Syncing Your Galactic X .....	4
Now You Are Ready To Fly .....	5
Recognizing The Front & Rear of The Galactic X .....	5
Starting/Stopping The Rotors .....	5
Manual Start/stop .....	5
Auto Start/Land .....	5
Understanding The Altitude Lock Sensor .....	6
Speed Select Button .....	6
Headless Mode Button .....	6
Flight Control .....	7
Flight Practice .....	7
Adjusting The Trim .....	8
Calibrating The Galactic X .....	8
How To Perform 360° Stunt Rolls .....	9
Live Video Streaming .....	10
Operating The Camera .....	10
Propel Galactic X WiFi APP Installation .....	11
Pairing Galactic X to Your Compatible Device .....	11
Quick Start .....	12
Detailed APP Overview .....	12
Troubleshooting Your Galactic X .....	13
Replacing The Propeller Blades .....	13
Warnings .....	14
Battery Warnings .....	14
Care and Maintenance .....	14
FCC Information .....	15

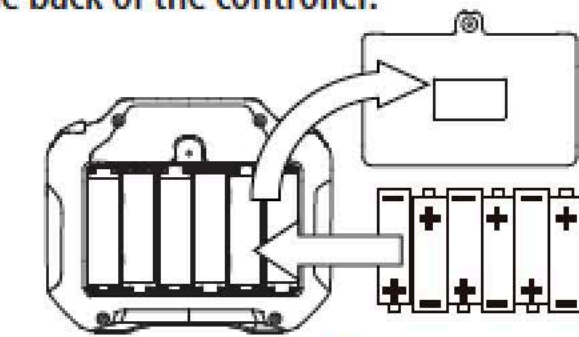
Thank you for purchasing the Galactic X™ 2.4 Ghz High-Performance Stunt Drone. Please read this instruction booklet as it contains valuable information on how to properly fly and care for your Galactic X™.

## FEATURES

- Wide range digital radio allows flight range up to 150 feet!
- 6 axis gyro for extremely stable flight and maneuverability.
- Push button 360° aerial stunts.
- On-board camera records videos and still photos to your mobile devices.
- 2 speed settings for beginner to more skilled pilots.
- Additional replacement parts included.

## REMOTE CONTROL BATTERY INSTALLATION

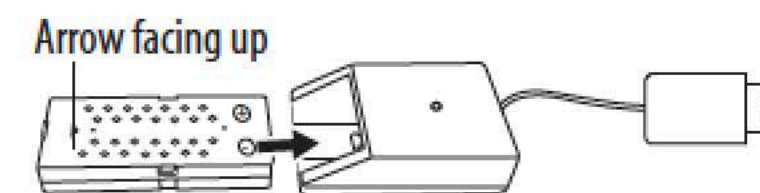
1. Unscrew the security screw and remove the battery cover from the back of the controller.
2. Install 6 "AA" alkaline batteries into the controller as shown in diagram A.
3. Replace the battery cover and replace the security screw.
4. Turn over the controller and turn the ON/OFF switch to the On position. If the LED lights turns on you have installed your batteries properly.



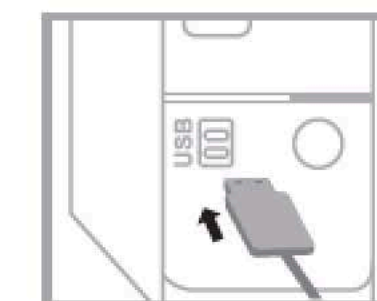
A.  
6 x "AA" Batteries  
(not included)

## CHARGING THE GALACTIC X'S LI-POLY BATTERY

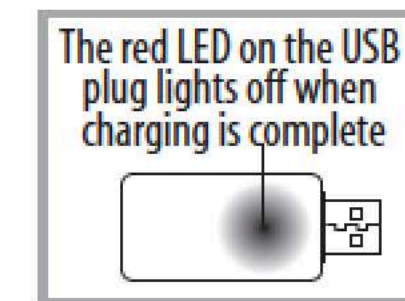
1. Connect the battery to the battery charger as shown(see diagram B).  
*Caution: The USB plug fits the charging socket only in one way. Do not force it.*
2. Next, connect the USB charger to your computer's USB port(see diagram C).  
*Caution: Only use this charger with a computer USB port! Do not attempt to use other USB charging devices.*
3. The red LED on the USB plug lights off when charging is complete (see diagram D).  
*Note: If the red LED lights off, either the charging is complete or the USB plug is not properly connected.*
4. Average charging time is approximately 120 minutes. A fully charged drone can fly for approximately 5-6 minutes depending on environment and user input.



B



C

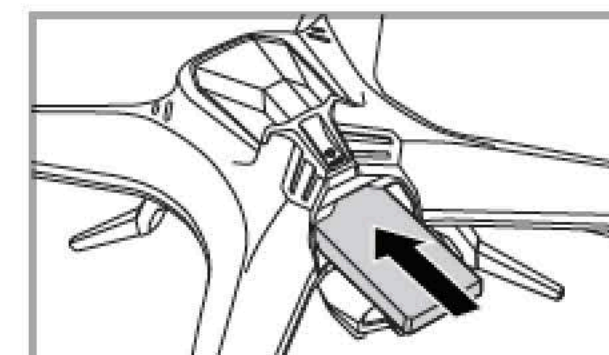


D

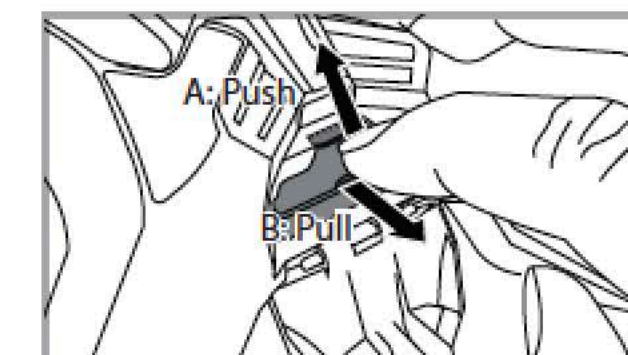
**IMPORTANT: ALWAYS REMEMBER TO UNPLUG YOUR CHARGING CORD WHEN NOT IN USE!**

## GALACTIC X BATTERY INSTALLATION AND REMOVAL

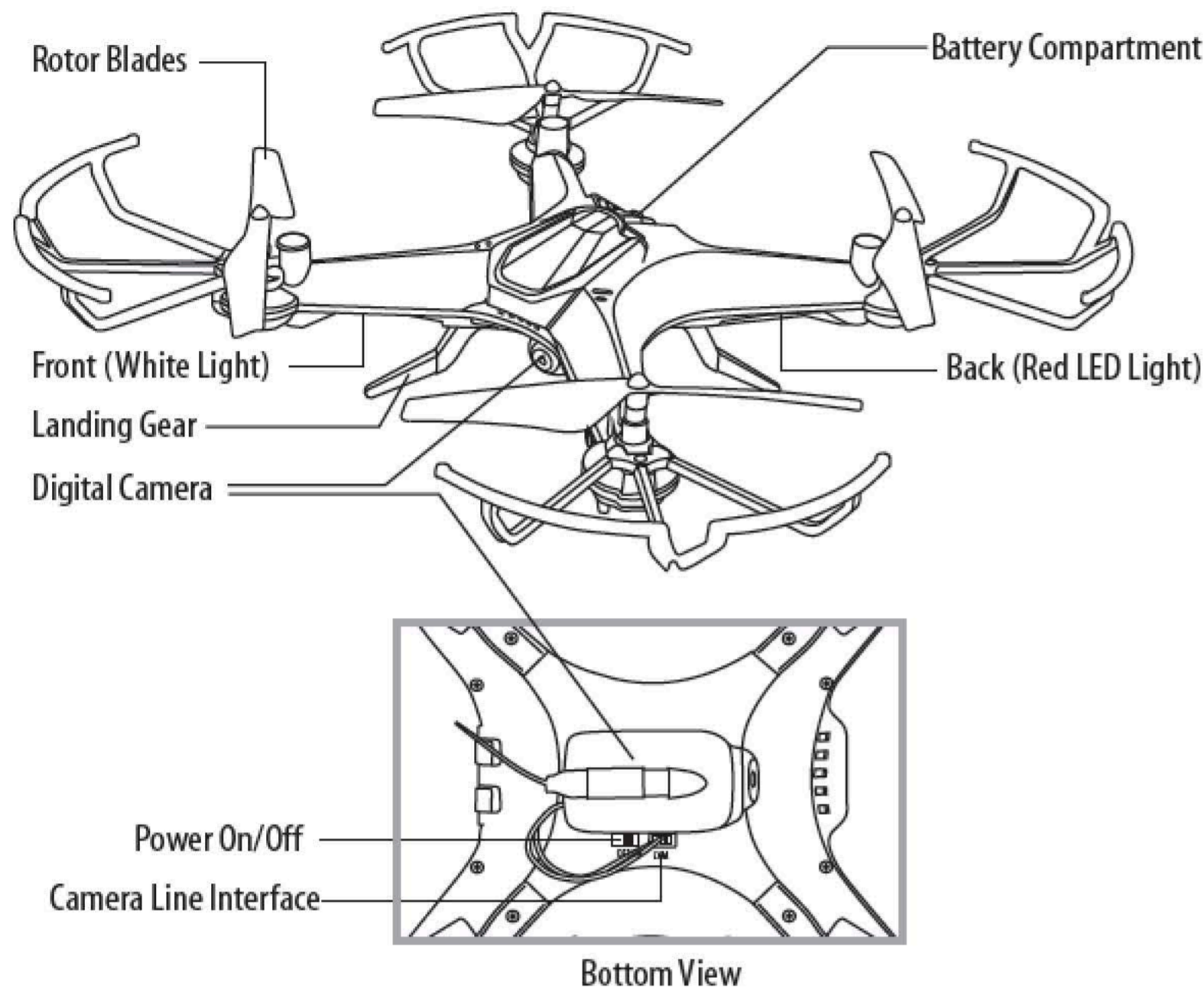
1. Open the Galactic X's battery compartment. Then slide the battery in and close the battery compartment cover(see diagram E).  
*Caution: Make sure the arrow and polarity markings are facing up! Your Galactic X will not work with improper battery installation.*
2. Turn on the ON/OFF switch of the Galactic X, the LED lights should start flashing if you have installed the battery properly.
3. To remove the battery out from the battery compartment, you need first push the battery lock up and then pull the battery out. Please see the diagram E below.



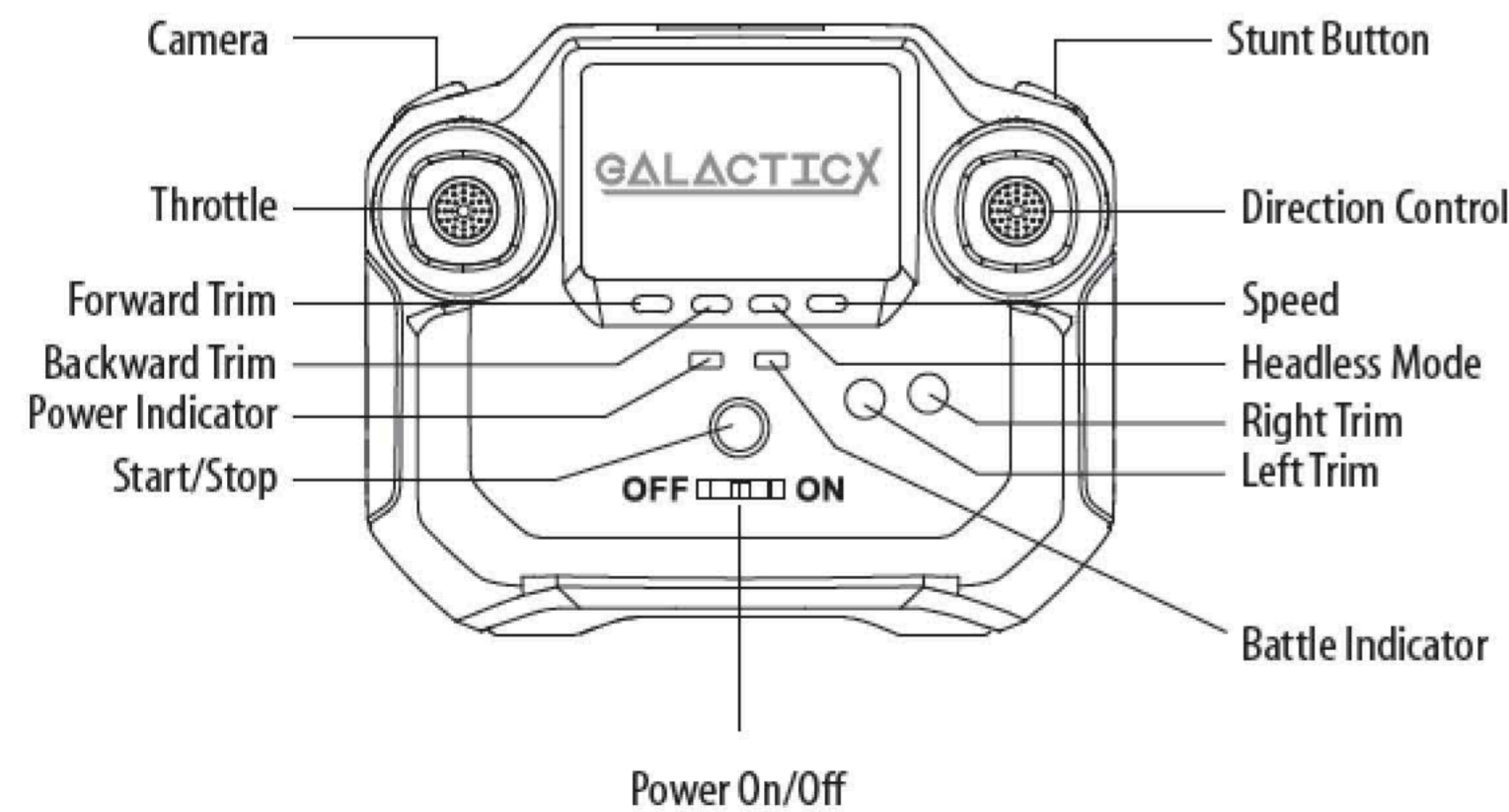
E



## GALACTIC X DIAGRAM

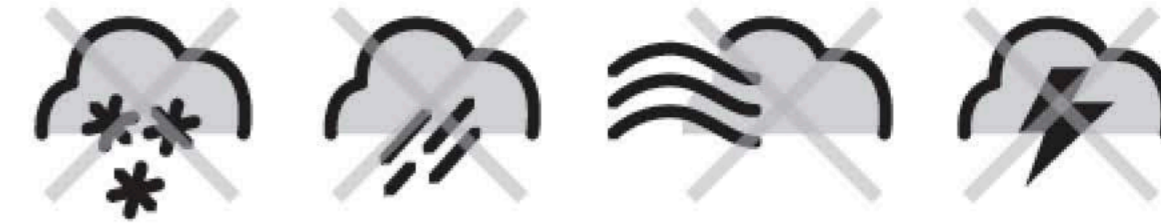


## CONTROLLER DIAGRAM



## WARNING

DO NOT FLY YOUR GALACTIC X IN FOUL WEATHER!



### FLIGHT PREPARATION

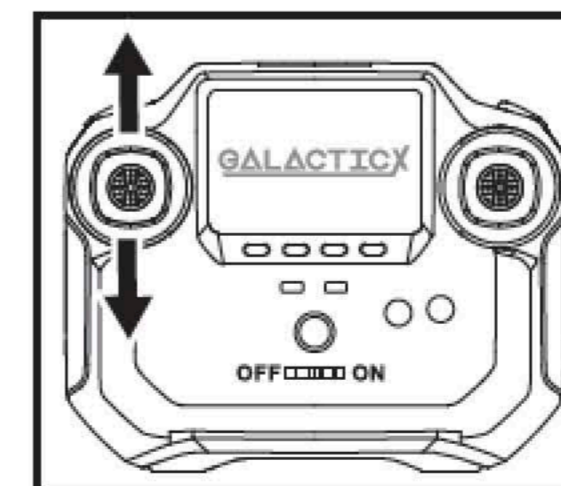
- Verify that there are 6 "AA" batteries installed the remote control unit and the Galactic X battery has been fully charged.
- Make sure to be in a large open space preferably a field or a park with an open radius of at least 200 feet.
- Make sure to start your drone on a clean flat level surface before take-off.
- **IMPORTANT!** Until you have experience in flying your Galactic X, it is not advised to use in any rate of wind. Wait until a zero wind day or extremely light wind when learning how to fly.

### SYNCING YOUR GALACTIC X

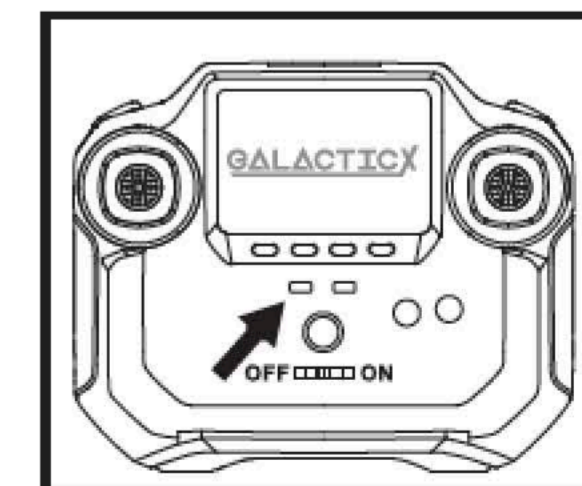
**Important!** When syncing your Galactic X with the controller always make sure that the drone is on a flat level surface and that your digital trim settings are in the center position. This insures that the 6 axis gyro is properly programmed to respond to your trim settings. Your Galactic X utilizes an automatic 2.4G channel selection system that allows up to 8 people to fly side by side in the same wireless range with no interference.

1. Before starting, make sure that the power switch is off both on your controller and the Galactic X. Make sure that there are no other 2.4G devices in the area.
2. Turn on your Galactic X and set it down on any flat surface. The red and white LED lights of the drone should begin to flash repeatedly.
3. Quickly turn on the remote and you will hear 2 beeping sounds and also may notice the power indicator flashed a couple of times.
4. Push the left control stick all the way up until it stops and then pull it back all the way down to the bottom (see diagram below). You should hear 2 high-pitched beeps and notice the lights on the drone should become solid. If the lights on both the drone and the controller have become solid you have successfully synced your Galactic X and are ready to fly. If the lights on the controller or the drone are still flashing repeat steps 1-4 again.

- **TIP 1:** try not to leave too much time between turning on the drone and the controller or your syncing window will time-out.
- **TIP 2:** Syncing your drone indoors or in the shade will make it easier to see the LED light indicators on both the controller and the drone.



move the control stick all the way up and all the way down you should hear a beep



the flashing red LED light will become solid when you are synced

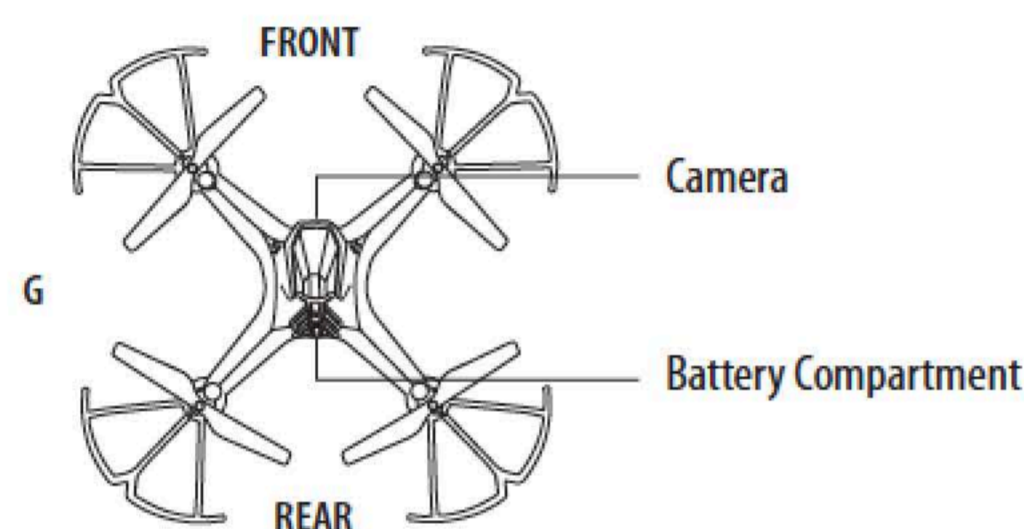
## NOW YOU ARE READY TO FLY!

If you have successfully synced your Galactic X to your controller as explained on page 4 you are now ready to fly. Before beginning to fly your drone you should familiarize yourself with how the controls work so please carefully read and familiarize yourself with various control features explain in the next two pages. Once again as a beginner pilot you should learn how to control your drone in a large open field or park on a day with zero or very light wind. Do not try to fly your Galactic X too high until you become a more experience pilot.

### RECOGNIZING THE FRONT & REAR OF THE GALACTIC X

Even though the Galactic X has four rotors there is still a front or "forward" facing direction and "rear" or backwards facing direction. The forward Front and forward facing direction of the Galactic X is the side with camera(see diagram G ). The rear and backward facing direction of the Quadcopter is the side with battery compartment(see diagram G).

**NOTE:** The front of the Quadcopter also displays WHITE LED light and the back of the Quadcopter displays RED LED lights.



### STARTING/STOPPING THE ROTORS

*Note:* You can start/stop your Galactic X manually or automatically.

Please follow one of the steps below to operate accordingly. Make sure you have properly synced the Galactic X and the power stays on.

#### MANUAL START/STOP

- To start the rotors simply move the two control sticks both down and out (see diagram), hold until the rotors start spinning. Now release both sticks to the neutral position and push the throttle up to take off.
- To stop the rotors, after starting them you can simply wait about 10 seconds, and they will stop automatically. Or move both sticks down and out again to stop immediately. After take off, you can simply pull the throttle all the way down and hold till the rotors stop .



#### AUTO START/LAND

The Galactic X has an auto start/land feature which allows you to start/land automatically. Simply press the **START/STOP** button on the top of the controller and your Galactic X will begin taking off/landing(see diagram below).

**NOTE:** You can still control the direction while auto starting/landing to avoid obstacles.



### UNDERSTANDING THE ALTITUDE LOCK SENSOR

The Galactic X has a unique Altitude Lock function, air pressure sensor that allows for easier flight control and stability. A beginner's friend, it allows the user to ease into piloting the copter. The sensor locks in the altitude of the copter while allowing the user to adjust the directional controls without having to hold the throttle. After starting the copter, fly it upwards to a safe height. Once at a safe height, release the throttle to the neutral position. Now your Galactic X should be locked in the altitude and you can focus on getting used to the directional controls of the Galactic X. The copter always tends to self correct and go back to the last locked height after moved up or down by outside forces.

*Note:* The altitude sensor does have some tolerance based on atmospheric conditions and could have a slight variation in altitude.

### SPEED SELECT BUTTON

The Galactic X has 2 speed settings; SLOW and HIGH. The Default setting when you first turn on your Galactic X is the SLOW speed mode. To increase the speed simply trigger the Speed setting button (see remote diagram on pg 3) you will hear 2 beeps and the speed changed to HIGH speed. Speed settings can be set before flight or during the flight.

### HEADLESS MODE BUTTON

You can maintain orientation of your Galactic X during flight.

1. Set the Galactic X on a flat level surface in front of you, front side straight ahead, press the headless mode button to activate the internal compass.
2. You'll hear a continuous beeping sounds reminding that you're flying in "Headless Mode". Also the lights on the drone will keep flashing.

*Note:* You need stay the same location when you activavted the headless mode, the Galactic X will exit headless mode when you move.

#### FCC RF exposure statements

This Transmitter must not be co - located or operating in conjunction with any other antenna or transmitter.

This equipment complies with FCC RF radiation exposure limits set forth for an uncontrolled environment. This equipment should be installed and operated with a minimum distance of 20 centimeters between the radiator and your body or nearby persons.

#### IC Radiation Exposure Statement:

This equipment complies with IC radiation exposure limits set forth for an uncontrolled environment. This equipment should be installed and operated with minimum distance 20cm between the radiator & your body.

#### Déclaration d'exposition aux radiations:

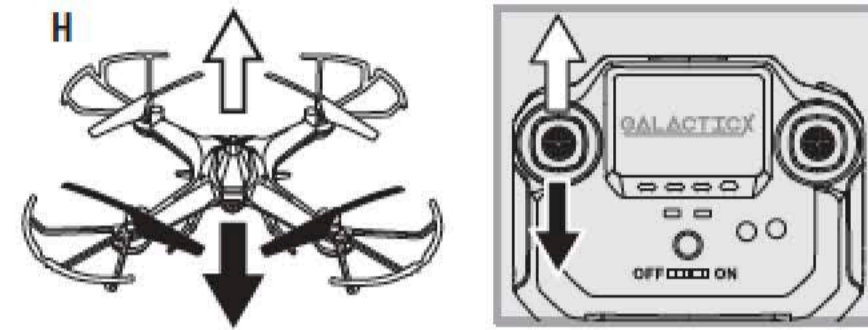
Cet équipement est conforme aux limites d'exposition aux rayonnements IC établies pour un environnement non contrôlé. Cet équipement doit être installé et utilisé avec un minimum de 20 cm de distance entre la source de rayonnement et votre corps.

## FLIGHT CONTROL

Below is a list of basic flight functions for your long-range remote to control the Galactic X. While learning to fly your Galactic X it is best to start in a large space until you get used to the basic controls. As you master flying your Galactic X you can move to more advanced maneuvering techniques. Practice makes perfect!

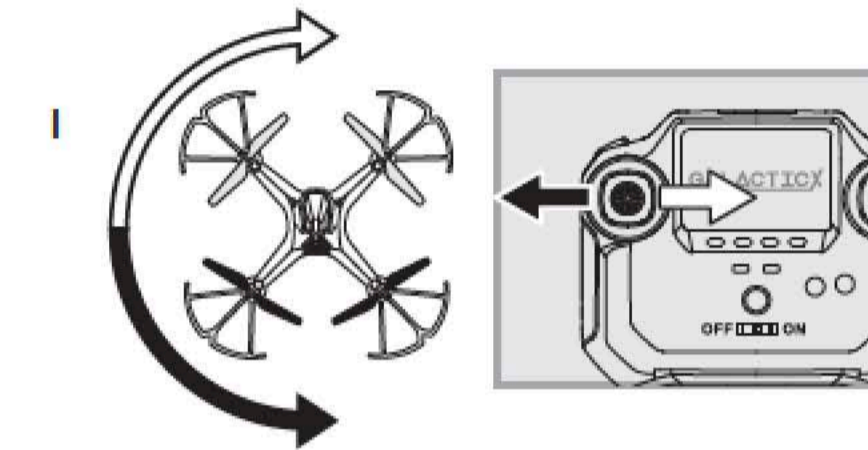
Move the left Throttle stick up to increase the propeller speed and the Galactic X will accelerate and ascend.

Move the left Throttle stick down to decrease the propeller speed and the Galactic X will decelerate and descend (see diagram H).



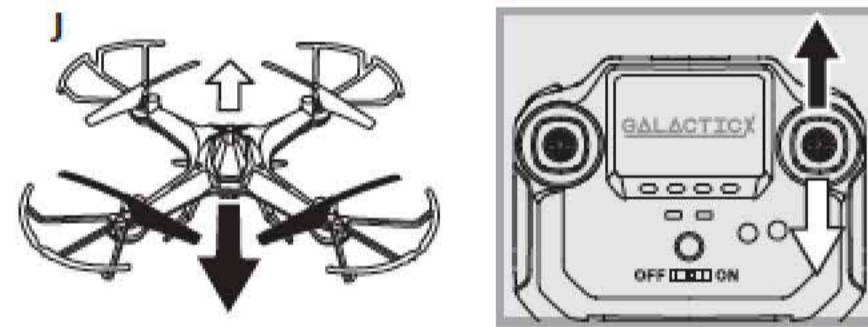
While in the air, move the left Throttle stick left and the Galactic X will rotate left.

Move the left Throttle stick right and the Galactic X will rotate right (see diagram I).



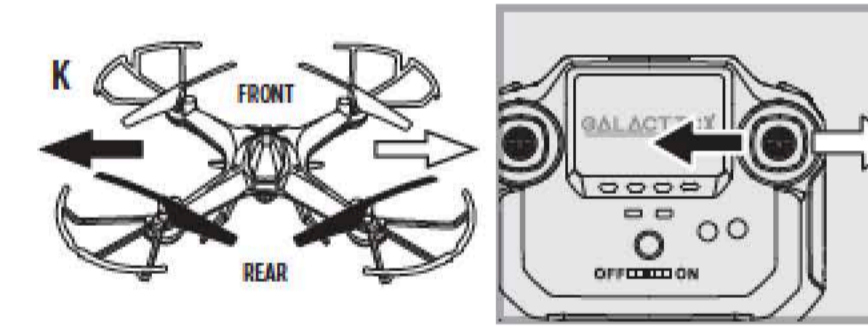
While in the air, move the right Direction Stick up and the Galactic X will move forward.

Move the right Direction Control down and the Galactic X will move backward (see diagram J).



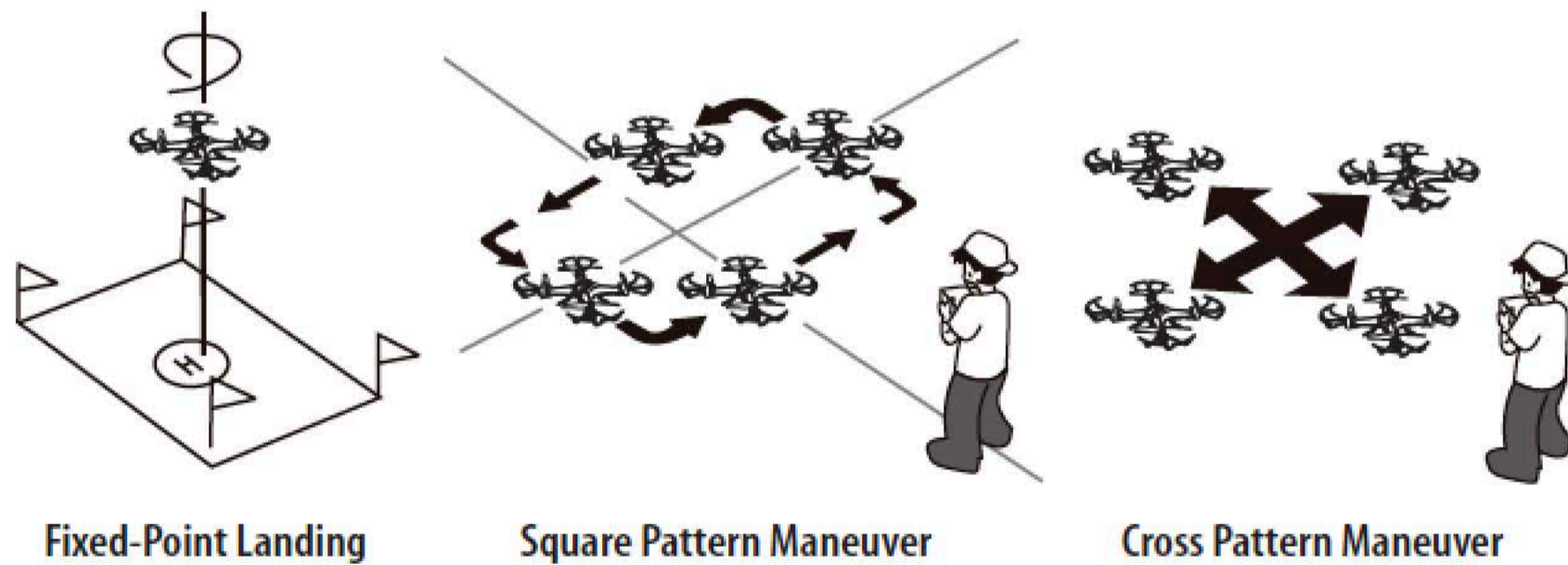
While in the air, move the right Direction Control left and the Galactic X will bank to the left.

Move the right Direction Control right and the Galactic X will bank to the right (see diagram K).



## FLIGHT PRACTICE

To master flying your aircraft try practicing the exercises shown below. Start with simple vertical takeoffs, landings, and left/right turning and rotating. Once those are mastered move on to square and cross maneuvers. Good luck and have fun!



Fixed-Point Landing

Square Pattern Maneuver

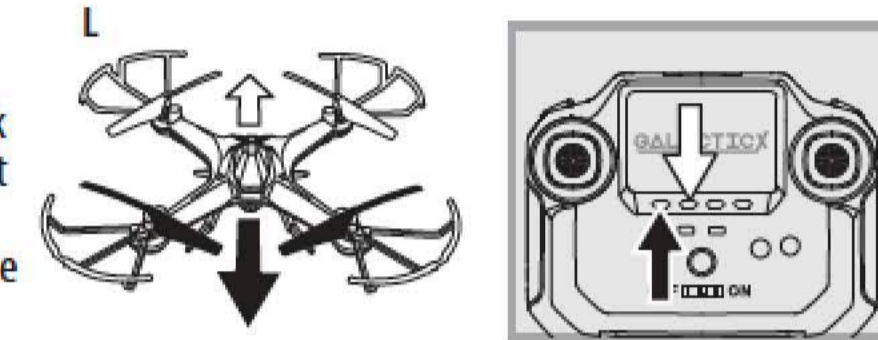
Cross Pattern Maneuver

## ADJUSTING THE TRIM

**NOTE:** The Galactic X is already properly trimmed and calibrated right out of the box and should not require any trim adjustments before flying. Some more experienced pilots may want to adjust trim settings for their style of flying. After several crashes you may need to adjust trim settings for the Galactic X to be more balanced.

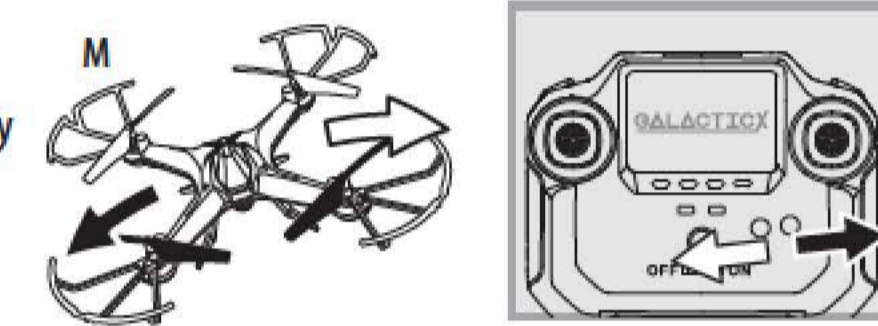
### Forward/Backward Trim

- If your Galactic X drifts forward while in the air, push and release the BACKWARD TRIM button back repeatedly until the motion stops and proper flight is maintained (see diagram L).
- If your Galactic X drifts backwards, push and release the FORWARD TRIM button forward in the same manner until the problem is resolved.



### Bank Right/Left Trim

- If your Galactic X drifts left while in the air, push and release the RIGHT TRIM button back repeatedly until the motion stops and proper flight is maintained (see diagram M).
- If your Galactic X drifts right, push and release the LEFT TRIM button in the same manner until the problem is resolved.



**NOTE:** The use of the Trim buttons utilizes sounds. A single long Beep indicates the product is center trimmed. Continuous long Beeps indicate the product is trimmed to the maximum on a particular side.

## CALIBRATING THE GALACTICX

**NOTE:** Your Galactic X comes pre-calibrated out of the box so you are ready to fly.

After several crashes and shock to your gyro sensors, you may notice that your drone is drifting and not holding its center position as well as it used to.

This most likely means that you need to recalibrate the 6 axis gyro. Please follow the simple instructions below.

1. Place the Galactic X on a flat level surface.
2. Make sure the Galactic X is on and that the controller is synced (refer to syncing pg 4.). Do not start the blades. Instead move both the throttle and control stick down and to the right corners and hold them there for about 5 seconds (See Diagram P). You will see the lights on the drone rapidly flash and stop. Once the lights stop flashing you have completed your calibration and are ready to fly!

**TROUBLE SHOOTING:** If you do not see the lights flash, turn off your controller take out the battery in the drone and start again. Always make sure to put your battery in first, then turn on your controller. Push the left throttle stick up all the way and then pull back down again. When you hear the beep the Galactic X is synced to the controller and you are ready to calibrate.



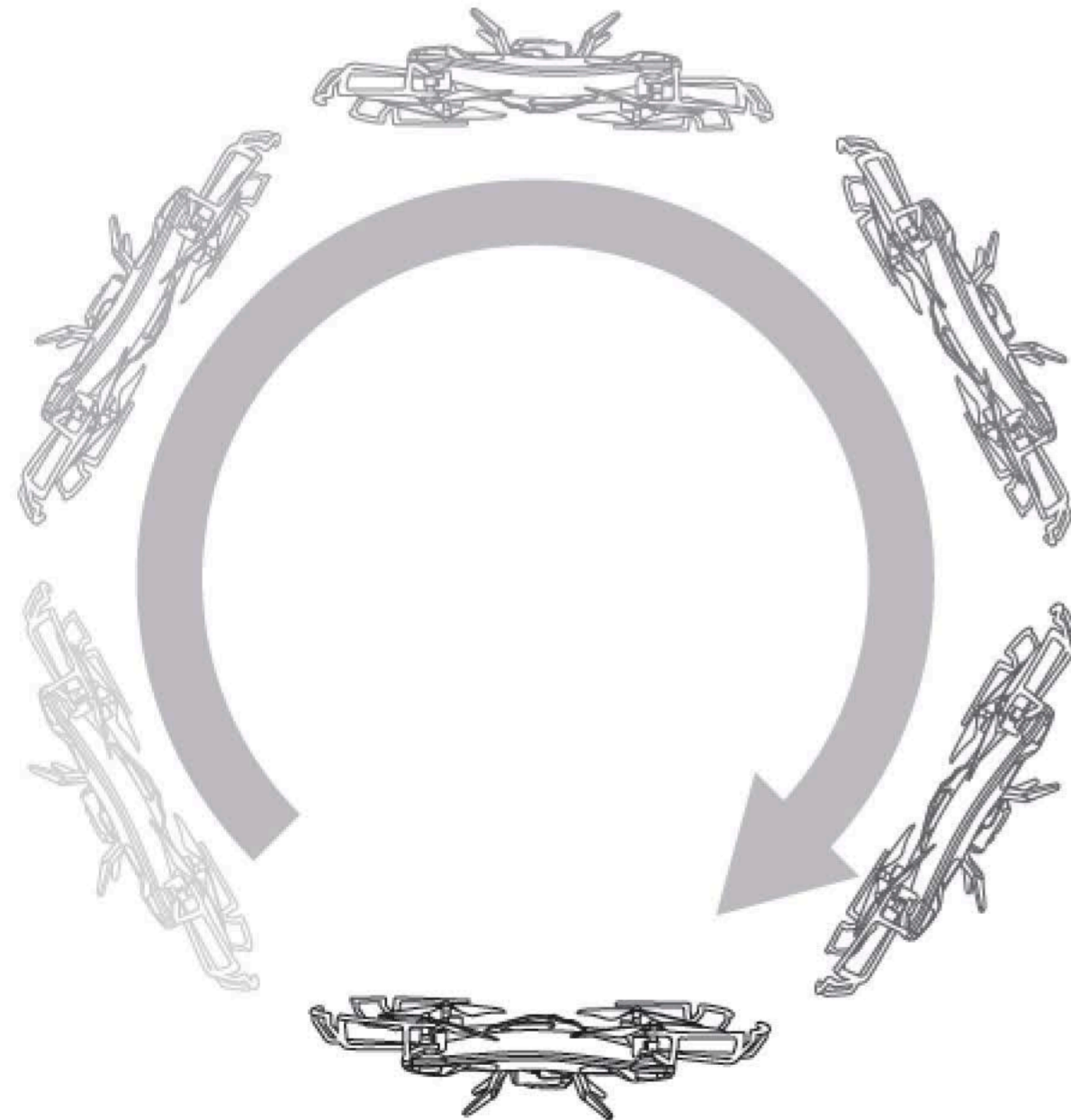
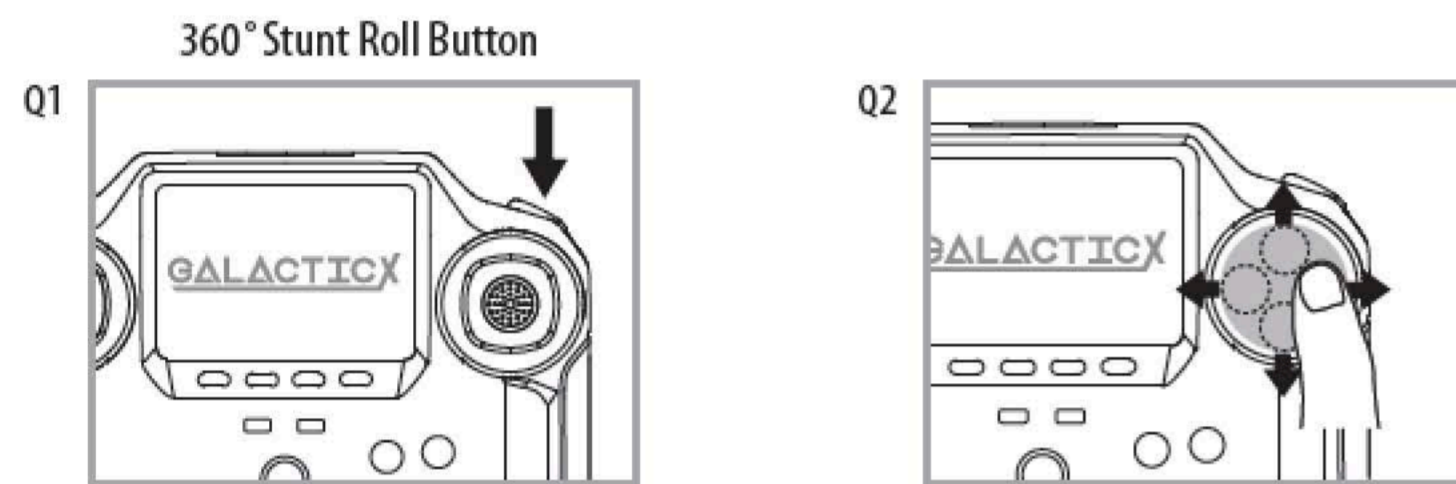
P

## HOW TO PERFORM 360° STUNT ROLLS

Performing 360° stunt rolls with the Galactic X is as easy as 1-2-3:

1. Hover the Galactic X in still position making sure that you have at least 5 feet of clearance above and below the quadcopter.
2. Press and release the 360° stunt button and you will enter the stunt roll mode which is indicated by a continuous beeping (see diagram Q1).
3. Determine which direction you want it to flip and quickly push the right control stick in the direction you want to flip your Galactic X (see diagram Q2). You have 4 choices a) Forward Roll, b) Backwards roll, c) Right side roll, d) Left side roll.
4. To exit the Stunt Roll mode, simply Press and release the button again.

Note: Stunt roll is only for high speed level. After stunt roll, your drone may descend or ascend from the original height. Just move your throttle up or down a bit to balance out.



## LIVE VIDEO STREAMING

Your Galactic X comes equipped with an onboard digital camera that takes both video and still photographs to your mobile devices. Now you can have hours of fun creating aerial photography and videos for family and friends.

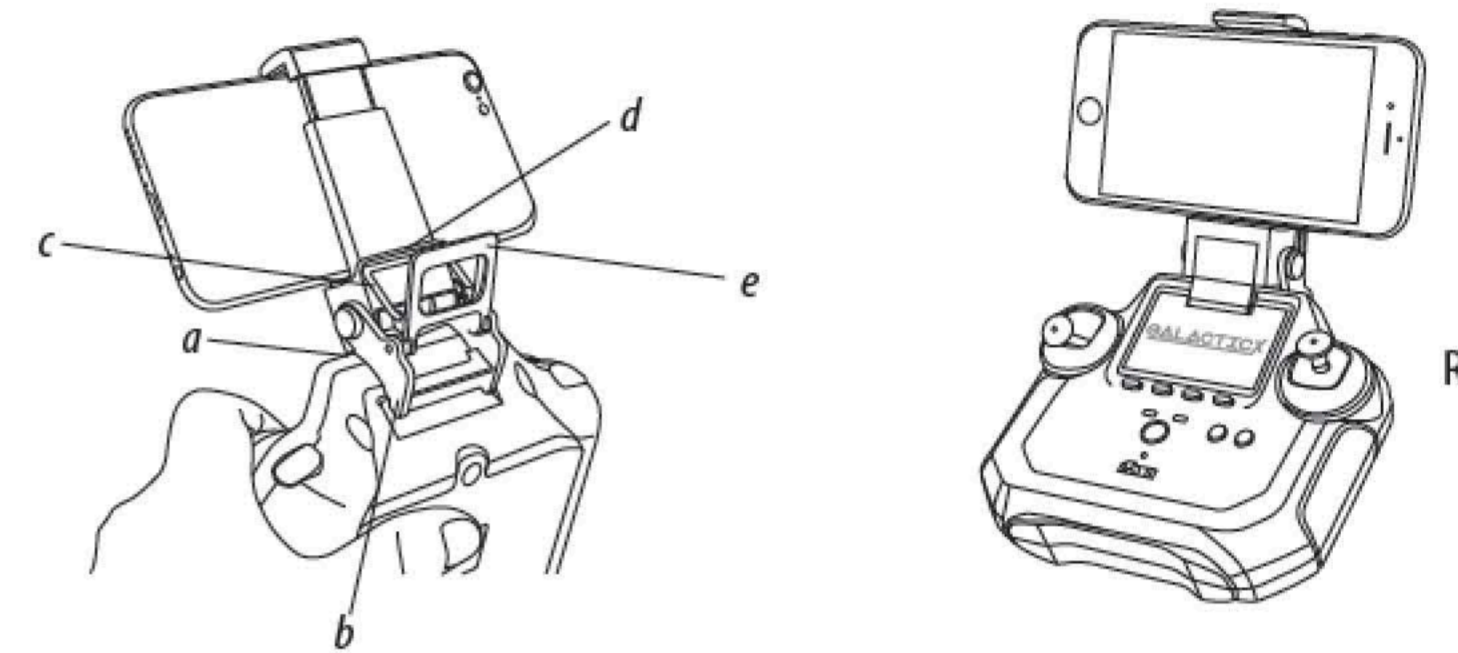
### WHAT YOU WILL NEED TO GET STARTED USING YOUR CAMERA

1. One Apple or Android phone\* (not included)
2. Propel Galactic X APP installed (app store or Android market available)

### PHONE HOLDER AND PHONE INSTALLATION

Put the phone holder hook (a) and Hook (b) to the slots on the top of the controller, see the illustration below, position the metal lock (c) to the bottom of the bar (d). Push the locker (e) to tighten the phone holder.

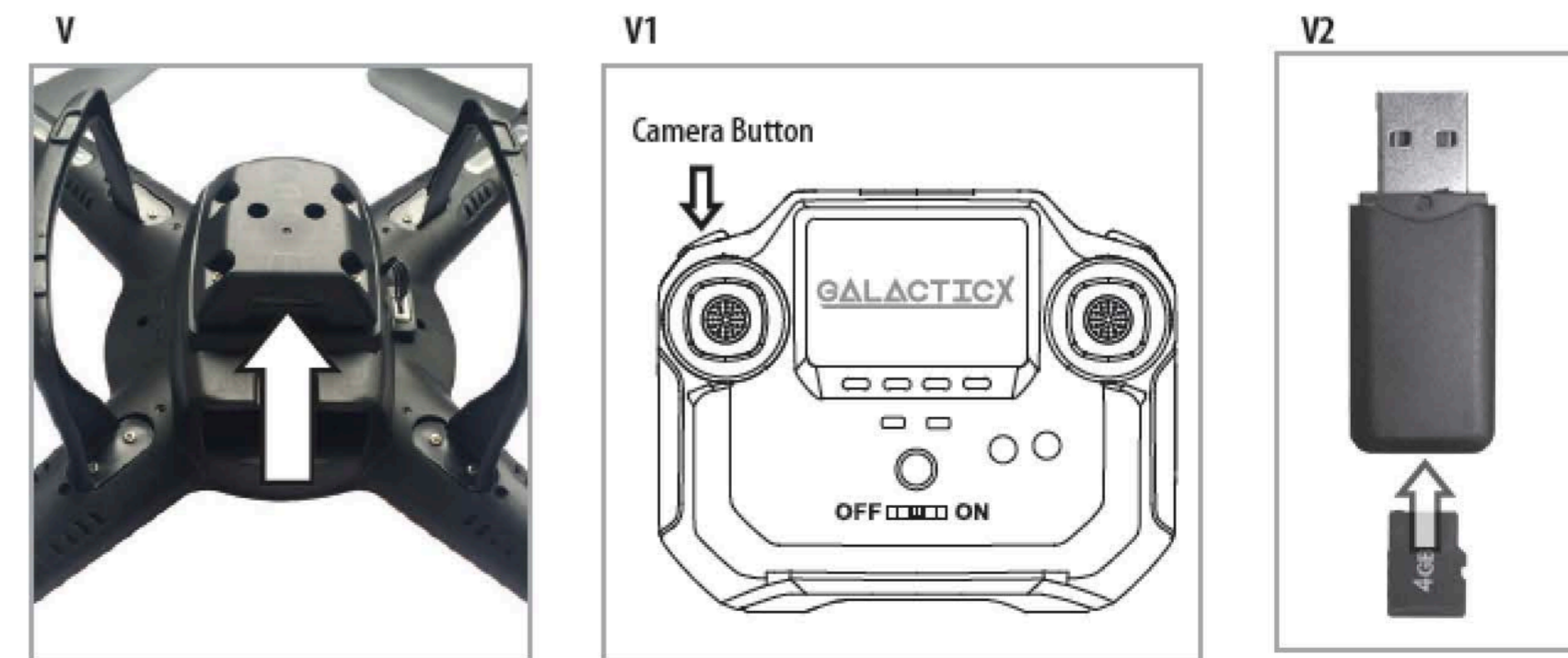
When you install the phone holder correctly you can use it to hold your phone (see diagram R).



## OPERATING THE CAMERA

You can take in-flight photos or video with your Galactic X on board camera.

1. Ensure that the camera module is securely attached and locked onto the copter. Carefully insert a micro SDHC card with a speed class of 6 or higher (not included) into the slot on the rear of the camera module. Push in gently until you hear and feel a click. Now you are ready to use the camera.
2. To take still pictures, short press the camera button. The indicating LED light will flash one time.
3. To take video footage, hold down the camera button on the remote for a few seconds (see diagram V1). You will hear a long beep and the indicating LED lights will start flashing. To stop video footage simply short press the button again.
4. After turning the Power Off on the copter, you may now remove the microSDHC card from the Galactic X by gently pushing on the back of the card until you hear and feel a slight click. You may use the included USB card reader to connect it to a computer and retrieve your pictures and video footage.



## PROPEL GALACTIC X WiFi APP INSTALLATION

1. Make sure you are using a compatible Android™ or Apple® iOS device.
2. Make sure your device has access to the internet.
3. For Apple® iOS devices, within the App Store, search and select "Propel Galactic X WiFi". Hit the Install button and the "Propel Galactic X WiFi" App should download and install automatically.
4. For Android™ OS devices, visit the Google Play store and search for "Propel Galactic X WiFi". Selecting the "Propel Galactic X WiFi" App will download the App and automatically install it on your device.
5. After the "Propel Galactic X WiFi" App is installed, it should create an icon on your screen. Click the "Propel Galactic X WiFi" icon to run the App to make sure that it has installed correctly on your device. If not, please delete and repeat the process again.

## PAIRING GALACTIC X TO YOUR COMPATIBLE DEVICE

1. After completely charging your Galactic X battery, install the battery to your Galactic X (refer to the user manual).
2. In the Settings menu of your device, locate the Wi-Fi option.
3. Turn ON the Wi-Fi option.
4. Select "Propel Galactic X" from the Wi-Fi list. Wait for your Galactic X to be connected. Return to the Main Menu.



Propel Galactic X WiFi

Note: Apple® devices require the use of iOS 7.0 or higher.  
 ANDROID™ devices require the use of OS 4.2.2 or higher.

## QUICK START

1. When you install the App correctly and have paired to the drone successfully, you can hit the "PPL Galactic X wifi" App icon. Tap "START" on the bottom right hand side of the screen. You should see the real-time video from your Galactic X's camera.
2. This App allows you to control your Galactic X to take photo or record video by your mobile device.  
 Note: all the photos and videos will be stored in your mobile device, you can review the photos and videos on your mobile device by using this App.

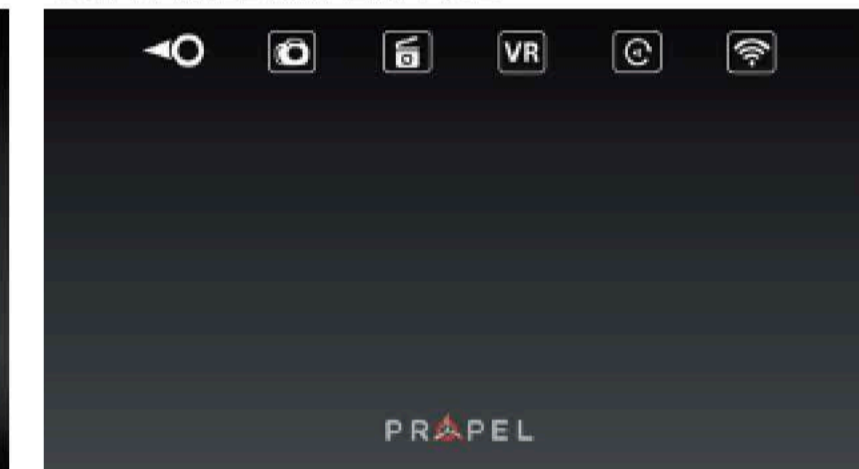
## DETAILED APP OVERVIEW

3. Please see images below for a detailed App overview. This overview is also available under the "HELP" icon in the home screen of the App.

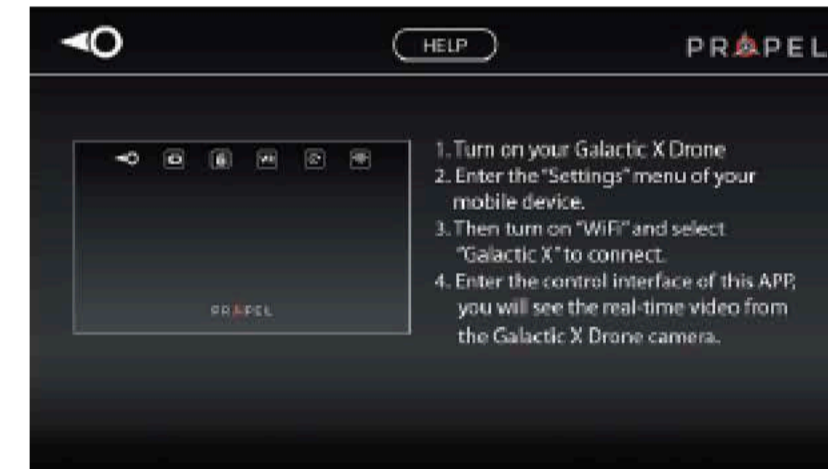
### HOME PAGE



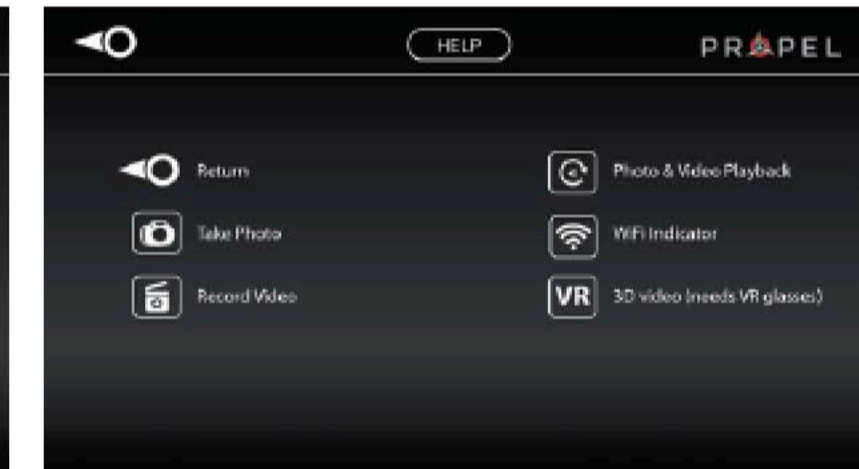
### CONTROL INTERFACE



### HELP PAGE 1



### HELP PAGE 2



4. If you're still encountering difficulties please contact our customer service department at +1.949.566.9573.

**IMPORTANT NOTICE :** You can not take photos and videos at the same time. When you are in video mode your camera/ photo button is disabled. If you want to take photos you must first exit video mode.

## TROUBLESHOOTING YOUR Galactic X

PROBLEM	POSSIBLE CAUSE	POSSIBLE SOLUTION
No Power	1. Power switched off 2. Polarity is reversed  3. Batteries may be low or in need of charging	1. Switch the ON/OFF switch to ON 2. Make sure all batteries are installed correctly (see diagram A on pg.2) 3. Replace batteries
Drone Not Responding	1. Remote is switched off 2. battery power in remote is too weak 3. The remote is not properly synced 4. Out of control range	1. Switch the ON/OFF switch to ON 2. Change batteries in remote. 3. Re-sync the remote 4. Do not fly beyond 500 feet
Drone Won't lift off	1. Rotor speed too slow 2. Drone not fully charged 3. Obstruction of rotors	1. Push throttle lever forward 2. Recharge your Galactic X 3. Check rotors for hair or other obstructions
Drone Descends Too Fast	Moving the throttle down too quickly flying in high wind or bad weather	Control the throttle slower, use auto land feature, Do not fly in bad weather

If you continue to encounter problems call our customers service line at (949) 566-9573 Ext 1 for assistance.

### REPLACING THE PROPELLER BLADES

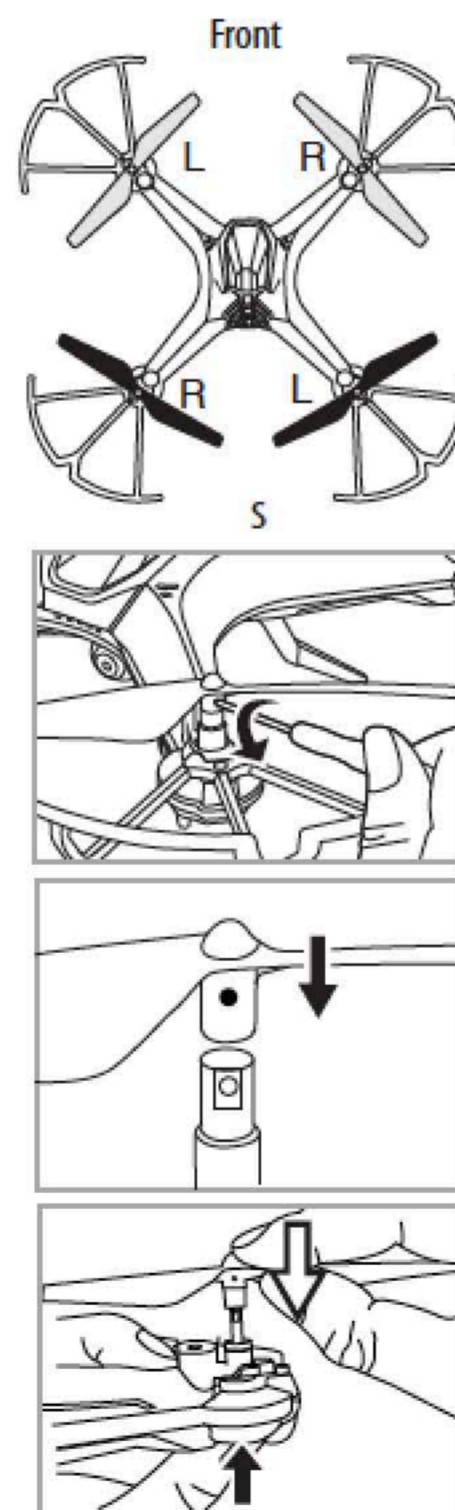
Your Galactic X's propeller system is a precision instrument that may need repair or replacement from time to time for optimal flight function. Crash landing at high-speed may cause damage to your Galactic X's propellers.

1. The Galactic X has four blades, each marked with an indication letter(see the diagram S).
2. When replacing the propeller blades, make sure to match to the indication letter on the blade to the one on the drone body.
3. Unscrew from the side, then pull out the damaged one from the top.
4. Install the correct one, make sure to line up the hole on the propeller to the one on the motor shaft.

Gray Blade Front Left = L  
Gray Blade Front Right = R

Black Blade Back Left = R  
Black Blade Back Right = L

**NOTE :** When install the new propeller, hold against the bottom of motor shaft so the propeller can go all the way into the position.



### Galactic X WARNING:

The Galactic X is designed for OUTDOOR use. The Galactic X's blades revolve at high speeds and can cause damage to the user, spectators and animals. Stand away from the Galactic X to reduce the risk of getting into the flight path. Warn spectators that you will be flying your Galactic X so that they are aware of its position. Before flight, inspect the rotor blades to make certain that the blades are securely fastened to the Galactic X.

#### WARNING!

- Choking/Cutting Hazard. Small Parts/Sharp Rotor Blades.
- Keep hands, hair and loose clothing away from the propeller when the power switch is turned to the ON position.
- Turn off the transmitter and Galactic X power switches when not in use.
- The included charger is built specifically for the Galactic X Li-Poly battery. Do not use it to charge any other battery.
- New alkaline batteries are recommended for maximum performance.
- Parental supervision recommended when flying Galactic X.

### BATTERY WARNINGS

#### RECHARGEABLE BATTERY:

This Galactic X uses a Li-Poly rechargeable battery. If battery no longer stays charged, dispose of battery properly according to local disposal requirements.

#### CONTROLLER BATTERIES:

Remote control requires 6 "AA" batteries (not included). Please read the important battery safety warning below.

- Do not mix alkaline, standard (carbon-zinc) and rechargeable batteries (Nickel Metal Hydride).
- Do not mix old and new batteries.
- Non-rechargeable batteries are not to be recharged.
- Rechargeable batteries are to be removed from the item before being charged (if removable).
- Rechargeable batteries are only to be charged under adult supervision.
- Exhausted batteries should be removed immediately and must be recycled or disposed of properly according to state or local government ordinances and regulations.
- The supply terminals are not to be short-circuited.
- Only batteries of the same or equivalent type as recommended are to be used.
- Batteries are to be inserted with the correct polarity (see inside booklet for diagram).
- Do not dispose batteries in a fire - batteries may leak or explode.

### CARE AND MAINTENANCE

- Always remove the batteries from the wireless remote control when it is not being used for an extended period of time.
- To clean, gently wipe the remote control and Galactic X with a clean damp cloth.
- Keep the toy away from direct heat or sunlight.
- Do not submerge the toy into water. This can damage the unit beyond repair.
- Parental guidance recommended when installing or replacing the batteries.