

ATOMIC

**Quick
Set-Up Guide**

***Thomson: WHP140
RF8398 (900MHz)***

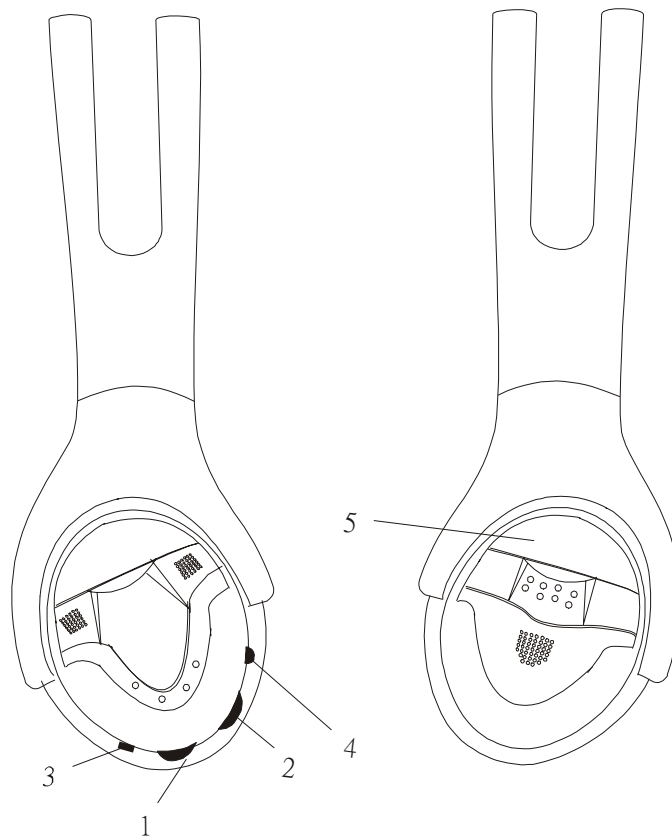
Manual Tuning Headphones

Congratulations on the purchase of **WHP140** (912-913MHz) Stereo RF Wireless Headphones! (Manual Tuning) Please check the supplied component against the following list:

- 1 x Transmitter (built-in 3.5mm stereo audio cord)
- 1 x Headphones
- 1 x Power Supply (AC/DC 12V 200mA Adaptor for Transmitter)
- 1 x 3.5mm Y-connection Cord

FUNCTION KEYS

HEADPHONES



- (1) Channel Tuning Knob
- (2) Volume Control Knob
- (3) Power ON/OFF Switch
- (4) Dual Color LED Indicator
- (5) Battery Compartment

TRANSMITTER

Transmitter Upper Surface:

(6) Power LED Indicator

Transmitter Bottom:

(7) Channel Tuning Knob

Transmitter Rear Side:

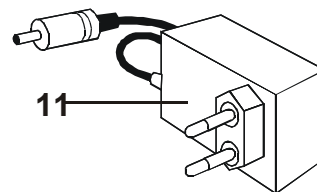
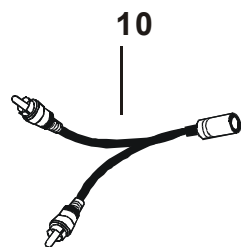
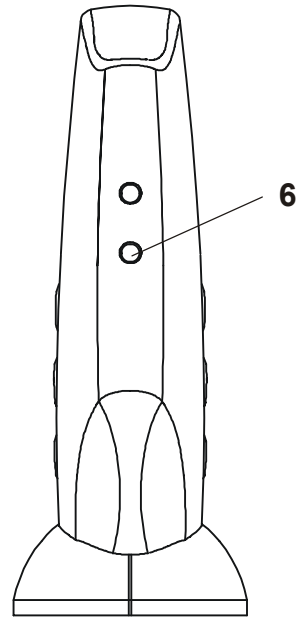
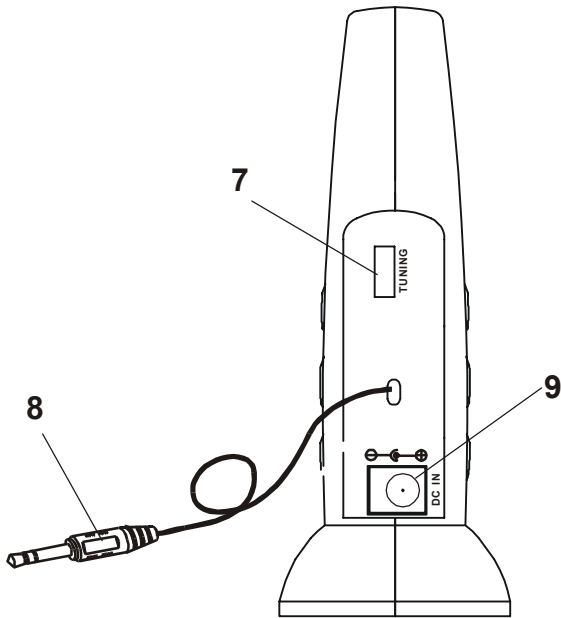
(8) Built-in 3.5mm Stereo audio cord

(9) DC IN Socket

ACCESSORIES

(10) 3.5mm Y-connection Cord

(11) AC/DC Adaptor



INSTALLATION

Please follow this quick set-up guide to ensure trouble free installation of your headphones.

Step 1:

Connect the built-in 3.5mm Stereo Audio Cord to the audio output socket of your audio source, e.g. TV, HiFi, CD, DVD player etc.

**** If your audio source has 2 RCA output sockets (red and white in color), use the 90mm Y-connection Cord (10) for connection, if necessary.*

Step 2:

Connect one end of the AC/DC Adaptor (11) to the DC IN Socket (9) at the rear side of the transmitter, and the other end to the main electric wall outlet.

Step 3:

The transmitter will be automatically ON when there is audio signal from the audio source (please make sure that the transmitter is powered on by the AC/DC Adaptor). Then the Power LED Indicator (6) will glow RED to confirm that the transmitter is ready for operation. Place the transmitter on a dry, cool place preferably above head level.

**** The transmitter has auto-cut-off function. When there is no audio signal for a prolonged period, the power of the transmitter will be automatically cut off. You will then hear a little noise from the headset.*

Step 4:

Insert 2 pieces AA size batteries into the Battery Compartment (5) at the Left hand side of the headphones and make sure that they are inserted in the correct way. Then replace the battery cover, and switch the headphones ON (3).

Step 5:

Switch on your music device (TV, HiFi, CD, DVD etc.) and start your media playing.

Step 6:

Tune the channel Tuning Knob (1) once until the Dual Color LED Indicator (4) of the headphones changes from RED to GREEN and then you can hear a good quality sound. Adjust the Volume Control Knob (2) to a comfortable sound level.

TROUBLE SHOOTING GUIDE

If you encounter any trouble in setting up the Headphones, please check the following points:

(1) Distorted sound quality or unclear sound:

- ~ Check if the sound of your audio source is distorted and whether the volume control is tuned to the suitable level.
- ~ Make sure that your audio equipment, the transmitter and headphones are powered and switched ON. If the batteries in the headphones have insufficient power, replace fresh ones.
- ~ Check if you have selected the best channel, Adjust the channel Tuning Knob(1) once again to check.
- ~ Make sure that your audio equipment, the transmitter and headphones are properly connected.

(2) No Sound from the headphones:

- ~ Check if the batteries are inserted properly into the battery compartment and whether the headphones is switched ON.
- ~ Check if the batteries in the headphones have sufficient power. Replace fresh ones if necessary.
- ~ Check if the transmitter is properly connected and powered on with the AC/DC Adaptor (the Power LED Indicator (6) should glow RED).
- ~ Check if all the connection cords are properly connected.
- ~ Check if the distance between the headphones and transmitter are within the effective range. (The effective range of the device is approx. 50M in open area.) Place the headphones closer to the transmitter.

(3) Mono Sound:

- ~ Check if the audio source is mono only, use stereo audio source.

(4) Interference:

- ~ At the bottom side of the transmitter, there is Channel Tuning Knob (7), select a different Frequency and Turn the channel tuning knob (1) once again Until the Dual Color LED Indicator (4) glow GREEN showing that the channel has been properly tuned.

(5) Power auto-cut-off:

- ~ The transmitter has auto-cut-off function. When there is no audio signal for a prolonged period, the power of the transmitter will be automatically cut-off. You will then hear a little noise from the headset. You just need to switch on the audio sources again and Turn the channel tuning knob (1) again, if necessary, until the Dual Color LED Indicator (4) glows GREEN. Then you can listen the good quality sound again.

Warning: Changes or modifications to this unit not expressly approved by the party responsible for compliance could void the user's authority to operate the equipment.

NOTE : This equipment has been tested and found to comply with the limits for a Class B digital device, pursuant to Part 15 of the FCC Rules. These limits are designed to provide reasonable protection against harmful interference in a residential installation. This equipment generates, uses and can radiate radio frequency energy and, if not installed and used in accordance with the instructions, may cause harmful interference to radio communications.

However, there is no guarantee that interference will not occur in a particular installation. If this equipment does cause harmful interference to radio or television reception which can be determined by turning the equipment off and on, the user is encouraged to try to correct the interference by one or more of the following measures.

- ***Reorient or relocate the receiving antenna.***
- ***Increase the separation between the equipment and receiver.***
- ***Connect the equipment in to an outlet on a circuit different from that to which the receiver is needed.***
- ***Consult the dealer or an experienced radio/TV technician for help.***

If you still have problem after checking the above points, please contact your customer service. Do not try to loosen the screws of the products to fix the problem.

All the above are subject to our final change without further notice.

Copyright by Atom Industrial Ltd. 2002

SPECIFICATION

Model	WHP140 (900MHz) RF8398
Description	Radio Frequency (UHF) Wireless Headphones System (Power Auto Cut Off/ Dual Color LED Indicator)
<u>Transmitter</u>	
Carrier Frequency	912-913 MHz
Effective Range	50 meters
Power Supply	AC/DC 12V 200mA adaptor
<u>Headphones</u>	
Frequency Responses	20 - 20,000 Hz
Signal to Noise Ratio	50dB
Distortion	<1%
Channel Separation	30dB
Power Supply	2 x 1.5V AA size normal batteries (Optional)
System Included	1 x Transmitter (built-in 3.5mm stereo audio cord) 1 x Headphones 1 x AC/DC adaptor for transmitter 1 x Y-connection Cord