

User Manual
Wireless Headphones

Manuel de l'utilisateur
Casque sans fil

E
N

F
R

Introduction

Thank you for purchasing this Audio-Technica product.

Before using the product, read through this user manual to ensure that you will use the product correctly.

Please keep this manual for future reference.

Safety precautions

Cautions for the product

Read these cautions before using the product.

To ensure safety, observe all warnings and cautions while using the product.

- Do not use the product near medical equipment. Radio waves may affect cardiac pacemakers and medical electronic equipment. Do not use the product inside medical facilities.
- When using the product in aircraft, follow airline instructions.
- Do not use the product near automatic control devices such as automatic doors and fire alarms. Radio waves may affect electronic equipment and cause accidents due to malfunction.
- Do not disassemble, modify or attempt to repair the product to avoid electric shock, malfunction or fire.
- Do not subject the product to strong impact to avoid electric shock, malfunction or fire.
- Do not handle the product with wet hands to avoid electric shock or injury.
- Disconnect the product from a device if the product begins to malfunction, producing smoke, odor, heat, unwanted noise or showing other signs of damage. In such a case, contact your local Audio-Technica dealer.
- Do not allow the product to get wet to avoid electric shock or malfunction.
- Do not put foreign matter such as combustible materials, metal, or liquid in the product.
- Do not cover the product with a cloth to avoid fire or injury by overheating.
- Follow applicable laws regarding mobile phone and headphone use if using headphones while driving.
- Do not use the product in places where the inability to hear ambient sound presents a serious risk (such as at railroad crossings, train stations, and construction sites).
- To prevent damage to your hearing, do not raise the volume too high. Listening to loud sound for an extended period may cause temporary or permanent hearing loss.
- Store the eartips out of the reach of small children.
- Discontinue use if skin irritation results from direct contact with the product.
- If you begin to feel unwell while using the product, discontinue use immediately.
- When removing the product from your ears, check to make sure the eartips are still attached to the main unit. If the eartips become lodged in your ears and you are unable to remove them, consult a physician at once.

Safety precautions

Cautions for rechargeable battery

The product is equipped with a rechargeable battery (lithium polymer battery).

- If battery fluid gets into eyes, do not rub them. Rinse thoroughly with clean water such as tap water and consult a doctor immediately.
- If battery fluid leaks, do not touch fluid with bare hands. If fluid remains inside the product, it may cause malfunction. If battery fluid leaks, contact your local Audio-Technica dealer.
 - If fluid gets in your mouth, gargle thoroughly with clean water such as tap water and consult a doctor immediately.
 - If your skin or clothing comes in contact with fluid, immediately wash the affected skin or clothing with water. If you experience skin irritation, consult a doctor.
- Never heat, disassemble or modify the battery, nor dispose of it in a fire to avoid leakage, generation of heat or explosion.
- Do not attempt to pierce with a nail, hit with a hammer or step on the battery to avoid generation of heat, damage or ignition.
- Do not drop the product or subject it to strong impact to avoid leakage, generation of heat or explosion.
- Do not get the battery wet to avoid generation of heat, explosion or ignition.
- Do not use, leave or store the battery in the following places:
 - Area exposed to direct sunlight or high temperatures and humidity
 - Inside of a car under the blazing sun
 - Near heat sources such as heat registers
- Charge only with the included USB cable to avoid malfunction or fire.
- After using the device, be sure to switch it off. Leakage often occurs due to battery drain caused by a failure to switch off device.
- The internal rechargeable battery of this product cannot be replaced by the user. The battery may have reached the end of its service life if the usage time becomes significantly shorter even after the battery has been fully charged. If this is the case, the battery needs to be repaired. Contact your local Audio-Technica dealer for repair details.
- When the product is disposed of, the built-in rechargeable battery needs to be discarded properly. Contact your local Audio-Technica dealer to learn how to properly dispose of the battery.

For customers in the USA

FCC Notice

Warning

This device complies with Part 15 of the FCC Rules.

Operation is subject to the following two conditions: (1)

This device may not cause harmful interference, and (2) this device must accept any interference received, including interference that may cause undesired operation.

Caution

You are cautioned that any changes or modifications not expressly approved in this manual could void your authority to operate this equipment.

Note: This equipment has been tested and found to comply with the limits for a Class B digital device, pursuant to part 15 of the FCC Rules. These limits are designed to provide reasonable protection against harmful interference in a residential installation. This equipment generates, uses and can radiate radio frequency energy and, if not installed and used in accordance with the instructions, may cause harmful interference to radio communications. However, there is no guarantee that interference will not occur in a particular installation. If this equipment does cause harmful interference to radio or television reception, which can be determined by turning the equipment off and on, the user is encouraged to try to correct the interference by one or more of the following measures:

- Reorient or relocate the receiving antenna.
- Increase the separation between the equipment and receiver.
- Connect the equipment to an outlet on a circuit different from that to which the receiver is connected.

- Consult the dealer or an experienced radio/TV technician for help.

RF Exposure Statement

This transmitter must not be co-located or operated in conjunction with any other antenna or transmitter used in other systems. This device complies with FCC radiation exposure limits set forth for an uncontrolled environment and meets the FCC radio frequency (RF) Exposure Guidelines. This equipment has very low levels of RF energy that is deemed to comply without testing of specific absorption rate (SAR).

For customers in Canada

IC statement

CAN ICES-3 (B)/NMB-3(B)

This device complies with INDUSTRY CANADA R.S.S. 247.

Operation is subject to the following conditions: (1) This device may not cause harmful interference, and (2) this device must accept any interference received, including interference which may cause undesired operation.

Under Industry Canada regulations, this radio transmitter may only operate using an antenna of a type and maximum (or lesser) gain approved for the transmitter by Industry Canada.

To reduce potential radio interference to other users, the antenna type and its gain should be so chosen that the equivalent isotropically radiated power (e.i.r.p.) is not more than that necessary for successful communication.

This device complies with RSS-102 radiation exposure limits set forth for an uncontrolled environment.

Notes on use

- Be sure to read the connected device's user manual before use.
- Audio-Technica will not be liable in any way for any loss of data in the unlikely event that such losses should occur while using the product.
- On public transportation or in other public places, keep the volume low so as not to disturb other people.
- Minimize the volume on your device before connecting the product.
- When using the product in a dry environment, you may feel a tingling sensation in your ears. This is caused by static electricity accumulated on your body, not by product malfunction.
- Do not subject the product to strong impact.
- Do not store the product in direct sunlight, near heating devices, or in hot, humid, or dusty places. Additionally, do not allow the product to get wet.
- When the product is used for a long time, the product may become discolored due to ultraviolet light (especially direct sunlight) and wear.
- If the product is placed in a bag or pocket while the USB charging cable is still connected, the USB charging cable may become caught, severed, or broken.
- Make sure to hold the plug when connecting and disconnecting the USB charging cable. The USB charging cable may become severed or an accident may occur if you pull on the cable itself.
- When you are not using the USB charging cable, disconnect it from the product.
- When you are not using the product, store it in the included pouch.
- This product can be used to talk on the phone only when using a mobile telephone network. Support for telephony apps that use a mobile data network is not guaranteed.
- If you use the product near an electronic device or transmitter (such as a mobile phone), unwanted noise may be heard. In this case, move the product away from the electronic device or transmitter.
- If you use the product near a TV or radio antenna, noise may be seen or heard in the television or radio signal. In this case, move the product away from the TV or radio antenna.
- To protect the built-in rechargeable battery, charge it at least once every 6 months. If too much time passes between charges, the life of the rechargeable battery may be reduced, or the rechargeable battery may no longer be able to be charged.

Part names and functions

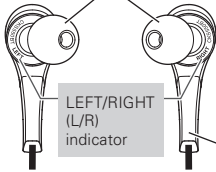
Headphones

Housing



The left bushing has a protruding part.

Eartips



LEFT/RIGHT (L/R) indicator

Bushing

Bluetooth® and NFC transmitter/receiver

N-Mark

Shows the location for detecting NFC.



Battery jack

Connect the included USB charging cable to charge.

Remote control with mic

Control button

Use to play/pause music and videos and answer/end phone calls.

Volume button (-)

Use to turn the volume down.

Volume button (+)

Use to turn the volume up.

Indicator lamp

Displays the operating status of the product.

Power switch

Turns the power on/off.

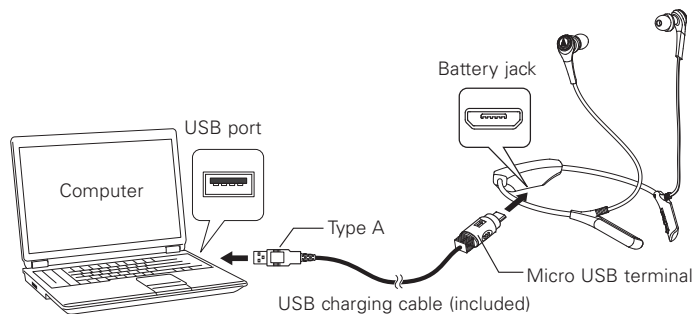
Microphone

Use to make a phone call.

Charging the battery

- Fully charge the battery when using for the first time.
- When the rechargeable battery is running low, the product will sound 2 sets of 2 beeps through the headphones, and the indicator lamp will flash in red. When these beeps sound, charge the battery.
- It takes about 3 hours to charge the battery fully. (This time may vary depending on usage conditions.)
- While the battery is charging, the product's *Bluetooth* connection remains disabled and therefore the product cannot be used.

1. Open the battery jack cover.
2. Connect the USB charging cable (micro USB terminal side) to the battery jack.



3. Connect the USB charging cable (Type A side) to the computer to start charging.
 - You can also use a USB-compatible AC adapter (sold separately) to charge the battery by using a power outlet.
4. During charging, the indicator lamp lights as follows:
 - Lit in red : Charging
 - Lit in blue : Charging complete
5. When charging is complete, disconnect the USB charging cable (Type A side) from the computer.
6. Disconnect the USB charging cable (micro USB terminal side) from the battery jack and close the cover firmly.

Connecting via *Bluetooth* wireless technology

About pairing

To connect the product to a *Bluetooth* device, the product needs to pair (register) with the device. Once they are paired, you do not need to pair them again.

However, you will need to pair again in the following cases:

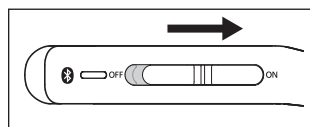
- If the product is deleted from the *Bluetooth* device's connection history.
- If the product is sent out for repair.
- If the product is paired with 9 devices or more.

(The product can be paired with up to 8 devices. When you pair with a new device after pairing with 8 devices, pairing information for the device with the oldest connection date will be overwritten by the information for the new device.)

Pairing a *Bluetooth* device

- Read the user manual for the *Bluetooth* device.
- Place the device within 1 m (3.3') of the product to perform pairing correctly.
- To confirm the progress of the pairing process, wear the product while performing this procedure and listen for sound.

1. Starting with the product turned off, slide the power switch to the "ON" position.



- The indicator lamp will light in blue, and then flash in red and blue.
- If wearing the product, you will hear a beep indicating the pairing process has begun.

2. Use your *Bluetooth* device to begin the pairing process and search for the product.

- For information about using your *Bluetooth* device, refer to the device's user manual.

3. When your *Bluetooth* device finds the product, "ATH-CKS550BT" will be displayed on the device.

Select "**ATH-CKS550BT**":

- Some devices may ask for a passkey. In this case, enter "0000".
- The passkey may also be called a passcode, PIN code, PIN number, or password.
- The product beeps when pairing is complete.



Connecting via *Bluetooth* wireless technology

Using NFC when pairing

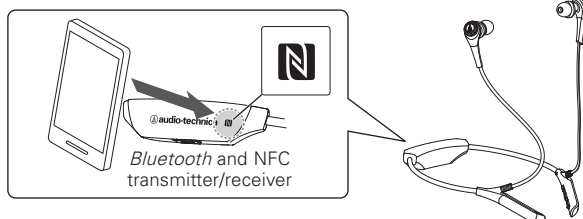
NFC (Near Field Communication) is a technology that allows for short-range wireless communication between various devices, such as mobile phones and IC tags. It allows two devices to communicate when you simply touch them to each other. You can use NFC to pair your *Bluetooth* device with this product.

Compatible devices : NFC-compatible *Bluetooth* devices

Compatible OS : Android

Pairing an NFC-compatible *Bluetooth* device

1. Prepare your NFC-compatible *Bluetooth* device.
 - Refer to your NFC-compatible *Bluetooth* device's user manual as necessary.
2. Starting with the product turned off, slide the power switch to the "ON" position.
3. Touch your NFC-compatible *Bluetooth* device to the product to begin pairing.
 - Touch your NFC-compatible *Bluetooth* device to the N-Mark on the product.
 - For the location of your NFC-compatible *Bluetooth* device's NFC antenna, refer to the device's user manual.
 - Follow the instructions displayed on your NFC-compatible *Bluetooth* device's screen and complete the pairing process.
 - The product beeps when pairing is complete.



Disconnecting a device

Touch your NFC-compatible *Bluetooth* device to the part just above the N-Mark on the product again to disconnect the product from your device.

Switching the device

- If the product is connected to a *Bluetooth* device and you then touch an NFC-compatible *Bluetooth* device to it, the product will connect to the second device.
- If you have an NFC-compatible *Bluetooth* device connected with the product and touch that device to another NFC-compatible *Bluetooth* device, the device will disconnect from the product and connect with the second NFC-compatible *Bluetooth* device.

Indicator lamp display

The indicator lamp of the product indicates the product's status as explained below.

Status		Indicator lamp display pattern	● Red	● Blue
Pairing	Searching for device			
Connection	Waiting to be connected			Flashing
	Connecting			
Battery level	Battery level low			
Charge	Charging			Lit
	Fully-charged			Lit

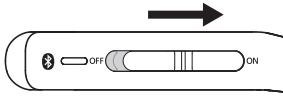
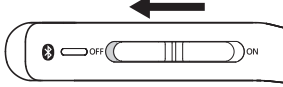
Using the product

The product can use *Bluetooth* wireless technology to connect to your device and play music, receive phone calls, etc. Use the product for whichever of these purposes suits your needs.

Note that Audio-Technica cannot guarantee compatible operation with connected *Bluetooth* devices.

Power supply

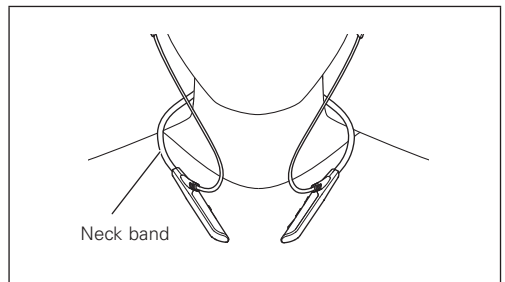
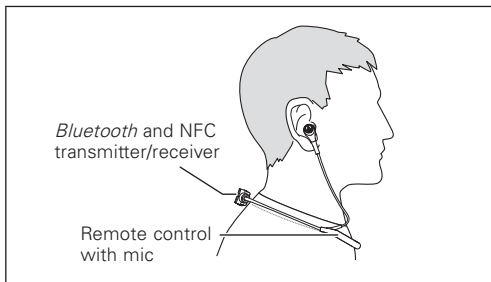
Slide the power switch to the ON or OFF position.

Power supply	Power switch operation	Indicator lamp
ON*1		Lights in blue, then flashes in red and blue*2
OFF*1		Lights in blue, then turns off

*1 You can hear a sound indicating the switching between on/off when wearing the product.

*2 It may take several seconds for the indicator lamp to light.

Wearing the product



- Insert the side of the product marked "LEFT" into the left ear and the side marked "RIGHT" into the right ear, and then adjust the ear tips.
- Wear the product so that the *Bluetooth* and NFC transmitter/receiver rests on your back.

- Adjust the width of the neck band for the most comfortable fit.

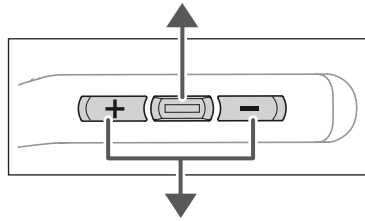
Using the product

Listening to audio

- To connect for the first time, pair the product and your device by using either the *Bluetooth* wireless technology or NFC. If you have already paired the product and your *Bluetooth* device, turn on the product and turn on your device's *Bluetooth* connection.
- Use your *Bluetooth* device to start playback, referring to the device's user manual as necessary. You can perform the following operations using the product.

Control button

Press	Play/pause	Plays or pauses music and video playback.* ¹
-------	-------------------	---



Volume buttons

+ button	Press	Volume up	Increases the volume by 1 level.* ²
	Press and hold (for about 2 seconds)	Skip forward	Plays the next track.* ¹
- button	Press	Volume down	Decreases the volume by 1 level.* ²
	Press and hold (for about 2 seconds)	Skip back	Plays the previous track.* ¹

*¹ Play and pause control may not be available for music and video playback on some smartphones.

*² A beep is heard each time you press the button. A low beep is heard when the volume is at the maximum or minimum level.

Using the product

Taking a phone call

- If your *Bluetooth* device supports telephone features, you can use the product to talk on the phone.
- When your *Bluetooth* device receives a phone call, the product sounds a ring tone.
- If a call is received while you are listening to music, music playback is paused. When you finish the call, music playback resumes.

When	Operation	Function
Receiving a call	Press the control button.	Answers the call.
	Press and hold the control button (for about 2 seconds).	Rejects the call.
Talking on a call	Press the control button.	Ends the call.
	Press and hold the control button (for about 2 seconds).*	Each time you press and hold the button (for about 2 seconds), you switch the call to your mobile phone or to the product.
	Press a volume button (+ or -).	Adjusts the volume of the call.

*When you hear a beep, release the button.

Other functions

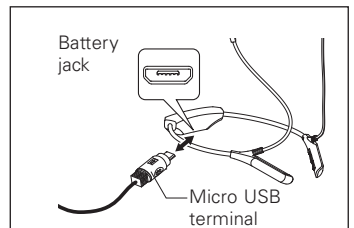
Auto power off function

The product automatically turns off after 5 minutes of not being connected to a device that has its power turned on.

Reset function

If the product does not work or other malfunctions occur, refer to “Charging the battery” and connect the USB charging cable. Make sure the cable is carrying power.

Disconnecting and then reconnecting the USB charging cable will reset the product and should resolve any problem you are experiencing. If the problem persists, please contact your local Audio-Technica dealer.



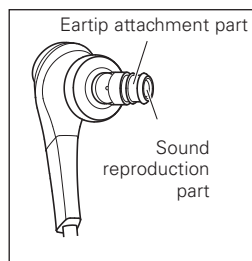
Cleaning

Get into the habit of regularly cleaning the product to ensure that it will last for a long time. Do not use alcohol, paint thinners or other solvents for cleaning purposes.

Headphones, remote control with mic, and *Bluetooth* and NFC transmitter/receiver

To clean, wipe with a dry cloth.

Natural oils from the skin are particularly likely to build up on the areas where the eartips attach to the headphones (see figure at right). If these areas are not cleaned, the eartips can become detached. Clean them regularly. Do not touch the areas where sound is produced, as they are delicate, and touching them could cause damage.



Cable and USB charging cable

Wipe away any perspiration or dirt with a dry cloth immediately after use.

Failure to clean the cable may cause it to deteriorate and harden over time, resulting in malfunction.

Eartips

Remove eartips from the headphones and clean them with a diluted mild detergent. After cleaning, dry before using again.

- If the product will not be used for an extended period of time, store it in a well-ventilated place free from high temperatures and humidity.

Eartips

Eartip size and position

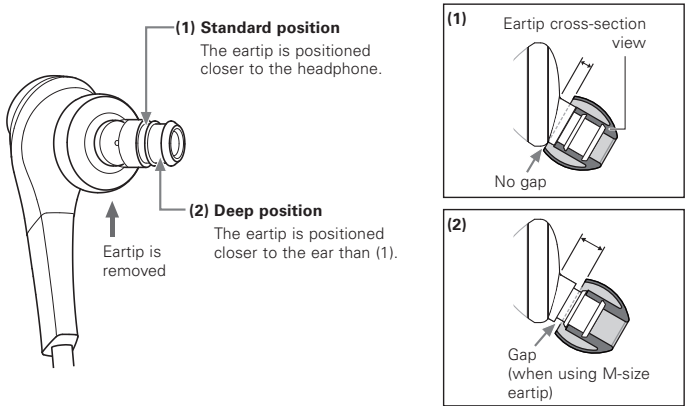
The product includes silicone eartips in 4 sizes (XS, S, M, and L). At the time of purchase, the M-size silicone eartips are attached in the standard position. The eartips can also be adjusted to 2 different positions.

To ensure the best sound quality, select the eartip size and position that is best suited for you, and adjust the eartips inside your ears for a snug fit. It may be difficult to hear bass sounds if the eartips do not fit snugly in your ears.

2-position post

You can set the eartips to either of 2 positions as desired.

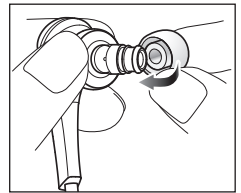
A snug fit prevents sound from escaping and improves the reproduction of low frequencies.



Replacing the eartips

Remove the old eartip and attach the new eartip by pushing it on to the headphone at an angle (see figure). Push firmly on the eartip so that the inside of the eartip expands, and push the eartip onto the post as far as it will go. Adjust the position to either of the 2 positions shown in the figure above and to the right.

- The eartips are designed to be difficult to remove, therefore the fit is very tight when attaching them.



- Periodically remove and clean the eartips as they become dirty easily. Using dirty eartips may cause the headphones themselves to become dirty, resulting in deteriorated sound quality.
- Eartips are consumable parts that degrade through storage and use. If the eartips are loose and easily removed or if they appear to have degraded, purchase replacements.
- When reattaching eartips that were previously removed, be sure to check that they are securely attached. Injury or illness may occur if the eartips become detached and are left inside the ear.

Troubleshooting

Problem	Solution
Power is not supplied.	<ul style="list-style-type: none">• Charge the product.
Unable to pair.	<ul style="list-style-type: none">• Devices that communicate using <i>Bluetooth</i> Ver. 4.1 or higher can be used with the product.• Place the product and the <i>Bluetooth</i> device within 1 m (3.3') of each other.• Set the profiles for the <i>Bluetooth</i> device. For procedures on how to set profiles, refer to the <i>Bluetooth</i> device's user manual.
No sound is heard / Sound is faint.	<ul style="list-style-type: none">• Turn on the power of the product and the <i>Bluetooth</i> device.• Turn up the volume of the product and the <i>Bluetooth</i> device.• If the <i>Bluetooth</i> device is set to the HFP/HSP connection, switch to the A2DP connection.• Remove obstacles between the product and the <i>Bluetooth</i> device and place them closer together.• Switch the output of the <i>Bluetooth</i> device to the <i>Bluetooth</i> connection.
Sound is distorted / Noise is heard / Sound cuts out.	<ul style="list-style-type: none">• Turn down the volume of the product and the <i>Bluetooth</i> device.• Keep microwaves and other devices such as wireless routers away from the product.• Keep TVs, radios, and devices with built-in tuners away from the product. These devices can also be affected by the product.• Turn off the equalizer settings of the <i>Bluetooth</i> device.• Remove obstacles between the product and the <i>Bluetooth</i> device and place them closer together.
Cannot hear the voice of the caller / Voice of the caller is too quiet.	<ul style="list-style-type: none">• Turn on the power of the product and the <i>Bluetooth</i> device.• Turn up the volume of the product and the <i>Bluetooth</i> device.• If the <i>Bluetooth</i> device is set to the A2DP connection, switch to the HFP/HSP connection.• Switch the output of the <i>Bluetooth</i> device to the <i>Bluetooth</i> connection.
Unable to pair using NFC.	<ul style="list-style-type: none">• Make sure your device is an NFC-compatible <i>Bluetooth</i> device.• Set your NFC-compatible <i>Bluetooth</i> device so that the NFC function can be used.• Touch the product to the correct location of your NFC-compatible <i>Bluetooth</i> device.• Depending on the NFC-compatible <i>Bluetooth</i> device you are using, the NFC sensitivity may not be strong enough to connect to the product with just one touch. In this case, refer to the NFC-compatible <i>Bluetooth</i> device's user manual.• Depending on the NFC-compatible <i>Bluetooth</i> device you are using, it may take some time to communicate via NFC. Keep the product and your NFC-compatible <i>Bluetooth</i> device touching until the connection is completed.• Remove your NFC-compatible <i>Bluetooth</i> device from its case so that it can communicate via NFC.
The product cannot be charged.	<ul style="list-style-type: none">• Securely connect the USB charging cable and charge the product.

- For details about how to operate your *Bluetooth* device, refer to the device's user manual.
- If the problem still remains, reset the product. To reset the product, refer to "Reset function" in "Other functions".

Specifications

Communication specifications

Communication system	Bluetooth version 4.1
Output	Bluetooth Specification Power Class 2
Maximum communication range	Line of sight - approx. 10 m (33')
Frequency band	2.4 GHz (2.402 GHz to 2.480 GHz)
Modulation method	FHSS
Supported Bluetooth profiles	A2DP, AVRCP, HFP, HSP
Supported codecs	SBC
Supported content protection method	SCMS-T

Headphones

Type	Dynamic
Driver	9.8 mm
Sensitivity	105 dB/mW
Frequency response	5 to 24,000 Hz
Transmission band	20 to 20,000 Hz
Impedance	16 ohms

Microphone

Type	Electret condenser
Polar pattern	Omnidirectional
Sensitivity	-44 dB (1 V/Pa, at 1 kHz)
Frequency response	50 to 4,000 Hz

Other

Power supply	DC 3.7 V lithium polymer battery
Charging time	Approx. 3 hours*
Operating time	Continuous transmission time (music playback): Up to approx. 5 hours* Continuous standby time: Up to approx. 200 hours*
Weight (without cable)	Approx. 32 g (1.1 oz)
Operating temperature	5°C to 40°C (41°F to 104°F)
Included accessories	Eartips (XS, S, M, L), USB charging cable (1.0 m (3.3'))
Sold separately	Eartips (ER-CK50XS, S, M, L)

* The above figures depend on operating conditions.

For product improvement, the product is subject to modification without notice.

- The *Bluetooth*® word mark and logos are owned by Bluetooth SIG, Inc. and any use of such marks by Audio-Technica Corporation is under license. All other trademarks are property of their respective owners.
- "AAC" logo is a trademark of Dolby Laboratories.
- Qualcomm is a trademark of Qualcomm Incorporated, registered in the United States and other countries, used with permission. aptX is a trademark of Qualcomm Technologies International, Ltd., registered in the United States and other countries, used with permission.
- The N-Mark is a trademark or registered trademark of NFC Forum, Inc. in the United States and in other countries.
- Android is a trademark of Google Inc.

Memo

Introduction

Nous vous remercions d'avoir choisi ce produit Audio-Technica.

Avant utilisation, merci de lire attentivement ce manuel pour vous assurer du bon usage du produit.

Veillez conserver ce manuel pour consultation ultérieure.

Consignes de sécurité

Mises en garde concernant le produit

Lisez ces mises en garde avant d'utiliser le produit.

Pour garantir la sécurité, respectez tous les avertissements et mises en garde lorsque vous utilisez le produit.

- N'utilisez pas le produit à proximité d'un équipement médical. Les ondes radio peuvent affecter les stimulateurs cardiaques et les appareils électroniques médicaux. N'utilisez pas le produit dans un établissement hospitalier.
- Si vous utilisez le produit dans un avion, conformez-vous aux instructions de la compagnie aérienne.
- N'utilisez pas le produit à proximité d'appareils à commande automatique, comme des portes automatiques ou des alarmes incendie. Les ondes radio peuvent affecter les appareils électroniques et provoquer des accidents suite à un dysfonctionnement.
- Ne démontez pas, ne modifiez pas ou n'essayez pas de réparer le produit pour éviter tout risque d'électrocution, de dysfonctionnement ou d'incendie.
- Ne soumettez pas le produit à un choc violent pour éviter tout risque d'électrocution, de dysfonctionnement ou d'incendie.
- Ne manipulez pas le produit avec les mains mouillées pour éviter tout risque d'électrocution ou de blessure.
- Déconnectez le produit s'il commence à présenter des dysfonctionnements, à émettre de la fumée, une odeur, de la chaleur, des bruits indésirables ou à présenter d'autres signes de dommage. Le cas échéant, prenez contact avec votre revendeur local Audio-Technica.
- Ne mouillez pas le produit pour éviter tout risque d'électrocution ou de dysfonctionnement.
- N'introduisez pas de corps étrangers comme des matériaux combustibles, du métal ou un liquide dans le produit.
- Ne recouvrez pas le produit avec un chiffon car cela entraîne un risque d'incendie ou de blessure suite à une surchauffe.
- Respectez les lois en vigueur concernant l'utilisation de téléphones mobiles et casques si vous utilisez le casque en conduisant.
- N'utilisez pas le produit dans des endroits où l'incapacité à entendre les sons ambiants présente un risque grave (tels qu'un passage à niveau, une gare ferroviaire et des chantiers).
- Pour éviter d'endommager votre ouïe, n'augmentez pas trop le volume. L'écoute prolongée de sons forts peut provoquer une perte auditive temporaire ou permanente.
- Rangez les embouts hors de la portée des petits enfants.
- Cessez d'utiliser le produit en cas d'irritation cutanée découlant d'un contact direct avec celui-ci.
- Si vous ressentez un quelconque inconfort lorsque vous utilisez le produit, cessez immédiatement de l'utiliser.
- Lorsque vous retirez le produit de vos oreilles, assurez-vous que les embouts sont bien rattachés à l'unité principale. Si les embouts restent coincés dans vos oreilles et que vous ne parvenez pas à les retirer, consultez immédiatement un médecin.

Consignes de sécurité

Mises en garde relative à la batterie rechargeable

Le produit est doté d'une batterie rechargeable (batterie Lithium-Polymère (LiPo)).

- Si le liquide de batterie pénètre dans vos yeux, ne les frottez pas. Rincez abondamment à l'eau claire, l'eau du robinet par exemple, et consultez immédiatement un médecin.
- En cas de fuite du liquide de batterie, ne le touchez pas les mains nues. Si le liquide reste à l'intérieur du produit, cela peut provoquer un dysfonctionnement. En cas de fuite du liquide de batterie, prenez contact avec votre revendeur local Audio-Technica.
 - Si le liquide pénètre dans votre bouche, rincez-vous abondamment la bouche à l'eau claire, l'eau du robinet par exemple, et consultez immédiatement un médecin.
 - Si le liquide entre en contact avec votre peau ou vos vêtements, lavez immédiatement la zone affectée avec de l'eau. En cas d'irritation cutanée, consultez un médecin.
- Ne jamais chauffer, démonter ou modifier la batterie, ni la jeter au feu car cela risque de causer une fuite, une génération de chaleur ou une explosion.
- N'essayez pas de percer la batterie avec un clou, de la frapper avec un marteau ou de marcher dessus car cela risque de causer une génération de chaleur, des dommages ou un incendie.
- Ne lâchez pas le produit, ni ne le soumettez à un choc violent car cela risque de causer une fuite, une génération de chaleur ou une explosion.
- Ne mouillez pas la batterie car cela risque de causer une génération de chaleur, des dommages ou un incendie.
- Abstenez-vous d'utiliser, laisser ou ranger la batterie dans les endroits suivants :
 - Zone exposée à un ensoleillement direct ou à des températures ou une humidité élevée(s)
 - À l'intérieur d'une voiture sous un soleil de plomb
 - Près de sources de chaleur ou d'appareils de chauffage
- La recharge ne doit être faite qu'avec le câble USB fourni pour éviter un dysfonctionnement ou un incendie.
- Après avoir utilisé l'appareil, pensez à l'éteindre. Les fuites sont souvent dues à la décharge de la batterie si l'appareil n'est pas éteint.
- L'utilisateur ne peut pas remplacer lui-même la batterie interne rechargeable de ce produit. Il se peut que la batterie ait atteint la fin de sa vie utile si la durée d'utilisation raccourcit considérablement même si la batterie est complètement chargée. Si tel est le cas, la batterie doit être réparée. Contactez votre revendeur local Audio-Technica pour les détails de la réparation.
- Lors de l'élimination du produit, la batterie rechargeable intégrée doit être mise au rebut de manière appropriée. Contactez votre revendeur local Audio-Technica pour savoir comment éliminer correctement la batterie.

À l'attention des clients aux États-Unis

Avis de la FCC

Avertissement

Cet appareil est conforme à la Partie 15 du règlement de la FCC. Son fonctionnement est soumis aux deux conditions suivantes : (1)

Cet appareil ne doit pas causer d'interférence nocive et (2) cet appareil doit accepter les interférences reçues, y compris les interférences pouvant provoquer un fonctionnement indésirable.

Mise en garde

Vous êtes averti que tout changement ou modification non expressément approuvé dans ce manuel est susceptible d'annuler votre droit d'utilisation de cet appareil.

Remarque : Cet appareil a fait l'objet de tests afin de vérifier sa conformité avec les limites relatives aux appareils numériques de classe B, conformément à la partie 15 du règlement de la FCC. Ces limites ont pour vocation d'offrir une protection raisonnable contre les interférences nocives en installation résidentielle. Cet appareil génère, utilise et peut émettre des fréquences radioélectriques et provoquer, en cas d'installation et d'utilisation non conformes aux instructions, des interférences préjudiciables à la réception des signaux radio. Toutefois, il n'y a pas de garantie que des interférences ne se produiront pas dans une installation particulière. Si l'appareil provoque des interférences préjudiciables à la réception radio ou télévisée, ce qui peut être déterminé en éteignant et allumant l'appareil, l'utilisateur est invité à essayer d'y remédier en prenant une ou plusieurs des mesures suivantes :

- Réorienter ou déplacer l'antenne réceptrice.
- Augmenter la séparation entre l'appareil et le récepteur.
- Brancher l'appareil dans une prise sur un circuit différent de celui auquel est raccordé le récepteur.

– Demander de l'aide au revendeur ou à un technicien radio/TV qualifié.

Déclaration d'exposition aux radiofréquences

Ce transmetteur ne doit pas être placé ou opéré en conjonction avec tout autre transmetteur ou antenne utilisés dans d'autres systèmes. Cet appareil est conforme aux limites d'exposition concernant l'exposition aux radiations établies par la FCC dans un environnement non contrôlé et satisfait les directives d'exposition aux radiofréquences (RF) de la FCC. Cet équipement présentant de très faibles niveaux d'énergie de radiofréquence, il est considéré conforme sans tester le débit d'absorption spécifique (DAS).

À l'attention des clients au Canada

Déclaration IC

CAN ICES-3 (B)/NMB-3(B)

Cet appareil est conforme à la norme INDUSTRIE CANADA CNR247

Son fonctionnement est soumis aux conditions suivantes : (1) cet appareil ne doit pas causer d'interférence nocive et (2) cet appareil doit accepter les interférences reçues, y compris les interférences pouvant provoquer un fonctionnement indésirable.

En vertu des règlements d'Industrie Canada, cet émetteur radio peut uniquement fonctionner avec une antenne de type et de gain maximum (ou moindre) approuvés pour l'émetteur par Industrie Canada. Pour éviter que d'éventuelles interférences radio n'affectent d'autres utilisateurs, le type d'antenne et son gain doivent être choisis de sorte que la puissance isotrope rayonnée équivalente (PIRE) ne soit pas supérieure aux limites permises pour une communication réussie.

Cet appareil est conforme aux limites d'exposition aux rayonnements RSS-102 établies pour un environnement non contrôlé.

Remarques concernant l'utilisation

- Veillez à lire le manuel de l'utilisateur de l'appareil connecté avant toute utilisation.
- Audio-Technica ne pourra en aucun cas être tenu responsable des pertes de données dans le cas peu probable de leur survenue pendant l'utilisation du produit.
- Dans les transports ou d'autres lieux publics, veillez à baisser le volume afin de ne pas déranger les autres personnes.
- Baissez le volume au maximum sur votre appareil avant de connecter le produit.
- Si vous utilisez le produit dans une atmosphère sèche, vous pouvez ressentir des picotements dans les oreilles. Ceci est dû à l'électricité statique accumulée sur votre corps et non à un dysfonctionnement du produit.
- Ne soumettez pas le produit à un impact fort.
- Ne laissez pas le produit exposé à l'ensoleillement direct, près d'appareils générant de la chaleur ou dans un endroit chaud, humide ou poussiéreux. Ne laissez pas non plus le casque exposé aux liquides et aux éclaboussures.
- Si vous utilisez longtemps le produit, il peut se décolorer en raison de la lumière ultraviolette (particulièrement sous un ensoleillement direct) et de l'usure.
- Si vous placez le produit dans un sac ou une poche alors que le câble de recharge USB est encore connecté, le câble de recharge USB peut se coincer, être coupé ou endommagé.
- Veillez à tenir le câble de recharge USB par la fiche lorsque vous le connectez ou déconnectez. Le câble de recharge USB peut se couper ou un accident peut se produire si vous tirez sur le câble lui-même.
- Si vous n'utilisez pas le câble de recharge USB, déconnectez-le du produit.
- Ce produit peut être utilisé pour parler au téléphone uniquement si vous utilisez un réseau de téléphone mobile. La prise en charge d'applications de téléphonie utilisant un réseau de données mobile n'est pas garantie.
- Si vous utilisez le produit près d'un appareil électronique ou d'un émetteur (comme un téléphone mobile), il se peut que vous entendiez du bruit indésirable. Dans ce cas, éloignez le produit de l'appareil électronique ou de l'émetteur.
- Si vous utilisez le produit près d'une antenne de télévision ou radio, du bruit peut être vu ou entendu dans le signal de la télévision ou de la radio. Dans ce cas, éloignez le produit de l'antenne de télévision ou radio.
- Pour protéger la batterie rechargeable intégrée, chargez-la au moins une fois tous les 6 mois. S'il s'écoule trop de temps entre les recharges, la durée de vie de la batterie rechargeable peut être réduite, ou la batterie rechargeable risque de ne plus pouvoir être rechargée.

Noms des pièces et fonctions

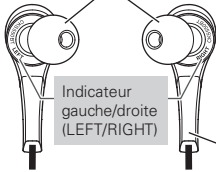
■ Casque

Coque



La bague gauche a une partie protubérante.

Embouts



Indicateur gauche/droite (LEFT/RIGHT)

Bague

■ Bluetooth® et émetteur/récepteur NFC

Marque N

Indique l'emplacement de détection NFC.



Prise pour batterie

Pour raccorder le câble de recharge USB fourni pour la recharge.

■ Télécommande avec microphone

Touche de contrôle

Permet de lancer/suspendre la lecture de musique et vidéos et de répondre/arrêter des appels téléphoniques.

Bouton de volume (-)

Permet de baisser le volume.

Bouton de volume (+)

Permet d'augmenter le volume.

Témoin lumineux

Indique le statut de fonctionnement du produit.

Bouton d'alimentation

Permet la mise sous/hors tension.

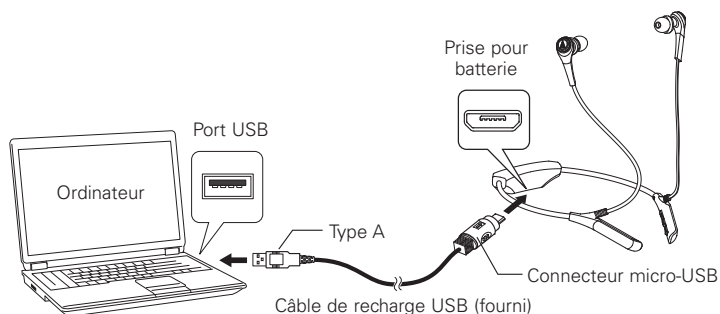
Microphone

Permet de passer un appel téléphonique.

Recharge de la batterie

- Chargez complètement la batterie lors de la première utilisation.
- Si la batterie rechargeable est proche de s'épuiser, le produit émet 2 ensembles de 2 bips par le casque, et le témoin lumineux clignote en rouge. Lorsque vous entendez ces bips, rechargez la batterie.
- Il faut environ 3 heures pour charger complètement la batterie. (Cette durée peut varier selon les conditions d'utilisation.)
- Pendant la recharge de la batterie, la connexion *Bluetooth* du produit reste désactivée et vous ne pouvez donc pas utiliser le produit.

1. Ouvrez le cache de la prise pour batterie.
2. Branchez le câble de recharge USB (côté connecteur micro-USB) dans la prise pour batterie.



3. Branchez le câble de recharge USB (côté type A) sur l'ordinateur pour commencer la charge.
 - Vous pouvez également utiliser l'adaptateur secteur compatible USB fourni (vendu séparément) pour recharger la batterie à l'aide d'une prise électrique.
4. Pendant la charge, le témoin lumineux s'allume ou clignote comme suit :
 - Allumé en rouge : Charge en cours
 - Allumé en bleu : Charge terminée
5. Une fois la charge terminée, déconnectez le câble de recharge USB (côté type A) de l'ordinateur.
6. Déconnectez le câble de recharge USB (côté connecteur micro-USB) de la prise pour batterie et fermez bien le cache.

Connexion via la technologie sans fil *Bluetooth*

À propos de l'appairage

Pour connecter le produit à un dispositif *Bluetooth*, le produit doit s'appairer (enregistrer) avec l'appareil. Une fois appairés, il n'est pas nécessaire de les appairer à nouveau.

Toutefois, il vous faudra les appairer à nouveau dans les cas suivants :

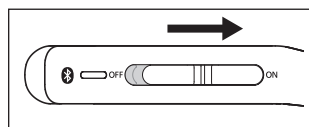
- Si le produit est supprimé de l'historique de connexion du dispositif *Bluetooth*.
- Si le produit est confié au SAV pour réparation.
- Si le produit est appairé 9 appareils ou plus.

(Le produit peut être appairé à un maximum de 8 appareils. Si vous l'appairez à un nouvel appareil après l'avoir appairé à 8 appareils, les informations d'appairage pour l'appareil ayant la plus ancienne date de connexion seront écrasées par les informations du nouvel appareil.)

Appairage d'un dispositif *Bluetooth*

- Lisez le manuel de l'utilisateur du dispositif *Bluetooth*.
- Placez l'appareil à une distance d'un mètre du produit pour effectuer correctement l'appairage.
- Portez le produit sur vous pour vérifier l'appairage en écoutant s'il y a du son.

1. Avec le produit hors tension, faites glisser le bouton d'alimentation sur la position « ON ».



- Le témoin lumineux s'allume en bleu, puis clignote en rouge et bleu.
- Si vous portez le produit, vous entendrez un bip indiquant que le processus d'appairage a commencé.

2. Utilisez votre dispositif *Bluetooth* pour lancer la procédure d'appairage et rechercher le produit.

- Pour des informations sur le fonctionnement du dispositif *Bluetooth*, consultez son manuel de l'utilisateur.

3. Lorsque votre dispositif *Bluetooth* trouve le produit, « ATH-CKS550BT » s'affiche sur le dispositif.

Sélectionnez « **ATH-CKS550BT** ».

- Certains appareils peuvent demander la saisie d'un code. Dans ce cas, tapez « 0000 ».
- Le code peut aussi être appelé code PIN, numéro PIN, NIP ou mot de passe.
- Le produit émet un bip une fois l'appairage terminé.



Connexion via la technologie sans fil *Bluetooth*

Utilisation de NFC lors de l'appairage

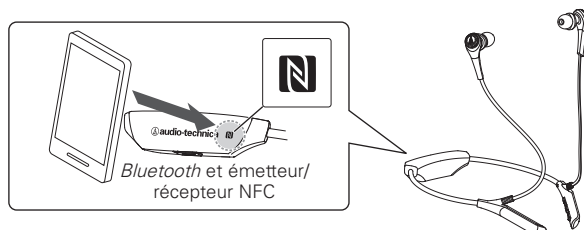
NFC (Near Field Communication) est une technologie permettant la communication sans fil à courte distance entre différents appareils, comme des téléphones mobiles et des balises IC. Il permet à deux appareils de communiquer lorsque vous les mettez simplement en contact l'un avec l'autre. Vous pouvez utiliser NFC pour appairer votre dispositif *Bluetooth* avec ce produit.

Appareils compatibles : Dispositifs *Bluetooth* compatibles NFC

Système d'exploitation compatible : Android

Appairage d'un dispositif *Bluetooth* compatible NFC

1. Préparez votre dispositif *Bluetooth* compatible NFC.
 - Reportez-vous au manuel de l'utilisateur du dispositif *Bluetooth* compatible NFC si nécessaire.
2. Avec le produit hors tension, faites glisser le bouton d'alimentation sur la position « ON ».
3. Mettez en contact votre dispositif *Bluetooth* compatible NFC avec le produit afin de lancer l'appairage.
 - Mettez en contact votre dispositif *Bluetooth* compatible NFC avec la marque N sur le produit.
 - Pour connaître l'emplacement de l'antenne NFC de votre dispositif *Bluetooth* compatible NFC, reportez-vous au manuel de l'utilisateur du dispositif.
 - Suivez les instructions affichées sur l'écran de votre dispositif *Bluetooth* compatible NFC pour terminer le processus d'appairage.
 - Le produit émet un bip une fois l'appairage terminé.



Déconnexion d'un appareil

Remettez votre dispositif *Bluetooth* compatible NFC en contact avec la partie juste au-dessus de la marque N sur le produit pour déconnecter le produit du dispositif.

Changement d'appareil

- Si le produit est connecté à un dispositif *Bluetooth*, puis est mis en contact avec un dispositif *Bluetooth* compatible NFC, la connexion basculera sur cet appareil NFC.
- Si vous avez un dispositif *Bluetooth* compatible NFC connecté au produit et mettez cet appareil en contact avec un autre dispositif *Bluetooth* compatible NFC, le premier dispositif *Bluetooth* compatible NFC se déconnectera du produit et se connectera avec le deuxième dispositif *Bluetooth* compatible NFC.

Indications du témoin lumineux

Le témoin lumineux du produit indique le statut du produit comme expliqué ci-dessous.

Statut		Schéma d'affichage du témoin lumineux ● Rouge ● Bleu	
Appairage	Recherche d'un appareil		Clignote
Connexion	En attente de connexion		
	Connexion		
Niveau de la batterie	Niveau de la batterie faible		
Charge	Charge en cours		Allumé
	Complètement chargé		Allumé

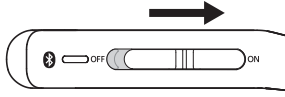
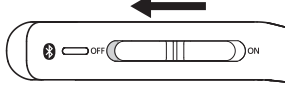
Utilisation du produit

Le produit est capable d'établir des connexions *Bluetooth*, de lire de la musique et de recevoir des appels téléphoniques entrants. Utilisez le produit pour l'une ou l'autre de ces applications en fonction de vos besoins.

Veuillez noter qu'Audio-Technica ne saurait garantir un fonctionnement compatible avec les dispositifs *Bluetooth* connectés.

Alimentation

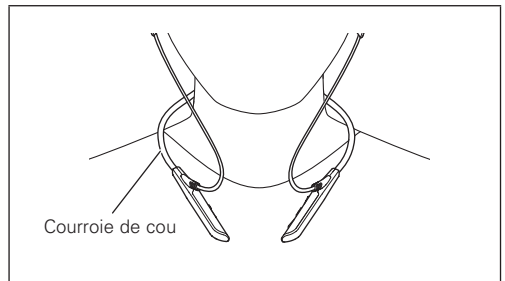
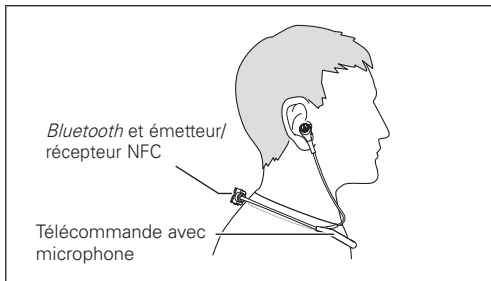
Faites glisser le bouton d'alimentation sur la position ON ou OFF.

Alimentation	Utilisation du bouton d'alimentation	Témoin lumineux
ON*1		S'allume en bleu, puis clignote en rouge et bleu*2
OFF*1		S'allume en bleu, puis s'éteint

*1 Vous pouvez entendre un son indiquant la commutation entre ON/OFF si vous portez le produit sur vous.

*2 Le témoin lumineux peut avoir besoin de quelques secondes pour s'allumer.

Porter le produit



- Insérez le côté du produit marqué « LEFT » dans l'oreille gauche, et le côté marqué « RIGHT » dans l'oreille droite, puis ajustez les embouts.
- Portez le produit de manière à ce que l'émetteur-récepteur *Bluetooth* et NFC repose sur votre dos.
- Ajustez la largeur de la courroie de cou pour un port plus confortable.

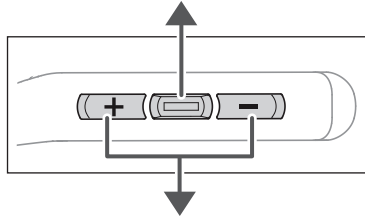
Utilisation du produit

Écouter de la musique

- Pour la connexion initiale, apparez le produit et votre appareil en utilisant la technologie sans fil *Bluetooth* ou NFC. Si vous avez déjà appairé le produit et votre dispositif *Bluetooth*, mettez le produit sous tension, puis allumez la connexion sur votre dispositif *Bluetooth*.
- Utilisez votre dispositif *Bluetooth* pour lancer la lecture en vous reportant au manuel de l'utilisateur du dispositif si nécessaire. Vous pouvez effectuer les opérations suivantes à l'aide du produit.

Touche de contrôle

Appuyer	Lecture/pause	Lance ou suspend la lecture de la musique et des vidéos.* ¹
---------	----------------------	--



Boutons de volume

Bouton +	Appuyer	Augmenter le volume	Augmente le volume par incrément de 1.* ²
	Appuyer et maintenir enfoncé (pendant 2 secondes environ)	Passer à la piste suivante	Lit la piste suivante.* ¹
Bouton -	Appuyer	Baisser le volume	Diminue le volume par incrément de 1.* ²
	Appuyer et maintenir enfoncé (pendant 2 secondes environ)	Revenir à la piste précédente	Lit la piste précédente.* ¹

*¹ Le contrôle de lecture et de pause peut ne pas être disponible pour la lecture de musique et de vidéos sur certains smartphones.

*² Un bip est émis à chaque fois que vous appuyez sur le bouton. Un bip faible est émis lorsque le volume est à son niveau maximum ou minimum.

Utilisation du produit

Répondre à un appel

- Si votre dispositif *Bluetooth* prend en charge les fonctions téléphoniques, vous pouvez utiliser le produit pour parler au téléphone.
- Lorsque votre dispositif *Bluetooth* reçoit un appel, le produit émet une sonnerie.
- Si vous recevez un appel alors que vous êtes en train d'écouter de la musique, la lecture de la musique est suspendue. Une fois l'appel terminé, la lecture de la musique redémarre.

Quand	Opération	Fonction
Réception d'un appel	Appuyez sur la touche de contrôle.	Répond à l'appel.
	Appuyer et maintenir enfoncée la touche de contrôle (pendant 2 secondes environ).	Rejette l'appel.
Parler lors d'un appel	Appuyez sur la touche de contrôle.	Met fin à l'appel.
	Appuyer et maintenir enfoncée la touche de contrôle (pendant 2 secondes environ).*	Chaque fois que vous exercez une pression prolongée sur le bouton (pendant 2 secondes environ), vous basculez l'appel sur votre téléphone portable ou sur le produit.
	Appuyez sur un bouton de volume (+ ou -).	Règle le volume de l'appel.

* Lorsque vous entendez le bip, relâchez le bouton.

Autres fonctions

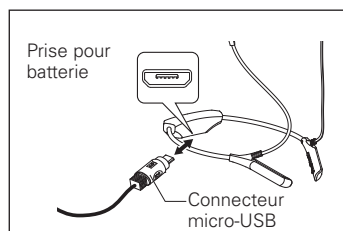
Fonction d'extinction automatique

Le produit s'éteint automatiquement au bout de 5 minutes s'il n'est pas connecté à un appareil sous tension.

Fonction de réinitialisation

Si le produit ne fonctionne pas, ou autres dysfonctionnements, reportez-vous à la section « Recharge de la batterie » et connectez le câble de recharge USB. Assurez-vous que le câble est alimenté.

Si vous déconnectez puis reconnectez le câble de recharge USB, le produit sera réinitialisé. Tout problème que vous rencontrez devrait alors être résolu. Si le problème persiste, prenez contact avec votre revendeur local Audio-Technica.



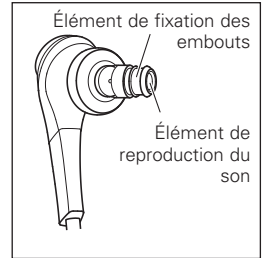
Nettoyage

Prenez l'habitude de nettoyer régulièrement le produit pour lui assurer une longue durée de vie. N'utilisez pas d'alcool, de diluant à peinture ou d'autres solvants pour le nettoyage.

Casque, télécommande avec microphone, et *Bluetooth* et émetteur/récepteur NFC

Pour nettoyer le produit, essuyez-le avec un chiffon sec.

Les graisses naturelles de la peau s'accumuleront probablement là où les embouts sont fixés au casque (voir la figure ci-contre). Si vous ne nettoyez pas ces zones, les embouts peuvent se détacher. Nettoyez-les régulièrement. Ne touchez pas les zones de production du son. Elles sont délicates et peuvent être endommagées en cas de contact.



Câble et câble de recharge USB

Essuyez tout trace de transpiration ou de saleté avec un chiffon sec immédiatement après usage.

Si vous ne nettoyez pas le câble, il risque de se détériorer et de durcir avec le temps, et de provoquer des dysfonctionnements.

Embouts

Retirez les embouts du casque et nettoyez-les avec un détergent doux dilué. Après nettoyage, séchez-les avant de les utiliser à nouveau.

- Si vous envisagez de ne pas utiliser le produit pendant une période prolongée, rangez-le dans un endroit bien ventilé à l'abri des températures élevées et de l'humidité.

Embouts

Taille et position des embouts

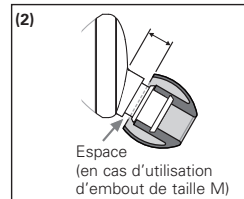
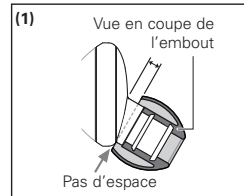
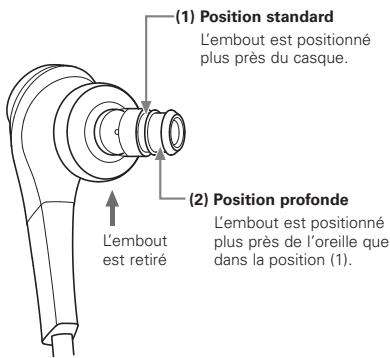
Le produit inclut des embouts en silicone dans 4 tailles (XS, S, M et L). Lors de l'achat, les embouts en silicone de taille M sont fixés en position standard. Les embouts peuvent également être ajustés sur 2 positions différentes.

Pour bénéficier d'une qualité audio optimale, sélectionnez la taille et la position des embouts les mieux adaptées pour vous, et ajustez bien les embouts à l'intérieur de vos oreilles. Les sons graves peuvent être difficilement audibles si les embouts ne sont pas bien ajustés dans vos oreilles.

Extrémité 2 positions

Vous pouvez mettre les embouts sur l'une des 2 positions à votre convenance.

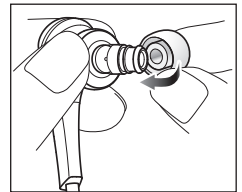
Un port ajusté évite les fuites de son et améliore la reproduction des basses fréquences.



Remplacement des embouts

Retirez l'ancien embout et fixez le nouveau en l'enfonçant sur le casque à la perpendiculaire (voir figure). Poussez fermement sur l'embout de manière à détendre l'intérieur de l'embout. Poussez ensuite l'embout sur l'extrémité autant que possible. Ajustez la position sur l'une des 2 positions indiquées sur la figure en haut et à droite.

- Les embouts sont conçus pour être difficiles à retirer et sont donc étroitement ajustés lorsque vous les mettez en place.



- Retirez régulièrement les embouts pour les nettoyer car ils se salissent rapidement. L'utilisation d'embouts sales peut salir le casque lui-même et entraîner une perte de qualité audio.
- Les embouts sont des consommables qui se détériorent avec le stockage et l'usage. Si les embouts sont mal ajustés et faciles à retirer, ou s'ils semblent en mauvais état, achetez des embouts de rechange.
- Lorsque vous remettez en place des embouts que vous avez précédemment retirés, vérifiez qu'ils sont bien fixés. Si les embouts se détachent et restent à l'intérieur de l'oreille, ils peuvent entraîner des blessures ou une infection.

Guide de dépannage

Problème	Solution
Aucune alimentation.	<ul style="list-style-type: none">• Chargez le produit.
Appairage impossible.	<ul style="list-style-type: none">• Il est possible d'utiliser des appareils communiquant à l'aide de <i>Bluetooth</i> Ver. 4.1 ou supérieur avec le produit.• Placez le produit et le dispositif <i>Bluetooth</i> à 1 mètre maximum l'un de l'autre.• Réglez les profils pour le dispositif <i>Bluetooth</i>. Pour connaître les procédures de réglage des profils, reportez-vous au manuel de l'utilisateur du dispositif <i>Bluetooth</i>.
Pas de son / Son faible.	<ul style="list-style-type: none">• Mettez le produit et le dispositif <i>Bluetooth</i> sous tension.• Augmentez le volume du produit et du dispositif <i>Bluetooth</i>.• Si le dispositif <i>Bluetooth</i> est réglé sur la connexion HFP/HSP, basculez sur la connexion A2DP.• Éliminez les obstacles entre le produit et le dispositif <i>Bluetooth</i> et rapprochez-les l'un de l'autre.• Commutez la sortie du dispositif <i>Bluetooth</i> sur la connexion <i>Bluetooth</i>.
Le son est déformé / Du bruit est audible / Le son est coupé.	<ul style="list-style-type: none">• Baissez le volume du produit et du dispositif <i>Bluetooth</i>.• Éloignez le produit des micro-ondes et autres appareils comme un routeur sans fil.• Éloignez le produit des téléviseurs, radios et appareils avec tuner intégré. Ces appareils peuvent également être affectés par le produit.• Désactivez les réglages de l'égaliseur du dispositif <i>Bluetooth</i>.• Éliminez les obstacles entre le produit et le dispositif <i>Bluetooth</i> et rapprochez-les l'un de l'autre.
Impossible d'entendre la voix du correspondant / La voix du correspondant est à un niveau trop faible.	<ul style="list-style-type: none">• Mettez le produit et le dispositif <i>Bluetooth</i> sous tension.• Augmentez le volume du produit et du dispositif <i>Bluetooth</i>.• Si le dispositif <i>Bluetooth</i> est réglé sur la connexion A2DP, commutez sur la connexion HFP/HSP.• Commutez la sortie du dispositif <i>Bluetooth</i> sur la connexion <i>Bluetooth</i>.
Impossible d'apparier à l'aide de NFC.	<ul style="list-style-type: none">• Assurez-vous que votre appareil est un dispositif <i>Bluetooth</i> compatible NFC.• Réglez votre dispositif <i>Bluetooth</i> compatible NFC pour pouvoir utiliser la fonction NFC.• Mettez le produit en contact avec votre dispositif <i>Bluetooth</i> compatible NFC sur le bon emplacement.• Selon le dispositif <i>Bluetooth</i> compatible NFC utilisé, la sensibilité NFC peut ne pas être assez puissante pour connecter le produit d'un simple contact. Dans ce cas, reportez-vous au manuel de l'utilisateur du dispositif <i>Bluetooth</i> compatible NFC.• Selon le dispositif <i>Bluetooth</i> compatible NFC utilisé, la réception NFC peut prendre du temps. Maintenez le produit et le dispositif <i>Bluetooth</i> compatible NFC en contact jusqu'à ce que la connexion soit établie.• Retirez le dispositif <i>Bluetooth</i> compatible NFC de son étui afin qu'il puisse communiquer via NFC.
Le produit ne peut pas être chargé.	<ul style="list-style-type: none">• Connectez fermement le câble de recharge USB et chargez le produit.

- Pour des informations sur le fonctionnement du dispositif *Bluetooth*, consultez son manuel de l'utilisateur.
- Si le problème persiste, réinitialisez le produit. Pour savoir comment réinitialiser le produit, consultez la section « Fonction de réinitialisation » dans « Autres fonctions ».

Caractéristiques techniques

Spécifications pour la communication

Système de communication	Bluetooth version 4.1
Sortie	Spécification Bluetooth classe de puissance 2
Portée maximale de communication	Ligne de visée : environ 10 mètres
Bande de fréquence	2,4 GHz (2,402 GHz à 2,480 GHz)
Procédé de modulation	FHSS
Profils Bluetooth compatibles	A2DP, AVRCP, HFP, HSP
Codecs pris en charge	SBC
Méthode de protection du contenu prise en charge	SCMS-T

Casque

Type	Dynamique
Transducteur	9.8 mm
Sensibilité	105 dB/mW
Réponse en fréquences	5 à 24 000 Hz
Bande de transmission	20 à 20 000 Hz
Impédance	16 ohms

Microphone

Type	Condensateur à électret
Courbe de directivité	Omnidirectionnel
Sensibilité	-44 dB (1 V/Pa, à 1 kHz)
Réponse en fréquences	50 à 4 000 Hz

Autre

Alimentation	Batterie Lithium-Polymère (LiPo) CC 3,7 V
Temps de charge	Environ 3 heures*
Autonomie	Durée de transmission continue (temps de lecture de musique) : Jusqu'à 5 heures environ* Durée de veille continue : Jusqu'à 200 heures environ*
Poids (sans le câble)	Environ 32 g
Température de fonctionnement	5 °C à 40 °C
Accessoires fournis	Embouts (XS, S, M, L), câble de recharge USB (1 m)
Vendu séparément	Embouts (ER-CK50XS, S, M, L)

* Les chiffres ci-dessus dépendent des conditions d'utilisation.

Le produit est susceptible d'être modifié sans préavis à des fins d'amélioration.

- La marque verbale et les logos *Bluetooth*[®] sont détenus par Bluetooth SIG, Inc., et ces marques sont utilisées sous licence par Audio-Technica Corporation. Toutes les autres marques de commerce sont la propriété de leurs détenteurs respectifs.
- La marque N est une marque de commerce déposée ou non de NFC Forum, Inc. aux États-Unis et dans d'autres pays.
- Android est une marque de commerce de Google Inc.

Mémo

Audio-Technica Corp.

2-46-1 Nishi-naruse, Machida, Tokyo 194-8666, Japan

©2016 Audio-Technica Corp.

Global Support Contact: www.at-globalsupport.com

2016.08