

## User Manua

### Wireless Headphone: EP-B60(FCC ID : 2AFHP-EP-B60)

Thank you for purchasing the AUKEY EP-B60 Magnetic Wireless Earbuds. Please read this user manual carefully and keep it for future reference. If you need any assistance, please contact our support team with your product model number and Amazon order number.

### Package Contents

MagneticWireless Earbuds

Micro-USB Cable

Three Sets of Ear-Tips (S / M / L)

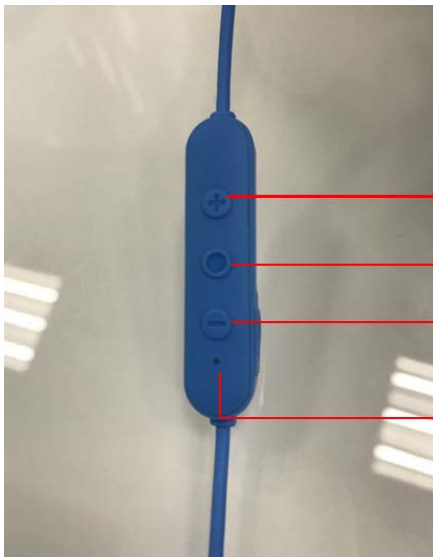
Three Pairs of In-Ear Ear-hooks (S / M / L)

Carrying Pouch

User Manual

Warranty Card

### Product Diagram

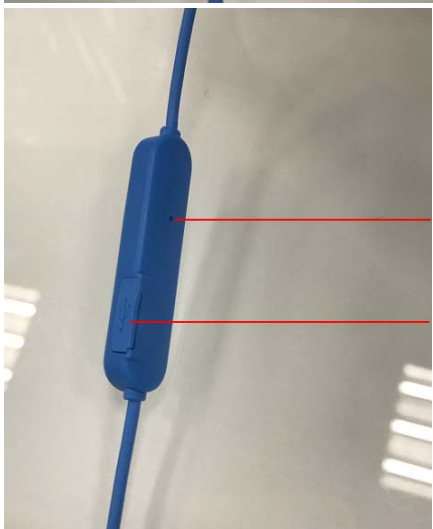


Volume + / Next Track

Multi-Function Button

Volume - / Previous Track

LED Indicator



Microphone

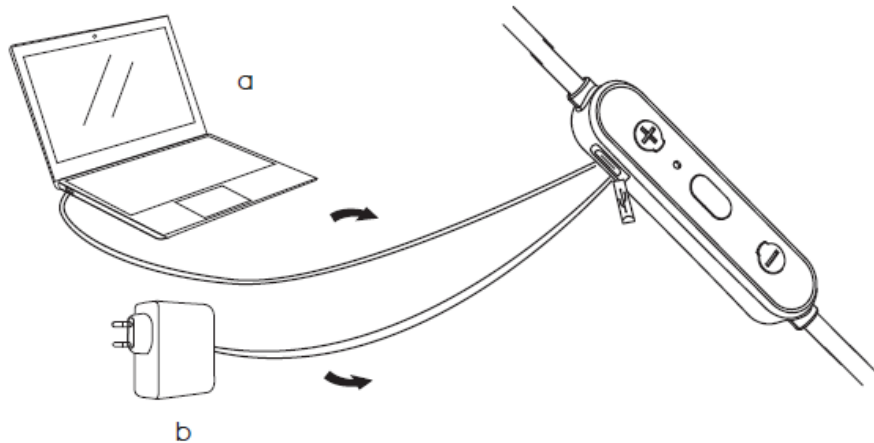
Micro-USB Charging Port

## Specifications

Model	EP-B60
Technology	BT 4.1, A2DP, AVRCP, HSP, HFP
Driver	8mm(D) x 5mm(H) / 0.31"(D) x 0.2"(H)
Impedance	16 ohm
Sensitivity	95±3 dB
Frequency Range	20Hz –20kHz
Microphone Noise Reduction	6th generation cVc audio technology
Input	DC 5V
Charging Time	1.5 hours
Play Time	8hours
Standby Time	120 hours
Battery Type	Li-Polymer (2 × 60mAh)
Operating Range	Up to 10m / 33ft
Weight	15g / 0.53oz

## Getting Started

Fully charge your earbuds before first use. Before charging, make sure the earbuds are turned off. To charge, simply connect one end of the micro-USB cable to a USB charging port and the other end to the input port on the earbuds. When the red LED indicator light turns blue, your earbuds are fully charged and ready for use. Charging takes around 1.5 hours.



## Turning On/Off

- To power on, press and hold the multi-function button for 2 seconds, and the LED indicator will flash blue
- To power off, press and hold the multi-function button for 5 seconds, and the LED indicator will flash red and then off

## Pairing

Starting with your earbuds powered off:

1. Press and hold the multi-function button for 5 seconds until the LED indicator flashes blue and red alternately
2. Turn on the pairing function of the device you want to pair with the earbuds
3. In the list of available devices, find and select "AUKEY EP-B60". When connected, the LED indicator will flash blue twice every 5 seconds
4. If a code or pin is required for pairing, enter "0000"

## Simultaneous Pairing with Two Devices

1. Follow the instructions in the "Pairing" section to pair the earbuds with Device A
2. Once paired, disable wireless function on Device A and turn off the earbuds
3. Follow the instructions in the "Pairing" section to pair with Device B
4. Once paired with Device B, reactivate wireless function on Device A and select "AUKEY EP-B60" in the list of paired devices
5. You can now make and receive calls from either of the two paired devices

## Notes

- To clear pairing list, power on the earbuds and do not make the earbuds connected with any devices, then hold volume + and multi-function button simultaneously for 5 seconds until the LED indicator flashes red 5 times. When you turn on the earbuds next time, the earbuds will automatically enter into pairing mode
- The earbuds will automatically shut down after 5 minutes in pairing mode if no devices are paired
- If your paired device is turned off or manually disconnected, the earbuds LED indicator will flash blue once every 8 seconds and the earbuds will automatically shut down after 5 minutes
- The maximum wireless operating range is 33ft (10m). If you exceed this range, the earbuds will disconnect from your paired devices. The LED indicator will flash blue twice every 5 seconds in 10 minutes and then it will flash once every 8 seconds in 5 minutes. The connection will be re-established once you re-enter the wireless range within 15 minutes. The earbuds will automatically reconnect to the last-paired device. To connect with other devices, repeat the previous "Pairing" steps

## Music and Calls Control

### Making Calls

Once paired with your smartphone, making and answering phone calls can be managed via the in-line remote.

Answer / End a call	Press the multi-function button once
Redial last called number	Double press the multi-function button when connected
Reject an incoming call	Hold the multi-function button for 2 seconds
Mute / Resume a call	Press and hold the volume - for 2 seconds during a call
Voice switch	Press and hold the volume + for 2 seconds during a call to switch between the earbuds and your phone for talking
Device switch	Press and hold the multi-function button for 2 seconds during a call to switch between two mobile phones

Siri / Google assistant	Press multi-function button for only 1 second and then must release your finger, you will hear a tone
-------------------------	---

### Streaming Audio

Once paired, you can wirelessly stream audio from your device to your earbuds. Music will automatically pause when you receive an incoming phone call, and resume once the call has ended.

Play / Pause	Press the multi-function button once
Volume Control	Press the volume +/-
Next / Previous Track	Press and hold the volume + / - for 2 seconds
EQ Switch	Double press multi-function button to switch vocals / treble / bass when playing music and you will hear a tone

LED Indicator	Status
Blue & red flashing alternately	Pairing mode
Blue flashing twice every 5 seconds	Connected
Blue flashing twice every 8 seconds	Playing music
Blue flashing once every 8 seconds	Disconnected/ In call
Blue flashing once every second	Incoming call
Red flashing twice every 8 seconds	Low battery
Red	Charging
Blue (after charging)	Fully charged

### FAQ

#### The earbuds are on but not connecting to my device

For the earbuds and your device to establish a connection, you need to put them both in pairing mode. Please follow the instructions in the "Pairing" section of this manual.

#### My device can't find "AUKEY EP-B60" on the pairing list when trying to pair

Make sure the earbuds are in pairing mode (flashing blue and red alternately; see the "Pairing" section of this manual). Otherwise, restart your device and the earbuds; then try pairing again.

#### I have established a connection with my smartphone but can't hear any sound

Double-check the volume level on your smartphone and the earbuds. Some smartphones require you to set up the earbuds as an audio output device before the audio can be transmitted. If you are using a music player or other device, please make sure it supports the A2DP stereo music profile.

#### The sound is not very clear or the caller cannot hear my voice clearly

Adjust the volume on your smartphone and the earbuds. Try getting closer to your smartphone to rule out the possibility of interference or wireless range-related issues.

#### Can I use the earbuds while they are charging?

No.

**What is the wireless range of the earbuds?**

*The maximum range is 33ft (10m). However, the actual range will depend on environmental factors. For optimal performance, keep your devices connected with the earbuds within a 15ft-25ft range and make sure that there are no major obstacles (like reinforced steel walls) between the earbuds and your devices.*

**My earbuds won't turn on even when I have fully charged them**

*Connect the earbuds to a USB charger port with the included micro-USB cable. Press and hold the multi-function button until the earbuds turn on. If the earbuds still won't power on, please contact our support team at the address below.*

**Product Care & Use**

- Please keep away from liquids and extreme heat
- Do not use the earbuds at high volume for extended periods, as this may cause permanent hearing damage or loss

**Warranty & Customer Support**

For questions, support, or warranty claims, contact us at the address below that corresponds with your region. Please include your Amazon order number and product model number.

**Amazon US orders:** support.us@aukey.com

**Amazon EU orders:** support.eu@aukey.com

**Amazon CA orders:** support.ca@aukey.com

**Amazon JP orders:** support.jp@aukey.com

\*Please note, AUKEY can only provide after sales service for products purchased directly from AUKEY. If you have purchased from a different seller, please contact them directly for service or warranty issues.

**Notice for US**

Changes or modifications not expressly approved by the party responsible for compliance could void the user's authority to operate the equipment. This device complies with Part 15 of the FCC Rules. Operation is subject to the following two conditions:

1. This device may not cause harmful interference, and
2. This device must accept any interference received, including interference that may cause undesired operation

**FCC Rules**

This device complies with part 15 of the FCC Rules. Operation is subject to the following two conditions: (1) This device may not cause harmful interference, and (2) this device must accept any interference received, including interference that may cause undesired operation.

Any changes or modifications not expressly approved by the party responsible for compliance could void the user's authority to operate the equipment.

NOTE: This equipment has been tested and found to comply with the limits for a Class B digital device, pursuant to Part 15 of the FCC Rules. These limits are designed to provide reasonable protection against harmful interference in a residential installation. This equipment generates, uses and can radiate radio frequency energy and, if not installed and used in accordance with the instructions, may cause harmful interference to radio communications. However, there is no guarantee that interference will not occur in a particular installation.

If this equipment does cause harmful interference to radio or television reception, which can be determined by turning the equipment off and on, the user is encouraged to try to correct the interference by one or more of the following measures:

- Reorient or relocate the receiving antenna.
- Increase the separation between the equipment and receiver.
- Connect the equipment into an outlet on a circuit different from that to which the receiver is connected.
- Consult the dealer or an experienced radio/TV technician for help.

The device has been evaluated to meet general RF exposure requirement. The device can be used in portable exposure condition without restriction.

FCC ID:2AFHP-EP-B60

**Caution**

Changes or modifications made to this device that are not expressly approved by AUKEY may void the user's authority to operate this equipment.