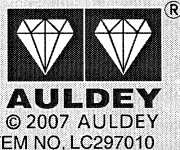




# OFFICIAL LICENSED BIG WHEEL RACER



Thank you for purchasing our product –OFFICIAL LICENSED BIG WHEEL RACER. Please read the user manual carefully before using the product, and retain the information for future reference. **This device complies with part 15 of the FCC Rules. Operation is subject to the following two conditions:(1) This device may not cause harmful interference, and (2) this device must accept any interference received,including interference that may cause undesired operation.**

## CAUTION

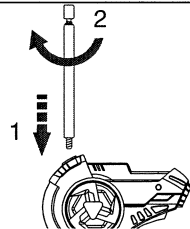
- Non-rechargeable batteries are not to be recharged;
- Rechargeable batteries are to be removed from the toy before being charged;
- Rechargeable batteries are only to be charged under adult's supervision;
- Only batteries of the same or equivalent type as recommended are to be used;
- Different types of batteries,new or used are not to be mixed;
- Batteries are to be inserted with the correct polarity;
- Exhausted batteries are to be removed from the toy;
- The supply terminals are not to be short circuited.
- Do not mix old and new batteries.
- Do not mix alkaline batteries ,standard(carbon-zinc) or rechargeable (Nickelcadmium)batteries.

### I .Specifications And Functions

1. Scale: 1:28;
2. Movements: Forward, backward, turn left, turn right, stop;
3. Frequencies: 27MHz, 35MHz, 40MHz, 49MHz.
4. Batteries: Four AA batteries for main device and two for controller.
5. Speed: 9Km/h
6. Operating range: No less than 20m.

### II .To Install Antenna

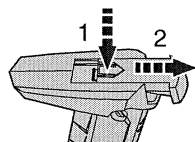
See Diagram 1. Insert the antenna and twist it tightly clockwise.



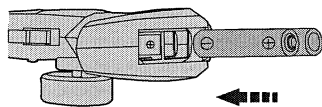
(Diagram 1)

### III .To Install Controller Batteries

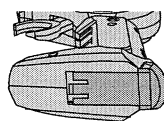
1. Press down battery cover buckle and pull out cover at Arrow 1 direction. (See Diagram 2)
2. Install two AA batteries at the correct polarity. (See Diagram 3)
3. Place back and lock battery cover. (See Diagram 4)



(Diagram 2)



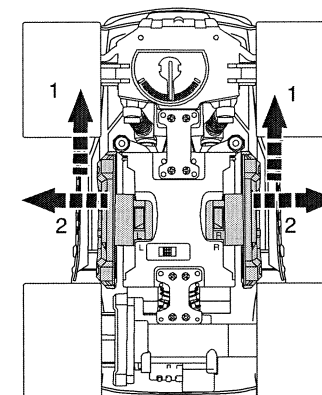
(Diagram 3)



(Diagram 4)

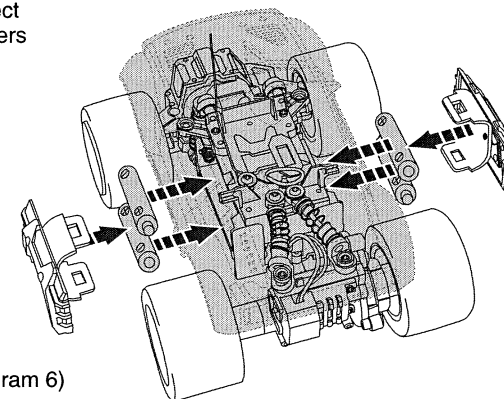
### IV .To Install Car Batteries

1. Turn the car, open battery locks and remove covers according to directions at Arrows 1 and 2. (See Diagram 5)



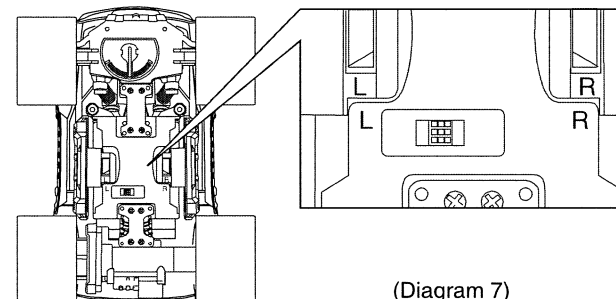
(Diagram 5)

2. Install four AA batteries at correct polarity, place back battery covers and lock.



(Diagram 6)

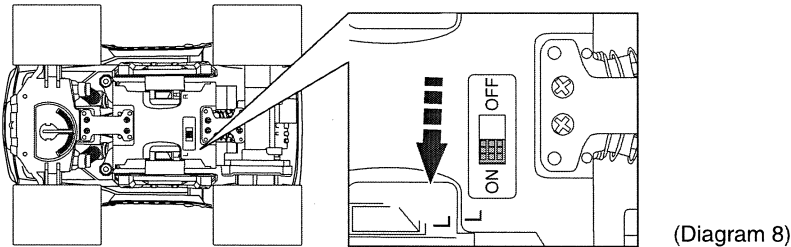
3. Install battery covers according to correct symbols "L" and "R" shown on covers and car chassis. (See Diagram 7)



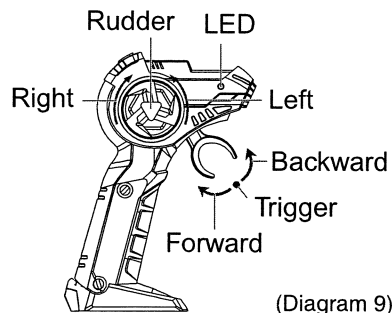
(Diagram 7)

## V. Operation Method

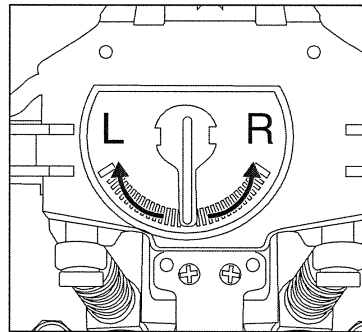
1. Switch ON button and place car on the ground. (See Diagram 8)



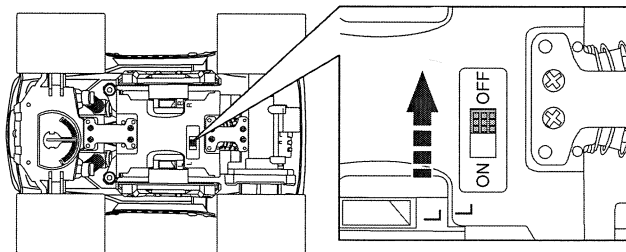
2. Push trigger backward for car running forward, and vice versa. Turn rudder clockwise for car turning right, and vice versa. (See Diagram 9) [Correct operation: hold the Controller with left hand and control trigger with left hand fingers; control the Rudder with right hand.]



3. Use adjustor on chassis to adjust car alignment, "R" for right, "L" for left. (See Diagram 10)



4. After game, make sure switch OFF button. (See Diagram 11) Remove batteries from car and controller, store separately.



## VI. To Consumers

1. When playing the car indoor, avoid damaging furniture or glass surface.
2. To avoid accidents happen, please do not run the car in public. Only use this product in safe outdoor environment.
3. When thundering while running the car outdoor, please stop playing immediately.
4. Do not run the car on puddles or sand to avoid circuit failure.
5. Do not fold the antenna incorrectly. Broken antenna may have sharp edges and cause injury.
6. Do not pull the wires from the car unit. Broken wire may result function failure.
7. When the wheel is revolving, do not put your hand close to it, nor put it on the hair or clothing to avoid injury.
8. Do not run the car toward others.
9. Should not drop or bump the car.
10. Store the car in cool places and away from fire.
11. This product is composed of complicated electronic devices and original parts, please do not attempt to disassemble or alter this product.
12. When batteries are low in power, the car speed will slow down or out of control. Please change the batteries.
13. If the car is under pressure for a long time, the rear twist board may be deformed. Hold the rear motor and bend it to the opposite direction until the board is flat again.
14. To enable longer life of the batteries, please follow below:  
\* Please remove the batteries when not in use.  
\* Change all old batteries at the same time; otherwise, the car runs slowly and the life of the batteries will die very soon.

## VII. Frequency And Environment

1. When there is another car of similar radio frequency operating nearby, the radio control may not function.
2. When interfered by other radio-waves, the control may not function. Try again at other location or time.
3. This product is designed to run on cement and sand polished surface. If run on wax polished surface, the car cannot move on straight line due to poor contact between the tires and road surface and may also spin 180 degree or pivot.



### WARNING:

CHOKING HAZARD-Toy contains small parts, NOT for children under 3 years.

تحذير:



خطر اختناق - اللعبة تحتوي على أجزاء صغيرة، غير مناسبة للأطفال تحت سن الثالثة.

### AULDEY TOY (HK) CO.,LTD.

Tel:(852)2305 4882

Website: www.auldeyhk.com

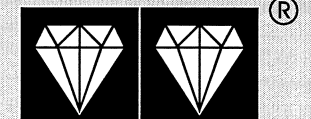
E-mail: auldey\_imd@auldey.cn

For more information:  
<http://www.auldey.com>

All rights reserved

MADE IN CHINA

Suitable for children of 8 above



**AULDEY**  
© 2007 AULDEY



### WARNING:

Changes or modifications not expressly approved by the party responsible for compliance could void the user's authority to operate the equipment.



Phone: +86-20-38598787  
FAX: +86-20-37590417  
http: // www.auldey.com

**NOTE:**

**This equipment has been tested and found to comply with the limits for a Class B digital device, pursuant to Part 15 of the FCC Rules. These limits are designed to provide reasonable protection against harmful interference in a residential installation. This equipment generates, uses and can radiate radio frequency energy and, if not installed and used in accordance with the instructions, may cause harmful interference to radio communications.**

**However, there is no guarantee that interference will not occur in a particular installation. If this equipment does cause harmful interference to radio or television reception, which can be determined by turning the equipment off and on, the user is encouraged to try to correct the interference by one or more of the following measures:**

- Reorient or relocate the receiving antenna.**
- Increase the separation between the equipment and receiver.**
- Connect the equipment into an outlet on a circuit different from that to which the receiver is connected.**
- Consult the dealer or an experienced radio/TV technician for help.**

**GUANGDONG AULDEY TOY INDUSTRY CO., LTD.**

Auldey Ind. Area, Wenguan Rd. (Central), Chenghai, Shantou, Guangdong, China