

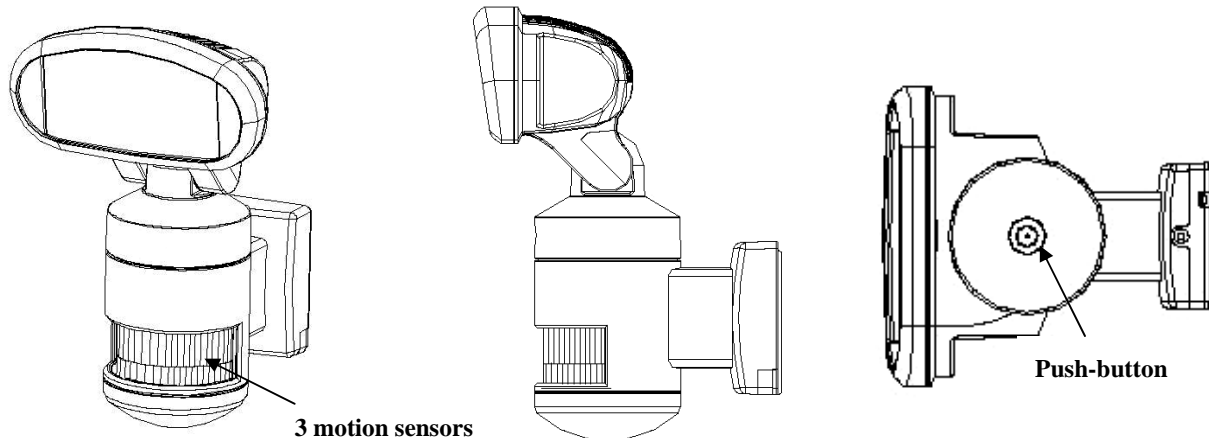
THE INTELLIGENT MOTION SENSOR TRACKING LIGHT

INSTALLATION INSTRUCTIONS

(DRAFT)

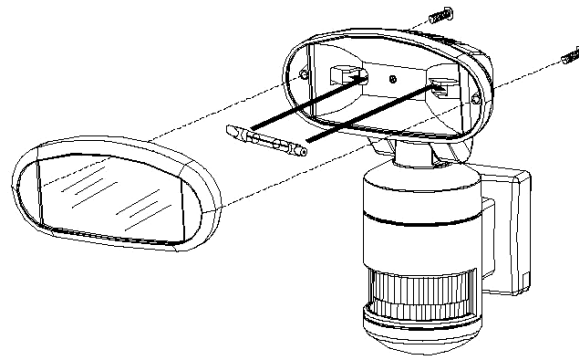
Read all instructions before proceeding with the installation

OVERVIEW OF AEC-9339A



INSTALLING THE BULB

- Unscrew the lamp cover of the luminaire and install a 300W J-type lamp.
- Re-fit the lamp cover and tighten the screws.



IMPORTANT: THE INTALLATION OF THIS FITTING MUST BE DONE BY A QUALIFIED ELECTRICIAN.

- This fitting must be earthed.
- Do not mount the luminaire against inflammable surfaces.
- The motion detector will not operate correctly if it is installed:
 - (I) Near the outlet of a central heating boiler
 - (II) Near air conditioning plant
 - (III) Pointing directly at moving vehicles
 - (IV) Within sight of reflection from moving water
 - (V) Where other lamps could shine onto the detector
- The maximum rating of this luminaire is 300 Watts. Check that the total load of the circuit. Including this luminaire. Does not exceed the rating of the circuit cable.

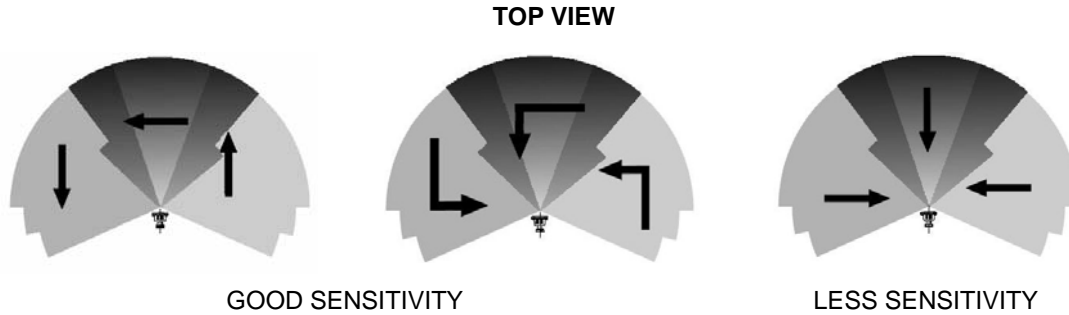
WARNING !!!

BEFORE ATTEMPTING ANY INSTALLATION OR MAINTENANCE, ENSURE THAT THE ELECTRICAL SUPPLY IS SWITCHED OFF AND THE CIRCUIT FUSES REMOVED OR THE CIRCUIT BREAKER IS IN THE "OFF" POSITION.

NOTE: This highly responsive unit may occasionally activate due to rapid environmental changes. Allow for approximately 30 seconds warm-up time before the sensor resumes normal activity.

MOUNTING THE FITTING

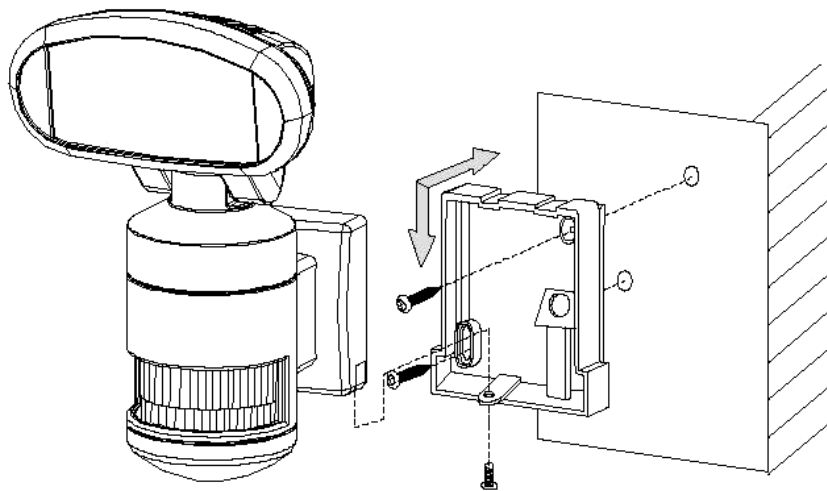
To ensure correct operation of the sensor, mount the luminaire that traffic passes across the detector.



INSTALLATION AND WIRING INSTRUCTIONS

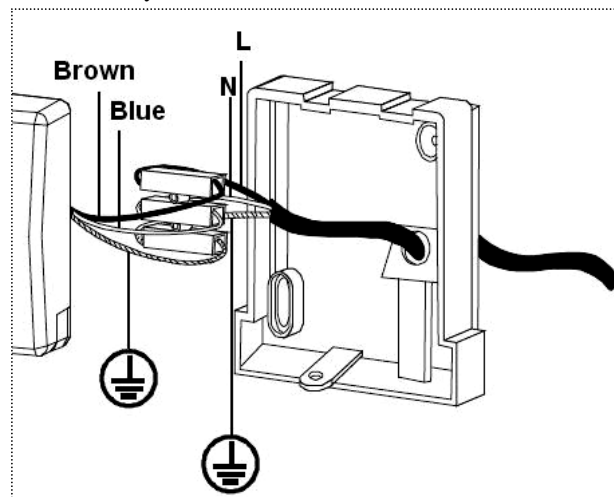
Remove the inset back mounting box from the luminaire. Fit the inset back mounting box onto the wall and tighten the screws at a height that ensures adequate coverage of the area by the infrared detector. The minimum installation height is 2 meters. And the maximum height is 3 meters.

NOTE: DO NOT REMOVE THE STOPPER UNTIL YOU FINISH THE INSTALLATION. IF THE STOPPER COMES OFF THE LIGHT, PLEASE REPLACE THE STOPPER OR HOLD THE LIGHT HEAD TO AVOID SWIVELING AND DAMAGE THE PRODUCT.



WIRING INSTRUCTIONS

- Feed the cable through the back mounting box and bush the cable entry to avoid abrasion to the cable.
- Connect the earth wire to the connector opposite the green/yellow cable.
- Connect the brown phase conductor active to the connector opposite the brown cable and tighten the screws.
- Connect the blue neutral conductor to the connector opposite the blue cable and tighten the screws.
- Check that all connections are correct and tight, as any misconnections will damage the detector.
- Re-fit the fitting to the back mounting box.



OPERATION

1. Turn on the wall switch to activate the light, the light is now under All Day mode: light works on day and night

NOTE: Allow for approximately 30 seconds warm-up time before the sensor resumes normal activity.

2. To test, walk through the sensor's detection area.

3. Movement will activate the sensor and turn the light on, the light will turn the face to the detected zone for approx. 3 minutes.

4. After the light is activated, **keep out of detection area** and the light will switch off automatically after 3 minutes. The light will be activated again when detecting any movement.

If there is continuing movement in the detection zone, the light will stay on until movement ceases. (after 3 minutes)

LAMP REPLACEMENT

To isolate the unit, first switch off the unit from the mains power. Allow bulb to cool before attempting to remove it.

Unscrew the lamp cover and take the old lamp out and replace with new one, close the lamp cover and tighten the screws.

WARNING: This fitting will become hot when in use. Allow bulb to cool before touching.

NOTE: THE INTELLIGENT MOTION SENSOR TRACKING LIGHT IS DESIGNED TO ILLUMINATE WHEN THE DETECTION AREA IS ENTERED BY A PERSON AND WILL DETECT MOVING HEAT SOURCE. THERE IS NO GUARANTEE IMPLIED THAT IT WILL PROVIDE TOTAL SECURITY OR PREVENT ILLEGAL ENTRY.

SPECIFICATION

Detection Method: Passive Infrared Sensor (with continuously detect function)

Sensor Range: 10m x 220° (maximum)

Power source: AC 120V

Time adjustment: Fixed at 3 minutes approx.

Load Rating: J-Type 300 Watts Max.

FCC WARNING:

This device complies with part 15 of the FCC Rules. Operation is subject to the following two conditions: (1) This device may not cause harmful interference, and (2) this device must accept any interference received, including interference that may cause undesired operation.

Changes or modifications not expressly approved by the party responsible for compliance could void the user's authority to operate the equipment.

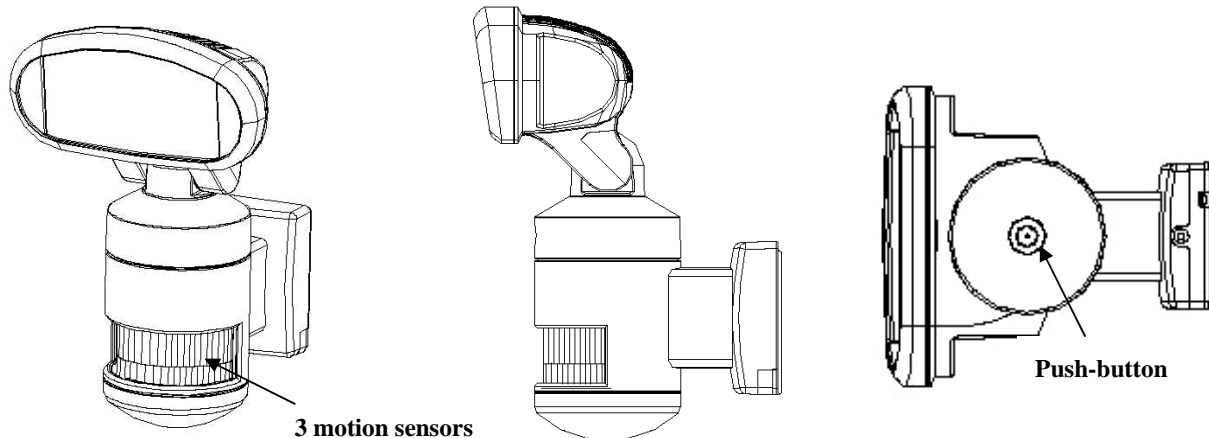
THE INTELLIGENT MOTION SENSOR TRACKING LIGHT

INSTALLATION INSTRUCTIONS

(DRAFT)

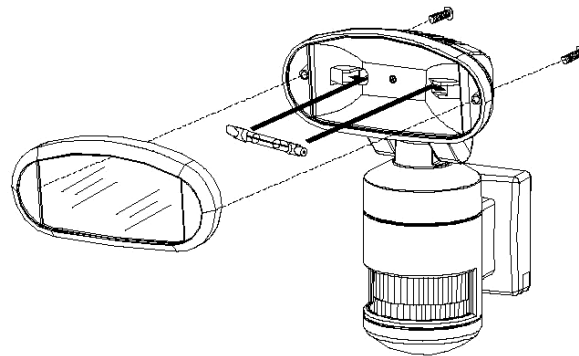
Read all instructions before proceeding with the installation

OVERVIEW OF AEC-9336A



INSTALLING THE BULB

- Unscrew the lamp cover of the luminaire and install a 150W J-type lamp.
- Re-fit the lamp cover and tighten the screws.



IMPORTANT: THE INTALLATION OF THIS FITTING MUST BE DONE BY A QUALIFIED ELECTRICIAN.

- This fitting must be earthed.
- Do not mount the luminaire against inflammable surfaces.
- The motion detector will not operate correctly if it is installed:
 - (I) Near the outlet of a central heating boiler
 - (II) Near air conditioning plant
 - (III) Pointing directly at moving vehicles
 - (IV) Within sight of reflection from moving water
 - (V) Where other lamps could shine onto the detector
- The maximum rating of this luminaire is 150 Watts. Check that the total load of the circuit. Including this luminaire. Does not exceed the rating of the circuit cable.

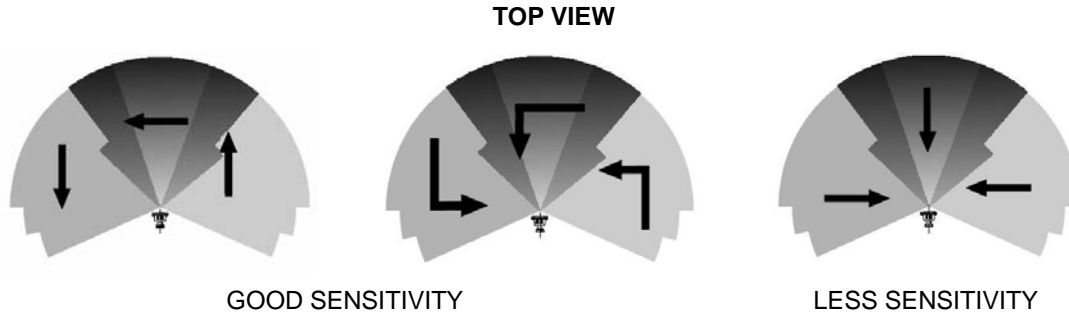
WARNING !!!

BEFORE ATTEMPTING ANY INSTALLATION OR MAINTENANCE, ENSURE THAT THE ELECTRICAL SUPPLY IS SWITCHED OFF AND THE CIRCUIT FUSES REMOVED OR THE CIRCUIT BREAKER IS IN THE "OFF" POSITION.

NOTE: This highly responsive unit may occasionally activate due to rapid environmental changes. Allow for approximately 30 seconds warm-up time before the sensor resumes normal activity.

MOUNTING THE FITTING

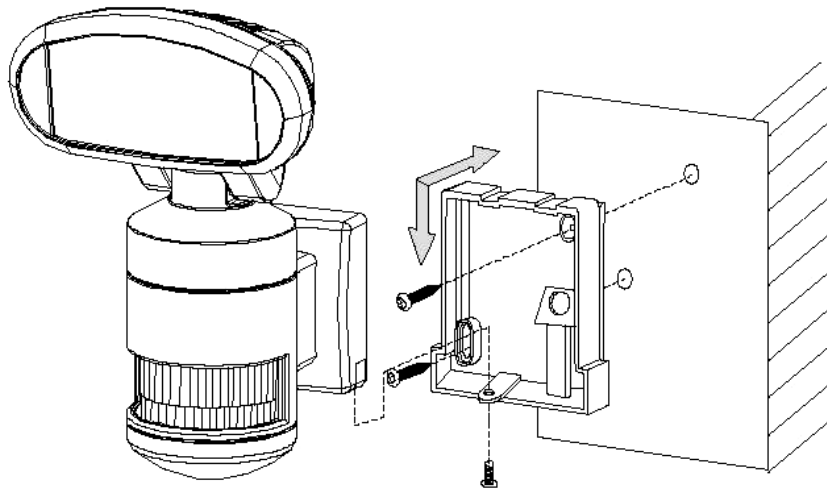
To ensure correct operation of the sensor, mount the luminaire that traffic passes across the detector.



INSTALLATION AND WIRING INSTRUCTIONS

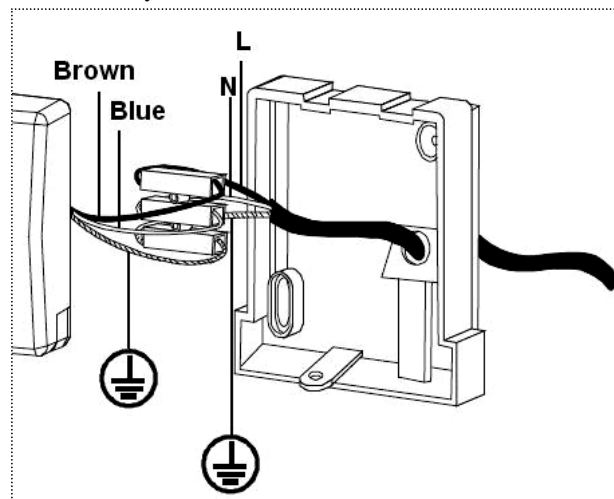
Remove the inset back mounting box from the luminaire. Fit the inset back mounting box onto the wall and tighten the screws at a height that ensures adequate coverage of the area by the infrared detector. The minimum installation height is 2 meters. And the maximum height is 3 meters.

NOTE: DO NOT REMOVE THE TAPE UNTIL YOU FINISH THE INSTALLATION. IF THE TAPE COMES OFF THE LIGHT, PLEASE REPLACE IT OR HOLD THE LIGHT HEAD TO AVOID SWIVELING AND DAMAGE THE PRODUCT.



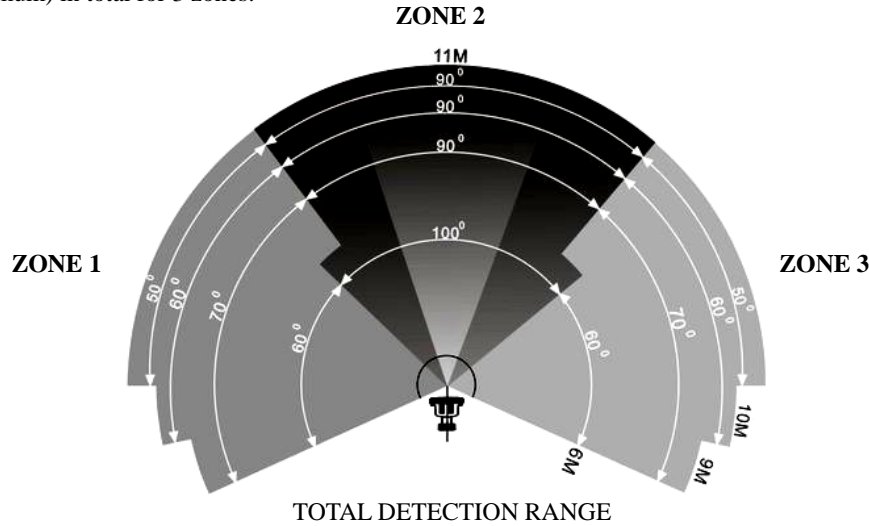
WIRING INSTRUCTIONS

- Feed the cable through the back mounting box and bush the cable entry to avoid abrasion to the cable.
- Connect the earth wire to the connector opposite the green/yellow cable.
- Connect the brown phase conductor active to the connector opposite the brown cable and tighten the screws.
- Connect the blue neutral conductor to the connector opposite the blue cable and tighten the screws.
- Check that all connections are correct and tight, as any misconnections will damage the detector.
- Re-fit the fitting to the back mounting box.

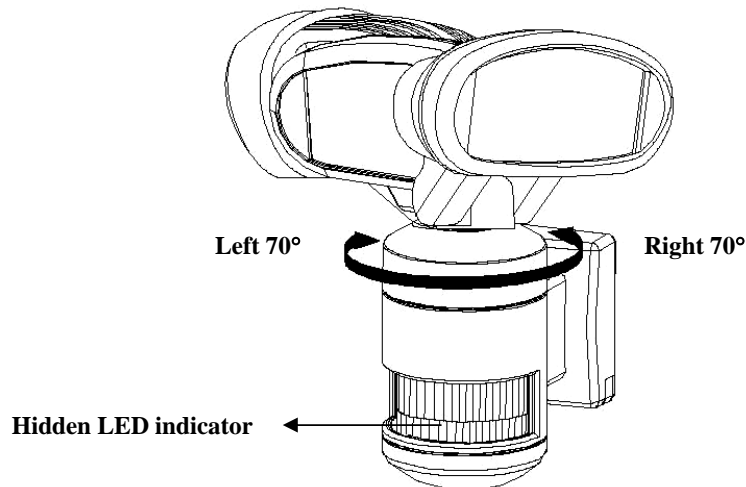
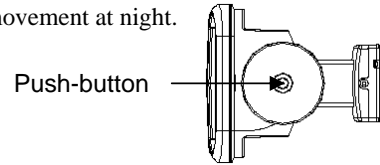


FUNCTION

This light is equipped with 3 motion sensors: zone 1 covers 60 degree, zone 2 covers 100 degrees and zone 3 covers 60 degrees. 220 degrees (maximum) in total for 3 zones.



- The light will switch on for 3 minutes and off automatically when heat/ movement is detected.
- The factory default: the light on fixed at 3 minutes and works all day.
- To change the mode to nighttime only, push the button at the bottom of the housing and the hidden LED indicator will turn red under this mode. The light will be on at 3 minutes when detecting any movement at night.
- Push-button for programmable functions:
 - All day mode: light and alarm work on day and night
 - Nighttime mode: light and alarm work at night only
- Reset function: If the stepper motor of tracking light works abnormal, the hidden LED indicator will flash in red and the light will stop turning automatically. In All Day mode, the red light will flash for 5 seconds and off for 5 seconds; in Nighttime mode, the red light will flash in regular pattern. Please simply switch off and on the main power to resume the tracking light. Below are the possible abnormal situations.
 - External force: the light head is blocked by objects or is blown by strong wind and is unable to turn properly, the hidden LED will flash in red to signal users the abnormal situation.
 - Stepper motor: when stepper motor is going to be out of its lifetime or is damaged, the hidden LED will flash in red to signal users the abnormal situation. Please switch off and on the main power, the tracking light now may or may not resume its operation. If the stepper motor stops working, AEC-9336A becomes a regular motion sensor security light.



OPERATION

1. Turn on the wall switch to activate the light, the light is now under All Day mode: light works on day and night

NOTE: Allow for approximately 30 seconds warm-up time before the sensor resumes normal activity.

2. To test, walk through the sensor's detection area.

3. Movement will activate the sensor and turn the light on, the light will turn the face to the detected zone for approx. 3 minutes.

4. After the light is activated, **keep out of detection area** and the light will switch off automatically after 3 minutes. The light will be activated again when detecting any movement.

If there is continuing movement in the detection zone, the light will stay on until movement ceases. (after 3 minutes)

LAMP REPLACEMENT

To isolate the unit, first switch off the unit from the mains power. Allow bulb to cool before attempting to remove it.

Unscrew the lamp cover and take the old lamp out and replace with new one, close the lamp cover and tighten the screws.

WARNING: This fitting will become hot when in use. Allow bulb to cool before touching.

NOTE: THE INTELLIGENT MOTION SENSOR TRACKING LIGHT IS DESIGNED TO ILLUMINATE WHEN THE DETECTION AREA IS ENTERED BY A PERSON AND WILL DETECT MOVING HEAT SOURCE. THERE IS NO GUARANTEE IMPLIED THAT IT WILL PROVIDE TOTAL SECURITY OR PREVENT ILLEGAL ENTRY.

SPECIFICATION

Detection Method: Passive Infrared Sensor (with continuously detect function)

Sensor Range: 10m x 220° (maximum)

Power source: AC 120V

Time adjustment: Fixed at 3 minutes approx.

Load Rating: J-Type 150 Watts Max.

FCC WARNING:

This device complies with part 15 of the FCC Rules. Operation is subject to the following two conditions: (1) This device may not cause harmful interference, and (2) this device must accept any interference received, including interference that may cause undesired operation.

Changes or modifications not expressly approved by the party responsible for compliance could void the user's authority to operate the equipment.