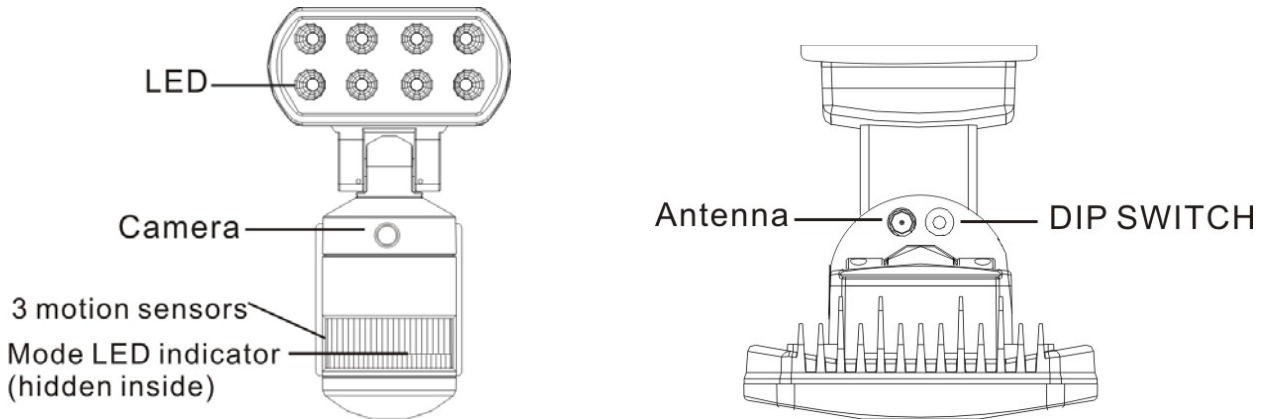


THE INTELLIGENT MOTION SENSOR TRACKING LIGHT

INSTALLATION INSTRUCTIONS

Read all instructions before proceeding with the installation

OVERVIEW OF AEC-9331CU-SP8



IMPORTANT: THE INTALLATION OF THIS FITTING MUST BE DONE BY A QUALIFIED ELECTRICIAN.

- This fitting must be earthed.
- Do not mount the luminaire against inflammable surfaces.
- The motion detector will not operate correctly if it is installed:
 - (I) Near the outlet of a central heating boiler
 - (II) Near air conditioning plant
 - (III) Pointing directly at moving vehicles
 - (IV) Within sight of reflection from moving water
 - (V) Where other lamps could shine onto the detector

WARNING !!!

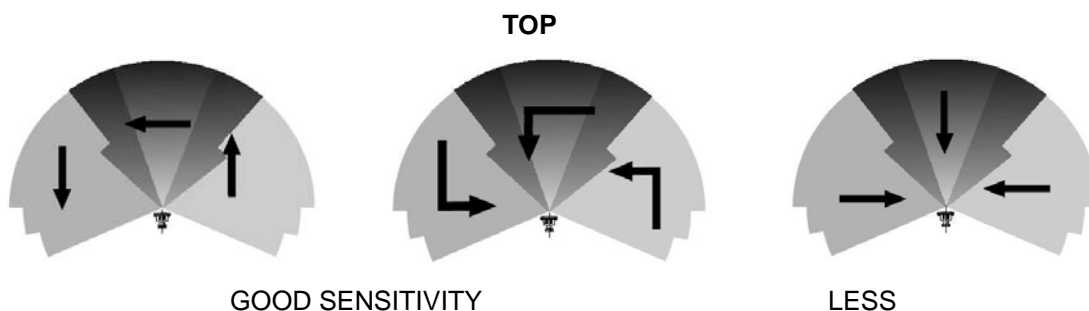
BEFORE ATTEMPTING ANY INSTALLATION OR MAINTENANCE, ENSURE THAT THE ELECTRICAL SUPPLY IS SWITCHED OFF AND THE CIRCUIT FUSES REMOVED OR THE CIRCUIT BREAKER IS IN THE "OFF" POSITION.

NOTE:

- * This highly responsive unit may occasionally activate due to rapid environmental changes. Allow for approximately 30 seconds warm-up time before the sensor resumes normal activity.
- * Please make sure the voltage and polarity are correct before connection. Incorrect voltage may cause electric shock. If you are not sure, please contact your retailer.
- * Do Not remove the tape until your finish the installation. If the tape comes off the light, please replace it or hold the light head to avoid swiveling and damage the product.

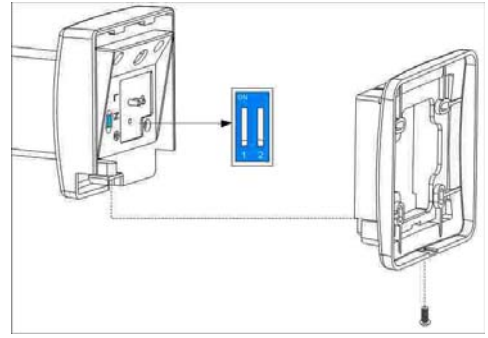
MOUNTING THE FITTING

To ensure correct operation of the sensor, mount the luminaire that traffic passes across the detector.



SETTING THE LIGHT UP TIME & SENSITIVITY

- Remove the back mounting box from the fixture by unscrewing the screw at the bottom.
 - Set the Light up time & Sensitivity you preferred
- 1 : Light activation time (OFF : 30 seconds / ON : 60 seconds)
2 : Light Sensitivity (OFF : 5m / ON : 10m)
- Re-fit the back mounting box and tighten the screw.

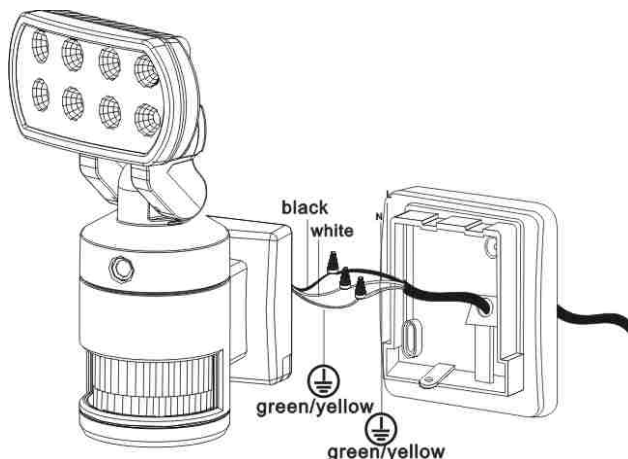
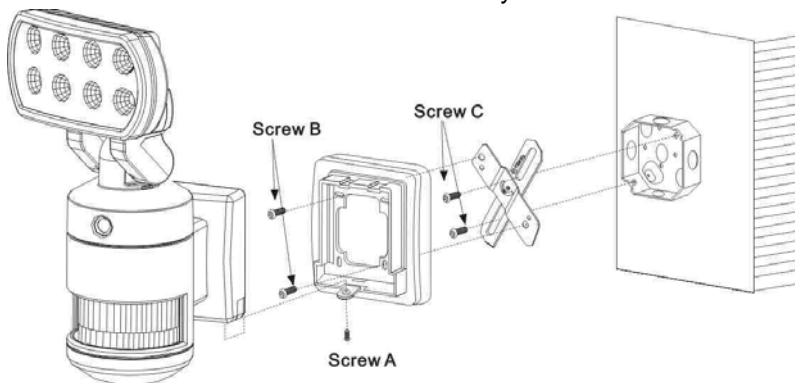


INSTALLATION AND WIRING INSTRUCTIONS

Remove the existing light fixture. Install crossbar lower plate as shown with two screws. Do not completely tighten central screws. Remove the base bracket from the light fixture. Align base bracket and a crossbar upper plate and secure it with two screws. Make sure the base bracket is straight. Tighten two central and two base bracket screws. Do not use excessive force. The recommended installation height of this light fixture is between 6.5 -10 ft.

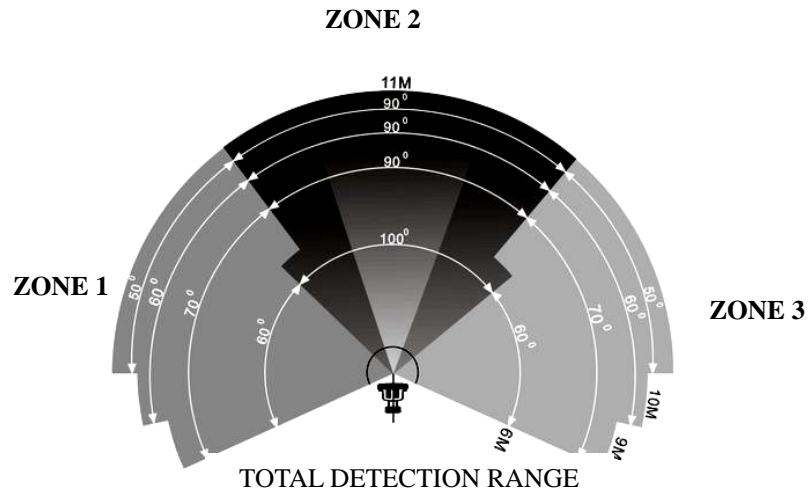
NOTE: DO NOT REMOVE THE TAPE UNTIL YOU FINISH THE INSTALLATION. IF THE TAPE COMES OFF THE LIGHT, PLEASE REPLACE IT OR HOLD THE LIGHT HEAD TO AVOID SWIVELING AND DAMAGE TO THE PRODUCT.

1. Attach the crossbar to junction box and fix by screw A.
2. Connect the black wire (live wire) from the AC power cord to the single black wire coming from Sensor Tracking Light using one of the supplied wire nuts.
3. Connect the white wire from the AC power cord to the white wire coming from Sensor Tracking Light using one of the supplied wire nuts.
4. Connect the green/yellow wire from the AC power cord to the green/yellow wire coming from Sensor Tracking Light using one of the supplied wire nuts.
5. Make sure the polarity is correct.
6. Attach the unit to the crossbar and fix by screw B and screw C.

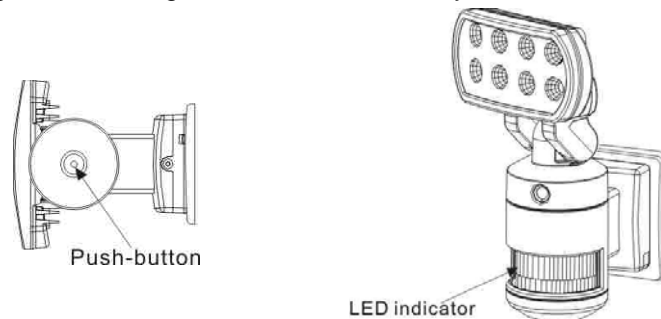


FUNCTION

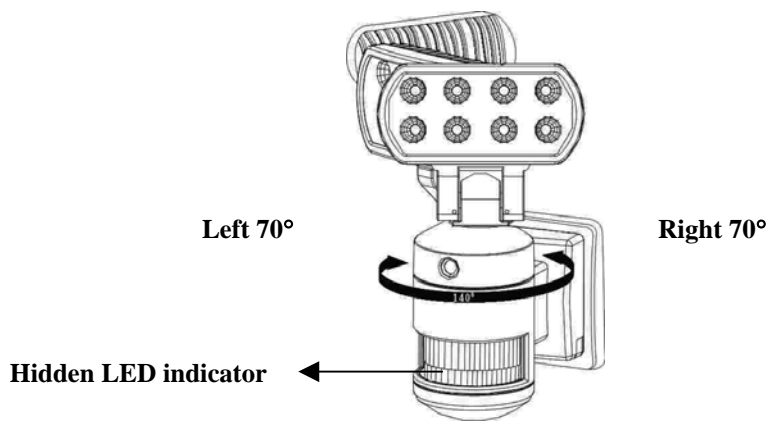
This light is equipped with 3 motion sensors: zone 1 covers 60 degree, zone 2 covers 100 degrees and zone 3 covers 60 degrees. 220 degrees (maximum) in total for 3 zones.



- The light will switch on for 30 /60 seconds and off automatically when heat/ movement is detected.
- The factory default: the mode is 「Nighttime Mode」 for light works at night, camera works all day.
- To change the mode to all day mode, push the button at the bottom of the housing and the hidden LED indicator will turn off at this mode. The light will be on at 30 /60 seconds when detecting any movement at all day.
- Push-button for programmable functions:
 - **All Day Mode:** light and camera work all day (the hidden LED indicator will turn on in RED)
 - **Nighttime Mode:** light works at night, camera works all day (the hidden LED indicator will turn off)



- Reset function: If the stepper motor of tracking light works abnormal, the hidden LED indicator will flash in red and the light will stop turning automatically. In All Day Mode, the red LED will flash for 3 times in 5 seconds and off for 5 seconds; in "Nighttime Mode", the red light will flash in regular pattern. Please simply switch off and on the main power to resume the tracking light. Below are the possible abnormal situations.
 - External force: the light head is blocked by objects or is blown by strong wind and is unable to turn properly, the hidden LED will flash in red to signal users the abnormal situation.
- Stepper motor: when stepper motor is going to be out of its lifetime or is damaged, the hidden LED will flash in red to signal users the abnormal situation. Please switch off and on the main power, the tracking light now may or may not resume its operation. If the stepper motor stops working, the fitting becomes a regular motion sensor security light.



OPERATION

1. Turn on the wall switch to activate the fitting, the fitting is now under Nighttime mode: light works at night and camera works all day. You will be able to view what the camera sees with the handheld LCD Monitor.

The camera operates 24 hours a day and is not controlled by the PIR sensors.

NOTE: Allow for approximately 30 seconds warm-up time before the sensor resumes normal activity.

2. To test, walk through the sensor's detection area.

3. Movement will activate the sensor and turn the light on, the light and camera will turn to face to the detected zone. the light will operate for the programmed time(30/60seconds). You will be able to see what or who has caused the PIR to activate with the handheld LCD Monitor.

4. After the PIR is activated, keep out of detection area and the light will switch off automatically after the programmed time (30/60 seconds). The light will be activated again when detecting any further movement.

If there is continuing movement in the detection zone, the light will stay on until movement ceases-after the programmed time

NOTE: THE INTELLIGENT MOTION SENSOR TRACKING LIGHT IS DESIGNED TO ILLUMINATE WHEN THE DETECTION AREA IS ENTERED BY A PERSON AND WILL DETECT MOVING HEAT SOURCE. THERE IS NO GUARANTEE IMPLIED THAT IT WILL PROVIDE TOTAL SECURITY OR PREVENT ILLEGAL ENTRY.

SPECIFICATION

Detection Method: Passive Infrared Sensor (with continuously detect function)

Sensor Range: 33ft (10 m) x 210° (maximum)

Camera: Color CMOS image sensor

View angle 60°

Transmission frequency: ISM 2.4GHz ARIB-T66

Power source: AC 100V-240V 50/60Hz

Time adjustment: 30 / 60 seconds

Sensitivity adjustment: 5m / 10m

OperationTemperature:0°C ~+50°C

FCC Caution: Any changes or modifications not expressly approved by the party responsible for compliance could void the user's authority to operate this equipment.

This device complies with Part 15 of the FCC Rules. Operation is subject to the following two conditions: (1) This device may not cause harmful interference, and (2) this device must accept any interference received, including interference that may cause undesired operation.

This device and its antenna(s) must not be co-located or operating in conjunction with any other antenna or transmitter.

