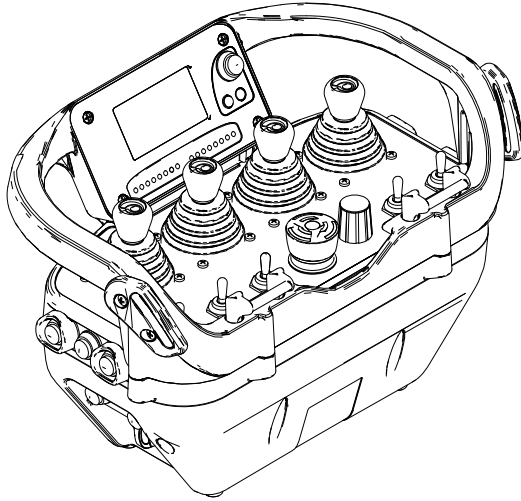


DYNAMIC SERIES

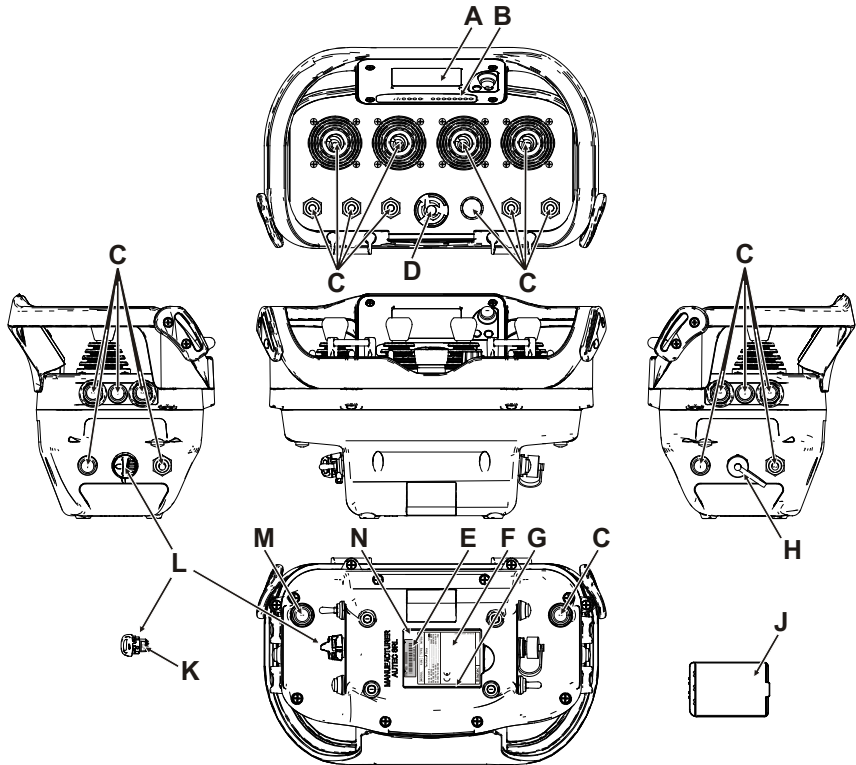
Part C: FJM transmitting unit



INDEX

1	Description	2
2	Technical data	3
3	Technical data sheet	3
4	Plates	4
5	Light signals	5
6	Actuators for the display	7
6.1	DISPLAY pushbutton	7
6.2	Six pushbuttons	8
7	Malfunction signalled by the transmitting unit	9

1 Description



A	Display or LED (if present)
B	LED
C	Actuators (joysticks, selectors, pushbuttons)
D	STOP pushbutton
E	Transmitting unit identification plate
F	Technical data plate
G	Radio remote control identification plate (if the "ID internal tx memory" is present)


H	Connector for wire control (if present)
J	Battery
K	Radio remote control identification plate (if the "Key ID 0-1" is present)
L	Power keyswitch
M	START pushbutton
N	Battery housing

2 Technical data

Power supply (battery MBM06MH)	7.2V==
Power supply (battery LPM02)	7.4V==
Power supply (battery LPM04)	7.4V==
Antenna	internal
Housing material	PA 6 (20%fg)
Protection degree	IP65 (NEMA 4)
Dimensions	310x210x190mm (12.2x8.3x7.5In)
Weight	2.5kg (5.5Lb)
Run time at 20°C (68°F):	
- with battery MBM06MH	11h
- with battery MBM06MH and monochromatic display 2.7"	9h
- with battery LPM02	18.5h
- with battery LPM02 and monochromatic display 2.7"	15h
- with battery LPM04	35h
- with battery LPM04 and monochromatic display 2.7"	28h
- with battery LPM04 and color display 4.3"	8h

3 Technical data sheet

The technical data sheet contains the transmitting unit configuration and shows the matching between commands sent and machine functions/movements. It also contains the wiring diagram showing the connection between the receiving unit and the machine. Each technical data sheet must be filled in, checked and signed by the installer, who is responsible for a correct wiring. A technical data sheet must always be kept together with this manual (always keep a copy of the technical data sheet when it is used for administrative purposes).

 WARNING	<p>The wiring of the receiving unit outputs must always reflect the wiring indicated in the technical data sheet.</p>
---	--

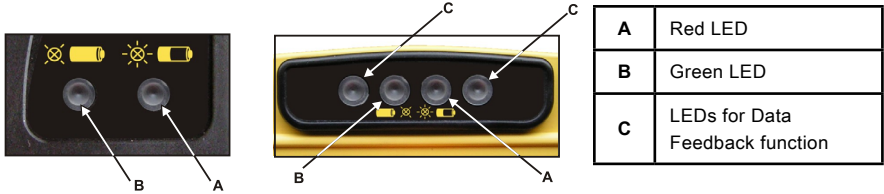
4 Plates

The transmitting unit has the following plates:

Plate	Position	Content
radio remote control identification plate	Key ID 0-1 (if present).	Radio remote control serial number (S/N).
	Battery housing (if the "ID internal tx memory" is present).	
transmitting unit identification plate	Battery housing.	Manufacturing year, bar code and transmitting unit identification number (TU ID).
technical data plate	Battery housing.	MODEL, TYPE and main transmitting unit technical data, marking and possible radio remote control marks.

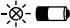

5 Light signals

The FJM transmitting units may have two or four LEDs.



In both cases, a green LED [B] and a red LED [A] are always available, and they provide information regarding the radio remote control.

If the unit has 4 LEDs, the side LEDs [C] are red and provide information coming from the machine (Data Feedback function).

Symbol	Meaning
	This symbol indicates the red LED [A].
	This symbol indicates the green LED [B].

The green LED [B] ...	Meaning
... is off.	The transmitting unit is switched off.
... blinks fast	The transmitting unit is switched on and there is no radio link.
... blinks slowly	The radio remote control is started and the radio link is present.

The red LED [A] ^a ...	Meaning
...is off.	The transmitting unit works correctly.
... blinks	The battery is nearly flat.
... illuminates for 2 seconds ^b	The transmitting unit does not work correctly.
... blinks once ^b	At power on, the transmitting unit detects that the STOP pushbutton is activated or damaged.
... blinks twice ^b	At power on, the transmitting unit detects that one of the commands D2-D20 or SAFETY is activated or damaged (see technical data sheet).
... blinks three times ^b	At power on, the transmitting unit detects that the battery is flat.
... blinks four times ^b	At power on, the transmitting unit detects that one of the commands A1-A8, L1-L8 and H1-H8 is activated or damaged (see technical data sheet).

- a. An acoustic signal is also heard when the red LED [A] is illuminated.
- b. After this signal, the transmitting unit switches off.

6 Actuators for the display

If the transmitting unit has a display, it can be used through a pushbutton (see paragraph 6.1) or six pushbuttons (see paragraph 6.2).

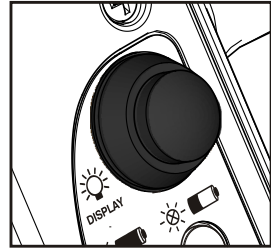
Functions carried out by these actuators are decided by the machine manufacturer: the user must be properly trained about them.


6.1 DISPLAY pushbutton


This pushbutton is used to:

- activate the display lighting, if it is off
- cyclically scroll the information on the display in two different modes:
 - manual: the lines scroll up each time the pushbutton is pressed
 - automatic: when the DISPLAY pushbutton is pressed for 3 seconds, the lines scroll automatically. If the DISPLAY pushbutton is pressed again, it switches back to manual mode.

It is not possible to scroll the lines if icons only are displayed. The display lighting stays on for a time set by the machine manufacturer.

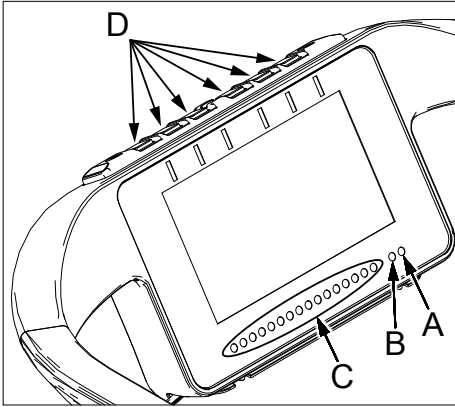


Symbol	Meaning
 DISPLAY	This symbol identifies the DISPLAY pushbutton.

	The DISPLAY pushbutton may perform different functions from that described above according to what defined by the machine manufacturer.
--	---

6.2 Six pushbuttons

Functions carried out by the six pushbuttons in order to manage the display, are configurable and are defined by the machine manufacturer.



A	Red LED
B	Green LED
C	LEDs for Data Feedback function
D	Pushbuttons to manage the 4.3" display

7 Malfunction signalled by the transmitting unit

Use the light signals on the transmitting unit to identify the radio remote control malfunction. If the problem persists after the suggested solution has been carried out, contact the support service of the machine manufacturer.

Signals	Possible reason	Solutions
The green LED does not switch on when the START pushbutton is pressed, even though both the battery and the power keyswitch are inserted.	The battery is flat.	Replace the battery with a charged one.
The green LED blinks fast.	No radio link.	Bring the transmitting unit closer to the receiving unit.
The red LED switches on for 2 seconds and then the unit switches off.	The transmitting unit does not work correctly.	Perform the procedure to save the address. Contact the support service of the machine manufacturer.
The red LED blinks once during start up.	The STOP pushbutton is locked or damaged.	Unlock the STOP pushbutton. If this signal persists, contact the support service of the machine manufacturer.
The red LED blinks twice during start up.	At least one of the actuators corresponding to commands D2-D20 and SAFETY is activated or damaged.	Bring the actuators to the rest position. If this signal persists, contact the support service of the machine manufacturer.
The red LED blinks three times during start up.	The battery is flat.	Replace the battery with a charged one.
The red LED blinks four times during start up.	At least one of the actuators corresponding to commands A1-A8, L1-L8, H1-H8 and SAFETY is activated or damaged.	Bring the actuators to the rest position. If this signal persists, contact the support service of the machine manufacturer.

- c. Procedure to save the address
- press the STOP pushbutton
 - press the START pushbutton and do not release it until the green LED switches off
 - unlock the STOP pushbutton

