

# DYNAMIC SERIES

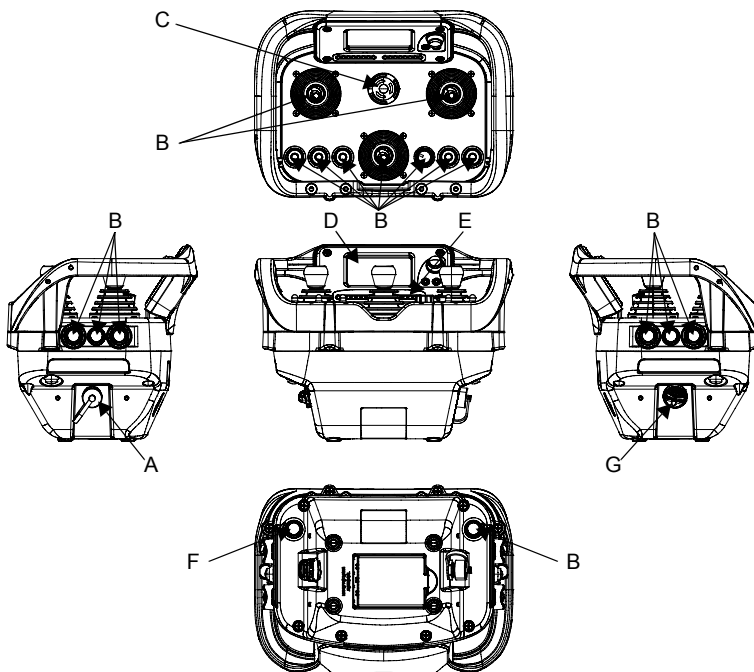
## Part C: FJR transmitting unit



### INDEX

1 Description .....	C - 2
2 Technical data .....	C - 3
3 Technical data sheet .....	C - 3
4 Plates .....	C - 4
5 Light signals .....	C - 4
6 Malfunction signalled by the transmitting unit .....	C - 6

# 1 Description



<b>A</b>	connector for wire control (if present)	<b>B</b>	actuators (joysticks, selectors, pushbuttons)
<b>C</b>	STOP pushbutton	<b>D</b>	display or LED (if present)
<b>E</b>	LEDs	<b>F</b>	START pushbutton
<b>G</b>	S-KEY (electronic starting key)		

## 2 Technical data

---

Power supply (battery MBM06MH).....	NiMH 7.2 V=
Antenna .....	internal
Housing material .....	PA 6 (20% fg)
Protection degree .....	IP65 (NEMA 4)
Dimensions .....	260 x 200 x 190 mm (10.2 x 7.9 x 7.5 In)
Weight .....	2.0 kg (4.4 Lb)
Run time (at 20°C / 68°F) .....	11 h
Run time with Data Feedback (at 20°C / 68°F) .....	9.5 h
Run time with Low Power (at 20°C / 68°F) .....	14 h
Run time with Data Feedback and Low Power (at 20°C / 68°F) .....	12.5 h

## 3 Technical data sheet

---

The technical data sheet contains the transmitting unit configuration and shows the matching between commands sent and machine functions/movements. It also contains the wiring diagram showing the connection between the receiving unit and the machine.

Each technical data sheet must be filled in, checked and signed by the installer, who is responsible for a correct wiring.

A copy of the technical data sheet must always be kept together with this manual (always keep a copy of this data sheet for administrative purposes).



**The wiring of the receiving unit outputs must always reflect the wiring indicated in the technical data sheet.**

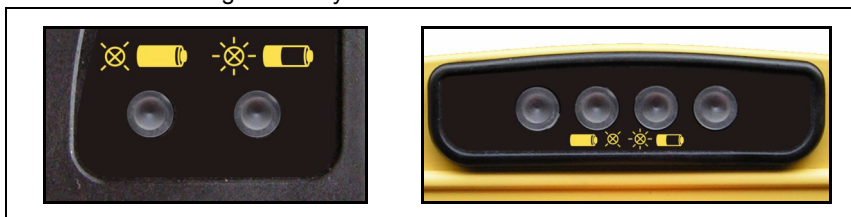
## 4 Plates

The transmitting unit has three plates.


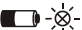
Plate	Position	Content
<b>radio remote control identification plate</b>	On the S-KEY: remove the S-KEY to read the plate.	Radio remote control serial number (S/N).
<b>transmitting unit identification plate</b>	In the battery housing: remove the battery to read the plate.	Manufacturing year, bar code and transmitting unit identification number (TU ID).
<b>technical data plate</b>	In the battery housing: remove the battery to read the plate.	MODEL, TYPE and main transmitting unit technical data, marking and possible radio remote control marks.


## 5 Light signals


The FJR transmitting units may have two or four LEDs.



In both cases, two LEDs are always available, providing information regarding the radio remote control.

- a green LED identified with 
- a red LED identified with 

 The green LED ...	Meaning
... is off	The transmitting unit is switched off.
... blinks fast	The transmitting unit is switched on and there is no radio link.
... blinks slowly	The radio remote control is started and the radio link is present.

 <b>The red LED<sup>a</sup> ...</b>	<b>Meaning</b>
... is off	The transmitting unit works correctly.
...blinks	The battery is nearly flat.
... is on for 2 seconds <sup>b</sup>	The transmitting unit does not work correctly.
... blinks once <sup>b</sup>	At power on, the transmitting unit detects that the STOP pushbutton is activated or damaged.
... blinks twice <sup>b</sup>	At power on, the transmitting unit detects that one of the commands D2-D20 or SAFETY is activated or damaged (see technical data sheet).
... blinks three times <sup>b</sup>	At power on, the transmitting unit detects that the battery is flat.
... blinks four times <sup>b</sup>	At power on, the transmitting unit detects that one of the commands A1-A8, L1-L8 and H1-H8 is activated or damaged (see technical data sheet).

a. An acoustic signal is also heard when the red LED is illuminated.

b. After this signal, the transmitting unit switches off.

- If it has 4 LEDs, the side LEDs are red and provide information coming from the machine (Data Feedback function).

## 6 Malfunction signalled by the transmitting unit

Use the light signals on the transmitting unit to identify the radio remote control malfunction.

If the problem persists after the suggested solution has been carried out, contact the support service of the machine manufacturer.

Signals	Possible reason	Solutions
The green LED does not switch on when the START pushbutton is pressed, even though both the battery and the S-KEY are inserted.	The battery is flat.	Replace the battery with a charged one.
The green LED blinks fast.	No radio link.	Bring the transmitting unit close to the receiving unit.
The red LED switches on for 2 seconds and then the unit switches off.	The transmitting unit does not work correctly.	Perform the procedure to save the address.** Contact the support service of the machine manufacturer.
The red LED blinks once during start up.	The STOP pushbutton is locked or damaged.	Unlock the STOP pushbutton. If this signal persists, contact the support service of the machine manufacturer.
The red LED blinks twice during start up.	At least one of the actuators corresponding to commands D2-D20 and SAFETY is activated or damaged.	Bring the actuators to the rest position. If this signal persists, contact the support service of the machine manufacturer.
The red LED blinks three times during start up.	The battery is flat.	Replace the battery with a charged one.
The red LED blinks four times during start up.	At least one of the actuators corresponding to commands A1-A8, L1-L8, H1-H8 and SAFETY is activated or damaged.	Bring the actuators to the rest position. If this signal persists, contact the support service of the machine manufacturer.

\*\* Procedure to save the address

- press the STOP pushbutton
- press the START pushbutton and do not release it until the green LED switches off
- unlock the STOP pushbutton



