

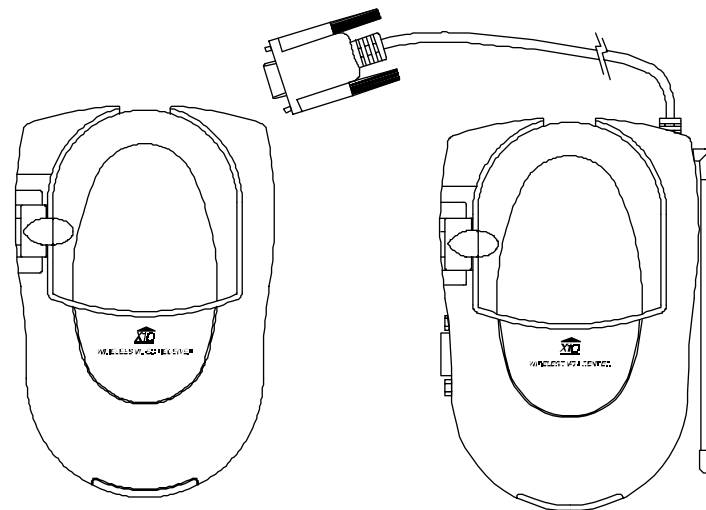


VGA Video Sender

OWNER'S MANUAL

MODEL VK60A

(INCLUDES VT36A SENDER AND VR30A RECEIVER)



VR30A

VT36A

www..com[®]



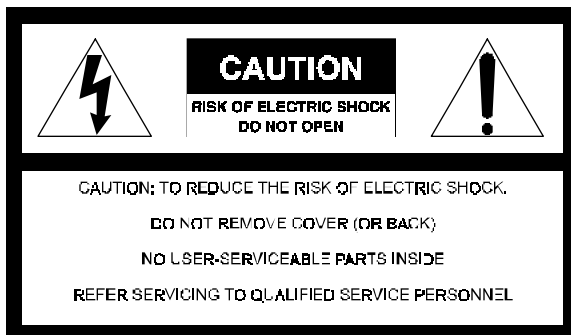


INTRODUCTION

Your Wireless Big Picture VGA Video Sender kit consists of a Sender base unit which connects to the audio out jack and the VGA output on your PC, and a Receiver unit which you connect to your TV. The Sender converts the audio signal from your PC's sound card, and the VGA video from your PC's video card into a radio frequency (RF) signal and transmits it (even through walls) to the Receiver unit. The Receiver converts the signals back to their original form and passes them to your TV.

WARNING:

To reduce the risk of fire or electric shock, do not expose this product to rain or moisture.



FCC CAUTION

THIS DEVICE COMPLIES WITH PART 15 OF THE FCC RULES.

OPERATION IS SUBJECT TO THE FOLLOWING TWO CONDITIONS:

- (1) THIS DEVICE MAY NOT CAUSE HARMFUL INTERFERENCE, AND
- (2) THIS DEVICE MUST ACCEPT ANY INTERFERENCE RECEIVED, INCLUDING INTERFERENCE THAT MAY CAUSE UNDESIRABLE OPERATION.

This equipment generates and uses radio frequency energy, and if not installed and used properly, that is, in strict accordance with the manufacturer's instructions, it may cause interference to radio and television reception. It has been type tested and found to comply with the limits for remote control devices in accordance with the specifications in Sub-Parts B and C of Part 15 of FCC Rules, which are designed to provide reasonable protection against such interference in a residential installation. However, there is no guarantee that interference will not occur in a particular installation. If this equipment does cause interference to radio or television reception, which can be determined by unplugging the equipment, try to correct the interference by one or more of the following measures.

- Reorient the antenna of the radio/TV experiencing the interference.
- Relocate the equipment with respect to the radio/TV.
- Move the equipment away from the radio/TV.
- Plug the equipment into an outlet on a different electrical circuit from the radio/TV experiencing the interference.
- If necessary, consult your local Dealer for additional suggestions.

NOTE: Modifications to this product will void the user's authority to operate this equipment.

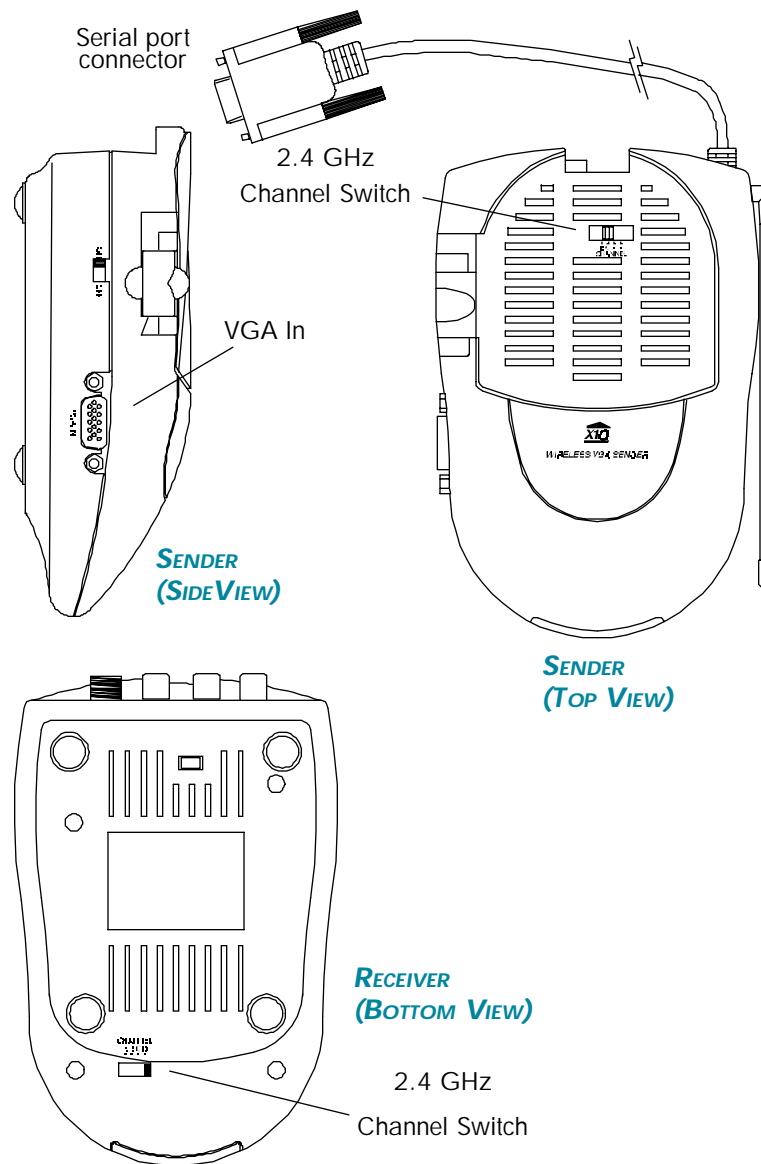
SYSTEM REQUIREMENTS

To use the Big Picture system your PC must have a serial port, a VGA out port (that normally connects to your monitor) and a sound card with mono or stereo output.

CONTENTS

CONTROLS AND CONNECTIONS	5
SENDER.....	6
RECEIVER	7
BEFORE YOU START	8
CONNECTING UP	9
HOOKING UP THE SENDER	9
HOOKING UP THE RECEIVER	10
FINE TUNING YOUR SYSTEM	12
TROUBLESHOOTING	13

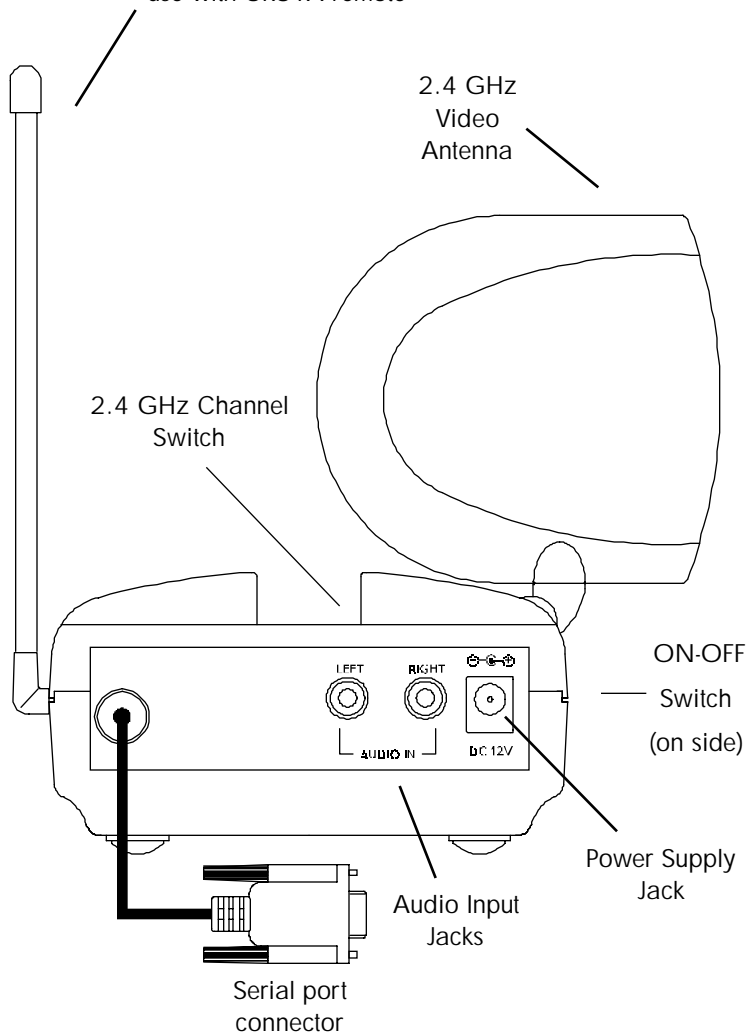
CONTROLS AND CONNECTIONS



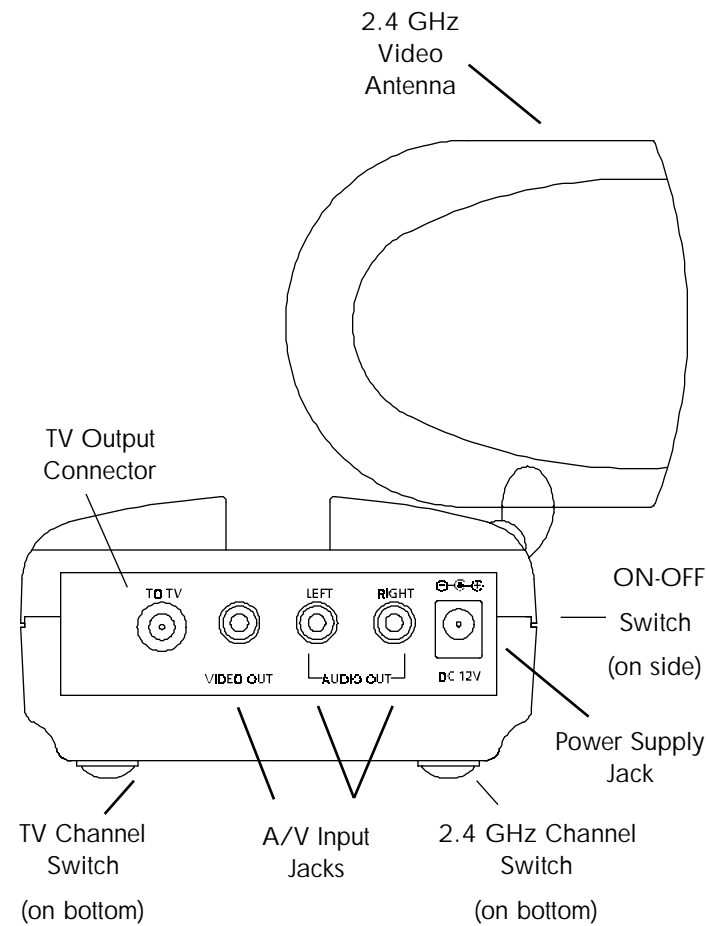


SENDER

310 MHz Antenna for use with UR81A remote



RECEIVER



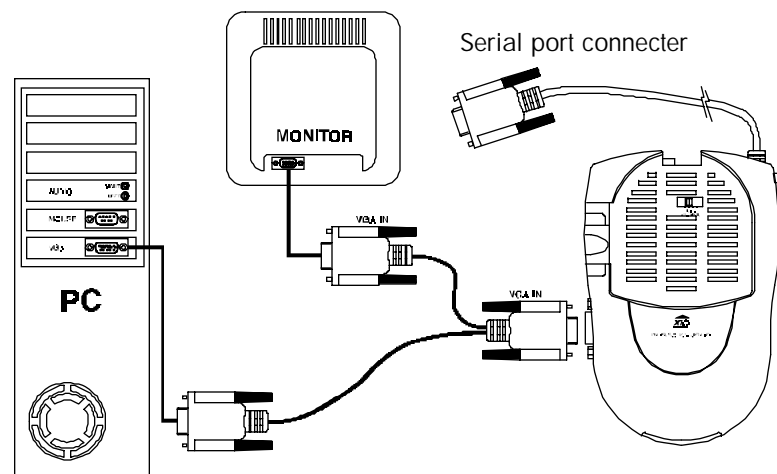
BEFORE YOU START

Before you start installing your Big Picture System it is recommended that you read this entire owner's manual. This will familiarize you with the basic hardware installation. Then install the hardware. You will then be able to see a picture from your PC on our TV screen. You can then visit www.x10.com/software and download the "Boom" program there, which will give you control over what is sent from your PC to your TV.

CONNECTING UP

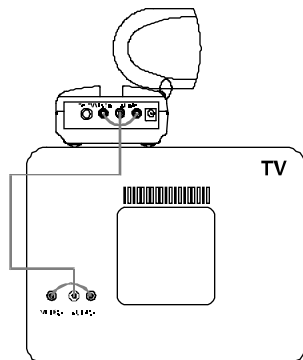
HOOKING UP THE VGA SENDER

1. Connect the jack on the audio cable (supplied) to the audio out jack on your PC sound card.
2. Connect the red RCA plug to the socket labelled AUDIO RIGHT and the white RCA plug to the jack labeled AUDIO LEFT on the VGA Video Sender.
3. Connect the VGA cables as show below so that the VGA out from your PC connects to the VGA input on the VT36A and then also passes to the VGA input on your monitor.
4. Connect the serial port connector to your PC's serial port.
5. Set the channel switch (on the TOP of the unit) to channel A (to the RIGHT).
6. Plug the VGA Video Sender's Power Supply (the smaller of the two power supplies) into a convenient 120 volt wall outlet and plug its jack into the VGA Video Sender.
7. Position the VGA Video Sender in a convenient location and orient the antenna so that the flat side points in the direction of the room where you will be installing the Video Receiver.



HOOKING UP THE AUDIO RECEIVER

1. Connect a set of Audio/Video cables to the A/V OUT jacks of your Video Receiver. Connect the other end to your secondary TV.

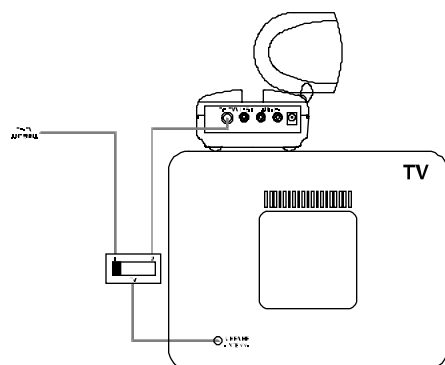


2. Plug the Video Receiver's Power Supply (the larger of the two power supplies) into a 120 volt wall outlet and plug its jack into the Video Receiver.
3. Position the Video Receiver in a convenient location such as on top of the TV and orient the antenna so that the flat side points in the direction of the room where you set up the Video Sender.

IF YOUR TV DOES NOT HAVE A/V CONNECTORS

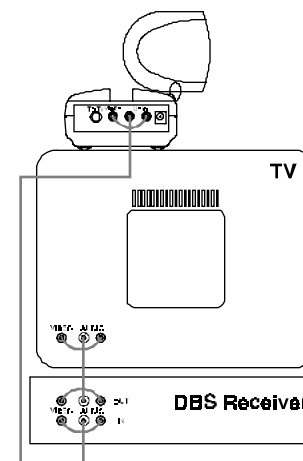
You can use the supplied coaxial cable to connect the TV OUT socket on the Video Receiver to the Antenna input on your TV. If you already have an antenna connected to your TV, you will need to use a TV antenna splitter.

Set your TV and the TV Channel switch on the Video Receiver (on bottom) to the same channel (3 or 4).



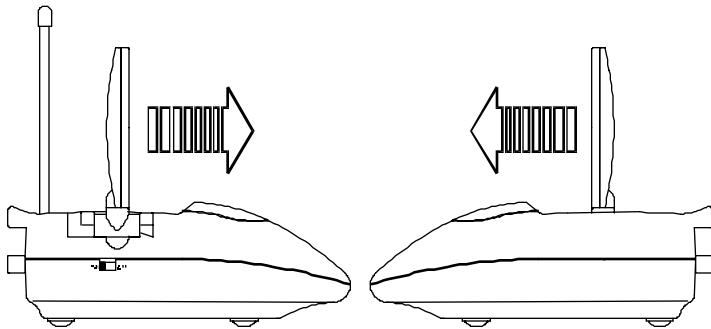
IF YOUR SECOND TV IS ALREADY HOOKED UP TO A DBS RECEIVER OR OTHER A/V DEVICE

If your DBS Receiver or other A/V component is connected to the TV using A/V cables, you can connect the Video Receiver to the free LINE IN jacks on the component. If there are no LINE IN jacks, you will need to use a TV antenna splitter as described earlier.



FINE TUNING YOUR SYSTEM

The Wireless VGA Video Sender usually works best with the flat faces of the antennas on the Sender and Receiver units facing each other (see diagram below). Sometimes, however, reflections and other effects in your home may affect the signal so that some adjustment of either the Sender or Receiver antenna might be necessary to get the best the signal.



TROUBLESHOOTING

IF YOU ARE NOT GETTING ANY AUDIO OR VIDEO AT ALL FROM THE VR30A

- Check that the CHANNEL slide switch (labeled A, B, C, D) on both units is set to the same letter.
- Check that both the transmitter and receiver's power supplies are plugged in. Check that the ON/OFF switch on the transmitter and receiver are ON.

IF THE SOUND OR VIDEO IS POOR, OR THERE IS INTERFERENCE

- Try changing the channel on both units. Do this by adjusting the CHANNEL slide switch on each unit to any position (A, B, C, or D).
- Make sure both units are set to the same letter. Try repositioning the antenna on each unit.



NOTES



12 MONTH LIMITED WARRANTY



X10.COM A DIV. OF X10 WIRELESS TECHNOLOGY, INC. (X10) WARRANTS ITS PRODUCTS TO BE FREE FROM DEFECTIVE MATERIAL AND WORKMANSHIP FOR A PERIOD OF ONE (1) YEAR FROM THE ORIGINAL DATE OF PURCHASE AT RETAIL. X10 AGREES TO REPAIR OR REPLACE, AT ITS SOLE DISCRETION, A DEFECTIVE X10 PRODUCT IF RETURNED TO X10 WITHIN THE WARRANTY PERIOD AND WITH PROOF OF PURCHASE.

IF SERVICE IS REQUIRED UNDER THIS WARRANTY:

1. CALL 1-800-675-3044, OR VISIT WWW.X10.COM, OR E-MAIL SALES@X10.COM TO OBTAIN A RETURN AUTHORIZATION (RA) NUMBER.
2. RETURN THE DEFECTIVE UNIT POSTAGE PREPAID TO THE ADDRESS ON BACK.
3. ENCLOSE A CHECK FOR \$4.00 TO COVER HANDLING AND RETURN POSTAGE.
4. ENCLOSE A DATED PROOF OF PURCHASE.
5. X10 IS NOT RESPONSIBLE FOR SHIPPING DAMAGE. UNITS TO BE RETURNED SHOULD BE PACKED CAREFULLY.

THIS WARRANTY DOES NOT EXTEND TO ANY X10 PRODUCTS WHICH HAVE BEEN SUBJECT TO MISUSE, NEGLIGENCE, ACCIDENT, INCORRECT WIRING OR TO USE IN VIOLATION OF OPERATING INSTRUCTIONS FURNISHED BY US, NOR EXTEND TO ANY UNITS ALTERED OR REPAIRED FOR WARRANTY DEFECT BY ANYONE OTHER THAN X10. THIS WARRANTY DOES NOT COVER ANY INCIDENTAL OR CONSEQUENTIAL DAMAGES AND IS IN LIEU OF ALL OTHER WARRANTIES EXPRESSED OR IMPLIED AND NO REPRESENTATIVE OR PERSON IS AUTHORIZED TO ASSUME FOR US ANY OTHER LIABILITY IN CONNECTION WITH THE SALE OF OUR PRODUCTS.

SOME STATES DO NOT ALLOW LIMITATIONS ON HOW LONG AN IMPLIED WARRANTY LASTS, AND/OR THE EXCLUSION OR LIMITATION OF INCIDENTAL OR CONSEQUENTIAL DAMAGES SO THE ABOVE LIMITATIONS AND EXCLUSIONS MAY NOT APPLY TO THE ORIGINAL CUSTOMER. THIS WARRANTY GIVES YOU SPECIFIC RIGHTS AND YOU MAY ALSO HAVE OTHER RIGHTS WHICH VARY FROM STATE TO STATE.





**X10.com, a division of X10 Wireless Technology, Inc.
(Returns Depot), 3824 North 5th St., Suite C,
North Las Vegas, NV 89030**

VK60A-04/01

