

Smart Phone Control Kit

Transceiver Installation Instructions

Garage Door Openers

TRANSCEIVER KIT NTR-1V1 - ORDER NO. 14825		
ITEM	DESCRIPTION	QTY
1	NETWORK TRANSCEIVER NTR-1V1 AY	1
2	TIMING HARNESS 400MM VR12 AY	1
3	TAPTITE SCREW "P" M4 X 12	2
4	VELCRO 20 X 50	1



Any changes or modifications not expressly approved by Automatic Technology could void the user's authority to operate this equipment.

CLASS B DEVICE

CAN ICES-3 (B)/NMB-3 (B)

This equipment has been tested and found to comply with the limits for a Class B digital device, pursuant to Part 15 of the FCC Rules. These limits are designed to provide reasonable protection against harmful interference in a residential installation. This equipment generates, uses and can radiate radio frequency energy and, if not installed and used in accordance with the instructions, may cause harmful interference to radio communications. However, there is no guarantee that interference will not occur in a particular installation. If this equipment does cause harmful interference to radio or television reception, which can be determined by turning the equipment off and on, the user is encouraged to try to correct the interference by one or more of the following measures:

- Reorient or relocate the receiving antenna
- Increase the separation between the equipment and receiver
- Connect the equipment into an outlet on a circuit different from that to which the receiver is connected.
- Consult the dealer or experienced radio/TV technician for help.



This device allows for unattended operation of the door when not in line-of-sight of the door opener.

The door may operate unexpectedly, therefore do not allow anything to stay in or near the path of the door. When the door is not operating automatically, watch the door when it is moving and keep people away until the door is completely opened or closed. **Contact with the moving door can cause serious personal injury or damage to property.**



Your opener must be fitted with **SAFETY BEAMS**. Safety Beams detect any obstructions in the door's path and override automatic operation if one presents. These must be installed as in accordance with UL 325 and CSA C222.2 No 247.

This is in addition to regular professional servicing, and monthly obstruction tests as detailed in your opener's Home Owners Manual.

Important Safety Instructions



WARNING!

- **DO NOT** attempt to disassemble, repair or modify the product. This will invalidate the warranty.
- Do not allow children to play with the Base Station or your smart phone if the B&D phone app has been installed.



ELECTROCUTION!

- Keep the device away from water and other liquids. In the event that water or other liquids enter the device, power off the product immediately and clean the device.
- To reduce the risk of fire or electric shock, do not expose this device to rain or moisture. The device should not be exposed to dripping or splashing.
- **DO NOT** remove the cover as there are no user-serviceable parts inside.

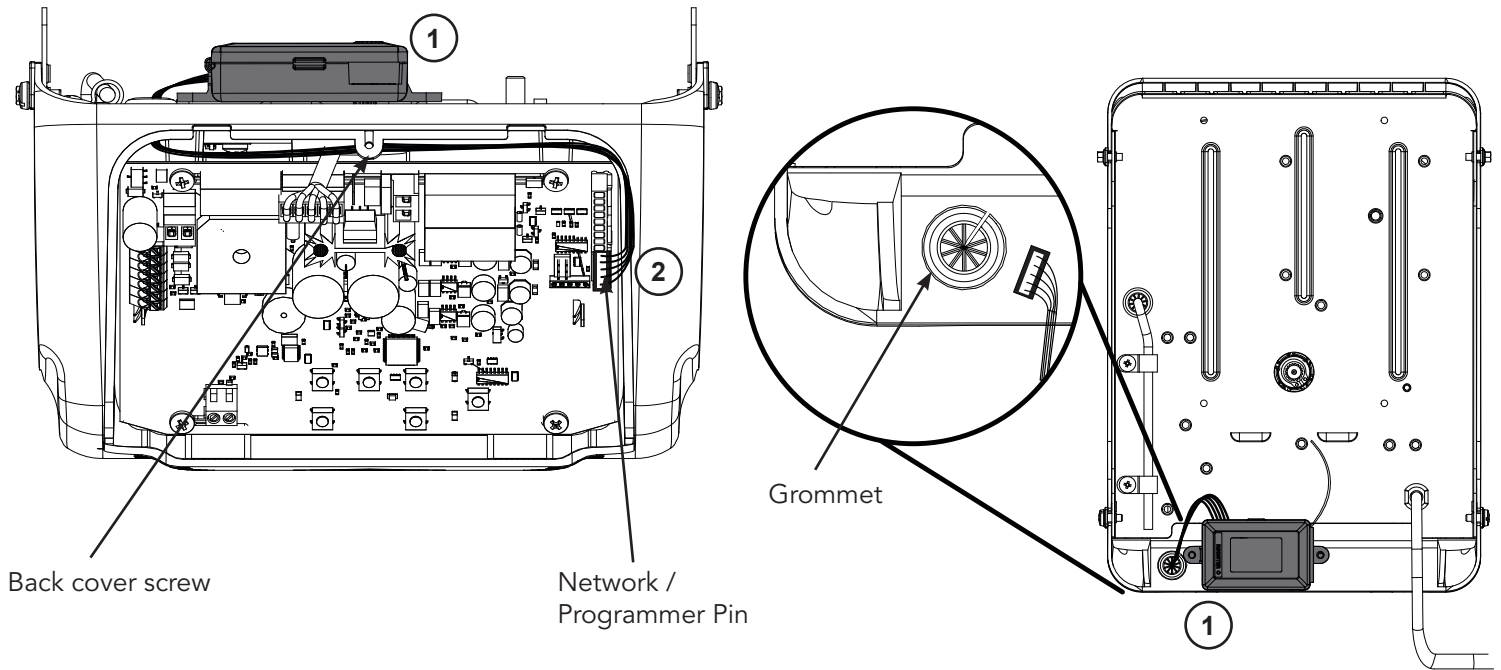


CAUTION:

Fall from ladder

- Ensure ladder is the correct type for job.
- Ensure ladder is on flat ground.
- Ensure user has 3 points of contact while on ladder.

AM-808 Installation Instructions



AM-808 Door Openers

ITEM	DESCRIPTION	QTY
1	NETWORK TRANSCEIVER NTR-1V1 AY	1
2	TIMING HARNESS 400MM VR12 AY	1
4	VELCRO 20 X 50	1

Preparation of Opener

- Disconnect the power supply to the opener.
- Remove the cover or back cover via screw at top.
- Remove the grommet out of the chassis.
- Cut (1) one side of the grommet with a knife or scissors.
- Slide the network timing harness (2) into the cut in the grommet.
- Refit grommet to chassis by sliding the harness through hole before fitting grommet.
- Connect the harness to the network / programmer pin on the control board.
- Refit the cover.

Mount and connect Transceiver

- Plug the other end of the harness into the transceiver (1).
- Using the velcro (4) stick the transceiver (1) on the top of the opener as shown.

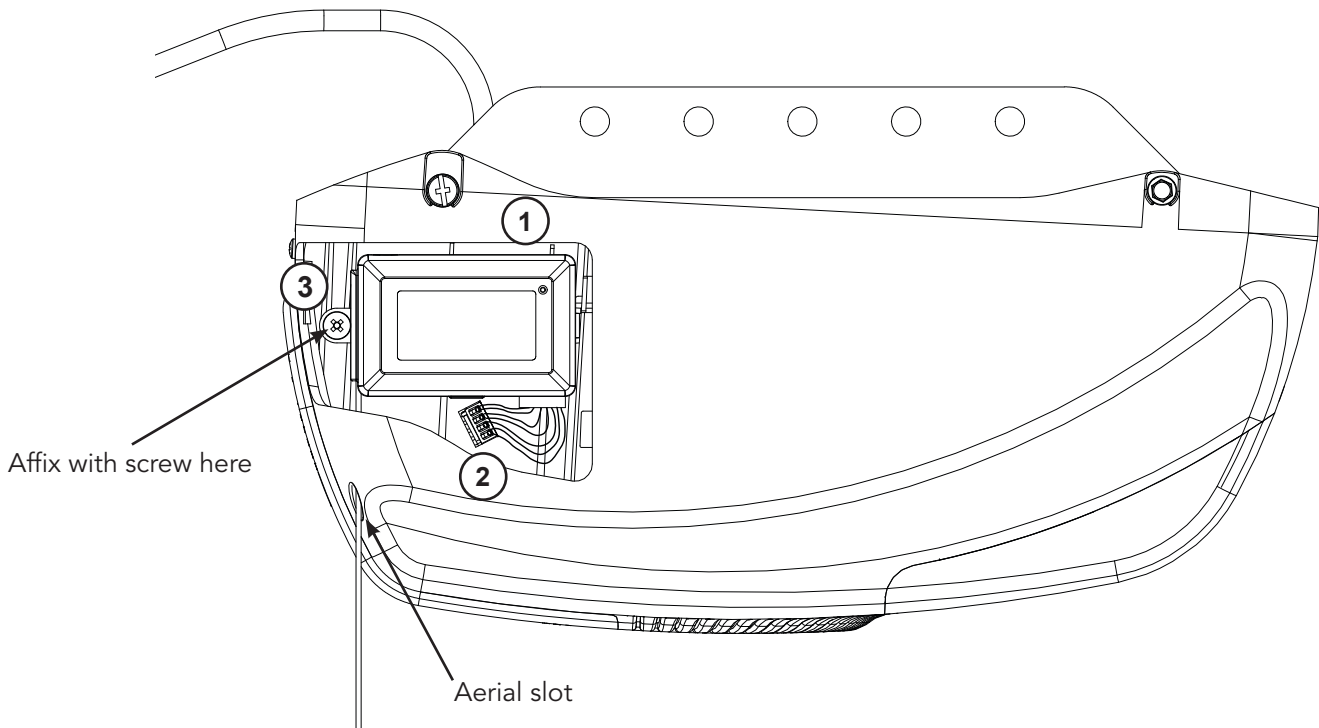


WARNING: DO NOT drill into the chassis or covers. No screws are required to secure the transceiver.

Re-setup and Test the Opener

- Reconnect power and remove the button cover.
- Setting Limits:
 - If limits have not been set, follow the openers installation sheet to set limits.
 - If limits were set previously, clear limits and follow openers installation sheet to set limits.
- Refer to the Smart Phone Control Kit User Guide to set up network capabilities.

AM-888 Installation Instructions



AM-888 Door Openers

ITEM	DESCRIPTION	QTY
1	NETWORK TRANSCEIVER NTR-1V1 AY	1
2	TIMING HARNESS 400MM VR12 AY	1
3	TAPTITE SCREW "P" M4 X 12	2

Preparation of Opener

- Disconnect the power supply to the opener.
- Open the side cover on the right hand side (looking from back of unit).
- Connect the harness (2) to the network / programmer pin on the control board.
- Place the transceiver (1) inside the cover, threading the aerial through the slot provided and affix with one (1) Taptite Screw (3).
- Refit the cover.

Re-setup and Test the Opener

- Reconnect power and remove the button cover.
- Setting Limits:
 - If limits have not been set, follow the openers installation sheet to set limits.
 - If limits were set previously, clear limits and follow openers installation sheet to set limits.
- Refer to the Smart Phone Control Kit User Guide to set up network capabilities.

To comply with FCC/IC RF exposure limits for general population / uncontrolled exposure, the antenna(s) used for this transmitter must be installed to provide a separation distance of at least 20cm from all persons and must not be co-located or operating in conjunction with any other antenna or transmitter.

automatic
TECHNOLOGY

6 - 8 Fiveways Boulevard, Keysborough, VIC, Australia 3173
P: 1300 133 944 E: sales@automatictechnology.com.au
W: www.automatictechnology.com.au