

User's Manual



Model No: BTHS-063

Important safety instruction

If used in the correct method, this design and production of this product can ensure your personal safety completely. However, any inappropriate use may lead to potential risk and danger of electric shock or fire hazard. Please read all the safety instructions before installing and using the product. In particular, attention shall be given to the following information:

1. It needs to be stored or used in the ambient temperature.
2. It shall not be placed in water or wet locations.
3. It can't be disposed randomly for it may cause environmental pollution.
4. Without approval, It shall not be disassembled or repaired.
5. The built-in lithium battery can't be disposed in the fire or other places to prevent causing fire hazards.
6. It shall be cleaned with dry cloth.
7. Whenever there is damage, it needs to be repaired by professional personnel.

Charging the battery

Fully charge the battery for about 3.5 hours before using the battery for the first time.

1. Plug the smaller end of USB charging cable into the Micro-USB interface of the connector.
2. Next, plug the other end of USB charging cable into other power charging devices or a computer with the power on.

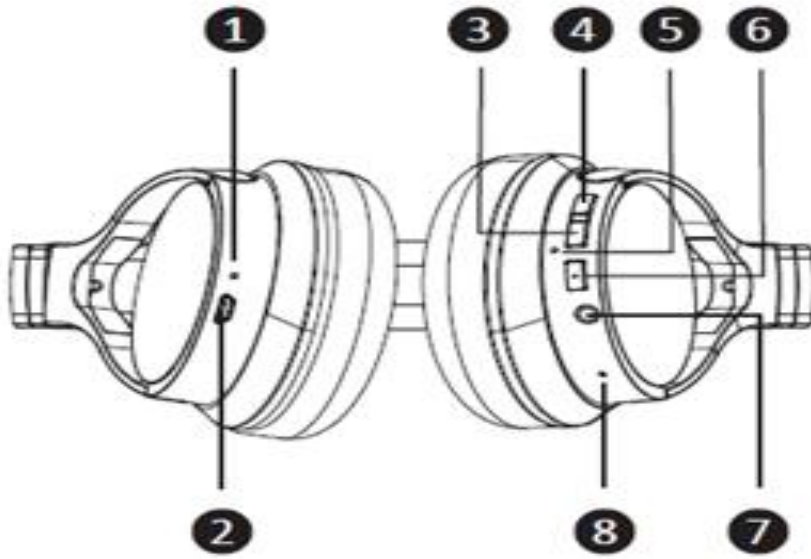
Status	LED indicator
Low battery	When power is less than 10%, the battery voltage will lower 3.3V, then there will be a voice prompt "dududu", while the RED LED flashes twice per second---this alarm occurs every two minutes. when the voltage is lower 3.1V,the earphone will shut down automatically
Charging	The red light solid on.
Fully charged	The red indicator will go out .

Package content

1. Wireless headphone
2. Micro USB charging cable
3. 3.5mm audio cable
4. Quick user guide
5. PU bag

Earphone indicator

- 1.LED Charging indicator
- 2.Charging Port
- 3.Volume-/Previous Track
4. Volume+/Next Track
5. LED Indicator
- 6.Power Button
7. AUX Port
- 8.MicroPhone



Product feature

Pairing name	B036
Li-battery capability	400 mAh
Talking time	20hours
Playing time	20 hours
Charging time	3.5 hours
Charger mode	Micro USB 5V/1A
Straight-line distance	≥10m

Operation instructions

Operation instructions			
function	Key operation	description	LED status
power on	Long press power button for 3s	At Power off state, press power button for 3s, there is voice prompt "Dudududu". Loose the button, it will go into pairing state automatically if it's first device pairing; if the Bluetooth devices information existed before, it will go into standby state directly (headset re-pairs automatically in 3 minutes). it will power off if 10minutes no connection at standby state.	Blue LED light on for 2s, then it flash in an alternating pattern (200mS)
Power off	Long Press power button for 4s	At Power on state, press power button for 3s, there is voice prompt "dudududu"	Red LED light on 2s and then go off
Pairing	Press power button for 5s	At Power off state, long press power button for 5s, and it will go into pairing state while there is a voice prompt "dududu". At the same time the headphone will be detected by other device, but if it's not connected within 3 minutes, the	Red and blue LED flash alternately

		headphone will go into standby status.	
connection status	N/A	There have voice prompt “Di”when Bluetooth pairing successfully	Blue LED flash twice every 5s
Re-pairing Automatically	Click power button	Click power button at standby station, the headphone will enter into the repairing list	Blue LED flashes in an 200ms interval
Disconnect(automatically)		If the phone disconnects automatically, there is no prompt, the headphone to into standby status .	Blue LED flashes in an 200ms interval
Disconnect		When the distance is out of range, the headphone will go into re-pair status in 3minutes; it will go into standby status in 10 minutes no connection ; also it will closed automatically if no connection after 10 minutes.	Blue LED flashes in an 200ms interval
Play	Short press power button	Short press power button can replay the media while the headphone is in pause status	Blue LED Flashes twice every 5sec
Pause	Short press power button	Short press power button can pause the media while the headphone is in play status	Blue LED Fresh twice every 5sec
Volume up	Short press Volume+(15 Level)	Short press Volume+ can increase the volume level while on music playing mode or talk mode, there will hear "beep" while the volume is to Max	Blue LED Fresh twice every 5sec
Volume down	short press Volume-“(15 Level)	Short press Volume- can decrease the volume level while on music playing mode or talk mode, there will hear "Di" at min volume while the volume is to Min	Blue LED Fresh twice every 5sec
Next Track	Long Press Volume+	Long press Volume+ to go to next song	Blue LED Fresh twice every 5sec
Previous Track	Long Press Volume-	Long press Volume- to go to next song	Blue LED Fresh twice every 5sec
Answer call	Short press power button	Short press power button can answer a call while there is a call incoming; again a short press of power key can end a call	RED LED flash fast in an alternating pattern (200mS)
On call	N/A	N/A	Blue LED light will be always on
Reject call	Long press power button	Press and hold power button for approximately 2s can reject a call while there is a call	

	for 2s	incoming	
Siri	Short Press Volume+/-	Short Press both Volume+/- at the same time when the device is connected	/
End call	Short press power button	Short Press the power button can end a call while the call in progress	/
Redial last number	Double click power button	Double click power button can do redial last number	RED LED flash fast in an alternating pattern (200mS)
Clear pairing list	Long Press Volume+/- 5s	At the power on status, Long Press button Volume+/- for 5s, the headphone will clear up the pairing list and enter into pairing mode	RED and BLUE LED light on 2s
Hardware Restoration	Press button Volume+ & power button	Press both Volume+ & power button at the same time, the hardware will reset	
Mic Mute on call	Long press Volume-	Long press Volume-for 3s at call status, the headphone will go into/out mute	
Charging	When in charging, the red LED will be always on; once the energy is full,it will go off		
Line in	When the Audio cable is plug in, the headphone will play music in line-in mode(suggestion: pls disconnect bluetooth manually, or the music quality will be affected)		
low battery	When power is less than 10%, the battery voltage will lower 3.3V, then there will be a voice prompt “dududu”, while the RED LED flashes twice per second--this alarm occurs every 1minutes. when the voltage is lower 3.1V,the earphone will shut down automatically		

Pairing the headphones with a computer

- 1.Before pairing the headphone with your computer, please make sure your computer or laptop can support bluetooth function. If not,you must purchase a bluetooth adapter (preferably version 2.1 or above).
2. Insert the bluetooth adapter to the computer, and make sure the bluetooth function of the computer is already activated.
3. Press the power button about 5s when the headphone is at power off status. It will go into paring mode when the blue and red LED light flash alternately, while you can also hear a prompt
4. Open the bluetooth software and choose to search the bluetooth device, and after few seconds, the names of bluetooth device will list out.
6. Click the pairing name “B036”to pair, when there is a prompt “beep”, this means your headphone is paired successfully .

FCC Statement

This device complies with part 15 of the FCC rules. Operation is subject to the following two conditions: (1) this device may not cause harmful interference, and (2) this device must accept any interference received, including interference that may cause undesired operation.

Changes or modifications not expressly approved by the party responsible for compliance could void the user's authority to operate the equipment.

NOTE: This equipment has been tested and found to comply with the limits for a Class B digital device, pursuant to part 15 of the FCC Rules. These limits are designed to provide reasonable protection against harmful interference in a residential installation. This equipment generates uses and can radiate radio frequency energy and, if not installed and used in accordance with the instructions, may cause harmful interference to radio communications. However, there is no guarantee that interference will not occur in a particular installation. If this equipment does cause harmful interference to radio or television reception, which can be determined by turning the equipment off and on, the user is encouraged to try to correct the interference by one or more of the following measures:

- 1) Reorient or relocate the receiving antenna.
- 2) Increase the separation between the equipment and receiver.
- 3) Connect the equipment into an outlet on a circuit different from that to which the receiver is connected.
- 4) Consult the dealer or an experienced radio/TV technician for help.

The device has been evaluated to meet general RF exposure requirement. The device can be used in portable exposure condition without restriction.