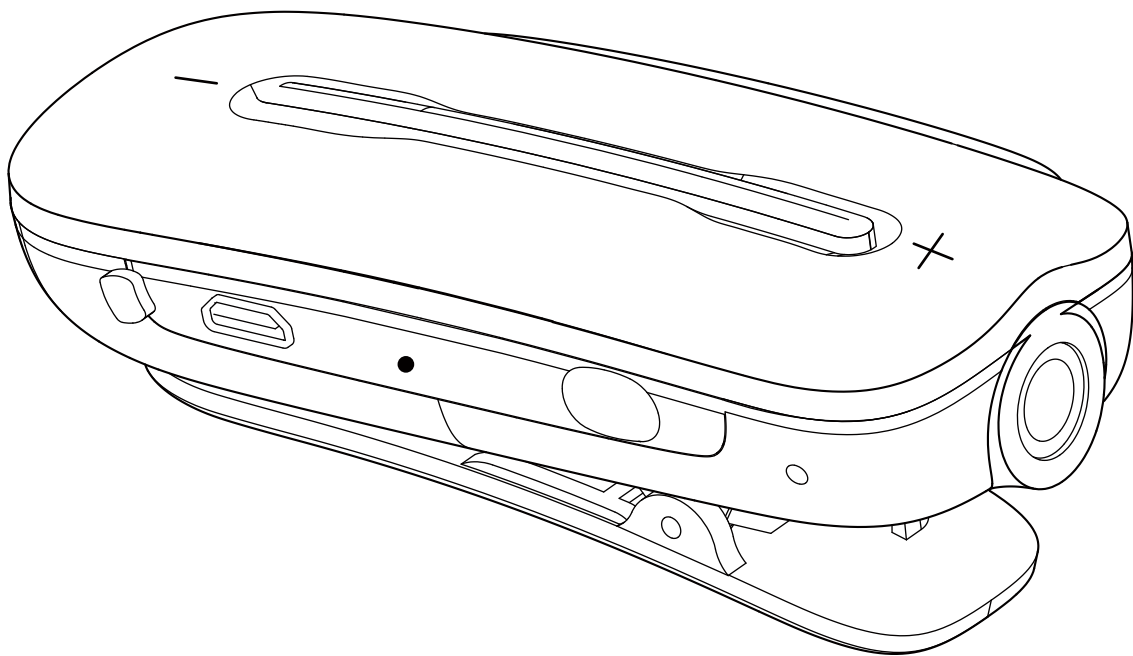


# User Manual

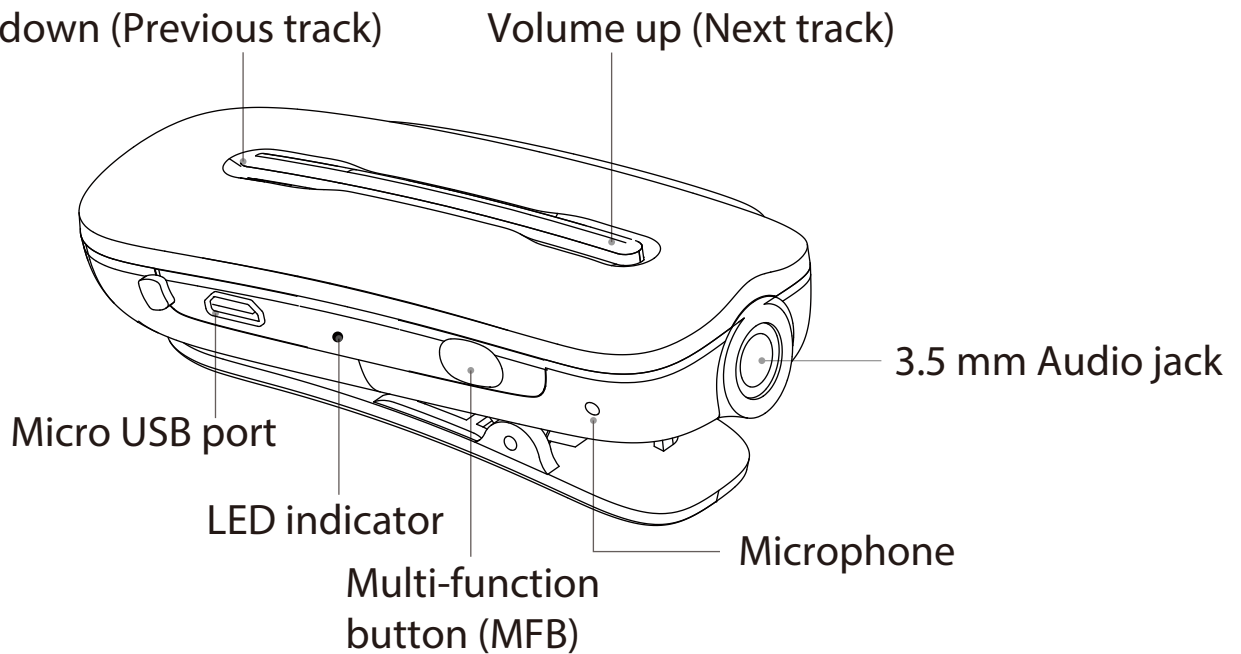
## Wireless Receiver for Headphones

BTHS-AS7L



Product overview & basic operation .....	1
Connecting to a mobile phone/tablet .....	2
Connecting to a Bluetooth transmitter .....	2
Connecting to two Bluetooth devices simultaneously.....	3
How to reset to factory default setting? .....	3
Charging.....	3
LED indications.....	4
Product Specifications .....	4

# Product overview & basic operation



MFB	Enter pairing mode	From off mode, press & hold for 7 seconds until LED you will hear " Welcome to Avantree" / " Goodbye"
	Answer/End a call	Press MFB once when a call is incoming or in progress
	Reject a call	Press & hold MFB for 2 seconds when a call is incoming
	Last number redial	Double click MFB
	Play/Pause	Press once MFB when streaming music
V+	Volume up	Press V+ once
	Next track	Press and hold
V-	Volume down	Press V- once
	Previous track	Press and hold
V+& V-	Voice Dial (Siri)	Press V+ and V- together once
	Restore to default settings	Press and hold V+ and V- together for 7 seconds, the LED flashes BLUE and RED together ( appears PINK)

**Note:** Some functions may not work when used with different mobile phones or other Bluetooth devices.

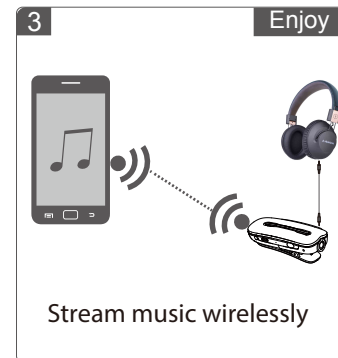
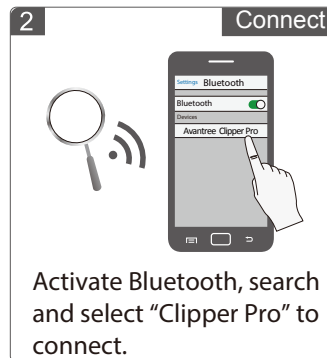
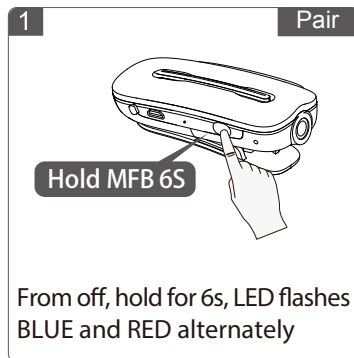
## Connecting to a mobile phone/tablet

---

**Step 1.** Ensure Clipper Pro is off.

**Step 2.** Set Clipper Pro to PAIRING MODE - Press and hold MFB for 7 seconds until the LED flashes BLUE and RED alternately and you hear "pairing".

**Step 3.** Activate Bluetooth on your phone/tablet and select "Avantree Clipper Pro", LED flash once per 5 seconds once connected, and you hear "connected".



### Reconnect:

Whenever you turn Clipper Pro on again, it will automatically reconnect to your phone.

## Connecting to a Bluetooth transmitter

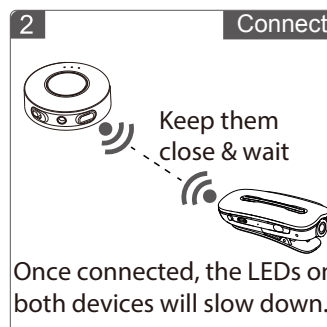
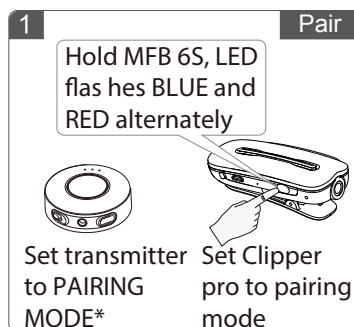
---

**Step 1.** Ensure Clipper Pro is off.

**Step 2.** Set Clipper Pro to PAIRING MODE - Press and hold MFB for 7 seconds until the LED flashes BLUE and RED alternately and you hear "pairing".

**Step 3.** Set your Bluetooth transmitter to PAIRING MODE.

**Step 4.** Keep both devices close and wait for 5-30 seconds. Once connected, LEDs on both devices will slow down and you hear "connected".



## Connecting to two Bluetooth devices simultaneously

---

**Step 1.** Connect the first Bluetooth device as above. Then turn off Clipper Pro.

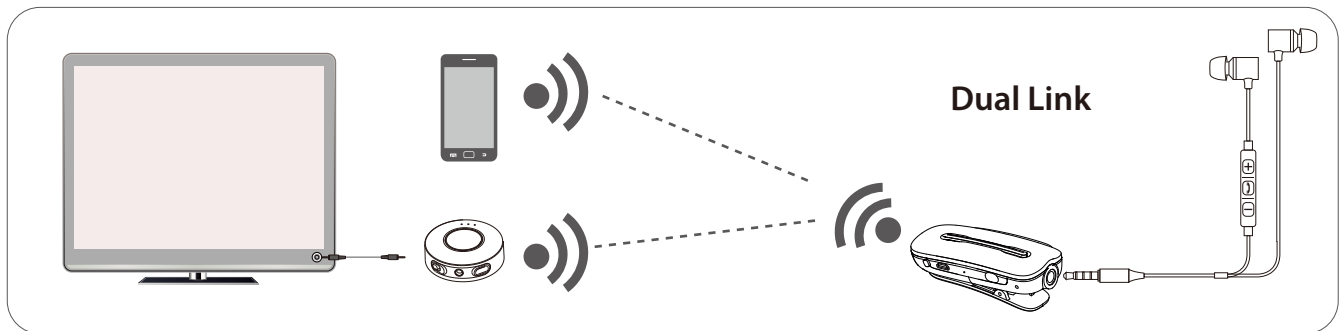
**Step 2.** Turn off the Bluetooth on the first paired device. (If it is a transmitter, turn it off)

**Step 3.** Set Clipper Pro to PAIRING MODE again – Press and hold MFB for 6 seconds until the LED flashes BLUE and RED alternately.

**Step 4.** Connect Clipper Pro to the second Bluetooth device as above.

**Step 5.** Once connected, restart Clipper Pro and the first paired device. It will then automatically reconnect to the two devices simultaneously.

**Note:** Once disconnected over 10 minutes, Clipper Pro will automatically power itself off.



## How to reset to factory default setting?

---

**Step 1.** Turn on the Clipper Pro

**Step 2.** Press and hold the V+ and V- button for 7 seconds

**Step 3.** The Blue and Red LED will flash twice then power off at the same time

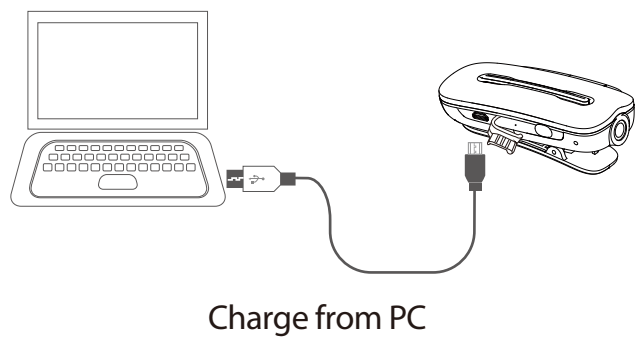
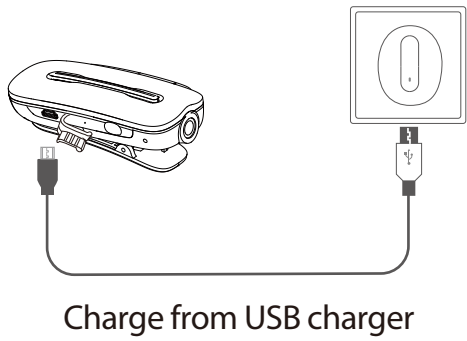
## Charging

---

When the LED flashes RED, you should recharge the device. Please remove the micro-USB protector and charge it. It normally takes around 2 hours to fully charge the battery. The LED will stay RED when charging and will turn off when charging is complete.

### Charging Requirement

You can connect Clipper Pro via the supplied micro USB cable to your own USB chargers (wall charger/travel charger/car charger, etc.) with 5V/500mA-1A or PC USB port. It's ok to use most mobile phone chargers on the market.



## LED indications

Status	LED indicator
Power on	LED flashes BLUE for 2 seconds
Power off	LED flashes RED for 2 seconds
Pairing mode	LED flashes BLUE and RED alternately
Connected	LED flashes BLUE once every 10 seconds
Disconnected	LED flashes BLUE twice every 10 seconds
Restore to default setting	LED flashes BLUE and RED together twice (appears PINK)
Low battery	LED flashes RED once every 30 seconds
Charging	LED stays RED
Fully charged	Red LED turns off
Low battery	When connected, RED LED flash once per 5s.
	When disconnected, RED LED flash once per 2s.

## Product Specifications

- BT version: 4.2
- BT profile: A2DP, AVRCP, HFP, HSP
- Audio codec: aptX Low Latency, aptX, SBC
- Operational range: Class II, up to 10 meters
- Working time: Up to 6 hours
- Standby time: 100 hours
- Charging time: 2 hours
- Product weight: approx. 15g
- Product size: 50.5\*26\*18mm

**Note:** The talk and standby times may vary when used with different mobile phones or other devices and also dependent upon different usage styles, settings and operating environment.