

FINAL April 8th-2005

Part No. 318527-A Rev 01  
March 2005

# Installing the Nortel Wireless Access Point 7220

**NORTEL**

## Copyright © 2005 Nortel Networks

All rights reserved. March 2005

The information in this document is subject to change without notice. The statements, configurations, technical data, and recommendations in this document are believed to be accurate and reliable, but are presented without express or implied warranty. Users must take full responsibility for their applications of any products specified in this document. The information in this document is proprietary to Nortel Networks Inc.

The software described in this document is furnished under a license agreement and may be used only in accordance with the terms of that license. The software license agreement is included in this document.

## Trademarks

Nortel Networks, the Nortel Networks logo, the Globemark, Unified Networks, and [other Nortel trademarked product names] are trademarks of Nortel Networks.

Microsoft, Windows, and Windows NT are trademarks of Microsoft Corporation.

Adobe and Acrobat Reader are trademarks of Adobe Systems Incorporated.

Huber+Suhner is a trademark of Huber+Suhner Incorporated.

Andrew Corporation is a trademark of Andrew Corporation, Inc.

Dow Corning is a trademark of Dow Corning Incorporated.

Ethernet is a trademark of Xerox Corporation.

The asterisk after a name denotes a trademarked item.

## Statement of conditions

In the interest of improving internal design, operational function, and/or reliability, Nortel Networks Inc. reserves the right to make changes to the products described in this document without notice.

Nortel Networks Inc. does not assume any liability that may occur due to the use or application of the product(s) or circuit layout(s) described herein.

Portions of the code in this software product may be Copyright © 1988, Regents of the University of California. All rights reserved. Redistribution and use in source and binary forms of such portions are permitted, provided that the above copyright notice and this paragraph are duplicated in all such forms and that any documentation, advertising materials, and other materials related to such distribution and use acknowledge that such portions of the software were developed by the University of California, Berkeley. The name of the University may not be used to endorse or promote products derived from such portions of the software without specific prior written permission.

**SUCH PORTIONS OF THE SOFTWARE ARE PROVIDED "AS IS" AND WITHOUT ANY EXPRESS OR IMPLIED WARRANTIES, INCLUDING, WITHOUT LIMITATION, THE IMPLIED WARRANTIES OF MERCHANTABILITY AND FITNESS FOR A PARTICULAR PURPOSE.**

In addition, the program and information contained herein are licensed only pursuant to a license agreement that contains restrictions on use and disclosure (that may incorporate by reference certain limitations and notices imposed by third parties).

---

## Regulatory Statements

This device is designed for installation and use in the USA, Canada, China and Taiwan regulatory rules. For operation in other countries, please consult Nortel Networks.

This device contains one radio operating in the 2.4 GHz band and one radio operating in the 5 GHz bands in point-to-point fashion.

### Regulatory statements pursuant to CFR 47 Part 15 for the United States

This device complies with Part 15 of the FCC Rules. Operation is subject to the following two conditions: (1) this device may not cause harmful interference, and (2) this device must accept any interference received, including interference that may cause undesired operation.

#### Federal Communications Commission (FCC) Compliance Notice: Radio Frequency Notice

**Note:** This equipment has been tested and found to comply with the limits for a Class B digital device, pursuant to Part 15 of the FCC Rules. These limits are designed to provide reasonable protection against harmful interference in a residential installation. This equipment generates, uses and can radiate radio frequency energy and, if not installed and used in accordance with the instructions, may cause harmful interference to radio communications. However, there is no guarantee that interference will not occur in a particular installation.

If this equipment does cause harmful interference to radio or television reception, which can be determined by turning the equipment off and on, the user is encouraged to try to correct the interference by one or more of the following measures:

- Re-orient or relocate the receiving antenna.
- Increase the separation between the equipment and receiver.
- Connect the equipment into an outlet on a circuit different from that to which the receiver is connected.
- Consult the dealer or an experienced radio/TV technician for help.

The installation and operation of this device shall be in strict compliance with the manufacturer's instructions for its installation and use. Any changes in the installation, or modification of the device or of its optional accessories that are not expressly approved by the manufacturer and the party responsible for compliance could void the user's authority to operate the device.

Only those optional accessories listed in the operating manual shall be used with this device. The use of any other accessories (including antennas) will void the warranty and the user's authority to operate the device.

The manufacturer is not responsible for interference to other radio systems caused by the use of this device or by any unauthorized modification to the device or its associated antennas. The manufacturer assumes no liability for any damage or violation of regulations arising from the use of the device.

This device is designed to be installed by professionals trained in its installation and who are responsible for compliance with the relevant regulations.

This device is designed for installation in fixed locations only.

This device is not designed for direct connection to the public switched telephone network.

**Note:** The use of external RF amplifiers with this device is not permitted by the regulations of the FCC.

This unit is not a consumer product and requires professional network planning and installation. As such, this device is limited for use with approved antennas only.

**Note:** The use of non-approved antennas, tampering with, or deviating from the approved deployment configurations is strictly prohibited and could result in FCC/IC (Industry Canada) regulatory violations.

---

## Regulatory statements pursuant to RSS-210/CNR-210 for Canada

**AVIS:** Le texte en français suit ci-dessous.

Operation (of this device) is subject to the following two conditions: (1) this device may not cause interference and (2) this device must accept any interference, including interference that may cause undesired operation of the device. To reduce the potential of radio interference to other users, the antenna type and its gain should be chosen so that the equivalent isotropically radiated power (EIRP) is not more than that required for successful communication.

This Class B digital apparatus meets all the requirements of the Canadian Interference Causing Equipment Standard 003 (ICES-003).

**Note:** The use of external RF amplifiers with this device is strictly forbidden by the regulations of Industry Canada.

This device has been designed to operate with a optional external 5GHz antenna having a maximum gain of 23.0 dBi. Operation with antennas having a higher gain is strictly prohibited by the regulations of Industry Canada. The required antenna impedance is 50 ohms.

This device has been designed to operate with a 2.4GHz antenna having a maximum gain of 4.0 dBi. Operation with antennas having a higher gain is strictly prohibited by the regulations of Industry Canada. The required antenna impedance is 50 ohms.

The installer of this radio equipment must ensure that the antenna is located or pointed such that it does not create an RF field in excess of Health Canada limits for the general population; consult Safety Code 6, obtainable from Health Canada's website [www.hcsc.gc.ca/rpb](http://www.hcsc.gc.ca/rpb).

This unit is not a consumer product and requires professional network planning and installation. As such, this device is limited for use with approved antennas only.

**Note:** the use of non-approved antennas, tampering with, or deviating from the approved deployment configurations is strictly prohibited and could result in FCC/IC regulatory violations.

L'utilisation de ce dispositif est autorisée seulement aux conditions suivantes : (1) il ne doit pas produire de brouillage et (2) l'utilisateur du dispositif doit être prêt à accepter tout brouillage radioélectrique reçu, même si ce brouillage est susceptible de compromettre le fonctionnement du dispositif.

Afin de réduire le risque d'interférence aux autres utilisateurs, le type d'antenne et son gain doivent être choisis de façon à ce que la puissance isotrope rayonnée équivalente (p.i.r.e.) ne soit pas supérieure au niveau requis pour obtenir une communication satisfaisante.

Cet appareil numérique respecte les limites de bruits radioélectriques applicables aux appareils numériques de la class B prescrites dans la norme sur le matériel brouilleur "Appareils Numeriques" (NMB-003) édictée par le ministère des Communications du Canada

**ATTENTION:** L'utilisation d'amplificateurs RF externes avec les dispositifs de faible puissance est strictement interdit.

Ce dispositif a été conçu pour fonctionner avec une antenne optionnelle de 5GHz ayant un gain maximal de 23.0 dBi. Une antenne ayant un gain plus élevé est strictement interdit par les règlements d'Industrie Canada. L'impédance d'antenne requise est 50 ohms.

Ce dispositif a été conçu pour fonctionner avec une antenne de 2.4GHz ayant un gain maximal de 4.0 dBi. Une antenne ayant un gain plus élevé est strictement interdit par les règlements d'Industrie Canada. L'impédance d'antenne requise est 50 ohms.

L'installateur du présent matériel radio doit s'assurer que l'antenne est située ou pointée de manière à ce que cette dernière n'émette pas de champs radioélectriques supérieurs aux limites spécifiées par Santé Canada pour le grand public; consulter le Code de sécurité 6, disponible sur le site Web de Santé Canada, à l'adresse suivante: [www.hcsc.gc.ca/rpb](http://www.hcsc.gc.ca/rpb).

Cet appareil est seulement pour usage commercial et requiert une installation professionnelle certifiée. L'usage de cet appareil est limité aux antennes certifiées stipulées par le fabricant.

**ATTENTION:** L'usage d'antennes autres que stipulées par le fabricant est prohibé et peut résulter en une violation des critères d'approbation FCC et Industrie Canada pour lequel cet appareil est homologué.

## General Installation Considerations

This device has been evaluated and found to be compliant to the requirements addressing RF exposure from radio frequency devices for an uncontrolled environment. The RF emissions of this device are below the FCC limits. However, it is nevertheless generally advisable that radio transmitting equipment should always be installed and used in a manner so as to minimise exposure during normal operation.

When the unit is installed using integral 5GHz antennas with integral or external 2.4GHz antennas, the product shall be installed in a fixed location with a minimum separation of 0.5 metre from all persons during normal use and shall be used only with approved accessories listed in this manual.

When the unit is installed using optional external 5GHz antennas (13 dBi and 18dBi), the product shall be installed in a fixed location with a minimum separation of 50 cm from all persons during normal use and shall be used with approved accessories listed in this manual.

When the unit is installed using optional external 5GHz antennas (23 dBi), the product shall be installed in a fixed location with a minimum separation of 100 cm from all persons during normal use and shall be used with approved accessories listed in this manual.

Installation with external 5GHz antennas (13 dBi and 18 dBi) are qualified for indoor and outdoor use. The 23 dBi antenna is qualified for outdoor use only. This unit operates in point-to-point fashion only in 5GHz band.

## Nortel Networks Inc. software license agreement

This Software License Agreement (“License Agreement”) is between you, the end-user (“Customer”) and Nortel Networks Corporation and its subsidiaries and affiliates (“Nortel Networks”). PLEASE READ THE FOLLOWING CAREFULLY. YOU MUST ACCEPT THESE LICENSE TERMS IN ORDER TO DOWNLOAD AND/OR USE THE SOFTWARE. USE OF THE SOFTWARE CONSTITUTES YOUR ACCEPTANCE OF THIS LICENSE AGREEMENT. If you do not accept these terms and conditions, return the Software, unused and in the original shipping container, within 30 days of purchase to obtain a credit for the full purchase price.

“Software” is owned or licensed by Nortel Networks, its parent or one of its subsidiaries or affiliates, and is copyrighted and licensed, not sold. Software consists of machine-readable instructions, its components, data, audio-visual content (such as images, text, recordings or pictures) and related licensed materials including all whole or partial copies. Nortel Networks grants you a license to use the Software only in the country where you acquired the Software. You obtain no rights other than those granted to you under this License Agreement. You are responsible for the selection of the Software and for the installation of, use of, and results obtained from the Software.

**1. Licensed Use of Software.** Nortel Networks grants Customer a nonexclusive license to use a copy of the Software on only one machine at any one time or to the extent of the activation or authorized usage level, whichever is applicable. Software is not transferable, or applicable, or entitled to third parties on subsequent resale of the equipment. To the extent Software is furnished for use with designated hardware or Customer furnished equipment (“CFE”), Customer is granted a nonexclusive license to use Software only on such hardware or CFE, as applicable. Software contains trade secrets and Customer agrees to treat Software as confidential information using the same care and discretion Customer uses with its own similar information that it does not wish to disclose, publish or disseminate. Customer will ensure that anyone who uses the Software does so only in compliance with the terms of this Agreement. Customer shall not a) use, copy, modify, transfer or distribute the Software except as expressly authorized; b) reverse assemble, reverse compile, reverse engineer or otherwise translate the Software; c) create derivative works or modifications unless expressly authorized; or d) sublicense, rent or lease the Software. Licensors of intellectual property to Nortel Networks are beneficiaries of this provision. Upon termination or breach of the license by Customer or in the event designated hardware or CFE is no longer in use, Customer will promptly return the Software to Nortel Networks or certify its

destruction. Nortel Networks may audit by remote polling or other reasonable means to determine Customer's Software activation or usage levels. If suppliers of third party software included in Software require Nortel Networks to include additional or different terms, Customer agrees to abide by such terms provided by Nortel Networks with respect to such third party software.

**2. Warranty.** Except as may be otherwise expressly agreed to in writing between Nortel Networks and Customer, Software is provided "AS IS" without any warranties (conditions) of any kind. NORTEL NETWORKS DISCLAIMS ALL WARRANTIES (CONDITIONS) FOR THE SOFTWARE, EITHER EXPRESS OR IMPLIED, INCLUDING, BUT NOT LIMITED TO THE IMPLIED WARRANTIES OF MERCHANTABILITY AND FITNESS FOR A PARTICULAR PURPOSE AND ANY WARRANTY OF NON-INFRINGEMENT. Nortel Networks is not obligated to provide support of any kind for the Software. Some jurisdictions do not allow exclusion of implied warranties, and, in such event, the above exclusions may not apply.

**3. Limitation of Remedies.** IN NO EVENT SHALL NORTEL NETWORKS OR ITS AGENTS OR SUPPLIERS BE LIABLE FOR ANY OF THE FOLLOWING: a) DAMAGES BASED ON ANY THIRD PARTY CLAIM; b) LOSS OF, OR DAMAGE TO, CUSTOMER'S RECORDS, FILES OR DATA; OR c) DIRECT, INDIRECT, SPECIAL, INCIDENTAL, PUNITIVE, OR CONSEQUENTIAL DAMAGES (INCLUDING LOST PROFITS OR SAVINGS), WHETHER IN CONTRACT, TORT OR OTHERWISE (INCLUDING NEGLIGENCE) ARISING OUT OF YOUR USE OF THE SOFTWARE, EVEN IF NORTEL NETWORKS, ITS AGENTS OR SUPPLIERS HAVE BEEN ADVISED OF THEIR POSSIBILITY. The forgoing limitations of remedies also apply to any developer and/or supplier of the Software. Such developer and/or supplier is an intended beneficiary of this Section. Some jurisdictions do not allow these limitations or exclusions and, in such event, they may not apply.

#### **4. General**

- a. If Customer is the United States Government, the following paragraph shall apply: All Nortel Networks Software available under this License Agreement is commercial computer software and commercial computer software documentation and, in the event Software is licensed for or on behalf of the United States Government, the respective rights to the software and software documentation are governed by Nortel Networks standard commercial license in accordance with U.S. Federal Regulations at 48 C.F.R. Sections 12.212 (for non-DoD entities) and 48 C.F.R. 227.7202 (for DoD entities).
- b. Customer may terminate the license at any time. Nortel Networks may terminate the license if Customer fails to comply with the terms and conditions of this license. In either event, upon termination, Customer must either return the Software to Nortel Networks or certify its destruction.
- c. Customer is responsible for payment of any taxes, including personal property taxes, resulting from Customer's use of the Software. Customer agrees to comply with all applicable laws including all applicable export and import laws and regulations.
- d. Neither party may bring an action, regardless of form, more than two years after the cause of the action arose.
- e. The terms and conditions of this License Agreement form the complete and exclusive agreement between Customer and Nortel Networks.
- f. This License Agreement is governed by the laws of the country in which Customer acquires the Software. If the Software is acquired in the United States, then this License Agreement is governed by the laws of the state of New York.

---

# Contents

---

<b>Chapter 1</b>	
<b>Installing the Wireless AP 7220</b>	<b>9</b>
Limitations and restrictions	9
Safety guidelines	9
Installation flowchart	10
Installing the Wireless AP 7220	11
Verifying the package contents	12
Recording the serial number	12
Installing the mechanical support	12
Installing the mechanical support on a pole	12
Installing the mechanical support on a wall or ceiling	13
Preparing the Wireless AP 7220	13
Connecting an Ethernet cable to a Wireless AP 7220 @ NAP	13
Completing the Wireless AP 7220 preparation	15
Connecting the power cable	16
Attaching the Wireless AP 7220 to the base plate adaptor	17
Installing an external co-linear antenna	18
Verifying correct operation through the LED indicators	19
<b>Appendix A</b>	
<b>Wireless AP 7220 materials checklist</b>	<b>21</b>
Wireless AP 7220 materials checklist	21
<b>Appendix B</b>	
<b>Physical installation requirements</b>	<b>23</b>
Physical installation requirements	23
Location	23
Supplying AC power	23
Installation scenarios	24

**Appendix C**  
**Getting technical manuals and support ..... 25**

How to get technical manuals ..... 25

How to get support ..... 25



---

# Installing the Wireless AP 7220

---

## Limitations and restrictions



---

**Warning:** THE WIRELESS AP 7220 IS A SEALED DEVICE INTENDED FOR PROFESSIONAL INSTALLATION BY A QUALIFIED INSTALLER FOR INDUSTRIAL/COMMERCIAL USE. THERE ARE NO USER-SERVICEABLE COMPONENTS INSIDE.

TO AVOID ELECTRICAL SHOCK OR BODILY INJURY DO NOT TAMPER WITH OR ATTEMPT TO OPEN THIS DEVICE.

---

## Safety guidelines

Use the following safety guidelines to ensure your own personal safety and to help protect your Wireless AP 7220 unit from potential damage.

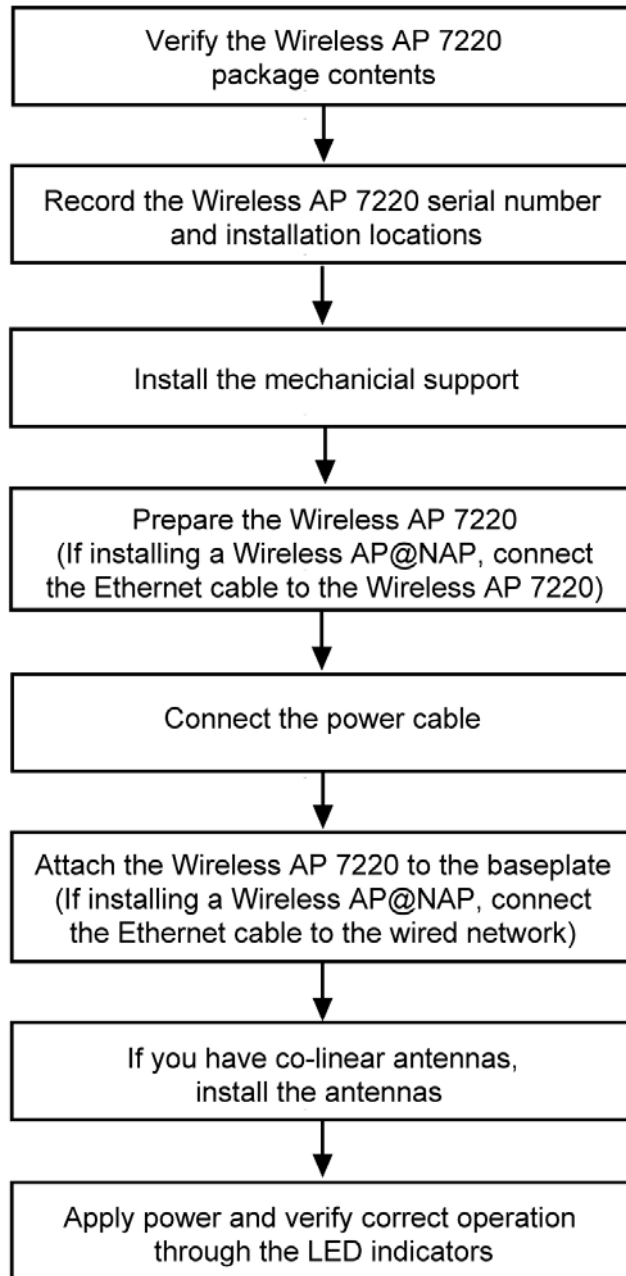
The Wireless AP 7220 is safety-certified as a free-standing unit and as a component for use indoors or outdoors when installed using certified components and accessories according to the instructions and observing the limitations detailed in this manual.

The product must be installed in compliance with all local safety and electrical codes. The manufacturer disclaims all warranties and liability in connection with installation methods not described in this manual and/or installations that do not comply with local safety codes and regulations. This device is designed to be installed by professionals trained in its installation and who are responsible for compliance with the relevant regulations.

---

## Installation flowchart

**Figure 1** Installing the Wireless AP 7220 flowchart



---

## Installing the Wireless AP 7220

Use the Wireless AP 7220 mechanical support to mount the Wireless AP 7220 vertically or horizontally on a:

- horizontal pole
- vertical pole
- wall (side of a building)
- ceiling



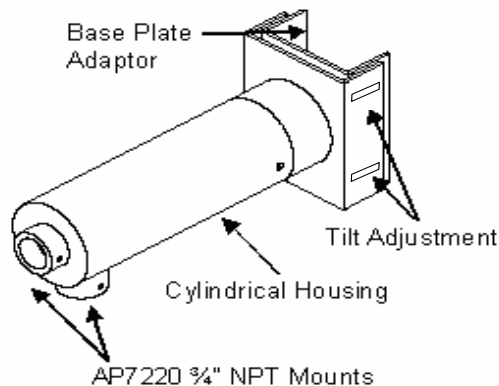
**Note:** Please read all instructions prior to installation.

---

The mechanical support consists of three major components (see Figure 2):

- base plate adaptor (shown) and pole band clamps (not shown)
- cylindrical housing
- inner wiring / divider arm inside the cylindrical housing

**Figure 2** Wireless AP 7220 mechanical support



Use the band clamps to fix the mechanical support to the horizontal or vertical pole. The mechanical support allows adjustment of  $\pm 20$  degrees to accommodate a pole that is tapered or offset from the vertical or horizontal mounting plane.

## Verifying the package contents

- 1 Verify the contents of the Wireless AP 7220 and mechanical support packages. For a detailed list of standard package contents and available accessories see Appendix A, “Wireless AP 7220 materials checklist”.

## Recording the serial number

- 2 Record the serial number and the installation location of the Wireless AP 7220. These records are required for subsequent network management and maintenance.

## Installing the mechanical support

- 3 Select the location for the Wireless AP 7220 and unpack the mounting hardware kit.
- 4 Remove the cylindrical housing of the mechanical support by loosening the two set screws and sliding the cylindrical housing away from the base plate adaptor.

You can install the mechanical support on:

- a pole (horizontal or vertical). To install the mechanical support on a pole, go to the section “Installing the mechanical support on a pole
- a wall or ceiling. To install the mechanical support on a wall or ceiling, go to the section “Installing the mechanical support on a wall or ceiling.

### Installing the mechanical support on a pole

- 5 Fasten the base plate adaptor to the pole by inserting the three band clamps through the slotted openings and around the pole. Mount the base plate adaptor to the pole with the U-bracket opening towards the pole.



**Note:** To facilitate installation, installers may remove the base plate adaptor from the mount by removing the four adjustment screws located on the base plate U-bracket.

---

- 6 Adjust and tighten the base plate adaptor securely to the pole by tightening the band clamps such that no movement is possible.

---

The mount is now securely fastened to the pole. To continue the installation, go to the section “Preparing the Wireless AP 7220

### **Installing the mechanical support on a wall or ceiling**

The base plate adaptor is reversible for wall and ceiling installations.

- 7** Remove the four adjustment screws on the base plate adaptor and secure the flat side of the adaptor on the mounting surface (wall or ceiling) using appropriate anchors to support the weight and wind loads.
- 8** Re-attach the inner arm on the installed base plate adaptor using the four adjustment screws removed previously.

The mount is now securely fastened to the wall/ceiling. To continue the installation, go to the section “Preparing the Wireless AP 7220

### **Preparing the Wireless AP 7220**

On the ground, install the Wireless AP 7220 on the cylindrical mount (vertical or horizontal) via the  $\frac{3}{4}$  NPT opening.

- 9** Loosen (back off) the NPT anti-rotation set screw.
- 10** Remove the appropriate  $\frac{3}{4}$  NPT plastic plugs from the mount.

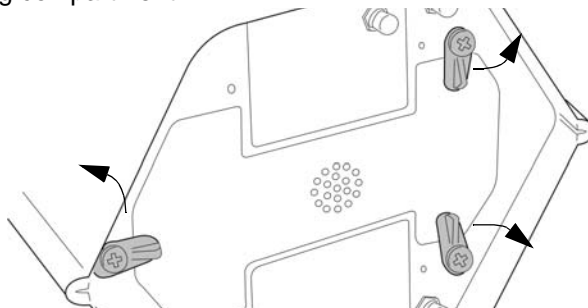
If you are installing a Wireless AP 7220@NAP, proceed to the section “Connecting an Ethernet cable to a Wireless AP 7220 @ NAP.

If you are installing a standalone Wireless AP 7220, skip to the section “Completing the Wireless AP 7220 preparation

### **Connecting an Ethernet cable to a Wireless AP 7220 @ NAP**

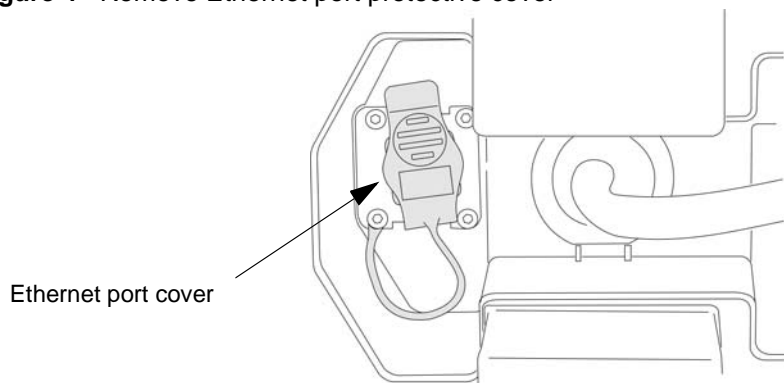
- 11** Remove the baseplate cover of the Wireless AP 7220 @ NAP cabling compartment by pivoting open the three tabs holding the cover in place.

**Figure 3** Open cabling compartment



**12** Remove the Ethernet port protective cover from the cabling compartment.

**Figure 4** Remove Ethernet port protective cover



**13** Pull back the unattached end of the AC power cable from the central support pipe until it is free of the shaft. This will make it easier to feed the Ethernet cable up through the support pipe.



**Note:** Do not disconnect the AC power connector from the Wireless AP 7220 @ NAP.

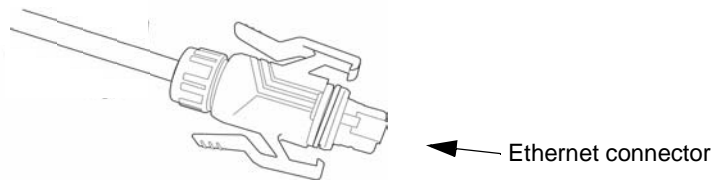


**Note:** The CAT5 cable has a connector at one end. This connector attaches to the Ethernet jack at the base of the Wireless AP 7220 @ NAP unit.

**14** Slide the non-connectorized end of the CAT 5 Ethernet cable up through the main support pipe of the Wireless AP 7220 @ NAP and out of the side hole of the cylindrical arm. This cable will be used to provide a wired connection to the NAP.

- 15 Attach the connector to the Ethernet jack at the base of the Wireless AP 7220 @ NAP unit.

**Figure 5** CAT5 connectorized cable end



- 16 Feed the power cable back up through the main support pipe until it emerges from the cylindrical housing.
- 17 Replace the metal baseplate cover of the Wireless AP 7220 @ NAP by pivoting shut the three tabs used to hold the cover in place.

### **Completing the Wireless AP 7220 preparation**

- 18 Feed the Wireless AP 7220 AC wire (and, in the case of a Wireless AP 7220@NAP, the Ethernet cable) into the  $\frac{3}{4}$  NPT port and up through the cylindrical arm.
- 19 Screw the Wireless AP 7220 to the cylindrical arm until secure (do not over tighten).

The wiring should extend beyond the cylinder mount to facilitate wiring to the terminal strip located on the inner arm.

The Wireless AP 7220 and cylindrical arm are now ready to attach and wire to the base plate adaptor on the pole.

---

## Connecting the power cable

To facilitate the next steps, hang the Wireless AP 7220 and attached cylindrical arm from the base plate adaptor. Small holes are provided on the inner arm and arm housing for an "S" hook to support the Wireless AP 7220 assembly.



**Danger:** The external power cable connects to the source which will power the Wireless AP 7220.

Ensure that no power is coming through this cable when performing the procedure.

---

- 20** Install an electrical switch, fuse, or circuit breaker at an accessible point between the power mains and the Wireless AP 7220 to facilitate power cut-off to the Wireless AP 7220 for maintenance purposes.
- 21** Access the base plate adaptor on the pole. With electrical power removed, pre-wire the inner arm AC power using an approved water tight feed through on the base of the mount and connect the individual line and neutral conductors to the terminal strip provided on the inner wiring arm.



**Note:** For Wireless AP 7220@ NAP installations, pass the Ethernet feed from the Wireless AP 7220 along the side of the inner arm opposite the wiring connections, and exit at the base of the support through an approved water tight feed through

The purpose of the inner arm / divider is to separate the AC wiring from the Ethernet communication feed

---

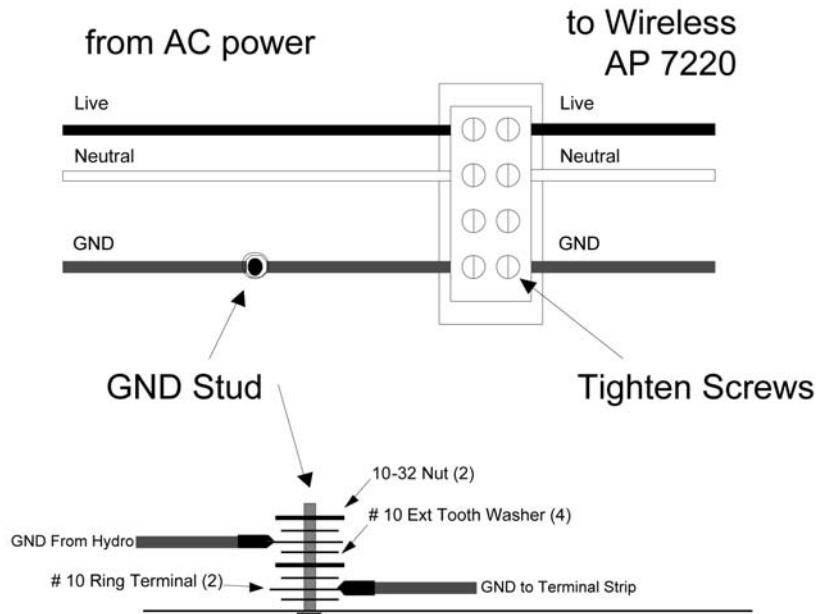
- 22** Connect the GND wire from the AC power feed to a #10 ring terminal (see Figure 6). Attach the ring terminal to the GND stud on the inner wiring arm and secure with the external tooth lock washers and 10-32 nut provided. (the lock washers are installed each side of the ring terminal).



**Note:** The GND stud is pre-wired to the GND on the terminal strip via a short lead.

---



**Figure 6** Wiring the Wireless AP 7220 to the mechanical support inner arm

- 23** Attach the Wireless AP 7220 black wire to the correct position on the terminal strip. Connect the neutral wire to the neutral position on the terminal strip and the GND (green wire) to the GND position on the terminal strip.

## Attaching the Wireless AP 7220 to the base plate adaptor

- 24** With wiring complete, slide the cylindrical housing (with Wireless AP 7220 attached) over the inner arm.
- 25** Align and secure the cylindrical housing with the two set screws located at the base.
- 26** Verify the alignment of the vertical and horizontal and adjust if required.

To adjust the alignment, loosen the four adjustment screws on the base plate adaptor and align the unit in the vertical or horizontal as required.

Tighten the four adjustment screws to secure the alignment.

- 27** To complete the installation, securely tighten all anti-rotation screws and adjustment screws. Ensure the unused  $\frac{3}{4}$  NPT port is capped securely with the plug provided.

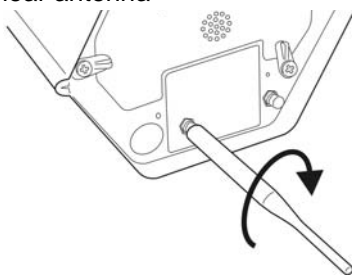
If you are installing external co-linear antennas, proceed to the section “Installing an external co-linear antenna.”

If you are not installing external co-linear antennas, skip to the section “Verifying correct operation through the LED indicators”

## Installing an external co-linear antenna

- 28** If you have a Wireless AP 7220 with integrated 2.4 GHz antennas instead of co-linear antennas, skip to step 36.
- 29** Screw the co-linear antenna firmly onto the Wireless AP 7220 base antenna connector.

**Figure 7** Attaching the co-linear antenna



- 30** Slip the protective rubber boot over the antenna and  $\frac{3}{4}$  of the way to its base.
- 31** Apply protective grease around the underside of the boot to ensure a good seal.

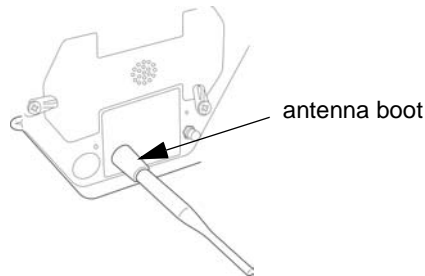


**Note:** Nortel Networks recommends Dow Corning\* 111 silicon for use as a protective grease.

---

- 32** Slip the protective rubber boot the remainder of the way to the base of the antenna.

**Figure 8** Install the protective boots



- 33** Ensure that the protective boot is firmly in place.
- 34** Repeat steps 29 to 33 with the second antenna.

## Verifying correct operation through the LED indicators

- 35** If installing a Wireless AP 7220@NAP, run the Ethernet cable to the desired Ethernet feeder and splice using standard connectors.
- 36** Apply power to the Wireless AP 7220 unit.

The LED at the bottom of the unit turns red indicating the unit is powering up.

Consult Table 1 to interpret the different LED states for a standalone Wireless AP 7220 or Table 2 to interpret the different LED states for a Wireless AP 7220 @ NAP.

**Table 1** Standalone Wireless AP 7220 LED Indicators

LED Pattern	Status	Description
Solid Red	Power-up/Initializing	Basic Services not yet initialized
Alternating Red/Amber	Initialized + No Transit Link	Initialized but no Transit Link Neighbors Detected
Alternating Red/Green	Initialized + Transit Link Detected	1 or more neighbors detected

**Table 1** Standalone Wireless AP 7220 LED Indicators

<b>LED Pattern</b>	<b>Status</b>	<b>Description</b>
Solid Amber	Initialized + Transit Link up +No service	1 or more Transit Links established but no Wireless Gateway 7250 connection
Solid Green	Initialized + Transit Link up + Fully Operational	1 or more Transit Links established and Wireless Gateway connection successfully established

**Table 2** Wireless AP 7220 @ NAP LED Indicators

<b>LED Pattern</b>	<b>Status</b>	<b>Description</b>
Solid Red	Power-up/Initializing	Basic Services not yet initialized
Solid Amber	Initialized + No service	Initialized but no Wireless Gateway 7250 connection
Solid Green	Initialized + Fully Operational	Initialized and Wireless Gateway 7250 connection successfully established

# Appendix A

---

## Wireless AP 7220 materials checklist

---

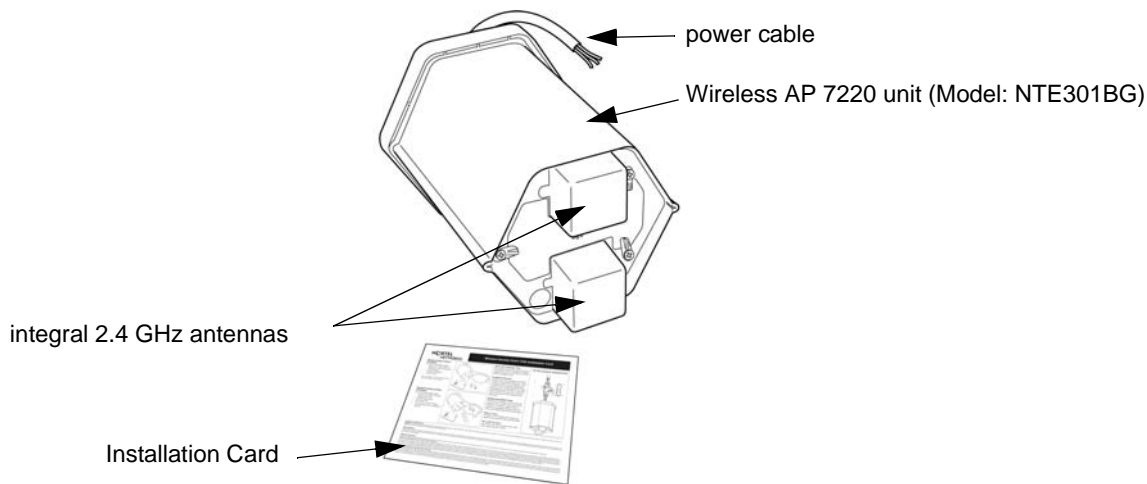
### Wireless AP 7220 materials checklist

Table 3 lists the contents of the Wireless AP 7220 standard packages. Figure 9 and Figure 10 show the standard package contents. The standard package includes parts suitable for the majority of installations. Additional site-specific accessories may be required prior to installation. Should any additional accessories or custom configurations be required, please contact 1-800-4NORTEL.

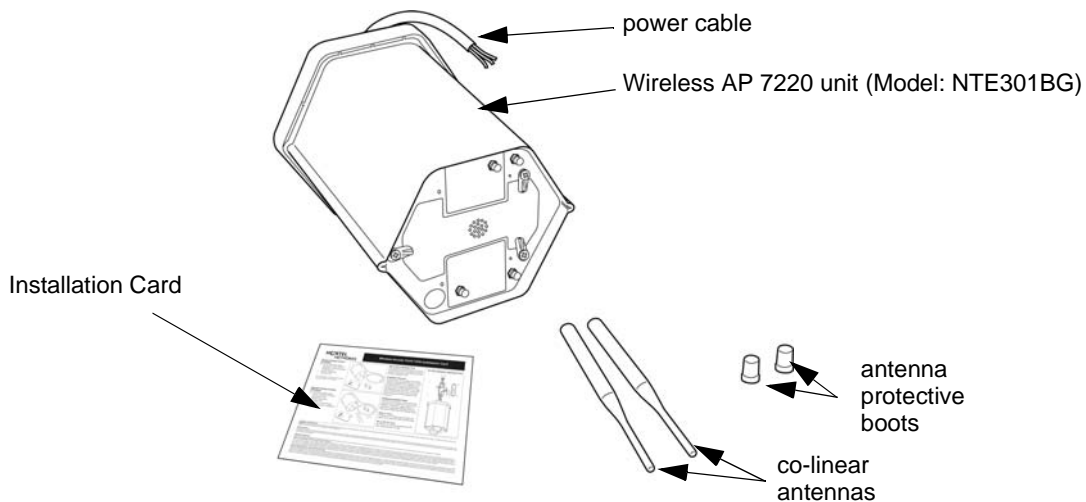
**Table 3** Wireless AP 7220 materials checklist (standard package contents)

Wireless AP 7220 standard package contents	
PEC: NTE300BG	PEC: NTE350BG
Wireless Access Point 7220 with attached power cable and integrated 2.4 GHz antennas	Wireless Access Point 7220 with attached power cable
Installation card	Installation card
-	two co-linear 2.4 GHz antennas
-	two antenna protective weatherproofing boots

**Figure 9** Standard package contents (integrated 2.4 GHz antenna) - PEC: NTE300BG



**Figure 10** Standard package contents (co-linear antennas) - PEC: NTE350BG







# Appendix B

# Physical installation requirements

---

## Physical installation requirements

The Wireless AP 7220 unit is designed to be installed vertically with the baseplate facing down (in indoor or outdoor locations). The unit must be installed in accordance with pre-installation activities, site survey, local electrical codes and regulatory requirements. Record the serial number and the location of each unit. These records are required for subsequent network management and maintenance.

### Location

When installing the Wireless AP 7220 unit choose a location that:

- provides a minimum separation of 0.5 metre from all persons during normal operation for units installed using integral 5GHz (13 and 18 dBi) antennas with integral or external 2.4GHz antennas for regulatory compliance.
- provides a minimum separation of 1 metre from all persons during normal operation for units installed using optional approved external 5GHz (23 dBi) antennas for regulatory compliance.
- approved external 5GHz antennas (13 dBi and 18 dBi) are qualified for indoor and outdoor use except for the 23 dBi which is qualified for outdoor installation only.
- minimizes the possibility of vandalism or accidental harm to the unit.
- has line of sight with neighboring units.

### Supplying AC power

The Wireless AP 7220 must be powered from AC supplies in the range 100V-240V and 45Hz-65Hz. A continuous supply of power is required for operation of the unit.

---

## Installation scenarios

Wireless AP 7220 mounting methods are determined by the characteristics of the location at which the Wireless AP 7220 is to be installed.

The Wireless AP 7220 unit is always installed vertically with the baseplate facing down. It can be installed using side mounting methods or vertical mounting methods.

Using a side mounting method, the Wireless AP 7220 can be installed on the side of a building or wall, or on a vertical pole.

Using a vertical mounting method the Wireless AP 7220 can be installed below a ceiling or on a horizontal pole.

For information on custom mounting options, contact Nortel Networks (see Appendix C, "Getting technical manuals and support," on page 25).



# Appendix C

# Getting technical manuals and support

---

## How to get technical manuals

You can print selected technical manuals and release notes free, directly from the Internet.

- 1 Go to the [www.nortelnetworks.com/documentation](http://www.nortelnetworks.com/documentation) URL.
- 2 Find the product for which you need documentation.
- 3 Locate the specific category and model or version for your hardware or software product.
- 4 Use Adobe\* Acrobat Reader\* to open the manuals and release notes, search for the sections you need, and print them on most standard printers.

Go to Adobe Systems at [www.adobe.com](http://www.adobe.com) to download a free copy of the Adobe Acrobat Reader.

## How to get support

If you purchased a service contract for your Nortel Networks product from a distributor or authorized reseller, contact the technical support staff for that distributor or reseller for assistance.

If you purchased a Nortel Networks service program, contact Nortel Networks Technical Support. To obtain contact information online, go to [www.nortelnetworks.com/cgi-bin/comments/comments.cgi](http://www.nortelnetworks.com/cgi-bin/comments/comments.cgi), then click on Technical Support.

From the Technical Support page, you can open a Customer Service Request online or find the telephone number for the nearest Technical Solutions Center. If you are not connected to the Internet, you can call 1-800-4NORTEL (1-800-466-7835) to learn the telephone number for the nearest Technical Solutions Center.

An Express Routing Code (ERC) is available for many Nortel Networks products and services. When you use an ERC, your call is routed to a technical support person who specializes in supporting that product or service. To locate an ERC for your product or service, go to [www.nortelnetworks.com/help/contact/erc/index.html](http://www.nortelnetworks.com/help/contact/erc/index.html).









## **Installing the Nortel Wireless Access Point 7220**

© 2005 Nortel Networks

All rights reserved

Information subject to change without notice

Publication: 318527-A Rev 01

Date: March 2005