

USER MANUAL

AX54 Series

Axesstel Home Alert
Wireless Alert System



Important Notice

Due to the nature of wireless communications, transmission and reception of data can never be guaranteed. Data may be delayed, corrupted (i.e., have errors) or be totally lost. Although significant delays or losses of data are rare when wireless devices are used in a normal manner with a well-constructed network, the device should not be used in situations where failure to transmit or receive data could result in damage of any kind to the user or any other party, including but not limited to personal injury, death or loss of property and this item is used under conditions greater than the body 20cm away. Axesstel accepts no responsibility for damages of any kind resulting from delays or errors in data transmitted or received using the Axesstel device or for failure of the Axesstel device to transmit or receive such data.

Safety Precautions

- Only use the supplied power adaptor, and do not use the power adaptor in temperatures over 40°C, and only use in a dry location
- Only use 9V batteries in the main unit and the motion sensors, as there is a risk of explosion if an incorrect battery type is used
- Please dispose of any used 9V batteries at a proper facility
- Do not operate the device:
 - In areas where blasting is in progress
 - Where explosive atmospheres may be present
 - Near medical equipment
 - Near life support equipment or any equipment that may be susceptible to any form of radio interference. In such areas, the device **MUST BE POWERED OFF**. The Axisstel router can transmit signals that could interfere with this equipment.

Limitation of Liability

The information in this manual is subject to change without notice and does not represent a commitment on the part of Axesstel.

AXESSTEL SPECIFICALLY DISCLAIMS LIABILITY FOR ANY AND ALL DIRECT, INDIRECT, SPECIAL, GENERAL, INCIDENTAL, CONSEQUENTIAL, PUNITIVE OR EXEMPLARY DAMAGES INCLUDING, BUT NOT LIMITED TO, LOSS OF PROFITS OR REVENUE OR ANTICIPATED PROFITS OR REVENUE ARISING OUT OF THE USE OR INABILITY TO USE ANY AXESSTEL PRODUCT, EVEN IF AXESSTEL HAS BEEN ADVISED OF THE POSSIBILITY OF SUCH DAMAGES OR THEY ARE FORESEEABLE OR FOR CLAIMS BY ANY THIRD PARTY.

Notwithstanding the foregoing, in no event shall Axesstel aggregate liability arising under or in connection with the Axesstel product, regardless of the number of events, occurrences, or claims giving rise to liability.

Table of Contents

1Introduction	6
2Product Overview.....	6
3Using your AX54	9
3.1 Package Contents	9
3.2 Knowing your Main Unit	9
3.3 LEDs.....	9
4Using your AX54	11
4.1 Battery Installation / UIM Card Installation into Main Unit.....	11
4.2 Battery Installation into Motion Sensor.....	12
4.3 Connecting the Power Adaptor	13
4.4 Placement of Main Unit / Motion Sensor	14
4.4.1 Main Unit.....	14
4.4.2 Motion Sensor.....	14
4.5 UIM Card	14
4.6 Changing the Default Password.....	16
4.7 Adding / Removing Motion Sensors	17

4.8	Adding / Removing SMS Numbers.....	18
4.9	Adding / Removing Call Numbers	20
4.10	Arming / Disarming the AX54	21
4.10.1	Arming the AX54.....	22
4.10.2	Disarming the AX54.....	24
4.11	Entry / Exit Delay	25
4.11.1	Entry Delay	25
4.11.2	Exit Delay.....	26
4.12	Panic Button	26
4.13	Factory Reset	27
5Operating Specifications	28
5.1	Main Unit	28
5.2	Motion Sensor (AI100)	32

1 Introduction

This user manual will help you place, configure and use your AX54 Alert System.

2 Product Overview

The AX54 is an easy to install, use and maintain alert system, which can provide peace of mind and security without the need for an expensive security contract.

Some features described in this manual may not be supported by your service provider or may not be available with your network account. For details of the services and accounts available, contact your service provider.

SMS / Call Alerts if the Motion Sensor is Triggered

Notify up to 8 friends and neighbors via call or SMS when motion is detected to increase chances of a close-by responder. You can program up to 3 SMS numbers and 5 call numbers.

Emergency Backup Battery

An AC adaptor with a 9V backup battery provides continued functionality in the event of a power outage.

Remote Control Convenience

The arming and disarming of the AX54 Alert System can be triggered by keypad input or by sending an SMS from one of your registered numbers.

Affordable, Easy to Setup, Configure, and Use

A basic UIM Card and prepaid / postpaid subscription provides increased peace of mind. To setup the device, you will simply need to insert the UIM Card, and ensure network coverage. You are then ready to start using your AX54 Alert system.

Easy to use Main Unit

9 LED indicators represent the product status. The unit is also very easy to program and to modify the list of SMS / Call contacts.

3 Using your AX54

3.1 Package Contents

- 1x Main Unit
- 2x Motion Sensors with brackets
- 1x Power Adaptor

3.2 Knowing your Main Unit

Your AX54 is designed to be wall mounted, or it can simply be placed on a shelf. All the LEDs are easily visible while the power cord will connect at the back.

3.3 LEDs

The AX54 has 9 LEDs to determine status of the device. The functionality of the LEDs can be found in the table below.

LED	Green	Flashing Green	Red	Off
Power	Device is Turned On	-	-	Device is Off
Battery	Battery power is Full / Medium	-	Battery Power is Low	No Battery is installed
Signal	Registered to the network and signal level is good	Signal is poor	-	No network signal
Setting / Register	In process of setting Alarm	In register status	-	Not in Setting / Registering Mode
Arming / Disarming	-	-	Alarm is Armed	Alarm is Disarmed
Zone 1	Armed	-	Alarm Detected	Disarmed
Zone 2	Armed	-	Alarm Detected	Disarmed
Zone 3	Armed	-	Alarm Detected	Disarmed
Zone 4	Armed	-	Alarm Detected	Disarmed

4 Using your AX54

4.1 Battery Installation / UIM Card Installation into Main Unit

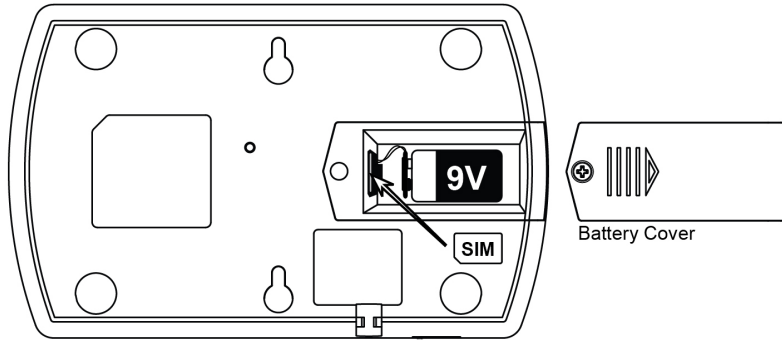
Your AX54 main unit may need a UIM Card so that it can communicate with the wireless network. It also supports battery backup. Please follow the instructions below to install the UIM Card and the 9V battery.

Note: It is advisable to install your UIM Card before you install the 9v battery.

4.2 Battery Installation into Motion Sensor

To install the battery into the Motion Sensor please follow the instructions below.

4.1 Battery Installation / SIM Card Installation into Main Unit

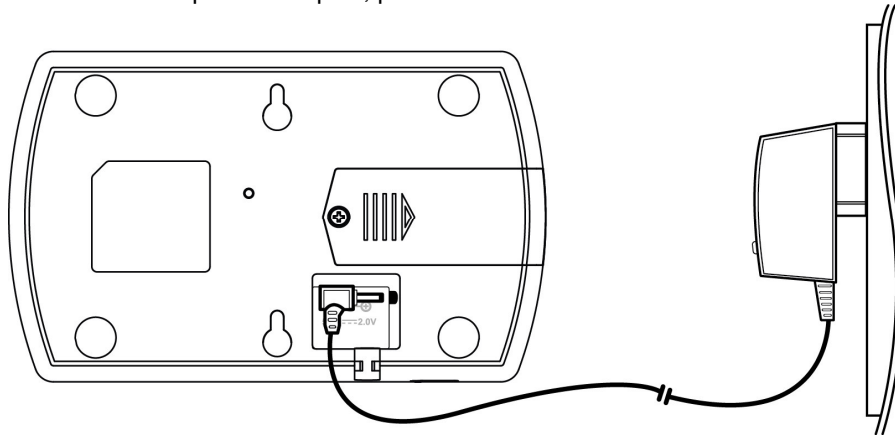


4.2 Battery Installation into Motion Sensor



4.3 Connecting the Power Adaptor

To connect the power adaptor, please follow the instructions below.



4.4 Placement of Main Unit / Motion Sensor

4.4.1 Main Unit

The keypad should be placed near the entry / exit point of the house.

4.4.2 Motion Sensor

Place on shelves or walls to detect motion within 50 meters, great for rooms with lots of windows.

4.5 UIM Card

PLEASE NOTE: THIS SECTION ONLY APPLIES TO DEVICES REQUIRING UIM CardS FOR OPERATION

Unlocking your UIM Card

The UIM Card for your device may have a PIN code enabled as default. When you insert the UIM Card and power on the unit, if the battery LED flashes green and red, this indicates that your UIM Card is locked with a PIN code. To unlock the card please enter the command below

*#→password→07->PIN Code→Func Key

Activate/ Deactivate the PIN Code

To toggle between activating and deactivating the PIN Code, please enter the following on your keypad

*#→password→07->PIN Code→Func Key

Changing your PIN Code

You may want to change your UIM Card PIN code to something more memorable to do this you can enter the command below

#→password→08->Existing PIN Code→New PIN Code→ Func Key

PUK Code

If you enter an incorrect PIN code 3 times, then you will need to enter your PUK code in order to unlock your device. The battery keypad will flash slowly between green and red. To enter your PUK code please enter the command below

#→password→09->PUK Code→New PIN Code→ Func Key

4.6 Changing the Default Password

Now that the battery is installed and the power adaptor connected you are ready to use some of the more advanced features of the AX54.

To change the default password please follow the instructions below.

Using your keypad please enter the following

#→password→00->new password→new password→Func Key

NOTE: IT IS ADVISABLE TO CHANGE YOUR PASSWORD AS SOON AS YOU CONNECT THE UNIT

*Default password is 1234. So if you wanted to change your password to 4897, then you would enter the following:

*#1234004897*4897 <Func>

4.7 Adding / Removing Motion Sensors

To add motion sensors to the AX54 please follow the instructions below. Up to 64 Motion sensors can be added across 4 zones.

*#→password→71→Func Key Trigger the sensor that you want to put in zone1

*#→password→72→Func Key Trigger the sensor that you want to put in zone2

*#→password→73→Func Key Trigger the sensor that you want to put in zone3

*#→password→74→Func Key Trigger the sensor that you want to put in zone4

Please note that you need to trigger the desired sensor within 30 seconds so that it registers correctly within the desired zone.

To add additional sensors in your desired zone please repeat the instructions above. You can have up to 16 sensors per zone.

To remove the motion sensors please follow the instructions below.

*#→password→81→Func Key zone1

*#→password→82→Func Key zone2
*#→password→83→Func Key zone3
*#→password→84→Func Key zone4

Please note that removing sensors will remove all the sensors in the specific zone.

4.8 Adding / Removing SMS Numbers

When your alarm is triggered in any zone, you can choose to send an SMS to up to 3 numbers. To add the SMS numbers into your AX54 please follow the instructions below.

#→password→11→SMS Num.1→SMS Num.1→Func Key
#→password→12→SMS Num.2→SMS Num.2→Func Key
#→password→13→SMS Num.3→SMS Num.3→Func Key

Example:

Adding the first SMS number- *#→password→11→1234567890*→1234567890→Func Key

Please note that you have to enter the desired number twice. The number that you entered will need to match. If the numbers do not match then the unit will beep 3 times. If the numbers match then you will hear 2 beeps.

To remove the SMS numbers please enter the details below.

*#→password→20→Func Key Delete all SMS telephone numbers

*#→password→21→Func Key Delete number 1

*#→password→22→Func Key Delete number 2

*#→password→23→Func Key Delete number 3

4.9 Adding / Removing Call Numbers

When your alarm is triggered as well as sending SMS, the AX54 will also dial 5 numbers of your choice. It is important to note that as the AX54 has no microphone or speaker no conversation will be permissible.

To add numbers please follow the instructions below.

#→password→31→Tel Num.1→Tel Num.1→Func Key

#→password→32→Tel Num.2→Tel Num.2→Func Key

#→password→33→Tel Num.3→Tel Num.3→Func Key

#→password→34→Tel Num.4→Tel Num.4→Func Key

#→password→35→Tel Num.5→Tel Num.5→Func Key

Example:

Adding the first telephone number-

#→password→31→1234567890→1234567890→Func Key

Please note that you have to enter the desired number twice. The number that you entered will need to match. If the numbers do not match then the unit will beep 3 times. If the numbers match then you will hear 2 beeps.

To remove the phone numbers please follow the instructions below.

*#→password→40→Func Key Delete all telephone numbers

*#→password→41→Func Key Delete number 1

*#→password→42→Func Key Delete number 2

*#→password→43→Func Key Delete number 3

*#→password→44→Func Key Delete number 4

*#→password→45→Func Key Delete number 5

4.10 Arming / Disarming the AX54

Now that the AX54 is installed, the motion sensors have been added, and the SMS / Call numbers have been input you can now start using your AX54 as an alert system. There are three arming modes within the AX54, Siren Mode, Silent Mode and Stay Mode. In all modes SMS / Calls will automatically be sent.

4.10.1 Arming the AX54

Siren Mode

In Siren mode, when the motion sensors are triggered, it will emit a high pitched continuous beep, until the unit is disarmed. To activate Siren mode enter the following:

*#->password->01->Arming Key

Silent Mode

In Silent mode, when the alarm is triggered the high pitched continuous beep will not sound making the intruder unaware that the alarm has been triggered, although SMS / Calls will be sent. To activate Silent mode enter the following:

*#->password->02->Arming Key

Stay Mode

Occasionally you may want to alarm only a certain part of your house, and this can be achieved by using Stay mode. Please note that Zone 4 will only be triggered when using stay mode.

In Stay mode, you can activate your alarm so that any motion in zones one, two or three will not trigger the alarm, but if there is any movement in zone four then the alarm will be triggered. In Stay mode you can choose whether the device emits a beep or stays silent when the alarm is triggered. To activate Stay mode enter the following:

*#→password→01->Stay Key Stay Beep Mode
*#->password->02->Stay Key Stay Silent Mode

Remote Arming

You can also arm the AX54 remotely via SMS. To do this the mobile number that you use will need to be programmed as one of the three SMS numbers. To arm the AX54 by SMS you will simply need to send a text message saying 'Arm Alarm' to the number that corresponds to the UIM that is placed in the AX54.

4.10.2 Disarming the AX54

When disarming the AX54, you can disarm in multiple ways, and these are described below.

Normal Disarming

To disarm the AX54 in a normal manner enter the following:

*#->password->05->Arming Key Normal disarming

Duress Disarming

If you are forced to disarm the unit under duress, then SMS / Calls will still be made to the numbers that are stored in your device. Disarm under duress by entering the following:

*#->password->03->Arming Key Duress disarming

Remote Disarming

You can also disarm the AX54 remotely via SMS. To do this the mobile number that you use to disarm the AX54 will need to be programmed as one of the three SMS numbers. To disarm the AX54 by SMS you will simply need to send a text message saying 'Disarm Alarm' to the number that corresponds to the SIM that is placed in the AX54.

4.11 Entry / Exit Delay

You can modify the entry / exit delay to suit your needs.

4.11.1 Entry Delay

No Entry Delay *#→password→50→Func Key

15 Seconds - *#→password→51→Func Key

30 Seconds - *#→password→52→Func Key

45 Seconds - *#→password→53→Func Key

4.11.2 Exit Delay

No Exit Delay *#→password→60→Func Key
30 Seconds - *#→password→61→Func Key
60 Seconds - *#→password→62→Func Key
90 Seconds - *#→password→63→Func Key
120 Seconds - *#→password→64→Func Key

4.12 Panic Button

Your AX54 features a panic button, that when pressed will immediately activate the siren, as well as alerting your friends and neighbors via SMS and Calls. To activate the panic button simply press the 'PANIC' button which is located on your main unit.

Please note: Once the panic button has been activated it can only be stopped by removing the power adaptor and removing the battery (if installed).

4.13 Factory Reset

If your unit malfunctions or develops any form of software fault then it may be necessary to perform a factory reset. To perform a factory reset please enter the following:

*#→password→90→Func Key

5 Operating Specifications

For ASK 433MHz, the Main Unit is only for RX function without TX function, and Motion Sensor (AI100) is only for TX function without RX function

5.1 Main Unit

<u>Item</u>	<u>Description</u>
Main CPU	M0516LBN
Module	QSC6055
Cellular 800	
Band Frequency	TX: 824MHz ~ 849MHz
	RX: 869MHz ~ 894MHz

Carrier spacing	Channel Spacing 30KHz Channel Band width : 1.23MHz
Maximum output power	300mW (24.7dBm)
RSSI	Sensitivity and Dynamic Range : -104dBm ~ -25dBm < FER = 0.5%
PCS 1900	
Band Frequency	TX: 1850MHz ~ 1910MHz
	RX: 1930MHz ~ 1990MHz
Carrier spacing	Channel Spacing : 50KHz Channel Band width : 1.23MHz
Maximum output power	300mW (24.7dBm)

RSSI	Sensitivity and Dynamic Range : -104dBm ~ -25dBm < FER = 0.5%
Form Factor	Molex connector 80PIN
Dimension	36.2*30*3.2mm
Antenna	ASK433M Spring antenna
CDMA	CDMA Dual
LED	9
Key	16
SMS number	3 sets phone number

CALL number	5 sets phone number
Zone number	4 zones
Power adapter	5V/2A
Battery	9V
ASK 433Mhz	
Band Frequency	433.82Mhz-434.02Mhz
Carrier spacing	0.2MHz
RSSI	< -110dBm
Working Temperature	-10~+50°C
Storage Temperature	-20~+70°C
Humidity	5% to 95%

5.2 Motion Sensor (AI100)

AP	BS0001
Detection mode	Passive infrared signal
Key	Molex connector 80PIN
Antenna	ASK433M Spring antenna
Detection range	6-8m
LED	Red & Green
Key	Not support
Tamper switch	Support
Battery	9V
ASK 433Mhz	
Band Frequency	433.82Mhz-434.02Mhz

Carrier spacing	0.2MHz
RSSI	< -110dBm
Working Temperature	-10~+50°C
Storage Temperature	-20~+70°C
Humidity	5% to 95%

AXESSTEL ALERT PRODUCTS

CONSUMER WARRANTY AND LIMITATION OF LIABILITY

THE AXESSTEL ALERT PRODUCT THAT YOU HAVE PURCHASED, WHEN PROPERLY INSTALLED, CAN BE USED TO DETECT MOTION IN A SPECIFIED AREA AND PROVIDE AN ALERT TO TELEPHONES OR PERSONAL DIGITAL ASSISTANTS THAT YOU SPECIFY. THE PRODUCT IS DESIGNED SOLELY TO PROVIDE AN ALERT. IT DOES NOT PROVIDE SECURITY, OR PREVENT INTRUSION, THEFT OR CRIME.

THE PRODUCT IS NOT A SECURITY SERVICE, ALERTS ARE SENT ONLY TO THE DEVICES YOU SPECIFY. THEY ARE NOT MONITORED BY AXESSTEL, THE TELEPHONE COMPANY, LAW ENFORCEMENT OR OTHER AGENCIES. ALERTS ARE SENT OVER THE PUBLIC WIRELESS TELEPHONE NETWORK. INTERRUPTION OF TELEPHONE SERVICE WILL PREVENT TRANSMISSION OF ALERTS.

LIMITED WARRANTY. FOR PERIOD OF [APPLICABLE WARRANTY PERIOD], AXESSTEL WARRANTS THAT THE ALERT PRODUCT SHALL (I) BE FREE FROM DEFECTS IN DESIGN, MATERIALS OR WORKMANSHIP, (II) CONFORM TO ITS PRODUCT SPECIFICATIONS AND (III) BE COMPLIANT WITH ITS WIRELESS COMMUNICATION STANDARD (CDMA 1X, EVDO, GSM, GPRS AND EDGE, AS APPLICABLE). FOR ANY PRODUCTS THAT FAIL TO MEET THE FOREGOING WARRANTY, AXESSTEL, SHALL REPAIR OR REPLACE SUCH PRODUCTS, IN ITS DISCRETION, SO THAT ANY DEFECTIVE PRODUCT OR ANY REPLACEMENT PRODUCT SHALL CONFORM TO THE WARRANTY.

IF AXESSTEL CANNOT CURE ANY DEFECT ON COMMERCIALY REASONABLE TERMS, AXESSTEL SHALL REFUND THE VALUE OF THE NON-CONFORMING PRODUCT WITHIN FORTY- FIVE (45) DAYS. EXCEPT FOR THE FOREGOING WARRANTY, AXESSTEL MAKES NO WARRANTIES, EXPRESS OR IMPLIED, WITH RESPECT TO THE ALERT PRODUCT, AND SPECIFICALLY DISCLAIMS ANY WARRANTIES INCLUDING BUT NOT LIMITED TO ANY WARRANTY OF MERCHANTABILITY OR FITNESS FOR A PARTICULAR PURPOSE OR AGAINST INFRINGEMENT, OR ANY EXPRESS OR IMPLIED WARRANTY ARISING OUT OF TRADE USAGE OR OUT OF A COURSE OF DEALING OR COURSE OF PERFORMANCE

AXESSTEL DOES NOT REPRESENT OR WARRANT THAT THE PRODUCT WILL OPERATE ERROR FREE, OR THAT THE PRODUCT WILL NOT BE DISABLED, COMPRISED OR CIRCUMVENTED (BY DISABLING TELEPHONE SERVICE OR IN SOME OTHER WAY). AXESSTEL DOES NOT WARRANT THAT THE PRODUCT WILL DETECT OR PREVENT ALL INTRUSION, LOSS OF PROPERTY OR PERSONAL INJURY OR BURGLARY, HOLD-UP, FIRE, OR MEDICAL PROBLEM; OR THAT THE PRODUCT WILL IN ALL CASES PROVIDE THE PROTECTION FOR WHICH IT IS INTENDED.

LIMITATION OF LIABILITY. AXESSTEL NOT BE LIABLE TO YOU UNDER ANY CIRCUMSTANCE FOR INCIDENTAL, CONSEQUENTIAL OR SPECIAL DAMAGES, ARISING OUT OF THE USE OR INABILITY TO USE, ANY OF THE ALERT PRODUCTS OR COMPONENTS. AXESSTEL WILL NOT BE RESPONSIBLE FOR ANY LOSS OF PROPERTY, DAMAGE TO PROPERTY, PERSONAL INJURY, DEATH OR OTHER INCIDENTAL DAMAGES, HOWEVER CAUSED, ARISING OUT OF THE USE OR INABILITY TO USE, ANY OF THE ALERT PRODUCTS OR

COMPONENTS. ANY LIABILITY OF AXESSTEL TO YOU, AND YOUR SOLE AND EXCLUSIVE REMEDY, FOR ANY CLAIM ARISING OUT OF THE USE OR PURCHASE OF THE PRODUCT (WHETHER IN CONTRACT, TORT, OR OTHERWISE) WILL NOT EXCEED THE PURCHASE PRICE PAID FOR THE PRODUCT WHICH IS THE SUBJECT OF SUCH CLAIM OR CAUSE OF ACTION.

NOT INSURANCE. AXESSTEL IS NOT AN INSURER AND IS NOT RESPONSIBLE FOR ACTS OR OMISSIONS OF OTHERS OR FOR EVENTS BEYOND ITS CONTROL. THE PURCHASE PRICE FOR THE PRODUCT HAS NO RELATIONSHIP TO THE VALUE, IN WHOLE OR IN ANY PART, ANY LOSS, DAMAGE, INJURY OR DEATH WHICH MIGHT RESULT TO YOU OR YOUR PROPERTY FROM ANY HAZARD OR EVENT OR CONSEQUENCE WHICH THE PRODUCT IS INTENDED TO DETECT. YOU HAVE THE SOLE RESPONSIBILITY TO OBTAIN WHATEVER INSURANCE YOU WANT TO HAVE IN ORDER TO COVER RISK, LOSSES, DAMAGES, INJURIES, DEATH AND OTHER EFFECTS OF BURGLARY, FIRE, PHYSICAL DANGERS OR MEDICAL PROBLEMS AFFECTING, YOU, YOUR FAMILY OR ANY OTHER PERSONS WHO MAY BE IN OR NEAR YOUR LOCATION. YOU WILL LOOK SOLELY TO THE PROCEEDS OF SUCH INSURANCE FOR ANY LOSS, LIABILITY, DAMAGE OR CLAIM.

USE AT OWN RISK. YOU ACCEPT THE ENTIRE RISK OF THE USE OF THE PRODUCT. YOU HEREBY AGREE TO RELEASE, DEFEND, INDEMNIFY AND HOLD AXESSTEL HARMLESS FROM AND AGAINST CLAIM OR LIABILITY FOR ANY RISK, LOSS, PROPERTY DAMAGE, PERSONAL INJURY, DEATH AND OTHER EFFECTS MENTIONED ABOVE AT YOUR SOLE COST AND EXPENSE INCLUDING ATTORNEY'S FEES.

FCC STATEMENT:

THIS DEVICE COMPLIES WITH PART 15 OF THE FCC RULES. ITS OPERATION IS SUBJECT TO THE FOLLOWING TWO CONDITIONS:

(1) THIS DEVICE MAY NOT CAUSE HARMFUL INTERFERENCE, AND

(2) THIS DEVICE MUST ACCEPT ANY INTERFERENCE RECEIVED, INCLUDING INTERFERENCE THAT MAY CAUSE UNDESIRE OPERATION.

NOTE: THIS PRODUCT HAS BEEN TESTED AND FOUND TO COMPLY WITH THE LIMITS FOR A CLASS B DIGITAL DEVICE, PURSUANT TO PART 15 OF THE FCC RULES. THESE LIMITS ARE DESIGNED TO PROVIDE REASONABLE PROTECTION AGAINST HARMFUL INTERFERENCE IN A RESIDENTIAL INSTALLATION. THIS PRODUCT GENERATES, USES, AND CAN RADIATE RADIO FREQUENCY ENERGY AND, IF NOT INSTALLED AND USED IN ACCORDANCE WITH THE INSTRUCTIONS, MAY CAUSE HARMFUL INTERFERENCE TO RADIO COMMUNICATIONS. HOWEVER, THERE IS NO GUARANTEE THAT INTERFERENCE WILL NOT OCCUR IN A PARTICULAR INSTALLATION. IF THIS PRODUCT DOES CAUSE HARMFUL INTERFERENCE TO RADIO OR TELEVISION RECEPTION, WHICH CAN BE DETERMINED BY TURNING THE EQUIPMENT OFF AND ON, THE USER IS ENCOURAGED TO TRY TO CORRECT THE INTERFERENCE BY ONE OR MORE OF THE FOLLOWING MEASURES:

—REORIENT OR RELOCATE THE RECEIVING ANTENNA.

—INCREASE THE SEPARATION BETWEEN THE EQUIPMENT AND RECEIVER.

—CONNECT THE EQUIPMENT INTO AN OUTLET ON A CIRCUIT DIFFERENT FROM THAT TO WHICH THE RECEIVER IS CONNECTED.

—CONSULT THE DEALER OR AN EXPERIENCED RADIO/TV TECHNICIAN FOR HELP.

CAUTION:

CHANGES OR MODIFICATIONS TO THIS UNIT NOT EXPRESSLY APPROVED BY THE PARTY RESPONSIBLE FOR COMPLIANCE COULD VOID THE USER'S AUTHORITY TO OPERATE THE EQUIPMENT.

NOTICE:

THIS EQUIPMENT SHOULD BE INSTALLED AND OPERATED WITH A MINIMUM DISTANCE 20CM BETWEEN THE RADIATOR AND YOUR BODY.