



AV615BHM

INSTALLATION/OWNER'S MANUAL

DVD Multimedia Receiver with Bluetooth®
featuring a 6.2" Touch Screen Display



DualMirror™



axXera™

Safety Notes:

The DVD video display of the in-dash unit will not operate while the vehicle is moving. This is a safety feature to prevent driver distraction. In-dash DVD video functions will only operate when vehicle is in Park and the parking brake is engaged. It is illegal in most states for the driver to view video while the vehicle is in motion.

Copyright Notes

This product incorporates copyright protection technology that is protected by method claims of certain U.S. patents and other intellectual property rights owned by Macrovision Corporation and other rights owners. Use of this copyright protection technology must be authorized by Macrovision Corporation, and is intended for home and other limited viewing uses only unless otherwise authorized by Macrovision Corporation. Reverse engineering or disassembly is prohibited.

Manufactured under license from Dolby Laboratories.

Dolby and the double-D symbol are registered trademarks of Dolby Laboratories.

The Bluetooth® word mark and logos are owned by the Bluetooth SIG, Inc. and any use of such marks by Namsung is under license.

Other trademarks and trade names are those of their respective owners.

Table of Contents

	Page
Warning Statement	3
Safety Information/Precautions	4
Preparation/Mounting	5
Wiring Diagram	6
Control Locations	7
Remote Preparation	8
General Operation	9-11
AM/FM Tuner Operation	12-14
CD/USB Operation	15-19
DVD Operation	20-21
DualMirror Operation	22-23
Bluetooth Operation	24-25
Auxiliary Inputs/Rear Camera Operation	26
Warranty	27
Specifications	28
Troubleshooting	29

⚠ WARNING ⚠

Upon installation of this Monitor/DVD player (“unit”) into a vehicle, the driver of the vehicle must not operate this unit by watching videos or playing video games while driving. Failure to follow this instruction could lead to driver distraction which could result in serious injury or death to the vehicle’s occupants or persons outside the vehicle and/or property damage.

Several states prohibit the installation of monitors/DVD players if the screen is visible from the driver’s seat. If you reside in a jurisdiction which has enacted such a law, this unit must not be installed so that the screen is visible from the driver’s seat. When installing this unit in the front console/dashboard, the unit must be positioned so that it is facing the front passenger seat only. Failure to follow this instruction could lead to driver distraction which could result in serious injury or death to the vehicle’s occupants or persons outside the vehicle and/or property damage.

This unit is designed so that it may be operated only when the vehicle is in “Park” and the parking brake is fully engaged. To this end, this unit includes a parking brake lock-out feature which prohibits the unit from operating if the vehicle is not in “Park” and/or the parking brake is not fully engaged. When installing this unit, the installer must connect the parking brake detect wire to the parking brake mechanism in order to make the parking brake lock-out feature operable. **DO NOT** simply ground the parking brake detect wire to a metal portion of the vehicle. Failure to properly install the parking brake lock-out feature could lead to driver distraction which could result in serious injury or death to the driver’s occupants or persons outside the vehicle and/or property damage.

Once the parking brake lock-out feature is installed, the owner/user must not attempt to disrupt/neutralize the parking brake lock-out feature by (a) partially engaging the parking brake and/or (b) purchasing/using any device or unit designed to send necessary brake signals to the unit. Failure to follow these instructions could lead to driver distraction which could result in serious injury or death to the driver’s occupants or persons outside the vehicle and/or property damage.

When operating this unit, keep the unit’s volume level low enough so that the vehicle’s occupants can hear traffic-related sounds such as police and emergency vehicles. Failure to follow this instruction could lead to driver distraction which could result in serious injury or death to the vehicle’s occupants or persons outside the vehicle and/or property damage.

Safety Information

Please read all instructions carefully before attempting to install or operate.

Due to its technical nature, it is highly recommended that your Axxera AV615BHM is installed by a professional installer or an authorized dealer. This product is only for use in vehicles with 12VDC negative ground only.

To prevent damage or injury:

- Make sure to ground the unit securely to the vehicle chassis ground.
- Do not remove the top or bottom covers of the unit.
- Do not install the unit in a spot exposed to direct sunlight or excessive heat or the possibility of water splashing.
- Do not subject the unit to excessive shock.
- When replacing a fuse, only use a new one with the prescribed rating. Using a fuse with the wrong rating may cause the unit to malfunction.
- To prevent short circuits when replacing a fuse, disconnect the wiring harness first.
- Use only the provided hardware and wire harness.
- You cannot view video while the vehicle is moving. Find a safe place to park and engage the parking brake.
- If you experience problems during installation, consult your nearest Axxera dealer.
- If the unit malfunctions, reset the unit as described on page 10 first. If the problem still persists, consult your nearest Axxera dealer or call tech assistance @ 1-866-382-5476.
- To clean the monitor, wipe only with a dry silicone cloth or soft cloth. Do not use a stiff cloth, or volatile solvents such as paint thinner and alcohol. They can scratch the surface of the panel and/or remove the printing.
- When the temperature of the unit falls (as in winter), the liquid crystal inside the screen will become darker than usual. Normal brightness will return after using the monitor for a while.
- When extending the ignition, battery or ground cables, make sure to use automotive-grade cables or other cables with an area of 0.75mm (AWG 18) or more to prevent voltage drops.
- Do not touch the liquid crystal fluid if the LCD is damaged or broken. The liquid crystal fluid may be hazardous to your health or fatal. If the liquid crystal fluid from the LCD contacts your body or clothing, wash it off with soap immediately.

FCC Compliance

This device complies with Part 15 of the FCC Rules. Operation is subject to the following two conditions:

- (1) this device may not cause harmful interference, and
- (2) this device must accept any interference received, including interference that may cause undesired operation.

Warning: Changes or modifications to this unit not expressly approved by the party responsible for compliance could void the user's authority to operate the equipment.

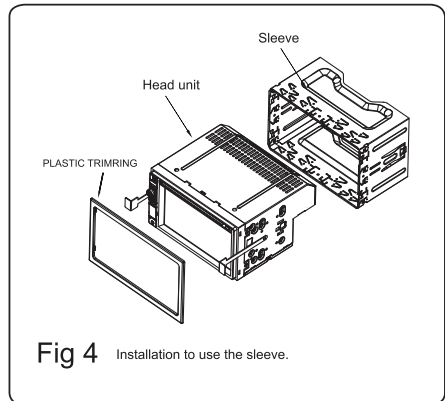
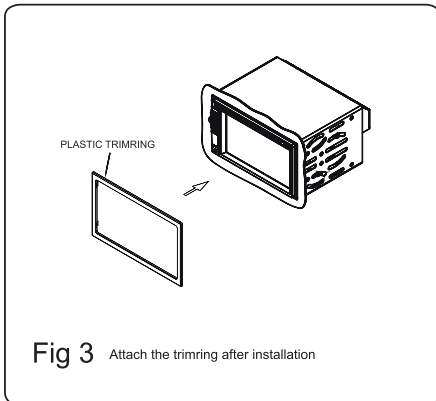
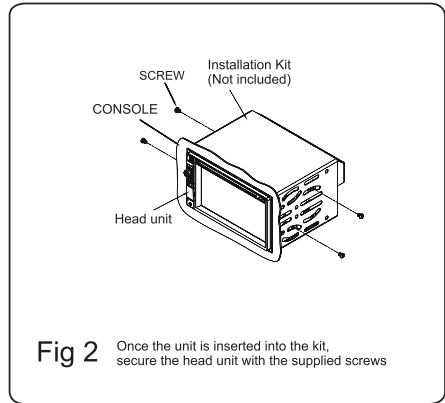
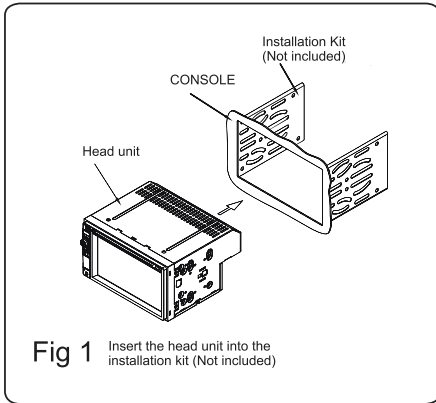
Note: This equipment has been tested and found to comply with the limits for a Class B digital device, pursuant to Part 15 of the FCC Rules. These limits are designed to provide reasonable protection against harmful interference in a residential installation. This equipment generates, uses and can radiate radio frequency energy and, if not installed and used in accordance with the instructions, may cause harmful interference to radio communications. However, there is no guarantee that interference will not occur in a particular installation. If this equipment does cause harmful interference to radio or television reception, which can be determined by turning the equipment off and on, the user is encouraged to try to correct the interference by one or more of the following measures:

- Reorient or relocate the receiving antenna.
- Increase the separation between the equipment and receiver.
- Connect the equipment into an outlet on a circuit different from that to which the receiver is connected.
- Consult the dealer or an experienced radio/TV technician for help.

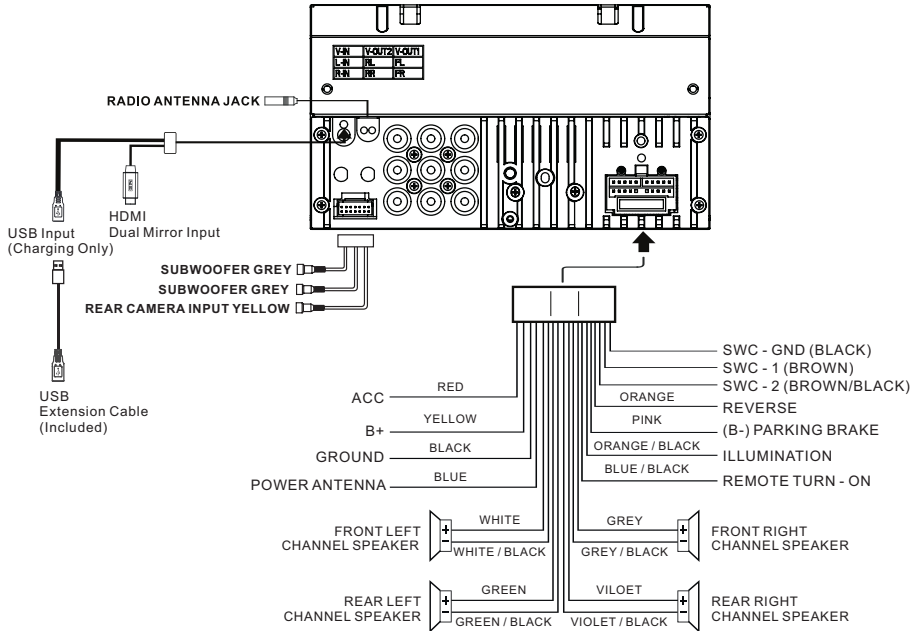
Preparation

Before You Start

- Disconnect negative battery terminal. Consult a qualified technician for instructions.
- Avoid installing the unit where it would be subject to high temperatures, such as from direct sunlight, or where it would be subject to dust, dirt or excessive vibration.



Wiring Diagram - Inputs/Outputs



Note:

When replacing a fuse, make sure to use the correct type and amperage. Using an incorrect fuse could cause damage. The unit uses (1) 15 amp ATM mini style fuse located inside the in-line filter box.

Wiring Notes:

Subwoofer output

The **Subwoofer** preamp audio output (black jacket with green RCA) is active in all audio modes.

Rear camera input

A rear view camera (not included) can be used with the **Camera** input.

Connecting a device


DualMirror technology allows you to mirror the screen of select Android smartphones as well as iPhone, iPod and iPad devices.

Control Locations



- | | |
|---------------------------|-------------------|
| ① Power/Mode | ⑥ IR Sensor |
| ② Play/Pause/Channels 1-6 | ⑦ USB Port |
| ③ Select/Volume Up/Down | ⑧ Reset |
| ④ Mute | ⑨ Auxiliary Input |
| ⑤ Microphone | ⑩ Eject |

General Operation

Power On/Off	Momentarily press  to turn the unit on or off.
Volume	Rotate the volume knob to increase or decrease the volume level.
Mute	Momentarily press MUTE to silence the audio. Momentarily press MUTE again to return to the previously selected volume. Rotating the volume knob while the muted will also cancel the mute function.
Mode	Press MODE to step through all available input modes: Radio, Disc (which includes DVD and CD playback), USB, Bluetooth Phone, Bluetooth Music, DualMirror, Camera, Auxiliary Input and AV In. Modes of operation are indicated on the display and/or the monitor. USB flash drive must be connected to appear in the mode selection string.
Auxiliary Input	Connect external audio/video devices to the 3.5mm auxiliary input on the front panel.
USB Port	Connect a USB device to the USB port on the front panel to play MP3/WMA files or view AVI, MP4 video files or JPG photos.
Main Menu	From any operational mode, press the house icon in the top left corner to access the Main Menu screen.



1. Put the monitor into standby mode.
2. Eject the disc.
3. Set up steering wheel controls (view Steering Wheel Controls insert included with the unit for details).

General Operation

Setup Menu

From the Main Menu screen, press **SETUP** in the bottom right corner to access the Setup menu and select from six categories across the bottom: General, Time, Video, Language, Illumination and Calibration.



General:

- **Animation** - Select **Off**, **10 second**, **30 second**, **1 minute**, **90 second**, **2 minute**, **3 minute** or **4 minute** to set animation length.
- **Key Beep** - Select a **OFF** or **ON** to select whether or not the unit beeps each time a key is pressed.
- **Disc** - Adjust the following disc options:
 - **Format** - Select NTSC, PAL or AUTO.
 - **TV Type** - Select 4:3PS, 4:3 LB or 16:9.
 - **Rating** - Select desired rating.
- **Radio** - Adjust the following radio options:
 - Select between **STEREO** or **MONO** operation.
 - Select between **LOCAL** or **DX** (distance) tuning.
 - Select between the following region settings: **EUROPE**, **USA**, **AMERICAN1**, **AMERICAN2** and **DIRT**.
 - Select between RDS Regional **ON** or **OFF**.
 - Select between RDS PI **MUTE** or **SOUND**.
 - Select between RDS TA **OFF** or **ON**.
 - Select between RDS AF **OFF** or **ON**.
- **Wallpaper** - Select from three different wallpaper options.
- **Camera Icon** - Turn the camera icon **ON** or **OFF** on the Source Menu.
- **Bluetooth** - Adjust the following Bluetooth options:
 - Turn Bluetooth **On** or **OFF**.
 - Turn Auto Answer feature **On** or **OFF** to determine whether or not the unit will automatically answer incoming calls.
 - Turn Auto Connect feature **On** or **OFF** to determine whether or not the unit will automatically connect to available devices.
 - Turn Auto Download feature **On** or **OFF**.
- **Dimmer** - Adjust the dimmer levels between **1** and **6**, or turn the dimmer **OFF**. Dimmer can also be adjusted by tapping the dimmer icon on the LCD.
- **Demo** - Turn Demo mode **OFF** or **ON**.
- **About** - Select to view information about the unit.

General Operation

Setup Menu

Time:

- **Hour** - Press < or > to adjust the hour down or up.
- **Minute** - Press < or > to adjust the minutes down or up.
- **Format** - Select between a 12HR or 24HR clock display.
- **AM/PM** - Select between AM and PM for current clock time.

Video:

- **Color** - Drag to adjust between -20 and 20.
- **Brightness** - Drag to adjust between -20 and 20.
- **Contrast** - Drag to adjust between -20 and 20.
- **Tint** - Drag to adjust between -20 and 20.

Language:

- **English** - Set the unit language to English.

RGB Illumination:

- **Red/Green/Blue** - Drag each level to manually adjust the unit's illumination color.
- **Color Selector** - Use the color selector at the bottom of the screen to select the unit's illumination color.
- **Auto Color** - Select this option to restore automatic color settings.

Calibration:

- **Calibrate the Screen** - Press YES to calibration the touch screen.

Reset

To resolve abnormal operation or if the unit is inoperable, use the tip of a pen to press the **RESET** button (located in the bottom left corner). The unit will reset the main processor to the default settings.

AM/FM/RDS Tuner Operation



Radio Operation

Select the Radio icon from the Main Menu screen.

Main Menu (1)

Press to return to Main Menu screen.

Current Mode Indicator (2)

Displays current mode of operation.

Tune Frequency Down (3)

Press << to tune radio to a lower frequency. Press < to tune the unit down one step at a time.

Tune Frequency Up (4)

Press >> to tune radio to a higher frequency. Press > to tune the unit up one step at a time.

Phone (5)

Press to access the Phone when Bluetooth is enabled. If Bluetooth is turned off, pressing this button will turn it on.

Camera (6)

Press to access the Camera when the camera function is enabled.

Previous Options (7)

Press to see the previous screen of options.

Preset Stations (8)

Press to display the six preset stations stored in memory in the current band. To store a preset station, tune unit to desired station, then press and hold the desired preset button to store the current station in that preset spot. Up to 18 FM and 12 AM stations can be stored in memory. Momentarily press any preset station to play it instantly. (Preset station display is pictured on the following page.)

Mute (9)

Press to mute the unit's sound. Press again to unmute, or sound can be restored by adjusting the volume knob of the front panel.

AM/FM/RDS Tuner Operation



Audio ⑩ Press to adjust the following Audio options:

- **EQ** - Select from the preset EQ options: JAZZ, CLASSIC, POP, ROCK, BEAT OR FLAT, or select USER to manually adjust Bass, Middle and Treble options between -7 and 7.
- **Fader/Balance** - Drag to adjust Fader options between 10F (front) and 10R (rear) and Balance options between 10L (left) and 10R (right).
- **Subwoofer/Loudness**
 - Adjust subwoofer volume from **1-12**, or turn subwoofer **OFF**.
 - Select between **OFF, LOW** or **HIGH** loudness levels.
- **ASP**
 - Bass Center Frequency: 60Hz, 80Hz, 100Hz or 200Hz.
 - Bass Q Value: 1.0, 1.25, 1.5 or 2.0.
 - Middle Center Frequency: 500Hz, 1 kHz, 1.5kHz or 2.5kHz.
 - Middle Q Value: 0.5, 0.75, 1.0 or 1.25.
 - Treble Center Frequency: 10kHz, 12.5kHz, 15kHz, 17.5kHz.
 - Loudness Center Frequency: FLAT, 400Hz, 800Hz, 2400Hz.
 - Subwoofer Center Frequency: FLAT, 80Hz, 120Hz, 160Hz.

Automatically Store / Preset Scan ⑪

Press to scan preset stations and listen to the first 10 seconds of each. Press again to stop scanning and listen to the station. Press and hold to automatically find and store the strongest stations as presets.

Band ⑫

Press to select between two AM and three FM bands.

Next Options ⑬

Press to see the next screen of options.

AM/FM/RDS Tuner Operation



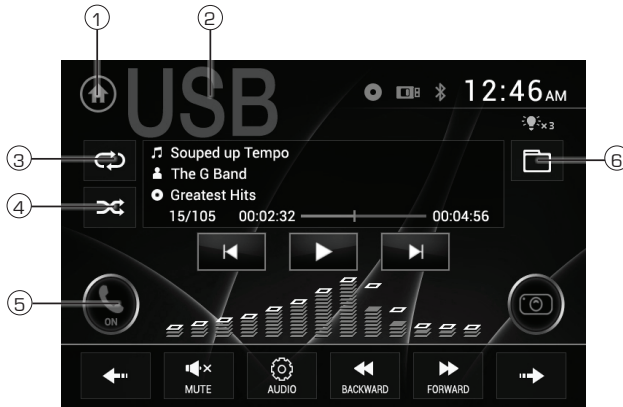
Local / Distance ⑭ Press to toggle between LOCAL and DX (distance) tuning.

Program Type (PTY) ⑮ Press to select Program Type / Genre.

Traffic Announcements ⑯ Press to turn on/off Traffic Announcements.

Alternative Frequencies ⑰ Press to select Alternative Frequencies.

CD/USB Operation



CD/MP3/WMA or JPG Operation

To play audio files from a disc or MP3/WMA files from a disc or USB device, insert disc or device and playback will begin automatically. To return to disc or USB playback from another mode of operation, select the corresponding icon from the Main Menu.

- **Disc Playback** - Insert disc into the slot, and playback will begin automatically.
- **USB Playback** - Insert a USB device into the USB slot on the side of the unit.

Main Menu (1) Press to return to Main Menu screen.

Current Mode Indicator (2) Displays current mode of operation.

Repeat (3) Press to select a repeat option: Repeat 1, Repeat Folder or Repeat Off.

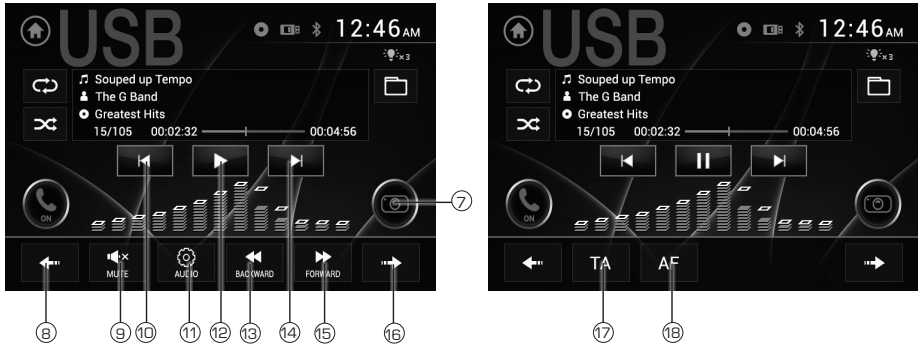
Random (4) Press to enable or disable random playback.

Phone (5) Press to access the Phone when Bluetooth is enabled. If Bluetooth is turned off, pressing this button will turn it on.

Direct File Access (6) Press to access the directory of folders and files. Use the up/down arrows to scroll through the folder list, then press on the name of the desired folder to access it. Use the up/down arrows to scroll through the file list, then press on the name of the desired file to access it.

The default display will show Music files. Select the Photo or Video icons at the bottom of the screen to display those files instead.

CD/USB Operation



- | | | |
|--------------------------------|------|--|
| Camera | (7) | Press to access the Camera when the camera function is enabled. |
| Previous Options | (8) | Press to see the previous screen of options. |
| Mute | (9) | Press to mute the unit's sound. Press again to unmute, or sound can be restored by adjusting the volume knob of the front panel. |
| Previous File/Track | (10) | Press to go back to the previous file or track. |
| Audio | (11) | Press to adjust Audio options (refer to page 13 for details). |
| Play / Pause | (12) | Press to pause or resume playback. |
| Backward | (13) | Press to fast reverse the current track at various speeds: FRx2, FRx4, FRx8 or FRx20. |
| Next File/Track | (14) | Press to advance to the next file or track. |
| Forward | (15) | Press to fast forward the current track at various speeds: FRx2, FRx4, FRx8 or FRx20. |
| Next Options | (16) | Press to see the next screen of options. |
| Traffic Announcements | (17) | Press to turn on/off Traffic Announcements. |
| Alternative Frequencies | (18) | Press to select Alternative Frequencies. |

Media Compatibility - USB

File Type		WMA	MP3		
File System	FAT	FAT 12	X	X	
		FAT 16/FAT 32	✓	✓	
File Extension	.mp3/.MP3/.Mp3/.mP3		X	✓	
	.wma/WMA		✓	X	
	.rmp/.m4a		X	X	
MPEG Format	MPEG 1		X	✓	
	MPEG 2		X	✓	
	MPEG 2.5		X	✓	
Sampling Frequency	MPEG 1		X	32/44.1/48kHz	
	MPEG 2		X	12/16/22.05/24kHz	
	MPEG 2.5		X	8/11.025/12kHz	
	WMA		32/44.1/48kHz	X	
Bitrate	MPEG 1		X	32 ~ 320kbps	
	MPEG 2		X	8 ~ 160kbps	
	MPEG 2.5		X	8 ~ 160kbps	
	WMA		32 ~ 192kbps	X	
Other Information	Directory Depth		Unlimited	Unlimited	
	File Name Length		32 bytes	32 bytes	
	Total File Number		2000 files	2000 files	
	Total Folder Number		200 folders	200 folders	
	File Number via Folder		2000 files	2000 files	
	MP3 ID3 TAG	ver.1.x		X	✓
		ver.2.x		X	✓
		Title, Artist, Album		X	✓
WMA TAG	Title, Artist		✓	X	

Notes:

- For USB mode, it is not possible to view JPG files on the in-dash monitor while the vehicle is moving. This is a safety feature to prevent driver distraction.
- The JPG image viewer function will only operate when vehicle is in park and the parking brake is engaged.
- Due to ongoing technological advancement, some USB flash drives may be incompatible with this unit.

Media Compatibility - CD/DVD

File Type				WMA	MP3
File System	ISO9660	Level 1, Level 2		✓	✓
		Level 3		X	X
	ISO9660 Extension	JOLIET	Playback	✓	✓
			Filename	32 bytes	32 bytes
	Other Extensions	ROMEO	Playback	X	X
			Filename	X	X
		Apple ISO	X	X	
File Extension	.mp3/.MP3/.Mp3/.mP3			X	✓
	.wma/.WMA			✓	X
	.rmp/.m4a			X	X
MPEG Format	MPEG 1			X	✓
	MPEG 2			X	✓
	MPEG 2.5			X	✓
Sampling Frequency	MPEG 1			X	32/44.1/48kHz
	MPEG 2			X	12/16/22.05/24kHz
	MPEG 2.5			X	8/11.025/12kHz
	WMA			32/44.1/48kHz	X
Bitrate	MPEG 1			X	32 ~ 320kbps
	MPEG 2			X	8 ~ 160kbps
	MPEG 2.5			X	8 ~ 160kbps
	WMA			32 ~ 192kbps	X
Other Information	Directory Depth			Unlimited	Unlimited
	File Name Length			32 bytes	32 bytes
	Total File Number			2000 files	2000 files
	Total Folder Number			200 folders	200 folders
	File Number via Folder			2000 files	2000 files
	MP3 ID3 TAG	ver.1.x		X	✓
		ver.2.x		X	✓
		Title, Artist, Album		X	✓
WMA TAG	Title, Artist		✓	X	

Notes:

- It is not possible to view JPG files on the in-dash monitor while the vehicle is moving. This is a safety feature to prevent driver distraction.
- The JPG image viewer function will only operate when vehicle is in park and the parking brake is engaged as described on page 26.

Media Compatibility

Media Compatibility

The following types of discs/files are compatible:

- CD-DA, CD-ROM (ISO), CD-R, CD-RW
- DVD Video, DVD+R/RW, DVD-R/RW
- AVI - Max video resolution: 720x480, Max video bit rate: 5000 kbps
- Mpeg2: Max video resolution: 720x480, Max video bit rate: 5000 kbps
- Mpeg4: Max video resolution: 720x480, Max video bit rate: 5000 kbps
- DivX/Xvid: Max video resolution: 720x480, Max video bit rate: 5000 kbps
- SD/USB format type: FAT32/FAT

The following types of discs/files are not compatible:

- WMA files that are protected by DRM (Digital Rights Management)
- WMA lossless format
- Discs recorded with Track At Once or packet writing
- MP3 PRQ format, MP3 playlists
- RMP format
- WAV format
- WMV format
- AAC, protected AAC, M4A format

Some recordable DVD's and CD's may be incompatible with this unit, depending on media type and recording method.

Playback Order

MP3/WMA playback sequence begins in the root folder of the disc or USB flash drive. Any empty folders or folders that do not include MP3/WMA/JPG files are skipped.

Compatible Recording Formats

ISO9660 standards:

- Maximum nested folder depth is 8 (including the root folder).
- Valid characters for folder/file names are letters A-Z (all caps), numbers 0-9, and "_" (underscore). Some characters may not be displayed correctly, depending on the character type.
- This device can play back discs in Joliet and other standards that conform to ISO9660. MP3/WMA written in the formats other than the above may not play and/or their file names or folder names may not be displayed properly.

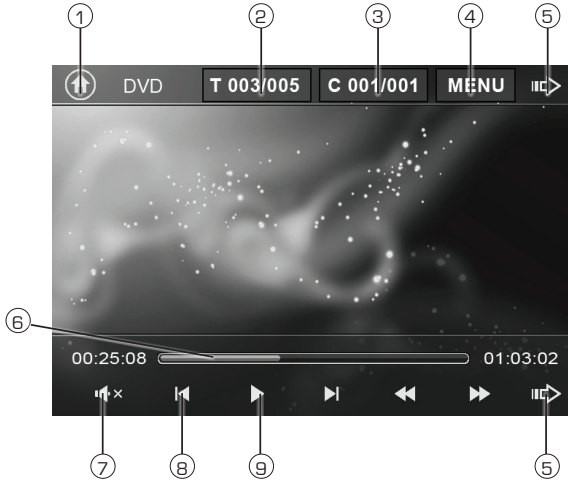
Notes

Some files may not play or be displayed correctly, depending on sampling rates and bit rates.

For best results, use the following settings when ripping MP3 files:
128kbps or higher constant bit rate
44.1kHz or higher sampling frequency

For best results, use the following settings when ripping WMA files:
64kbps or higher constant bit rate
44.1kHz or higher sampling frequency


DVD Operation



Inserting a Disc

Insert disc into the slot, and playback will begin automatically. Sub-menus may have to be pressed to access the DVD content. Read the directions of your specific DVD disc for other features.

Ejecting the Disc

Press  to eject the disc.

Touchscreen Controls

Press anywhere on the LCD to display touch screen controls.

Main Menu

Press to return to Main Menu screen.

Direct Title Access

Press to directly select a chapter or title if allowed by current disc.

Direct Chapter Access

Press and use the keypad to directly select a specific chapter.

DVD Menu

Press to return to the DVD menu.

Additional Options

Press to reveal additional DVD options:

- **Subtitles** - Select between subtitle options English and Off.
- **Language** - Select playback language (if allowed by disc).
- **Angle** - Select desired playback angle (if allowed by disc).

Elapsed Time

Displays elapsed time and time remaining on the DVD.

Mute

Press to mute the unit's sound. Press again to unmute, or sound can be restored by adjusting the volume knob of the front panel.

Previous Chapter

Press to return to the previous chapter on the DVD.

Play / Pause

Press to play or pause DVD playback.

DVD Operation



Next Chapter ⑩

Press to advance to the next chapter.

Fast Reverse ⑪

Press to fast reverse playback at various speeds: FRx2, FRx4, FRx8 or FRx20.

Fast Forward ⑫

Press to fast forward playback at various speeds: FRx2, FRx4, FRx8 or FRx20.

Repeat ⑬

Press to select from the following repeat options: Repeat Chapter, Repeat Title, Repeat All or Repeat Off.

Random ⑭

Press Random to play chapters in random order or Random Off to play disc in order.

Phone ⑮

Press to access the Phone when Bluetooth is enabled. If Bluetooth is turned off, pressing this button will turn it on.

Traffic Announcements ⑯

Press to turn on/off Traffic Announcements.

Alternative Frequencies ⑰

Press to select Alternative Frequencies.

Previous Options ⑱

Press to view the previous option screen.

DualMirror™ Operation

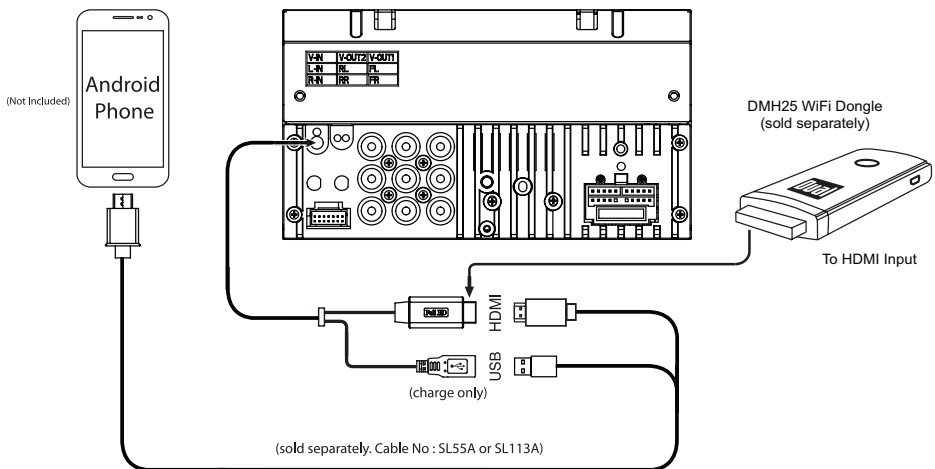
The DualMirror™ technology allows you to mirror the screen of select Android smartphones as well as iPhone, iPod and iPad devices onto the receiver's screen and to charge your mobile device through the rear USB port. Simply plug in your device to the rear HDMI and USB inputs, and you are ready to view your favorite navigation or music apps directly on the receiver's screen.

Note: The rear USB port is only for charging [not for playback].

The DualMirror™ technology requires the following cables which are sold separately.

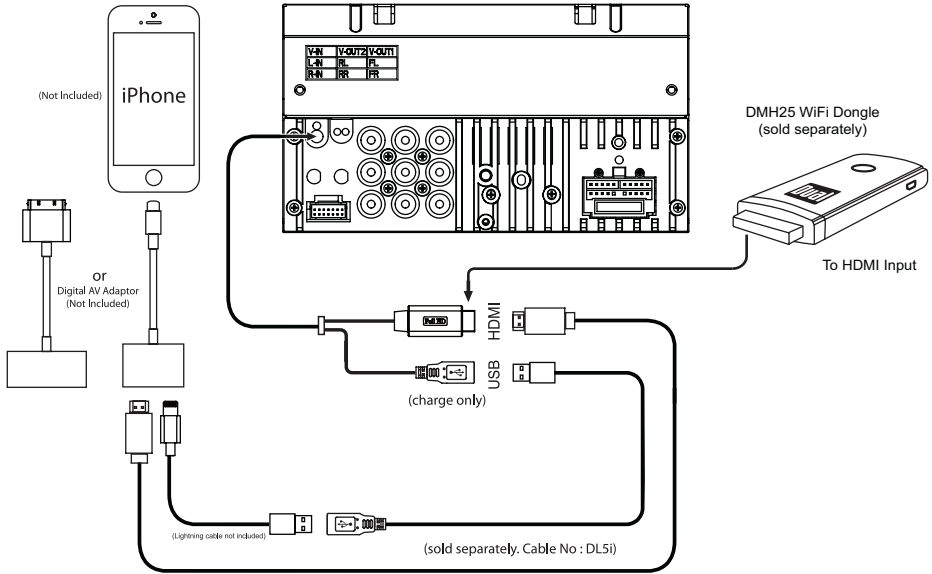
Cable Number	Devices	Product Description	Wire Length
SL55A	For Android devices	5-pin mircoUSB connector to HDMI + USB	5ft
SL113A	For Android devices	11-pin mircoUSB connector to HDMI + USB	3ft
SL115A	For Android devices	11-pin mircoUSB connector to HDMI + USB	5ft
DL5i	For iOS devices	HDMI cable & USB cable	5ft

Connecting an Android device



DualMirror™ Operation

Connecting an iPhone, iPod or iPad device



Bluetooth Operation



Preparation

Before you can use a Bluetooth device, it must be paired and connected. Make sure that Bluetooth is activated on your device before you begin the pairing process.

Pairing a New Device

The unit broadcasts the pairing signal constantly when no devices are currently connected. Complete the pairing sequence from your Bluetooth device. Refer to the owner's manual for your device for more details. **The device name is "AXXERA BT". The Bluetooth passcode "0000".** The unit can be in any mode of operation when pairing is performed.

Note: On certain phones, pairing may need to be done more than once if there are connectivity issues.

Connecting a Paired Device

Most Bluetooth devices support the auto-connect feature and will connect automatically if the device is in range when the unit is powered-on. If your device was previously paired but does not connect, enter the Bluetooth setup menu and ensure that Auto Connect is On.

Bluetooth Phone

To access the phone, select Bluetooth Phone from the Main Menu or press the phone icon from any operational mode.

Main Menu ①

Press to return to the Main Menu screen.

Current Mode Indicator ②

Displays current mode of operation.

Phone Keypad ③

Use the phone keypad to dial the desired phone number. Alternately, numbers can be dialed directly from the phone.

Redial ④

Press to redial the last number called.

Talk ⑤

Press to connect a call.

Backspace ⑥

Press to backspace when typing a number with the keypad.

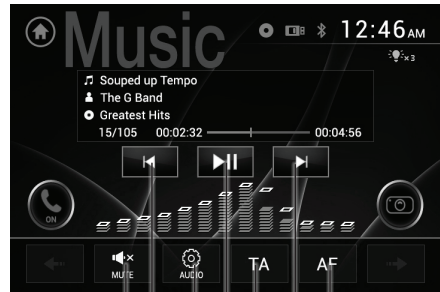
End Call ⑦

Press if to end a call.

Bluetooth Operation



8 9 10 11 12 13



14 15 16 17 18 19 20

- Make a Call** (8) Press to display the keypad and make a call.
- Dialed Call Log** (9) Press to display a log of dialed calls. Use the icons on the right to search for a specific contact or scroll through the list.
- Received Call Log** (10) Press to display a log of received calls. Use the icons on the right to search for a specific contact or scroll through the list.
- Missed Call Log** (11) Press to display a log of missed calls. Use the icons on the right to search for a specific contact or scroll through the list.
- Contacts** (12) Press to display contacts. Use the icons on the right to search for a specific contact or scroll through the list.
- View Connections** (13) Press to view active and available Bluetooth connections. Use the icons on the right to disconnect and connect, search or scroll.
- Bluetooth Music** To use your Bluetooth connection to play music from your device, select Bluetooth Music from the Main Menu.
- Mute** (14) Press to mute the unit's sound. Press again to unmute, or sound can be restored by adjusting the volume knob of the front panel.
- Previous File/Track** (15) Press to go back to the previous file or track.
- Audio** (16) Press to adjust Audio options (refer to page 13 for details).
- Play / Pause** (17) Press to pause or resume playback.
- Traffic Announcements** (18) Press to turn on/off Traffic Announcements.
- Next File/Track** (19) Press to advance to the next file or track.
- Alternative Frequencies** (20) Press to select Alternative Frequencies.

Front 3.5mm Aux Input & Rear RCA A/V Input

Auxiliary Input

Connect an optional audio source into the 3.5mm (front panel) input.

Select auxiliary input from the Main Menu to listen to audio.

Adjust volume on the external audio source as needed (if connected to the headphone output of the device).

Using AV Input

Connect an optional audio/video source to the rear auxiliary input (Red/White/Yellow RCA connectors). Refer to page 6 for details.

Select AV Input from the Main Menu to listen to audio.

Engage parking brake to watch video.

Rear Camera Operation (Optional)

Using Rear Camera

Connect an optional rear camera to the Camera Input (Black RCA connector). Refer to the wiring diagram for details.

Manual selection - Touch CAMERA icon from the Main Menu or from any operational mode (when enabled) to select camera mode. Touch the top left area on the screen to exit camera mode.

Note: The manual mode is for dedicated cameras that are ALWAYS on while driving, it is not meant for cameras that are connected to the vehicle's reverse light.

Auto Selection

The unit will automatically select camera mode when connected to the reverse lamp circuitry.

Note: The external video output is not active when using the rear camera input.

Limited One Year Warranty

This warranty gives you specific legal rights. You may also have other rights which vary from state to state.

Dual Electronics Corp. warrants this product to the original purchaser to be free from defects in material and workmanship for a period of one year from the date of the original purchase.

Dual Electronics Corp. agrees, at our option, during the warranty period, to repair any defect in material or workmanship or to furnish an equal new, renewed or comparable product (whichever is deemed necessary) in exchange without charges, subject to verification of the defect or malfunction and proof of the date of purchase. Subsequent replacement products are warranted for the balance of the original warranty period.

Who is covered? This warranty is extended to the original retail purchaser for products purchased from an authorized Dual dealer and used in the U.S.A.

What is covered? This warranty covers all defects in material and workmanship in this product. The following are not covered: software, installation/removal costs, damage resulting from accident, misuse, abuse, neglect, product modification, improper installation, incorrect line voltage, unauthorized repair or failure to follow instructions supplied with the product, or damage occurring during return shipment of the product. Specific license conditions and copyright notices for the software can be found via www.dualav.com.

What to do?

1. Before you call for service, check the troubleshooting guide in your owner's manual. A slight adjustment of any custom controls may save you a service call.
2. If you require service during the warranty period, you must carefully pack the product (preferably in the original package) and ship it by prepaid transportation with a copy of the original receipt from the retailer to an authorized service center.
3. Please describe your problem in writing and include your name, a return UPS shipping address (P.O. Box not acceptable), and a daytime phone number with your shipment.
4. For more information and for the location of the nearest authorized service center please contact us by one of the following methods:

- Call us toll-free at 1-866-382-5476
- E-mail us at cs@dualav.com

Exclusion of Certain Damages: This warranty is exclusive and in lieu of any and all other warranties, expressed or implied, including without limitation the implied warranties of merchantability and fitness for a particular purpose and any obligation, liability, right, claim or remedy in contract or tort, whether or not arising from the company's negligence, actual or imputed. No person or representative is authorized to assume for the company any other liability in connection with the sale of this product. In no event shall the company be liable for indirect, incidental or consequential damages.

Specifications

Disc	Frequency response: 20Hz-20kHz Channel separation @ 1kHz: >80dB D/A converter: 24 Bit
FM Tuner	Tuning range: 87.5MHz-107.9MHz Usable sensitivity: 10dBf 50dB quieting sensitivity: 20dBf Stereo separation @ 1kHz: 38dB Frequency response: 30Hz-13kHz
AM Tuner	Tuning range: 530kHz-1710kHz Usable sensitivity: 24uV Frequency response: 30Hz-2.3kHz
Front USB	Compatibility: High Speed USB 2.0 USB Class: Mass storage class
Monitor	Panel size: 6.2" diagonal measurement View angle (up/down/left/right): 50/70/70/70 Resolution: 800 (H) x 480 (V) Brightness (cd/m ²): 250 Contrast ratio: 500:1 Pixels: 1,152,000
General	Speaker output impedance: 4 ohms Line output voltage: 4 volt RMS Line output impedance: 200 ohms Chassis dimensions: 7" x 7" x 4" (W x D x H) Design and specifications subject to change without notice.



CEA-2006 Power Standard Specifications
(reference: 14.4VDC +/- 0.2V, 20Hz~20kHz)

Power Output: 16 Watts RMS x 4 channels at 4 ohms and $\leq 1\%$ THD+N
Signal to Noise Ratio: 80dBA (reference: 1 watt into 4 ohms)

Troubleshooting

General		
Problem	Cause	Action
Unit will not turn on (no power)	Yellow wire not connected or incorrect voltage Red wire not connected or incorrect voltage	Check connections for proper voltage (11 ~ 16VDC)
	Black wire not connected	Check connection to ground
	Fuse blown	Replace fuse(s)
Unit has power (but no sound)	Speaker wires not connected	Check connections at speakers
	One or more speaker wires touching each other or touching chassis ground	Insulate all bare speaker wires from each other and chassis ground
Unit blows fuse(s)	Yellow or red wire touching chassis ground	Check for pinched wire
	Speaker wires touching chassis ground	Check for pinched wire
	Incorrect fuse rating	Use fuses with correct rating
Unit has audio (but no video)	Parking brake safety circuit not connected Parking brake not applied	Check connections at parking brake Apply parking brake as described on page 26
	Reverse circuit not connected Vehicle is not in reverse	Check connections at reverse lamp Select reverse gear
DVD does not start playback	Physical defect in media Wrong region	Check media for scratches Use discs labeled "Region 1" or "All" only
IR remote does not work	Dead battery	Replace battery
Excessive skipping	Unit is not mounted correctly	Check mounting sleeve
	Physical defect in media	Check media for scratches
Disc Region Incorrect appears on display	Region code error	Use discs labeled "Region 1" or "All" only

For Your Records

Please keep your original sales receipt and be prepared to provide this receipt in the event you require service, as your original receipt is considered the best proof of purchase and indicates the date you purchased your Axxera product.

Dealer Name _____

Dealer Phone _____

Purchase Date _____

Register Your Product

Register your product online at www.dualav.com.

axxera[™]

Dual Electronics Corp.
Toll Free: 1-866-382-5476
Monday-Friday, 9AM-5PM EST

www.axxeraaudio.com
©2016 Dual Electronics Corp. All rights reserved.
NSA0416-V01
Printed in China