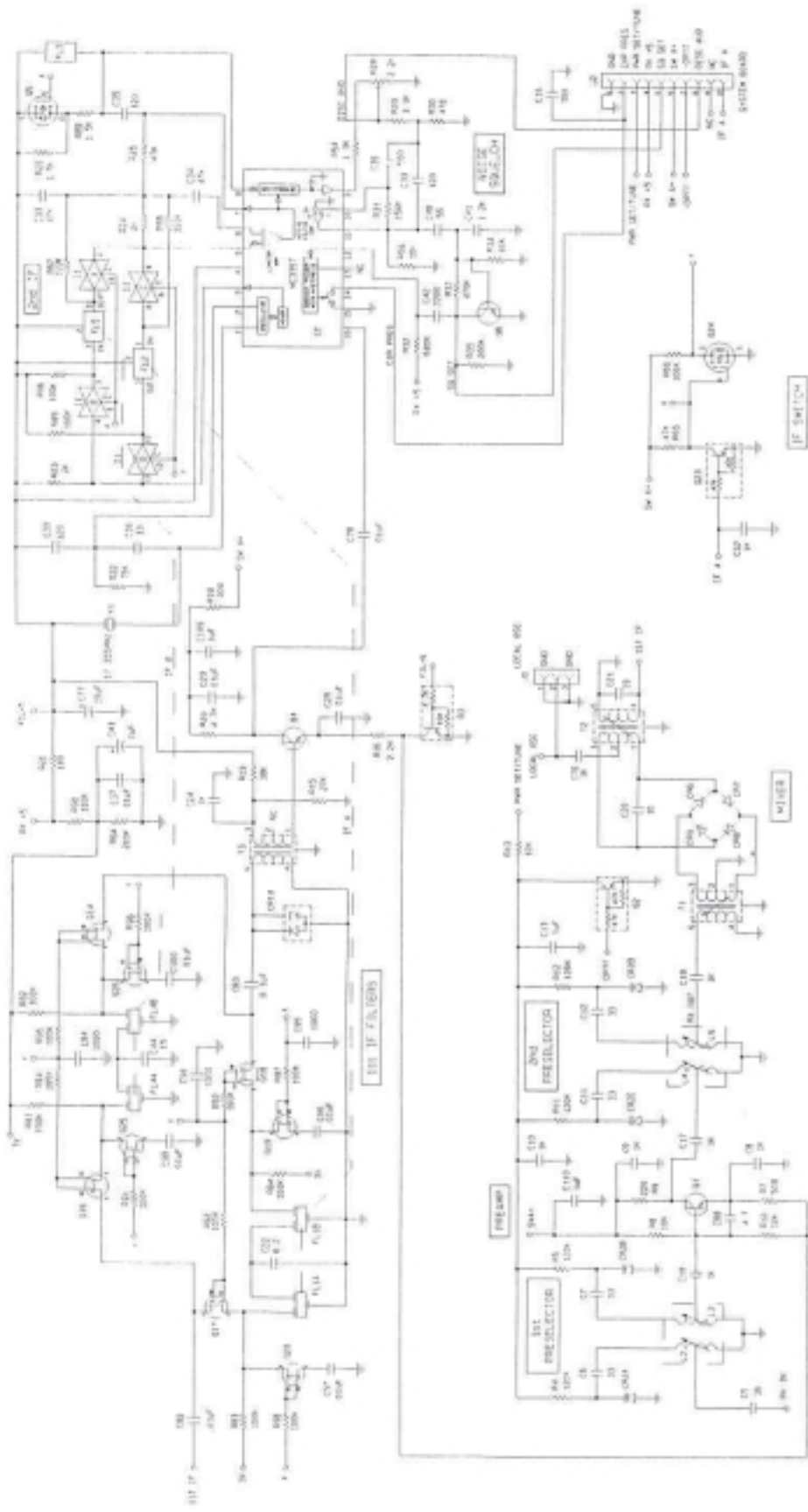


FCC ID: K95GPH51

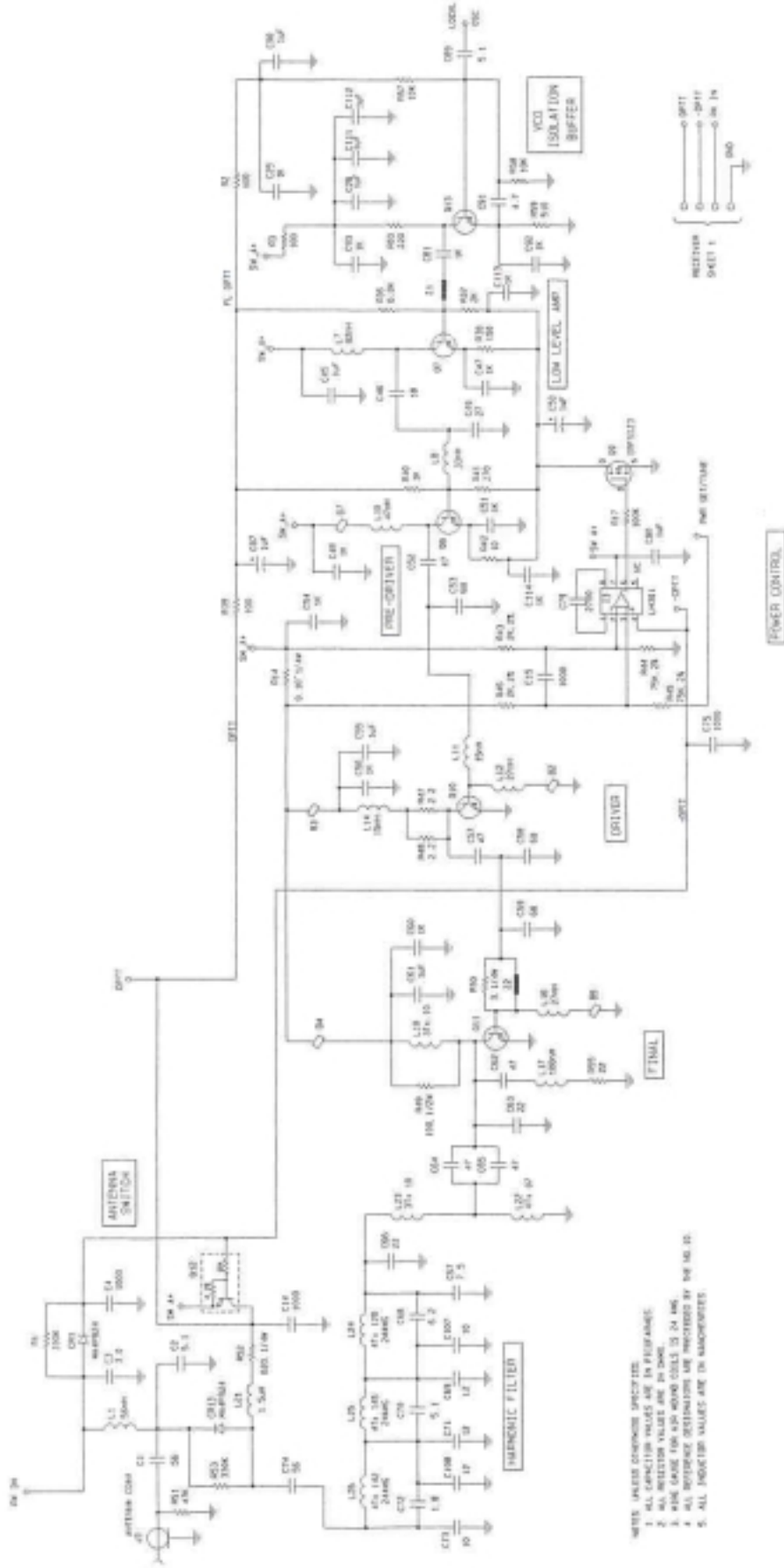


NOTES: UNLESS OTHERWISE SPECIFIED:
 1. ALL DIMENSIONS ARE IN INCHES
 2. ALL DIMENSIONS ARE TO CENTER
 3. ALL DIMENSIONS ARE TO CENTER UNLESS OTHERWISE SPECIFIED
 4. ALL DIMENSIONS ARE TO CENTER UNLESS OTHERWISE SPECIFIED
 5. ALL DIMENSIONS ARE TO CENTER UNLESS OTHERWISE SPECIFIED

RESISTOR VALUE	CODE
100K	100K
10K	10K
1K	1K
100	100
10	10
1	1
0.1	0.1
0.01	0.01
0.001	0.001



FCC ID: K96GPH51



- NOTES: UNLESS OTHERWISE SPECIFIED:
1. ALL CAPACITOR VALUES ARE IN PICOFARADS.
 2. ALL RESISTOR VALUES ARE IN OHMS.
 3. WIRE GAUGE FOR 450 OHM COILS IS 24 AWG.
 4. ALL REFERENCE DESIGNATORS ARE PROVIDED BY THE MFG. CO.
 5. ALL INDUCTOR VALUES ARE IN MILLIHENRIES.

UCOM BOARD

200-08248-0000
200-08248-0010EARLY UCOM BOARD
LATER UCOM BOARD

SYMBOL	CLD PART NO.	NEW PART NO.	DESCRIPTION	A	UM	0000	0010
C	1	106-00072-0040	1553-5313-531	CAP CH100PFNPO/50V	EA	.	1.00
C	1	106-04101-0016	1553-5237-719	CH 100PF NPO/50V	EA	1.00	.
C	2	106-00072-0040	1553-5313-531	CAP CH100PFNPO/50V	EA	.	1.00
C	2	106-04101-0016	1553-5237-719	CH 100PF NPO/50V	EA	1.00	.
C	3	106-04150-0026		CH 15PF NPO/100V	EA	1.00	.
C	3	106-05150-0026	1553-5313-598	CAP CH15PFNPO/100V	EA	.	1.00
C	4	106-04150-0026		CH 15PF NPO/100V	EA	1.00	.
C	4	106-05150-0026	1553-5313-598	CAP CH15PFNPO/100V	EA	.	1.00
C	5	106-04150-0026		CH 15PF NPO/100V	EA	1.00	.
C	5	106-05150-0026	1553-5313-598	CAP CH15PFNPO/100V	EA	.	1.00
C	5	106-04150-0026		CH 15PF NPO/100V	EA	1.00	.
C	6	106-05150-0026	1553-5313-598	CAP CH15PFNPO/100V	EA	.	1.00
C	8	106-04560-0016	1553-5525-321	CAP CH 56PFNPO/50V	EA	1.00	.
C	8	106-05560-0016	1553-5237-767	CAP CH 56PFNPO/50V	EA	.	1.00
C	9	106-00072-0040	1553-5313-531	CAP CH100PFNPO/50V	EA	.	1.00
C	9	106-04101-0016	1553-5237-719	CH 100PF NPO/50V	EA	1.00	.
C	10	106-04472-0067	1553-5525-307	CAPCH4700PFX74/100	EA	1.00	.
C	10	106-05472-0046	1553-5237-785	CAP CH 4.7KX7R/50V	EA	.	1.00
C	11	106-04154-0078	1553-5525-306	CAP CH 150KZ5U/50V	EA	1.00	.
C	11	106-05154-0078	1553-5525-599	CAP CER 150K25U/50	EA	.	1.00
C	12	106-04104-0047	1553-5237-780	CH 100KX7R/50V	EA	1.00	.
C	12	106-05104-0037	1553-5313-597	CAP CH 100KX7R/25V	EA	.	1.00
C	13	106-04272-0046	1553-5313-574	CAP CH 2.7KX7R/50V	EA	1.00	.
C	13	106-05272-0047	1553-5525-302	CAPCH2700PFX7R/50V	EA	.	1.00
C	14	106-04104-0047	1553-5237-780	CH 100KX7R/50V	EA	1.00	.
C	14	106-05104-0037	1553-5313-597	CAP CH 100KX7R/25V	EA	.	1.00
C	15	096-01186-0026	1552-6463-116	CAP .22UF 35V 10%	EA	1.00	1.00
C	16	106-04103-0047	1553-5237-705	CH 10K X7R/50V	EA	1.00	.
C	16	106-05103-0047	1553-5237-734	CAP CH 10K X7R/50V	EA	.	1.00
C	17	106-00072-0040	1553-5313-531	CAP CH100PFNPO/50V	EA	.	1.00
C	17	106-04101-0016	1553-5237-719	CH 100PF NPO/50V	EA	1.00	.
C	19	106-04682-0057	1553-5525-309	CAPCH6800PFX7R/100	EA	1.00	.
C	19	106-05682-0046	1553-5237-797	CAP CH 6.8KX7R/50V	EA	.	1.00
C	21	106-04150-0026		CH 15PF NPO/100V	EA	1.00	.
C	21	106-05150-0026	1553-5313-598	CAP CH15PFNPO/100V	EA	.	1.00
C	22	106-04272-0046	1553-5313-574	CAP CH 2.7KX7R/50V	EA	1.00	.
C	22	106-05272-0047	1553-5525-302	CAPCH2700PFX7R/50V	EA	.	1.00
C	25	096-01186-0074	1552-6463-138	CAP .1UF 35V 20%	EA	1.00	1.00
C	30	106-00072-0040	1553-5313-531	CAP CH100PFNPO/50V	EA	.	1.00
C	30	106-04101-0016	1553-5237-719	CH 100PF NPO/50V	EA	1.00	.
C	31	096-01186-0067	1552-6463-131	CAP 2.2UF 20V 20%	EA	1.00	1.00
C	32	106-04102-0016	1553-5237-703	CAP CH 1K NPO/50V	EA	1.00	.
C	32	106-05102-0047	1553-5237-733	CAP CH 1K X7R/50V	EA	.	1.00
C	33	096-01186-0062	1552-6463-121	CAP 1.0UF 16V 20%	EA	1.00	1.00
C	35	106-04333-0046	1553-5237-791	CAP CH 33K X7R/50V	EA	1.00	.
C	35	106-05333-0036	1553-5313-526	CAP CH 33K X7R/25V	EA	.	1.00
C	36	106-04222-0046	1553-5313-573	CAP CH 2.2K 50V 5%	EA	1.00	.
C	36	106-05222-0046	1553-5525-301	CAP CH 2.2KX7R/50V	EA	.	1.00
C	37	106-04563-0046	1553-5313-542	CAP CH 56K X7R/50V	EA	1.00	.
C	37	106-05563-0036	1553-5525-303	CAP CH 56K X7R/25V	EA	.	1.00
C	38	106-04101-0016	1553-5237-719	CH 100PF NPO/50V	EA	1.00	.
C	39	106-00072-0040	1553-5313-531	CAP CH100PFNPO/50V	EA	.	1.00
C	39	106-04101-0016	1553-5237-719	CH 100PF NPO/50V	EA	1.00	.
C	40	106-00072-0040	1553-5313-531	CAP CH100PFNPO/50V	EA	.	1.00
C	40	106-04101-0016	1553-5237-719	CH 100PF NPO/50V	EA	1.00	.
C	120	106-04272-0046	1553-5313-574	CAP CH 2.7KX7R/50V	EA	1.00	.
C	120	106-05272-0047	1553-5525-302	CAPCH2700PFX7R/50V	EA	.	1.00
C	121	106-04103-0047	1553-5237-705	CH 10K X7R/50V	EA	1.00	.
C	121	106-05103-0046	1553-5237-794	CAP CH 10K X7R/50V	EA	.	1.00
C	122	106-00072-0040	1553-5313-531	CAP CH100PFNPO/50V	EA	.	1.00
C	122	106-04101-0016	1553-5237-719	CH 100PF NPO/50V	EA	1.00	.
C	123	096-01186-0062	1552-6463-121	CAP 1.0UF 16V 20%	EA	1.00	1.00
C	124	106-04273-0046	1553-5313-540	CAP CH 27K X7R/50V	EA	1.00	.
C	124	106-05273-0037	1553-5525-304	CAP CH 27K X7R/25V	EA	.	1.00
C	125	106-04154-0078	1553-5525-306	CAP CH 150KZ5U/50V	EA	1.00	.
C	125	106-05154-0078	1553-5313-599	CAP CER 150K25U/50	EA	.	1.00
C	126	106-04821-0016	1553-5313-544	CAP CH50PFNPO/50V	EA	1.00	.
C	126	106-05102-0046	1553-5237-787	CAP CH 1K X7R/50V	EA	.	1.00
C	127	106-04102-0016	1553-5237-703	CAP CH 1K NPO/50V	EA	1.00	.
C	127	106-05102-0046	1553-5237-787	CAP CH 1K X7R/50V	EA	.	1.00
C	128	106-04560-0026		CAP CH56PFNPO/100V	EA	1.00	.
C	128	106-05560-0016	1553-5237-767	CAP CH 56PFNPO/50V	EA	.	1.00

UCOM BOARD

200-08248-0000
PAGE 2

SYMBOL	CLD PART NO.	NEW PART NO.	DESCRIPTION	A	UM	0200	0010
C	129	106-04104-0047	1553-5237-750	CH 100KX7R/50V	EA	1.00	.
C	129	106-06104-0037	1553-5313-597	CAP CH 100KX7R/25V	EA	.	1.00
C	130	106-04683-0048	1553-5237-792	CAP CH 68KX7R 50V	EA	1.00	.
C	130	106-05104-0037	1553-5313-597	CAP CH 100KX7R/25V	EA	.	1.00
C	131	106-04590-0025		CAP CH66PFNPO/100V	EA	1.00	.
C	131	106-05590-0016	1553-5237-757	CAP CH 56PFNPO/50V	EA	.	1.00
C	132	106-04104-0047	1553-5237-750	CH 100KX7R/50V	EA	1.00	.
C	132	106-05104-0037	1553-5313-597	CAP CH 100KX7R/25V	EA	.	1.00
C	133	106-05221-0048	1553-5313-529	CAP CH 220X7R/50V	EA	.	1.00
C	133	111-00001-0094	1501-2062-900	CAP CR 220PF 50V	EA	1.00	.
C	135	106-00072-0040	1553-5313-531	CAP CH100PFNPO/50V	EA	.	1.00
C	136	106-00072-0040	1553-5313-531	CAP CH100PFNPO/50V	EA	.	1.00
C	138	106-00072-0083	1553-5237-754	CAP CH100PFNPO/50V	EA	.	1.00
C	139	106-00072-0040	1553-5313-531	CAP CH100PFNPO/50V	EA	.	1.00
C	145	096-01185-0059	1552-6463-137	CAP 4.7UF 10V 20%	EA	.	1.00
C	146	106-00072-0040	1553-5313-531	CAP CH100PFNPO/50V	EA	.	1.00
C	147	106-00072-0040	1553-5313-531	CAP CH100PFNPO/50V	EA	.	1.00
C	148	106-05104-0037	1553-5313-597	CAP CH 100KX7R/25V	EA	.	1.00
C	149	106-05104-0037	1553-5313-597	CAP CH 100KX7R/25V	EA	.	1.00
C	150	096-01185-0059	1552-6463-137	CAP 4.7UF 10V 20%	EA	.	1.00
C	152	096-01185-0052	1552-6463-121	CAP 1.0UF 16V 20%	EA	.	1.00
C	153	096-01185-0059	1552-6463-137	CAP 4.7UF 10V 20%	EA	.	1.00
C	155	106-00072-0040	1553-5313-531	CAP CH100PFNPO/50V	EA	.	1.00
C	156	106-00072-0040	1553-5313-531	CAP CH100PFNPO/50V	EA	.	1.00
C	157	106-00072-0040	1553-5313-531	CAP CH100PFNPO/50V	EA	.	1.00
C	158	106-00072-0040	1553-5313-531	CAP CH100PFNPO/50V	EA	.	1.00
C	159	106-00072-0040	1553-5313-531	CAP CH100PFNPO/50V	EA	.	1.00
C	160	106-00072-0040	1553-5313-531	CAP CH100PFNPO/50V	EA	.	1.00
C	161	106-00072-0040	1553-5313-531	CAP CH100PFNPO/50V	EA	.	1.00
CJ	1	130-05000-0015	4724-0000-009	RES CH 0 TW	EA	1.00	.
CR	1	007-05181-0000	4824-2009-500	DIO DUAL MMBD2636	EA	1.00	1.00
CR	3	007-05117-0007	4828-2009-200	DIO Z 6.2V SOT	EA	1.00	1.00
I	1	122-05011-0001	7019-2052-600	6805P9 OPT PRGMD	A	EA	1.00 1.00
I	2	120-02160-0000	3134-2055-100	256 X 8 EPROM	EA	1.00	1.00
I	3	123-00574-0003	3134-2052-700	IC MOS 74HC574	EA	1.00	1.00
I	4	122-05014-0001	7019-2051-900	DSP OTP UCOM REV1	A	EA	1.00 1.00
I	5	120-05259-0000	3134-2052-100	QUAL ANALOG SWITCH	EA	1.00	1.00
I	6	120-03428-0000	3134-2040-200	LMC555CM	EA	1.00	1.00
I	8	120-03127-0011	3134-2052-000	IC LM2903 90 PKG	EA	1.00	1.00
I	11	120-03198-0000	3134-3670-504	IC LM2902D	EA	1.00	1.00
I	12	123-00574-0003	3134-2052-700	IC MOS 74HC574	EA	1.00	1.00
I	15	120-03274-0000	3134-3670-403	VOLT REG LM2951ACM	EA	.	1.00
ITM	1	009-08248-0000	1700-6706-200	PC UCOM BD	EA	1.00	.
ITM	1	009-08248-0010	1700-6706-210	PCBD UCOM	EA	.	1.00
ITM	2	047-09999-0000	2508-2030-400	SHLD UCOM OPTION	EA	1.00	1.00
ITM	3	150-00003-0010	3101-0000-013	TUBING TFLN 24AWG	IN	0.50	.
ITM	4	016-01184-0000	1609-0000-004	ADHESIVE	AP	1.00	.
ITM	6	012-01440-0000	2512-2035-900	SPACER RESILANT	EA	1.00	1.00
ITM	7	012-01005-0002	1601-2007-101	TAPE MYLAR .500 W	IN	0.50	1.00
J	9	030-01249-0004	2108-2002-501	SCKT MIN SPRING	EA	8.00	8.00
J	10	030-02905-0007	2105-4012-107	FLEX 7 POS	EA	1.00	1.00
P	7	030-02453-0006	2105-2001-906	CONNECTOR 12P	EA	1.00	1.00
P	8	030-02453-0006	2105-2001-906	CONNECTOR 12P	EA	1.00	1.00
Q	1	007-08064-0000	4823-2010-800	XSTR PNP 10K, 10K	EA	1.00	1.00
Q	2	007-08064-0014	4823-2010-814	XSTR PNP 4.7K, 10K	EA	.	1.00
Q	2	007-08064-0016	4823-3660-005	XSTR PNP 47K, 47K	EA	1.00	.
Q	3	007-00265-0001	4823-3669-001	XSTR 2N3906 (SOT)	EA	1.00	1.00
Q	4	007-00535-0000	4823-2020-201	XSTR JFET MMBF4393	EA	1.00	1.00
Q	8	007-00530-0001	4823-3669-101	XSTR NPN MMBT3904	EA	1.00	1.00
Q	9	007-08064-0017	4823-2010-817	XSTR NPN 47K, 47K	EA	1.00	1.00
Q	10	007-00530-0001	4823-3669-101	XSTR NPN MMBT3904	EA	1.00	1.00
R	2	130-05103-0013	4724-0103-233	RES CH 10K TW 5%	EA	.	1.00
R	2	130-05103-0023	4718-5237-310	RES CH 10K EW 5%	EA	1.00	.
R	3	130-05152-0013	4724-0152-233	RES CH 1.5K TW 5%	EA	.	1.00
R	3	139-01502-0000	4718-5313-166	RES CHIP 15K EW 1%	EA	1.00	.
R	4	130-05334-0013	4724-0334-233	RES CH 330K TW 5%	EA	.	1.00
R	4	139-03323-0000	4718-5317-189	RES CH 332K EW 1%	EA	1.00	.

UCOM BOARD

200-08248-0000
PAGE 3

SYMBOL	OLD PART NO.	NEW PART NO.	DESCRIPTION	A	UM	0000	0010
R	5	130-05222-0013	4724-0222-233	RES CH 2.2K TW 5%	EA	.	1.00
R	5	130-05222-0023	4718-5237-331	RES CHIP 2.2KEW5%	EA	1.00	.
R	6	130-05222-0013	4724-0222-233	RES CH 2.2K TW 5%	EA	.	1.00
R	6	139-02211-0000		RES CH 2.21K EW 1%	EA	1.00	.
R	8	130-05472-0013	4724-0472-233	RES CH 4.7K TW 5%	EA	.	1.00
R	8	130-05472-0023	4718-5237-303	RES CHIP 4.7KEW5%	EA	1.00	.
R	9	130-05105-0013	4724-0105-233	RES CH 1 MEG TW 5%	EA	.	1.00
R	9	130-05105-0023	4718-5237-367	RES CHIP 1M EW 5%	EA	1.00	.
R	10	130-05103-0013	4724-0103-233	RES CH 10K TW 5%	EA	.	1.00
R	10	130-05103-0023	4718-5237-310	RES CH 10K EW 5%	EA	1.00	.
R	11	130-05104-0013	4724-0104-233	RES CH 100K TW 5%	EA	.	1.00
R	11	139-01063-0000		RES CHIP 105K EW 1	EA	1.00	.
R	12	130-05104-0013	4724-0104-233	RES CH 100K TW 5%	EA	.	1.00
R	12	139-01003-0000	4718-5317-138	RES CHIP 100KEW1%	EA	1.00	.
R	14	130-05473-0023	4718-5237-324	RES CHIP 47KEW5%	EA	.	1.00
R	14	139-04752-0000	4718-5317-122	RES CH 47.5K EW 1%	EA	1.00	.
R	16	130-05335-0013		RES CH 3.3M TW 5%	EA	.	1.00
R	16	130-05335-0023	4718-5398-905	RES CH 3.3M EW 5%	EA	1.00	.
R	17	139-03922-0000	4718-5317-192	RES CH 39.2K EW 1%	EA	1.00	.
R	17	139-03922-0010	4724-3922-113	RES CH 39.2K TW 1%	EA	.	1.00
R	18	130-05392-0013	4724-0392-233	RES CH 3.9K TW 5%	EA	.	1.00
R	18	130-05392-0023	4718-5237-371	RES CHIP 3.9KEW5%	EA	1.00	.
R	19	130-05432-0013	4724-0432-233	RES CH 4.3K TW 5%	EA	.	1.00
R	19	130-05432-0023	4718-5237-354	RES CHIP 4.3KEW5%	EA	1.00	.
R	20	139-05112-0000	4718-5317-198	RES CHIP 51.1K 1%	EA	1.00	.
R	20	139-05112-0010	4724-5112-113	RES CH 51.1K TW 1%	EA	.	1.00
R	21	139-03922-0000	4718-5317-192	RES CH 39.2K EW 1%	EA	1.00	.
R	21	139-03922-0010	4724-3922-113	RES CH 39.2K TW 1%	EA	.	1.00
R	22	133-00272-0006	4719-2046-006	RES VAR	EA	1.00	1.00
R	25	130-05103-0013	4724-0103-233	RES CH 10K TW 5%	EA	.	1.00
R	25	130-05103-0023	4718-5237-310	RES CH 10K EW 5%	EA	1.00	.
R	28	130-05103-0013	4724-0103-233	RES CH 10K TW 5%	EA	.	1.00
R	28	130-05103-0023	4718-5237-310	RES CH 10K EW 5%	EA	1.00	.
R	40	130-05102-0013	4724-0102-233	RES CH 1K TW 5%	EA	.	1.00
R	40	131-00102-0013	4704-2062-200	RES CF 1K EW 5%	EA	1.00	.
R	43	130-05102-0013	4724-0102-233	RES CH 1K TW 5%	EA	.	1.00
R	43	130-05102-0023	4718-5237-301	RES CH 1K EW 5%	EA	1.00	.
R	44	130-05102-0013	4724-0102-233	RES CH 1K TW 5%	EA	.	1.00
R	44	130-05102-0023	4718-5237-301	RES CH 1K EW 5%	EA	1.00	.
R	45	139-08252-0000	4718-5317-164	RES CH 82.5K EW 1%	EA	1.00	.
R	45	139-08252-0010	4724-8252-113	RES CH 82.5K TW 1%	EA	.	1.00
R	46	139-01003-0000	4718-5317-138	RES CHIP 100KEW1%	EA	1.00	.
R	46	139-01003-0010	4724-1003-113	RES CH 100K EW 1%	EA	.	1.00
R	47	139-05092-0000	4718-5317-165	RES CHIP 90.9KEW1%	EA	1.00	.
R	47	139-05092-0010	4724-9092-113	RES CH 90.9K TW 1%	EA	.	1.00
R	52	130-05102-0013	4724-0102-233	RES CH 1K TW 5%	EA	.	1.00
R	52	130-05102-0023	4718-5237-301	RES CH 1K EW 5%	EA	1.00	.
R	103	130-05273-0013	4724-0273-233	RES CH 27K TW 5%	EA	.	1.00
R	103	139-02672-0000	4718-5398-940	RES CHIP 26.7KEW1%	EA	1.00	.
R	112	130-05103-0013	4724-0103-233	RES CH 10K TW 5%	EA	.	1.00
R	112	130-05103-0023	4718-5237-310	RES CH 10K EW 5%	EA	1.00	.
R	113	130-05624-0013	4724-0624-233	RES CH 620K TW 5%	EA	.	1.00
R	113	139-06193-0000		RES CH 619KEW 1%	EA	1.00	.
R	127	139-02742-0000		RES CHIP 27.4KEW1%	EA	1.00	.
R	127	139-02742-0010	4724-2742-113	RES CH 27.4K TW 1%	EA	.	1.00
R	128	139-05112-0000	4718-5317-198	RES CHIP 51.1K 1%	EA	1.00	.
R	128	139-05112-0010	4724-5112-113	RES CH 51.1K TW 1%	EA	.	1.00
R	129	139-03922-0000	4718-5317-192	RES CH 39.2K EW 1%	EA	1.00	.
R	129	139-03922-0010	4724-3922-113	RES CH 39.2K TW 1%	EA	.	1.00
R	139	139-06812-0000		RES 68.1K EW 1%	EA	1.00	.
R	139	139-06812-0010	4724-6812-113	RES CH 68.1K TW 1%	EA	.	1.00
R	140	130-05682-0013	4724-0682-233	RES CH 6.8K TW 5%	EA	.	1.00
R	140	130-05682-0023	4718-5237-381	RES CHIP 6.8KEW5%	EA	1.00	.
R	141	130-05272-0013	4724-0272-233	RES CH 2.7K TW 5%	EA	.	1.00
R	141	130-05272-0023	4718-5237-386	RES CHIP 2.7KEW5%	EA	1.00	.
R	142	130-05102-0013	4724-0102-233	RES CH 1K TW 5%	EA	.	1.00
R	142	130-05102-0023	4718-5237-301	RES CH 1K EW 5%	EA	1.00	.
R	143	130-05912-0013	4724-0912-233	RES CH 9.1K TW 5%	EA	.	1.00
R	143	130-05912-0023	4718-5317-105	RES CHIP 9.1K5%EW	EA	1.00	.
R	144	130-05104-0013	4724-0104-233	RES CH 100K TW 5%	EA	.	1.00
R	144	130-05104-0023	4718-5237-322	RES CH 100K EW 5%	EA	1.00	.
R	145	130-05103-0013	4724-0103-233	RES CH 10K TW 5%	EA	.	1.00
R	145	130-05103-0023	4718-5237-310	RES CH 10K EW 5%	EA	1.00	.

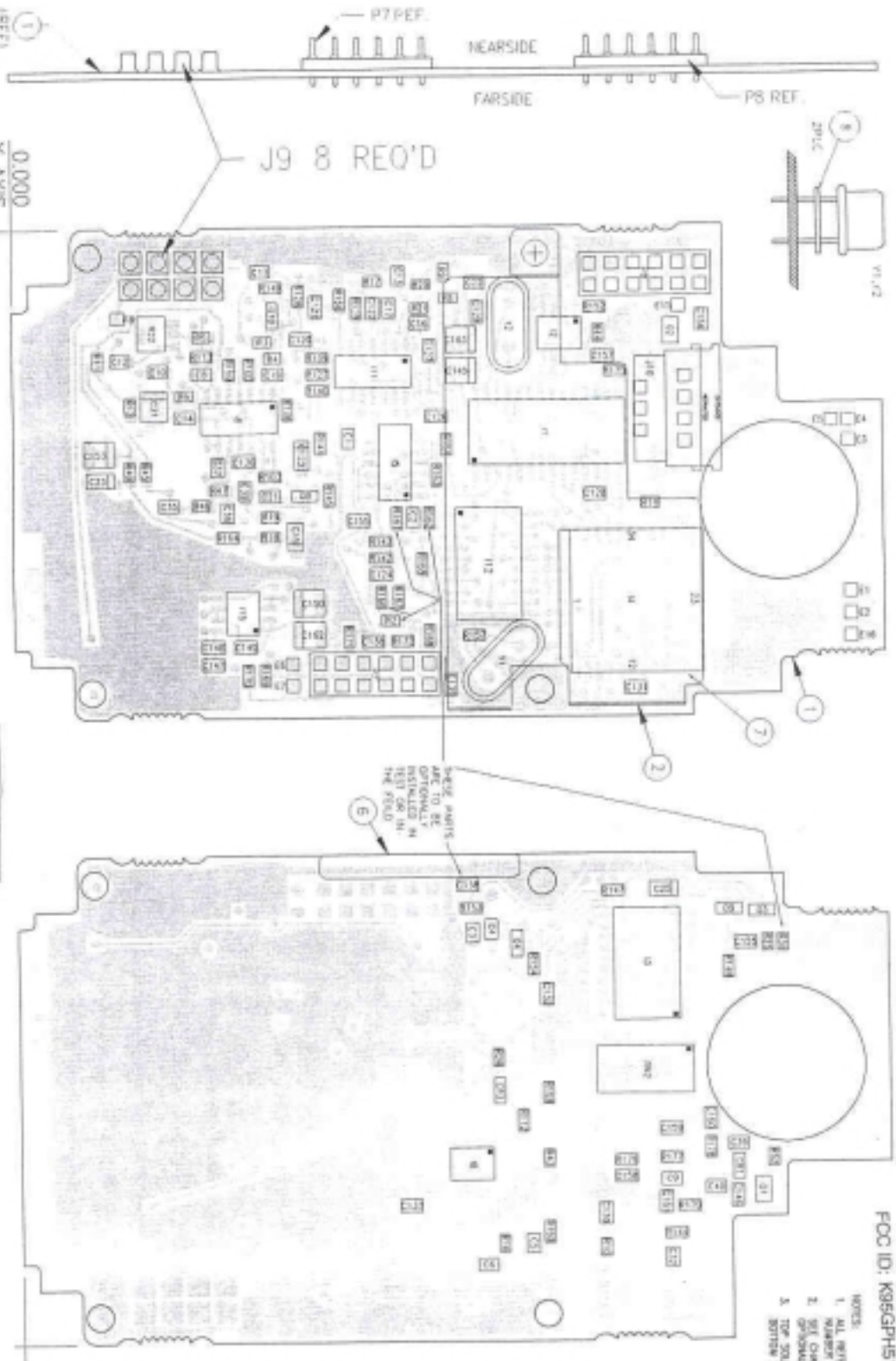
UCOM BOARD

200-08248-0000
PAGE 4

SYMBOL	OLD PART NO.	NEW PART NO.	DESCRIPTION	A	UM	0000	0010
R	146	130-05471-0013	4724-0471-233	RES CH 470 TW 5%	EA	.	1.00
R	146	130-05471-0023	4718-5237-318	RES CHIP 470EW5%	EA	1.00	.
R	147	130-05104-0013	4724-0104-233	RES CH 100K TW 5%	EA	.	1.00
R	147	130-05104-0023	4718-5237-322	RES CH 100K EW 5%	EA	1.00	.
R	148	130-05104-0013	4724-0104-233	RES CH 100K TW 5%	EA	.	1.00
R	148	130-05104-0023	4718-5237-322	RES CH 100K EW 5%	EA	1.00	.
R	149	130-05273-0013	4724-0273-233	RES CH 27K TW 5%	EA	.	1.00
R	149	139-02672-0000	4718-5396-940	RES CHIP 26.7KEW1%	EA	1.00	.
R	150	130-05303-0013	4724-0303-233	RES CH 30K TW 5%	EA	.	1.00
R	150	130-05303-0023	4718-5237-338	RES CHIP 30KEW5%	EA	1.00	.
R	151	130-05104-0013	4724-0104-233	RES CH 100K TW 5%	EA	.	1.00
R	151	130-05104-0023	4718-5237-322	RES CH 100K EW 5%	EA	1.00	.
R	152	130-05102-0013	4724-0102-233	RES CH 1K TW 5%	EA	.	1.00
R	152	139-01001-0000	4718-5237-315	RES CHIP 1K EW 1%	EA	1.00	.
R	153	130-05242-0013	4724-0242-233	RES CH 2.4K TW 5%	EA	.	1.00
R	153	130-05242-0023	4718-5237-372	RES CHIP 2.4KEW5%	EA	1.00	.
R	154	130-05104-0013	4724-0104-233	RES CH 100K TW 5%	EA	.	1.00
R	154	130-05104-0023	4718-5237-322	RES CH 100K EW 5%	EA	1.00	.
R	155	130-05512-0013	4724-0512-233	RES CH 5.1K TW 5%	EA	.	1.00
R	155	130-05512-0023	4718-5237-355	RES CHIP 5.1KEW5%	EA	1.00	.
R	157	130-05105-0013	4724-0105-233	RES CH 1 MEG TW 5%	EA	.	1.00
R	157	130-05105-0023	4718-5237-367	RES CHIP 1M EW 5%	EA	1.00	.
R	158	130-05101-0013	4724-0101-233	RES CH 100 TW 5%	EA	.	1.00
R	159	130-05473-0013	4724-0473-233	RES CH 47K TW 5%	EA	.	1.00
R	160	130-05473-0013	4724-0473-233	RES CH 47K TW 5%	EA	.	1.00
R	163	130-05000-0015	4724-0000-009	RES CH 0 TW	EA	.	1.00
R	164	130-05000-0015	4724-0000-009	RES CH 0 TW	EA	.	1.00
R	165	130-05000-0015	4724-0000-009	RES CH 0 TW	EA	.	1.00
R	166	130-05000-0015	4724-0000-009	RES CH 0 TW	EA	.	1.00
R	167	130-05000-0015	4724-0000-009	RES CH 0 TW	EA	.	1.00
R	168	130-05102-0013	4724-0102-233	RES CH 1K TW 5%	EA	.	1.00
R	169	130-05102-0013	4724-0102-233	RES CH 1K TW 5%	EA	.	1.00
R	170	130-05102-0013	4724-0102-233	RES CH 1K TW 5%	EA	.	1.00
R	171	130-05102-0013	4724-0102-233	RES CH 1K TW 5%	EA	.	1.00
R	172	130-05102-0013	4724-0102-233	RES CH 1K TW 5%	EA	.	1.00
R	175	130-05100-0013	4724-0100-233	RES CH 10 TW 5%	EA	.	1.00
R	176	130-05100-0013	4724-0100-233	RES CH 10 TW 5%	EA	.	1.00
R	177	130-05100-0013	4724-0100-233	RES CH 10 TW 5%	EA	.	1.00
R	178	130-05100-0013	4724-0100-233	RES CH 10 TW 5%	EA	.	1.00
R	179	130-05100-0013	4724-0100-233	RES CH 10 TW 5%	EA	.	1.00
REF	1	002-08248-0000	0007-6708-200	SCH UCCM BD	RF	X.	.
REF	2	300-08248-0000	0008-6706-200	UCCM BD ASSY	RF	X.	.
REF	3	002-08248-0010	0007-6708-210	SCH UCCM BD	RF	.	X.
REF	4	300-08248-0010	0008-6706-210	ASY UCCM BD	RF	.	X.
RN	2	015-00208-0006	4726-2041-606	R/2R NETWORK	EA	1.00	1.00
Y	1	044-00155-0000	2342-2062-400	XTAL 18.000000MHZ	EA	1.00	1.00
Y	2	044-00302-0000	2342-2062-300	XTAL 4.194304MHZ	EA	1.00	1.00

FCC ID: K95GPH51

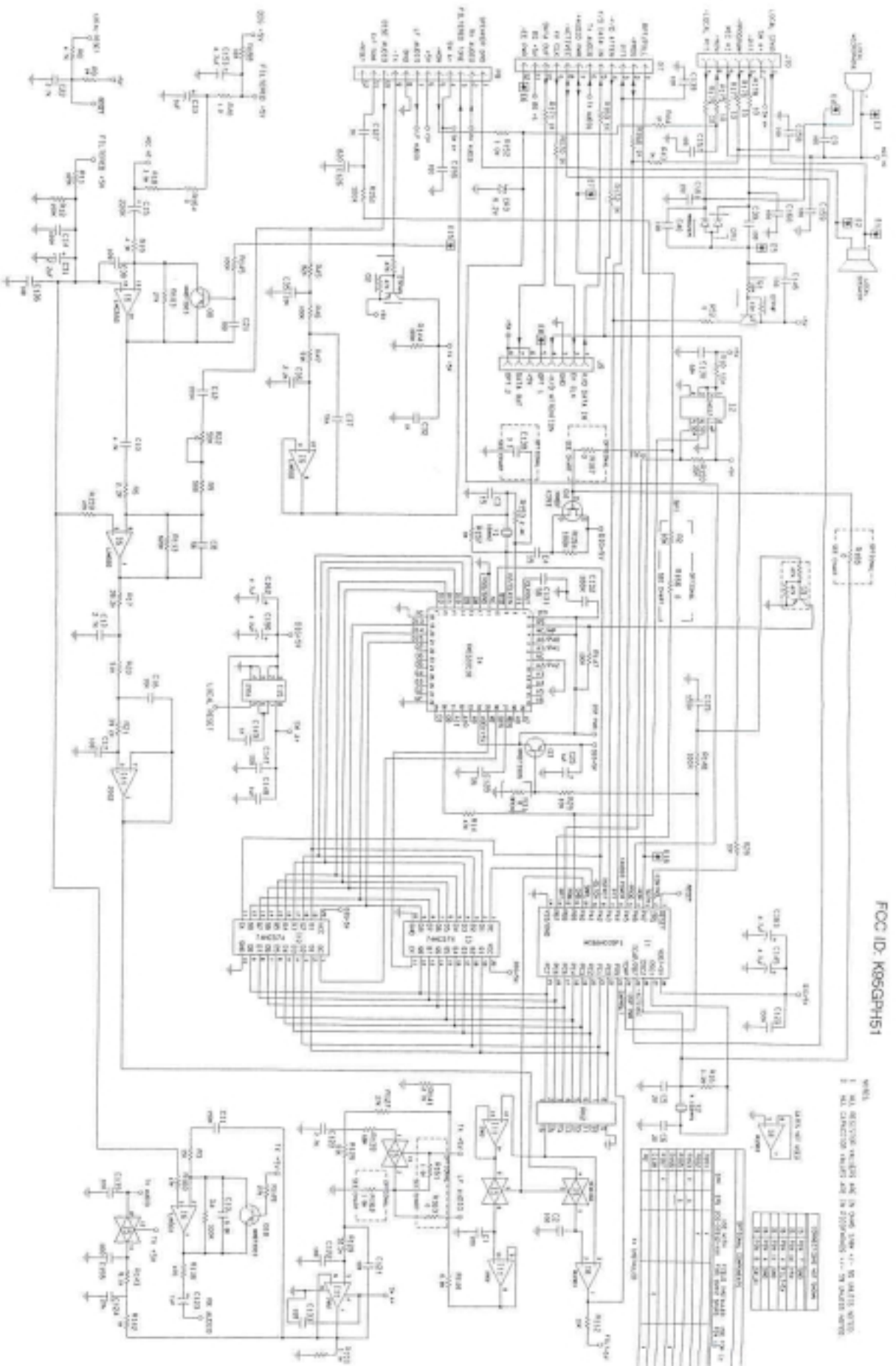
- NOTES:
1. RETURNING DISCOUNTS ARE PROCESSED BY THE NUMBER IN THE EXAMPLE CALL SHEET.
 2. SEE CHART BELOW FOR DISTRIBUTION OF ALL ORIGINAL COMPONENTS.
 3. TOP SOLDSHAWT FILM 0009-8709-217, REV A
 4. BOTTOM SOLDSHAWT FILM 0009-8709-216, REV A



EDGE VIEW
COMPONENTS
NOT SHOWN
EXCEPT AS NOTED

ORIGINAL COMPONENTS	
EPH DTV	X
EPH	X
REV	X

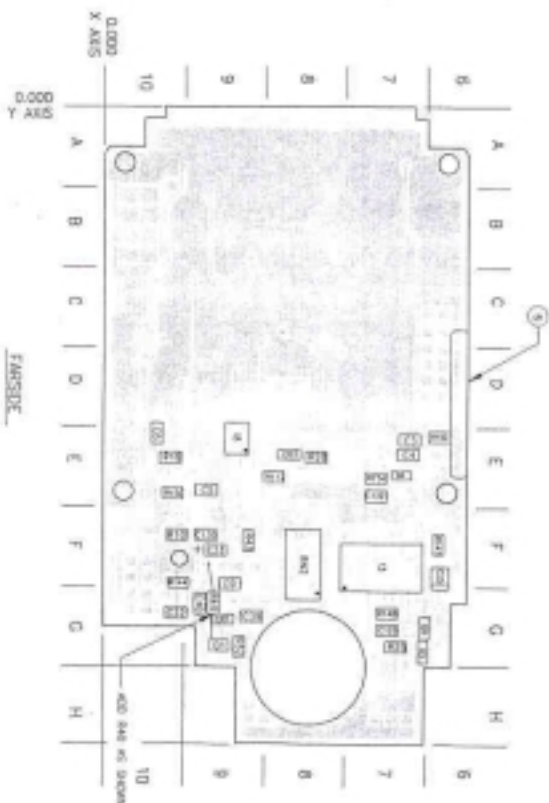
FCC ID: K05GPH151



NOTE:
 1. ALL RESISTOR VALUES ARE IN OHMS, UNLESS OTHERWISE NOTED.
 2. ALL CAPACITOR VALUES ARE IN PICO FARADS, UNLESS OTHERWISE NOTED.

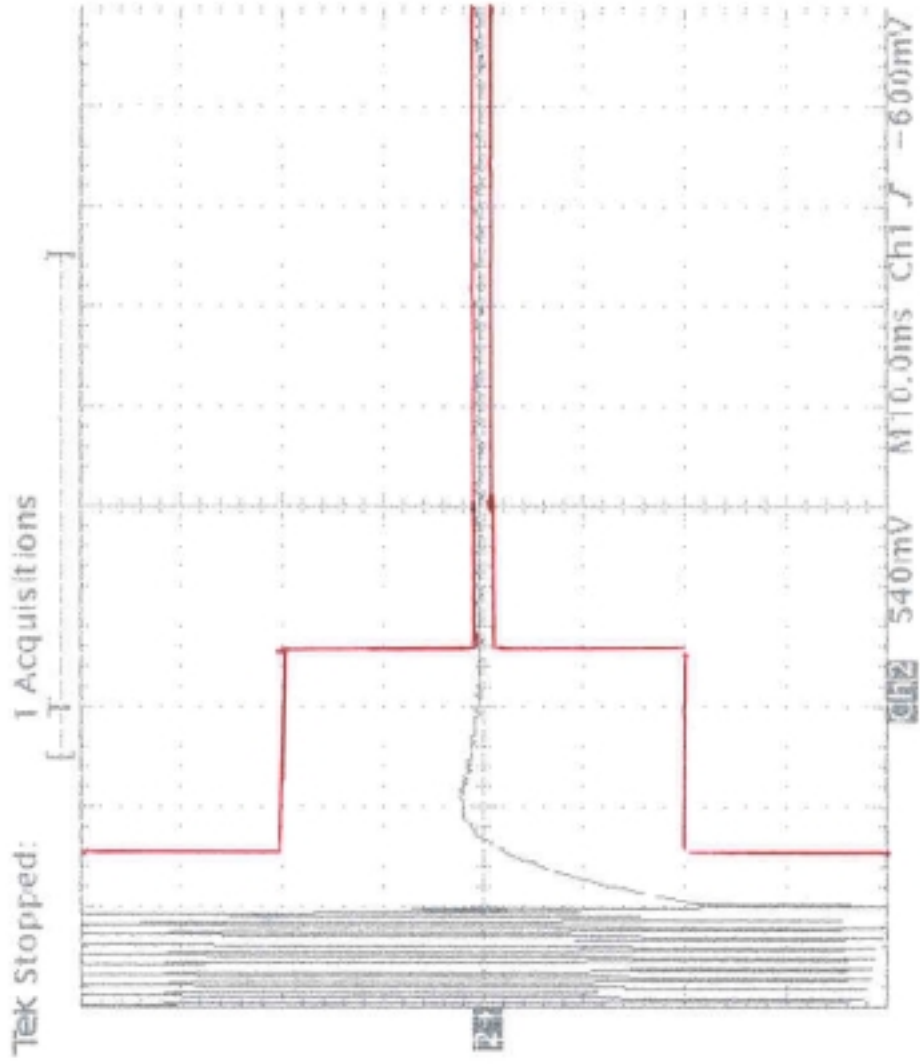
RESISTOR TOLERANCES	
1. 1% - 1% - 1%	1% - 1% - 1%
2. 1% - 1% - 1%	1% - 1% - 1%
3. 1% - 1% - 1%	1% - 1% - 1%
4. 1% - 1% - 1%	1% - 1% - 1%
5. 1% - 1% - 1%	1% - 1% - 1%

FCC ID: K95GPHS1



- NOTES
1. ALL REFERENCE DESIGNATORS ARE PRECEDED BY THE NUMBER 90, FOR EXAMPLE C14 IS 90C14.
- △ CONNECT C133 BETWEEN PINS 4 AND 11 OF U11.
 ○ INSULATE BOTH LEADS WITH ①.
 □ LOCATE C133 ON TOP OF C127 AND SECURE WITH ITEM ②.

FCC ID: K95GPH21

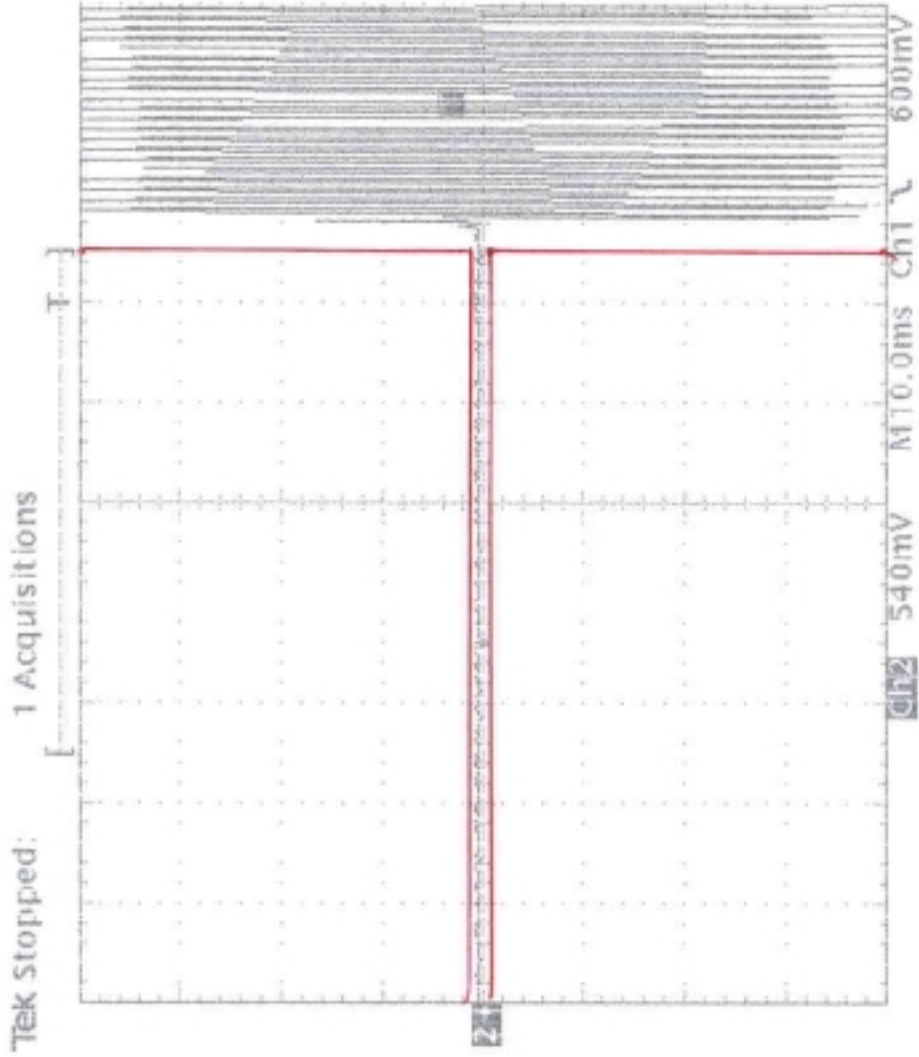


Test Equipment Cal Due
Tektronix TDS420 6-16-99
HP8901B 12-29-98
HP8640B 6-27-99

Transient Behavior 25KHz

Ken Klyberg
Tested By Ken Klyberg
Engineering Tech

FCC ID: K95GPH21



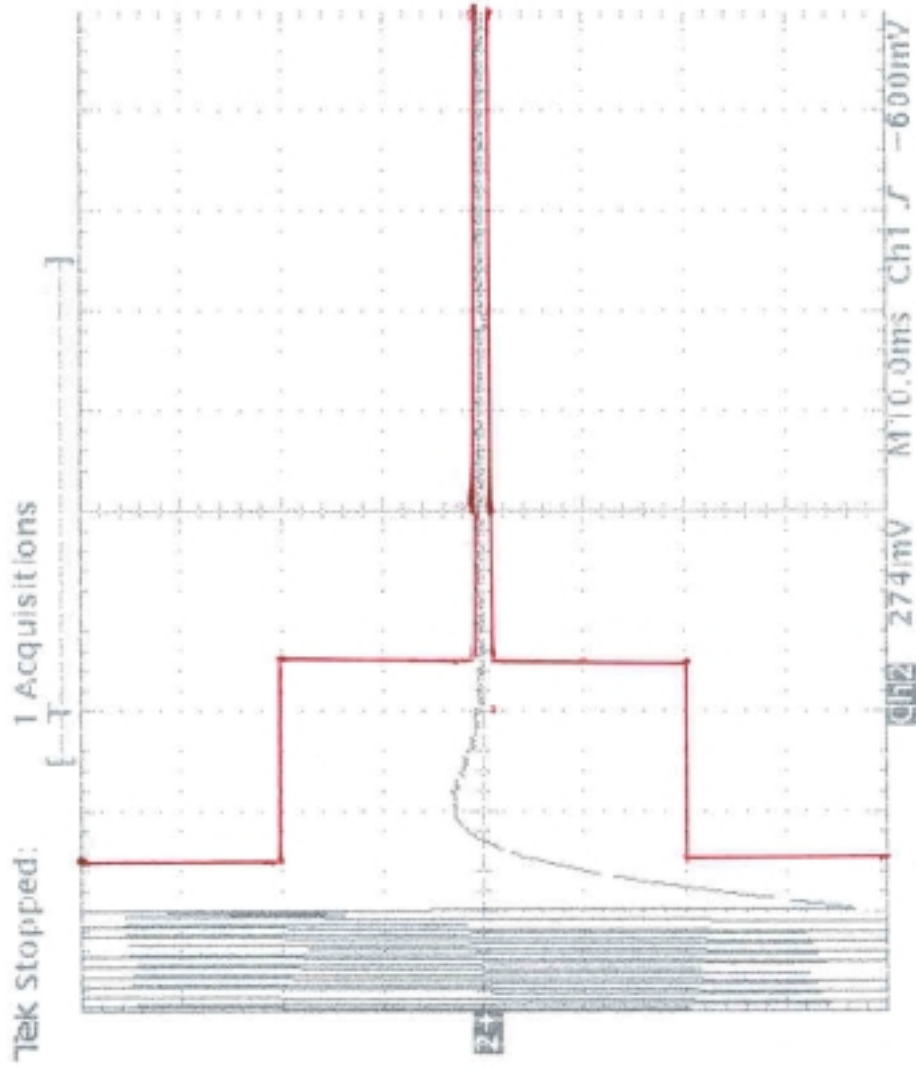
Test Equipment
Tektronix TDS420
HP8901B
HP8640B

Cal Due
6-16-99
12-29-98
6-27-99

Transient Behavior 25KHz

Ken Klyber
Tested By Ken Klyber
Engineering Tech

FCC ID: K95GPH21

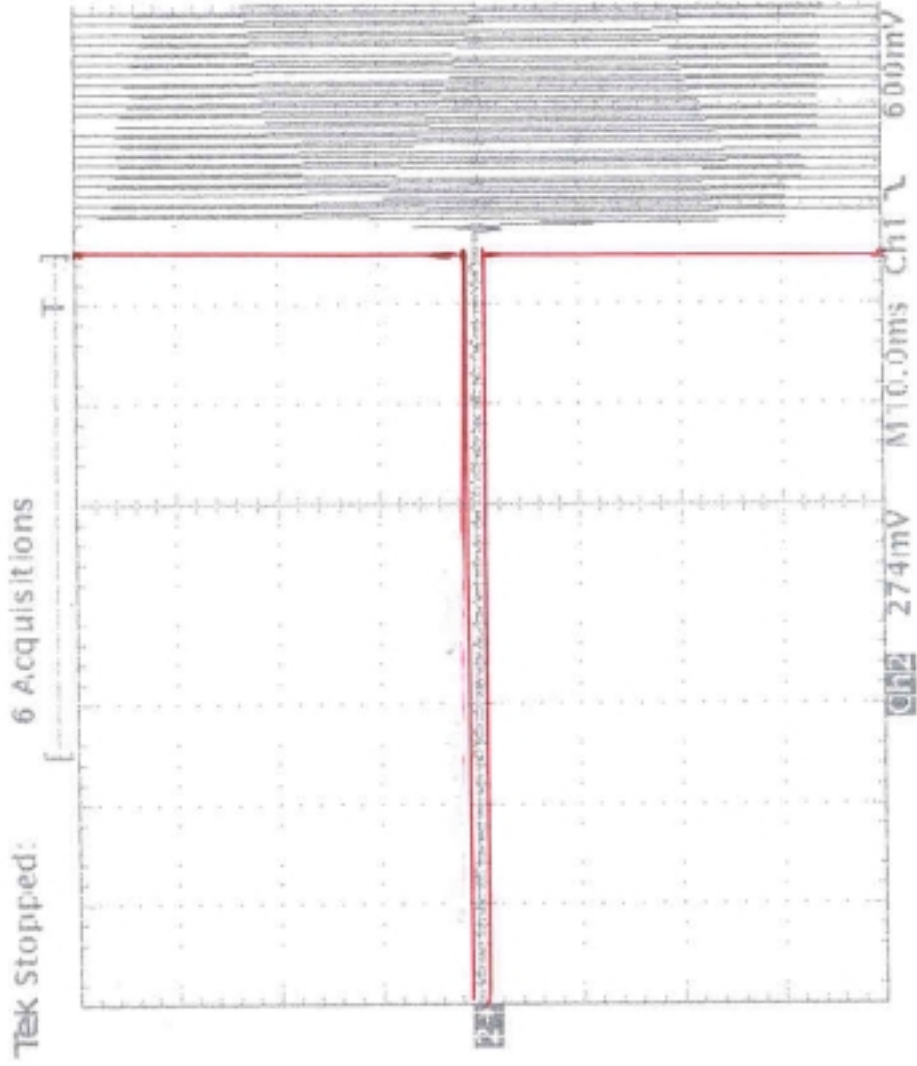


Test Equipment
Tektronix TDS420
HP8901B
HP8640B

Cal Due
6-16-99
12-29-98
6-27-99

Transient Behavior 12.5KHz

Ken Klyberg
Tested By Ken Klyberg
Engineering Tech



Test Equipment
Tektronix TDS420
HP8901B
HP8640B

Cal Due
6-16-99
12-29-98
6-27-99

Transient Behavior 12.5KHz

Ken Klyberg
Tested By Ken Klyberg
Engineering Tech



BENDIX/KING

BK Radio, Inc.
2901 Lakeview Road
Lawrence, KS 66049

© Copyright 1995 BK Radio, Inc. All rights reserved.

LAA 0008
BK Radio Ref. 006-01202-0001

P/N 0300-2066-801