



Car Radio | CD | USB | SD | Bluetooth

Blaupunkt Radio Professional
Blaupunkt Radio Basic



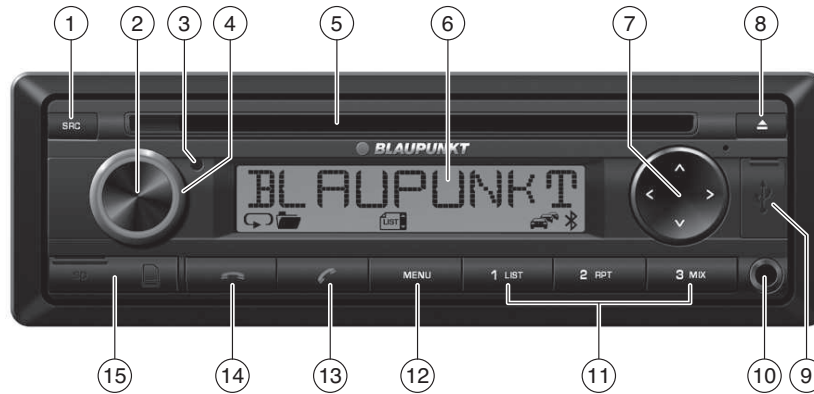
Operating and installation instructions
Bedienungs- und Einbauanleitung
Mode d'emploi et de montage
Instruções de serviço e de montagem
Instrucciones de manejo e instalación
Istruzioni d'uso e di installazione
Gebruiksaanwijzing en inbouwhandleiding
Betjenings- og monteringsvejledning
Bruks- och monteringsanvisning
Käyttö- ja asennusohje
Instrukcja obsługi i montażowa
Kezelési és beszerelési útmutató
Инструкция по эксплуатации и монтажу
Návod k obsluze a k montáži
Návod na obsluhu a inštaláciu

 **BLAUPUNKT**

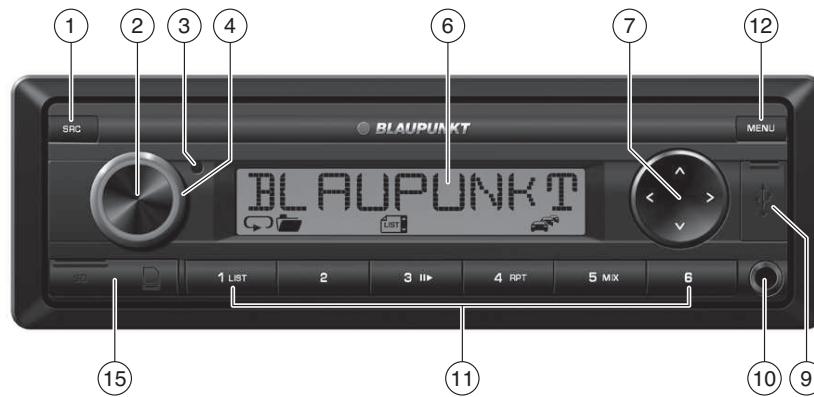


Controls

Professional



Basic



- ① **SRC** button
Select memory bank or audio source
- ② On/Off but on
Short press: Switch on car sound system
In operation: Mute car sound system
Long press: Switch off car sound system
- ③ Infrared receiver
- ④ Volume control
In the menu: Change settings
Fast-Browse mode: Select folder and track
- ⑤ CD tray (Professional only)
- ⑥ Display
- ⑦ **▲ / ▼** button
In the menu: Select menu item
Radio mode: Start seek tuning
MP3/WMA mode: Change to next/previous folder
- ⑦ **</>** button
In the menu: Change menu level
Radio mode: Adjust the stations
Other operating modes: Track selection
- ⑧ **▲** button (Eject) (Professional only)
Eject a CD
- ⑨ USB socket
- ⑩ Front AUX-IN socket
- ⑪ Keys **1 - 3** (Professional)
Keys **1 - 6** (Basic)
- ⑫ **MENU** button
Short press: Call up/close menu
Long press: Start scan function
- ⑬ **☎** button (Professional only)
 - If no Bluetooth® device is connected:
Start pairing, display shows the current stored PIN (default "1234")
 - If Bluetooth® device is connected:
Short press: Answering a call, speed dial
Long press: Activate voice dialing
- ⑭ **☎** button (Professional only)
Ending/rejecting a phone call
- ⑮ SD card slot



Safety notes	4	Interrupting playback (Basic only)	11
Symbols used	4	Scanning all tracks	11
Road safety	4	Playing tracks in random order	11
General safety notes	4	Repeatedly playing individual tracks or directories	12
Declaration of conformity	4	Browse mode	12
Cleaning notes	5		
Disposal notes	5		
Scope of delivery	5	Bluetooth® (Professional only)	13
Placing the device in operation	5	The Bluetooth® menu	13
Code protection	5	Pairing and connecting a device	13
Setting the reception area	5	Telephone functions	14
Switching on/off	6	Bluetooth® streaming mode	16
Volume	6	Additional functions in the Bluetooth® menu	16
Switching demo mode on/off	6	External audio sources	17
Traffic information	6	Front AUX-IN socket	17
Radio mode	7	Sound settings	17
RDS	7	Calling and exiting the "AUDIO" menu	17
Changing to radio mode or selecting a memory bank	7	Making settings in the "AUDIO" menu	18
Tuning into a station	7	User settings	18
Storing stations or calling stored stations	8	Calling the user menu and selecting a menu	18
Scanning stations	8	Making settings in the "TUNER" menu	19
Storing stations automatically (Travelstore)	8	Making settings in the "DISPLAY" menu	20
PTY	8	Making settings in the "VOLUME" menu	20
CD/MP3/WMA mode	9	Making settings in the "VARIOUS" menu	21
Basic information	9	Factory settings	21
Changing to CD/MP3/WMA mode	9	Useful information	22
Inserting/ejecting a CD (Professional only)	10	Warranty	22
Connecting/removing a USB data carrier	10	Service	22
Inserting/removing a memory card	11	Technical data	22
Selecting tracks	11	Installation instructions	350
Selecting a folder (only in MP3/WMA mode)	11		
Fast searching	11		



Safety notes

Safety notes

The car sound system was manufactured according to the state of the art and established safety guidelines. Even so, dangers may occur if you do not observe the safety notes in these instructions.

- Read these instructions carefully and completely before using the car sound system.
- Keep the instructions at a location so that they are always accessible to all users.
- Always pass on the car sound system to third parties together with these instructions.

In addition, observe the instructions of the devices used in conjunction with this car sound system.

Symbols used

These instructions employ the following symbols:



DANGER!

Warns about injuries



CAUTION!

Warns about damaging the CD drive



DANGER!

Warns about high volume



The CE mark confirms the compliance with EU directives.

- Identifies a sequencing step
- Identifies a listin

Road safety

Observe the following notes about road safety:

- **Use your device in such a way that you can always safely control your vehicle.** In case of doubt, stop at a suitable location and operate your device while the vehicle is standing.
- **Always listen at a moderate volume** to protect your hearing and to be able to hear acoustic warning signals (e.g. police sirens). During mute phases (e.g. when changing the audio source), changing the volume is not audible. Do not increase the volume during this mute phase.

General safety notes

Observe the following notes to protect yourself against injuries:

- **Do not modify or open the device.** The device contains a Class 1 laser that can cause injuries to your eyes (Professional only).
- **Do not increase the volume during mute phases,** e.g. when changing the audio source. Changing the volume is not audible during a mute phase.

Use as directed

This car sound system is intended for installation and operation in a vehicle with 12 V vehicle system voltage and must be installed in a DIN slot. Observe the performance limits in the technical data. Repairs and installation, if necessary, should be performed by a specialist.

Declaration of conformity

The Blaupunkt Technology GmbH declares that the car sound system Basic complies with the basic requirements and the other relevant regulations of the directive 2004/108/EC and the car sound system Professional complies with the basic requirements and the other relevant regulations of the directive 1999/5/EC.

* This manual is valid for the following model numbers 1 011 200 344, 1 011 300 330, 1 011 300 331, 1 011 300 332, 1 011 300 333, 1 011 300 334, 1 011 300 335, 1 011 300 336, 1 011 300 337, 1 011 300 338, 1 011 300 339.



Cleaning notes

Solvents, cleaning and scouring agents as well as dashboard spray and plastics care product may contain ingredients that will damage the surface of the car sound system.

Use only a dry or slightly moistened cloth for cleaning the car sound system.

Disposal notes



Do not dispose of your old unit in the household trash!

Use the return and collection systems available to dispose of the old device.

Scope of delivery

The scope of delivery includes:

- 1 Car sound system
- 1 Operating/installation instructions
- 1 Support frame
- 2 Disassembly tools
- 1 Distance bolt (Basic)
- 1 Guide pin
- 1 Microphone (Professional)
- 1 Microphone adapter cable (Professional)

Placing the device in operation

Code protection

This car sound system is protected against theft with a four-digit code number. You can specify that the code number must be entered after every interruption of the power supply from the vehicle battery. With activated code query and without this code number, the car sound system is useless to a thief.

Notes:

- The code query is set to inactive at the factory, but it can be activated (see the chapter "User settings", section "Making settings in the "VARIOUS" menu", menu item "SEC CODE").

- The default setting of the code number is "0000". The code number can be changed (see the chapter "User settings", section "Making settings in the "VARIOUS" menu", menu item "CODE SET").

Entering the code number after a voltage interruption

If the code query is activated, the four-digit code number must be re-entered every time the device is disconnected from the vehicle system voltage (e.g. removal of the battery for repairs).

For each digit of the code number:

- Press the ∇ / \blacktriangle button ⑦ to set the current digit.
- Press the \blacktriangleright button ⑦ to confirm.

Note:

When entering the code, you may return to a previous digit by pressing the \blacktriangleleft button ⑦.

After setting and confirming the fourth digit, the car sound system is switched on.

Note:

If you enter an incorrect code number, "CODE ERR" is briefly displayed and the device is blocked for 99 seconds. Afterwards you can retry the entry.

Setting the reception area

This car sound system is designed for operation in different regions with different frequency ranges and station technologies. The factory default of the reception area is "EUROPE". In addition, the reception areas "USA", "S-AMERICA" and "THAILAND" are available.

Note:

If you operate the car sound system outside of Europe, you may first have to set a suitable reception area in the user menu (see the chapter "User settings", section "Making settings in the "TUNER" menu", menu item "AREA").





Switching on/off

Switching on/off with the On/Off button

- For switch-on, press the On/Off button ②.
The car sound system switches on.
- To switch off the device, press and hold down the On/Off button ② for longer than 2 seconds.
The car sound system switches off.

Note:

If you switch on the car sound system while the vehicle ignition is switched off, it automatically switches off after 1 hour to preserve the vehicle battery.

Switching on/off via vehicle ignition

The car sound system will switch off/on simultaneously with the ignition if the device is correctly connected to the vehicle's ignition as shown in the installation instructions and you did not switch the device off by pressing the On/Off button ②.

Volume

Adjusting the volume

You can adjust the volume in steps from 0 (off) to 50 (maximum).

- Turn the volume control ④ to change the volume.

Muting the car sound system (Mute)

- Briefly press the On/Off button ② to mute the car sound system or to reactivate the previous volume.

During muting, the display shows "MUTE".

Switching demo mode on/off

The demo mode shows the functions of the car sound system as scrolling text on the display. You can turn the demo mode on or off:

- Switch off the car sound system if it is not already turned off.

Basic

- Press and hold the buttons < ⑦ and **1 LIST** ⑪ at the same time and press the On/Off button ②.

Professional

- Press and hold the buttons < ⑦ and **⌂** ⑭ at the same time and press the On/Off button ②.

The car sound system switches on. The display briefly shows "DEMO MODE" if you switched on the demo mode. By pressing any button, the demo mode is interrupted and you can operate the device.

Traffic information

In the reception area "EUROPE", an FM station can identify traffic reports by means of an RDS signal. If priority for traffic reports is switched on, a traffic report is automatically switched through, even if the car sound system is currently not in radio mode.

If priority is switched on, the display shows the traffic jam symbol (🚗). "TRAFFIC" is displayed during a switched-through traffic announcement.

The priority is activated and deactivated in the user menu (see the chapter "User settings", section "Making settings in the "TUNER" menu", menu item "TRAFFIC").

Notes:

- The volume is increased for the duration of the switched-through traffic announcement. You can adjust the minimum volume for traffic announcements (see the chapter "User settings", section "Making settings in the "VOLUME" menu", menu item "TA VOLUME").
- To cancel a switched-through traffic announcement, press the **SRC** button ①.





Radio mode

RDS

Many FM stations broadcast an RDS (Radio Data System) signal in addition to their programme in the reception area "EUROPE" that allows the following additional functions:

- The station name is shown on the display.
- The car sound system recognises traffic announcements and news broadcasts and can automatically switch them through in other operating modes (e.g. in CD mode).
- Alternate frequency: If RDS is activated, the car sound system automatically selects the best receivable frequency for the station that is currently set.
- Regional: At certain times, some radio stations divide their programme into regional programmes providing different content. If the REGIONAL function is activated, the car sound system changes only to those alternate frequencies on which the same regional programme is being broadcast.

The functions RDS and REGIONAL are activated and deactivated in the user menu (see the chapter "User settings", section "Making settings in the "TUNER" menu", menu items "RDS" and "REGIONAL").

Changing to radio mode or selecting a memory bank

The following memory banks are available in the different reception areas:

Region	Memory banks
EUROPE	FM1, FM2, FMT, MW, LW, SW
USA	FM1, FM2, FMT, AM, AMT, SW
S-AMERICA	FM1, FM2, FMT, AM, AMT, SW
THAILAND	FM1, FM2, FMT, AM, AMT, SW

- Press the **SRC** button ① repeatedly until the desired memory bank is displayed.

Notes:

- Up to 3 stations (Professional) or up to 6 stations (Basic) can be stored in each memory bank.
- Memory banks can be activated or deactivated via the user menu (see the chapter "User settings", section "Making settings in the "TUNER" menu", menu item "TUN BAND" (band selection)). Deactivated memory banks are skipped during the source selection with the **SRC** button ①.

Tuning into a station

There are various ways of tuning into a station:

Tuning into stations manually

- Briefly press the **</>** button ⑦ once or several times to change the frequency in increments, or long to quickly change the frequency.

Note:

For the reception areas "EUROPE" and "USA": In the FM waveband, the current selected programme type is displayed and can be changed if the PTY function is activated (see the chapter "PTY").

Starting station seek tuning

- Press the **∇ / ▲** button ⑦ to start station seek tuning.

The radio tunes into the next receivable station.

Notes:

- For the reception area "EUROPE": In the FM waveband, only traffic information stations are tuned into if the priority for traffic information (🚗) is switched on.
- For the reception areas "EUROPE" and "USA": In the FM waveband, the next station with the currently selected programme type is tuned into if the PTY function is activated (see the chapter "PTY").



Radio mode

- The sensitivity of seek tuning can be adjusted (see the chapter "User settings", section "Making settings in the "TUNER" menu", menu item "SEEK SENS").

Storing stations or calling stored stations

- Select the desired memory bank.
- If necessary, set the desired station.
- Press a station button ⑪ for approx. 2 seconds to store the current station under the button.
- or -
- Briefly press a station button ⑪ to call up the stored station.

Scanning stations

The scan function is used to scan every receivable station of the current waveband.

Note:

You can adjust the scan time for each station (see the chapter "User settings", section "Making settings in the "VARIOUS" menu", menu item "SCAN TIME").

- Press the **MENU** button ⑫ for approx. 2 seconds to start scanning.
During the scan, the display alternately displays "SCAN" and the current frequency as well as memory bank or station name.
- Briefly press the **MENU** button ⑫ to continue listening to the station that is currently being received.

Storing stations automatically (Travelstore)

With Travelstore, you can automatically search for and store the 3 FM stations (Professional) or the 6 FM stations (Basic) offering the strongest reception in the region in one memory bank. Any previously stored stations in this memory bank are deleted in the process.

In the reception areas "USA", "S-AMERICA" and "THAILAND", you can also store 3 or 6 AM stations in the AMT memory bank.

- Select a memory bank of the desired waveband, e.g. FM1 or AM.

- Press the **SRC** button ① for approx. 2 seconds.
The tuner starts the automatic station seek tuning; the display shows "FM TSTORE" or "AM TSTORE". After the storing is completed, the radio plays the station at memory location 1 of the FMT or AMT level.

Notes:

- For the reception area "EUROPE": If the priority for traffic information is switched on (🚗), only traffic information stations are stored.
- If the FMT or AMT memory bank is deactivated (see the chapter "User settings", section "Making settings in the "TUNER" menu", menu item "TUN BAND"), it is automatically reactivated if you initiate the Travelstore function.

PTY

In the reception areas "EUROPE" and "USA", an FM station can transmit its current programme type, e.g. CULTURE, POP, JAZZ, ROCK, SPORT or SCIENCE. Hence, the PTY function allows a targeted search for broadcasts of a certain programme type, e.g. for rock or sports broadcasts. Note that PTY is not supported by all stations.

Note:

The PTY function is only available if it has been activated (see the chapter "User settings", section "Making settings in the "TUNER" menu", menu item "PTY").

Selecting a programme type

- Briefly press the </> button ⑦.
The currently selected programme type is briefly displayed, and you can select a different programme type.
- If necessary, press the </> button ⑦ repeatedly until the desired programme type is selected.



**Note:**

In the reception area "EUROPE", you can adjust the language in which the programme types are displayed (see the chapter "User settings", section "Making settings in the "TUNER" menu", menu item "PTY LANG").

Searching for stations

- Press the **V / ^** button ⑦.

During the seek tuning, the currently selected programme type is shown on the display.

As soon as a station with the desired programme type is found, it remains being tuned into.

Notes:

- If no station with the selected programme type is found, "PTY NONE" is briefly displayed and 1 beep can be heard. The radio will then retune to the station that it played last.
- If the tuned radio station or another station on the broadcasting network broadcasts your selected programme type at a later point in time, the car sound system will automatically switch from the currently tuned station to the station whose programme type matches the one you selected. Note that this function is not supported by all stations.

- Blaupunkt cannot guarantee the full function of copy-protected CDs and all CD blanks, USB data carriers and memory cards available on the market.

Note the following information when preparing an MP3/WMA data carrier:

- Naming of tracks and directories:
 - Max. 32 characters without the file extension ".mp3" or ".wma" (the use of more characters reduces the number of tracks and folders that the car sound system can recognise)
 - No umlauts or special characters
- CD formats: audio CD (CDDA), CD-R/RW, Ø: 12 cm
- CD data formats: ISO 9669 Level 1 and 2, Joliet
- CD burn speed: Max. 16x (recommended)
- USB format/file system: Mass storage device / FAT16/32
- Memory card file system: FAT16/32
- File extension of audio files
 - .MP3 for MP3 file
 - .WMA for WMA file
- WMA files only without Digital Rights Management (DRM) and created with Windows Media Player version 8 or later
- MP3 ID3 tags: Version 1 and 2
- Bitrate for creating audio files
 - MP3: 32 to 320 kbps
 - WMA: 32 to 192 kbps
- Maximum number of files and directories:
 - USB medium: Up to 20,000 entries depending on the data structure
 - Memory cards: Up to 1,500 files (directories and tracks) per directory

CD/MP3/WMA mode**Basic information****Professional:**

This car sound system can be used to play audio CDs (CDDA) and CD-R/RWs with audio, MP3 or WMA files as well as MP3 or WMA files on USB data carriers and SD(HC)/MMC cards.

Basic:

This car sound system can be used to play MP3 or WMA files on USB data carriers and SD(HC)/MMC cards.

Notes:

- To ensure proper functioning, use only CDs with the Compact-Disc logo.

Changing to CD/MP3/WMA mode

- Press the **SRC** button ① repeatedly until the desired audio source is displayed:
 - "CD": Inserted CD (Professional only)
 - "SD(HC)": Inserted memory card
 - "USB": Connected USB data carrier
 - "AUX": Connected external audio source



CD/MP3/WMA mode

Notes:

- The respective audio source can be selected only if a corresponding data carrier is inserted or a corresponding device is connected.
- If the car sound system first has to read the data of a connected device or data carrier before the playback, the display shows "READING". The duration of the reading depends on the data volume and design of the device or data carrier. If the device or data carrier is defective or the transferred data cannot be played back, a corresponding message appears on the display (e.g. "USB ERROR").

Inserting/ejecting a CD (Professional only)

Inserting a CD



Risk of severe damage to the CD drive!

Noncircular contoured CDs (shape CDs) and CDs with a diameter of 8 cm (mini CDs) must not be used.

We accept no responsibility for any damage to the CD drive that may occur as a result of the use of unsuitable CDs.

Note:

You must not hinder or assist the drive as it automatically draws in the CD.

- Insert the CD with its printed side up into the CD tray ⑤ until you feel a slight resistance.

The drive automatically draws in the CD and checks its data. Afterwards, the playback starts in CD or MP3 mode.

Note:

If the inserted CD cannot be played back, "CD ERROR" is briefly displayed and the CD is automatically ejected after approx. 2 seconds.

Ejecting a CD

Note:

You must not hinder or assist the drive as it ejects the CD.

- Press the  button ⑧ to eject an inserted CD.

Notes:

- If a CD is ejected and not removed, the drive will automatically draw it back in again after approx. 10 seconds.
- You can also eject CDs while the car sound system is switched off or whilst another audio source is activated.

Connecting/removing a USB data carrier

Connecting a USB data carrier

- Switch off the car sound system so that the data carrier will be correctly registered.
- Pull the protective cap of the USB socket ⑨ to the front until it moves out of the socket and fold it down.
- Connect the USB data carrier.
- Turn on the car sound system.

If the USB data carrier is initially selected as audio source, the data are read first.

Notes:

- If the connected USB data carrier cannot be seen, "USB ERROR" is briefly displayed.
- The time required for reading in the data depends on the design and size of the USB data carrier.

Removing a USB data carrier

- Switch off the car sound system so that the data carrier will be correctly unregistered.
- Disconnect the USB data carrier.
- Close the protective cap of the USB socket ⑨.





Inserting/removing a memory card

Inserting a memory card

- Switch off the car sound system so that the memory card will be correctly registered.
- Open the cover of the card slot ⑮.
- Insert the memory card with its labelled side up and its contacts first into the card slot ⑮ until it clicks into place.
- Close the cover of the slot again.
- Turn on the car sound system.

After switch-on, the device automatically selects the inserted memory card as audio source. The data of the memory card are read. Afterwards, the playback starts in MP3 mode.

Notes:

- If the inserted memory card cannot be played, "SD ERROR" is briefly displayed.
- The time required for reading in the data depends on the design and size of the memory card.

Removing the memory card

- Switch off the car sound system so that the memory card will be correctly unregistered.
- Open the cover of the card slot ⑮.
- Push on the memory card until it disengages.
- Pull the memory card out of the card slot.
- Close the cover of the slot again.

Selecting tracks

- Press the </> button ⑦ briefly to change to the previous/next track.

Note:

If the current track plays longer than 3 seconds, pressing < ⑦ once restarts the track.

Selecting a folder (only in MP3/WMA mode)

- Press the V / ^ button ⑦ briefly to change to the previous/next folder.

Fast searching

- Press and hold down the button </> ⑦ until the desired position has been reached.

Interrupting playback (Basic only)

- Press the 3 II button ⑩ to interrupt the playback ("PAUSE") or to continue it.

Scanning all tracks

The scan function scans all available tracks.

- Press the MENU button ⑫ for approx. 2 seconds to start the scan, or briefly to continue playing the currently scanned track.

During the scan, the display alternately displays "PLAY SCAN" and the playing time of the current track.

Note:

The scan time can be adjusted (see the chapter "User settings", section "Making settings in the "VARIOUS" menu", menu item "SCAN TIME").

Playing tracks in random order

- Press the MIX button ⑪ to change among the playback modes:

Operation	Display	Meaning
CD*	MIX ALL	Mixing tracks
MP3/WMA	MIX DIR	Mixing tracks of the current folder
	MIX ALL	Mixing tracks of the data carrier
Gen.	MIX OFF	Regular playback

* Professional only

If the MIX function is switched on, the icon **MIX** (mix all tracks) or **MIX** (mix tracks of current folder) is shown on the display.



CD/MP3/WMA mode

Repeatedly playing individual tracks or directories

- Press the **RPT** button $\text{\textcircled{11}}$ to change among the playback modes:

Operation	Display	Meaning
CD*	RPT TRACK	Repeating tracks
MP3/ WMA	RPT TRACK	Repeating tracks
	RPT DIR	Repeating folders
Gen.	RPT OFF	Regular playback

* Professional only

If the RPT function is switched on, the icon (repeat tracks) or (repeat folders) is shown on the display.

Browse mode

In Browse mode, you can directly search for and select a certain track on the MP3/WMA data carrier without interrupting the current playback.

Calling the browse mode

- Press the **1 LIST** button $\text{\textcircled{11}}$ to call up the browse mode.

The **LIST** icon flashes on the display. In addition, the icon (folder) or icon (track) appears. The first or current folder on the data carrier is being displayed.

Notes:

- The first folder is displayed only if the browse mode has been called for the first time after inserting or connecting the data carrier. Afterwards, the current folder is displayed whenever the browse mode is called.
- You can exit the browse mode at any time by pressing the **1 LIST** button $\text{\textcircled{11}}$.
- Press the $\blacktriangledown / \blacktriangle$ button $\text{\textcircled{7}}$ once or several times to select a different folder.

- Press the \blacktriangleright button $\text{\textcircled{7}}$ to display the tracks of the selected folder.

The first track of the folder is shown on the display.

Note:

Pressing the \blacktriangleleft button $\text{\textcircled{7}}$ returns you to the folder list.

- Press the $\blacktriangledown / \blacktriangle$ button $\text{\textcircled{7}}$ once or several times to select a different track.
- Press the \blacktriangleright button $\text{\textcircled{7}}$ to play the track.

The playback starts. You are exiting the browse mode.

Fast browsing

Fast browsing enables faster access to tracks. Instead of the arrow keys $\text{\textcircled{7}}$, you use the volume control $\text{\textcircled{4}}$ to select list entries:

Function	Browse mode	Fast browse mode
Selecting entries in lists	$\blacktriangledown / \blacktriangle \text{\textcircled{7}}$	Volume control $\text{\textcircled{4}}$
Confir ming entries	$\blacktriangleright \text{\textcircled{7}}$	$\blacktriangleright \text{\textcircled{7}}$
Return to the higher level	$\blacktriangleleft \text{\textcircled{7}}$	$\blacktriangleleft \text{\textcircled{7}}$

Fast browsing is switched on or off in the user menu (see the chapter "User settings", section "Making settings in the "VARIOUS" menu", menu item "BROWSE").

Note:

With activated fast browsing, you cannot change the volume in browse mode. To do so, first exit the browse mode by pressing the button **1 LIST** $\text{\textcircled{11}}$ or starting the track playback.





Bluetooth® (Professional only)

You can connect the car sound system via Bluetooth® with other Bluetooth® ready devices, such as cell phones or MP3 players. This allows you to use the car sound system with its microphone as hands-free system for connected cell phones and control the audio output of other Bluetooth® devices and play them back via the loudspeakers of the car sound system (Bluetooth® streaming).

Bluetooth® technology is a wireless connection of short range. For this reason, Bluetooth® devices must be located near the car sound system (in the vehicle) to establish and maintain a connection.

To establish a Bluetooth® connection, you must first pair the car sound system and the Bluetooth® device. When you pair the devices, a Bluetooth® connection is subsequently established automatically. This connection remains in effect as long as the Bluetooth® device is within range. If the connection is interrupted, e.g. because you moved the cell phone outside the range, the connection is automatically re-established as soon as you are back within range.

You can connect only one cell phone and streaming device with the car sound system at a time. If you connect a new device with the car sound system, the connection to a currently connected device may automatically be interrupted. However, the car sound system leaves up to 5 different Bluetooth® devices paired, and you can quickly and easily connect any of these devices with the car sound system again.

The Bluetooth® menu

In the Bluetooth® menu, you find all the functions for pairing, connecting and managing Bluetooth® devices.

Calling the Bluetooth® menu

- Briefly press the **MENU** button ⑫ to open the user menu.
- Press the **▼ / ▲** button ⑦ repeatedly until the "BLUETOOTH" menu item is selected.
- Press the **>** button ⑦ to open the Bluetooth® menu.

- Press the **▼ / ▲** button ⑦ repeatedly until the desired menu item is selected.
- Perform the setting (see the following sections).
- Briefly press the **MENU** button ⑫ to exit the menu.

Notes:

- The Bluetooth® menu is automatically exited approx. 30 seconds after the last button activation and you are returned to the display of the current audio source.
- In the menu, you can press the button **<** ⑦ in each case to return to the higher menu level.

Pairing and connecting a device

Note:

You can pair up to 5 Bluetooth® devices with this car sound system. If you register a sixth one, the Bluetooth® device registered first is unregistered.

Pairing and connecting a cell phone / Bluetooth® streaming device

Note:

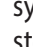
If a connection with a Bluetooth® device currently exists, this connection is automatically disconnected if you pair and connect another Bluetooth® device.

If Bluetooth® device is connected,

- In the Bluetooth® menu, select the "PAIRING" menu item via pressing the **>** button ⑦.
- Press the **>** button ⑦ to activate pairing mode.

If no Bluetooth® device is connected,

- Press the **☞** button ⑬ to call up the pairing mode.

The display shows "PAIRING", the Bluetooth® symbol  is flashing and shows the current stored PIN (default "1234"). The car sound system can now be recognised by a Bluetooth® device for approx. 2 minutes and connected.






Bluetooth®

- Select the car sound system device name "BP PROFESSIONAL" from the Bluetooth® device to establish the connection.
- Enter the PIN displayed on the car sound system at Bluetooth® device if necessary.

The display may show "PAIRED", followed by "CONNECTED", as soon as the car sound system and the Bluetooth® device are paired and connected.

Notes:

- If no connection can be established, the display briefly shows "CONNECT FAILED".
- If connection to the last connected Bluetooth® device could not be established after switching on the car sound system, the display briefly shows "NO DEVICE".
- Auto connection triggered every time when the car sound system is switched on, with the Bluetooth® symbol  flashing.



Telephone functions

Answering/rejecting an incoming phone call

With an incoming call, the display alternately shows "IN CALL" and the number of the caller. The current audio source is muted and a ring tone is played via the loudspeakers of the car sound system.

Note:

If the number of the caller is not being transmitted, the display shows "IN CALL" instead of the number. If the number of the caller is stored together with a name in the car sound system, the name of the entry and the number are displayed (see the section "Storing a phone number in the car sound system" in this chapter).




- Press the  button ¹³ to answer the call. "CALL" and the duration of the ongoing call are displayed.
- Press the  button ¹⁴ to reject the call or to end the current call.

The display shows "END CALL".


Notes:

- During the call, you can adjust the volume with the volume control ⁴ or mute the device with a short press of the On/Off button ². "MUTE" will mute the speakers and microphone.
- You can preset the minimum hands-free volume in the user menu (see the chapter "User settings", section "Making settings in the "VOLUME" menu", menu item "TEL VOL").

Making a call

- In the Bluetooth® menu, select the "DIAL NEW NUMBER" menu item.
- Press the  button ⁷ to open the entry menu. You can now enter a phone number with up to 20 digits:
- Turn the volume control ⁴ to select a digit for the respective position.
- Press the  or  button ⁷ to reach the next or previous position.

Notes:

- You can also reach the next position by pressing the ON/Off button ².
- While entering the phone number, you cannot change the volume or mute the car sound system.
- Press the  button ¹³ to call the number entered.

"CALLING" and the dialed number are alternately shown on the display.

As soon as your calling party answers the call, the display shows "CALL" and the time of the current phone call.

Upon ending the call, the display briefly shows "END CALL".





Making a call with voice dial

Note:

This function is only available if the connected cell phone supports voice dial.

- In the Bluetooth® menu, select the "VOICE DIAL" menu item.
- Press the > button ⑦ to activate voice recognition.
- or -
- Press the button ⑬ for approx. 2 seconds to activate the voice recognition with the speed dial.

The car sound system is muted and the display shows "SPEAK NOW".

- Say the name of the desired calling partner.

Notes:

- If no Bluetooth® connection is established when voice recognition is activated, the display briefly shows "VOICE DIAL FAILED".
- If the spoken name is not being recognised or the time for the voice recognition has already expired, the display briefly shows "VOICE DIAL FAILED".
- You can cancel the voice recognition by pressing the button ⑭.
- Please note that the duration of the voice recognition is limited and depending on the respective cell phone.

Storing a phone number in the car sound system

You can store three phone numbers in the car sound system and place calls with the speed dial (see the following section).

- Enter the phone number as described in the section "Making a call".
- Press the desired memory button 1 - 3 ⑪ for approx. 2 seconds to store the number.
You can now enter a name with up to 15 characters:
- Turn the volume control ④ to select a character for the respective position.

- Press the > or < button ⑦ to reach the next or previous position.

Note:

You can also reach the next position by pressing the ON/Off but on ②.

- Press the memory button 1 - 3 ⑪ again for approx. 2 seconds to store the number and name.

The display briefly shows "NUMBER SAVED". Afterwards, you are returned to the Bluetooth® menu and the "DIAL NEW NUMBER" menu item.

Note:

A number previously stored on the memory button is replaced.

Speed dial for any phone number or for the number dialed last or a stored number

With speed dial, you can make a call without first having to select the corresponding function in the Bluetooth® menu.

To call the number dialed last,

- press the button ⑬.

The display shows the number dialed last.

Note:

If no cell phone is currently connected, the Bluetooth® menu is opened. The "PAIRING" menu item is selected.

- Press the button ⑬ to call the number.
"CALLING" and the dialed number are alternately shown on the display.

To call a stored number,

- press the button ⑬.
- Press a memory button 1 - 3 ⑪ to call the stored number.

Note:

If no number is stored under the selected memory button, the display briefly shows "NO NUMBER".

- Press the button ⑬ to call the number.
"CALLING" and the dialed number are alternately shown on the display.





Bluetooth®

To call any number,

- press the button ⑬.
- Press the On/Off button ② to open the entry menu and enter a number (enter the phone number as described in the section "Making a call").
- Press the button ⑬ to call the number. "CALLING" and the dialed number are alternately shown on the display.

Bluetooth® streaming mode

Starting the Bluetooth® streaming mode

- Press the **SRC** button ① repeatedly until "BT STREAM" appears on the display. The playback starts.

Notes:

- The Bluetooth® streaming mode can be selected only if a suitable streaming device is connected.
- If the connection to the streaming device is lost during playback, the display briefly shows "DISCONNECTED" and the car sound system changes to the previous audio source.

Selecting tracks

- Press the button ⑦ briefly to change to the previous/next track.

Additional functions in the Bluetooth® menu

Changing the Bluetooth® PIN

The factory-set Bluetooth® PIN of the car sound system is "1234"; e.g. it must be entered on the cell phone when pairing a cell phone. This PIN can be changed.

- In the Bluetooth® menu, select the "PIN EDIT" menu item.
- Press the button ⑦ to open the entry menu. You can now enter the PIN:
- Turn the volume control ④ to select a digit for the respective position.

- Press the or button ⑦ to reach the next or previous position.

Note:

While entering the PIN, you cannot change the volume of the car sound system.

- Press the button ⑦ repeatedly until you reach past the last position to confirm the PIN entered and return to the Bluetooth® menu.

Managing paired devices

In the Bluetooth® menu, you can manage the paired Bluetooth® devices (cell phones and streaming devices such as MP3 player).

In the device lists for cell phones and streaming devices, the Bluetooth® names of the paired devices are displayed. You can do the following:

- Disconnecting the connection to the currently connected Bluetooth® device
- Establishing a connection to one of the paired Bluetooth® devices
- Unpairing a Bluetooth® device
- In the Bluetooth® menu, select the menu item "PHONE LIST" or "STREAMING LIST".
- Press the button ⑦ to open the selected list.

The first device on the list is displayed.

Note:

If no device is paired, "NO DEVICE" is briefly displayed.

- Press the button ⑦ once or several times to select another device.
- Press the button ⑦ to select between the following options:

To connect the selected device,

- press the button ⑦ repeatedly until the "CONNECT DEVICE ..." menu item is selected.
- Press the button ⑦ to connect the device. As soon as the device is connected, "CONNECTED" is briefly displayed and you are returned to the Bluetooth® menu.



**Note:**

If no connection can be established, the display briefly shows "CONNECT FAILED". If the device is already connected, the display briefly shows "CONNECTED".

To disconnect the connection to the selected device,

- press the **▼ / ▲** button ⑦ repeatedly until the "DISCONNECT DEVICE ..." menu item is selected.
- Press the **>** button ⑦ to disconnect the device.

The display briefly shows "DISCONNECTED" and you are returned to the Bluetooth® menu.

To unpair the selected device,

- press the **▼ / ▲** button ⑦ repeatedly until the "DELETE DEVICE ..." menu item is selected.
- Press the **>** button ⑦ to unpair the device.

The display briefly shows "DELETED" and you are returned to the Bluetooth® menu.

Unpairing all paired devices

- In the Bluetooth® menu, select the "DELETE ALL PAIRED DEVICES" menu item.
- Press the **>** button ⑦ to unpair all cell phones or streaming devices.

The display briefly shows "ALL DEVICES DELETED".

External audio sources**Front AUX-IN socket****Danger!****Increased risk of injury from connector.**

In case of an accident, the protruding connector in the front AUX-IN socket may cause injuries. The use of straight plugs or adapters leads to an increased risk of injury.

For this reason, we recommend using angled jack plugs.

As soon as an external audio source, such as a portable MP3 player is connected to the front AUX-IN socket ⑩, it can be selected with the **SRC** button ①. "AUX" then appears on the display.

Sound settings

The following sound settings can be changed in the "AUDIO" menu:

- Adjusting bass and treble
- Setting the left/right volume distribution (Balance) or front/rear (Fader)
- Adjusting the increase of bass at low volume (X-Bass)
- Selecting a sound profile (resets)

Calling and exiting the "AUDIO" menu

- Briefly press the **MENU** button ⑫ to open the user menu.
- Press the **▼ / ▲** button ⑦ repeatedly until the "AUDIO" menu item is selected.
- Press the **>** button ⑦ to open the "AUDIO" menu.
- Press the **▼ / ▲** button ⑦ repeatedly until the desired menu item is selected.
- Perform the setting (see the next section).
- Briefly press the **MENU** button ⑫ to exit the menu.



Sound settings | User settings

Notes:

- The menu is automatically exited approx. 30 seconds after the last button activation and you are returned to the display of the current audio source.
- In the menu, you can press the button \leftarrow ⑦ in each case to return to the higher menu level.

Making settings in the "AUDIO" menu

BASS

Bass level. Settings: -7 to +7.

- Press the > button ⑦ to open the submenu.
- Turn the volume control ⑦ to perform the setting.

TREBLE

Treble. Settings: -7 to +7.

- Press the > button ⑦ to open the submenu.
- Turn the volume control ④ to perform the setting.

BALANCE

Left/right volume distribution. Settings: L9 (left) to R9 (right).

- Press the > button ⑦ to open the submenu.
- Turn the volume control ④ to perform the setting.

FADER

Front/rear volume distribution. Settings: R9 (rear) to F9 (front).

- Press the > button ⑦ to open the submenu.
- Turn the volume control ④ to perform the setting.

X-BASS

Increase of bass at low volume. Settings: OFF, 1, 2, 3 (highest increase).

- Press the > button ⑦ to open the submenu.
- Turn the volume control ④ to perform the setting.

PRESETS

Selecting equalizer presets. Settings: POP, ROCK, CLASSIC, EQ OFF (no presetting).

- Press the > button ⑦ to open the submenu.
- Turn the volume control ④ to perform the setting.

User settings

Calling the user menu and selecting a menu

- Briefly press the **MENU** button ⑫ to open the user menu.

In the user menu, the user settings can be found in the following menus:

- TUNER
- AUDIO (see chapter "Sound settings")
- DISPLAY
- VOLUME
- VARIOUS
- BLUETOOTH
(Professional only, see chapter "Bluetooth®")
- Press the ∇ / \blacktriangle button ⑦ repeatedly until the desired menu is selected.
- Press the > button ⑦ to open the selected menu.
- Press the ∇ / \blacktriangle button ⑦ repeatedly until the desired menu item is selected.
- Perform the setting (see the following sections).
- Briefly press the **MENU** button ⑫ to exit the menu.

Notes:

- The menu is automatically exited approx. 30 seconds after the last button activation and you are returned to the display of the current audio source.
- In the menu, you can press the \leftarrow button ⑦ in each case to return to the higher menu level.





Making settings in the "TUNER" menu

RDS


Switching the RDS function on or off. Settings: ON, OFF.

- Press the > button ⑦ to open the submenu.
- Turn the volume control ④ to change between the settings.

TRAFFIC (traffic information) (only for reception area EUROPE)

Only possible in FM radio mode: Switching priority for traffic announcements on or off. Settings: ON, OFF.

- Press the > button ⑦ to open the submenu.
- Turn the volume control ④ to change among the settings.

If priority is switched on for traffic information, the display shows the icon .

TUN BAND (band selection)

Activating or deactivating memory banks.

Memory banks that can be deactivated:

Region	Memory banks
EUROPE	FM2, FMT, MW, LW, SW
USA	FM2, FMT, AM, AMT, SW
S-AMERICA	FM2, FMT, AM, AMT, SW
THAILAND	FM2, FMT, AM, AMT, SW

Settings in each case: ON, OFF.

- Press the > button ⑦ to open the submenu.
- Press the V / ^ button ⑦ repeatedly until the desired memory bank is displayed.
- Press the > button ⑦ to change the setting.
- Turn the volume control ④ to toggle between the settings ON (activate memory bank) and OFF (deactivate memory bank).

Deactivated memory banks are skipped during the source selection with the SRC button ①.

Note:

If a memory bank is deactivated, the stations stored in this memory bank are retained.

REGIONAL (only for reception area EUROPE)

Only possible in FM radio mode: Switching REGIONAL function on or off. Settings: ON, OFF.

- Press the > button ⑦ to open the submenu.
- Turn the volume control ④ to change between the settings.

SEEK SENS

Setting the sensitivity of station seek tuning. Settings: LO1 (lowest) – HI6 (highest).

- Press the > button ⑦ to open the submenu.
- Turn the volume control ④ to change between the settings.

PTY

Switching the PTY function on or off. Settings: ON, OFF.

- Press the > button ⑦ to open the submenu.
- Turn the volume control ④ to change between the settings.

PTY LANG (only for reception area EUROPE)

Select the language for the display of the programme types. Settings: ENGLISH, DEUTSCH (German), FRANCAIS (French).

- Press the > button ⑦ to open the submenu.
- Turn the volume control ④ to select a language.



User settings

AREA (reception area)

Select the reception area for the radio reception. Settings: EUROPE, USA, S-AMERICA, THAILAND.

- Press the > button ⑦ to open the submenu.
- Press the ▼ / ▲ button ⑦ to select a reception area.
- Press the > button ⑦ to set the reception area.
- Press the > button ⑦ to confirm the selected reception area.

Making settings in the "DISPLAY" menu

DIM DAY/DIM NIGHT

Setting the display brightness for the day (DIM DAY) or the night (DIM NIGHT). Settings: 1 – 16.

- Press the > button ⑦ to open the submenu.
- Turn the volume control ④ to perform the setting.

If your car sound system is installed as described in the installation instructions and your vehicle features the corresponding connection, the display brightness for day and night is switched by switching the vehicle lighting on or off.

SCROLL

Select the display of scrolling text (e.g. when displaying MP3 file names) either as single display or continued display. Settings: X1 (single display), ON (continued display).

- Press the > button ⑦ to open the submenu.
- Turn the volume control ④ to change between the settings.

Making settings in the "VOLUME" menu

ON VOLUME

Setting the power-on volume. Settings: 1 – 45.

- Press the > button ⑦ to open the submenu.
- Turn the volume control ④ to set the desired power-on volume.

LAST VOL

If you select the setting LAST VOL, every time you switch on the radio, the volume level that was set the last time you switched the radio off is activated again. Settings: ON, OFF.



Danger! High volume

The power-on volume can be unexpectedly high if the LAST VOL setting is selected and a high volume was set the last time the radio was switched off.

Always set the device to a moderate volume.

- Press the > button ⑦ to open the submenu.
- Turn the volume control ④ to change between the settings.

TA VOLUME (only for reception area EUROPE)

Setting the minimum volume for traffic announcements. Settings: 1 – 40.

- Press the > button ⑦ to open the submenu.
- Turn the volume control ④ to perform the setting.

TEL VOL (Professional, only with connected cell phone)

Adjust minimum hands-free volume. Settings: 1 – 40.

- Press the > button ⑦ to open the submenu.
- Turn the volume control ④ to perform the setting.

Note:

During the call, you can adjust the volume with the volume control ④.

BEEP

Switching the confirmation beep on or off. Settings: ON, OFF.

- Press the > button ④ to open the submenu.
- Turn the volume control ④ to perform the setting.





Making settings in the "VARIOUS" menu

SCAN TIME

Setting the scan time in 5-second increments. Settings: 5 – 30.

- Press the > button ⑦ to open the submenu.
- Turn the volume control ④ to perform the setting.

BROWSE

Switching fast track selection in browse mode on or off using the volume control ④. Settings: ON, OFF.

- Press the > button ⑦ to open the submenu.
- Turn the volume control ④ to perform the setting.

SEC CODE

Switching the code query on or off. Settings: ON, OFF.

- Press the > button ⑦ to open the submenu.
- Turn the volume control ④ to perform the setting.

CODE SET

The default setting of the code number is "0000". This code number can be changed.

- Press the > button ⑦ to open the entry menu. The display shows the currently stored code number:
- Turn the volume control ④ to select a digit for the respective position.
- Press the > or < button ⑦ to reach the next or previous position.

Note:

While entering the code number, you cannot change the volume of the car sound system.

NORMSET

Restoring the original factory settings of the car sound system.

- Press the > button ④ to open the submenu.

- Press the > button ④ to confirm restoring the factory settings.

The car sound system switches off and is reset to the factory settings.

Factory settings

Important factory settings in the user menu:

Menu item	Factory setting
AREA	EUROPE
FM1 / FM2 / FMT	ON
MW*	OFF
LW*	OFF
AM** / AMT**	OFF
SW	OFF
RDS	ON
REGIONAL*	OFF
TRAFFIC*	OFF
SEEK SENS	HI6
PTY	OFF
ON VOLUME	30
LAST VOL	ON
TA VOLUME*	30
TEL VOLUME***	30
BEEP	ON
BROWSE	ON
SCAN	10
SCROLL	X1
SEC CODE	OFF

* Only in reception area "EUROPE"

** Only in reception areas "USA", "S-AMERICA" and "THAILAND"

***Professional Only

In the user menu, you can restore the original factory settings of the car sound system (see the chapter "User settings", section "Making settings in the "VARIOUS" menu", menu item "NORMSET").





Useful information | Technical data

Useful information

Warranty

We provide a manufacturer's warranty for products bought within the European Union. For devices purchased outside the European Union, the warranty terms issued by our respective responsible domestic agency are valid. The warranty terms can be called up from www.blaupunkt.com.

Service

In some countries, Blaupunkt offers a repair and pick-up service.

Information about the availability of this service in your country can be found at www.blaupunkt.com.

If you want to take advantage of this service, you may request a pick-up service for your car sound system via the Internet.

Technical data

Voltage supply

Operating voltage: 10.8 – 15.6 V

Current consumption

In operation: < 10 A

10 sec. after switch-off: < 2 mA)

Amplifier

Output power: 4 x 20 watts sine at 14.4 V at 4 ohms at 10 % THD.

4 x 45 watts max. power

Tuner

Wavebands in Europe/Thailand:

FM: 87.5 – 108 MHz

AM (MW): 531 – 1,602 kHz

LW (Europe only): 153 – 279 kHz

SW: 3,900 – 4,000 kHz
5,850 – 6,300 kHz
7,100 – 7,500 kHz
9,300 – 9,990 kHz

Wavebands in the US:

FM: 87.7 – 107.9 MHz

AM (MW): 530 – 1,710 kHz

SW: 3,900– 4,000 kHz
5,850 – 6,300 kHz
7,100 – 7,500 kHz
9,300 – 9,990 kHz

Wavebands in South America:

FM: 87.5 – 107.9 MHz

AM (MW): 530 – 1,710 kHz

SW: 3,900 – 4,000 kHz
5,850 – 6,300 kHz
7,100 – 7,500 kHz
9,300 – 9,990 kHz

FM frequency response: 30 – 15,000 Hz ± 3 dB

CD

Frequency range: 20 – 20,000 Hz ± 1 dB

Pre-amp out

2 channels: 2 V at THD < 1 %

Input sensitivity

Front AUX-IN: 300 mV / 10 kΩ

Dimensions and weight

W x H x D:

Professional: 178 x 51 x 165 mm

Basic: 178 x 51 x 110 mm

Weight:

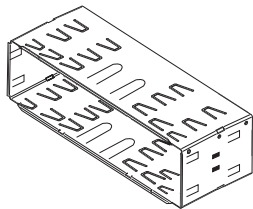
Professional: 1.30 kg

Basic: 0.65 kg

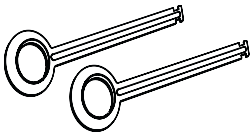
Subject to changes



Supplied mounting hardware
Mitgelieferte Montage- und Anschlussteile
Materiel de montage fourni
Elementos de fixação fornecidos
Ferretería de montaje suministrada
Componenti di fissaggio comprese nella fornitura
Meegeleverde montagematerialen
Medleverede monterings- og tilslutningsdele
Medföljande monteringsdetaljer
Toimitukseen kuuluvat asennus- ja kytkentäosat
Dołączone części montażowe i połączeniowe
A csomag részét képező szerelőkeret
Поставляемые в комплекте компоненты для установки и подсоединения
Přiložené montážní díly a přípojně svorky
Dodávané montážne a pripojovacie dielce



Support frame

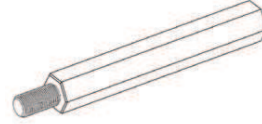


Disassembly tools



Guide pin

Basic only

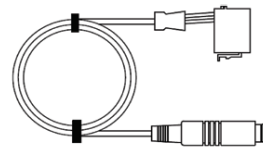


Distance bolt

Professional only



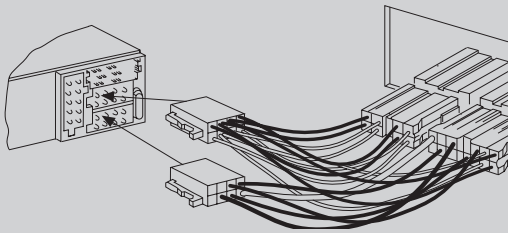
Microphone



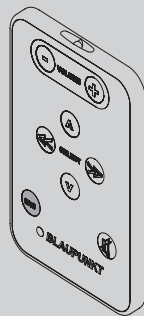
Microphone adapter cable



Available as an optional accessory
Als Sonderzubehör erhältlich
Disponibile en option
Disponíveis como acessórios opcionais
De venta como accesorios especiales
Reperibili come accessori extra
Als speciale accessoire verkrijgbaar
Fås som specialtilbehør
Tillval
Saatavana lisätarvikkeena
Dostępne jako wyposażenie dodatkowe
Kiegészítő tartozékként beszerezhető
Поставляется как дополнительная принадлежность
Jako zvláštní příslušenství můžete obdržet
Ako osobitné príslušenstvo dostanete

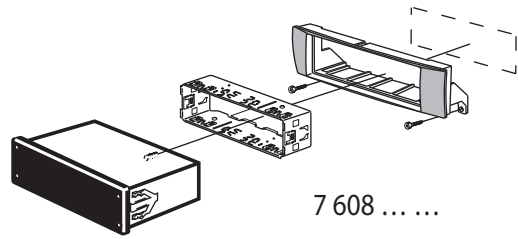


7 607 621 ...



Remote Control RC12H
7 607 100 511 001

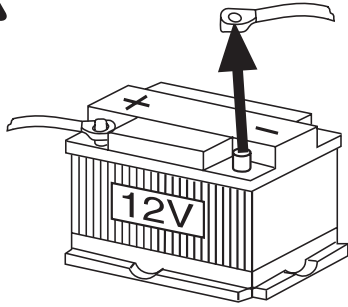
Installation kits • Einbausätze •
Kits de montage • Kits de montagem •
Juegos de montaje • Set di montaggio •
Inbouwsets • Indbygningsæt
Monteringsætser • Asennussarjat •
Zestawy montażowe • Beépítő-készlet •
Установочные комплекты •
Montážní soupravy • Montážne súpravy



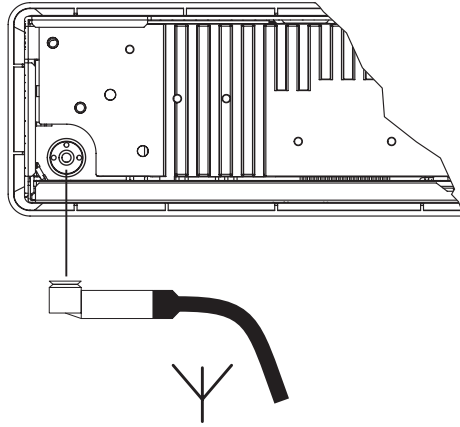
7 608



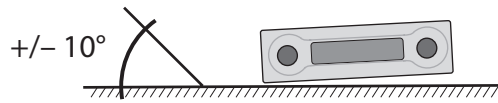
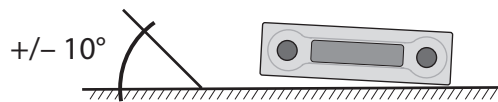
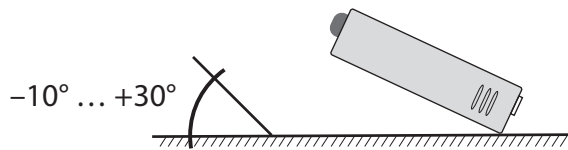
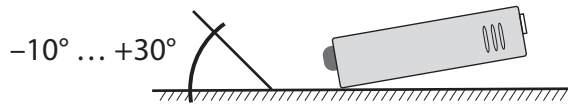
1.



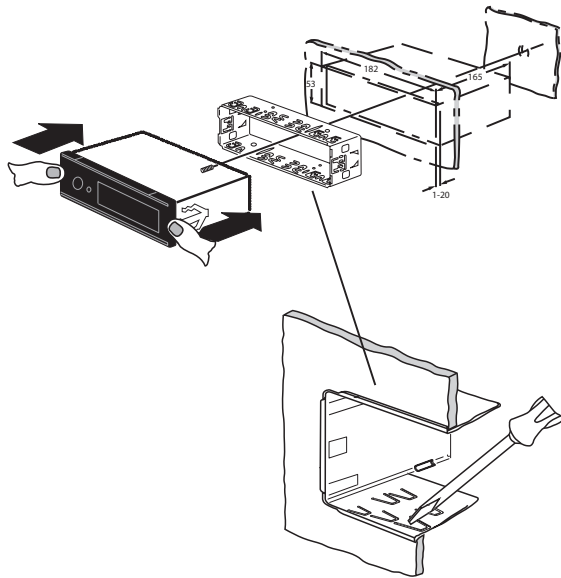
3.



2.



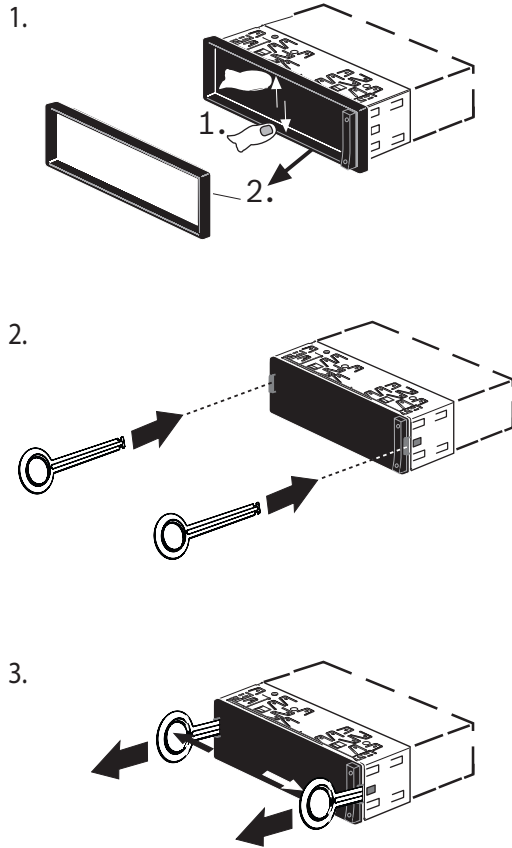
4.



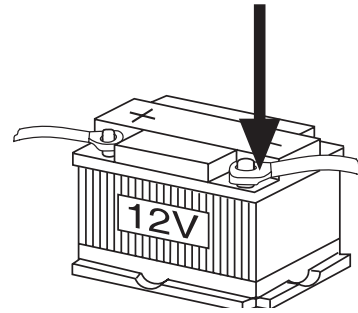


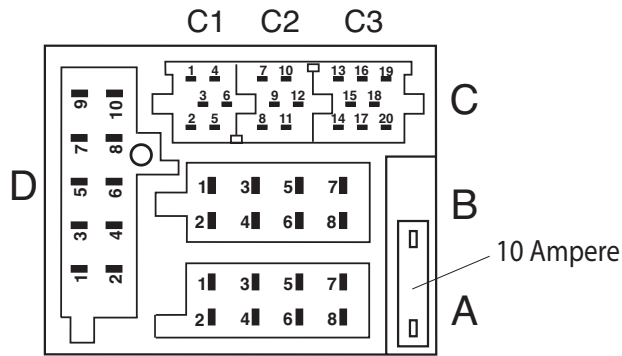
5.

Removal • Ausbau • Démontage •
Desmontagem • Desmontaje • Smontaggio •
Demontage • Udbygning • Urmontering •
Irrotus • Demontaž • Eltávolítás • Демонтаж •
Demontáž • Demontáž



6.





* Aut. antenna +12V
 Amplifier +12V
 Switched Output +12V

Total max. 150 mA

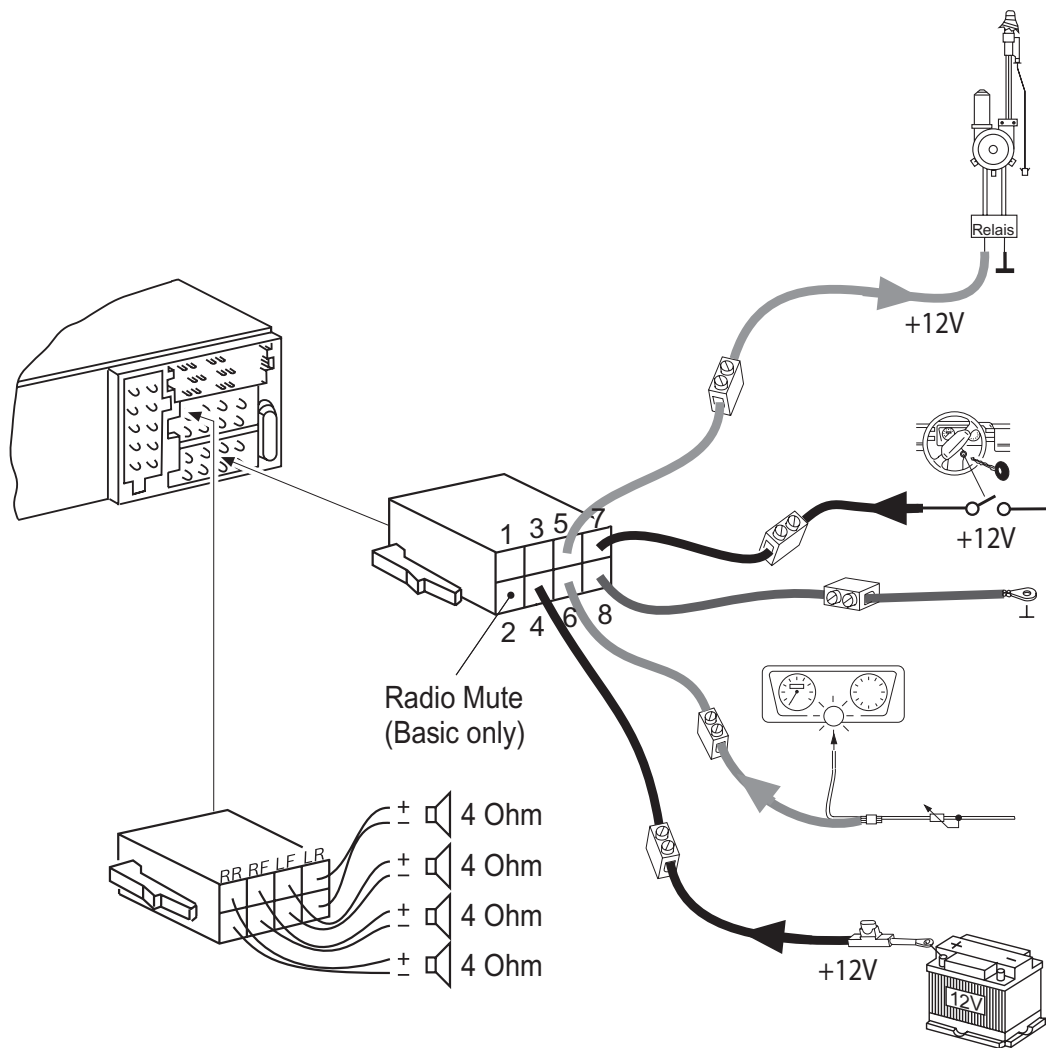
A		B		D	
1	NC	1	Speaker Out RR+	1	NC
2	Radio Mute ¹	2	Speaker Out RR-	2	NC
3	NC	3	Speaker Out RF+	3	NC
4	Permanent +12V	4	Speaker Out RF-	4	NC
5	Aut. antenna +12V *	5	Speaker Out LF+	5	NC
6	Illumination	6	Speaker Out LF-	6	NC
7	Ignition	7	Speaker Out LR+	7	NC
8	Ground	8	Speaker Out LR-	8	NC
				9	Microphone Ground ²
				10	Microphone Input ²

C1		C2		C3	
1	NC	7	NC	13	NC
2	NC	8	NC	14	NC
3	Line Out Ground	9	Radio Mute ¹	15	NC
4	Line Out Left Front	10	Switched Output +12V *	16	NC
5	Line Out Right Front	11	NC	17	NC
6	Amplifier +12V *	12	NC	18	NC
				19	NC
				20	NC

¹ Basic only

² Professional only





Subject to changes! • Änderungen vorbehalten! • Sous réserve de modifications! •
Sob reserva de alterações! • ¡Modificaciones reservadas! • Modifiche riservate! •
Wijzigingen voorbehouden! • Ret til ændringer forbeholdes! • Ändringar förbehålles! •
Oikeus muutoksiin pidätetään! • Zmiany techniczne zastrzeżone! • Változtatás joga fenntartva! •
Возможно внесение изменений! • Změny vyhrazeny! • Zmeny vyhradené!

© 2015 All rights reserved by Blaupunkt. This material may be reproduced, copied or distributed for personal use only.

This product is protected by certain intellectual property rights of Microsoft. Use or distribution of such technology outside of this product is prohibited without a license from Microsoft.



FCC Statement

This device complies with Part 15 of the FCC Rules. Operation is subject to the following two conditions:

- (1) this device may not cause harmful interference, and
- (2) this device must accept any interference received, including interference that may cause undesired operation.

Changes or modifications not expressly approved by the party responsible for compliance could void the user's authority to operate the equipment.

Notes:

- This equipment has been tested and found to comply with the limits for a Class B digital device, pursuant to Part 15 of the FCC Rules. These limits are designed to provide reasonable protection against harmful interference in a residential installation. This equipment generates uses and can radiate radio frequency energy and, if not installed and used in accordance with the instructions, may cause harmful interference to radio communications.

However, there is no guarantee that interference will not occur in a particular installation. If this equipment does cause harmful interference to radio or television reception, which can be determined by turning the equipment off and on, the user is encouraged to try to correct the interference by one or more of the following measures:

- Reorient or relocate the receiving antenna.
- Increase the separation between the equipment and receiver.
- Connect the equipment into an outlet on a circuit different from that to which the receiver is connected.
- Consult the dealer or an experienced radio/TV technician for help.





Blaupunkt Europe GmbH
Robert-Bosch-Straße 200
D-31139 Hildesheim
<http://www.blaupunkt.com>
5 101 000 005

03/15_V5

450 226 – gb, de, fr, pt, es, it, nl, dk, sw, sf, pl, hu, ru, cz, sk

