

**Mobile phone
User Manual
Studio 5.3S**

Mobile phone	1
User Manual	1
Studio 5.3S	1
1 Overview of the phone	6
2 Introduction to usage of the phone	7
2.1 Install and take out the SIM card.....	7
2.1.1 Install the SIM card.....	8
2.2 Switch on and off	8
2.2.1 Switch on.....	8
2.2.2 Switch off.....	9
2.2.3 Password lock	9
3 Call functions	9
3.1 Make a voice call	9
3.2 During a voice call	10
3.2.1 Adjust the volume.....	11
3.2.2 Answer a new call	11
3.2.3 Connect two calls at the same time.....	11
3.2.4 Conference call	12
3.3 Emergency call.....	12
3.4 During a video call	13
4 Contacts.....	14
4.1 Contacts of the phone.....	15
4.2 Contacts of the SIM Card.....	16
5 Text messages and multimedia messages.....	16
5.1 Create and send a short message (SMS).....	16
5.2 Create and send a multimedia message (MMS)	17

5.3 Message setup:	18
6 Settings	18
6.1 Wireless & networks	19
6.1.1 Airplane mode.....	19
6.1.2 WLAN and Settings	19
6.1.3 Bluetooth and settings.....	19
6.1.4 Virtual private network settings	19
6.1.5 Mobile networks	19
6.2 Call settings.....	19
6.2.1 Fixed dialling.....	20
6.2.2 Video call.....	20
6.2.3 Voice mail.....	20
6.3 Sound and display (ringer mode)	21
6.3.1 Start ringer mode	21
6.3.2 Customized ringer mode.....	21
6.4 Location and security	22
6.4.1 My location.....	22
6.4.2 Screen unlock picture.....	22
6.4.3 SIM card locking.....	22
6.4.4 Password	23
6.4.5 Credential storage	23
6.5 Applications	23
6.6 Account & Sync	24
6.6.1 General sync settings.....	24
6.6.2 Account management.....	24
6.8 SD Card and Memory of the Phone	24
6.8.1 SD Card.....	24
6.8.2 Memory of the phone	24
6.9 Search.....	24

6.9.1 Web page search	24
6.9.2 Rapid search box	25
6.10 Date and Time	25
6.11 About the phone	25
7 Ringer mode.....	25
7.1 Start ringer mode.....	25
7.2 Customized ringer mode.....	26
8 Browser	27
8.1 Start the browser.....	27
8.2 Open a web page	27
8.3 Basic functions of the browser	27
8.3.1 Create a new window	27
8.3.2 Bookmark	28
8.3.3 Window.....	28
8.3.4 Forward	28
8.3.5 Backward	28
8.3.6 More.....	28
9 Applications.....	29
9.1 Photo camera and video camera	29
9.1.1 Photo camera	29
9.1.2 Video camera	30
9.2 Image library	30
9.3 Music.....	31
9.3.1 Music play	31
9.4 Video	31
9.5 Voice recorder	32
9.6 Clock.....	33
9.6.1 Alarm settings.....	33

9.6.2 World time.....	33
9.6.3 Stopwatch.....	33
9.6.4 Countdown.....	34
10 Connection	34
10.1 USB mode	34
10.2 Access to Internet via GPRS.....	34

1 Overview of the phone





2 Introduction to usage of the phone

2.1 Install and take out the SIM card

Please firstly install the SIM card before using your phone and read through the note below when using the SIM card.

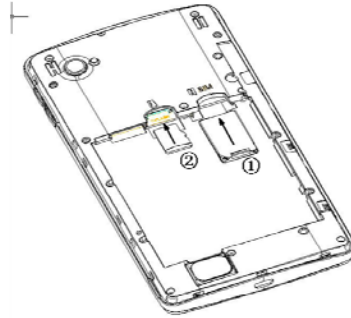
Note:

Please keep the SIM card out of the reach of children. The SIM card and its exposed electrode are easy to be damaged due to scratching or bending. Please be cautious when carrying, installing the taking out the SIM card.

2.1.1 Install the SIM card

To insert SIM card(s):

1. Switch off the mobile phone and remove the rear cover and battery. Insert the SIM card as the step one .
2. Insert the TF card correctly as step second .



3. Finally insert the battery and replace the rear cover of the mobile phone.

2.2 Switch on and off

2.2.1 Switch on

Please confirm the SIM card has been properly inserted into the phone.

When the phone is off, press the ON/OFF key to switch on the phone which then enters into standby state.

2.2.2 Switch off

In standby mode, a long press on ON/OFF key will call up the options menu. Select OFF in the menu and “Confirm” in the pop-up OFF prompt to switch off the phone.

2.2.3 Password lock

To switch on the phone, if you set the screen unlock picture, PIN code lock to ON, you are required to input the corresponding password for unlocking each time. See “Location and security setup” for the details of locking of the password locks, password revision and other functions.

3 Call functions

3.1 Make a voice call

Several dialing modes are available for this phone: direct dialing, making a call from call log, from contact list and from SIM card.

Direct dialing: click the Dial icon in standby interface to enter into the analog keyboard interface and directly dial the number;

Make a call from call log: click the Dial icon in standby interface to enter into the analog keyboard interface, go into the call log from the tab, and select the number from the call log for dialing;

Make a call from contact list: go into the contact list from the main menu or dialing interface, and select the number for dialing;

Make a call from SIM card: in analog keyboard interface, click the number keys and then #, the number in the corresponding location of the SIM card will automatically show up and can be dialed directly;

3.2 During a voice call

During a voice call, press the shortcut button on the screen to complete the following functions:

Mute: close the calling volume at the moment, now you can hear the person you are talking to, but he/she can not hear you.

Dialing keyboard: enter into the dialing keyboard interface;

Handfree: after switching to handfree mode, the current calling voice is played on the loudspeaker;

Add a call: make a second call at the same time; After inputting the corresponding number, press **Dial Key** to make a call;

Waiting: hold the current call, at this time, both sides cannot hear each other;

Bluetooth: after the Bluetooth earphone is connected, switching to Bluetooth earphone during a call is allowed;

Hang-up: end a call.

3.2.1 Adjust the volume

During a call, press the Upper Direction Key or Lower Direction Key on the side to turn up or down the volume of the receiver.

3.2.2 Answer a new call

If the call waiting function of your phone is enabled and there is a new call during a call, a prompt interface indicating the new call will show on your phone. You can make the Answer Key slide rightward to answer the new phone while the previous call will be held; if you do not want to answer the new call, you can click Refuse Key to hang up the call by leftward sliding.

3.2.3 Connect two calls at the same time

After two calls are connected, press the shortcut button on the screen to realize the following functions:

Exchange: activate/hold the current call, both sides cannot hear each other during holding;

Hang up: end the current call;

Mute: close the calling volume at the moment;

Dialing keyboard: enter into the dialing keyboard interface;

Handfree: after switching to handfree mode, the current calling voice is played on the loudspeaker;

Merge calls: with this function, it is possible to make a

conference call with several persons and make a separated call with a designated participant;

Bluetooth: after the Bluetooth earphone is connected, switching to Bluetooth earphone during a call is allowed.

3.2.4 Conference call

During a conference call, press the shortcut button on the screen to realize the following functions:

Waiting: hold the current call, the participants of the conference call cannot hear each other at this time;

Mute: close the calling volume at the moment;

Dialling keyboard: enter into the dialling keyboard interface;

Hands free: after switching to hands free mode, the current calling voice is played on the loudspeaker;

Add a call: make a new call or dial an extension;

Management: view the list of the conference members;

Bluetooth: after the Bluetooth earphone is connected, switching to Bluetooth earphone during a call is allowed;

Hang-up: end a call.

3.3 Emergency call

In the country where WCDMA, GSM and TD-SCDMA network are available, if your phone is within the network

coverage, you can call the emergency service at any time even without a SIM card and USIM card.

Due to the influence of network, environment and interference, the emergency call may not be dialled sometimes.

3.4 During a video call

During a video call, press the shortcut button on the screen to perform the following operations:

Switch the front and the back cameras: realize the switching between the front and the back cameras;

Mute: close the calling volume at the moment;

Dialling keyboard: enter into the dialling keyboard interface;

Hands free: after switching to hands free mode, the current calling voice is played on the loudspeaker;

Disable a video: turn off the camera;

Disable local display: the local images will be closed;

Far-near exchange: the locations of far and near pictures will be exchanged;

Bluetooth: after the Bluetooth earphone is connected, switching to Bluetooth earphone during a call is allowed;

Hang-up: end a call.

4 Contacts

You can manage the contact information in the phone and the SIM card from the contact list, and make operations such as dialling a contact, sending a message to a contact and sharing a contact.

You can perform the following operations in contact interface:

View a contact in the phone or the SIM card: click a contact in the phone or the SIM card to enter into the contact and view the details of the contact;

Create a contact: create a contact into the phone or the SIM card;

Search a contact: input the first letter of a contact to search the related contacts;

Select groups: select to display the phone contacts or the SIM card contacts;

Delete: delete one or several contacts;

Import/Export: share the contacts with the email or Bluetooth, or duplicate the contacts to the phone or the SIM card, or import and export the contacts from a SD card.

Manage groups: add a new group;

Display tab: it is possible to select to display the contacts

with phone number only.

4.1 Contacts of the phone

A long press on a contact in the phone can call up a menu to perform the following operations:

View a contact, call a contact, make a video call to a contact, send a message to a contact, add to favorites, edit a contact, share and duplicate to the SIM card.

Among these, the following are included by editing a contact:

Contact image: you can select a picture as the contact image;

First name and last name: add the first name and last name of a contact;

Phone number: add several phone numbers;

Email: add several email addresses;

Instant message: add several different instant messages;

Postal address: add several postal addresses;

Organization: add several organizations;

Remarks: add one remark or several remarks for a contact;

Nickname: add one nickname or several nicknames for a contact;

Website: add one website or several websites for a contact.

4.2 Contacts of the SIM Card

A long press on a contact in the SIM card can call up a menu to perform the following operations:

View a contact, call a contact, make a video call to a contact, send a message to a contact, edit a contact, share and duplicate to the phone.

Among these, the following are included by editing a contact:

Name: add the contact name;

Phone number: add no more than two phone numbers;

Email: one email address can be added only.

5Text messages and multimedia

messages

You can send a short message (SMS) and a multimedia message (MMS) to other terminals in the message option.

5.1 Create and send a short message (SMS)

In message interface, click new message (create a new message) and input the number in the receiver. During inputting, the matching contact may be automatically

displayed under the receiver. Continue input or select the contact displayed or click the contact list icon on the right to select the corresponding one.

Input the textual contents in the input box below, and click the Send button on the right after inputting to send the short message (SMS).

5.2 Create and send a multimedia message (MMS)

In message interface, click new message (create a new message) and input the number in the receiver. During inputting, the matching contact may be automatically displayed under the receiver. Continue input or select the contact displayed or click the contact list icon on the right to select the corresponding one.

In the menu, select to add a subject or an attachment, wherein pictures, video & audio episodes and slides can be inserted into the attachment, textual contents can be input in the input box. After completion, click the Send button on the right to send the multimedia message (MMS).

5.3 Message setup:

Storage setup: set the number of short messages (SMS) and multimedia messages (MMS) capable being stored, and automatic deletion of old messages when reaching the upper limit of the number.

Short message (SMS) setup: set the short message sending report, edit the short message center phone number and manage the short messages in the SIM card.

Multimedia (MMS) setup: set the report sending, report as read, automatic search and automatic retrieval for roaming access.

Notice setup: select to display Notice in status bar and Notice tone.

6 Settings

You can change the settings of various functions of the phone in Settings, including wireless & networks, call settings, sound & display, location & security, Applications, account & sync, privacy, SD card and memory, search, language & keyboard, date & time and about the phone.

6.1 Wireless & networks

The phone shall be set according to the network service state, including:

6.1.1 Airplane mode

With airplane mode enabled, the phone will stop all wireless connections.

6.1.2 WLAN and Settings

Open WLAN, set and manage wireless access points.

6.1.3 Bluetooth and settings

Active the Bluetooth, manage the connection, device name and detectability.

6.1.4 Virtual private network settings

Add the virtual private network.

6.1.5 Mobile networks

Set data roaming and access point name, and select the operator, set to use 2G networks only or 3G networks only.

6.2 Call settings

Call settings include: fixed dialling, video call, voice mail and other call settings.

6.2.1 Fixed dialling

Fixed dialling enabled user can dial several phone numbers with active fixed dialling. The number without fixed dialling setting cannot be dialled. Enter into fixed dialling, select to enable the function, then you are required to input PIN2 (provided by the operator) to enable the fixed dialling function. (If having been activated, select Disable to disable fixed dialling function.) To set the contact list for fixed dialling in the fixed dial list, enter into the fixed dialling list, and then add or delete a contact.

Caution:

The quantity for phone numbers capable of being set for fixed dialling is subject to the operator.

6.2.2 Video call

In video call settings, the picture that the user displays can be set.

6.2.3 Voice mail

Set voice mail number.

Caution:

Voice mail service can be used only after this function is enabled by the service supplier upon your application for it.

6.3 Sound and display (ringer mode)

Ringer mode is a group of preset specific definitions for the convenience of rapid start-up. The phone provides a group of default modes, including: normal mode, outdoor mode, vibration mode, quiet mode and airplane mode. Each mode is provided with a set of default values. The user can modify and save them in the mode as desired (excluding quiet mode and airplane mode).

6.3.1 Start ringer mode

After selecting the operating mode required by clicking, the phone will be set and work in strict accordance with the mode selected.

6.3.2 Customized ringer mode

The user may conduct customized settings to various parameters in each mode of the phone, including the following options:

Ringing volume: set the volume of incoming calls and notices;

Media volume: set the volume of music and video;

Tone of the phone: set the default tone for incoming calls;

Vibration for incoming calls: set to vibrate when a call comes;

Notice tone: set the default tone for notices;

Flashing notice indicator: when receiving a new notice, the tracking indicator will flash;

Key beep: set to play key sound when using dialling keyboard;

Select beep: set to play sound when selecting options on the screen;

Touch response: set to vibrate when pressing the soft key and performing some UI interactions;

SD card notice: set to inform the sound effect when playing the SD card.

Direction: set to automatically change the display direction when turning the phone;

Animation: set the window animation of display part;

Brightness: regulate the screen brightness;

Screen standby: the delay before screen adjustment and automatic locking.

6.4 Location and security

6.4.1 My location

Use wireless network: view the location in the Applications via a wireless network.

Use **GPS satellite**: when positioning, the accuracy is set to street level.

6.4.2 Screen unlock picture

After an unlock picture is enabled, the phone can be unlocked by inputting the picture drawn so as to protect your privacy. The picture can be changed or deleted.

6.4.3 SIM card locking

Lock SIM card: when the SIM card is locked, you are required to input PIN to enter into the system.

Change the PIN of the SIM card: with this function, you are

allowed to change the PIN of the SIM card.

6.4.4 Password

Password visible: set to be visible when inputting password.

6.4.5 Credential storage

Use security credential: allow the Applications to visit the security credentials and other credentials;

Install from the SD card: install the encrypted certificate;

Password setup: set or change credential storage password;

Delete the storage: delete the credential storage of all contents and reset the password.

6.5 Applications

Unknown source: set to install the Applications from non-electronic market or not;

Manage Applications: manage and delete the Applications installed;

Running service: view and delete the Applications installed;

Development: set the development options of the Applications.

6.6 Account & Sync

6.6.1 General sync settings

Background data: after setup, the Applications can synchronize, send and receive data at any time;

Automatic sync: after setup, the Application will automatically synchronize the data.

6.6.2 Account management

Allow to add exchange account and synchronization

6.8 SD Card and Memory of the Phone

6.8.1 SD Card

Allow to inquire the total capacity and space available of the SD card, or uninstall and format the SD card.

6.8.2 Memory of the phone

Allow to inquire the space available in the memory.

6.9 Search

6.9.1 Web page search

Allow to display Google recommendations when setting search input.

6.9.2 Rapid search box

Select to search the contents capable of being found in the phone.

6.10 Date and Time

Allow to select network time procured automatically or manually set date and time. Allow 24H format display.

6.11 About the phone

This option further includes phone status (phone number, state, etc.), power consumption condition, legal information, model, firmware version, baseband version, kernel version and version number.

7 Ringer mode

Ringer mode is a group of preset specific definitions for the convenience of rapid start-up. The phone provides a group of default modes, including: normal mode, outdoor mode, vibration mode, quiet mode and airplane mode. Each mode is provided with a set of default values. The user can modify and save them in the mode as desired (excluding quiet mode and airplane mode).

7.1 Start ringer mode

After selecting the operating mode required by clicking, the

phone will be set and work in strict accordance with the mode selected.

7.2 Customized ringer mode

The user may enter into the Sound & Display in the Settings, conduct customized settings to various parameters in each mode of the phone, including the following options:

Ringing volume: set the volume of incoming calls and notices;

Media volume: set the volume of music and video;

Tone of the phone: set the default tone for incoming calls;

Vibration for incoming calls: set to vibrate in case of an incoming call;

Notice tone: set the default tone for notices;

Flashing notice indicator: when receiving a new notice, the tracking indicator will flash;

Key beep: set to play key sound when using dialing keyboard;

Select beep: set to play sound when selecting options on the screen;

Touch response: set to vibrate when pressing the soft key and performing some UI interactions;

SD card notice: set to inform the sound effect when playing the SD card.

Direction: set to automatically change the display direction when turning the phone;

Animation: set the window animation of display part;

Brightness: regulate the screen brightness;

Screen standby: the delay before screen adjustment and automatic locking.

8 Browser

With the browser, the connection of the phone to Internet is realized by access to 3G, GPRS or WLAN access.

8.1 Start the browser

Directly click the icon on the main menu to enter into the home page of the browser or click URL from Messages or Records to directly enter into the browser.

8.2 Open a web page

Input the website in the website input box. The matching website may be displayed below the input box during inputting. At this time, keep inputting or select the website below and click To, to open the website.

Or enter into the page from the URL of the text files.

8.3 Basic functions of the browser

8.3.1 Create a new window

Create one or several browse windows.

8.3.2 Bookmark

Bookmark: include bookmark name and thumbnail; click it to enter into the website.

Most visit: put the websites in order of the most visits, click the website for access.

Visit records: record the websites visited by the browser, click a website for access.

8.3.3 Window

Enter into the window to visit the currently opened page or create a new window.

8.3.4 Forward

When back to the previous page, click "Forward" to return to the next page.

8.3.5 Backward

Click "Forward" in the current page to return to the previous page.

8.3.6 More

In More option, multiple functions can be realized, including: add bookmark, find on the page, select text, page information, share the page, download and settings.

The settings further include web page content setup, privacy setup, security setup and advanced setup, specifically as

below:

Web page content setup: in this setup, you can set font size, zoom, web page overview mode, character coding, pop-up window setup, picture display, page regulation, transverse display, JavaScript setup, plug-in setup, window setup and home page setup.

Privacy setup: clear the buffer, viewing records, cookies received and all cookie data, remember and clear form data, start location information function and cancel location information visit authority.

Security setup: remember and clear the password, and display safety notes.

Advanced setup: default setup for website setup and reset.

9 Applications

9.1 Photo camera and video camera

With the camera, you can take a photo or a short film and share it with others by Share function.

9.1.1 Photo camera

Click Camera key in main menu or press and hold the camera key to enter into the view finding interface. Press Shoot key to take a photo, and click the thumbnail on the top right to preview the previous photo taken.

In preview interface, slide the left bar or press menu key to call up the camera setup interface, specifically as below:

View finding types: auto type and night scene type available;

Color effects: achromatic, monochromatic, brown and negative film available;

Storage location information: when selecting ON in storage location, the specific location of the photos can be recorded, otherwise the location may not be saved.

Photo size: 2.0 and 3.0 Mega Pixel available;

Photo quality: super fine, fine and normal types available;

Camera lens: use the front lens or back lens for photo taking;

9.1.2 Video camera

Click video camera key in main menu or press and hold the camera key to switch to the video camera, and then enter into the video camera view finding interface. Press Shoot key to take a short film, and click the thumbnail on the top right to preview the previous short film.

In preview interface, slide the right bar or press menu key to call up the video camera setup interface, specifically as below:

Video quality: low quality or high quality available, the former suitable for multimedia messages, the latter suitable for SD card.

Video duration: including 60 seconds (for multimedia messages), 10 minutes, 30 minutes and 60 minutes;

Color effects: achromatic, monochromatic, brown and negative film available.

9.2 Image library

Enter into the image library from photo camera or video camera, and then delete or share the picture or video selected. You can share them by means of Email, Bluetooth or Messages. You can also directly forward to the photo or video view finding interface for shooting.

The image library also has Camera Settings function, specifically as below:

Normal setup: set the display size, storage order of the photos and videos, and display confirmation information before deleting a photo or video.

Slides playing setup: set playing interval, switching effect, whether to repeatedly play slides and whether to randomly play slides.

9.3 Music

Go into Music from the menu, four modules are displayed: artist, album, song and play list, wherein, press Menu in artist and album modules to select Party Shuffle Play or All Shuffle Play, or select All Play, Party Shuffle Play or All Shuffle Play in song module, or select Party Shuffle Play (the only play mode) in play list.

9.3.1 Music play

In Play interface, select to enter into Play List, Shuffle Play and Repeated Play. A long press on Artist, Album name or Song name to call up the search option. The related information can be searched locally or on Internet. Previous, Pause, Next buttons in the interface can be selected for switching.

In Play interface, press Menu key to call up Music Library, Party Shuffle Play, Add to Play List, Use as Tone and Delete.

9.4 Video

Find the video file in My Favorite, and click Play to automatically play them in landscape mode. Gently touch the screen to show Play Progress, Play/Pause, Previous and

Next.

Caution: streaming media can be played in the same way as video window playing and in automatic landscape mode.

9.5 Voice recorder

With voice recorder, you can turn on the recorder to record the calling contents during a call or record the ambient sounds. Recording files are saved in .amr. You can set a recording file as your tone.

Go into recorder window. Directly click Record key to begin recording. At this time, the upper of the screen will display the recording time, click Stop key to stop recording. A prompt on the top left shows the information has been recorded. Click the record list key on the right, and select the recordings for playing. Then the Play Progress Bar, Pause/Stop, Previous and Next buttons will appear at the bottom.

You can also send an audio file to other terminals by means of sharing through Email, Bluetooth and Messages.

9.6 Clock

Set to hide or display the clock in Clock interface.

The Clock includes alarm, world time, stopwatch and countdown.

9.6.1 Alarm settings

Several alarms are available for this phone. You can set them to ON or OFF respectively.

Select an alarm to enter into the status display of the alarm, and view the specific settings of the alarm.

Time: enter into time setting window to set the alarming time;

Tone: set the alarming tone;

Vibration: set to vibrate or not during alarming;

Repeat: select to alarm every day From Monday to Sunday or not;

Label: input a reminder so that it appears when alarming.

9.6.2 World time

World Time provides great convenience to the people who traipse back and forth across the world.

Enter into World Time interface and then add or reduce the concerned countries as required.

9.6.3 Stopwatch

After selecting Stopwatch, the screen shows stopwatch

interface.

The starting time is 0. You can select respective timing and circle timing. Click Begin icon to begin timing. During timing, click time/circle recording key, then the stopwatch can keep timing for multiple times continuously. Click Stop key to stop timing. After resetting, click Begin key again to re-timing.

9.6.4 Countdown

Countdown is mainly used for reminding at given time.

10 Connection

10.1 USB mode

USB mode: after connecting to the PC via a shielded USB Cable, a prompt indicating "have connected with a computer via USB on the phone end. To duplicate files between the computer and SD card of the phone, please select 'load'." Afterwards, the PC end can read the SD card and perform related operations.

10.2 Access to Internet via GPRS

With GPRS, the user can use the phone to send and receive data via mobile network. In this respect, GPRS is a data transmission way supporting user's wireless access to Internet data network. The applications of transmission

means based on GPRS include WAP, multimedia messages, short messages, Application downloading and GPRS dial-up program (such as Internet and Email).

To use GPRS technology, you shall pay attention to the following:

1. Please ask your network operator or service supplier whether GPRS service is available and how to apply for activate this function;
2. Please store necessary GPRS settings for each application of data transmission mode based on GPRS.

FCC Regulations:

This mobile phone complies with part 15 of the FCC Rules. Operation is subject to the following two conditions: (1) This device may not cause harmful interference, and (2) this device must accept any interference received, including interference that may cause undesired operation.

This mobile phone has been tested and found to comply with the limits for a Class B digital device, pursuant to Part 15 of the FCC Rules. These limits are designed to provide reasonable protection against harmful interference in a residential installation. This equipment generates, uses and can radiated radio frequency energy and, if not installed and used in accordance with the instructions, may cause harmful interference to radio communications. However, there is no guarantee that interference will not occur in a particular

installation If this equipment does cause harmful interference to radio or television reception, which can be determined by turning the equipment off and on, the user is encouraged to try to correct the interference by one or more of the following measures:

- Reorient or relocate the receiving antenna.
- Increase the separation between the equipment and receiver.
- Connect the equipment into an outlet on a circuit different from that to which the receiver is connected.
- Consult the dealer or an experienced radio/TV technician for help.

Caution: Changes or modifications not expressly approved by the party responsible for compliance could void the user's authority to operate the equipment.

RF Exposure Information (SAR)

This phone is designed and manufactured not to exceed the emission limits for exposure to radio frequency (RF) energy set by the Federal Communications Commission of the United States, Industry Canada of Canada.

During SAR testing, this device was set to transmit at its highest certified power level in all tested frequency bands, and placed in positions that simulate RF exposure in usage against the head with no separation, and near the body with the separation of 10 mm. Although the SAR is determined at

the highest certified power level, the actual SAR level of the device while operating can be well below the maximum value. This is because the phone is designed to operate at multiple power levels so as to use only the power required to reach the network. In general, the closer you are to a wireless base station antenna, the lower the power output.

The exposure standard for wireless devices employing a unit of measurement is known as the Specific Absorption Rate, or SAR. The SAR limit set by the FCC is 1.6W/kg, and 1.6W/kg by Industry Canada.

This device is complied with SAR for general population /uncontrolled exposure limits in ANSI/IEEE C95.1-1992 and Canada RSS 102, and had been tested in accordance with the measurement methods and procedures specified in OET Bulletin 65 Supplement C, and Canada RSS 102. This device has been tested, and meets the FCC, IC RF exposure guidelines when tested with the device directly contacted to the body.

The FCC has granted an Equipment Authorization for this model phone with all reported SAR levels evaluated as in compliance with the FCC RF exposure guidelines. SAR information on this model phone is on file with the FCC and can be found under the Display Grant section of www.fcc.gov/oet/ea/fccid after searching on FCC ID: YHLBLUSTUDIO53S.

For this device, the highest reported SAR value for usage

against the head is 0.59 W/kg, for usage near the body is 1.38 W/kg.

While there may be differences between the SAR levels of various phones and at various positions, they all meet the government requirements.

SAR compliance for body-worn operation is based on a separation distance of 10 mm between the unit and the human body. Carry this device at least 10 mm away from your body to ensure RF exposure level compliant or lower to the reported level. To support body-worn operation, choose the belt clips or holsters, which do not contain metallic components, to maintain a separation of 10 mm between this device and your body.

RF exposure compliance with any body-worn accessory, which contains metal, was not tested and certified, and use such body-worn accessory should be avoided.