

BLU VIVO 4.3

User Manual

1. For your safety	3
2. Learn about the phone	4
3. Before using	5
4. Getting started	7
5. Communication	10
6. Multimedia	11
7. Connecting to networks and devices	13
8. Warnings and notes	15

1. For your safety

Read these simple guidelines. Not following them may be dangerous or illegal.



SWITCH OFF IN HOSPITALS

Follow any restrictions. Switch the device off near medical equipment. Do not use the device where blasting is in progress.

Please keep this cell phone away from children, as they could mistake it for a toy, and hurt themselves with it.

Don't try to modify the phone except by the professional.

Warning!

Only use the authorized spare parts, otherwise it may damage the phone and the warranty will not work. And it may be dangerous.



SWITCH OFF WHEN REFUELING

Don't use the phone at a refueling point. Don't use near fuel or chemicals.



SIM CARD AND T-FLASH CARD ARE PORTABLE

Pay attention to these small things to avoid children eating them.

Notice: The T-Flash Card can be used as a Memory Disk, the USB cable is necessary.



BATTERY

Please do not destroy or damage the battery, it can be dangerous and cause fire.

Please do not throw battery in fire, it will be dangerous

When battery cannot be used, put it in the special container.

Do not open the Battery.

If the battery or the charger is broken or old, please stop using them.



USE QUALITY EQUIPMENT

Use our authorized equipment or it will cause dangers



ROAD SAFETY COMES FIRST

Give full attention while driving; Pull off the road or park before using your phone if driving conditions so require.



INTERFERENCE

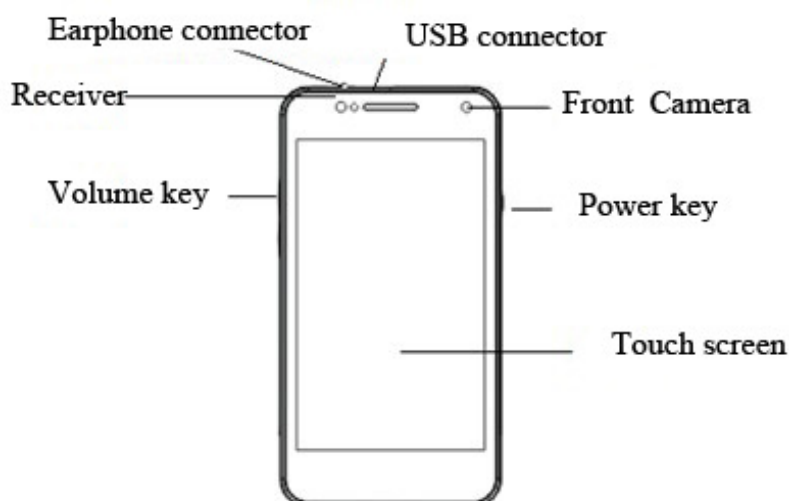
All wireless devices may be susceptible to cause interference, which could affect performance.



SWITCH OFF IN AIRCRAFT

Wireless devices can cause interference in aircraft. It's not only dangerous but also illegal to use mobile phone in an aircraft.

2. Learn about the phone



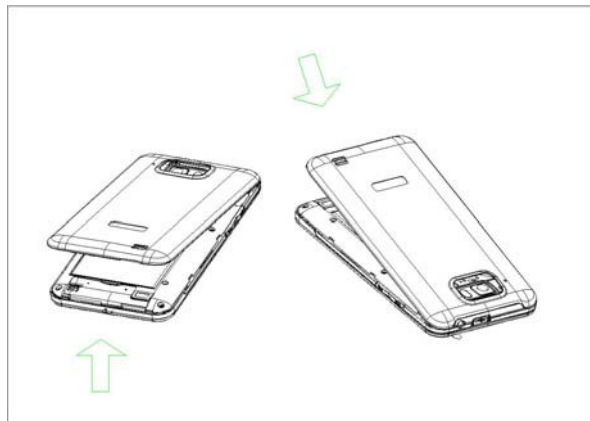
Button	Press	Press & hold
Power key (Right side)	Turns on/off the screen.	Opens a menu with options for airplane mode, / powering off The phone and so on.
Volume Up/Down (Left side)	When a call is in progress, Increases or decrease the call volume, When the phone is ringing, silences the ringer. On the Home screen when no calls in progress, Increase or decreases the ringtone volume, or sets the phone to be silent instead of ringing. In other applications, controls the volume of music, spoken directions, and other audio.	Quickly increasing the ringtone volume to maximum or minimum.

3. Before using

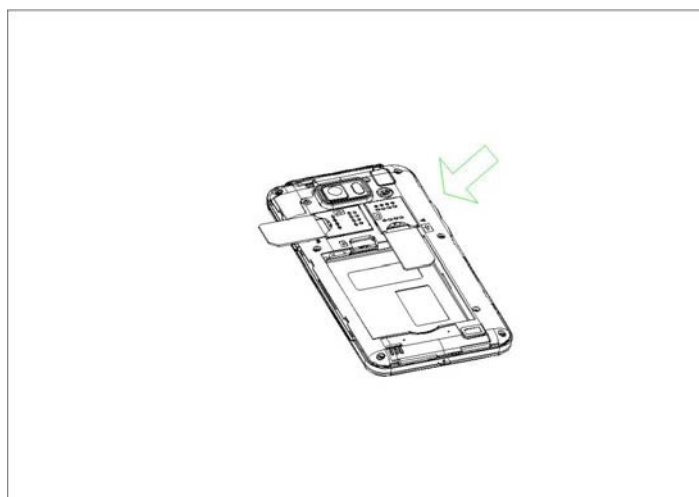
Insert SIM card

The BLU VIVO 4.3 is a Dual SIM mobile phone allowing you to use the facility of two networks. To insert SIM card(s):

1. Switch off the mobile phone and remove the rear cover and battery.



2. Insert the SIM card correctly in the card slot(s)(See figure below).



3. Finally insert the battery and replace the rear cover of the mobile phone.

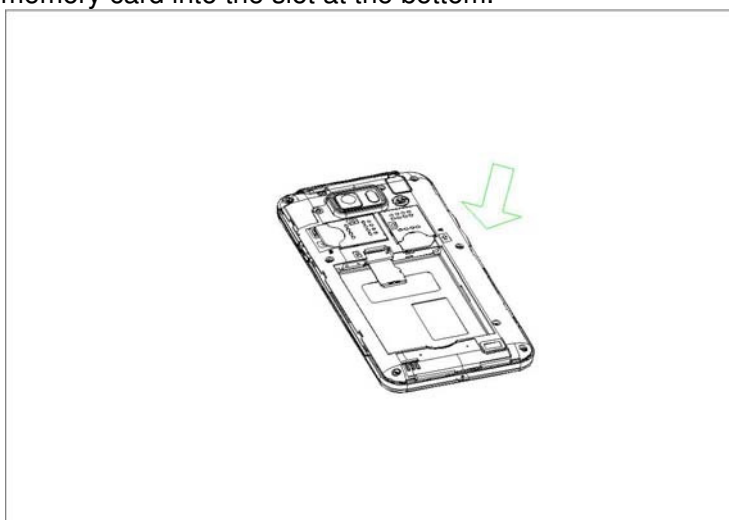
Note: The SIM card is a small object; please keep the card out of the reach of children to avoid swallowing the card by accident. Do not touch the metal surface of the SIM card and keep it away from electromagnetism to avoid loss and damage of the data. You will not be able to connect to the network if the SIM card is damaged.

Insert Memory card

Use only compatible memory cards approved by Our company for use with this device. Incompatible memory cards may damage the card or the device and corrupt the data stored in the card.

To insert the memory card:

1. Power off the mobile phone, then remove the rear cover and battery.
2. Insert the memory card into the slot at the bottom.



3. Finally insert the battery and the rear cover of the mobile phone.

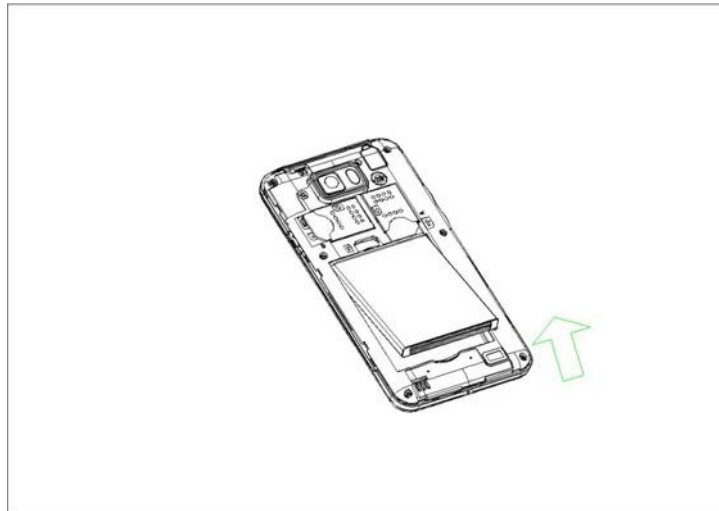
Remove/Insert Battery

You may need to remove the battery to insert SIM cards, Memory card or for replacing the battery.

To insert the battery:

1. Invert the back of the mobile phone upward and then take off the rear cover.

2. Insert the battery as shown in the following figure.



3. Finally place back the rear cover of the mobile phone.

Note: Please use the original-packing battery and accessories.

Charger

1. Connect the charger to the charger jack on the phone.
2. Next connect the charger to a power socket, the charging starts, with the charging icon in an animated state.
3. When the charging icon becomes static, it indicates that the battery is full.
4. Disconnect the charger from the power socket and the phone.

Note: Slight heating during charging is normal. It indicates that the battery is full, when the charging icon becomes static.

4. Getting started

4.1 Turn on/off your phone

- Turn on the phone

Long press the **power key** to start up the cell phone. If you have started up the SIM card 1/2 lock, you have to enter SIM card 1/2 PIN.

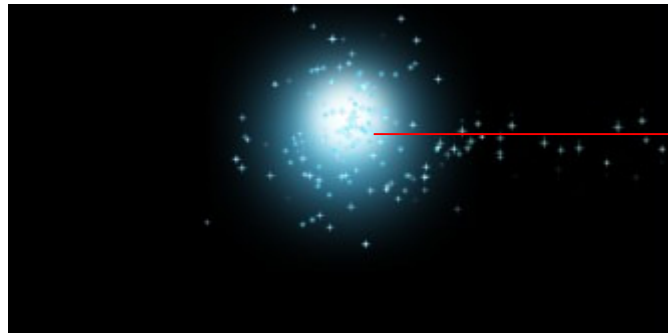
- Turn off the phone

Long press the power key, a context menu will prompt, touch "Power off" to switch off the cell phone.

- To wake up the phone

If you don't use the phone for a while, the Home screen or other screen you are viewing is replaced with the lock screen and then the screen darkens, to conserve the battery.

1. Press the Power button.
2. Drag the lock icon rightward. The last screen you were working on opens.



Drag the lock icon rightward to wake up the phone

4.2 Getting to know the Home screen

The Home screen is your starting point to access all the features on your phone. It displays application icons, widgets, shortcuts, and other features. You can customize the Home screen with different wallpaper and display the items you want.



At the top of the screen, the Status bar displays the time, information about the status of your phone, and icons for notifications that you've received.

Touch the Launcher icon at the bottom of the screen to view all installed applications.

4.3 Using the touch screen

The main way to control Android features is by using your finger to touch icons, buttons, menu items, the onscreen keyboard, and other items on the touch screen.

Touch: To act on items on the screen, such as application and settings icons, to type letters and symbols using the onscreen keyboard, or to press onscreen buttons, you simply touch them with your finger.

Touch & hold: Touch & hold an item on the screen by touching it and not lifting your finger until an action occurs. For example, to open a menu for customizing the Home screen, you touch an empty area on the Home screen until the menu opens.

Drag: Touch & hold an item for a moment and then, without lifting your finger, move your finger on the screen until you reach the target position. You drag items on the Home screen to reposition them and you drag to open the Notification panel.

Swipe or slide: To swipe or slide, you quickly move your finger across the surface of the screen, without pausing when you first touch (so you don't drag an item instead). For example, you slide the screen up or down to scroll a list, and in some Calendar views you swipe quickly across the screen to change the range of time visible.

Double-tap: Tap quickly twice on a webpage, map, or other screen to zoom. For example, you double-tap a section of a webpage in Browser to zoom that section to fit the width of the screen. You can also double-tap to control the Camera zoom, In Maps, and in other applications, Double-tapping after pinching to zoom in some applications, such as browser, reflows a column of text to fit the width of the screen.

Pinch: In some applications (Such as Maps, Browser, and Gallery) you can zoom in and out by placing two fingers on the screen at once and pinching them together (to zoom out) or spreading them apart (to zoom in).

Rotate the screen: On most screens, the orientation of the screen rotates with the phone as you turn it from upright to its slide and back again. You can turn this feature on and off.

4.4 Customizing the Home screen

To add items to the Home screen

1. Open the Home screen where you want to add the item.
2. Press Menu icon and touch Add.

Or just touch & hold an empty location on the Home screen. If there are no empty spots on the Home screen, Add is dimmed; you must delete or move an item before you can add another item, or switch to another Home screen.

3. In the menu that opens, touch the type of item to add.

To move an item on the Home screen

1. Touch & hold the item you want to move, until it vibrates. Don't lift your finger.
2. Drag the item to a new location on the screen. Pause at the edge of the screen to drag the item onto another screen pane.
3. When the item is where you want it, lift your finger.

To remove an item from the Home screen

1. Touch & hold the item you want to remove, until it vibrates. Don't lift your finger. The top of the screen will appear a Trash can icon.
2. Drag the item to the Trash Can icon.
3. When the icon turns red, lift your finger.

4.5 Connect to network

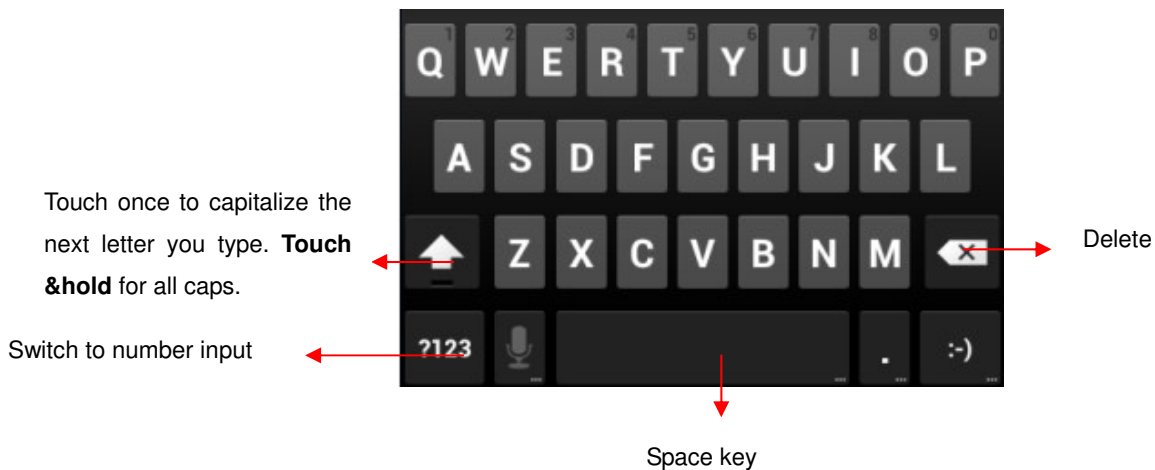
When you assemble your phone with a SIM card from your wireless service provider, your phone is configured to use your provider's mobile networks for voice calls and for transmitting data.

- **Settings--> Dual SIM settings;** the name of the wireless service provider you're currently registered with is selected in the list.

- Click the name of the network provider, you can rename it or set the color for it.
- You can set default SIM for voice call and messaging;

4.6. Input text

You can touch a text field where you want to enter text to open the keyboard.



To enter text

- Touch a text field, the onscreen keyboard opens.
- Touch the keys on the keyboard to type; the characters you've entered appear in a strip above the keyboard. With suggestions for the word you are typing to the right. Press the left or right arrows in the strip to view more suggestions.
- Press space or a punctuation mark to enter the highlighted suggested word. If you touch the space key, the suggestion strip offers a series of punctuation marks you can touch, to replace the space with, or touch another suggested word to enter it.
- Use the Delete key to erase characters to the left of the cursor.
- When you're finished typing, Press Back to close the keyboard.

5. Communication

5.1 Make a call

- * Touch the phone icon on the Home screen or if you're already working with Contacts or the Call log, touch the **Phone** tab.
- * Enter the phone number you want to dial;
- * Touch the phone icon to dial the number that you entered. You can select voice call.



5.2 Messaging

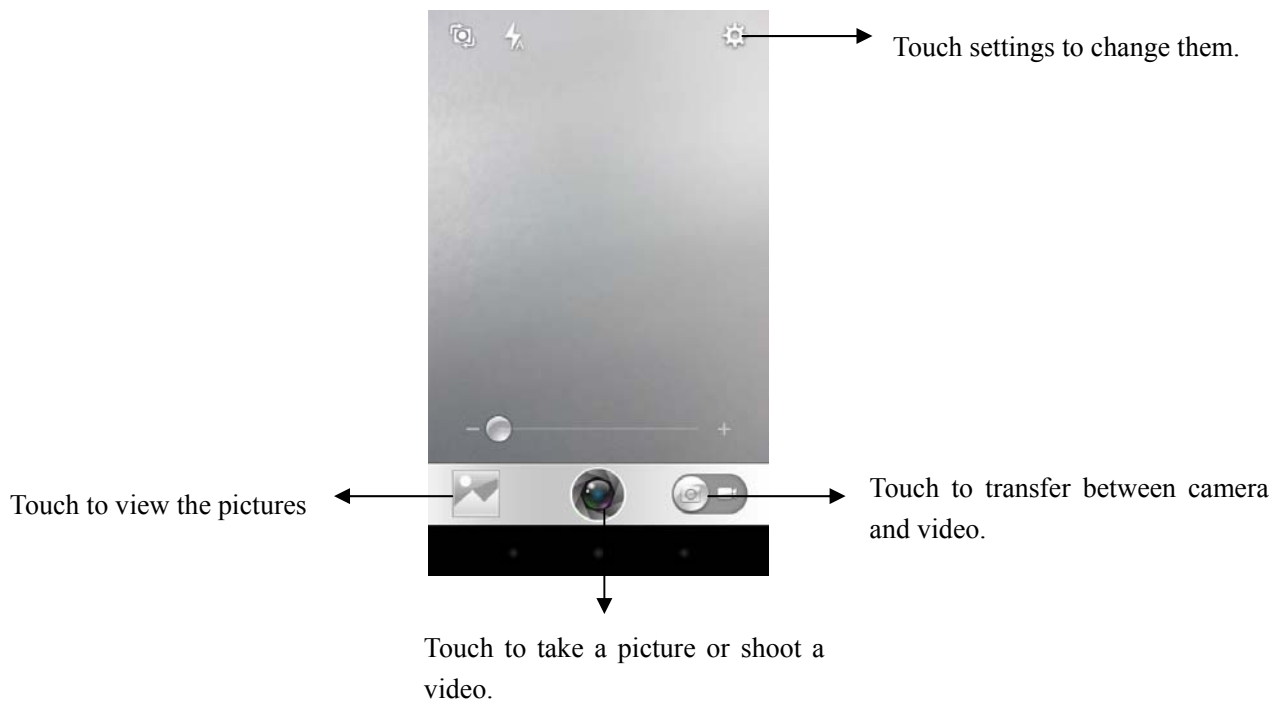
You can use this phone to exchange text messages and multimedia messages with your friends on their mobile phones. The messages to and from the same contact or phone number will into a single conversation, so you can see your entire message history with a person conveniently.

6. Multimedia

6.1 Camera

Camera is a combination camera and camcorder that you use to shoot and share pictures and videos.

6.1.1 Take a picture



- Adjust your exposure, flash, and other settings if you wish. Or leave them on automatic.
- Frame your subject on screen.
- Touch the Shutter icon on screen.

6.1.2 To shoot a video

- If necessary, drag the control to the video position
- Adjust the quality, color effect, flash, and other settings if you wish. Or leave them on automatic.
- Point the lens to frame the scene where you want to start.
- Touch the Start Video icon. Camera starts shooting the video.
- Touch Stop video icon to stop shooting. An image from your most recent video is displayed as a thumbnail at the bottom right.

6.2 View albums

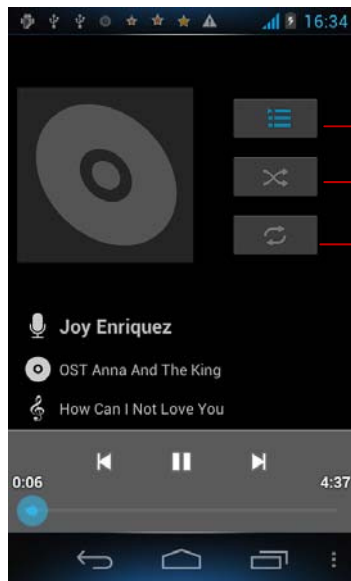
Touch the Gallery icon in the Launcher to view albums of your pictures and videos. Gallery presents the pictures and videos on your SD card, including those you've taken with Camera and those you downloaded from the web or other locations.

You can do the following operations:

- To share pictures: you can share your pictures through MMS, Bluetooth, and so on.
- To delete pictures: You can delete the pictures you are viewing.
- To get details about the picture: You can view more details about the picture.

6.3 Music

You use Music to organize and listen to music and other audio files that you transfer to your SD card from your computer.



- Touch to open the current playlist
- Touch to shuffle the current
- Touch to repeat the current playlist; touch again to repeat the current track

7. Connecting to networks and devices

Your phone can connect to a variety of networks and devices, including mobile networks for voice and data transmission, Wi-Fi data networks, and Bluetooth devices, such as headsets. You can also connect your phone to a computer, to transfer files from your phone's SD card, and share your phone's mobile data connection via USB.

7.1 WLAN

WLAN is a wireless networking technology that can provide internet access at distance of up to 100 meters, depending on the Wi-Fi router and your surroundings. You can configure the WLAN as follow:

- **Main menu--> Settings-->WLAN**, check **WLAN** to turn it on.
- Enter **WLAN**. The phone scans for available Wi-Fi networks and displays the names of those it finds. Secured networks are indicated with a Lock icon. If the phone finds a network, you connected previously, It connects to it.
- Touch a network to connect to it.
If the network is open, you are prompted to confirm that you want to connect to that network by touching connect.
If the network is secured, you're prompted to enter a password or other credentials

7.2 Bluetooth

Bluetooth is a short-range wireless communications technology that devices can use to exchange information over a distance of about 10 meters. The most common Bluetooth devices are headphones for making calls or listening to music, hands-free kits for cars , and other portable device, including laptops and cell phones.

7.2.1 To send a file

- **Main menu--> settings-->Bluetooth**, check **Bluetooth** to turn it on.
- Enter **File manager** to select a file and long press it, Select **Send--> Bluetooth**.
- Touch **Scan for devices**, the phone will scan for and display the IDs of all available Bluetooth devices in range.
- Touch the ID of the other device in the list to pair them. After paired the file will be sent.

7.2.2 To receive a file

- **Main menu--> settings-->Bluetooth**, check **Bluetooth** to turn it on. Ensure the **Bluetooth settings--> Discoverable** is on.
- After paired, the phone will receive the file. The file you received will save to the "Bluetooth" file folder on the SD card.

7.2.3 To connect to a Handsfree device

- **Main menu--> settings--> Bluetooth**, Select "**Search**";
- Turn on the Handsfree device, Select the Handsfree device in the list to pair.
- After paired, you can use the Handsfree device to listen music and receive call.

7.3 Connecting to a computer via USB

You can connect your phone to a computer with a shielded USB cable, to transfer music, pictures, and other files between your phone's SD card and the computer.

When connecting your phone to a computer and mounting its SD card, you must follow your computer's instructions for connecting and disconnecting USB devices, to avoid damaging or corrupting the files on your SD card.

You can't share your phone's data connection and SD card via USB cable at the same time. If you are using USB tethering, you must turn that off first.

7.3.1 To connect your phone to a computer via USB

1. Use the USB cable that came with your phone to connect the phone to a USB port on your computer. You receive a notification that the USB is connected.
2. Open the notification panel and touch **USB connected**.
3. Touch **Turn on USB storage** in the screen that opens to confirm that you want to transfer files. When the phone is connected as USB storage, the screen indicates that USB storage is in use and you receive a notification. Your phone's SD card is mounted as a drive on your computer. You can now copy files to and from the SD card.

During this time, you can't access the SD card from your phone, so you can't use applications that rely on the SD card, such as camera, Gallery, and Music. You also can't share your phone's data connection with your computer via USB.

7.3.2 To disable phone calls (Airplane mode)

Some locations may require you to turn off your phone's mobile, Wi-Fi, and Bluetooth wireless connections. You can turn off all these wireless connections at once by placing your phone in Airplane mode.

1. Press & hold the **Power** button
2. Touch **Airplane mode**.

8. Warnings and notes

Operational Warnings

IMPORTANT INFORMATION ON SAFE AND EFFICIENT OPERATION. Read this information before using your phone. For the safe and efficient operation of your phone, observe these guidelines:

Potentially explosive at atmospheres: Turn off your phone when you are in any areas with a potentially explosive atmosphere, such as fueling areas (gas or petrol stations, below deck on boats), storage facilities for fuel or chemicals, blasting areas and areas near electrical blasting caps, and areas where there are chemicals or particles (Such as metal powders, grains, and dust) in the air.

Interference to medical and personal Electronic Devices: Most but not all electronic equipment is shielded from RF signals and certain electronic equipment may not be shielded against the RF signals from your phone.

Audio Safety: This phone is capable of producing loud noises which may damage your hearing. When using the speaker phone feature, it is recommended that you place your phone at a safe distance from your ear.

Other Media Devices, hospitals: If you use any other personal medical device, consult the manufacture of your device to determine if it is adequately shielded from external RF energy. Your physician may be able to assist you in obtaining this information. Turn your phone OFF in health care facilities when any regulations posted in these areas instruct you to do so. Hospitals or health care facilities may be using equipment that could be sensitive to external RF energy.

Product statement on handling and use: You alone are responsible for how you use your phone and any consequences of its use.

You must always switch off your phone wherever the use of a phone is prohibited. Use of your phone is subject to safety measures designed to protect users and their environment. Always treat your phone and its accessories with care and keep it in a clean and dust-free place

Do not expose your phone or its accessories to open flames or lit tobacco products.

Do not expose your phone or its accessories to liquid, moisture, or high humidity.

Do not drop, throw, or try to bend your phone or its accessories

Do not use harsh chemicals, cleaning solvents, or aerosols to clean the device or its accessories.

Do not attempt to disassemble your phone or its accessories; only authorized personnel must do so.

Do not expose your phone or its accessories to extreme temperatures, minimum 32° and maximum 113°(0° to 45°).

Battery: Your phone includes an internal lithium-ion or lithium-ion polymer battery. Please note that use of certain data applications can result in heavy battery use and may require frequent battery charging. Any disposal of the phone or battery must comply with laws and regulations pertaining to lithium-ion or lithium-ion polymer batteries.

Faulty and damaged products: Do not attempt to disassemble the phone or its accessory. Only qualified personnel must service or repair the phone or its accessory. If your phone or its accessory has been submerged in water, Punctured, or subjected to a severe fall, do not use it until you have taken it to be checked at an authorized service center.

FCC Regulations:

● This mobile phone complies with part 15 of the FCC Rules. Operation is subject to the following two conditions: (1) This device may not cause harmful interference, and (2) this device must accept any interference received, including interference that may cause undesired operation.

Part 15.19

● This mobile phone has been tested and found to comply with the limits for a Class B digital device, pursuant to Part 15 of the FCC Rules. These limits are designed to provide reasonable protection against harmful interference in a residential installation. This equipment generates, uses and can radiated radio frequency energy and, if not installed and used in accordance with the instructions, may cause harmful interference to radio communications. However, there is no guarantee that interference will not occur in a particular installation. If this equipment does cause harmful interference to radio or television reception, which can be determined by turning the equipment off and on, the user is encouraged to try to correct the interference by one or more of the following measures:

- Reorient or relocate the receiving antenna.
- Increase the separation between the equipment and receiver.
- Connect the equipment into an outlet on a circuit different from that to which the receiver is connected.
- Consult the dealer or an experienced radio/TV technician for help.

Changes or modifications not expressly approved by the party responsible for compliance could void the user's authority to operate the equipment.

▶ RF Exposure Information (SAR)

This mobile phone meets the government's requirements for exposure to radio waves.

This phone is designed and manufactured not to exceed the emission limits for exposure to radio frequency (RF) energy set by the Federal Communications Commission of the U.S. Government.

The exposure standard for wireless mobile phones employs a unit of measurement known as the Specific Absorption Rate, or SAR. The SAR limit set by the FCC is 1.6W/kg. *Tests for SAR are conducted using standard operating positions accepted by the FCC with the phone transmitting at its highest certified power level in all tested frequency bands. Although the SAR is determined at the highest certified power level, the actual SAR level of the phone while operating can be well below the maximum value. This is because the phone is designed to operate at multiple power levels so as to use only the power required to reach the network. In general, the closer you are to a wireless base station, the lower the power output.

The highest SAR value for the model phone as reported to the FCC when tested for use at the ear is 1.24 W/kg and when worn on the body, as described in this user guide, is 0.831 W/kg (Body-worn measurements differ among phone models, depending upon available enhancements and FCC requirements.)

While there may be differences between the SAR levels of various phones and at various positions, they all meet the government requirement.

The FCC has granted an Equipment Authorization for this model phone with all reported SAR levels evaluated as in compliance with the FCC RF exposure guidelines. SAR information on this model phone is on file with the FCC and can be found under the Display Grant section of <http://www.fcc.gov/oet/fccid> after searching on FCC ID: YHLBLUVIVO43.

For body worn operation, this phone has been tested and meets the FCC RF exposure guidelines for use with an accessory that contains no metal and the positions the handset a minimum of 1.5 cm from the body. Use of other enhancements may not ensure compliance with FCC RF exposure guidelines. If you do not use a body-worn accessory and are not holding the phone at the ear, position the handset a minimum of 1.5 cm from your body when the phone is switched on.